

**SPECIFICATIONS  
FOR  
RAHWAY RIVER PARK DIVE TANK DEMOLITION  
CITY OF RAHWAY, COUNTY OF UNION, NEW JERSEY  
BA#25-2017; UNION COUNTY ENGINEERING PROJECT #2017-001  
APRIL 2017**

**UNION COUNTY OFFICIALS  
BOARD OF CHOSEN FREEHOLDERS**

Bruce H. Bergen, Chairman  
Sergio Granados, Vice Chairman  
Linda Carter, Freeholder  
Angel G. Estrada, Freeholder  
Christopher Hudak, Freeholder  
Mohamed S. Jalloh, Freeholder  
Bette Jane Kowalski, Freeholder  
Alexander Mirabella, Freeholder  
Vernell Wright, Freeholder

**CLERK OF THE BOARD**  
James E. Pellettiere, RMC

**COUNTY MANAGER**  
Alfred J. Faella

**DEPARTMENT OF ENGINEERING, PUBLIC WORKS AND  
FACILITIES MANAGEMENT**  
Joseph A. Graziano, Sr., CPWM, Director

**COUNTY ENGINEER  
DIVISION OF ENGINEERING**  
Thomas O. Mineo, P.E.  
2325 South Avenue  
Scotch Plains, New Jersey 07076  
Telephone: (908) 789-3675  
Fax: (908) 789-3674

**PREPARED BY:**  
**Neglia Engineering Associates**  
1119 Raritan Road  
Clark, New Jersey 07066  
T: 201-939-8805  
F: 732-943-7249

**RAHWAY RIVER PARK DIVE TANK DEMOLITION  
CITY OF RAHWAY, COUNTY OF UNION, NEW JERSEY  
BA#25-2017; Union County Engineering Project #2017-001**

**TABLE OF CONTENTS**

Cover Sheet: County Officials  
NB-1: Notice to Bidders

**GENERAL SPECIFICATIONS**

Definitions

- Section 1: BID FORM
- Section 2: WITHDRAWAL OF BID DUE TO MISTAKE
- Section 3: QUALIFICATIONS OF BIDDERS AND REQUIRED SUBMISSIONS
- Section 4: INTERPRETATIONS AND ADDENDA
- Section 5: OBLIGATION OF BIDDER TO INSPECT SITE AND CONTRACT DOCUMENTS
- Section 6: BID AND PERFORMANCE GUARANTEE
- Section 7: COMMENCEMENT AND COMPLETION
- Section 8: BIDDER AFFIDAVIT
- Section 9: CLASSIFICATION AND QUALIFICATION OF BIDDERS
- Section 10: UNCOMPLETED CONTRACTS (BUILDING PROJECTS ONLY)
- Section 11: BID SECURITY
- Section 12: LABOR AND MATERIALS
- Section 13: INSURANCE REQUIREMENTS
- Section 14: INDEMNIFICATION REQUIREMENTS
- Section 15: ROYALTIES AND PATENTS
- Section 16: PLANS AND SPECIFICATIONS
- Section 17: GUARANTEE AGAINST DEFECTIVE WORK
- Section 18: TRAFFIC AND STREET MAINTENANCE
- Section 19: CONTRACTOR'S EMPLOYEES
- Section 20: OWNERSHIP DISCLOSURES REQUIRED
- Section 21: NON-COLLUSION AFFIDAVIT
- Section 22: EQUAL EMPLOYMENT OPPORTUNITY COMPLIANCES
- Section 23: COMPLIANCE WITH NEW JERSEY PREVAILING WAGE ACT
- Section 24: BRAND NAME OR EQUAL
- Section 25: LINES AND GRADES
- Section 26: NUMBER OF WORKING DAYS
- Section 27: PROMPT PAYMENT OF CONSTRUCTION CONTRACTS (NJ Prompt Payment Act)
- Section 28: STOPPING WORK ON ACCOUNT OF BAD WEATHER
- Section 29: ACCESS FOR OTHER CONTRACTORS
- Section 30: CONDEMNED MATERIALS AND WORK
- Section 31: STORAGE
- Section 32: FINAL CLEAN UP
- Section 33: SUB-LETTING OF WORK
- Section 34: SAFETY
- Section 35: QUALITY, SAFETY AND PERFORMANCE STANDARDS
- Section 36: MATTERS NOT MENTIONED IN CONTRACT DOCUMENTS
- Section 37: PERMITS
- Section 38: CONTRACTOR TO PROVIDE PROOF OF PAYMENT
- Section 39: CHANGE ORDERS
- Section 40: SUPPLEMENTAL WORK
- Section 41: FORM OF CONTRACT
- Section 42: PROGRESS PAYMENTS
- Section 43: INSPECTION
- Section 44: DAMAGES
- Section 45: LIQUIDATED DAMAGES
- Section 46: AFFIRMATIVE ACTION REQUIREMENTS
- Section 47: INVESTMENT ACTIVITIES WITH IRAN

## **GENERAL SPECIFICATIONS CONTINUED**

- Section 48: COMPLIANCE WITH THE PUBLIC WORKS CONTRACTOR REGISTRATION ACT  
(N.J.S.A. 34:11-56.48 et seq)
- Section 49: UTILITIES
- Section 50: MATERIAL COMPLIANCE AND SHOP DRAWINGS
- Section 51: PRECONSTRUCTION
- Section 52: DISPUTES UNDER THE CONTRACT
- Section 53: ORDINANCE NO. 557-2002 ADOPTED ON SEPTEMBER 5, 2002  
BY THE BOARD OF CHOSEN FREEHOLDERS
- Section 54: CONTRACTOR BUSINESS REGISTRATION CERTIFICATE  
(New Mandatory Requirement – Effective 1/18/2010)
- Section 55: BID PROTEST - LEGAL FEES AND COSTS
- Section 56: AMERICAN GOODS AND PRODUCTS WHERE POSSIBLE
- Section 57: NEW JERSEY PAY-TO-PLAY REQUIREMENTS
- Section 58: STATEMENT OF EQUIPMENT TO BE USED IN CONSTRUCTION
- Section 59: NEW JERSEY SALES AND USE TAX REQUIREMENTS

## **BIDDING DOCUMENTS**

- Bid Document Submission Checklist
- Bidding Documents
- Bid Form
- Consent of Surety
- Bidder Signature Page
- Bidder Disclosure Statement
- Subcontractor Identification Statement: List of Subcontractors
- Subcontractor Identification Certification
- Acknowledgement of Addendum
- Contractor Business Registration Certificate
- Affirmative Action Requirement
- Experience Statement
- Certificate of Bidder Showing Ability to Perform Contract
- Non-Collusion Affidavit
- Contractor Registration Advisement
- Americans with Disabilities Act
- Statement of Bidder's Qualifications
- Contractor Performance Record
- Affidavit Regarding List of Disbarred, Suspended or Disqualified Bidders
- Prior Negative Experience Questionnaire-Certification
- Contractor's Certification of Compliance - New Jersey Prevailing Wage Act
- Uncompleted Contracts Affidavit
- Certificate of Insurance Statement
- Collection of Use Tax on Sales to Local Governments Statement
- Time of Completion
- Disclosure of Investment Activities in Iran

## **NEW JERSEY PREVAILING WAGE DETERMINATION DOCUMENTS**

### **SS - STANDARD SPECIFICATIONS SS-1**

#### **STANDARD FORM OF AGREEMENT BETWEEN OWNER AND CONTRACTOR AIA DOCUMENT A-101/2007**

(Draft form until contract is awarded)

#### **GENERAL CONDITIONS OF THE CONTRACT FOR CONSTRUCTION AIA DOCUMENT A-201/2007**

(Draft form until contract is awarded)

**COUNTY OF UNION  
NOTICE TO BIDDERS**

Sealed bids will be received by the director of the Division of Purchasing, or her designee, at the County of Union, New Jersey on April 13, 2017 at 10:30 a.m., prevailing time, in the 3<sup>rd</sup> Floor Conference Room, U.C. Administration Building, 10 Elizabethtown Plaza, Elizabeth, New Jersey for:

**RAHWAY RIVER PARK DIVE TANK DEMOLITION  
CITY OF RAHWAY, COUNTY OF UNION, NEW JERSEY  
BA#25-2017; UNION COUNTY ENGINEERING PROJECT #2017-001**

Bid Packages may be obtained at no charge by registering and downloading at <http://ucnj.org/bid-specs>. Bid Packages may also be obtained in person from the Division of Engineering at 2325 South Avenue, Scotch Plains, New Jersey 07076 between 8:30 a.m. and 4:00 p.m. weekdays upon payment of a non-refundable money order or bank check in the amount of \$275.00 made payable to the County of Union. No Personal / Company checks will be accepted. Requests for mailing of specifications will not be honored. For further information please call 908-789-3675.

Bidders on this project are required to be classified by the State of NJ, Division of Property Management and Construction (DPMC) under classification(s) # C008 or C009 as well as other documentary requirements in the INSTRUCTION TO BIDDERS found in the bid specification. If the Bidder himself does not have the required classification(s) as stated above, the Bidder must include and identify a subcontractor(s), of any tier, who has the required classification(s) in the List of Subcontractors.

The County reserves the right to reject any and all bids and to waive any and all informalities in the bid.

Bids shall be submitted in a sealed envelope and clearly marked with the subject of the bid, name and address of the bidder, phone & fax number, and date of the bid opening. Each bid must be delivered to reach the Division of Purchasing prior to the stated time of the opening of the bids. The County will not be responsible for late delivery by the U.S. Mail or any other carrier. If hand delivered, please note that parking and security access at the County Complex may cause delays and bidders should take them into consideration in order to submit a timely bid. **No** late bids will be accepted.

Bidders are required to comply with the requirements of N.J.S.A. 10:5-31 et seq. and N.J.S.A.C. 17:27.

**Laura M. Scutari, QPA, MPA, Director of Purchasing**

**UNION COUNTY BOARD  
OF CHOSEN FREEHOLDERS**  

---

***We're Connected to You!***

NB-1



**UNION COUNTY BOARD OF CHOSEN FREEHOLDERS  
INSTRUCTIONS TO BIDDERS AND FORMS**

**DEFINITIONS**

Wherever reference is made to the County, Title of Project, Bidder, or Vendor/Contractor they shall be as follows:

**OWNER/COUNTY:**

Union County Board of Chosen Freeholders  
UC Administration Building, 6<sup>th</sup> Floor  
10 Elizabethtown Plaza  
Elizabeth, New Jersey 07207

**ADDRESS BIDS AND SUBMIT TO:**

Union County Division of Purchasing  
UC Administration Building, 3<sup>rd</sup> Floor  
10 Elizabethtown Plaza  
Elizabeth, NJ 07207  
Attn: Laura M. Scutari, QPA, MPA, Director, Division of Purchasing  
Telephone: 908-527-4130  
Facsimile: 908-558-2548

**TITLE OF PROJECT: Rahway River Park Dive Tank Demolition  
City of Rahway, County of Union, New Jersey  
BA#25-2017; UC Engineering Project #2017-001**

**BIDDER: Bidder shall be a single overall contract bidder**

**ENGINEER: Neglia Engineering Associates  
1119 Raritan Road  
Clark, New Jersey**

**COUNTY ENGINEER AND/OR CONSTRUCTION MANAGER (as applicable):**

**COUNTY ENGINEER:**

Thomas O. Mineo, P.E.  
Union County  
Division of Engineering  
2325 South Avenue  
Scotch Plains, NJ 07076  
Office: (908) 789-3675  
Facsimile: (908) 789-3674  
Email: [tmineo@ucnj.org](mailto:tmineo@ucnj.org)

**CONSTRUCTION MANAGER:**

## GENERAL SPECIFICATIONS

### 1. BID FORM

Bids for this Work will be enclosed in a sealed envelope addressed to the Purchasing Division, County of Union, New Jersey, Union County Administration Building, 10 Elizabethtown Plaza, Elizabeth, New Jersey 07207, with the full name of the Project clearly marked on the outside. Refer to the sheet marked "Notice of Bid (Advertisement)" for the correct name of the Project. Bidders must submit their bids on the attached pricing sheet (Bid Form), in a sealed envelope addressed to the County and bearing on the outside: the name of the Bidder, Bidder's business address, and the title of the Project.

The Division of Purchasing will receive the bids for this Work at the Union County Administration Building, 10 Elizabethtown Plaza, Elizabeth, New Jersey on the date and time noted on the sheet marked "**Notice of Bid (Advertisement)**".

The County will not assume responsibility for bids forwarded by mail. It is the individual's responsibility to see that the bids are presented to the Purchasing Division at the time and at the place designated.

Bids will be accepted only on the Bid Form supplied. Bids on forms other than the original supplied herein will be rejected. The "complete" Bid Documents includes the Bid Bond, Bid Form, Bidder's Checklist, Consent of Surety, Ownership Disclosure Certification, Non-Collusion Affidavit, and any other documents noted in these Instructions to Bidders or Contract Document to be submitted with this Bid. (See AIA Owner/Contractor Agreement & General Conditions attached.)

The bidder will state in the bidding sheet the price per unit of measure for each scheduled Item of Work for which he will agree to carry out the Work, and the Total Bid Price for the construction of the Project.

The prices in the Bid Form shall be typed or written in pen and ink. Erasures or alterations must be initialed by the bidder in ink.

The bidding sheet for this Project may include a fixed amount as a Bid Allowance. If applicable, all bidders are required to add this fixed amount to their base bid and to include this additional amount in their Bid Bond. This sum will be included in the Contract as well as the performance, labor and materials bond. Payment by the County will be made to the Contractor from these funds only upon the completion of extra Work pursuant to a written Change Order(s) signed by the County's Engineer or his designee and the Contractor, prior to the commencement of such Work. Work commenced prior to written approval by the County shall be done at Contractor's risk. Such payment will only be in the amount agreed to by the parties, in writing in the

Change Order(s). See Section 39, Change Orders, of these general specifications for further details.

Refer to Bid Document Submission Checklist for all required documents.

In the event there is a discrepancy between the unit price given and the extended total, the unit price will govern. Any discrepancies will be mathematically adjusted.

Insert applicable alternates, if any have been specified, applicable to the Bidder's Work. All alternates MUST be bid upon. Any Bidder's failure to do so will be deemed a material, non-waivable defect and shall render the bid nonresponsive. The Bidder shall clearly designate whether the change in price is an addition or subtraction, by using either a "+" sign or the word "addition", or in the alternative, a "-" sign or the word "minus". If there is no other change in price, the Bidder shall insert "NC" or "No Charge".

When two or more low bids are equal in all respects, awards will be made according to the provisions of N.J.S.A. 40A:11-6.1(d).

Where unit prices have already been established by the Contract Documents, the Bidder agrees that such unit prices shall prevail. All unit prices, whether filled in by the Bidder or established by the Contract Documents, shall become part of the Contract. No bid will be considered or award made, unless applicable unit prices, as required, are filled in.

The County reserves the right to reject any or all bids and also reserves the right to waive any informality in the bids received so long as said waiver is not of a response which is considered to be material and non-waivable pursuant to law.

The County of Union has the right to reject any and all bids from any bidder that is in, or contemplates bankruptcy of any chapter of nature. Said bidder shall notify the County, in writing, of any condition or knowledge of the same.

Conditional bids will not be accepted. Bids may be withdrawn prior to the advertised time for the opening of bids or authorized postponement thereof or in accordance with the provisions of N.J.S.A. 40A:11-23.3 discussed below. Bids received after the advertised time shall not be considered. Bidders shall be solely responsible for premature opening or late delivery of bids not properly marked, addressed, or directed.

## **2. WITHDRAWAL OF BID DUE TO MISTAKE**

N.J.S.A. 40A:11-23.3 authorizes a bidder to request withdrawal of a public works bid due to a mistake on the part of the bidder. A mistake is defined by N.J.S.A. 40A:11-2(42) as a clerical error that is an **unintentional and substantial computational error**

**or an unintentional omission of a substantial quantity of labor, material, or both, from the final bid computation.**

A bidder claiming a mistake under N.J.S.A. 40A:11-23.3 must submit a request for withdrawal, **in writing**, by certified or registered mail to Michael M. Yuska, QPA, Director, Division of Purchasing, County of Union, New Jersey, Union County Administration Building, 10 Elizabethtown Plaza, Elizabeth, New Jersey 07207. The bidder must request withdrawal of a bid due to a mistake, as defined by the law, within five business days after the receipt and opening of the bids. Since the bid withdrawal request shall be effective as of the postmark of the certified or registered mailing, Michael M. Yuska, QPA, Director of the Division of Purchasing or his designee may contact all bidders, after bids are opened, to ascertain if any bidders wish to, or already have exercised a request to withdraw their bid pursuant to N.J.S.A. 40A:11-23.3.

A bidder's request to withdraw the bid **shall** contain evidence, including any pertinent documents, demonstrating that a mistake was made. Such documents and relevant written information shall be reviewed and evaluated by the County's designated staff pursuant to the statutory criteria of N.J.S.A. 40A:11-23.3.

The County will not consider any written request for a bid withdrawal for a mistake, as defined by N.J.S.A. 40A:11-2(42), by a bidder in the preparation of a bid proposal unless the postmark of the certified or registered mailing is within the five business days following the opening of bids.

### **3. QUALIFICATIONS OF BIDDERS AND REQUIRED SUBMISSIONS**

The County may make such investigation as it deems necessary to determine the ability of the Bidders to perform the Work, which includes investigation of any and all subcontractors listed with the bid. The Bidder shall furnish any information and data for this purpose as the County may request.

### **4. INTERPRETATIONS AND ADDENDA**

Any explanation desired by a bidder regarding the meaning or interpretation of the Contract Documents must be requested in writing to the County Engineer or Design Professional as the case may be and with reasonable time allowed for a reply to reach bidders before submission of their bids. Any interpretation or instruction made by the County Engineer will be in the form of an addendum to the Contract Documents or clarification and will be furnished to all prospective bidders. Oral explanations or instructions given before the award of the Contract will not be binding. Bidders are required to bring to the attention of the County Engineer, the discovery of any apparent ambiguity, inconsistency, error, discrepancy, omission in the Contract Documents for interpretation and correction at least ten (10) working days before opening of bids with the exception of Saturdays, Sundays and holidays.

All Addenda issued through the Offices of the County Engineer are amendments to the Contract Documents and shall be considered in preparing bids. Same shall become part of the Contract Documents.

Addenda take precedence over all earlier documents and over each other according to the latest date. Addenda unless themselves interpretive remain subject to interpretation the same as any other document incorporated in the Contract.

Addenda may be issued by the County Engineer up to seven (7) working days prior to the opening of bids. Failure of any bidder to receive an addendum shall not relieve such bidder from the obligation imposed by such addendum. Bidders are to keep themselves currently acquainted with the Contract Documents during the entire bidding period and make inquiry on their own initiative as to issuance of any Addenda. Receipts of all Addenda shall be acknowledged on the "*Acknowledgement of Receipt of Changes*" included in the bid package and must be submitted with the bid.

## **5. OBLIGATION OF BIDDER TO INSPECT SITE AND CONTRACT DOCUMENTS**

At the time of the opening of bids, each Bidder will be presumed to have inspected the site(s) and to have read, and be thoroughly familiar with the Contract Documents. The failure or neglect of any Bidder to receive or examine any form, instrument, or document shall in no way relieve any Bidder from any obligation in respect to its bid.

The Bidder shall examine the contents of the Project Manual and the set of Drawings and assure itself that all pages of the Specifications, Drawings, and other Contract Documents are included in the documents obtained for bidding purposes. Should the Specifications, Drawings, and other Contract Documents be incomplete, the Bidder shall notify the County Engineer in writing, who will supply the Bidder with any missing pages of Specifications, Drawings, or other Contract Documents. The lack of such written notification by the Bidder will be construed as evidence that the Specifications, Drawings, or other Contract Documents supplied it for bidding purposes are full and complete and as a waiver of any subsequent claim to the contrary.

## **6. BID AND PERFORMANCE GUARANTEE**

Each bidder must furnish a Bid Bond, Certified Check or Bank Cashier's Check in the amount of ten percent (10%) of the Bid. Checks shall be drawn to the order of the County of Union, New Jersey, not to exceed \$20,000.

Each bidder must furnish with the bid a certificate from a Surety Company, i.e. Consent of Surety, stating that in the event of the contract being awarded to said bidder,

such Surety Company will provide the Contractor with Bonds guaranteeing the faithful performance of the Work in accordance with the plans and specifications, and the payment for labor, materials, and all other indebtedness which may accrue on the account of this Work. A Performance, Labor and Materials bond will be furnished by the Contractor upon an award of Contract, and will be in the amount of 100% of the contract price.

A one-year Maintenance Bond will be required upon acceptance of the Project by the County in the amount as stated in Section 17 of the General Specifications. Bonds will be written by a firm authorized to issue the bonds under the laws of the State of New Jersey and be in a form acceptable to the County Counsel.

N.J.S.A. 40A:11-1.1 et. seq. allows the prime Contractor to furnish the Performance Security for his Subcontractors. The County of Union requires Performance Security to be furnished by the prime contractor for the entire job in the total amount of the contract.

The County of Union shall award the contract or reject all bids within sixty (60) days; except that the bids of any bidders who consent thereto may, at the request of the County be held for consideration for such longer periods as may be agreed.

The County will return all certified checks or cashier's checks after the proposals have been opened, read, tabulated and checked except those of the three (3) bidders who have bid the lowest total price for carrying out the Project. The County will return the checks of these bidders when a contract is awarded to the successful bidder within ten (10) days after the award of the contract.

If the successful bidder refuses or neglects to sign the said Agreement and furnish the required bonds, the Bid Bond will be held and used by the County to offset any damages for such refusal or neglect.

## **7. COMMENCEMENT AND COMPLETION**

Work will not commence until a Notice to Proceed is received from the County Engineer.

Upon substantial completion of the Project, the Contractor must request a joint inspection with the County Engineer. Upon completion of this inspection, the County Engineer will prepare a list of incomplete or incorrect items (punch list) and have Contractor initial and date same. The Contractor shall rectify all deficiencies noted on the punch list within 30 calendar days of receipt of the list. The County Engineer may approve extensions for extenuating circumstances.

## **8. BIDDER AFFIDAVIT**

**G-6**

Revised: 2016.08.30

All Bidders are required to complete, sign, and submit with their Bid, the attached "Affidavit Regarding List of Debarred, Suspended or Disqualified Bidders". (See form enclosed)

## **9. CLASSIFICATION AND QUALIFICATION OF BIDDERS**

Pursuant to Ordinance Number 557-2002 as adopted by the County on September 5, 2002, all bidders on contracts for public works shall be classified and qualified in accordance with NJSA 40A:11-25 as well as NJSA 52:35-1 et. seq. (See Section 52 of the General Specifications)

This provision shall not apply to subcontractors.

## **10. UNCOMPLETED CONTRACTS (BUILDING PROJECTS ONLY)**

The Bidder shall submit a current Classification/Prequalification Certificate and accompanying form(s) indicating the dollar amount of uncompleted contracts, and a notarized and itemized list of these uncompleted contracts in the form provided, with their bid. (See form enclosed)

## **11. BID SECURITY**

All Bidders are required to submit a form of Bid Security with their bids.  
(Bid Bond or Certified Funds)

The Bid Security shall be in the amount of ten percent (10%) of the Bid, but not in excess of Twenty Thousand Dollars (\$20,000.00), and payable to the order of the "County of Union."

## **12. LABOR AND MATERIALS**

The prices will cover all costs of any nature incident to and growing out of the Work, including all labor, material, equipment, transportation, loss by damage or destruction of the Project, settlement of damages, and for replacement of defective work or materials. N.J.S.A. 54:32B-1 et seq. exempts all materials sold to the County of Union from sales or use taxes and should not be included in the prices provided on the Bidding Sheet.

## **13. INSURANCE REQUIREMENTS**

The County of Union requires all contractors to be able to comply with the following insurance requirements. In the event a bid is accepted by the County, the

contractor must accept the applicable insurance requirements, as set forth below, as part of any contract awarded to it by the County.

Contractor shall carry and maintain at all times while the contract is in full force and effect, the following insurance coverage with an insurance company or companies acceptable to the County, with limits not less than those shown below. A Certificate of Insurance, shall be filed with the County prior to commencement of any Work indicating the following:

- a) Commercial General Liability (CGL): Coverage for all operations including, but not limited to, contractual, products and completed operations, and personal injury with limits no less than \$5,000,000 per occurrence/\$10,000,000 aggregate. The County of Union, its Board of Chosen Freeholders, officers, employees, agents and servants shall be included as an additional insured. Coverage is provided on a primary and on-contributory basis to the County of Union, et al.
- b) Automobile Liability: Coverage for all owned, non-owned and hired vehicles with limits not less than \$5,000,000 per occurrence, combined single limits (CSL) or its equivalent.
- c) Workers Compensation: As required by the State of New Jersey and Employers Liability with limits not less than \$1,000,000 per accident for bodily injury or disease.
- d) Professional Liability (if design/build): Coverage with limits not less than \$1,000,000 per occurrence or claim, \$2,000,000 aggregate
- e) Contractor's Pollution Legal Liability and/or Asbestos Legal Liability and/or Errors & Omissions (if project involves environmental hazards): Coverage with limits no less than \$1,000,000 per occurrence or claim/\$2,000,000 aggregate.
- f) Builders Risk (for major renovations): During the course of construction utilizing an "All Risk" coverage form with limits equal to the completed value of the project and no coinsurance penalty provisions.

Where applicable, a waiver of subrogation in favor of the County of Union, its Board of Chosen Freeholders, officers, employees, agents, servants and the State of New Jersey is to be included in those policies of insurance where permitted by law.

Notice of Cancellation: Each insurance policy required above shall provide that coverage shall not be canceled, except with notice to the Entity.



Special Risks or Circumstances: The County reserves the right to modify these requirements, including limits, based on the nature of the risk, prior experience, insurer, coverage, or other special circumstances.

#### **14. INDEMNIFICATION REQUIREMENTS**

The County of Union requires all bidders to accept the following indemnification requirements in the event the County accepts their bid. The Contract awarded by the County to the successful bidder will contain the following provision:

“To the fullest extent permitted by law the Contractor shall indemnify and hold harmless the owner and the owner’s consultants, agents, representatives, and employees from and against any and all claims, damages, losses, costs, and expenses, including, but not limited to attorneys’ fees, legal costs and legal expenses arising out of or resulting from the performance of the Contractor’s work under this contract, provided that such claim, damage, loss, cost, or expense is attributable to bodily injury, sickness, disease or death, or to injury to or destruction of tangible property (other than the work itself) caused or alleged to be caused by the negligent acts, negligent omissions, and/or fault of the Contractor, anyone directly or indirectly employed or retained by the Contractor, or anyone for whose acts the Contractor may be liable regardless of whether caused in part by the negligent act or omission of a party indemnified hereunder provided it is not caused by the sole negligence of a party indemnified hereunder. Contractor shall further indemnify and hold harmless the County and the County’s consultants, agents, representative, and employees from and against any and all claims, damages, losses, costs, and expenses, including, but not limited to attorneys’ fees, legal costs and legal expenses, arising out of or resulting from performance of the work, provided that such claim, damage, loss, cost, or expense is attributable to bodily injury, sickness, disease or death, or to injury to or destruction of tangible property (other than the work itself) caused or alleged to be caused by the negligent acts, negligent omissions, and/or fault of the County or the County’s consultants, agents, representatives, or employees and arises out of this project and provided such claim, damage, loss, cost, or expense is not caused by the sole negligence of a party indemnified hereunder.”

#### **15. ROYALTIES AND PATENTS**

The Contractor shall pay all royalties and license fees. He shall defend all suits or claims for infringement of any patent rights and shall hold the County harmless from loss on account thereof.

#### **16. PLANS AND SPECIFICATIONS**

In carrying out the Work, the plan(s) and the specifications will be followed by the Contractor. Minor alterations in the plan may be made or permitted by the County Engineer from time to time and, if no additional Work is necessary, there will be no additional charge for carrying out such minor alterations.

The Contractor shall provide the County Engineer a set of reproducible as-built drawings upon completion of the Project. The Contractor shall maintain an updated construction progress plan in the Project field office at all times.

When applicable, The New Jersey Department of Transportation Standard Specifications for Road and Bridge Construction, as amended, and Supplemental Specifications for State Aid Projects, herein after referred to as the "Standard Specifications", are made a part of these specifications and contract for the improvements, and will govern the construction of this Project, the material used and the execution of this Project, except as revised and modified herein. The references to these specifications are given herein for the purpose of aiding in the rapid location of the description of the various items herein specified. The entire Work must be carried on and completed to the satisfaction of the County. The Standard Specifications are amended as follows:

"Any reference to the Commissioner, Department, Department Laboratory, Engineer or Inspector should be redefined to be the County of Union".

## **17. GUARANTEE AGAINST DEFECTIVE WORK**

Prior to final payment being made or before the release of the performance security required by Section 3 above, the Contractor and Surety shall execute and deliver to the County an original Maintenance Bond with an original signature and seal having a penal sum equal to:

- A) One hundred percent (100%) of the final adjusted Contract amount, if such amount is \$50,000.00 or less;
- B) Fifty percent (50%) of the final adjusted Contract amount, if such amount be greater than \$50,000.00 but less than \$250,000.00; and,
- C) Twenty-five percent (25%) of the final adjusted contract amount, if such amount is \$250,000.00 or more.

The Bond and Surety shall be satisfactory to the Union County Counsel. The Surety shall hold a Certificate of Authorization to do business in the State of New Jersey and shall conform to P.L. 1995 c.384, codified as N.J.S.A. 2A:44-143, 144. The Surety Disclosure Statement and Certification required by N.J.S.A. 2A: 44-143, 144, shall be attached to the Bond. Such Maintenance Bond shall remain in full force and effect for a period of one (1) year from the date of Final Completion. Such Maintenance Bond shall also provide that the Contractor and the Surety guarantee to replace for the said period

of one (1) year from the date of Final Completion, all Work performed and/or all materials furnished that were not performed or were not furnished in accordance to the terms and performance requirements of the Contract Documents, and will make good any defects thereof which become apparent before the expiration of one (1) year. If, during that period, any part of the Project, in the judgment of the Engineer, is found defective, the Contractor will repair or replace same within five (5) days of receipt of notice from the County Engineer. If the Contractor refuses or neglects to do such Work in the time specified, the County Engineer may have the Work done by others and the Contractor or his Surety thereof will pay the cost.

The Contractor will furnish the County a Maintenance Bond for a percentage of the final adjusted contract price, as stated above. The one (1) year period will start the day of Final Completion of Project by the County. Final payment is conditional on the receipt of a maintenance bond in a form acceptable to County Counsel.

## **18. TRAFFIC AND STREET MAINTENANCE**

The Work must be started and performed by the Contractor in such a manner as to minimize delays to the traveling public. It must be completed in a timely fashion, with little or no inconvenience to traffic and pedestrians, where such inconvenience may be avoided.

All municipal, county, and state roadways shall remain open to traffic unless otherwise provided for in the technical specifications.

If modified traffic patterns are authorized in order to provide a safe working or traveling environment, the Contractor is responsible for providing all equipment, barrels, cones, signs, and barricades to implement the work zone and detours, unless otherwise specified in the technical specifications. All work zones and detours shall be established in accordance with the technical plans and specifications if provided or in strict compliance with the current version of the Manual for Uniform Traffic Control Devices (MUTCD). The Contractor shall obtain approval for these work zones and detour plans from the Municipal Police or applicable police agency and the Union County Bureau of Traffic Maintenance prior to implementation.

All traffic control plans shall provide for safe movement of vehicular, bicycle, and pedestrian traffic. Particular attention shall be given to requirements of the Americans with Disabilities Act.

No portion of any street or alleyway may be used for the storage of any materials or equipment without the approval of the Municipal Police or other applicable police agency. Sidewalks, gutters, drains, fire hydrants and private drives shall be maintained for their intended use unless specifically approved by the County Engineer.

Upon suspension of Work, at the end of the day or for protracted periods, the Contractor shall remove all rubbish and materials from the Work site to the approved storage/staging location. All road cuts, saw cuts, and trenches that may pose hazard to vehicular, pedestrian, or bicycle traffic, to include handicapped users, shall be filled to the surface of the roadway or sidewalk. At no time will steel plates or settled trenches be allowed at the daily suspension of Work, unless specifically approved by the County Engineer.

Use of Traffic Control Officers shall be determined by the County in accordance with the provisions of N.J.S.A. 40A:11-23.1(c). If applicable to the Project, the County shall have provided an allowance for same as set forth in the Bid Form.

With respect to pedestrian traffic, the Contractor shall install signs restricting access of the general public and, as necessary, Union County employees to the area of construction. The Contractor shall provide safe access to required areas and place physical barriers to restricted areas. These barriers may range from caution tape to actual barriers, at the direction of the County Engineer.

## **19. CONTRACTOR'S EMPLOYEES**

The Contractor must employ only suitable and competent labor in the Work, and must remove from the Work any incompetent, unsuitable, or disorderly person upon complaint from the County Engineer.

The parties to any contract resulting from this proposal do hereby agree that the provisions of N.J.S.A. 10:2-1 through 10:2-4 (discrimination in employment on public works contracts): 34:11-56.25 et seq. (payment of prevailing rate of wages determined pursuant to N.J.S.A. 34:11-56.30 by the Commissioner), and the Rules and Regulations promulgated pursuant thereto, are hereby made a part of any contract and are binding upon them.

There will be no discrimination against any employee who is employed in the Work to be covered by any contract resulting from this bid because of age, race, creed, color, national origin, ancestry, marital status or sex.

Any person, firm, or corporation violating the provisions of this Section will be deemed and judged a disorderly person.

## **20. OWNERSHIP DISCLOSURES REQUIRED**

Pursuant to P.L. 1977, N.J.S.A. 52:25-24.2, the Bidder shall submit with its Bid, or prior to receipt of bids, a statement setting forth the names and addresses of all stockholders in the corporation or partnership bidding who own ten percent (10%) or greater interest therein. (See forms attached)

## **21. NON-COLLUSION AFFIDAVIT**

The Bidder shall submit with its bid either the attached completed “Non-Collusion Affidavit” or a statement of non-collusion with verbiage similar to same.

## **22. EQUAL EMPLOYMENT OPPORTUNITY COMPLIANCES**

The successful bidder shall be required to complete and submit an Initial Project Workforce Report, New Jersey Department of Treasury Form AA-201, upon notification of award. Failure to submit this completed form may result in the Contract being terminated.

The successful bidder shall also be required to submit a copy of its Monthly Project Workforce Report, New Jersey Department of Treasury Form AA-202, to the New Jersey Department of Treasury’s Division of Public Contracts Equal Employment Opportunity Compliance and to the Board.

## **23. COMPLIANCE WITH NEW JERSEY PREVAILING WAGE ACT**

The County of Union, in order to fulfill the requirements of N.J.S.A. 34:11-56a.25 et seq, requires that the following additional conditions be strictly followed. The bidders represent that he is not listed or is not on record in the Office of the Commissioner or the Department of Labor and Industry as one who failed to pay prevailing wages in accordance with the provisions of this Act. The bidder agrees to the inclusion of a contract provision upon award which specifically requires said Contractor to fully comply with each and all of the requirements of the aforesaid Act as it relates to prevailing rates of wages on public contracts as set forth in the New Jersey Prevailing Wage Act, P.L. 1963, Chapter 150 and P.L. 1974, Chapter 64.

A Copy of the Prevailing Wage Rates is attached for your reference. Applicable rates are those wages and fringe benefit rates in effect on the date the contract is awarded. All predetermined rate increases listed at the time the contract award must also be paid, beginning on the dates specified. Rates may change between the time of issuance of this determination and the award of the public works contract. Therefore, prior to the award of the contract, verification must be made with the Public Contracts section, to insure that the rates contained in this determination are still prevailing.

The Contractor agrees to abide and be bound by each and all of the said statutory provisions with respect to the payment of prevailing rates of wages, and acknowledges that the County reserves the right to terminate the Contractor’s (or his subcontractors’) right to proceed with the scope of Work, or such portion thereof that relates to the failure to pay prevailing rates of wages. In such event or under the terms

of N.J.S.A. 34:11-56.27, the Contractor and his surety will be liable to the County of Union for any excess costs occasioned by such a violation.

The Contractor or subcontractors for this Project will post the Prevailing Wage Rates for each craft and classification involved as determined by the Commissioner of Labor and Industry, including the effective date of any changes thereof, in prominent and easily accessible places at the site of the Work or at such place or places as are used by them to pay workmen their wages.

The County of Union requires a copy of payroll records from the Contractor and subcontractors. Payroll records shall be submitted with each voucher request for payment. Prevailing wage rates may be obtained from the New Jersey Labor, Division of Workplace Standards, Public Contracts Section, (609-292-2259).

In addition to compliance with the New Jersey Prevailing Wage Act, the County requires compliance with procedures established by Resolution No. 2014-0408 adopted by the Union County Board of Chosen Freeholders on May 8, 2014. The resolution is furnished in Section 53 of these General Specifications.

#### **UNION LABOR IS PREFERRED ON ALL COUNTY WORK**

The foregoing reference to specific laws will not be deemed to be a limitation of obligation of the Contractor to perform his obligations in full compliance with the provisions and requirements of all federal and state statutes and local ordinances applicable to the Work to be done under the contract.

It is agreed and understood that any contracts and/or orders placed as a result of this proposal will be governed and construed and the rights and obligations of the parties hereto will be determined in accordance with the laws of the State of New Jersey.

Upon completion of the Work, the Contractor will furnish a Certification of Compliance with the New Jersey Prevailing Wage Act. The certificate in a form acceptable to County Counsel is a condition of the final payment. (See form attached)

#### **24. BRAND NAME OR EQUAL**

When the Specifications, Forms, and other Contract Documents use “brand name or equivalent” or similar language, the listed brand name shall serve as a reference or point of comparison for the functional or operational characteristic desired for the goods or services being requested. Where a bidder attempts to submit an equivalent product for a brand name, it shall be the responsibility of the bidder to fully describe and document the product to be provided with the bid in order to establish the equivalence claim.

- A. If the Bidder proposes to offer substitute goods as an equal to those specified herein, the bidder shall so indicate with the Bid Proposal. For the purposes of this paragraph, a proposed item shall be considered equal to goods specified herein if:
1. The County, in its sole discretion, determines that: (i) the goods conform substantially, even with deviations, to the brand name goods specified herein; (ii) the goods are equal to or greater than the brand name goods specified herein in terms of quality, durability, functionality, appearance, strength and design; (iii) the goods are capable, at least as well as the brand name goods specified herein, or performing with existing equipment; and (iv) the goods do not cost the County more than the brand name goods specified herein costs the County.
- B. To offer substitute goods as an equal to those specified herein, it is necessary that:
1. The Bidder submits sufficient information with its bid to permit the County to determine that the goods are equivalent to the brand name goods specified herein, including, but not necessarily limited to the brand, catalog number and specifications/data sheets;
  2. The Bidder fully identifies and describes the variations of the goods from the brand name goods specified herein on a separate sheet that is to be submitted with the bid proposal. Bidder's literature WILL NOT suffice in explaining exceptions to these specifications.
  3. The Bidder certifies that the goods (i) are similar in substance to the brand name goods specified, and (ii) are suited to the same use as the item specified;
- C. The County shall be allowed a reasonable time within which to evaluate the Bidder's proposal to offer substitute goods as an equal to those specified herein. The County shall be the sole judge of acceptability. No "or-equal" goods shall be ordered, delivered, assembled, set-up or utilized until the County's evaluation is complete. The County's determination as to equivalency shall be deemed final and absolute.

In the event the Bidder does not provide sufficient supporting documentation with the bid, it will be presumed and required that the brand name goods and services as described in the specifications will be provided.

## **25. LINES AND GRADES**

Normally, horizontal and vertical control points will be provided in the technical specifications. All other surveying will be the responsibility of the Contractor unless otherwise noted.

## **26. NUMBER OF WORKING DAYS**

In accordance with NJSA 40A:11-17, the Work for the within Project shall be completed as specified on the Time of Completion Form. See form attached.

There shall be taken a deduction from the contract price, or any wages paid by the County, to any inspector(s) necessarily employed by it on the Work, for any number of days in excess of the number allowed in the specifications.

## **27. PROMPT PAYMENT OF CONSTRUCTION CONTRACTS (NJ Prompt Payment Act)**

Pursuant to NJSA 2A:30A-1 et. seq., payment to the Contractor, other than for Work done pursuant to a contact allowance, where applicable, shall be processed and paid as follows:

1. All contractor bills shall be either approved for payment, or notice provided as to why the bill or any portion of it will not be approved by the representative(s) of the governing body no later than the public meeting following 20 calendar days of the billing date as defined in the statute.
2. If the billing is approved, said bill shall be paid in the payment cycle following the meeting.

## **28. STOPPING WORK ON ACCOUNT OF BAD WEATHER**

Work must only be performed in weather suitable for the type of construction planned or underway. Extremes in temperature, humidity, precipitation, evaporation, etc. can detrimentally affect the constructed product. Refer to the Standard and Technical Specifications for specific items.

## **29. ACCESS FOR OTHER CONTRACTORS**



The Contractor for this Work will give proper access to other contractors who may be employed upon the Project and must not hinder or delay unnecessarily any Work that may be progressing under other contracts.

### **30. CONDEMNED MATERIALS AND WORK**

Any materials and or part of the Work that may be condemned by the County Engineer will be removed and replaced by the Contractor or otherwise rectified, as may be directed by the County Engineer. No payment will be made upon the Work until such faulty work has been made good as may be directed. In the event the Contractor refuses or neglects to make good such faulty work, he will be deemed to have abandoned the contract and proceedings may be taken against him as provided herein.

### **31. STORAGE**

In the event that it is necessary for the Contractor to stockpile or store materials or equipment on the job site, the Contractor shall inform the County of such necessity and the County may offer available space, if any, for storage of such materials or equipment. The Contractor shall use said space only for such purpose. Any and all materials which may be stored in such space or which may be brought onto the job site at any time by the Contractor will be at the Contractor's sole risk. The County will not be responsible for loss of or damage to said materials or equipment for any cause whatsoever. The Contractor shall take necessary measures to protect any such storage area and shall be responsible for any and all damages.

### **32. FINAL CLEAN UP**

Upon completion of the Work, the Contractor will remove all equipment, unused materials, rubbish, etc., and will repair, or replace in an a manner acceptable to the County Engineer, all areas that may have been damaged in the prosecution of the Work. Same shall be a condition precedent to final payment. Should said Contractor fail to comply with this requirement, the County shall undertake the clean-up with its own forces and charge the cost of same against the Contractor's contract balance.

### **33. SUB-LETTING OF WORK**

Except for the List of Subcontractors, pursuant to NJSA 40A:11-16 (See form attached), no portion of the Work will be sublet by the Contractor to any other entities, except with the consent of the County Engineer. A complete list of subcontractors must be submitted to the County Engineer at the preconstruction meeting. If the job does not warrant a preconstruction meeting, the Contractor must submit such list prior to the start of Work.

All Subcontractors will be subject to NJSA 34:11-56 et al.

N.J.S.A. 40A:11-16 requires the bidder to list in the bid sheets the name or names of all subcontractors involved in the following types of Work: plumbing and gas fitting and all kindred work, steam and hot water heating, ventilating apparatus, steam power plants and kindred work, electrical work, ornamental iron work, and structural steel. In addition, the County may require the identification of specific additional subcontractors. If these trades are expected to be part of the contract, such subcontractors should be listed on the "Subcontractor Identification Statement List of Subcontractors" and Bidder shall certify same on the accompanying sheet titled "Subcontractor Identification Certification". (See forms attached) **Bidder's failure to submit these two forms shall be considered a material defect and result in rejection of Bidder's bid.** Substitutions of any listed subcontractors pursuant to NJSA 40A:11-16 will not be permitted except with the consent of the County Engineer.

#### **34. SAFETY**

The Contractor shall observe all rules and regulations of the Federal, State, and local health officials. Attention is directed to Federal, State, and local laws, rules, and regulations concerning construction safety and health standards. The Contractor shall not require any worker to work in surroundings or under conditions that are unsanitary, hazardous, or dangerous to the worker's health or safety.

The Contractor shall admit to the site, without delay and without the presentation of an inspection warrant, any inspector of OSHA or other legally responsible agency involved in safety and health administration upon presentation of proper credentials.

The Contractor shall make available to the Contractor's employees, subcontractors, the County Engineer, and the public, all information pursuant to OSHA 29 CFR Part 1926.59 of The Hazard Communication Standard 29 CFR 1910.1200, and shall also maintain a file on each job site containing all Material Safety Data Sheets (MSDS) for products in use at the Project. These Material Safety Data Sheets shall be made available to the Engineer upon request.

The Contractor shall at all times conduct the Work to provide for the safety and convenience of the general public and protection of persons and property. The safety provisions of applicable laws, OSHA regulations, building and construction codes, and the rules and regulations of the New Jersey Department of Labor and Commerce shall be observed.

#### **35. QUALITY, SAFETY AND PERFORMANCE STANDARDS**

All goods and services must be constructed and provided with the highest quality materials and workmanship. It is the intent of these specifications that only equipment equal to, or exceeding, the standard specified will be acceptable in order to protect the safety of the occupants of the Building.

### **36. MATTERS NOT MENTIONED IN CONTRACT DOCUMENTS**

Any Work, material, or method, not specifically described in these specifications, but shown upon the plans of the Work, will be carried out as shown on said plan.

### **37. PERMITS**

The Contractor will obtain all necessary permits required by law and provide the County with necessary approvals prior to commencement of permitted Work.

### **38. CONTRACTOR TO PROVIDE PROOF OF PAYMENT**

Upon the completion of the Work, the Contractor will furnish a General Release as proof that all claims for labor, materials, etc., have been settled by the Contractor. The General Release, in a form acceptable to County Counsel, is a condition of final payment.

### **39. CHANGE ORDERS**

Change Order Procedures shall comply with *N.J.A.C. 5:30-11.1 et seq.*, "Change Orders and Open End Contracts" and subsequent provisions of the New Jersey Administrative Code.

### **40. SUPPLEMENTAL WORK**

In case any supplemental work is necessary, it will be performed by the Contractor at a price fixed by agreement between the Contractor and the County Engineer and approved by the County as specified in Section 38. The Contractor will do no supplemental work on any character, for which the Contractor will demand pay, except upon the written order of the County.

### **41. FORM OF CONTRACT**

Contracts will be let on the attached Form of Agreement Between County ("Owner") and Contractor (AIA 101), and General Conditions (AIA 201), as supplemented.

The Contract will be subject to all statutory provisions on the matter of Public Works, Public Contracts, The Law Against Discrimination, the Laws Governing Affirmative Action and Prevailing Rates of Wages under the laws of New Jersey.

The Agreements shall be executed by both parties not later than twenty-one (21) days from the date of the award by the County (Sundays and holidays excluded);

however, such time frame may be extended by agreement of the parties.

## **42. PROGRESS PAYMENTS**

Monthly progress payments will be made based on the value of labor and materials incorporated in the Work and of materials suitably stored at the site. An itemized schedule of values shall be submitted with each Application for Payment.

(Refer to the Owner/Contractor Agreement for Retainage and other conditions pertaining to payment and the application of NJSA 2A:30A-1 et. seq.)

All Applications for Payment shall be accompanied by paid invoices for materials incorporated in the Work and for materials suitably stored at the site, and affidavit(s) by Subcontractors whose Work was included in the next to the last application to the effect such Work and such materials have been paid for.

No payment shall be made without Contractor having provided all submittals set forth in this Section, and the approval of same by the County.

For contracts exceeding \$100,000.00, monthly payments will be made on the Work to the extent of 98% of the value of the Work done which is considered to be retainage.

For contracts less than \$100,000.00, monthly payments will be on the Work to the extent of 90% of the value of the Work done. In lieu of the retainage, the Contractor will, at his option, deposit with the County Counsel negotiable bearer bonds of the State of New Jersey or any political subdivision thereof, equal to the amount otherwise withheld as retainage.

When the Project is completed, the final cost of the Project will be based on actual quantities of authorized Work done under each item scheduled in the bidding sheet and approved Change Orders, if any. The money due to the Contractor as determined by said final certificate after deduction of previous monthly payments on account, will be paid to the Contractor in accordance with the terms of the contract dealing with Prompt Payment, providing, however that before such final payment is made, all outstanding claims against the Contractor must be satisfied. Before final payment is released, the Contractor must furnish: **a)** Maintenance Bond (see Section 17 of these general specifications); **b)** Certification of Compliance, New Jersey Prevailing Wage Act (see Sections 23 & 53); and **c)** General Release (see Section 38) in a form satisfactory to County Counsel; **d)** complete set of as-built plans in the latest AutoCad on compact disc; and **e)** a complete set of in-progress photos in jpg, jpeg, or bmp digital format on a compact disc.

## **43. INSPECTION**

**G-20**

Revised: 2016.08.30

The Work must be done in accordance with the plans and specifications, and will be inspected by the County Engineer. An inspector may be placed upon the Work at any time by the County Engineer to see that the plans, specifications, and instructions of the County Engineer are carried out. In connection herewith, bidders are referred to N.J.S.A. 40A:11-17.

#### **44. DAMAGES**

The Contractor will be held responsible for all damages that may occur to Work, or to persons or property by reason of the nature of the Work or from the elements, or by reason of inadequate protection of the Work, or from any carelessness or negligence on his part or on the part of his employees. The County will withhold payments on the Work until all suits or claims for damages sustained on, or by reason of, this Work will have been settled by the Contractor.

The construction and final completion of this Work will be guaranteed by the Contractor. Any damages that may be done to the Work or any part thereof, by the elements or otherwise, during its construction, will be made good by the Contractor.

#### **45. LIQUIDATED DAMAGES**

If the Project is not completed within the time specified herein or within such further time as may have been granted by the County Engineer, then the Contractor hereby agrees to pay to the County as liquidated damages, but not as a penalty, \$1,000.00 per day for each and every calendar day that he is in default on time to complete the Work. The said sum will be deducted from moneys due the Contractor and if the damages exceed this amount, then the Contractor or his Surety Company will pay the excess. These damages may be waived at the option of the County.

#### **46. AFFIRMATIVE ACTION REQUIREMENTS**

##### **EXHIBIT B (Revised 4/10)**

##### **MANDATORY EQUAL EMPLOYMENT OPPORTUNITY LANGUAGE N.J.S.A. 10:5-31 et seq. (P.L. 1975, C. 127) N.J.A.C. 17:27**

#### **CONSTRUCTION CONTRACTS**

During the performance of this contract, the contractor agrees as follows:

The contractor or subcontractor, where applicable, will not discriminate against any employee or applicant for employment because of age, race, creed, color, national origin, ancestry, marital

status, affectional or sexual orientation, gender identity or expression, disability, nationality or sex. Except with respect to affectional or sexual orientation and gender identity or expression, the contractor will ensure that equal employment opportunity is afforded to such applicants in recruitment and employment, and that employees are treated during employment, without regard to their age, race, creed, color, national origin, ancestry, marital status, affectional or sexual orientation, gender identity or expression, disability, nationality or sex. Such equal employment opportunity shall include, but not be limited to the following: employment, up-grading, demotion, or transfer; recruitment or recruitment advertising; layoff or termination; rates of pay or other forms of compensation; and selection for training, including apprenticeship. The contractor agrees to post in conspicuous places, available to employees and applicants for employment, notices to be provided by the Public Agency Compliance Officer setting forth provisions of this nondiscrimination clause.

The contractor or subcontractor, where applicable will, in all solicitations or advertisements for employees placed by or on behalf of the contractor, state that all qualified applicants will receive consideration for employment without regard to age, race, creed, color, national origin, ancestry, marital status, affectional or sexual orientation, gender identity or expression, disability, nationality or sex.

The contractor or subcontractor will send to each labor union, with which it has a collective bargaining agreement, a notice, to be provided by the agency contracting officer, advising the labor union or workers' representative of the contractor's commitments under this act and shall post copies of the notice in conspicuous places available to employees and applicants for employment.

The contractor or subcontractor, where applicable, agrees to comply with any regulations promulgated by the Treasurer, pursuant to N.J.S.A. 10:5-31 et seq., as amended and supplemented from time to time and the Americans with Disabilities Act.

When hiring or scheduling workers in each construction trade, the contractor or subcontractor agrees to make good faith efforts to employ minority and women workers in each construction trade consistent with the targeted employment goal prescribed by N.J.A.C. 17:27-7.2; provided, however, that the Division may, in its discretion, exempt a contractor or subcontractor from compliance with the good faith procedures prescribed by the following provisions, A, B and C, as long as the Division is satisfied that the contractor or subcontractor is employing workers provided by a union which provides evidence, in accordance with standards prescribed by the Division, that its percentage of active "card carrying" members who are minority and women workers is equal to or greater than the targeted employment goal established in accordance with N.J.A.C. 17:27-7.2. The contractor or subcontractor agrees that a good faith effort shall include compliance with the following procedures:

(A) If the contractor or subcontractor has a referral agreement or arrangement with a union for a construction trade, the contractor or subcontractor shall, within three business days of the contract award, seek assurances from the union that it will cooperate with the contractor or subcontractor as it fulfills its affirmative action obligations under this contract and in accordance with the rules promulgated by the Treasurer pursuant to N.J.S.A. 10:5-31 et seq., as supplemented and amended from time to time and the Americans with Disabilities Act. If the contractor or subcontractor is unable to obtain said assurances from the

construction trade union at least five business days prior to the commencement of construction work, the contractor or subcontractor agrees to afford equal employment opportunities minority and women workers directly, consistent with this chapter. If the contractor's or subcontractor's prior experience with a construction trade union, regardless of whether the union has provided said assurances, indicates a significant possibility that the trade union will not refer sufficient minority and women workers consistent with affording equal employment opportunities as specified in this chapter, the contractor or subcontractor agrees to be prepared to provide such opportunities to minority and women workers directly, consistent with this chapter, by complying with the hiring or scheduling procedures prescribed under (B) below; and the contractor or subcontractor further agrees to take said action immediately if it determines that the union is not referring minority and women workers consistent with the equal employment opportunity goals set forth in this chapter.

(B) If good faith efforts to meet targeted employment goals have not or cannot be met for each construction trade by adhering to the procedures of (A) above, or if the contractor does not have a referral agreement or arrangement with a union for a construction trade, the contractor or subcontractor agrees to take the following actions:

(1) To notify the public agency compliance officer, the Division, and minority and women referral organizations listed by the Division pursuant to N.J.A.C. 17:27-5.3, of its workforce needs, and request referral of minority and women workers;

(2) To notify any minority and women workers who have been listed with it as awaiting available vacancies;

(3) Prior to commencement of work, to request that the local construction trade union refer minority and women workers to fill job openings, provided the contractor or subcontractor has a referral agreement or arrangement with a union for the construction trade;

(4) To leave standing requests for additional referral to minority and women workers with the local construction trade union, provided the contractor or subcontractor has a referral agreement or arrangement with a union for the construction trade, the State Training and Employment Service and other approved referral sources in the area;

(5) If it is necessary to lay off some of the workers in a given trade on the construction site, layoffs shall be conducted in compliance with the equal employment opportunity and non-discrimination standards set forth in this regulation, as well as with applicable Federal and State court decisions;

(6) To adhere to the following procedure when minority and women workers apply or are referred to the contractor or subcontractor:

(i) The contractor or subcontractor shall interview the referred minority or women worker.

(ii) If said individuals have never previously received any document or certification signifying a level of qualification lower than that required in order to perform the work of the construction trade, the contractor or subcontractor shall in good faith determine the qualifications of such individuals. The contractor or subcontractor shall hire or schedule those individuals who satisfy

appropriate qualification standards in conformity with the equal employment opportunity and non-discrimination principles set forth in this chapter. However, a contractor or subcontractor shall determine that the individual at least possesses the requisite skills, and experience recognized by a union, apprentice program or a referral agency, provided the referral agency is acceptable to the Division. If necessary, the contractor or subcontractor shall hire or schedule minority and women workers who qualify as trainees pursuant to these rules. All of the requirements, however, are limited by the provisions of (C) below.

(iii) The name of any interested women or minority individual shall be maintained on a waiting list, and shall be considered for employment as described in (i) above, whenever vacancies occur. At the request of the Division, the contractor or subcontractor shall provide evidence of its good faith efforts to employ women and minorities from the list to fill vacancies.

(iv) If, for any reason, said contractor or subcontractor determines that a minority individual or a woman is not qualified or if the individual qualifies as an advanced trainee or apprentice, the contractor or subcontractor shall inform the individual in writing of the reasons for the determination, maintain a copy of the determination in its files, and send a copy to the public agency compliance officer and to the Division.

(7) To keep a complete and accurate record of all requests made for the referral of workers in any trade covered by the contract, on forms made available by the Division and submitted promptly to the Division upon request.

(C) The contractor or subcontractor agrees that nothing contained in (B) above shall preclude the contractor or subcontractor from complying with the union hiring hall or apprenticeship policies in any applicable collective bargaining agreement or union hiring hall arrangement, and, where required by custom or agreement, it shall send journeymen and trainees to the union for referral, or to the apprenticeship program for admission, pursuant to such agreement or arrangement. However, where the practices of a union or apprenticeship program will result in the exclusion of minorities and women or the failure to refer minorities and women consistent with the targeted county employment goal, the contractor or subcontractor shall consider for employment persons referred pursuant to (B) above without regard to such agreement or arrangement; provided further, however, that the contractor or subcontractor shall not be required to employ women and minority advanced trainees and trainees in numbers which result in the employment of advanced trainees and trainees as a percentage of the total workforce for the construction trade, which percentage significantly exceeds the apprentice to journey worker ratio specified in the applicable collective bargaining agreement, or in the absence of a collective bargaining agreement, exceeds the ratio established by practice in the area for said construction trade. Also, the contractor or subcontractor agrees that, in implementing the procedures of (B) above, it shall, where applicable, employ minority and women workers residing within the geographical jurisdiction of the union.

After notification of award, but prior to signing a construction contract, the contractor shall submit to the public agency compliance officer and the Division an initial project workforce report (Form AA 201) electronically provided to the public agency by the Division, through its website, for distribution to and completion by the contractor, in accordance with N.J.A.C. 17:27-7. The contractor also agrees to submit a copy of the Monthly Project Workforce Report once a month thereafter for the duration of this contract to the Division and to the public agency



compliance officer.

The contractor agrees to cooperate with the public agency in the payment of budgeted funds, as is necessary, for on-the-job and/or off-the-job programs for outreach and training of minorities and women.

(D) The contractor and its subcontractors shall furnish such reports or other documents to the Division of Public Contracts Equal Employment Opportunity Compliance as may be requested by the Division from time to time in order to carry out the purposes of these regulations, and public agencies shall furnish such information as may be requested by the Division of Public Contracts Equal Employment Opportunity Compliance for conducting a compliance investigation pursuant to **Subchapter 10 of the Administrative Code (NJAC 17:27)**.

**[REMAINDER OF PAGE INTENTIONALLY LEFT BLANK]**

#### **47. INVESTMENT ACTIVITIES WITH IRAN**

Pursuant to P.L. 2012, c.25, codified as NJSA 52:32-55 *et seq.*, prohibits State and local public contracts with persons or entities engaging in certain investment activities in energy or finance sectors of Iran.

#### **48. COMPLIANCE WITH THE PUBLIC WORKS CONTRACTOR REGISTRATION ACT - (NJSA 34:11-56.48 *et. seq.*)**

Pursuant to the above-referenced law, Bidders are required to be registered with the New Jersey Department of Labor and to possess a current certificate by said Department indicating compliance with the Act prior to the time and date that bids are received. Bidders are notified of this requirement of their compliance. Such certificates or applications shall also be provided for each Subcontractor furnishing plumbing and gas fitting, steam and hot water heating and ventilating apparatus, and all kindred work, steam power plants and kindred work, electrical work, structural steel and ornamental iron work, and such other subcontractors as the specifications require relative to prior identification.

#### **49. UTILITIES**

Attention of the bidder is directed to the fact that the approximate locations of known utility structures and facilities that may be encountered within and adjacent to the limits of the Work are shown on the plans and described herein. The accuracy and completeness of this information is not guaranteed by the County Engineer and the bidder is advised to ascertain for himself all the facts concerning the location of these and other utilities.

The Contractor will not proceed with his Work until he has made diligent inquiries of all public utility and municipal officials to determine the exact location of all underground structures and pipes within the site of the Project. The Contractor will notify utility owners not less than ten (10) days in advance of the time he proposes to perform any Work that will endanger or affect their facilities in compliance with **New Jersey One-Call**. In excavating in any part of the Work, care must be taken not to remove or damage any gas, water, sewer, or other pipe, conduit, or structure, - public or private - without the concurrence of the owner and the County Engineer. The Contractor will, at his own expense, shore up, secure and maintain a continuous flow in such structures, and will keep them in repair until final acceptance of the Work.

When pipes or other structures are encountered or when the removal, relocation or protection of these utilities are necessary in carrying out the Project as planned, the Contractor will cooperate with the owner of said utilities and will permit the owners or their agents access to the site of the Work in order to relocate or protect their facilities and not hinder or delay unnecessarily the Work of the owners in moving same. No extra

allowance of payment will be made to the Contractor for the use of any materials, equipment, etc., or for the performance of any Work in connection with the moving of said structures unless the Contractor is specifically ordered by the County Engineer to furnish such materials, equipment, or services. If directed by the County Engineer to do any Work or furnish any materials or equipment, payment will be allowed the Contractor in accordance with the unit prices bid for such Work, or, if such items are not scheduled in the proposal, such Work shall be allowed "Supplemental Work" as provided in Section 39 of these general specifications. The corporations, companies, agencies or municipalities owning or controlling the utilities, and the name, and telephone numbers are listed in the beginning of the Technical Specifications.

## **50. MATERIAL COMPLIANCE AND SHOP DRAWINGS**

The Contractor will require the manufacturer or supplier to furnish three (3) copies of Certification of Compliance with each delivery of materials, components and manufactured items for the Project. Two (2) copies will be furnished to the County Engineer; one copy will be retained by the Contractor. Certificates of Compliance will contain the following information:

1. Project to which material is consigned;
2. Name of the Contractor to which the material is supplied;
3. Kind of material supplied;
4. Quantity of material represented by the Certificate;
5. Means of identifying the consignment, such as label marking, seal number, etc.;
6. Date and method of shipment;
7. That the material is in conformity with the pertinent specifications stated in the certificate; and
8. Signature of a person having legal authority to bind the supplier.

The Contractor will submit to the County Engineer for his approval five (5) copies of complete and fully detailed shop or working drawings for those items listed in the beginning of the technical specifications.

Each drawing will identify the name of the job, location and Contractor.

All drawings will be approved in accordance with the standard specifications. Refer to the Technical Specifications for specific items.

All materials or articles used in the Work will be of American manufacture, insofar as same are available, in conformance with N.J.S.A. 40A:11-18.

## **51. PRECONSTRUCTION**

In order to provide full coordination of this Project among the parties concerned, the County Engineer will arrange for a preconstruction meeting between the Contractor, County Engineer and other interested parties as soon as possible after the contract is executed. At this meeting the Contractor will present his proposed schedule of Work which shall be subject to review and approval of the County through its designated representatives.

## **52. DISPUTES UNDER THE CONTRACT**

A dispute arising under the Contract shall be submitted in writing to the County Engineer with all facts and supporting data. The County Engineer will review the dispute and issue his decision or request additional facts or documentation after which he will render his decision.

In the event the dispute is not then resolved, the matter shall, pursuant to law, be submitted to mediation before being submitted to a court of competent jurisdiction venued in Union County.

The County Engineer will notify the County Counsel when a matter is to be submitted to mediation. The County Counsel will communicate with the parties and inform them of the procedures to be followed in making such a submission.

**[REMAINDER OF PAGE INTENTIONALLY LEFT BLANK]**

**53. ORDINANCE NO. 557-2002 ADOPTED ON SEPTEMBER 5, 2002  
BY THE BOARD OF CHOSEN FREEHOLDERS**

Ordinance No. 557-2002 adopted on September 5, 2002 by the Board of Chosen Freeholders on Preclassification of Bidders by the NJDPMC (if applicable) pursuant to Ordinance No. 557-2002, the County of Union requires all bidders on projects for the construction, reconstruction, demolition, alteration, repair or maintenance of public buildings to be preclassified by the State of New Jersey, Department of Treasury, Division of Property Management and Construction ("DPMC").

Bidders must provide proof of classification in the form of a Certificate/Notice of Classification from the DPMC showing a sufficient aggregate rating to cover their bid amount, which is active on the date of receipt of these bids. Further, Bidder must also provide proof of preclassification in the applicable/appropriate trade code necessary for Work on the Project.

**AN ORDINANCE IN ACCORDANCE WITH N.J.S.A. 40A:11-25 ESTABLISHING REASONABLE REGULATIONS APPROPRIATE FOR CONTROLLING THE QUALIFICATIONS OF PROSPECTIVE BIDDERS UPON CONTRACTS TO BE AWARDED ON BEHALF OF THE CONTRACTING UNIT, BY THE CLASS OR CATEGORY OF GOODS AND SERVICES TO BE PROVIDED OR PERFORMED AND FIXING THE QUALIFICATIONS REQUIRED ACCORDING TO THE FINANCIAL ABILITY AND EXPERIENCE OF THE BIDDERS AND THE CAPITAL AND EQUIPMENT AVAILABLE TO THEM PERTINENT TO AND REASONABLY RELATED TO THE CLASS AND CATEGORY OF SERVICE TO BE PERFORMED IN THE PERFORMANCE OF ANY SUCH CONTRACT.**

**WHEREAS**, N.J.S.A. 40A:11-25 provides that the governing body of any contracting unit may establish reasonable regulations appropriate for controlling the qualifications of prospective bidders upon contracts to be awarded on behalf of the contracting unit, by the class or category of goods and services to be provided or performed; and

**WHEREAS**, N.J.S.A. 40A:11-25 also states that the regulations established by the governing body may fix the qualifications required according to the financial ability and experience of the bidders and the capital and equipment available to them pertinent to and reasonably related to the class and category of service to be performed in the performance of any such contract; and

**WHEREAS**, N.J.S.A. 40A:11-25 also requires that prior to the adoption of any such regulations, a contracting unit shall submit them to a public hearing and notice and a general description of the subject matter shall be published in not less than two newspapers; and

**WHEREAS**, N.J.S.A. 52:35-1 et seq. and 18A:18A-27 et seq. establish qualifications for the experience and financial abilities of bidders and the capital and equipment available to them relative to the specific services to be performed; and

**WHEREAS**, currently state officials, under the Department of Treasury, Division of Property Management and Construction, classify all prospective bidders as to the character and

amount of public works on which they shall be qualified to submit bids and bids shall be accepted only from persons qualified in accordance with such classifications; and

**WHEREAS**, application for classification is open to all Contractors, regardless of the size of the business; and

**WHEREAS**, classification is based on general standards equally applicable to all Contractors; and

**WHEREAS**, classification is expressed in terms of trade and an aggregate rating determined on the basis of experience, financial ability, equipment and capital; and

**WHEREAS**, generally aggregate ratings can range from 0 to \$200,000.00; and

**WHEREAS**, the County of Union will determine the aggregate rating it will require on contracts depending on the size and expense of the Project, but at no time shall the required aggregate rating exceed \$25,000,000.00 for any one project; and

**WHEREAS**, such provisions are of considerable benefit to the County and to bidders by insuring that such bidders have the requisite experience, expertise and resources necessary to effectively perform the terms and conditions of the contract:

**BE IT ORDAINED** by the Board of Chosen Freeholders of the County of Union that it formally adopts as **Policy** that all prospective bidders for building construction projects be classified in accordance with the Department of Treasury – Division of Property Management and Construction pursuant to N.J.S.A. 52:35-1 et seq. and N.J.S.A. 18A:18A-27 et seq.

**BE IT FURTHER ORDAINED** that the Board of Chosen Freeholders of the County of Union hereby adopts the classification of bidders by the New Jersey Department of Treasury, Division of Property Management and Construction as a reasonable regulation for controlling the qualifications of prospective bidders upon contracts to be awarded for construction on behalf of the County of Union.

**BE IT FURTHER ORDAINED** that the provisions of this ordinance are severable. To the extent any clause, phrase, sentence, paragraph or provision of this ordinance shall be declared invalid, illegal or unconstitutional, the remaining provisions shall continue to be in full force and effect.

**BE IT FURTHER ORDAINED** that a public hearing shall be held on this ordinance on September 5, 2002 at the meeting of the Board of Freeholders, County Administration Building, Elizabeth, New Jersey.

**BE IT FURTHER ORDAINED** that the Clerk of the Board of Freeholders of the County is hereby directed to publish and post notice of this ordinance as required by law.

**BE IT FURTHER ORDAINED** that within 10 days hereof the Clerk of the Board of Freeholders of the County shall forward certified copies of this ordinance to the County Manager, Director of Finance, County Counsel, and Division of Local Government Services.

This ordinance shall take effect twenty (20) days after final adoption and publication in accordance with applicable law.

#### **54. CONTRACTOR BUSINESS REGISTRATION CERTIFICATE New Mandatory Requirement -Effective 1/18/2010**

The recently enacted **P.L. 2009, c.315**, requires that effective January 18, 2010; a contracting agency must receive proof of the bidder's business registration prior to the award of a contract. However, the proof must show that the bidder was in fact registered with the State of New Jersey Department of the Treasury, Division of Revenue and obtained the business registration prior to the receipt of bids.

If subcontractors are named on the bid, proof of the business registration for each subcontractor must be provided prior to the award of bid. Similarly to the bidder, the proof must show that each subcontractor was registered with the State of New Jersey Department of the Treasury, Division of Revenue and obtained the business registration prior to the receipt of bids.

Proof of business registration shall be

- A copy of a Business Registration Certificate issued by the Department of the Treasury, Division of Revenue; or
- A copy of the web version provided by the NJ Division of Revenue, or

Register online at <http://www.state.nj.us/treasury/revenue/busregcert.htm>. Click the "online" link and then select "Register for Tax and Employer Purposes or call the Division at 609-292-1730.

**Note: A NJ Certificate of Authority is not acceptable.**

**FAILURE** to submit proof of registration of the bidder or any subcontractor named on the bid prior to the award of contract shall be cause to reject the bid.

**FAILURE** of the bidder or any subcontractor named on the bid to be registered prior to the receipt of bids is cause for a **MANDATORY REJECTION** of bids. (A NON-WAIVABLE DEFECT). This covers construction Work as well as non-construction bids.

#### **IN ADDITION:**

*N.J.S.A. 52:32-44* imposes the following requirements on Contractors and all subcontractors that knowingly provide goods or perform services for a Contractor fulfilling this contract:

- 1) the Contractor shall provide written notice to its subcontractors and suppliers to submit proof of business registration to the Contractor;

- 2) subcontractors through all tiers of a project must provide written notice to their subcontractors and suppliers to submit proof of business registration and subcontractors shall collect such proofs of business registration and maintain them on file;
- 3) prior to receipt of final payment from a contracting agency, the Contractor must submit to the contacting agency an accurate list of all subcontractors and suppliers or attest that none was used; and,
- 4) during the term of this contract, the Contractor and its affiliates shall collect and remit, and shall notify all subcontractors and their affiliates that they must collect and remit, to the Director, New Jersey Division of Taxation, the use tax due pursuant to the Sales and Use Tax Act, (*N.J.S.A. 54:32B-1 et seq.*) on all sales of tangible personal property delivered into this State.

A Contractor, subcontractor or supplier who fails to provide proof of business registration or provides false business registration information shall be liable to a penalty of \$25 for each day of violation, not to exceed \$50,000 for each business registration copy not properly provided or maintained under a contract with a contracting agency. Information on the law and its requirements are available by calling (609) 292-9292.

**[REMAINDER OF PAGE INTENTIONALLY LEFT BLANK]**



## **55. BID PROTEST – LEGAL FEES AND COSTS**

In the event a Bidder unsuccessfully challenges a Bid Submission by filing an action in a court of law concerning same, said Bidder shall be responsible for payment of reasonable legal costs and fees incurred by the County relating to said protest.

## **56. AMERICAN GOODS AND PRODUCTS WHERE POSSIBLE**

Bidder shall comply with the requirements of NJSA 40A:11-18 and use only manufactured and farm products of the United States, wherever available, for the Project.

## **57. NEW JERSEY PAY-TO-PLAY REQUIREMENTS**

This Contract is required by law to be publicly advertised for bids. As such, lists of political contributions pursuant to NJSA 19A:44A-1 et. seq. are NOT REQUIRED to be provided with the bids.

## **58. STATEMENT OF EQUIPMENT TO BE USED IN CONSTRUCTION**

Pursuant to NJSA 40A:11-20 entitled Certificate of Bidder Showing Ability to Perform Contract, the County requires a Certification from all bidders submitting a bid showing that the Bidder owns, leases, or controls all necessary equipment required by the Project Plans and Specifications. All bidders shall provide this information at the time of the bid opening using the attached form entitled, "CERTIFICATE OF BIDDER SHOWING ABILITY TO PERFORM CONTRACT".

If the Bidder is not the actual owner of the equipment, it shall state the source from which the equipment will be obtained and shall attach a certificate from the owner or person in control of the equipment demonstrating that the equipment owner has granted the Bidder control of the requisite equipment during such time as may be necessary for completion of the portion of the contract for which the equipment is necessary.

## **59. NEW JERSEY SALES AND USE TAX REQUIREMENTS,**

Contractors are required to comply with the following:

New Jersey Sales and Use Tax Requirements: All contractors with subcontractors, or any of their affiliates, who enter into contracts for the provision of goods or services with or for New Jersey local government entities, are required to collect and remit to the New Jersey Director of Taxation in the Department of the Treasury the use tax due on all of their sales of tangible personal property delivered into the State of New Jersey

pursuant to the "Sales and Use Tax Act," (NJSA 54:32B-1 et, seq.), regardless of whether the tangible personal property is intended for a contract with the contracting agency. This tax shall be remitted for the term of the Contract.

For purposes herein "affiliate" shall mean any entity that: (a) directly, indirectly, or constructively controls another entity, (b) is directly, indirectly, or constructively controlled by another entity, or (c) is subject to the control of a common entity. For purposes of the immediately preceding sentence, an entity controls another entity if it owns, directly or indirectly, more than fifty percent (50%) of the ownership interest in that entity. NJSA 52:32-44(g)(3).

ALFRED J. FAELLA  
COUNTY MANAGER

LAURA M. SCUTARI, QPA, MPA  
DIRECTOR / DIVISION OF PURCHASING

**BID DOCUMENT SUBMISSION CHECKLIST**

ALL SIGNATURES AND SEALS SHALL BE ORIGINALS UNLESS OTHERWISE SPECIFIED  
BID SHEETS SHOULD NOT BE SUBMITTED DOUBLE SIDED PAGES, (SINGLE SIDE ONLY)

**EACH BIDDER SHOULD COMPLETE THIS FORM AND INITIAL EACH ENTRY.**

DATE COMPLETED: \_\_\_\_\_

**PLEASE SUBMIT BID DOCUMENTS ON SINGLE SIDED PAPER ONLY, WITH THE EXCEPTION OF THE SURETY AND BID BOND DOCUMENTS.**

**IN ACCORDANCE WITH THE BID SPECIFICATIONS I HAVE REVIEWED, COMPLETED / EXECUTED AND INCLUDED THE FOLLOWING FORMS:**

\_\_\_\_\_ Bid Form Page (**Signed, Dated and Bid on all alternatives applicable to the Work**).

\_\_\_\_\_ Security in the form of:

\_\_\_\_\_ Bid bond in an amount equal to 10% of the total amount of this bid not to exceed \$20,000.00; or

\_\_\_\_\_ Certified check or cashier's check in the amount of 10% of this bid not to exceed \$20,000.00

\_\_\_\_\_ Consent of Surety form signed by a Surety Company if the total amount of your Bid is over \$36,000.00. If your bid is accepted, the Surety Company that provided the Consent shall be required to furnish a Performance, Labor and Materials Bond in the amount of 100% of the award of the contract.

The County of Union has provided its Consent of Surety form for your use. The use of this form by your Surety Company will expedite the bid review process and eliminate the possibility of having your bid rejected. If, however, you should need to use another form, please use language similar to that used on the Union County form and avoid making any additions or deletions to the Union County form language. In lieu of the Consent of Surety you may submit a Certified Check in the full amount of the bid.

\_\_\_\_\_ STATEMENT OF BIDDER OWNERSHIP. Pursuant to N.J.S.A. 52:25-24.2, which includes **BOTH** of the following documents:

- Bidder Signature Page
- Bidder Disclosure Statement (**Fill out 2 pages completely**)

\_\_\_\_\_ SUBCONTRACTOR IDENTIFICATION. Pursuant to N.J.S.A. 40A:11-16, which includes **BOTH** of the following documents:

- Subcontractor Identification Statement: List of Subcontractors (**only for certain types of work**)
- Subcontractor Identification Certification

\_\_\_\_\_ Acknowledgement of Addendum form: (**This form is to be used only when an addendum has been added to the specifications**).

\_\_\_\_\_ A copy of the State of New Jersey Department of the Treasury, Division of Revenue, **Business Registration Certificate ("BRC")** should be included with the bids as it must be received by the County prior to the award of the contract. The BRC provided must show that the Bidder was registered at the time of receipt of bids or the bid will be rejected.

\_\_\_\_\_ A copy of the State of New Jersey Department of the Treasury, Division of Revenue, **Business Registration Certificate (“BRC”)** of all named or listed subcontractors (List of Subcontractors) in a Construction bid should be included with the bid as the BRC(s) must be received by the County prior to the award of the contract. Each subcontractor’s certificate provided must show that the subcontractor was registered at the time of the receipt of bids or the bid will be rejected.

\_\_\_\_\_ Affirmative Action Requirement

\_\_\_\_\_ Experience Statement

\_\_\_\_\_ Certificate of Bidder showing ability to perform Contract

\_\_\_\_\_ Non-Collusion Affidavit – Fill out completely and notarize

\_\_\_\_\_ Certificates from New Jersey Department of Labor – Public Works Contractor Registration Act. **(Only for certain types of work)**

\_\_\_\_\_ Federal Attachments **(If applicable)**

\_\_\_\_\_ NJDPMC Certificate / Notice of Classification **(If applicable)**

\_\_\_\_\_ Americans with Disabilities Act

\_\_\_\_\_ Statement of Bidder’s Qualifications

\_\_\_\_\_ Contractor Performance Record

\_\_\_\_\_ Affidavit Regarding List of Debarred, Suspended or Disqualified Bidders

\_\_\_\_\_ Prior Negative Experience Questionnaire

\_\_\_\_\_ Contractor’s Certification of Compliance – New Jersey Prevailing Wage Act

\_\_\_\_\_ Uncompleted Contracts Affidavit **(For Bidder, if applicable) MUST ALSO PROVIDE DPMC FORM 701**

\_\_\_\_\_ Certificate of Insurance Statement

\_\_\_\_\_ Collection of Use Tax on Sales to Local Government Statement

\_\_\_\_\_ Time of Completion

\_\_\_\_\_ Disclosure of Investment Activities in Iran form

**I HAVE TAKEN THE FOLLOWING ACTIONS:**

\_\_\_\_\_ Visited the site and attended the Pre-Bid Meeting **(Where applicable)**

\_\_\_\_\_ Reviewed the Contract Documents (including any permits the County or its professionals may have obtained), Work, Site, Locality, and Local Conditions and Laws and Regulations that in any manner may affect Cost, Progress, Performance or Furnishing of Work.

\_\_\_\_\_ Reviewed Bond Requirements

\_\_\_\_\_ Provided Proof of Compliance with New Jersey Prevailing Wage Act

\_\_\_\_\_ Reviewed Form of Owner/Contractor Agreement and General Conditions to the Contract

**NOTE: QUESTIONS PERTAINING TO THIS BID ARE TO BE DIRECTED TO DIVISION OF ENGINEERING AT 908-789-3675**

## **BIDDING DOCUMENTS**

The Bidding Documents consist of the following items:

- **ADDENDA, if issued**
- **CLARIFICATIONS, if issued**
- **INSTRUCTION TO BIDDERS**
- **BID FORM**
- **OWNER-CONTRACTOR AGREEMENT (AIA 101) AND GENERAL CONDITIONS (AIA 201)**
- **SPECIFICATIONS: As outlined in the Table of Contents and included in the Project Manual.**
- **DRAWINGS: As per List of Drawings, indicated on the Project Title Sheet.**

Bidder's Name \_\_\_\_\_

**BID FORM**

I/We have carefully examined the plans, specifications, and advertisement for bid for the

**RAHWAY RIVER PARK DIVE TANK DEMOLITION  
CITY OF RAHWAY, COUNTY OF UNION, NEW JERSEY  
BA #25-2017; Union County Engineering Project #2017-001**

that is on file in the Union County Division of Engineering. I/We have inspected the site of the work and will contract to do all the work and furnish all materials mentioned in said plans and specifications. Work will be accomplished in the manner prescribed therein.

**BASE BID ITEMS:**

ITEM	DESCRIPTION	UNIT	CONTRACT QUANTITY	UNIT PRICE	AMOUNT
1.	Mobilization/Demobilization	L.S.	1		
2.	Demolition and Backfill	L.S.	1		
3.	Site Restoration and Final Cleanup	L.S.	1		
4.	Water Connection Relocation	Allow.	1	\$5,000.00	\$5,000.00

\_\_\_\_\_  
Written

\_\_\_\_\_  
Figures

**BID CONTINGENCY: (To be used if and when directed by the County)**

**Fifteen Thousand Dollars and No Cents**

**\$15,000.00**

\_\_\_\_\_  
Written

\_\_\_\_\_  
Figures

**TOTAL BASE BID ITEMS PLUS BID CONTINGENCY AMOUNT:**

\_\_\_\_\_  
Written

\_\_\_\_\_  
Figures

**NOTE: Bid Contingency may include one-half of one percent of contract amount set aside for local training if and when directed by the County.**

Bidder's Name \_\_\_\_\_

**ALTERNATES:**

Alternates may be added to the Total Base Bid Amount. The bid will be awarded and / or alternate will be selected as follows:

- 1. Award Base Bid Only
- 2. Award Base Bid + Alternate No. 1

ALTERNATE NO. 1:

ITEM	DESCRIPTION	UNIT	CONTRACT QUANTITY	UNIT PRICE	AMOUNT
1.	Hot Mix Asphalt Pathway	S.Y.	1,000		

\_\_\_\_\_  
Written

\_\_\_\_\_  
Figures

Bidder's Name \_\_\_\_\_

**CONSENT OF SURETY**  
TO ACCOMPANY PROPOSAL (BID)

\_\_\_\_\_ (hereinafter called Surety), organized and existing under the laws of the State of \_\_\_\_\_ duly authorized and qualified to transact business in the State of New Jersey, in consideration of the sum of One Dollar (\$1.00), lawful money of the United States of America, to it in hand paid, receipt whereof is hereby acknowledged, and in consideration, hereby certifies and agrees that if the contract for which the attached proposal is made be awarded to \_\_\_\_\_ (hereinafter called Contractor) for the performance of certain work and labor or the supplying of certain materials, or both, as more particularly set forth in said proposal and described for purposes of this instrument as a proposal for \_\_\_\_\_ to the COUNTY OF UNION and if Contractor shall enter into the contract, Surety will become bound as surety for its faithful performance, labor and material payment and will provide the Contractor with a performance, labor and material payment bond in the full amount of the contract price.

**NOTE:**  
Expiration date  
Needed if Annual  
Surety

\_\_\_\_\_  
**NAME OF INSURANCE COMPANY**  
**ADDRESS:** \_\_\_\_\_  
\_\_\_\_\_  
\_\_\_\_\_

\_\_\_\_\_

\_\_\_\_\_  
**ORIGINAL SIGNATURE**  
**ATTORNEY-IN-FACT FOR INSURANCE CO.**

**NOTE: PROOF OF AUTHORITY OF OFFICERS OF SURETY COMPANY TO EXECUTE THIS DOCUMENT MUST BE SUBMITTED.**



**BIDDER SIGNATURE PAGE**

THE BIDDER MUST READ THE FOLLOWING INSTRUCTIONS TO COMPLETE THIS PAGE:

1. If doing business under a **trade name, partnership or a sole proprietorship**, you must submit the bid under exact title of the trade name, partnership, or proprietorship, and the bid must be signed by either the **owner**, or a **partner** and **witnessed** by a **notary public**.
2. If a **Corporation**, the bid must be signed by the **President** or **Vice President** and **witnessed** by a **Corporate Secretary** (corporate title must be exact) and **affix corporate seal**. If a Corporate Secretary does not exist, President or Vice President's signature shall be witnessed by a Notary Public.
3. Other persons **authorized** by **corporate resolution** to execute agreements in its behalf may also sign the bid documents (pages). **Copy of a resolution must accompany the bid.**
4. The person who signs this bid form **must also** sign the **Non-Collusion Affidavit**.
5. You **cannot** witness your own signature.

\_\_\_\_\_  
**NAME OF BIDDER**

\_\_\_\_\_  
\_\_\_\_\_  
\_\_\_\_\_  
**ADDRESS OF BIDDER**

\_\_\_\_\_  
**ORIGINAL SIGNATURE  
CORPORATE SECRETARY**

\_\_\_\_\_  
**PRINT NAME AND TITLE  
CORPORATE SECRETARY**

TEL: \_\_\_\_\_  
FAX: \_\_\_\_\_  
E-Mail: \_\_\_\_\_

**BY:** \_\_\_\_\_  
**ORIGINAL SIGNATURE**

**Corporate Seal**

\_\_\_\_\_  
**PRINT OR TYPE NAME AND TITLE**

**WARNING: IF YOU FAIL TO FULLY, ACCURATELY, AND COMPLETELY SUPPLY THE INFORMATION REQUESTED ON THIS PAGE, YOUR BID MAY BE REJECTED.**

Bidder's Name \_\_\_\_\_

**STATEMENT OF OWNERSHIP DISCLOSURE**

N.J.S.A. 52:25-24.2 (P.L. 1977, c.33, as amended by P.L. 2016, c.43)

**This statement shall be completed, certified to, and included with all bid and proposal submissions. Failure to submit the required information is cause for automatic rejection of the bid or proposal.**

**Name of Organization:** \_\_\_\_\_

**Organization Address:** \_\_\_\_\_

**Part I Check the box that represents the type of business organization:**

- Sole Proprietorship (skip Parts II and III, execute certification in Part IV)
- Non-Profit Corporation (skip Parts II and III, execute certification in Part IV)
- For-Profit Corporation (any type)     Limited Liability Company (LLC)
- Partnership     Limited Partnership     Limited Liability Partnership (LLP)
- Other (be specific): \_\_\_\_\_

**Part II**

- The list below contains the names and addresses of all stockholders in the corporation who own 10 percent or more of its stock, of any class, or of all individual partners in the partnership who own a 10 percent or greater interest therein, or of all members in the limited liability company who own a 10 percent or greater interest therein, as the case may be. **(COMPLETE THE LIST BELOW IN THIS SECTION)**

**OR**

- No one stockholder in the corporation owns 10 percent or more of its stock, of any class, or no individual partner in the partnership owns a 10 percent or greater interest therein, or no member in the limited liability company owns a 10 percent or greater interest therein, as the case may be. **(SKIP TO PART IV)**

**STATEMENT OF OWNERSHIP DISCLOSURE - CONTINUED**

(Please attach additional sheets if more space is needed):

Name of Individual or Business Entity	Home Address (for Individuals) or Business Address

**Part III DISCLOSURE OF 10% OR GREATER OWNERSHIP IN THE STOCKHOLDERS, PARTNERS OR LLC MEMBERS LISTED IN PART II**

If a bidder has a direct or indirect parent entity which is publicly traded, and any person holds a 10 percent or greater beneficial interest in the publicly traded parent entity as of the last annual federal Security and Exchange Commission (SEC) or foreign equivalent filing, ownership disclosure can be met by providing links to the website(s) containing the last annual filing(s) with the federal Securities and Exchange Commission (or foreign equivalent) that contain the name and address of each person holding a 10% or greater beneficial interest in the publicly traded parent entity, along with the relevant page numbers of the filing(s) that contain the information on each such person. **Attach additional sheets if more space is needed.**

Website (URL) containing the last annual SEC (or foreign equivalent) filing	Page #'s

**STATEMENT OF OWNERSHIP DISCLOSURE - CONTINUED**

**Please list** the names and addresses of each stockholder, partner or member owning a 10 percent or greater interest in any corresponding corporation, partnership and/or limited liability company (LLC) listed in Part II **other than for any publicly traded parent entities referenced above**. The disclosure shall be continued until names and addresses of every noncorporate stockholder, and individual partner, and member exceeding the 10 percent ownership criteria established pursuant to N.J.S.A. 52:25-24.2 has been listed. **Attach additional sheets if more space is needed.**

Stockholder/Partner/Member and Corresponding Entity Listed in Part II	Home Address (for Individuals) or Business Address

**Part IV Certification**

I, being duly sworn upon my oath, hereby represent that the foregoing information and any attachments thereto to the best of my knowledge are true and complete. I acknowledge: that I am authorized to execute this certification on behalf of the bidder/proposer; that the **County of Union** is relying on the information contained herein and that I am under a continuing obligation from the date of this certification through the completion of any contracts with **County of Union** to notify the **County of Union** in writing of any changes to the information contained herein; that I am aware that it is a criminal offense to make a false statement or misrepresentation in this certification, and if I do so, I am subject to criminal prosecution under the law and that it will constitute a material breach of my agreement(s) with the, permitting the **County of Union** to declare any contract(s) resulting from this certification void and unenforceable.

Full Name (Print):		Title:	
Signature:		Date:	

Bidder's Name \_\_\_\_\_

**SUBCONTRACTOR IDENTIFICATION STATEMENT**

**LIST OF SUBCONTRACTORS**

This form is ONLY required for plumbing and gas fitting, steam and hot water heating and ventilating apparatus, steam power plants, electrical work, structural steel, ornamental iron work, and any other trades required to be identified by the specifications (including, but not limited, to satisfying any DPMC Classification requirements).

**CHECK THIS BOX IF NONE OF THE ABOVE LISTED TRADES OR THOSE REQUIRED TO BE IDENTIFIED IN THE SPECIFICATIONS ARE TO BE USED TO PERFORM THE WORK**

In compliance with N.J.S.A. 40A:11-16 and the bid specifications, the undersigned hereby lists the name or names of the following subcontractors:

Company Name: \_\_\_\_\_

Address: \_\_\_\_\_

Telephone: \_\_\_\_\_ Subcontract Amount: \$ \_\_\_\_\_

Specific Scope of Work Subcontracted: \_\_\_\_\_

License No. \_\_\_\_\_

Company Name: \_\_\_\_\_

Address: \_\_\_\_\_

Telephone: \_\_\_\_\_ Subcontract Amount: \$ \_\_\_\_\_

Specific Scope of Work Subcontracted: \_\_\_\_\_

License No. \_\_\_\_\_

Company Name: \_\_\_\_\_

Address: \_\_\_\_\_

Telephone: \_\_\_\_\_ Subcontract Amount: \$ \_\_\_\_\_

Specific Scope of Work Subcontracted: \_\_\_\_\_

License No. \_\_\_\_\_

**IF MORE THAN THREE SUBCONTRACTORS, PLEASE COPY THIS SHEET AS NECESSARY AND ATTACH TO THE BID PACKAGE.**

(Continued on following page)

Bidder's Name \_\_\_\_\_

**SUBCONTRACTOR IDENTIFICATION CERTIFICATION**

Note the law does not permit the listing of alternate subcontractors. However, multiple subcontractors for the same trade are permitted to be named provided the bidder meets the following requirements:

- Bidder identifies each subcontractor named for that category;
- Bidder states the scope of work, goods and services (the portion of the work) to be performed by each subcontractor; and
- Bidder provides the price quote provided by each subcontractor.

The bidder is advised that any change of subcontractor(s) from ones listed herein is subject to the County's approval. Change of subcontractor(s) will be approved only if made for good cause and not as a result of an arbitrary purpose.

The undersigned Bidder certifies and declares that the subcontractors listed above shall be used as subcontractors to complete certain portions of the work in this project as set forth in N.J.S.A. 40A: 11-16.

\_\_\_\_\_  
**Witness**

**Date** \_\_\_\_\_

\_\_\_\_\_  
**NAME OF BIDDER**

\_\_\_\_\_  
**ADDRESS**

**By:** \_\_\_\_\_  
**ORIGINAL SIGNATURE ONLY**

\_\_\_\_\_  
**PRINT NAME AND TITLE**

Bidder's Name: \_\_\_\_\_

**ACKNOWLEDGMENT OF ADDENDUM**

**COUNTY OF UNION**

\_\_\_\_\_  
**(Name of Construction /Public Works Project)**

\_\_\_\_\_  
**(Project or Bid Number)**

Pursuant to N.J.S.A. 40A:11-23.1a., the undersigned bidder, hereby acknowledges receipt of the following notices, revisions, or addenda to the bid advertisement, specifications or bid documents. By indicating date of receipt, bidder acknowledges the submitted bid takes into account the provisions of the notice, revision or addendum. Note that the County of Union's record of notice to bidders shall take precedence and that failure to include provisions of changes in a bid proposal may be subject for rejection of the bid.

<b>Local Unit Reference Number or Title of Addendum/Revision</b>	<b>How Received (mail, fax, pick- up, etc.)</b>	<b>Date Received</b>

**ACKNOWLEDGMENT BY BIDDER:**

**NAME OF BIDDER:** \_\_\_\_\_

**ORIGINAL SIGNATURE:** \_\_\_\_\_

**PRINTED NAME AND TITLE:** \_\_\_\_\_

**DATE:** \_\_\_\_\_

## **CONTRACTOR BUSINESS REGISTRATION CERTIFICATE**

New Mandatory Requirement - Effective 1/18/2010

The recently enacted **P.L. 2009, c.315**, requires that effective January 18, 2010; a contracting agency must receive proof of the bidder's business registration prior to the award of a contract. However, the proof must show that the bidder was in fact registered with the State of New Jersey Department of the Treasury, Division of Revenue and obtained the business registration prior to the receipt of bids.

If subcontractors are named on the bid, proof of the business registration for each subcontractor must be provided prior to the award of bid. Similarly to the bidder, the proof must show that each subcontractor was registered with the State of New Jersey Department of the Treasury, Division of Revenue and obtained the business registration prior to the receipt of bids.

Proof of business registration shall be

- A copy of a Business Registration Certificate issued by the Department of the Treasury, Division of Revenue; or
- A copy of the web version provided by the NJ Division of Revenue, or

Register online at [www.nj.gov/treasury/revenue/taxreg.htm](http://www.nj.gov/treasury/revenue/taxreg.htm). Click the "online" link and then select "Register for Tax and Employer Purposes or call the Division at 609-292-1730.

**Note: A NJ Certificate of Authority is not acceptable.**

**FAILURE** to submit proof of registration of the bidder or any subcontractor named on the bid prior to the award of a contract shall be cause to reject the bids.

**FAILURE** of the bidder or any subcontractor named on the bid to be registered prior to the receipt of bids is cause for a **MANDATORY REJECTION** of bids. (A NON-WAIVABLE DEFECT). This covers construction work as well as non-construction bids.

### **IN ADDITION:**

The contractor shall provide written notice to all **subcontractors and suppliers** not specifically named on the bid of the responsibility to register and submit proof of business registration to the contractor. The requirement of proof of business registration extends down through all levels (tiers) of the project.

Before final payment on the contract is made by the contracting agency, the contractor shall submit an accurate list and the proof of business registration of each subcontractor or supplier used in the fulfillment of the contract, or shall attest that no subcontractors were used.

For the term of the contract, the contractor and each of its affiliates and a subcontractor and each of its affiliates [N.J.S.A. 52:32-44(g)(3)] shall collect and remit to the Director, New Jersey Division of Taxation, the use tax due pursuant to the Sales and Use Tax Act on all sales of tangible personal property delivered into this State, regardless of whether the tangible personal property is intended for a contract with a contracting agency.

A business organization that fails to provide a copy of a business registration as required pursuant to section 1 of P.L.2001,c.134 (C.52:32-44 et al.) or subsection e. or f. of section 92 of P.L.1977,c.110 (C.5:12-92), or that provides false business registration information under the requirements of either of those sections, shall be liable for a penalty of \$25 for each day of violation, not to exceed \$50,000 for each business registration copy not properly provided under a contract with a contracting agency.



Bidder's Name \_\_\_\_\_

**BUSINESS REGISTRATION**  
Mandatory Requirement

**P.L. 2009, c.315**, requires that effective January 18, 2010; a contracting agency must receive proof of the bidder's business registration prior to the award of a contract. However, the proof must show that the bidder was in fact registered with the State of New Jersey Department of the Treasury, Division of Revenue and obtained the business registration prior to the receipt of bids.

If subcontractors are named on the bid, proof of the business registration for each must be provided prior to the award of a contract. Similarly to the bidder, the proof must show that each subcontractor was registered with the State of New Jersey Department of the Treasury, Division of Revenue and obtained the business registration prior to the receipt of bids.

Proof of business registration shall be:

- A copy of a Business Registration Certificate issued by the Department of Treasury, Division of Revenue; or
- A copy of the web printed version provided by the NJ Division of Revenue

**STATE OF NEW JERSEY**  
**BUSINESS REGISTRATION CERTIFICATE**  
FOR STATE AGENCY AND CASINO SERVICE CONTRACTORS

DEPARTMENT OF TREASURY  
DIVISION OF REVENUE  
PO BOX 302  
TRENTON, NJ 08646

TAXPAYER NAME: TAX REG TEST ACCOUNT  
TRADE NAME: CLIENT REGISTRATION  
TAXPAYER IDENTIFICATION: 010-007-382/000  
SEQUENCE NUMBER: 0107510  
ADDRESS: 847 ROEBLING AVE  
TRENTON NJ 08611  
ISSUANCE DATE: 07/14/04  
EFFECTIVE DATE: 09/01/01  
FORM BR000111

Signature: *John S. Kelly*  
Accepted for: \_\_\_\_\_  
The Certificate is NOT assignable or transferable. It must be conspicuously displayed at above address.

**STATE OF NEW JERSEY**  
**BUSINESS REGISTRATION CERTIFICATE**

Taxpayer Name: TAX REG TEST ACCOUNT  
Trade Name:  
Address: 847 ROEBLING AVE  
TRENTON, NJ 08611  
Certificate Number: 1093907  
Date of Issuance: October 14, 2004

For Office Use Only:  
20041014112823533

ATTACH BRC HERE

\_\_\_\_\_

\_\_\_\_\_

Bidder's Name \_\_\_\_\_

**AFFIRMATIVE ACTION REQUIREMENT**

**REQUIRED AFFIRMATIVE ACTION EVIDENCE**

General Requirements of P.L. 1975, c. 127: You are hereby put on notice that:

CONSTRUCTION CONTRACTS: The successful contractor must submit within three (3) days of the notice of intent to award or the signing of the contract the initial project manning report (A.A.201). This report should be submitted at the time the signed contract is returned to the County of Union. Attention: *Affirmative Action Officer*.

**If the successful contract does not submit the initial project manning report (A.A.201) within the three (3) days from the time the signed contract is returned to the County of Union, the County of Union WILL declare the contractor non-responsive and award the contract to the next lowest responsible bidder.**

\_\_\_\_\_  
NAME OF BIDDER

\_\_\_\_\_  
ORIGINAL SIGNATURE

\_\_\_\_\_  
PRINT OR TYPE NAME AND TITLE

\_\_\_\_\_  
DATE THIS FORM IS COMPLETED

**EXPERIENCE STATEMENT**

I hereby certify that my company has performed the following private or public work, which is relevant to this bid. I further certify that my company has never defaulted under any contract. Should you not sign this form due to prior defaults, please provide details on an attached sheet.

\_\_\_\_\_  
Witness

\_\_\_\_\_  
Date

\_\_\_\_\_  
NAME OF BIDDER

\_\_\_\_\_  
\_\_\_\_\_  
\_\_\_\_\_  
ADDRESS

By: \_\_\_\_\_  
ORIGINAL SIGNATURE ONLY

\_\_\_\_\_  
\_\_\_\_\_  
PRINT NAME AND TITLE

**YOU MAY ATTACH ADDITIONAL SHEETS, BUT YOU MUST SIGN AND WITNESS THIS SHEET.**



Bidder's Name \_\_\_\_\_

**NON-COLLUSION AFFIDAVIT**

(N.J.S.A. 52:34-15)

STATE OF \_\_\_\_\_ )  
 )  
COUNTY OF \_\_\_\_\_ ) **SS:** \_\_\_\_\_

I \_\_\_\_\_, of the City of \_\_\_\_\_, in the County of \_\_\_\_\_, and the State of \_\_\_\_\_, of full age, being duly sworn according to law, on my oath depose and say that: I am \_\_\_\_\_ of the firm of \_\_\_\_\_, the bidder making the proposal for the above named project, and that I executed the said proposal for the above named project, and that I executed the said proposal with full authority to do so; that said bidder has not, directly or indirectly, entered into any agreement, participation in any collusion, or otherwise taken any action in restraint of free, competitive bidding in connection with the above named project; and that all statements contained in said proposal and in this Affidavit are true and correct, and made with full knowledge that the COUNTY OF UNION, NEW JERSEY relies upon the truth of the statements contained in said proposal and in the statements contained in the affidavit in awarding the contract for the said project.

I further warrant that no person or selling agency has been employed or retained to solicit or secure such contract upon an agreement or understanding for a commission, percentage, brokerage or contingent fee, except bona fide employees or bonafide established commercial or selling agencies maintained by \_\_\_\_\_ (N.J.S.A. 52:34-15).

\_\_\_\_\_  
**NAME OF BIDDER**

\_\_\_\_\_  
**ORIGINAL SIGNATURE ONLY**

**NOTE: The person who signed the bidder signature page for the bidder should sign this form also.**

Subscribed and sworn before me  
this \_\_\_\_ day of \_\_\_\_\_, 200 \_\_\_\_.

\_\_\_\_\_  
Notary Public of the State of \_\_\_\_\_  
My commission expires: \_\_\_\_\_

**WARNING: IF YOU FAIL TO FULLY, ACCURATELY, AND COMPLETELY FILL OUT THIS AFFIDAVIT OF NON-COLLUSION, YOUR BID MAY BE REJECTED.**

**Contractor Registration Advisement**  
For Public Works Projects

A new law, known as “The Public Works Contractor Registration Act” (P.L. 1999, c.238), became effective April 11, 2000. Under the Act, no contractor/subcontractor will be permitted to bid on or engage in any contract for public work, as defined in Section 2 of P.L. 1963, c.150 (C:34:11-56.26), unless that contractor/subcontractor is registered with the New Jersey Department of Labor. The Act provides that upon registration with the Department, a public works contractor/subcontractor will be issued a certificate by the Department indicating compliance with the Act’s requirements. The registration fee has been set at \$300.00 per year. Upon the effective date of the Act, public bodies will be expected to request production of such a certificate from those bidding on or engaging in public works projects.

It is important to note that the term “contractor,” is defined in the, Act as, “a person, partnership, association, joint stock company, trust, corporation or other legal business entity or successor thereof who enters into a contract which is subject to the provision of the “New Jersey Prevailing Wage Act,” P.L. 1963, c.150 (C.34:11-56.25, et seq.) for the construction, reconstruction, demolition, alteration, repair or maintenance of a public building regularly open to and used by the general public or a public institution, and includes any subcontractor or lower tier subcontractor as defined herein: except that, for the purposes of the act, no pumping station, treatment plant or other facility associated with utility and environmental construction, reconstruction, demolition, alteration, repair or maintenance shall be regarded as a public building regularly open to and used by the general public or a public institution.”

Registration forms, copies of the Act, and other relevant information can be obtained by contacting:

Contractor Registration Unit  
New Jersey Department of Labor  
Division of Wage & Hour Compliance  
PO Box 389  
Trenton, New Jersey 08625-0389  
Telephone: 609-292-9464  
Fax: 609-633-8591  
E-mail: [contreg@dol.state.nj.us](mailto:contreg@dol.state.nj.us)

Bidder's Name \_\_\_\_\_

**AMERICANS WITH DISABILITIES ACT**  
EQUAL OPPORTUNITY FOR INDIVIDUALS WITH DISABILITIES

The contractor and the County of Union (hereafter "Owner") do hereby agree that the provisions of Title II of the Americans With Disabilities Act of 1990 (the "Act") (42 U.S.C.S12.101 et seq.), which prohibits discrimination on the basis of disability by public entities in all services, programs and activities provided or made available by public entities, and the rules and regulations promulgated pursuant thereto, are made a part of this contract. In providing any aid, benefit, or service on behalf of the Owner pursuant to this contract, the contractor agrees that the performance shall be in strict compliance with the Act. In the event the contractor, its agents, servants, employees, or subcontractors violate or are alleged to have violated the Act during the performance of this contract, the contractor shall defend the Owner in any action or administrative proceeding commenced pursuant to this Act. The contractor shall indemnify, protect, and save harmless the Owner, its agents, servants, and employees from and against any and all suits, claims, losses, demands, or damages of whatever kind or nature arising out of or claimed to arise out of the alleged violation. The contractor shall, at its own expense, appear, defend, and pay any and all charges for legal services and any and all costs and other expenses arising from such action or administrative proceeding or incurred in connection therewith. In any and all complaints brought pursuant to the Owner's grievance procedure, the contractor agrees to abide by any decision of the Owner which is rendered pursuant to said grievance procedure. If any action or administrative proceeding results in an award of damages against the Owner, or if the Owner incurs any expense to cure a violation of the ADA which has been brought pursuant to its grievance procedure, the contractor shall satisfy and discharge the same at its own expense.

The Owner shall, as soon as practicable after a claim has been made against it, give written notice thereof to the contractor along with full and complete particulars of the claim. If any action or administrative proceeding is brought against the Owner or any of its agents, servants, and employees, the Owner shall expeditiously forward or have forwarded to the contractor every demand, complaint, notice, summons, pleading, or process received by the Owner or its representatives.

It is expressly agreed and understood that any approval by the Owner of the services provided by the contractor pursuant to this contract will not relieve the contractor of the obligation to comply with the Act and to defend, indemnify, protect, and save harmless the Owner pursuant to this paragraph.

It is further agreed and understood that the Owner assumes no obligation to indemnify or save harmless the contractor, its agents, servants, employees and subcontractors for any claim which may arise out of their performance of this Agreement. Furthermore, the contractor expressly understands and agrees that the provisions of this indemnification clause shall in no way limit the contractor's obligations assumed in this Agreement, nor shall they be construed to relieve the contractor from any liability, nor preclude the Owner from taking any other actions available to it under any other provisions of this Agreement or otherwise at law.

Name \_\_\_\_\_ (Please print or type)

Signature \_\_\_\_\_ Date \_\_\_\_\_

Bidder's Name \_\_\_\_\_

**STATEMENT OF BIDDER'S QUALIFICATIONS**

All questions must be answered and the data given must be clear and comprehensive. This statement must be notarized. Questions may be answered on separate attached sheets. The Bidder may submit any additional information it desires.

1. \_\_\_\_\_  
(Name of Bidder)

2. \_\_\_\_\_  
(Permanent Main Office Address)

3. \_\_\_\_\_  
(When Organized)

4. \_\_\_\_\_  
(If a Corporation, where incorporated)

5. Number of years your organization has been engaged in construction or contracting business under present firm or trade name? \_\_\_\_\_

6. How many years of experience in construction work has your organization had (a) as a general contractor? And/or (b) As a subcontractor? \_\_\_\_\_

7. Contracts on hand: (Attach a list or table showing gross amounts of each Contract and the appropriate dates of completion) \_\_\_\_\_

\_\_\_\_\_  
\_\_\_\_\_  
\_\_\_\_\_

8. General character of work performed by you. \_\_\_\_\_

\_\_\_\_\_

9. Have you ever failed to complete any work awarded to you? \_\_\_\_\_

\_\_\_\_\_

10. Have you ever defaulted on a Contract? \_\_\_\_\_ If so, complete details, including where and why?

\_\_\_\_\_  
\_\_\_\_\_



Bidder's Name \_\_\_\_\_

**STATEMENT OF BIDDER'S QUALIFICATIONS - (continued)**

11. Has any officer or partner of your organization ever failed to complete a construction contract handled in its own name? If so, state name of individual, name of owner, location and type of project, and reason for the failure to complete. \_\_\_\_\_  
\_\_\_\_\_  
\_\_\_\_\_

12. List your major equipment available for this Contract.  
\_\_\_\_\_  
\_\_\_\_\_

13. Experience in the construction work similar in importance to this Project.  
\_\_\_\_\_  
\_\_\_\_\_

14. Have you had any material adverse changes from the trades as listed in NJ Notice of Classification within last five (5) years? \_\_\_\_\_. If so, list prior classification.

15. Background and experience of the principal members of your organization, including the officers.

<b>Individual's Name</b>	<b>Present Position or Office</b>	<b>Yrs. of Construction Experience</b>	<b>Magnitude &amp; Type of Work</b>	<b>In What Capacity</b>

16. Bank Reference. (Name, Address, Phone, Representative) \_\_\_\_\_
17. Will you, upon request, fill out a detailed financial statement and furnish any other information that may be required by the proper agency? \_\_\_\_\_
18. The undersigned, hereby authorizes and requests any person, firm or corporation to furnish any information requested by the proper agency in verification of the responses comprising this Statement of Bidder's Qualifications.
17. Bidder's telephone number, fax number and e-mail address (if applicable).
- Phone \_\_\_\_\_
- Fax \_\_\_\_\_
- E-mail \_\_\_\_\_
- Mobile \_\_\_\_\_

Dated at \_\_\_\_\_ this \_\_\_\_\_ day of \_\_\_\_\_, 20\_\_.

\_\_\_\_\_  
BIDDER (Signature)

\_\_\_\_\_  
BIDDER (Print Name)

Subscribed and sworn to before me  
this \_\_\_\_\_ day of \_\_\_\_\_, 20\_\_.

\_\_\_\_\_  
(Seal) Notary Public of New Jersey/  
Specify Other State  
My Commission Expires \_\_\_\_\_, 20\_\_.

**NOTE: FAILURE TO COMPLETE AND SUBMIT THIS DOCUMENT WITH YOUR PROPOSAL  
MAY RESULT IN A REJECTION OF YOUR BID.**

Bidder's Name \_\_\_\_\_

**CONTRACTOR PERFORMANCE RECORD**

List all contracts completed by you below or provide separate form.

Name of Owner	Name & Location of Project: Type Of Work	Prime or Sub-Cont.	Engineer or Architect in Charge for Owner	Contract Price (Omit Cost)	Date Completed	Was Time* Extension Necessary	Were Any Penalties Imposed	Were Liens* Claims or Stop Notice Filed

\* If answer is YES, provide explanation of details in connection with non-completion of contracts, time extensions, penalties imposed, labor troubles, liens, claims and notices filed against contracts listed in preceding item "Performance Record" on an attached sheet.

**NOTE: FAILURE TO COMPLETE AND SUBMIT THIS DOCUMENT WITH YOUR PROPOSAL MAY RESULT IN A REJECTION OF YOUR BID.**

Bidder's Name \_\_\_\_\_

**CERTIFICATION**

The information above is true and complete to the best of my knowledge and belief.

\_\_\_\_\_  
(Name of Organization)

\_\_\_\_\_  
(Signature)

\_\_\_\_\_  
(Title)

Subscribed and sworn to before me  
This \_\_\_\_\_ day of \_\_\_\_\_, 20\_\_.

\_\_\_\_\_  
(Seal) Notary Public of New Jersey/  
Specify Other State  
My Commission Expires \_\_\_\_\_, 20\_\_.

Bidder's Name \_\_\_\_\_

**AFFIDAVIT REGARDING LIST OF DEBARRED,  
SUSPENDED OR DISQUALIFIED BIDDERS**

STATE OF NEW JERSEY / \_\_\_\_\_ )  
 \_\_\_\_\_ Specify, if Other \_\_\_\_\_ ) SS:  
 COUNTY OF \_\_\_\_\_ )

I, \_\_\_\_\_, of the (City, Town, Borough, etc.) of \_\_\_\_\_  
 \_\_\_\_\_ State of \_\_\_\_\_, of full age, being duly sworn according  
 to law on my oath depose and say that:

I am \_\_\_\_\_ of the firm of \_\_\_\_\_,  
 the Bidder making the Proposal for the above named Project. I have executed the said Proposal with full  
 authority to do so. Said Bidder is not at the time of the making this bid included on the New Jersey State  
 Treasurer's or the Federal Government's List of Debarred, Suspended or Disqualified Bidders as a result  
 of action taken by any State or Federal Agency.

\_\_\_\_\_  
 Name of Contractor

By: \_\_\_\_\_  
 (Signature of Authorized Representative)

Subscribed and sworn to before me  
 this \_\_\_\_\_ day of \_\_\_\_\_, 20\_\_.

\_\_\_\_\_  
 (Seal) Notary Public of New Jersey/  
 Specify Other State  
 My Commission Expires \_\_\_\_\_, 20\_\_.

**NOTE: FAILURE TO COMPLETE AND SUBMIT THIS DOCUMENT WITH YOUR PROPOSAL MAY RESULT IN A REJECTION OF YOUR BID.**

**PRIOR NEGATIVE EXPERIENCE QUESTIONNAIRE**

(N.J.S.A. 40A:11-4)

1. Within the past ten (10) years, have you been found, through either court adjudication, arbitration, mediation, or other contractually stipulated alternate dispute resolution mechanism, to have: failed to provide or perform goods or services; or failed to complete a contract in a timely manner; or otherwise performed unsatisfactorily under a prior contract with a public entity?

\_\_\_\_\_ yes                      \_\_\_\_\_ no    If yes, please provide full, detailed explanation.

---

---

---

2. Within the past ten (10) years, have you defaulted on a contract, thereby requiring a public entity to utilize the services of another contractor to provide the goods or perform the services or to correct or complete the contract?

\_\_\_\_\_ yes                      \_\_\_\_\_ no    If yes, please provide full, detailed explanation.

---

---

---

3. Within the past ten (10) years, have you defaulted on a contract, thereby requiring a public entity to look to your surety for completion of the contract or tender of the costs of completion?

\_\_\_\_\_ yes                      \_\_\_\_\_ no    If yes, please provide full, detailed explanation.

---

---

---

4. Within the past ten (10) years, have you been debarred or suspended from contracting with any of the agencies or department of the executive branch of the State of New Jersey at the time of the contract award, where the action was based on failure to perform a contract for goods or services with a public entity?

\_\_\_\_\_ yes                      \_\_\_\_\_ no    If yes, please provide full, detailed explanation.

---

---

---

Bidder's Name \_\_\_\_\_

**PRIOR NEGATIVE EXPERIENCE CERTIFICATION**

I hereby certify that the above statements are true and accurate as of this \_\_\_\_\_  
day of \_\_\_\_\_, 20\_\_.

\_\_\_\_\_  
Name of Contractor

By \_\_\_\_\_  
(Signature of Authorized Representative)

Subscribed and sworn to before me  
This \_\_\_\_\_ day of \_\_\_\_\_, 20\_\_.

\_\_\_\_\_  
(Seal) Notary Public of New Jersey/  
Specify Other State  
My Commission Expires \_\_\_\_\_, 20\_\_.

**NOTE: FAILURE TO COMPLETE AND SUBMIT THIS DOCUMENT WITH YOUR PROPOSAL MAY RESULT IN A REJECTION OF YOUR BID.**

Bidder's Name \_\_\_\_\_

**TO BE COMPLETED ONLY WHEN FINAL PAYMENT IS REQUESTED**

**CONTRACTOR'S CERTIFICATION OF COMPLIANCE - NEW JERSEY PREVAILING WAGE ACT**

**TO:** County of Union  
Division of Engineering  
2325 South Avenue  
Scotch Plains, New Jersey 07076

**CONTRACT:**

**PROJECT:** \_\_\_\_\_

In accordance with the requirements of the New Jersey Prevailing Wage Act, N.J.S.A. 34:11-56 et al \*, the undersigned contractor on the public work being performed for:

**COUNTY OF UNION**

hereby certifies that he/she has complied with the contract requirements regarding the payment of the minimum prevailing wages established under "The New Jersey Prevailing Wage Act" N.J.S.A. 34:11-56 et al.

**CONTRACTOR:**

**ADDRESS:**

\_\_\_\_\_  
\_\_\_\_\_  
\_\_\_\_\_

**BY:**

\_\_\_\_\_  
**ORIGINAL SIGNATURE ONLY**

**STATE OF NEW JERSEY**

**COUNTY OF** \_\_\_\_\_

Being by me duly sworn according to law, on his oath deposes and says that \_\_\_\_\_ is \_\_\_\_\_ of \_\_\_\_\_ the above named contractor, and that the facts set forth in the above statement are true.

Subscribed and sworn before me  
this \_\_\_\_ day of \_\_\_\_\_, 200 \_\_\_\_.

\_\_\_\_\_

Notary Public: \_\_\_\_\_

My Commission Expires: \_\_\_\_\_

\* N.J.S.A. 34:11-56.33 requires the contractor and subcontractor to file written statements with the public body in form satisfactory to the Commissioner certifying to the amounts then due and owing from such contractor and subcontractor filing such statement to any and all workmen for wages due on account of the public work, setting forth therein the names of the persons whose wages are unpaid and the amount due to each respectively. Union County will withhold the amount so deducted for the benefit of the workmen whose wages are unpaid as shown by the verified statement filed, and will pay directly to any workman the amount shown by such statement to be due to him for such wages. Such payment shall thereby discharge the obligation of the contractor to the person receiving such payment to the extent of the amount thereof.



Bidder's Name \_\_\_\_\_

**UNCOMPLETED CONTRACTS AFFIDAVIT**  
(To be submitted with DPMC Form 701)

**PURSUANT TO N.J.A.C. 17:19-2.13, BIDDER DECLARES THE FOLLOWING WITH RESPECT TO ITS UNCOMPLETED CONTRACTS, ON ALL WORK, FROM WHATEVER SOURCE (PUBLIC AND PRIVATE), BOTH IN NEW JERSEY AND FROM OTHER GOVERNMENTAL JURISDICTIONS**

ENTITY	PROJECT TITLE	ORIGINAL CONTRACT AMOUNT	UNCOMPLETED AMOUNT AS OF BID OPENING DATE	NAME AND TELEPHONE NUMBER OF PARTY TO BE CONTACTED FROM ENTITY FOR VERIFICATION

**TOTAL AMOUNT OF UNCOMPLETED CONTRACTS \$ \_\_\_\_\_**

Sworn and Subscribed to Before me

This \_\_\_\_\_ day of \_\_\_\_\_ 20\_\_\_\_

\_\_\_\_\_  
Notary Public

**BIDDER:**

\_\_\_\_\_  
(Signature)

\_\_\_\_\_  
(Print Name)

**NOTE: FAILURE TO COMPLETE AND SUBMIT THIS DOCUMENT WITH YOUR PROPOSAL MAY RESULT IN A REJECTION OF YOUR BID.**

Bidder's Name \_\_\_\_\_

**CERTIFICATE OF INSURANCE STATEMENT**

The Bidder fully understands the County of Union insurance requirements as stated in the Instructions to Bidders as well as the Owner/Contractor Agreement and agrees to provide all insurance required by these documents prior to the issuance of the Notice to Proceed.

\_\_\_\_\_  
BIDDER (Signature)

\_\_\_\_\_  
BIDDER (Print Name)

**NOTE: FAILURE TO COMPLETE AND SUBMIT THIS DOCUMENT WITH YOUR PROPOSAL MAY RESULT IN A REJECTION OF YOUR BID.**

Bidder's Name \_\_\_\_\_

**COLLECTION OF USE TAX ON SALES TO LOCAL GOVERNMENTS STATEMENT**

The Bidder fully understands the requirements of the use tax on sales to local governments as stated in the General Conditions to the Contract for Construction and the Instructions to Bidders, and agrees at all times to comply with the "Contractor Use Tax Collection Legislation", as defined therein, and the terms relating thereto contained in the Contract Documents.

\_\_\_\_\_  
BIDDER (Signature)

\_\_\_\_\_  
BIDDER (Print Name)

**NOTE: FAILURE TO COMPLETE AND SUBMIT THIS DOCUMENT WITH YOUR PROPOSAL MAY RESULT IN A REJECTION OF YOUR BID.**

Bidder's Name \_\_\_\_\_

**TIME OF COMPLETION**

The undersigned proposed that if awarded the Contract, the scope of work will be started within ten (10) calendar days from the date of the notice to proceed and will be **substantially completed by June 14, 2017**.

I, \_\_\_\_\_ of \_\_\_\_\_  
NAME (Print or type) COMPANY

Agree to complete work in the time frame specified \_\_\_\_\_  
SIGNATURE

**SITE VISIT – GENERAL CONTRACTOR**

I, \_\_\_\_\_ of \_\_\_\_\_  
NAME (Print or type) COMPANY

Visited the site of the work on \_\_\_\_\_  
SIGNATURE

**COUNTY OF UNION NEW JERSEY**  
**Division of Purchasing**  
**DISCLOSURE OF INVESTMENT ACTIVITIES IN IRAN**

---

Solicitation Number: \_\_\_\_\_ Bidder/Offeror: \_\_\_\_\_

---

Pursuant to Public law 2012, c. 25, any person or entity that submits a bid or proposal or otherwise proposes to enter into or renew a contract must complete the certification below to attest, under penalty of perjury, that the person or entity, or one of the person or entity's parents, subsidiaries, or affiliates, is not identified on a list created and maintained by the Department of the Treasury as a person or entity engaging in investment activities in Iran. If the Director finds a person or entity to be in violation of the principles which are the subject of the law, s/he shall take action as may be appropriate and provided by law, rule or contract, including but not limited to, imposing sanctions, seeking compliance, recovering damages, declaring the party in default and seeking debarment or suspension of the person or entity.

**I certify, pursuant to Public Law 2012, c. 25, that the person or entity listed above for which I am authorized to bid/renew:**

is not providing goods or services of \$20,000,000 or more in the energy sector of Iran, including a person or entity that provides oil or liquefied natural gas tankers, or products used to construct or maintain pipe lines used to transport oil or liquefied natural gas, for the energy sector of Iran,  
AND

is not a financial institution that extends \$20,000,000 or more in credit to another person or entity, for 45 days or more, if that person or entity will use the credit to provide goods or services in the energy sector in Iran.

In the event that a person or entity is unable to make the above certification because it or one of its parents, subsidiaries, or affiliates has engaged in the above-referenced activities, a detailed, accurate and precise description of the activities must be provided in part 2 below to the Division of Purchase under penalty of perjury. Failure to provide such will result in the proposal being rendered as non-responsive and appropriate penalties, fines and/or sanctions will be assessed as provided by law.

---

**PART 2: PLEASE PROVIDE FURTHER INFORMATION RELATED TO INVESTMENT ACTIVITIES IN IRAN.** You must provide, accurate and precise description of the activities of the bidding person/entity, or one of its parents, subsidiaries or affiliates, engaging in the investment activities in Iran outlined above by completing the boxes below.

Name \_\_\_\_\_ Relationship to Bidder/Offeror \_\_\_\_\_

Description of Activities \_\_\_\_\_

Duration of Engagement \_\_\_\_\_ Anticipated Cessation Date \_\_\_\_\_

Bidder/Offeror Contact Name \_\_\_\_\_ Contact Phone Number \_\_\_\_\_

Certification: I, being duly sworn upon my oath, hereby represent and state that the foregoing information and any attachments thereto to the best of my knowledge are true and complete. I attest that I am authorized to execute this certification on behalf of the above referenced person or entity. I acknowledge that Union County is relying on the information contained herein and hereby acknowledge that I am under a continuing obligation from the date of this certification through the completion of any contracts with the County to notify the County in writing of any changes to the answers of information contained herein. I acknowledge that I am aware that it is a criminal offense to make a false statement or misrepresentation in this certification, and if I do so, I recognize that I am subject to criminal prosecution under the law and that it will also constitute a material breach of my agreement(s) with Union County, New Jersey and that the County at its option may declare any contract(s) resulting from this certification void and unenforceable.

Full Name (Print) \_\_\_\_\_ Signature \_\_\_\_\_

Title \_\_\_\_\_ Date \_\_\_\_\_

## STANDARD SPECIFICATIONS

The Standard Specifications for Road and Bridge Construction of New Jersey Department of Transportation, 2007 Edition; is added to and/or amended elsewhere herein by the Notice to Contractors (Advertisement), Proposal, Information for Bidders, General Conditions, Special Provisions, Project Plans, and Supplementary Specifications; shall, insofar as technical requirements are involved, govern in the execution of this project.

Such Standard Specifications are made a part of these Specifications by this reference and will not be repeated herein. It is the responsibility of prospective bidders to familiarize themselves with these Standard Specifications, copies of which may be examined at the office of the Engineer and may be obtained, upon payment of the cost thereof, from:

Department of Transportation  
State of New Jersey  
1035 Parkway Avenue  
Trenton, New Jersey 08625

The Notice to Bidders (Advertisement), Proposal, General Conditions, Instructions to Bidders, Special Provisions, Project Plans and/or Technical Specifications shall govern and prevail in the case of conflict between them and the Standard Specifications.

In these Standard Specifications the words "COMMISSIONER" or "DEPARTMENT" shall refer to and mean the person, persons, body, board or agent legally empowered to enter into contracts and otherwise legally act for the Owner. The words "RESIDENT ENGINEER (RE)", "ENGINEER" or "STATE" shall refer to and mean the professional engineering representative of the Owner as hereinbefore defined and the word "INSPECTOR" shall mean the authorized project representative of the Engineer with the authority as hereinbefore defined. The word "LABORATORY" shall mean and refer to the Engineer who may, at his discretion, and with the consent of the Owner, employ qualified technical personnel or testing laboratories to assist him in fulfilling the duties normally assigned to the "LABORATORY" in these Standard Specifications.

When reference is made herein to the bulletins, standards, specifications, publications or requirements of the Manual on Uniform Traffic Control Devices (MUTCD), Institute of Traffic Engineers (ITE), Federal Highway Administration (FHWA), American Association of State Highway Officials (AASHTO), the American Concrete Institute (ACI), the American Society of Civil Engineers (ASCE) or similar national or regional societies, associations, institutes or organizations; the requirements of the bulletins, specifications, publications or requirements referred to shall be considered a part of these Specifications by such reference and shall not be repeated herein but shall have the same import and be as binding as if herein set forth in full.

# DRAFT AIA Document A101™ - 2007

## Standard Form of Agreement Between Owner and Contractor where the basis of payment is a Stipulated Sum

AGREEMENT made as of the  day of  in the year   
(In words, indicate day, month and year.)

BETWEEN the Owner:  
(Name, legal status, address and other information)

and the Contractor:  
(Name, legal status, address and other information)

for the following Project:  
(Name, location and detailed description)

The County Engineer or his designee:  
(Name, legal status, address and other information)

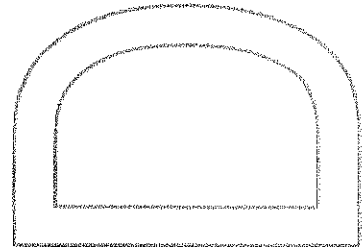
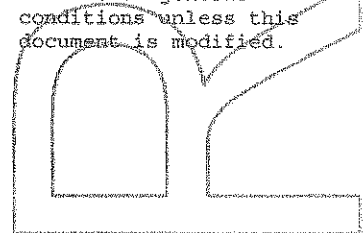
The Owner and Contractor agree as follows.



**ADDITIONS AND DELETIONS:**  
The author of this document has added information needed for its completion. The author may also have revised the text of the original AIA standard form. An Additions and Deletions Report that notes added information as well as revisions to the standard form text is available from the author and should be reviewed.

This document has important legal consequences. Consultation with an attorney is encouraged with respect to its completion or modification.

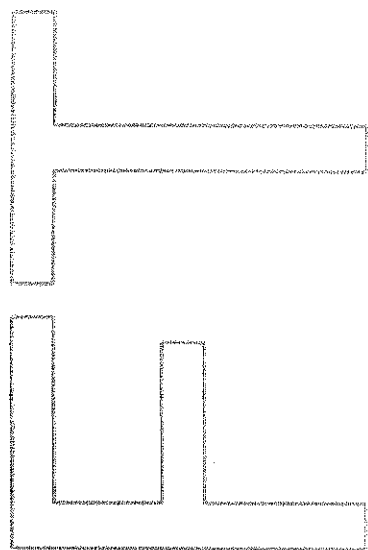
AIA Document A201™-2007, General Conditions of the Contract for Construction, is adopted in this document by reference. Do not use with other general conditions unless this document is modified.



**ELECTRONIC COPYING** of any portion of this AIA Document to another electronic file is prohibited and constitutes a violation of copyright laws as set forth in the footer of this document.

TABLE OF ARTICLES

- 1 THE CONTRACT DOCUMENTS
- 2 THE WORK OF THIS CONTRACT
- 3 DATE OF COMMENCEMENT AND SUBSTANTIAL COMPLETION
- 4 CONTRACT SUM
- 5 PAYMENTS
- 6 DISPUTE RESOLUTION
- 7 TERMINATION OR SUSPENSION
- 8 MISCELLANEOUS PROVISIONS
- 9 ENUMERATION OF CONTRACT DOCUMENTS
- 10 INSURANCE AND BONDS



ARTICLE 1 THE CONTRACT DOCUMENTS

The Contract Documents consist of this Agreement, Conditions of the Contract (General, Supplementary and other Conditions), Drawings, Specifications, Addenda issued prior to execution of this Agreement, other documents listed in this Agreement and Modifications issued after execution of this Agreement, all of which form the Contract, and are as fully a part of the Contract as if attached to this Agreement or repeated herein. The Contract represents the entire and integrated agreement between the parties hereto and supersedes prior negotiations, representations or agreements, either written or oral. An enumeration of the Contract Documents, other than a Modification, appears in Article 9.

ARTICLE 2 THE WORK OF THIS CONTRACT

The Contractor shall fully execute the Work described in the Contract Documents, except as specifically indicated in the Contract Documents to be the responsibility of others. The Contractor will not be compensated for labor or materials outside the scope of work that is not properly authorized.

ARTICLE 3 DATE OF COMMENCEMENT AND SUBSTANTIAL COMPLETION

§ 3.1 The date of commencement of the Work shall be the date of this Agreement unless a different date is stated below or provision is made for the date to be fixed in a Notice to proceed issued by the Owner, which is anticipated to be on or about

☐

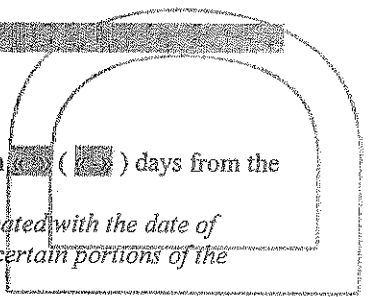
If, prior to the commencement of the Work, the Owner requires time to file mortgages and other security interests, the Owner's time requirement shall be as follows: Not applicable.

☐

§ 3.2 The Contract Time shall be measured from the date of commencement.

§ 3.3 The Contractor shall achieve Substantial Completion of the entire Work not later than ☐ (☐) days from the date of commencement, or as follows:

*(Insert number of calendar days. Alternatively, a calendar date may be used when coordinated with the date of commencement. If appropriate, insert requirements for earlier Substantial Completion of certain portions of the Work.)*





Portion of Work

Substantial Completion Date

Entire Work

TBD

, subject to adjustments of this Contract Time as provided in the Contract Documents.

(Insert provisions, if any, for liquidated damages relating to failure to achieve Substantial Completion on time or for bonus payments for early completion of the Work.)

« » Should the Contractor fail to complete fully, and in conformity with all provisions of the Contract within the Contract Time, the Contractor shall, and hereby agrees to pay the Owner One Thousand Dollars (\$1,000.00) per day for as liquidated damages, for each consecutive calendar day beyond the number of days allowed by the Contract, which sum is agreed upon as reasonable and proper measure of damages that the Owner will sustain per diem by failure of Contractor to complete Work within time as stipulated; it is being recognized by Owner and Contractor that the injury to Owner that could result from a failure of the Contractor to complete on schedule, is uncertain and cannot be computed exactly. In no way shall costs of Liquidated Damages to be construed as a penalty to the Contractor. (See Bid Documents)

ARTICLE 4 CONTRACT SUM

§ 4.1 The Owner shall pay the Contractor the Contract Sum in current funds for the Contractor's performance of the Contract. The Contract Sum shall be « » (\$ « »), subject to additions and deductions as provided in the Contract Documents.

§ 4.2 The Contract Sum is based upon the following alternates, if any, which are described in the Contract Documents and are hereby accepted by the Owner:

(State the numbers or other identification of accepted alternates. If the bidding or proposal documents permit the Owner to accept other alternates subsequent to the execution of this Agreement, attach a schedule of such other alternates showing the amount for each and the date when that amount expires.)

« » § 4.3 Unit prices, if any:

(Identify and state the unit price; state quantity limitations, if any, to which the unit price will be applicable.)

Item	Units and Limitations	Price Per Unit (\$0.00)
« »	« »	« »

§ 4.4 Allowances included in the Contract Sum, if any:

(Identify allowance and state exclusions, if any, from the allowance price.)

Item	Price
« »	« »

ARTICLE 5 PAYMENTS

§ 5.1 PROGRESS PAYMENTS

§ 5.1.1 Based upon Applications for Payment submitted to the County Engineer or his designee by the Contractor and Certificates for Payment issued by the County Engineer or his designee, the Owner shall make progress payments on account of the Contract Sum to the Contractor as provided below and elsewhere in the Contract Documents.

§ 5.1.2 The period covered by each Application for Payment shall be one calendar month ending on the last day of the month, or as follows:

« » § 5.1.3 The Contractor shall submit a Preliminary Payment Request (Pencil Requisition) to the County Engineer or his designee on the twenty-fifth (25<sup>th</sup>) day of any given calendar month for Work performed during that month,

Upon receipt of the Pencil Requisition from the Contractor, the County Engineer or his designee shall review the Pencil Requisition and approve or disapprove of it in whole or in part as set forth hereafter. Within (4) calendar days of receipt of the Pencil Requisition from the Contractor, the County Engineer or his designee shall return the Pencil Requisition to the Contractor, with those charges that are approved or disapproved, if any, by the County Engineer or his designee, for the Contractor's incorporation into an Application for Payment. Within two (2) calendar days of return of the Pencil Requisition from the County Engineer or his designee, the Contractor shall submit a formal application for Payment to the County Engineer or his designee for review and approval by the County Engineer or his designee incorporating any revisions made by the County Engineer or his designee in the Pencil Requisition submission. Within five (5) calendar days of receipt of Contractor's Application for Payment, the County Engineer or his designee shall take any one of the following actions:

- 1) Certify the entire Application for Payment;
- 2) Certify partial payment and provide the Contractor with reasons for withholding the remaining portion of the payment; or
- 3) Withhold certification of the entire Application for Payment and provide the Contractor with reasons for withholding the entire payment,

Once the Application for Payment is certified either in whole or in part, the County Engineer or his designee shall transmit the Certified Payment Application within three (3) calendar days to the Owner for its review and payment. The Owner shall make payment to the Contractor for the Certified Payment Amount by no later than the time period set forth in the New Jersey Prompt Payment Act following receipt of the Certificate for Payment from the County Engineer or his designee. The Owner shall not be obligated to pay any Application for Payment until the Application for Payment is certified by the County Engineer or his designee. Approval of any Application for Payment may be withheld should the Contractor fail to submit Manning Reports in a timely manner.

Pursuant to N.J.S.A. 2A:30A-1 et seq. (the "Prompt Payment Act"), a public or governmental entity that requires the entity's governing body to vote on authorizations for each periodic payment, final payment, or retainage monies, such as the Owner, is excepted from the timing requirements of the Act. Accordingly, the Owner shall not approve the Contractor's Application for Payment until it is certified by the County Engineer or his designee in accordance herewith and shall not approve the Contractor's Certified Payment Application until the next scheduled public meeting of the Owner following the Owner's receipt of the Certified Payment Application from the County Engineer or his designee. The Owner shall not make payment to the Contractor for the Certified Payment Amount until the Owner's subsequent payment cycle following its approval of the Payment Application.

Pursuant to this same Act, if a payment due pursuant to the provisions herein is not made in a timely manner, the Owner shall be liable for the amount of money owed under the contract, plus interest at a rate equal to the prime rate plus one percent (1%), notwithstanding anything to the contrary in the Contract Documents. Interest on amounts due pursuant to the Act shall be paid to the prime contractor for the period beginning on the day after the required payment date and ending on the day on which the check for payment is received by the Contractor.

Pursuant to this same Act, disputes regarding whether a party has failed to make payments required by the Act may be submitted to a process of alternative dispute resolution, notwithstanding anything to the contrary in the contract documents, where the parties agree to same. Alternative dispute resolution permitted by the Act shall not apply to disputes concerning any other matters that may arise under or from this Contract. Any civil action brought to collect payments shall be conducted in Union County, State of New Jersey, and the prevailing party shall be awarded reasonable costs and attorneys' fees.

§5.1.4 The County Engineer or his designee may decide not to certify payment and may withhold a Certificate for Payment, in whole or in part, to the extent reasonably necessary to protect the Owner if, in the County Engineer or his designee's opinion, the representations as described in Section 5.1.5 below cannot be made to the Owner. If the County Engineer or his designee withholds a Certificate for Payment, the County Engineer or his designee will notify the Contractor and Owner as provided in Section 5.1.3 above. If the Contractor and County Engineer or his designee cannot agree on a revised amount, the County Engineer or his designee will issue a Certificate for Payment for the amount for which the County Engineer or his designee is able to make such representations to the Owner as set forth in Section 5.1.3 above. The County Engineer or his designee may also decide to withhold certifying

payment in whole or in part, or, because of subsequently discovered evidence or subsequent observations, to such extent as may be necessary in the County Engineer or his designee's opinion to protect the Owner from loss because of:

- .1 Defective Work not remedied;
- .2 third party claims filed or reasonable evidence indicating probable filing of such claims;
- .3 failure of the Contractor to make payments properly to Subcontractors or for labor, materials, or equipment;
- .4 reasonable evidence that the Work cannot be completed for the unpaid balance of the Contract Sum;
- .5 damage to the Owner or another contractor;
- .6 reasonable evidence that the Work will not be completed within the Contract Time, and that the unpaid balance would not be adequate to cover actual or Liquidated Damages for the anticipated delay;
- .7 failure to carry out the Work in accordance with the Contract Documents;
- .8 avoidable delay in the progress of the Work;
- .9 deliberate delay in the submission for approval of names of Subcontractors, materialmen, sources of supply, shop drawings, and samples;
- .10 failure to maintain the Project Site in a safe and satisfactory condition in accordance with good construction practices as determined by the County Engineer or his designee; or
- .11 failure to submit updates as required by the General Conditions.

When the foregoing reasons for withholding certification are resolved, certification will be made for amounts previously withheld in the manner set forth in Section 5.1.3 above.

§5.1.5 The issuance of a separate Certificate for Payment will constitute representations made separately by the County Engineer or his designee to the Owner, based on its individual observations at the site and the data comprising the Application for Payment submitted by the Contractor, that the Work has progressed to the point indicated and that, to the best of the County Engineer or his designee's knowledge, information and belief, quality of the Work is in accordance with the Contract Documents.

The foregoing representations are subject to an evaluation of the Work for conformance with the Contract Documents upon Substantial Completion, to results of subsequent tests and inspections, to minor deviations from the Contract Documents correctable prior to completion and to specific qualifications expressed by the County Engineer or his designee. The

issuance of a separate Certificate of Payment will further constitute a representation that the Contractor is entitled to payment in the amount certified. However, the issuance of a separate Certificate for Payment will not be a representation that the County Engineer or his designees has (1) made exhaustive or continuous on-site inspections to check the quality or quantity of the Work; (2) reviewed the Contractor's construction means, methods, techniques, sequences or procedures; (3) reviewed copies of requisitions received from Subcontractor's and materials suppliers and other data requested by the Owner to substantiate the Contractor's right to payment; or (4) made examination to ascertain how or for what purpose the Contractor has used money previously paid on account of the Contract Sum.

§5.1.6 Each Application for Payment shall be based on the most recent schedule of values submitted by the Contractor in accordance with the Contract Documents. The schedule of values shall allocate the entire Contract Sum among the various portions of the Work. The schedule of values shall be prepared in such form and supported by such data to substantiate its accuracy as the County Engineer or his designee may require. This schedule, unless objected to by the County Engineer or his designee, shall be used as a basis for reviewing the Contractor's Applications for Payment.

§5.1.7 Applications for Payment shall show the percentage of completion of each portion of the Work as of the end of the period covered by the Application for Payment.

§ 5.1.8 Subject to other provisions of the Contract Documents, the amount of each progress payment shall be computed as follows:

- .1 Take that portion of the Contract Sum properly allocable to completed Work as determined by multiplying the percentage completion of each portion of the Work by the share of the Contract Sum allocated to that portion of the Work in the schedule of values, less retainage of ~~5~~ percent ( ~~5~~ %). Pending final determination of cost to the Owner of changes in the Work, amounts not in dispute shall be included as provided in Section 7.3.9 of AIA Document A201™-2007, General Conditions of the Contract for Construction;
- .2 Add that portion of the Contract Sum properly allocable to materials and equipment delivered and suitably stored at the site for subsequent incorporation in the completed construction (or, if approved in advance by the Owner, suitably stored off the site at a location agreed upon in writing), less retainage of ~~5~~ percent ( ~~5~~ %);
- .3 Subtract the aggregate of previous payments made by the Owner; and
- .4 Subtract amounts, if any, for which the County Engineer or his designee has withheld or nullified a Certificate for Payment as provided in Section 9.5 of AIA Document A201-2007.

§5.1.9 The progress payment amount determined in accordance with Section 5.1.8 shall be further modified under the following circumstances:

- .1 Add, upon Substantial Completion of the Work, a sum sufficient to increase the total payments to the full amount of the Contract Sum, less such amounts as the County Engineer or his designee shall determine for incomplete Work, retainage applicable to such work and unsettled claims; and
- .2 Add, if final completion of the Work is thereafter materially delayed through no fault of the Contractor, any additional amounts payable in accordance with Section 9.10.3 of AIA Document A201-2007.

§5.1.10 Retainage shall be determined as follows: Pursuant to N.J.S.A. 40A:11-6.1, the Owner will withhold two percent (2%) of the amount due on each partial payment when the outstanding balance of the Contract exceeds One Hundred Thousand Dollars (\$100,000.00).

§5.1.11 Except with the Owner's prior approval, the Contractor shall not make advance payments to suppliers for materials or equipment which have not been delivered and stored at the site.

**§ 5.2 FINAL PAYMENT**

§ 5.2.1 Final payment, constituting the entire unpaid balance of the Contract Sum, shall be made by the Owner to the Contractor when

- .1 the Contractor has fully performed the Contract except for the Contractor's responsibility to correct Work as provided in Section 12.2.2 of AIA Document A201-2007, and to satisfy other requirements, if any, which extend beyond final payment; and
- .2 a final Certificate for Payment has been issued by the County Engineer or his designee.

§ 5.2.2 The Owner's final payment to the Contractor shall be made no later than 30 days after the issuance of the County Engineer or his designee's final Certificate for Payment, or as follows:

« »

**ARTICLE 6 DISPUTE RESOLUTION**

**§ 6.1 INITIAL DECISION MAKER**

The County Engineer or his designee will serve as Initial Decision Maker pursuant to Section 15.2 of AIA Document A201-2007, unless the parties appoint below another individual, not a party to this Agreement, to serve as Initial Decision Maker.

*(If the parties mutually agree, insert the name, address and other contact information of the Initial Decision Maker, if other than the County Engineer or his designee.)*

« »  
« »  
« »  
« »

## § 6.2 BINDING DISPUTE RESOLUTION

Except as provided in Section 5.1.3 of the Standard Form of Agreement between the Owner and Contractor, all claims, disputes or other matters in question between the parties to this Contract, arising out of or relating to the Project or to the Contract, or the alleged breach hereof, shall be subject one to mediation, and if not resolved, then same shall be decided in a Court of competent jurisdiction venued in Union County, New Jersey. No party may be compelled to submit any dispute concerning the Project to arbitration. In the event any claim arising from the Project is beyond the jurisdiction of the court, the Contract consents to joinder as a party to such action or alternative dispute proceeding.

## ARTICLE 7 TERMINATION OR SUSPENSION

§ 7.1 The Contract may be terminated by the Owner or the Contractor as provided in Article 14 of AIA Document A201-2007.

§ 7.2 The Work may be suspended by the Owner as provided in Article 14 of AIA Document A201-2007.

## ARTICLE 8 MISCELLANEOUS PROVISIONS

§ 8.1 Where reference is made in this Agreement to a provision of AIA Document A201-2007 or another Contract Document, the reference refers to that provision as amended or supplemented by other provisions of the Contract Documents.

§ 8.2 Payments due and unpaid under the Contract shall in no instance bear interest, except as required by law in accordance with Section 5.1.3 hereof.

§ 8.3 The Contractor shall ensure that the Project Site is maintained in a clean and safe condition at all times, based upon Owner's sole discretion. If the Contractor fails to keep the Project Site in a clean and safe condition, said failure shall result in the following:

- .1 all claims resulting from the Contractor's failure shall be the Contractor's responsibility;
- .2 said failure shall constitute an act of default and a substantial breach of the Contract giving the Owner remedies under the contract Documents; and
- .3 the Owner shall have the right to withhold any payments until the Contractor cures its failure.

Failure to do so shall authorize the Owner to withhold any Applications for payment until such time as the Contractor has rectified same. Further, if the Contractor fails to clean up as provided in the Contract Documents, the Owner may do so and the cost thereof shall be charged to the Contractor.

§ 8.4 Indemnification – See Indemnification Requirements in Bid Documents.

§ 8.5 The within contract shall be governed by and interpreted pursuant to the law of the State of New Jersey.

§ 8.6 The Contractor shall comply with the anti-discrimination provisions of N.J.S.A. 10:2-1 et seq., the New Jersey Law Against Discrimination, N.J.S.A. 10:5-1 et seq., N.J.A.C. 17:27-1.1 et seq. and shall guarantee to afford equal opportunity in performance of the Work in accordance with an affirmative action program approved by the State Treasurer. (See Page G-21).

§ 8.7 The Contractor shall submit proof of Business Registration for itself and its subcontractors to the Owner and shall provide written notice to its subcontractors and suppliers of the responsibility to submit proof of business registration to the contractor. The requirement of proof of Business Registration extends down through all levels (tiers) of the Project.

The Contractor agrees to comply with the rules and regulations promulgated pursuant to the Contractor Use Tax Collection Legislation.

For the term of the contract, the Contractor, any subcontractor, and each of their affiliates [N.J.S.A. 52:32-44(g)93], shall collect and remit to the New Jersey Director of the Division of Taxation in the Department of Treasury, the use tax due pursuant to the "Sales and Use Tax Act," P.L. 1966, c. 30 (C.54:32B-1 et seq.) on all of their sales of tangible personal property delivered into the State of New Jersey, regardless of whether the tangible personal property is intended for a contract with a contracting agency. For purposes herein, "affiliate" shall mean any entity that: (a)

directly, indirectly or constructively controls another entity; (b) is directly, indirectly, or constructively controlled by another entity; or (c) is subject to the control of a common entity. For purposes of the immediately preceding sentence, an entity controls another entity if it owns, directly or indirectly, more than fifty percent (50%) of the Ownership interest in that entity.

§8.8 This Standard Form of Agreement and the General Conditions set forth in the Bid Documents shall control in the case of conflict between these documents and the Project Specifications, the Project Manual, and any other exhibits incorporated by reference in this Contract.

#### ARTICLE 9 ENUMERATION OF CONTRACT DOCUMENTS

§ 9.1 The Contract Documents, except for Modifications issued after execution of this Agreement, are enumerated in the sections below, and incorporated herein as if set forth in their entirety.

§ 9.1.1 The Agreement is this executed AIA Document A101-2007, Standard Form of Agreement Between Owner and Contractor.

§ 9.1.2 The General Conditions are AIA Document A201-2007, General Conditions of the Contract for Construction.

§ 9.1.3 The Supplementary and other Conditions of the Contract:

Document	Title	Date	Pages

§ 9.1.4 The Specifications:

*(Either list the Specifications here or refer to an exhibit attached to this Agreement.)*

« See Specifications as referenced by Exhibit B.

Section	Title	Date	Pages

§ 9.1.5 The Drawings:

*(Either list the Drawings here or refer to an exhibit attached to this Agreement.)*

« See List of Drawings, annexed hereto as Exhibit C.

Number	Title	Date

§ 9.1.6 The Addenda, if any:

Number	Date	Pages

Portions of Addenda relating to bidding requirements are not part of the Contract Documents unless the bidding requirements are also enumerated in this Article 9.

§ 9.1.7 Additional documents, if any, forming part of the Contract Documents:

.1 AIA Document E201™-2007, Digital Data Protocol Exhibit, if completed by the parties, or the following:

■

.2 Other documents, if any, listed below:

■



**ARTICLE 10 INSURANCE AND BONDS**

The Contractor shall purchase and maintain insurance and provide bonds as set forth in Article 11 of AIA Document A201-2007.

(State bonding requirements, if any, and limits of liability for insurance required in Article 11 of AIA Document A201-2007.)

Type of insurance or bond

Limit of liability or bond amount (\$0.00)

This Agreement entered into as of the day and year first written above.

OWNER (Signature)

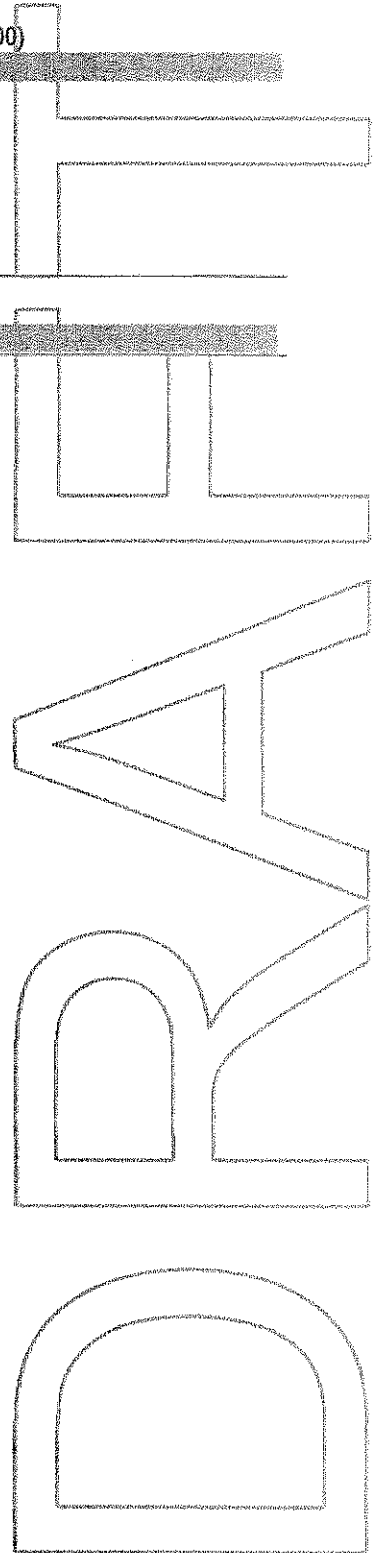
<><>

(Printed name and title)

CONTRACTOR (Signature)

<><>

(Printed name and title)



# DRAFT AIA Document A201™ - 2007

## General Conditions of the Contract for Construction

for the following PROJECT:

(Name and location or address)

«County of Union»

« »

THE OWNER:

(Name, legal status and address)

« »

« »

THE ENGINEER, OR HIS DESIGNEE :

(Name, legal status and address)

« »

« »

### TABLE OF ARTICLES

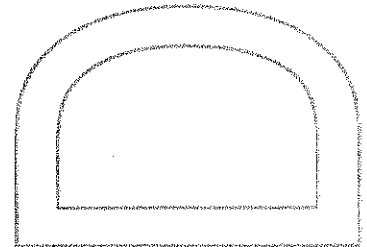
- 1 GENERAL PROVISIONS
- 2 OWNER
- 3 CONTRACTOR
- 4 ENGINEER, OR HIS DESIGNEE :
- 5 SUBCONTRACTORS
- 6 CONSTRUCTION BY OWNER OR BY SEPARATE CONTRACTORS
- 7 CHANGES IN THE WORK
- 8 TIME
- 9 PAYMENTS AND COMPLETION
- 10 PROTECTION OF PERSONS AND PROPERTY
- 11 INSURANCE AND BONDS
- 12 UNCOVERING AND CORRECTION OF WORK
- 13 MISCELLANEOUS PROVISIONS
- 14 TERMINATION OR SUSPENSION OF THE CONTRACT
- 15 CLAIMS AND DISPUTES

#### ADDITIONS AND DELETIONS:

The author of this document has added information needed for its completion.

The author may also have revised the text of the original AIA standard form. An Additions and Deletions Report that notes added information as well as revisions to the standard form text is available from the author and should be reviewed.

This document has important legal consequences. Consultation with an attorney is encouraged with respect to its completion or modification.



ELECTRONIC COPYING of any portion of this AIA Document to another electronic file is prohibited and constitutes a violation of copyright laws as set forth in the footer of this document.



INDEX

(Topics and numbers in bold are section headings.)

Acceptance of Nonconforming Work

9.6.6, 9.9.3, 12.3

Acceptance of Work

9.6.6, 9.8.2, 9.9.3, 9.10.1, 9.10.3, 12.3

Access to Work

3.16, 6.2.1, 12.1

Accident Prevention

10

Acts and Omissions

3.2, 3.3.2, 3.12.8, 3.18, 4.2.3, 8.3.1, 9.5.1, 10.2.5, 10.2.8, 13.4.2, 13.7, 14.1, 15.2

Addenda

1.1.1, 3.11.1

Additional Costs, Claims for

3.7.4, 3.7.5, 6.1.1, 7.3.7.5, 10.3, 15.1.4

Additional Inspections and Testing

9.4.2, 9.8.3, 12.2.1, 13.5

Additional Insured

11.1.4

Additional Time, Claims for

3.2.4, 3.7.4, 3.7.5, 3.10.2, 8.3.2, 15.1.5

Administration of the Contract

3.1.3, 4.2, 9.4, 9.5

Advertisement or Invitation to Bid

1.1.1

Aesthetic Effect

4.2.13

Allowances

3.8, 7.3.8

All-risk Insurance

11.3.1, 11.3.1.1

Applications for Payment

4.2.5, 7.3.9, 9.2, 9.3, 9.4, 9.5.1, 9.6.3, 9.7, 9.10, 11.1.3

Approvals

2.1.1, 2.2.2, 2.4, 3.1.3, 3.10.2, 3.12.8, 3.12.9, 3.12.10, 4.2.7, 9.3.2, 13.5.1

Arbitration

8.3.1, 11.3.10, 13.1.1, 15.3.2, 15.4

ENGINEER, OR HIS DESIGNEE

4

Engineer, or his designee, Definition of

4.1.1

Engineer, or his designee, Extent of Authority

2.4.1, 3.12.7, 4.1, 4.2, 5.2, 6.3, 7.1.2, 7.3.7, 7.4, 9.2, 9.3.1, 9.4, 9.5, 9.6.3, 9.8, 9.10.1, 9.10.3, 12.1, 12.2.1, 13.5.1, 13.5.2, 14.2.2, 14.2.4, 15.1.3, 15.2.1

Engineer, or his designee, Limitations of Authority and Responsibility

2.1.1, 3.12.4, 3.12.8, 3.12.10, 4.1.2, 4.2.1, 4.2.2, 4.2.3, 4.2.6, 4.2.7, 4.2.10, 4.2.12, 4.2.13, 5.2.1, 7.4, 9.4.2, 9.5.3, 9.6.4, 15.1.3, 15.2

Engineer, or his designee's Additional Services and Expenses

2.4.1, 11.3.1.1, 12.2.1, 13.5.2, 13.5.3, 14.2.4

Engineer, or his designee's Administration of the Contract

3.1.3, 4.2, 3.7.4, 15.2, 9.4.1, 9.5

Engineer, or his designee's Approvals

2.4.1, 3.1.3, 3.5, 3.10.2, 4.2.7

Engineer, or his designee's Authority to Reject Work

3.5, 4.2.6, 12.1.2, 12.2.1

Engineer, or his designee's Copyright

1.1.7, 1.5

Engineer, or his designee's Decisions

3.7.4, 4.2.6, 4.2.7, 4.2.11, 4.2.12, 4.2.13, 4.2.14, 6.3, 7.3.7, 7.3.9, 8.1.3, 8.3.1, 9.2, 9.4.1, 9.5, 9.8.7, 9.9.1, 13.5.2, 15.2, 15.3

Engineer, or his designee's Inspections

3.7.4, 4.2.2, 4.2.9, 9.4.2, 9.8.3, 9.9.2, 9.10.1, 13.5

Engineer, or his designee's Instructions

3.2.4, 3.3.1, 4.2.6, 4.2.7, 13.5.2

Engineer, or his designee's Interpretations

4.2.11, 4.2.12

Engineer, or his designee's Project Representative

4.2.10

Engineer, or his designee's Relationship with Contractor

1.1.2, 1.5, 3.1.3, 3.2.2, 3.2.3, 3.2.4, 3.3.1, 3.4.2, 3.5, 3.7.4, 3.7.5, 3.9.2, 3.9.3, 3.10, 3.11, 3.12, 3.16, 3.18, 4.1.2, 4.1.3, 4.2, 5.2, 6.2.2, 7, 8.3.1, 9.2, 9.3, 9.4, 9.5, 9.7, 9.8, 9.9, 10.2.6, 10.3, 11.3.7, 12, 13.4.2, 13.5, 15.2

Engineer, or his designee's Relationship with Subcontractors

1.1.2, 4.2.3, 4.2.4, 4.2.6, 9.6.3, 9.6.4, 11.3.7

Engineer, or his designee's Representations

9.4.2, 9.5.1, 9.10.1

Engineer, or his designee's Site Visits

3.7.4, 4.2.2, 4.2.9, 9.4.2, 9.5.1, 9.9.2, 9.10.1, 13.5

Asbestos

10.3.1

Attorneys' Fees

3.18.1, 9.10.2, 10.3.3

Award of Separate Contracts

6.1.1, 6.1.2

Award of Subcontracts and Other Contracts for Portions of the Work

5.2

Basic Definitions

1.1

Bidding Requirements

1.1.1, 5.2.1, 11.4.1

Binding Dispute Resolution

9.7, 11.3.9, 11.3.10, 13.1.1, 15.2.5, 15.2.6.1, 15.3.1, 15.3.2, 15.4.1

**Boiler and Machinery Insurance**  
 11.3.2  
**Bonds, Lien**  
 7.3.7.4, 9.10.2, 9.10.3  
**Bonds, Performance, and Payment**  
 7.3.7.4, 9.6.7, 9.10.3, 11.3.9, 11.4  
**Building Permit**  
 3.7.1  
**Capitalization**  
 1.3  
**Certificate of Substantial Completion**  
 9.8.3, 9.8.4, 9.8.5  
**Certificates for Payment**  
 4.2.1, 4.2.5, 4.2.9, 9.3.3, 9.4, 9.5, 9.6.1, 9.6.6, 9.7,  
 9.10.1, 9.10.3, 14.1.1.3, 14.2.4, 15.1.3  
**Certificates of Inspection, Testing or Approval**  
 13.5.4  
**Certificates of Insurance**  
 9.10.2, 11.1.3  
**Change Orders**  
 1.1.1, 2.4.1, 3.4.2, 3.7.4, 3.8.2.3, 3.11.1, 3.12.8, 4.2.8,  
 5.2.3, 7.1.2, 7.1.3, 7.2, 7.3.2, 7.3.6, 7.3.9, 7.3.10,  
 8.3.1, 9.3.1.1, 9.10.3, 10.3.2, 11.3.1.2, 11.3.4, 11.3.9,  
 12.1.2, 15.1.3  
**Change Orders, Definition of**  
 7.2.1  
**CHANGES IN THE WORK**  
 2.2.1, 3.11, 4.2.8, 7, 7.2.1, 7.3.1, 7.4, 8.3.1, 9.3.1.1,  
 11.3.9  
**Claims, Definition of**  
 15.1.1  
**CLAIMS AND DISPUTES**  
 3.2.4, 6.1.1, 6.3, 7.3.9, 9.3.3, 9.10.4, 10.3.3, 15, 15.4  
**Claims and Timely Assertion of Claims**  
 15.4.1  
**Claims for Additional Cost**  
 3.2.4, 3.7.4, 6.1.1, 7.3.9, 10.3.2, 15.1.4  
**Claims for Additional Time**  
 3.2.4, 3.7.4.6.1.1, 8.3.2, 10.3.2, 15.1.5  
**Concealed or Unknown Conditions, Claims for**  
 3.7.4  
**Claims for Damages**  
 3.2.4, 3.18, 6.1.1, 8.3.3, 9.5.1, 9.6.7, 10.3.3, 11.1.1,  
 11.3.5, 11.3.7, 14.1.3, 14.2.4, 15.1.6  
**Claims Subject to Arbitration**  
 15.3.1, 15.4.1  
**Cleaning Up**  
 3.15, 6.3  
**Commencement of the Work, Conditions Relating to**  
 2.2.1, 3.2.2, 3.4.1, 3.7.1, 3.10.1, 3.12.6, 5.2.1, 5.2.3,  
 6.2.2, 8.1.2, 8.2.2, 8.3.1, 11.1, 11.3.1, 11.3.6, 11.4.1,  
 15.1.4  
**Commencement of the Work, Definition of**  
 8.1.2  
**Communications Facilitating Contract Administration**  
 3.9.1, 4.2.4

**Completion, Conditions Relating to**  
 3.4.1, 3.11, 3.15, 4.2.2, 4.2.9, 8.2, 9.4.2, 9.8, 9.9.1,  
 9.10, 12.2, 13.7, 14.1.2

**COMPLETION, PAYMENTS AND**  
 9

**Completion, Substantial**  
 4.2.9, 8.1.1, 8.1.3, 8.2.3, 9.4.2, 9.8, 9.9.1, 9.10.3,  
 12.2, 13.7

**Compliance with Laws**  
 1.6.1, 3.2.3, 3.6, 3.7, 3.12.10, 3.13, 4.1.1, 9.6.4,  
 10.2.2, 11.1, 11.3, 13.1, 13.4, 13.5.1, 13.5.2, 13.6,  
 14.1.1, 14.2.1.3, 15.2.8, 15.4.2, 15.4.3

**Concealed or Unknown Conditions**  
 3.7.4, 4.2.8, 8.3.1, 10.3

**Conditions of the Contract**

1.1.1, 6.1.1, 6.1.4

**Consent, Written**

3.4.2, 3.7.4, 3.12.8, 3.14.2, 4.1.2, 9.3.2, 9.8.5, 9.9.1,  
 9.10.2, 9.10.3, 11.3.1, 13.2, 13.4.2, 15.4.4.2

**Consolidation or Joinder**

15.4.4

**CONSTRUCTION BY OWNER OR BY SEPARATE CONTRACTORS**

1.1.4, 6

**Construction Change Directive, Definition of**  
 7.3.1

**Construction Change Directives**

1.1.1, 3.4.2, 3.12.8, 4.2.8, 7.1.1, 7.1.2, 7.1.3, 7.3,  
 9.3.1.1

**Construction Schedules, Contractor's**

3.10, 3.12.1, 3.12.2, 6.1.3, 15.1.5.2

**Contingent Assignment of Subcontracts**

5.4, 14.2.2.2

**Continuing Contract Performance**

15.1.3

**Contract, Definition of**

1.1.2

**CONTRACT, TERMINATION OR SUSPENSION OF THE**

5.4.1.1, 11.3.9, 14

**Contract Administration**

3.1.3, 4, 9.4, 9.5

**Contract Award and Execution, Conditions Relating to**

3.7.1, 3.10, 5.2, 6.1, 11.1.3, 11.3.6, 11.4.1

**Contract Documents, Copies Furnished and Use of**  
 1.5.2, 2.2.5, 5.3

**Contract Documents, Definition of**

1.1.1

**Contract Sum**

3.7.4, 3.8, 5.2.3, 7.2, 7.3, 7.4, 9.1, 9.4.2, 9.5.1.4,  
 9.6.7, 9.7, 10.3.2, 11.3.1, 14.2.4, 14.3.2, 15.1.4,  
 15.2.5

**Contract Sum, Definition of**

9.1

Contract Time  
3.7.4, 3.7.5, 3.10.2, 5.2.3, 7.2.1.3, 7.3.1, 7.3.5, 7.4,  
8.1.1, 8.2.1, 8.3.1, 9.5.1, 9.7, 10.3.2, 12.1.1, 14.3.2,  
15.1.5.1, 15.2.5

Contract Time, Definition of  
8.1.1

**CONTRACTOR**  
3

Contractor, Definition of  
3.1, 6.1.2

Contractor's Construction Schedules  
3.10, 3.12.1, 3.12.2, 6.1.3, 15.1.5.2

Contractor's Employees  
3.3.2, 3.4.3, 3.8.1, 3.9, 3.18.2, 4.2.3, 4.2.6, 10.2, 10.3,  
11.1.1, 11.3.7, 14.1, 14.2.1.1

Contractor's Liability Insurance  
11.1

Contractor's Relationship with Separate Contractors  
and Owner's Forces  
3.12.5, 3.14.2, 4.2.4, 6, 11.3.7, 12.1.2, 12.2.4

Contractor's Relationship with Subcontractors  
1.2.2, 3.3.2, 3.18.1, 3.18.2, 5, 9.6.2, 9.6.7, 9.10.2,  
11.3.1.2, 11.3.7, 11.3.8

Contractor's Relationship with the Engineer, or his  
designee  
1.1.2, 1.5, 3.1.3, 3.2.2, 3.2.3, 3.2.4, 3.3.1, 3.4.2, 3.5,  
3.7.4, 3.10, 3.11, 3.12, 3.16, 3.18, 4.1.3, 4.2, 5.2,  
6.2.2, 7, 8.3.1, 9.2, 9.3, 9.4, 9.5, 9.7, 9.8, 9.9, 10.2.6,  
10.3, 11.3.7, 12, 13.5, 15.1.2, 15.2.1

Contractor's Representations  
3.2.1, 3.2.2, 3.5, 3.12.6, 6.2.2, 8.2.1, 9.3.3, 9.8.2

Contractor's Responsibility for Those Performing the  
Work  
3.3.2, 3.18, 5.3.1, 6.1.3, 6.2, 9.5.1, 10.2.8

Contractor's Review of Contract Documents  
3.2

Contractor's Right to Stop the Work  
9.7

Contractor's Right to Terminate the Contract  
14.1, 15.1.6

Contractor's Submittals  
3.10, 3.11, 3.12.4, 4.2.7, 5.2.1, 5.2.3, 9.2, 9.3, 9.8.2,  
9.8.3, 9.9.1, 9.10.2, 9.10.3, 11.1.3, 11.4.2

Contractor's Superintendent  
3.9, 10.2.6

Contractor's Supervision and Construction  
Procedures  
1.2.2, 3.3, 3.4, 3.12.10, 4.2.2, 4.2.7, 6.1.3, 6.2.4,  
7.1.3, 7.3.5, 7.3.7, 8.2, 10, 12, 14, 15.1.3

Contractual Liability Insurance  
11.1.1.8, 11.2

Coordination and Correlation  
1.2, 3.2.1, 3.3.1, 3.10, 3.12.6, 6.1.3, 6.2.1

Copies Furnished of Drawings and Specifications  
1.5, 2.2.5, 3.11

Copyrights  
1.5, 3.17

Correction of Work  
2.3, 2.4, 3.7.3, 9.4.2, 9.8.2, 9.8.3, 9.9.1, 12.1.2, 12.2

Correlation and Intent of the Contract Documents  
1.2

Cost, Definition of  
7.3.7

Costs  
2.4.1, 3.2.4, 3.7.3, 3.8.2, 3.15.2, 5.4.2, 6.1.1, 6.2.3,  
7.3.3.3, 7.3.7, 7.3.8, 7.3.9, 9.10.2, 10.3.2, 10.3.6,  
11.3, 12.1.2, 12.2.1, 12.2.4, 13.5, 14

Cutting and Patching  
3.14, 6.2.5

Damage to Construction of Owner or Separate  
Contractors  
3.14.2, 6.2.4, 10.2.1.2, 10.2.5, 10.4, 11.1.1, 11.3,  
12.2.4

Damage to the Work  
3.14.2, 9.9.1, 10.2.1.2, 10.2.5, 10.4.1, 11.3.1, 12.2.4

Damages, Claims for  
3.2.4, 3.18, 6.1.1, 8.3.3, 9.5.1, 9.6.7, 10.3.3, 11.1.1,  
11.3.5, 11.3.7, 14.1.3, 14.2.4, 15.1.6

Damages for Delay  
6.1.1, 8.3.3, 9.5.1.6, 9.7, 10.3.2

Date of Commencement of the Work, Definition of  
8.1.2

Date of Substantial Completion, Definition of  
8.1.3

Day, Definition of  
8.1.4

Decisions of the Engineer, or his designee  
3.7.4, 4.2.6, 4.2.7, 4.2.11, 4.2.12, 4.2.13, 15.2, 6.3,  
7.3.7, 7.3.9, 8.1.3, 8.3.1, 9.2, 9.4, 9.5.1, 9.8.4, 9.9.1,  
13.5.2, 14.2.2, 14.2.4, 15.1, 15.2

Decisions to Withhold Certification  
9.4.1, 9.5, 9.7, 14.1.1.3

Defective or Nonconforming Work, Acceptance,  
Rejection and Correction of  
2.3.1, 2.4.1, 3.5, 4.2.6, 6.2.5, 9.5.1, 9.5.2, 9.6.6, 9.8.2,  
9.9.3, 9.10.4, 12.2.1

Definitions  
1.1, 2.1.1, 3.1.1, 3.5, 3.12.1, 3.12.2, 3.12.3, 4.1.1,  
15.1.1, 5.1, 6.1.2, 7.2.1, 7.3.1, 8.1, 9.1, 9.8.1

Delays and Extensions of Time  
3.2, 3.7.4, 5.2.3, 7.2.1, 7.3.1, 7.4, 8.3, 9.5.1, 9.7,  
10.3.2, 10.4.1, 14.3.2, 15.1.5, 15.2.5

Disputes  
6.3, 7.3.9, 15.1, 15.2

Documents and Samples at the Site  
3.11

Drawings, Definition of  
1.1.5

Drawings and Specifications, Use and Ownership of  
3.11

Effective Date of Insurance  
8.2.2, 11.1.2

Emergencies  
10.4, 14.1.1.2, 15.1.4

Employees, Contractor's  
 3.3.2, 3.4.3, 3.8.1, 3.9, 3.18.2, 4.2.3, 4.2.6, 10.2,  
 10.3.3, 11.1.1, 11.3.7, 14.1, 14.2.1.1

Equipment, Labor, Materials or  
 1.1.3, 1.1.6, 3.4, 3.5, 3.8.2, 3.8.3, 3.12, 3.13.1, 3.15.1,  
 4.2.6, 4.2.7, 5.2.1, 6.2.1, 7.3.7, 9.3.2, 9.3.3, 9.5.1.3,  
 9.10.2, 10.2.1, 10.2.4, 14.2.1.1, 14.2.1.2

Execution and Progress of the Work  
 1.1.3, 1.2.1, 1.2.2, 2.2.3, 2.2.5, 3.1, 3.3.1, 3.4.1, 3.5,  
 3.7.1, 3.10.1, 3.12, 3.14, 4.2, 6.2.2, 7.1.3, 7.3.5, 8.2,  
 9.5.1, 9.9.1, 10.2, 10.3, 12.2, 14.2, 14.3.1, 15.1.3

Extensions of Time  
 3.2.4, 3.7.4, 5.2.3, 7.2.1, 7.3, 7.4, 9.5.1, 9.7, 10.3.2,  
 10.4.1, 14.3, 15.1.5, 15.2.5

Failure of Payment  
 9.5.1.3, 9.7, 9.10.2, 13.6, 14.1.1.3, 14.2.1.2

Faulty Work  
 (See Defective or Nonconforming Work)

Final Completion and Final Payment  
 4.2.1, 4.2.9, 9.8.2, 9.10, 11.1.2, 11.1.3, 11.3.1, 11.3.5,  
 12.3.1, 14.2.4, 14.4.3

Financial Arrangements, Owner's  
 2.2.1, 13.2.2, 14.1.1.4

Fire and Extended Coverage Insurance  
 11.3.1.1

**GENERAL PROVISIONS**

**1**

**Governing Law**

**13.1**

Guarantees (See Warranty)

**Hazardous Materials**  
 10.2.4, 10.3

Identification of Subcontractors and Suppliers  
 5.2.1

**Indemnification**  
 3.17, 3.18, 9.10.2, 10.3.3, 10.3.5, 10.3.6, 11.3.1.2,  
 11.3.7

**Information and Services Required of the Owner**  
 2.1.2, 2.2, 3.2.2, 3.12.4, 3.12.10, 6.1.3, 6.1.4, 6.2.5,  
 9.6.1, 9.6.4, 9.9.2, 9.10.3, 10.3.3, 11.2, 11.4, 13.5.1,  
 13.5.2, 14.1.1.4, 14.1.4, 15.1.3

**Initial Decision**  
 15.2

**Initial Decision Maker, Definition of**  
 1.1.8

**Initial Decision Maker, Decisions**  
 14.2.2, 14.2.4, 15.2.1, 15.2.2, 15.2.3, 15.2.4, 15.2.5

**Initial Decision Maker, Extent of Authority**  
 14.2.2, 14.2.4, 15.1.3, 15.2.1, 15.2.2, 15.2.3, 15.2.4,  
 15.2.5

**Injury or Damage to Person or Property**  
 10.2.8, 10.4.1

**Inspections**  
 3.1.3, 3.3.3, 3.7.1, 4.2.2, 4.2.6, 4.2.9, 9.4.2, 9.8.3,  
 9.9.2, 9.10.1, 12.2.1, 13.5

**Instructions to Bidders**  
 1.1.1

**Instructions to the Contractor**  
 3.2.4, 3.3.1, 3.8.1, 5.2.1, 7, 8.2.2, 12, 13.5.2

**Instruments of Service, Definition of**  
 1.1.7

**Insurance**  
 3.18.1, 6.1.1, 7.3.7, 9.3.2, 9.8.4, 9.9.1, 9.10.2, 11

**Insurance, Boiler and Machinery**  
 11.3.2

**Insurance, Contractor's Liability**  
 11.1

**Insurance, Effective Date of**  
 8.2.2, 11.1.2

**Insurance, Loss of Use**  
 11.3.3

**Insurance, Owner's Liability**  
 11.2

**Insurance, Property**  
 10.2.5, 11.3

**Insurance, Stored Materials**  
 9.3.2

**INSURANCE AND BONDS**  
 11

**Insurance Companies, Consent to Partial Occupancy**  
 9.9.1

**Intent of the Contract Documents**  
 1.2.1, 4.2.7, 4.2.12, 4.2.13, 7.4

**Interest**  
 13.6

**Interpretation**  
 1.2.3, 1.4, 4.1.1, 5.1, 6.1.2, 15.1.4

**Interpretations, Written**  
 4.2.11, 4.2.12, 15.1.4

**Judgment on Final Award**  
 15.4.2

**Labor and Materials, Equipment**  
 1.1.3, 1.1.6, 3.4, 3.5, 3.8.2, 3.8.3, 3.12, 3.13, 3.15.1,  
 4.2.6, 4.2.7, 5.2.1, 6.2.1, 7.3.7, 9.3.2, 9.3.3, 9.5.1.3,  
 9.10.2, 10.2.1, 10.2.4, 14.2.1.1, 14.2.1.2

**Labor Disputes**  
 8.3.1

**Laws and Regulations**  
 1.5, 3.2.3, 3.6, 3.7, 3.12.10, 5.13.1, 4.1.1, 9.6.4, 9.9.1,  
 10.2.2, 11.1.1, 11.3, 13.1.1, 13.4, 13.5.1, 13.5.2,  
 13.6.1, 14, 15.2.8, 15.4

**Liens**  
 2.1.2, 9.3.3, 9.10.2, 9.10.4, 15.2.8

**Limitations, Statutes of**  
 12.2.5, 13.7, 15.4.1.1

**Limitations of Liability**  
 2.3.1, 3.2.2, 3.5, 3.12.10, 3.17, 3.18.1, 4.2.6, 4.2.7,  
 4.2.12, 6.2.2, 9.4.2, 9.6.4, 9.6.7, 10.2.5, 10.3.3,  
 11.1.2, 11.2, 11.3.7, 12.2.5, 13.4.2

**Limitations of Time**  
 2.1.2, 2.2, 2.4, 3.2.2, 3.10, 3.11, 3.12.5, 3.15.1, 4.2.7,  
 5.2, 5.3.1, 5.4.1, 6.2.4, 7.3, 7.4, 8.2, 9.2, 9.3.1, 9.3.3,  
 9.4.1, 9.5, 9.6, 9.7, 9.8, 9.9, 9.10, 11.1.3, 11.3.1.5,  
 11.3.6, 11.3.10, 12.2, 13.5, 13.7, 14, 15

**Loss of Use Insurance**  
 11.3.3  
**Material Suppliers**  
 1.5, 3.12.1, 4.2.4, 4.2.6, 5.2.1, 9.3, 9.4.2, 9.6, 9.10.5  
**Materials, Hazardous**  
 10.2.4, 10.3  
**Materials, Labor, Equipment and**  
 1.1.3, 1.1.6, 1.5.1, 3.4.1, 3.5, 3.8.2, 3.8.3, 3.12,  
 3.13.1, 3.15.1, 4.2.6, 4.2.7, 5.2.1, 6.2.1, 7.3.7, 9.3.2,  
 9.3.3, 9.5.1.3, 9.10.2, 10.2.1.2, 10.2.4, 14.2.1.1,  
 14.2.1.2  
**Means, Methods, Techniques, Sequences and**  
**Procedures of Construction**  
 3.3.1, 3.12.10, 4.2.2, 4.2.7, 9.4.2  
**Mechanic's Lien**  
 2.1.2, 15.2.8  
**Mediation**  
 8.3.1, 10.3.5, 10.3.6, 15.2.1, 15.2.5, 15.2.6, 15.3,  
 15.4.1  
**Minor Changes in the Work**  
 1.1.1, 3.12.8, 4.2.8, 7.1, 7.4  
**MISCELLANEOUS PROVISIONS**  
 13  
**Modifications, Definition of**  
 1.1.1  
**Modifications to the Contract**  
 1.1.1, 1.1.2, 3.11, 4.1.2, 4.2.1, 5.2.3, 7, 8.3.1, 9.7,  
 10.3.2, 11.3.1  
**Mutual Responsibility**  
 6.2  
**Nonconforming Work, Acceptance of**  
 9.6.6, 9.9.3, 12.3  
**Nonconforming Work, Rejection and Correction of**  
 2.3.1, 2.4.1, 3.5, 4.2.6, 6.2.4, 9.5.1, 9.8.2, 9.9.3,  
 9.10.4, 12.2.1  
**Notice**  
 2.2.1, 2.3.1, 2.4.1, 3.2.4, 3.3.1, 3.7.2, 3.12.9, 5.2.1,  
 9.7, 9.10, 10.2.2, 11.1.3, 12.2.2.1, 13.3, 13.5.1,  
 13.5.2, 14.1, 14.2, 15.2.8, 15.4.1  
**Notice, Written**  
 2.3.1, 2.4.1, 3.3.1, 3.9.2, 3.12.9, 3.12.10, 5.2.1, 9.7,  
 9.10, 10.2.2, 10.3, 11.1.3, 11.3.6, 12.2.2.1, 13.3, 14,  
 15.2.8, 15.4.1  
**Notice of Claims**  
 3.7.4, 10.2.8, 15.1.2, 15.4  
**Notice of Testing and Inspections**  
 13.5.1, 13.5.2  
**Observations, Contractor's**  
 3.2, 3.7.4  
**Occupancy**  
 2.2.2, 9.6.6, 9.8, 11.3.1.5  
**Orders, Written**  
 1.1.1, 2.3, 3.9.2, 7, 8.2.2, 11.3.9, 12.1, 12.2.2.1,  
 13.5.2, 14.3.1  
**OWNER**  
 2

**Owner, Definition of**  
 2.1.1  
**Owner, Information and Services Required of the**  
 2.1.2, 2.2, 3.2.2, 3.12.10, 6.1.3, 6.1.4, 6.2.5, 9.3.2,  
 9.6.1, 9.6.4, 9.9.2, 9.10.3, 10.3.3, 11.2, 11.3, 13.5.1,  
 13.5.2, 14.1.1.4, 14.1.4, 15.1.3  
**Owner's Authority**  
 1.5, 2.1.1, 2.3.1, 2.4.1, 3.4.2, 3.8.1, 3.12.10, 3.14.2,  
 4.1.2, 4.1.3, 4.2.4, 4.2.9, 5.2.1, 5.2.4, 5.4.1, 6.1, 6.3,  
 7.2.1, 7.3.1, 8.2.2, 8.3.1, 9.3.1, 9.3.2, 9.3.1, 9.6.4,  
 9.9.1, 9.10.2, 10.3.2, 11.1.3, 11.3.3, 11.3.10, 12.2.2,  
 12.3.1, 13.2.2, 14.3, 14.4, 15.2.7  
**Owner's Financial Capability**  
 2.2.1, 13.2.2, 14.1.1.4  
**Owner's Liability Insurance**  
 11.2  
**Owner's Relationship with Subcontractors**  
 1.1.2, 5.2, 5.3, 5.4, 9.6.4, 9.10.2, 14.2.2  
**Owner's Right to Carry Out the Work**  
 2.4, 14.2.2  
**Owner's Right to Clean Up**  
 6.3  
**Owner's Right to Perform Construction and to**  
**Award Separate Contracts**  
 6.1  
**Owner's Right to Stop the Work**  
 2.3  
**Owner's Right to Suspend the Work**  
 14.3  
**Owner's Right to Terminate the Contract**  
 14.2  
**Ownership and Use of Drawings, Specifications**  
**and Other Instruments of Service**  
 1.1.1, 1.1.6, 1.1.7, 1.5, 2.2.5, 3.2.2, 3.11.1, 3.17,  
 4.2.12, 5.3.1  
**Partial Occupancy or Use**  
 9.6.6, 9.9, 11.3.1.5  
**Patching, Cutting and**  
 3.14, 6.2.5  
**Patents**  
 3.17  
**Payment, Applications for**  
 4.2.5, 7.3.9, 9.2, 9.3, 9.4, 9.5, 9.6.3, 9.7, 9.8.5, 9.10.1,  
 14.2.3, 14.2.4, 14.4.3  
**Payment, Certificates for**  
 4.2.5, 4.2.9, 9.3.3, 9.4, 9.5, 9.6.1, 9.6.6, 9.7, 9.10.1,  
 9.10.3, 13.7, 14.1.1.3, 14.2.4  
**Payment, Failure of**  
 9.5.1.3, 9.7, 9.10.2, 13.6, 14.1.1.3, 14.2.1.2  
**Payment, Final**  
 4.2.1, 4.2.9, 9.8.2, 9.10, 11.1.2, 11.1.3, 11.4.1, 12.3.1,  
 13.7, 14.2.4, 14.4.3  
**Payment Bond, Performance Bond and**  
 7.3.7.4, 9.6.7, 9.10.3, 11.4  
**Payments, Progress**  
 9.3, 9.6, 9.8.5, 9.10.3, 13.6, 14.2.3, 15.1.3

## PAYMENTS AND COMPLETION

9

Payments to Subcontractors

5.4.2, 9.5.1.3, 9.6.2, 9.6.3, 9.6.4, 9.6.7, 14.2.1.2

PCB

10.3.1

Performance Bond and Payment Bond

7.3.7.4, 9.6.7, 9.10.3, 11.4

Permits, Fees, Notices and Compliance with Laws

2.2.2, 3.7, 3.13, 7.3.7.4, 10.2.2

## PERSONS AND PROPERTY, PROTECTION OF

10

Polychlorinated Biphenyl

10.3.1

Product Data, Definition of

3.12.2

Product Data and Samples, Shop Drawings

3.11, 3.12, 4.2.7

Progress and Completion

4.2.2, 8.2, 9.8, 9.9.1, 14.1.4, 15.1.3

Progress Payments

9.3, 9.6, 9.8.5, 9.10.3, 13.6, 14.2.3, 15.1.3

Project, Definition of

1.1.4

Project Representatives

4.2.10

Property Insurance

10.2.5, 11.3

## PROTECTION OF PERSONS AND PROPERTY

10

Regulations and Laws

1.5, 3.2.3, 3.6, 3.7, 3.12.10, 3.13, 4.1.1, 9.6.4, 9.9.1, 10.2.2, 11.1, 11.4, 13.1, 13.4, 13.5.1, 13.5.2, 13.6, 14, 15.2.8, 15.4

Rejection of Work

3.5, 4.2.6, 12.2.1

Releases and Waivers of Liens

9.10.2

Representations

3.2.1, 3.5, 3.12.6, 6.2.2, 8.2.1, 9.3.3, 9.4.2, 9.5.1, 9.8.2, 9.10.1

Representatives

2.1.1, 3.1.1, 3.9, 4.1.1, 4.2.1, 4.2.2, 4.2.10, 5.1.1, 5.1.2, 13.2.1

Responsibility for Those Performing the Work

3.3.2, 3.18, 4.2.3, 5.3.1, 6.1.3, 6.2, 6.3, 9.5.1, 10

Retainage

9.3.1, 9.6.2, 9.8.5, 9.9.1, 9.10.2, 9.10.3

Review of Contract Documents and Field Conditions by Contractor

3.2, 3.12.7, 6.1.3

Review of Contractor's Submittals by Owner and Engineer, or his designee

3.10.1, 3.10.2, 3.11, 3.12, 4.2, 5.2, 6.1.3, 9.2, 9.8.2

Review of Shop Drawings, Product Data and Samples by Contractor

3.12

Rights and Remedies

1.1.2, 2.3, 2.4, 3.5, 3.7.4, 3.15.2, 4.2.6, 5.3, 5.4, 6.1, 6.3, 7.3.1, 8.3, 9.5.1, 9.7, 10.2.5, 10.3, 12.2.2, 12.2.4, 13.4, 14, 15.4

Royalties, Patents and Copyrights

3.17

Rules and Notices for Arbitration

15.4.1

Safety of Persons and Property

10.2, 10.4

Safety Precautions and Programs

3.3.1, 4.2.2, 4.2.7, 5.3.1, 10.1, 10.2, 10.4

Samples, Definition of

3.12.3

Samples, Shop Drawings, Product Data and

3.11, 3.12, 4.2.7

Samples at the Site, Documents and

3.11

Schedule of Values

9.2, 9.3.1

Schedules, Construction

3.10, 3.12.1, 3.12.2, 6.1.3, 15.1.5.2

Separate Contracts and Contractors

1.1.4, 3.12.5, 3.14.2, 4.2.4, 4.2.7, 6, 8.3.1, 12.1.2

Shop Drawings, Definition of

3.12.1

Shop Drawings, Product Data and Samples

3.11, 3.12, 4.2.7

Site, Use of

3.13, 6.1.1, 6.2.1

Site Inspections

3.2.2, 3.3.3, 3.7.1, 3.7.4, 4.2, 9.4.2, 9.10.1, 13.5

Site Visits, Engineer, or his designee's

3.7.4, 4.2.2, 4.2.9, 9.4.2, 9.5.1, 9.9.2, 9.10.1, 13.5

Special Inspections and Testing

4.2.6, 12.2.1, 13.5

Specifications, Definition of

1.1.6

Specifications

1.1.1, 1.1.6, 1.2.2, 1.5, 3.11, 3.12.10, 3.17, 4.2.14

Statute of Limitations

13.7, 15.4.1.1

Stopping the Work

2.3, 9.7, 10.3, 14.1

Stored Materials

6.2.1, 9.3.2, 10.2.1.2, 10.2.4

Subcontractor, Definition of

5.1.1

## SUBCONTRACTORS

5

Subcontractors, Work by

1.2.2, 3.3.2, 3.12.1, 4.2.3, 5.2.3, 5.3, 5.4, 9.3.1.2, 9.6.7

**Subcontractual Relations**  
5.3, 5.4, 9.3.1.2, 9.6, 9.10, 10.2.1, 14.1, 14.2.1

**Submittals**  
3.10, 3.11, 3.12, 4.2.7, 5.2.1, 5.2.3, 7.3.7, 9.2, 9.3,  
9.8, 9.9.1, 9.10.2, 9.10.3, 11.1.3

**Submittal Schedule**  
3.10.2, 3.12.5, 4.2.7

**Subrogation, Waivers of**  
6.1.1, 11.3.7

**Substantial Completion**  
4.2.9, 8.1.1, 8.1.3, 8.2.3, 9.4.2, 9.8, 9.9.1, 9.10.3,  
12.2, 13.7

**Substantial Completion, Definition of**  
9.8.1

**Substitution of Subcontractors**  
5.2.3, 5.2.4

**Substitution of Engineer, or his designee**  
4.1.3

**Substitutions of Materials**  
3.4.2, 3.5, 7.3.8

**Sub-subcontractor, Definition of**  
5.1.2

**Subsurface Conditions**  
3.7.4

**Successors and Assigns**  
13.2

**Superintendent**  
3.9, 10.2.6

**Supervision and Construction Procedures**  
1.2.2, 3.3, 3.4, 3.12.10, 4.2.2, 4.2.7, 6.1.3, 6.2.4,  
7.1.3, 7.3.7, 8.2, 8.3.1, 9.4.2, 10, 12, 14, 15.1.3

**Surety**  
5.4.1.2, 9.8.5, 9.10.2, 9.10.3, 14.2.2, 15.2.7

**Surety, Consent of**  
9.10.2, 9.10.3

**Surveys**  
2.2.3

**Suspension by the Owner for Convenience**  
14.3

**Suspension of the Work**  
5.4.2, 14.3

**Suspension or Termination of the Contract**  
5.4.1.1, 14

**Taxes**  
3.6, 3.8.2.1, 7.3.7.4

**Termination by the Contractor**  
14.1, 15.1.6

**Termination by the Owner for Cause**  
5.4.1.1, 14.2, 15.1.6

**Termination by the Owner for Convenience**  
14.4

**Termination of the Engineer, or his designee**  
4.1.3

**Termination of the Contractor**  
14.2.2

**TERMINATION OR SUSPENSION OF THE CONTRACT**

14

**Tests and Inspections**  
3.1.3, 3.3.3, 4.2.2, 4.2.6, 4.2.9, 9.4.2, 9.8.3, 9.9.2,  
9.10.1, 10.3.2, 11.4.1.1, 12.2.1, 13.5

**TIME**  
8

**Time, Delays and Extensions of**  
3.2.4, 3.7.4, 5.2.3, 7.2.1, 7.3.1, 7.4, 8.3, 9.5.1, 9.7,  
10.3.2, 10.4.1, 14.3.2, 15.1.5, 15.2.5

**Time Limits**  
2.1.2, 2.2, 2.4, 3.2.2, 3.10, 3.11, 3.12.5, 3.15.1, 4.2,  
5.2, 5.3, 5.4, 6.2.4, 7.3, 7.4, 8.2, 9.2, 9.3.1, 9.3.3,  
9.4.1, 9.5, 9.6, 9.7, 9.8, 9.9, 9.10, 11.1.3, 12.2, 13.5,  
13.7, 14, 15.1.2, 15.4

**Time Limits on Claims**  
3.7.4, 10.2.8, 13.7, 15.1.2

**Title to Work**  
9.3.2, 9.3.3

**Transmission of Data in Digital Form**  
1.6

**UNCOVERING AND CORRECTION OF WORK**  
12

**Uncovering of Work**  
12.1

**Unforeseen Conditions, Concealed or Unknown**  
3.7.4, 8.3.1, 10.3

**Unit Prices**  
7.3.3.2, 7.3.4

**Use of Documents**  
1.1.1, 1.5, 2.2.5, 3.12.6, 5.3

**Use of Site**  
3.13, 6.1.1, 6.2.1

**Values, Schedule of**  
9.2, 9.3.1

**Waiver of Claims by the Engineer, or his designee**  
13.4.2

**Waiver of Claims by the Contractor**  
9.10.5, 13.4.2, 15.1.6

**Waiver of Claims by the Owner**  
9.9.3, 9.10.3, 9.10.4, 12.2.2.1, 13.4.2, 14.2.4, 15.1.6

**Waiver of Consequential Damages**  
14.2.4, 15.1.6

**Waiver of Liens**  
9.10.2, 9.10.4

**Waivers of Subrogation**  
6.1.1, 11.3.7

**Warranty**  
3.5, 4.2.9, 9.3.3, 9.8.4, 9.9.1, 9.10.4, 12.2.2, 13.7

**Weather Delays**  
15.1.5.2

**Work, Definition of**  
1.1.3

Use of Site

Written Consent

1.5.2, 3.4.2, 3.7.4, 3.12.8, 3.14.2, 4.1.2, 9.3.2, 9.8.5, 9.9.1, 9.10.2, 9.10.3, 11.4.1, 13.2, 13.4.2, 15.4.4.2

Written Interpretations

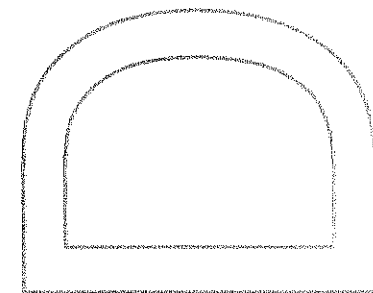
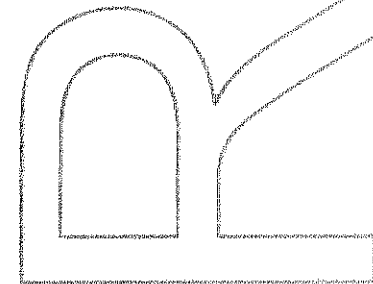
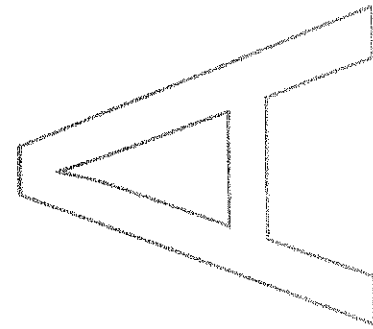
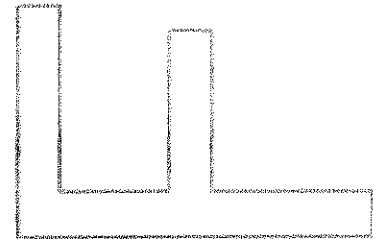
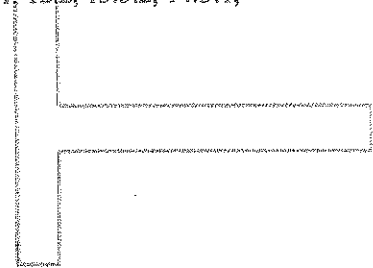
4.2.11, 4.2.12

Written Notice

2.3, 2.4, 3.3.1, 3.9, 3.12.9, 3.12.10, 5.2.1, 8.2.2, 9.7, 9.10, 10.2.2, 10.3, 11.1.3, 12.2.2, 12.2.4, 13.3, 14, 15.4.1

Written Orders

1.1.1, 2.3, 3.9, 7, 8.2.2, 12.1, 12.2, 13.5.2, 14.3.1, 15.1.2





## ARTICLE 1 GENERAL PROVISIONS

### § 1.1 BASIC DEFINITIONS

#### § 1.1.1 THE CONTRACT DOCUMENTS

The Contract Documents are enumerated in the Agreement between the Owner and Contractor (hereinafter the Agreement) and consist of the Agreement, Conditions of the Contract (General, Supplementary and other Conditions), Drawings, Specifications, Addenda issued prior to execution of the Contract, other documents listed in the Agreement and Modifications issued after execution of the Contract. A Modification is (1) a written amendment to the Contract signed by both parties, (2) a Change Order, (3) a Construction Change Directive or (4) a written order for a minor change in the Work issued by the Architect or Engineer. Unless specifically enumerated in the Agreement, the Contract Documents do not include the advertisement or invitation to bid, Instructions to Bidders, sample forms, other information furnished by the Owner in anticipation of receiving bids or proposals, the Contractor's bid or proposal, or portions of Addenda relating to bidding requirements.

#### § 1.1.2 THE CONTRACT

The Contract Documents form the Contract for Construction. The Contract represents the entire and integrated agreement between the parties hereto and supersedes prior negotiations, representations or agreements, either written or oral. The Contract may be amended or modified only by a Modification. The Contract Documents shall not be construed to create a contractual relationship of any kind (1) between the Contractor and the Engineer, or his designee or the Engineer, or his designee's consultants, (2) between the Owner and a Subcontractor or a Sub-subcontractor, (3) between the Owner and the Engineer, or his designee or the Engineer, or his designee's consultants or (4) between any persons or entities other than the Owner and the Contractor. The Engineer, or his designee's shall, however, be entitled to performance and enforcement of obligations under the Contract intended to facilitate performance of the Engineer, or his designee's duties.

#### § 1.1.3 THE WORK

The term "Work" means the construction and services required by the Contract Documents, whether completed or partially completed, and includes all other labor, materials, equipment and services provided or to be provided by the Contractor to fulfill the Contractor's obligations. The Work may constitute the whole or a part of the Project.

#### § 1.1.4 THE PROJECT

The Project is the total construction of which the Work performed under the Contract Documents may be the whole or a part and which may include construction by the Owner and by separate contractors.

#### § 1.1.5 THE DRAWINGS

The Drawings are the graphic and pictorial portions of the Contract Documents showing the design, location and dimensions of the Work, generally including plans, elevations, sections, details, schedules and diagrams.

#### § 1.1.6 THE SPECIFICATIONS

The Specifications are that portion of the Contract Documents consisting of the written requirements for materials, equipment, systems, standards and workmanship for the Work, and performance of related services.

#### § 1.1.7 INSTRUMENTS OF SERVICE

Instruments of Service are representations, in any medium of expression now known or later developed, of the tangible and intangible creative work performed by the Engineer, or his designee and the Engineer, or his designee's consultants under their respective professional services agreements. Instruments of Service may include, without limitation, studies, surveys, models, sketches, drawings, specifications, and other similar materials.

#### § 1.1.8 INITIAL DECISION MAKER

The Initial Decision Maker is the person identified in the Agreement to render initial decisions on Claims in accordance with Section 15.2 and certify termination of the Agreement under Section 14.2.2.

### § 1.2 CORRELATION AND INTENT OF THE CONTRACT DOCUMENTS

§ 1.2.1 The intent of the Contract Documents is to include all items necessary for the proper execution and completion of the Work by the Contractor. The Contract Documents are complementary, and what is required by one shall be as binding as if required by all; performance by the Contractor shall be required only to the extent

consistent with the Contract Documents and reasonably inferable from them as being necessary to produce the indicated results.

§ 1.2.2 Organization of the Specifications into divisions, sections and articles, and arrangement of Drawings shall not control the Contractor in dividing the Work among Subcontractors or in establishing the extent of Work to be performed by any trade.

§ 1.2.3 Unless otherwise stated in the Contract Documents, words that have well-known technical or construction industry meanings are used in the Contract Documents in accordance with such recognized meanings.

### § 1.3 CAPITALIZATION

Terms capitalized in these General Conditions include those that are (1) specifically defined, (2) the titles of numbered articles or (3) the titles of other documents published by the American Institute of Engineer, or his designee s.

### § 1.4 INTERPRETATION

In the interest of brevity the Contract Documents frequently omit modifying words such as "all" and "any" and articles such as "the" and "an," but the fact that a modifier or an article is absent from one statement and appears in another is not intended to affect the interpretation of either statement.

### § 1.5 OWNERSHIP AND USE OF DRAWINGS, SPECIFICATIONS AND OTHER INSTRUMENTS OF SERVICE

§ 1.5.1 The Engineer, or his designee and the Engineer, or his designee 's consultants shall be deemed the authors and Owners of their respective Instruments of Service, including the Drawings and Specifications. The Contractor, Subcontractors, Sub-subcontractors, and material or equipment suppliers shall not own or claim a copyright in the Instruments of Service. Submittal or distribution to meet official regulatory requirements or for other purposes in connection with this Project is not to be construed as publication in derogation of the Engineer, or his designee or Engineer, or his designee 's consultants' reserved rights.

§ 1.5.2 The Contractor, Subcontractors, Sub-subcontractors and material or equipment suppliers are authorized to use and reproduce the Instruments of Service provided to them solely and exclusively for execution of the Work. All copies made under this authorization shall bear the copyright notice, if any, shown on the Instruments of Service. The Contractor, Subcontractors, Sub-subcontractors, and material or equipment suppliers may not use the Instruments of Service on other projects or for additions to this Project outside the scope of the Work without the specific written consent of the Owner, Engineer, or his designee and the Engineer, or his designee 's consultants.

### § 1.6 TRANSMISSION OF DATA IN DIGITAL FORM

If the parties intend to transmit Instruments of Service or any other information or documentation in digital form, they shall endeavor to establish necessary protocols governing such transmissions, unless otherwise already provided in the Agreement or the Contract Documents.

## ARTICLE 2 OWNER

### § 2.1 GENERAL

§ 2.1.1 The Owner is the person or entity identified as such in the Agreement and is referred to throughout the Contract Documents as if singular in number. The Owner shall designate in writing a representative who shall have express authority to bind the Owner with respect to all matters requiring the Owner's approval or authorization. Except as otherwise provided elsewhere in the Contract Documents, the Engineer, or his designee does not have such authority. The term "Owner" means the Owner or the Owner's authorized representative.

### § 2.2 INFORMATION AND SERVICES REQUIRED OF THE OWNER

§ 2.2.1 The Contractor may request in writing that the Owner provide reasonable evidence that the Owner has made financial arrangements to fulfill the Owner's obligations under the Contract only in the event that: (1) the Owner fails to make payments to the Contractor as the Contract Documents require; (2) a change in the Work materially changes the Contract Sum. The Owner shall furnish such evidence as a condition precedent to commencement or continuation of the Work or the portion of the Work affected by a material change. After the Owner furnishes the evidence, the Owner shall not materially vary such financial arrangements without prior notice to the Contractor.

§ 2.2.2 Except for permits and fees that are the responsibility of the Contractor under the Contract Documents, including those required under Section 3.7.1, the Owner shall secure and pay for necessary approvals, easements, assessments and charges required for construction, use or occupancy of permanent structures or for permanent changes in existing facilities.

§ 2.2.3 If readily available, the Owner shall furnish surveys describing physical characteristics and legal limitations for the site of the Project, and a legal description of the site. The Contractor shall be entitled to rely on the accuracy of information furnished by the Owner but shall exercise proper precautions relating to the safe performance of the Work. The Contractor shall be responsible for requesting and obtaining a utility mark-out.

§ 2.2.4 The Owner shall furnish information or services required of the Owner by the Contract Documents with reasonable promptness. The Owner shall also furnish any other information or services under the Owner's control and relevant to the Contractor's performance of the Work with reasonable promptness after receiving the Contractor's written request for such information or services.

§ 2.2.5 Unless otherwise provided in the Contract Documents, the Owner shall furnish to the Contractor one copy of the Contract Documents for purposes of making reproductions pursuant to Section 1.5.2.

### § 2.3 OWNER'S RIGHT TO STOP THE WORK

If the Contractor fails to correct Work that is not in accordance with the requirements of the Contract Documents as required by Article 12 or fails to carry out Work in accordance with the Contract Documents, the Owner may issue a written order to the Contractor to stop the Work, or any portion thereof, until the cause for such order has been eliminated; however, the right of the Owner to stop the Work shall not give rise to a duty on the part of the Owner to exercise this right for the benefit of the Contractor or any other person or entity, except to the extent required by Section 6. Owner shall in no way be responsible for any delays or claims arising from delays for enforcement of this Section.

### § 2.4 OWNER'S RIGHT TO CARRY OUT THE WORK

If the Contractor defaults or neglects to carry out the Work in accordance with the Contract Documents and fails within a seven-day period after receipt of written notice from the Owner to commence and continue correction of such default or neglect with diligence and promptness, the Owner may, without prejudice to other remedies the Owner may have, correct such deficiencies. In such case an appropriate Change Order shall be issued deducting from payments then or thereafter due the Contractor the reasonable cost of correcting such deficiencies, including Owner's expenses and compensation for the Engineer, or his designee's additional services made necessary by such default, neglect or failure. If payments then or thereafter due the Contractor are not sufficient to cover such amounts, the Contractor shall pay the difference to the Owner.

## ARTICLE 3 CONTRACTOR

### § 3.1 GENERAL

§ 3.1.1 The Contractor is the person or entity identified as such in the Agreement and is referred to throughout the Contract Documents as if singular in number. The Contractor shall be lawfully licensed, if required in the jurisdiction where the Project is located and shall maintain as current any approvals or certifications that may be required to perform the Work. The term "Contractor" means the Contractor or the Contractor's authorized representative.

§ 3.1.2 The Contractor shall perform the Work in accordance with the Contract Documents.

§ 3.1.3 The Contractor shall not be relieved of obligations to perform the Work in accordance with the Contract Documents either by activities or duties of the Engineer, or his designee in the Engineer, or his designee's administration of the Contract, or by tests, inspections or approvals required or performed by persons or entities other than the Contractor.

### § 3.2 REVIEW OF CONTRACT DOCUMENTS AND FIELD CONDITIONS BY CONTRACTOR

§ 3.2.1 Execution of the Contract by the Contractor is a representation that the Contractor has visited the site, become generally familiar with local conditions under which the Work is to be performed and correlated personal observations with requirements of the Contract Documents.

§ 3.2.2 Because the Contract Documents are complementary, the Contractor shall, before starting each portion of the Work, carefully study and compare the various Contract Documents relative to that portion of the Work, as well as the information furnished by the Owner pursuant to Section 2.2.3, shall take field measurements of any existing conditions related to that portion of the Work, and shall observe any conditions at the site affecting it. These obligations are for the purpose of facilitating coordination and construction by the Contractor and are not for the purpose of discovering errors, omissions, or inconsistencies in the Contract Documents; however, the Contractor shall promptly report to the Engineer, or his designee any errors, inconsistencies or omissions discovered by or made known to the Contractor as a request for information in such form as the Engineer, or his designee may require. It is recognized that the Contractor's review is made in the Contractor's capacity as a Contractor and not as a licensed design professional, unless otherwise specifically provided in the Contract Documents.

§ 3.2.3 The Contractor is not required to ascertain that the Contract Documents are in accordance with applicable laws, statutes, ordinances, codes, rules and regulations, or lawful orders of public authorities, but the Contractor shall promptly report to the Engineer, or his designee any nonconformity discovered by or made known to the Contractor as a request for information in such form as the Engineer, or his designee may require.

§ 3.2.4 If the Contractor believes that additional cost or time is involved because of clarifications or instructions the Engineer, or his designee issues in response to the Contractor's notices or requests for information pursuant to Sections 3.2.2 or 3.2.3, the Contractor shall make Claims as provided in Article 15. If the Contractor fails to perform the obligations of Sections 3.2.2 or 3.2.3, the Contractor shall pay such costs and damages to the Owner as would have been avoided if the Contractor had performed such obligations. If the Contractor performs those obligations, the Contractor shall not be liable to the Owner or Engineer, or his designee for damages resulting from errors, inconsistencies or omissions in the Contract Documents, for differences between field measurements or conditions and the Contract Documents, or for nonconformities of the Contract Documents to applicable laws, statutes, ordinances, codes, rules and regulations, and lawful orders of public authorities.

### § 3.3 SUPERVISION AND CONSTRUCTION PROCEDURES

§ 3.3.1 The Contractor shall supervise and direct the Work, using the Contractor's best skill and attention. The Contractor shall be solely responsible for, and have control over, construction means, methods, techniques, sequences and procedures and for coordinating all portions of the Work under the Contract, unless the Contract Documents give other specific instructions concerning these matters. If the Contract Documents give specific instructions concerning construction means, methods, techniques, sequences or procedures, the Contractor shall evaluate the jobsite safety thereof and, except as stated below, shall be fully and solely responsible for the jobsite safety of such means, methods, techniques, sequences or procedures. If the Contractor determines that such means, methods, techniques, sequences or procedures may not be safe, the Contractor shall give timely written notice to the Owner and Engineer, or his designee and shall not proceed with that portion of the Work without further written instructions from the Engineer, or his designee. If the Contractor is then instructed to proceed with the required means, methods, techniques, sequences or procedures without acceptance of changes proposed by the Contractor, the Owner shall be solely responsible for any loss or damage arising solely from those Owner-required means, methods, techniques, sequences or procedures.

§ 3.3.2 The Contractor shall be responsible to the Owner for acts and omissions of the Contractor's employees, Subcontractors and their agents and employees, and other persons or entities performing portions of the Work for, or on behalf of, the Contractor or any of its Subcontractors.

§ 3.3.3 The Contractor shall be responsible for inspection of portions of Work already performed to determine that such portions are in proper condition to receive subsequent Work.

### § 3.4 LABOR AND MATERIALS

§ 3.4.1 Unless otherwise provided in the Contract Documents, the Contractor shall provide and pay for labor, materials, equipment, tools, construction equipment and machinery, water, heat, utilities, transportation, and other facilities and services necessary for proper execution and completion of the Work, whether temporary or permanent and whether or not incorporated or to be incorporated in the Work.

§ 3.4.2 Except in the case of minor changes in the Work authorized by the Engineer, or his designee in accordance with Sections 3.12.8 or 7.4, the Contractor may make substitutions only with the consent of the Owner, after

evaluation by the Engineer, or his designee and in accordance with a Change Order or Construction Change Directive.

§ 3.4.3 The Contractor shall enforce strict discipline and good order among the Contractor's employees and other persons carrying out the Work. The Contractor shall not permit employment of unfit persons or persons not properly skilled in tasks assigned to them.

### § 3.5 WARRANTY

The Contractor warrants to the Owner and Engineer, or his designee that materials and equipment furnished under the Contract will be of good quality and new unless the Contract Documents require or permit otherwise. The Contractor further warrants that the Work will conform to the requirements of the Contract Documents and will be free from defects, except for those inherent in the quality of the Work the Contract Documents require or permit. Work, materials, or equipment not conforming to these requirements may be considered defective. The Contractor's warranty excludes remedy for damage or defect caused by abuse, alterations to the Work not executed by the Contractor, improper or insufficient maintenance, improper operation, or normal wear and tear and normal usage. If required by the Engineer, or his designee, the Contractor shall furnish satisfactory evidence as to the kind and quality of materials and equipment. Such warranty shall continue for a period of one (1) year from the date of Substantial Completion of the Work. Under this warranty, the Contractor shall remedy at his expense any such failure for the Work to be conforming to the requirement of the Contract, or any other defect appearing in the Work. In addition, the Contractor shall remedy at his own expense, any damage to Owner's owned, controlled, real or personal property, when that damage is the result of the Contractor's failure to provide conforming Work as it relates to the Contract Documents or any other defect of equipment, material, workmanship or design. The Contractor shall also restore any Work damaged in fulfilling its obligations under the terms of this provision. The Contractor's warranty with respect to the Work repaired or replaced hereunder will run for a period of one (1) year from the date of repair or replacement.

### § 3.6 TAXES

The Contractor shall pay use and similar taxes for the Work provided by the Contractor that are legally enacted when bids are received or negotiations concluded, whether or not yet effective or merely scheduled to go into effect.

### § 3.7 PERMITS, FEES, NOTICES AND COMPLIANCE WITH LAWS

§ 3.7.1 Unless otherwise provided in the Contract Documents, the Contractor shall secure and pay for the building permit as well as for other permits, fees, licenses, and inspections by government agencies necessary for proper execution and completion of the Work that are customarily secured after execution of the Contract and legally required at the time bids are received or negotiations concluded.

§ 3.7.2 The Contractor shall comply with and give notices required by applicable laws, statutes, ordinances, codes, rules and regulations, and lawful orders of public authorities applicable to performance of the Work.

§ 3.7.3 If the Contractor performs Work knowing it to be contrary to applicable laws, statutes, ordinances, codes, rules and regulations, or lawful orders of public authorities, the Contractor shall assume appropriate responsibility for such Work and shall bear the costs attributable to correction.

§ 3.7.4 **Concealed or Unknown Conditions.** If the Contractor encounters conditions at the site that are (1) subsurface or otherwise concealed physical conditions that differ materially from those indicated in the Contract Documents or (2) unknown physical conditions of an unusual nature, that differ materially from those ordinarily found to exist and generally recognized as inherent in construction activities of the character provided for in the Contract Documents, the Contractor shall promptly provide notice to the Owner and the Engineer, or his designee before conditions are disturbed and in no event later than 21 days after first observance of the conditions. The Engineer, or his designee will promptly investigate such conditions and, if the Engineer, or his designee determines that they differ materially and cause an increase or decrease in the Contractor's cost of, or time required for, performance of any part of the Work, will recommend an equitable adjustment in the Contract Sum or Contract Time, or both. If the Engineer, or his designee determines that the conditions at the site are not materially different from those indicated in the Contract Documents and that no change in the terms of the Contract is justified, the Engineer, or his designee shall promptly notify the Owner and Contractor in writing, stating the reasons. If either party disputes the Engineer, or his designee's determination or recommendation, that party may proceed as provided in Article 15.

§ 3.7.5 If, in the course of the Work, the Contractor encounters human remains or recognizes the existence of burial markers, archaeological sites or wetlands not indicated in the Contract Documents, the Contractor shall immediately suspend any operations that would affect them and shall notify the Owner and Engineer, or his designee. Upon receipt of such notice, the Owner shall promptly take any action necessary to obtain governmental authorization required to resume the operations. The Contractor shall continue to suspend such operations until otherwise instructed by the Owner but shall continue with all other operations that do not affect those remains or features. Requests for adjustments in the Contract Sum and Contract Time arising from the existence of such remains or features may be made as provided in Article 15.

### § 3.8 ALLOWANCES

§ 3.8.1 The Contractor shall include in the Contract Sum all allowances stated in the Contract Documents. Items covered by allowances shall be supplied for such amounts and by such persons or entities as the Owner may direct.

§ 3.8.2 Unless otherwise provided in the Contract Documents,

- 1 Allowances shall cover the cost to the Contractor of materials and equipment delivered at the site and all required taxes, less applicable trade discounts;
- 2 Contractor's costs for unloading and handling at the site, labor, installation costs, overhead, profit and other expenses contemplated for stated allowance amounts shall be included in the Contract Sum but not in the allowances; and
- 3 Whenever costs are more than or less than allowances, the Contract Sum shall be adjusted accordingly by Change Order. The amount of the Change Order shall reflect (1) the difference between actual costs and the allowances under Section 3.8.2.1 and (2) changes in Contractor's costs under Section 3.8.2.2. The unused balance of any allowance shall be deducted from the Contract Sum upon completion and acceptance of the Work by Change Order.

§ 3.8.3 Materials and equipment under an allowance shall be selected by the Owner with reasonable promptness.

### § 3.9 SUPERINTENDENT

§ 3.9.1 The Contractor shall employ a competent superintendent and necessary assistants who shall be in attendance at the Project site during performance of the Work. The superintendent shall represent the Contractor, and communications given to the superintendent shall be as binding as if given to the Contractor.

§ 3.9.2 The Contractor, as soon as practicable after award of the Contract, shall furnish in writing to the Owner through the Engineer, or his designee the name and qualifications of a proposed superintendent. The Engineer, or his designee may reply within 14 days to the Contractor in writing stating (1) whether the Owner or the Engineer, or his designee has reasonable objection to the proposed superintendent or (2) that the Engineer, or his designee requires additional time to review. Failure of the Engineer, or his designee to reply within the 14 day period shall constitute notice of no reasonable objection.

§ 3.9.3 The Contractor shall not employ a proposed superintendent to whom the Owner or Engineer, or his designee has made reasonable and timely objection. The Contractor shall not change the superintendent without the Owner's consent, which shall not unreasonably be withheld or delayed.

### § 3.10 CONTRACTOR'S CONSTRUCTION SCHEDULES

§ 3.10.1 The Contractor, promptly after being awarded the Contract, shall prepare and submit for the Owner's and Engineer, or his designee's information a Contractor's construction schedule for the Work. The schedule shall not exceed time limits current under the Contract Documents, shall be revised at appropriate intervals as required by the conditions of the Work and Project, shall be related to the entire Project to the extent required by the Contract Documents, and shall provide for expeditious and practicable execution of the Work.

§ 3.10.2 The Contractor shall prepare a submittal schedule, promptly after being awarded the Contract and thereafter as necessary to maintain a current submittal schedule, and shall submit the schedule(s) for the Engineer, or his designee's approval. The Engineer, or his designee's approval shall not unreasonably be delayed or withheld. The submittal schedule shall (1) be coordinated with the Contractor's construction schedule, and (2) allow the Engineer, or his designee reasonable time to review submittals. If the Contractor fails to submit a submittal



schedule, the Contractor shall not be entitled to any increase in Contract Sum or extension of Contract Time based on the time required for review of submittals.

§ 3.10.3 The Contractor shall perform the Work in general accordance with the most recent schedules submitted to the Owner and Engineer, or his designee .

§3.10.4 Should the Contractor responsible for the scheduling requirements of Article 3 herein fail to comply with said scheduling requirements, said failure shall result in the following:

- 1 all claims resulting from the Contractor's failure to prepare or submit a schedule shall be the Contractor's responsibility;
- 2 shall constitute an act of default and a substantial breach of the Contract giving the Owner remedies under the Contract Documents; and
- 3 the Owner shall have the right to withhold any payments until the Contractor complies with the scheduling requirements of Article 3 herein.

§3.10.5 In the event of a Five Prime Contract, the General Contractor shall be responsible for the preparation and submittal of the schedule.

### § 3.11 DOCUMENTS AND SAMPLES AT THE SITE

The Contractor shall maintain at the site for the Owner one copy of the Drawings, Specifications, Addenda, Change Orders and other Modifications, in good order and marked currently to indicate field changes and selections made during construction, and one copy of approved Shop Drawings, Product Data, Samples and similar required submittals. These shall be available to the Engineer, or his designee and shall be delivered to the Engineer, or his designee for submittal to the Owner upon completion of the Work as a record of the Work as constructed.

### § 3.12 SHOP DRAWINGS, PRODUCT DATA AND SAMPLES

§ 3.12.1 Shop Drawings are drawings, diagrams, schedules and other data specially prepared for the Work by the Contractor or a Subcontractor, Sub-subcontractor, manufacturer, supplier or distributor to illustrate some portion of the Work.

§ 3.12.2 Product Data are illustrations, standard schedules, performance charts, instructions, brochures, diagrams and other information furnished by the Contractor to illustrate materials or equipment for some portion of the Work.

§ 3.12.3 Samples are physical examples that illustrate materials, equipment or workmanship and establish standards by which the Work will be judged.

§ 3.12.4 Shop Drawings, Product Data, Samples and similar submittals are not Contract Documents. Their purpose is to demonstrate the way by which the Contractor proposes to conform to the information given and the design concept expressed in the Contract Documents for those portions of the Work for which the Contract Documents require submittals. Review by the Engineer, or his designee is subject to the limitations of Section 4.2.7. Informational submittals upon which the Engineer, or his designee is not expected to take responsive action may be so identified in the Contract Documents. Submittals that are not required by the Contract Documents may be returned by the Engineer, or his designee without action.

§ 3.12.5 The Contractor shall review for compliance with the Contract Documents, approve and submit to the Engineer, or his designee Shop Drawings, Product Data, Samples and similar submittals required by the Contract Documents in accordance with the submittal schedule approved by the Engineer, or his designee or, in the absence of an approved submittal schedule, with reasonable promptness and in such sequence as to cause no delay in the Work or in the activities of the Owner or of separate contractors.

§ 3.12.6 By submitting Shop Drawings, Product Data, Samples and similar submittals, the Contractor represents to the Owner and Engineer, or his designee that the Contractor has (1) reviewed and approved them, (2) determined and verified materials, field measurements and field construction criteria related thereto, or will do so and (3) checked and coordinated the information contained within such submittals with the requirements of the Work and of the Contract Documents.

§ 3.12.7 The Contractor shall perform no portion of the Work for which the Contract Documents require submittal and review of Shop Drawings, Product Data, Samples or similar submittals until the respective submittal has been approved by the Engineer, or his designee .

§ 3.12.8 The Work shall be in accordance with approved submittals except that the Contractor shall not be relieved of responsibility for deviations from requirements of the Contract Documents by the Engineer or his designee 's approval of Shop Drawings, Product Data, Samples or similar submittals unless the Contractor has specifically informed the Engineer, or his designee in writing of such deviation at the time of submittal and (1) the Engineer, or his designee has given written approval to the specific deviation as a minor change in the Work, or (2) a Change Order or Construction Change Directive has been issued authorizing the deviation. The Contractor shall not be relieved of responsibility for errors or omissions in Shop Drawings, Product Data, Samples or similar submittals by the Engineer, or his designee 's approval thereof.

§ 3.12.9 The Contractor shall direct specific attention, in writing or on resubmitted Shop Drawings, Product Data, Samples or similar submittals, to revisions other than those requested by the Engineer, or his designee on previous submittals. In the absence of such written notice, the Engineer, or his designee 's approval of a resubmission shall not apply to such revisions.

§ 3.12.10 The Contractor shall not be required to provide professional services that constitute the practice of Engineer, or his designee ure or engineering unless such services are specifically required by the Contract Documents for a portion of the Work or unless the Contractor needs to provide such services in order to carry out the Contractor's responsibilities for construction means, methods, techniques, sequences and procedures. The Contractor shall not be required to provide professional services in violation of applicable law. If professional design services or certifications by a design professional related to systems, materials or equipment are specifically required of the Contractor by the Contract Documents, the Owner and the Engineer, or his designee will specify all performance and design criteria that such services must satisfy. The Contractor shall cause such services or certifications to be provided by a properly licensed design professional, whose signature and seal shall appear on all drawings, calculations, specifications, certifications, Shop Drawings and other submittals prepared by such professional. Shop Drawings and other submittals related to the Work designed or certified by such professional, if prepared by others, shall bear such professional's written approval when submitted to the Engineer or his designee . The Owner and the Engineer, or his designee shall be entitled to rely upon the adequacy, accuracy and completeness of the services, certifications and approvals performed or provided by such design professionals, provided the Owner and Engineer, or his designee have specified to the Contractor all performance and design criteria that such services must satisfy. Pursuant to this Section 3.12.10, the Engineer, or his designee will review, approve or take other appropriate action on submittals only for the limited purpose of checking for conformance with information given and the design concept expressed in the Contract Documents. The Contractor shall not be responsible for the adequacy of the performance and design criteria specified in the Contract Documents.

### § 3.13 USE OF SITE

§ 3.13.1 The Contractor shall confine operations at the site to areas permitted by applicable laws, statutes, ordinances, codes, rules and regulations, and lawful orders of public authorities and the Contract Documents and shall not unreasonably encumber the site with materials or equipment.

§ 3.13.2 The Contractor shall coordinate the Contractor's operations with, and secure the approval of, the Owner before using any portion of the Site.

§ 3.13.3 The Contractor shall store its apparatuses, materials, supplies, and equipment in such orderly fashion at the Site of the Work, if permitted, as will not unduly interfere with the progress of the Work or ongoing operations. The Contractor shall provide protective fencing around the designated storage areas.

§ 3.13.4 The Contractor shall see that stockpiles of materials and storage of equipment are kept to a minimum and neatly stored where directed by the Owner and the Engineer, or his designee .

§ 3.13.5 If the Work is to be executed in areas occupied by the Owner, the Contractor shall inform the Owner in advance of the areas scheduled to be worked on, so that the Owner's personnel may make proper preparations to protect equipment and records.



§3.13.6 The Contractor understands that some or all the Work of the Contract may be performed while the facilities are occupied by personnel, and accordingly shall make all reasonable and necessary provisions to ensure that the contract Work will be of minimal disruption to the environment.

§3.13.7 Materials and equipment that are to be used only directly in the Work, shall be brought to and stored on the Project site by the Contractor. After equipment is no longer required for the Work, it shall be promptly removed from the Project Site. Protection of construction materials and equipment stored at the Project Site from weather, theft, damage and all other adversity is solely the Contractor's responsibility. The Contractor shall bear the responsibility to replace all such materials that may be lost, damaged, or stolen at its expense, whether such materials or equipment have been entirely or partially paid for by the Owner.

§3.13.8 The Contractor and any entity for whom the Contractor is responsibility, shall not erect any sign on the Project Site without the prior written consent of the Owner, which may be withheld in the sole discretion of the Owner.

§3.13.9 Contractor shall ensure that the Work is performed at all times in a manner that affords reasonable access, both vehicular and pedestrian, to the Site of the Work and all adjacent areas. The Work shall be performed, to the fullest extent reasonably possible, in such a manner that public areas adjacent to the Site of the Work shall be free from all debris, building materials, and equipment likely to cause hazardous conditions.

§3.13.10 Without prior approval of the Owner, the Contractor shall not permit any workers to use any existing facilities at the Project Site, including, without limitation, the lavatories, toilets, entrances, and parking areas, other than those designated by the Owner. Without limitation of any other provision of the Contract Documents, the Contractor shall use its best efforts to comply with all rules and regulations promulgated by the Owner in connection with the use and occupancy of the Project Site and the Building, as amended from time to time. The Contractor shall immediately notify the Owner in writing, if during the performance of the Work, the Contractor finds compliance with any portion of such rules and regulations to be impracticable. This notification shall set forth the problems of such compliance and shall suggest alternatives through which the same results intended by such portions of the rules and regulations can be achieved. The Owner may, in the Owner's sole discretion, adopt such suggestions, develop new alternatives or require compliance with the existing requirements of the rules and regulations. The Contractor shall also comply with all insurance requirements and collective bargaining agreements applicable to use and occupancy of the Project Site and the Building.

### § 3.14 CUTTING AND PATCHING

§ 3.14.1 The Contractor shall be responsible for cutting, fitting or patching required to complete the Work or to make its parts fit together properly. All areas requiring cutting, fitting and patching shall be restored to the condition existing prior to the cutting, fitting and patching, unless otherwise required by the Contract Documents. Any costs incurred by the Onwer for defective cutting or patching shall be borne by the Contractor responsible therefore.

§ 3.14.2 The Contractor shall not damage or endanger a portion of the Work or fully or partially completed construction of the Owner or separate contractors by cutting, patching or otherwise altering such construction, or by excavation. The Contractor shall not cut or otherwise alter such construction by the Owner or a separate Contractor except with written consent of the Owner and of such separate Contractor; such consent shall not be unreasonably withheld. The Contractor shall not unreasonably withhold from the Owner or a separate Contractor the Contractor's consent to cutting or otherwise altering the Work.

### § 3.15 CLEANING UP

§ 3.15.1 The Contractor shall keep the premises and surrounding area free from accumulation of waste materials or rubbish caused by operations under the Contract. At completion of the Work, the Contractor shall remove waste materials, rubbish, the Contractor's tools, construction equipment, machinery and surplus materials from and about the Project.

§ 3.15.2 If the Contractor fails to clean up as provided in the Contract Documents, the Owner may do so and Owner shall be entitled to reimbursement from the Contractor, or shall be entitled to reduce the Contract Amount in an amount equal to the Owner's cost to clean up.

§3.15.3 The Contractor shall, on a daily basis, clean debris resulting from its Work, and protect construction in progress and maintain adjoining materials in place during handling and installation, and provide protective covering where required to assure protection from damage or deterioration until Substantial Completion.

§3.15.4 The Contractor shall clean and provide maintenance on completed construction, after installation, as frequently as necessary through the remainder of the construction period.

§3.15.5 The Contractor shall supervise its construction operations to assure that no part of the construction, completed or in progress, is subject to harmful, dangerous, damaging, or otherwise deleterious exposure during the construction period. The term "clean" shall include the removal of debris from the work area to dumpsters furnished by the Prime General Work Contractor or the Contractor for Single Overall Contract Work, whichever contracting method shall apply.

### § 3.16 ACCESS TO WORK

The Contractor shall provide the Owner and Engineer, or his designee access to the Work in preparation and progress wherever located.

### § 3.17 ROYALTIES, PATENTS AND COPYRIGHTS

The Contractor shall pay all royalties and license fees. The Contractor shall defend suits or claims for infringement of copyrights and patent rights and shall hold the Owner and Engineer, or his designee harmless from loss on account thereof, but shall not be responsible for such defense or loss when a particular design, process or product of a particular manufacturer or manufacturers is required by the Contract Documents, or where the copyright violations are contained in Drawings, Specifications or other documents prepared by the Owner or Engineer, or his designee. However, if the Contractor has reason to believe that the required design, process or product is an infringement of a copyright or a patent, the Contractor shall be responsible for such loss unless such information is promptly furnished to the Engineer, or his designee.

### § 3.18 INDEMNIFICATION

§ 3.18.1 The County of Union requires all bidders to accept the following indemnification requirements in the event the County accepts their bid. The Contract awarded by the County to the successful bidder will contain the following provision:

"To the fullest extent permitted by law the Contractor shall indemnify and hold harmless the Owner and Owner's consultants, agents, representatives, and employees from and against any and all claims, damages, losses, costs, and expenses, including, but not limited to attorney's fees, legal costs and legal expenses arising out of or resulting from the performance of the Contractor's work under this contract, provided that such claim, damage, loss, cost or expense is attributable to bodily injury, sickness, disease or death, or to injury to or destruction of tangible property (other than work itself) caused or alleged to be caused by the negligent acts, negligent omissions, and/or fault of the Contractor, anyone directly or indirectly employed or retained by the Contractor, or anyone for whose acts the Contractor may be liable regardless of whether caused in part by the negligent act or omission of a party indemnified hereunder provided it is not caused by the sole negligence of a party indemnified hereunder. Contractor shall further indemnify and hold harmless the Owner and the Owner's consultants, agents, representative, and employees from and against any and all claims, damages, losses, costs, and expenses, including, but not limited to attorneys' fees, legal costs and legal expenses, arising out of or resulting from performance of the work, provided that such claims, damage, loss, cost, or expense is attributable to bodily injury, sickness, disease or death, or to injury to destruction of tangible property (other than work itself) caused or alleged to be caused by the negligent acts, negligent omissions, and/or fault of the Owner or the Owner's consultants, agents, representatives, or employees and arises out of this project and provided such claim, damage, loss, cost, or expense is not caused by the sole negligence of a party indemnified hereunder."

§ 3.18.2 In claims against any person or entity indemnified under this Section 3.18 by an employee of the Contractor, a Subcontractor, anyone directly or indirectly employed by them or anyone for whose acts they may be liable, the indemnification obligation under Section 3.18.1 shall not be limited by a limitation on amount or type of damages, compensation or benefits payable by or for the Contractor or a Subcontractor under workers' compensation acts, disability benefit acts or other employee benefit acts.

## ARTICLE 4 ENGINEER, OR HIS DESIGNEE OR ENGINEER

### § 4.1 GENERAL

§ 4.1.1 The Owner shall retain an Engineer, or his designee lawfully licensed to practice Engineer, or his designee in the jurisdiction where the Project is located. That person or entity is identified as the Engineer, or his designee in the Agreement and is referred to throughout the Contract Documents as if singular in number.

§ 4.1.2 Duties, responsibilities and limitations of authority of the Engineer, or his designee as set forth in the Contract Documents shall not be restricted, modified or extended without written consent of the Owner, Contractor and Engineer, or his designee. Consent shall not be unreasonably withheld.

### § 4.2 ADMINISTRATION OF THE CONTRACT

§ 4.2.1 The Engineer, or his designee will provide administration of the Contract as set forth in its respective Agreements with the Owner and as described in the Contract Documents.

§ 4.2.2 The Engineer, or his designee will visit the site at intervals appropriate to the stage of construction, or as otherwise agreed with the Owner, to become generally familiar with the progress and quality of the portion of the Work completed, and to determine in general if the Work observed is being performed in a manner indicating that the Work, when fully completed, will be in accordance with the Contract Documents.

§ 4.2.3 On the basis of the site visits, the Engineer, or his designee will keep the Owner reasonably informed about the progress and quality of the portion of the Work completed, and report to the Owner (1) known deviations from the Contract Documents and from the most recent construction schedule submitted by the Contractor, and (2) defects and deficiencies observed in the Work.

### § 4.2.4 COMMUNICATIONS FACILITATING CONTRACT ADMINISTRATION

Except as otherwise provided in the Contract Documents or when direct communications have been specially authorized, the Owner and Contractor shall endeavor to communicate with each other through the Engineer, or his designee about matters arising out of or relating to the Contract. Communications by and with the Engineer, or his designee's consultants shall be through the Engineer, or his designee. Communications by and with Subcontractors and material suppliers shall be through the Contractor. Communications by and with separate contractors shall be through the Owner.

§ 4.2.5 Based on the Engineer, or his designee's evaluations of the Contractor's Applications for Payment, the Engineer, or his designee will review and certify the amounts due the Contractor and will issue Certificates for Payment in such amounts.

§ 4.2.6 The Engineer, or his designee has authority to reject Work that does not conform to the Contract Documents. Whenever the Engineer, or his designee considers it necessary or advisable, the Engineer, or his designee will have authority to require inspection or testing of the Work in accordance with Sections 13.5.2 and 13.5.3, whether or not such Work is fabricated, installed or completed. However, neither this authority of the Engineer, or his designee nor a decision made in good faith either to exercise or not to exercise such authority shall give rise to a duty or responsibility of the Engineer, or his designee to the Contractor, Subcontractors, material and equipment suppliers, their agents or employees, or other persons or entities performing portions of the Work.

§ 4.2.7 The Engineer, or his designee will review and approve, or take other appropriate action upon, the Contractor's submittals such as Shop Drawings, Product Data and Samples, but only for the limited purpose of checking for conformance with information given and the design concept expressed in the Contract Documents. The Engineer, or his designee's action will be taken in accordance with the submittal schedule approved by the Engineer, or his designee or, in the absence of an approved submittal schedule, with reasonable promptness while allowing sufficient time in the Engineer, or his designee's professional judgment to permit adequate review. Review of such submittals is not conducted for the purpose of determining the accuracy and completeness of other details such as dimensions and quantities, or for substantiating instructions for installation or performance of equipment or systems, all of which remain the responsibility of the Contractor as required by the Contract Documents. The Engineer, or his designee's review of the Contractor's submittals shall not relieve the Contractor of the obligations under Sections 3.3, 3.5 and 3.12. The Engineer, or his designee's review shall not constitute

approval of safety precautions or, unless otherwise specifically stated by the Engineer, or his designee, of any construction means, methods, techniques, sequences or procedures. The Engineer, or his designee's approval of a specific item shall not indicate approval of an assembly of which the item is a component.

§ 4.2.8 The Engineer, or his designee will prepare Change Orders and Construction Change Directives, and may authorize minor changes in the Work as provided in Section 7. The Engineer, or his designee will investigate and make determinations and recommendations regarding concealed and unknown conditions as provided in Section 3.7.4.

§ 4.2.9 The Engineer, or his designee will conduct inspections to determine the date or dates of Substantial Completion and the date of final completion; issue Certificates of Substantial Completion pursuant to Section 9.8; receive and forward to the Owner, for the Owner's review and records, written warranties and related documents required by the Contract and assembled by the Contractor pursuant to Section 9.10; and issue a final Certificate for Payment pursuant to Section 9.10.

§ 4.2.10 If the Owner and Engineer, or his designee agree, the Engineer, or his designee will provide one or more project representatives to assist in carrying out the Engineer, or his designee's responsibilities at the site. The duties, responsibilities and limitations of authority of such project representatives shall be as set forth in the Owner's Agreement with the Engineer, or his designee.

§ 4.2.11 The Engineer, or his designee will interpret and decide matters concerning performance under, and requirements of, the Contract Documents on written request of either the Owner or Contractor. The Engineer, or his designee's response to such requests will be made in writing within any time limits agreed upon or otherwise with reasonable promptness.

§ 4.2.12 Interpretations and decisions of the Engineer, or his designee will be consistent with the intent of, and reasonably inferable from, the Contract Documents and will be in writing or in the form of drawings. When making such interpretations and decisions, the Engineer, or his designee will endeavor to secure faithful performance by both Owner and Contractor and will not show partiality.

§ 4.2.13 The Engineer, or his designee will review and respond to requests for information about the Contract Documents. The Engineer, or his designee's response to such requests will be made in writing within any time limits agreed upon or otherwise with reasonable promptness. If appropriate, the Engineer, or his designee will prepare and issue supplemental Drawings and Specifications in response to the requests for information.

## ARTICLE 5 SUBCONTRACTORS

### § 5.1 DEFINITIONS

§ 5.1.1 A Subcontractor is a person or entity who has a direct contract with the Contractor to perform a portion of the Work at the site. The term "Subcontractor" is referred to throughout the Contract Documents as if singular in number and means a Subcontractor or an authorized representative of the Subcontractor. The term "Subcontractor" does not include a separate Contractor or subcontractors of a separate Contractor.

§ 5.1.2 A Sub-subcontractor is a person or entity who has a direct or indirect contract with a Subcontractor to perform a portion of the Work at the site. The term "Sub-subcontractor" is referred to throughout the Contract Documents as if singular in number and means a Sub-subcontractor or an authorized representative of the Sub-subcontractor.

### § 5.2 AWARD OF SUBCONTRACTS AND OTHER CONTRACTS FOR PORTIONS OF THE WORK

§ 5.2.1 Identification of Subcontractors required by N.J.S.A. 40A:11-16 shall be provided with the bid submission in accordance with the requirements of that statute. Names of persons or entities for any Subcontractor not covered by N.J.S.A. 18A-18 shall be furnished within thirty (30) thirty days of notification of Award of Contract. The Engineer, or his designee will notify the Contractor in writing if the Owner or Engineer, or his designee, after due investigation, has reasonable objection to any such proposed person or entity. The list of proposed Subcontractors shall include a description of the materials and equipment each proposes to furnish and install in the Work. The description shall be insufficient detail to allow the Engineer, or his designee to determine general conformance to Contract requirements. Approval of the submittals as required under this Article shall not relieve the Contractor from conformance to Contract requirements.

§5.2.2 Subcontractors shall comply with the statutory requirements of N.J.S.A. 34:11-56.25 and N.J.S.A. 34:11-56.48. Any subcontractors who fail to comply with those statutory provisions shall be rejected.

§5.2.3 Written confirmation of award of each major subcontract shall be submitted to the Owner by the Contractor, in form subject to his approval, within seven (7) days after receipt of Owner's approval of proposed Subcontractor list as provided under this Article. Every subcontract shall be in writing, shall be submitted to Owner for review and approval prior to execution, and shall specifically provide that the Owner is an intended third (3<sup>rd</sup>) party beneficiary of such subcontract.

§ 5.2.4 The Contractor shall not contract with a proposed person or entity to whom the Owner or Engineer, or his designee has made reasonable and timely objection. The Contractor shall not be required to contract with anyone to whom the Contractor has made reasonable objection.

§ 5.2.5 If the Owner or Engineer, or his designee has reasonable objection to a person or entity proposed by the Contractor, the Contractor shall propose another to whom the Owner or Engineer, or his designee has no reasonable objection. If the proposed but rejected Subcontractor was reasonably capable of performing the Work, the Contract Sum and Contract Time shall be increased or decreased by the difference, if any, occasioned by such change, and an appropriate Change Order shall be issued before commencement of the substitute Subcontractor's Work. However, no increase in the Contract Sum or Contract Time shall be allowed for such change unless the Contractor has acted promptly and responsively in submitting names as required.

§ 5.2.6 The Contractor shall not substitute a Subcontractor, person or entity previously selected if the Owner or Engineer, or his designee makes reasonable objection to such substitution.

### § 5.3 SUBCONTRACTUAL RELATIONS

§5.3.1 By appropriate agreement, written where legally required for validity, the Contractor shall require each Subcontractor, to the extent of the Work to be performed by the Subcontractor, to be bound to the Contractor by terms of the Contract Documents, and to assume toward the Contractor all the obligations and responsibilities, including the responsibility for safety of the Subcontractor's Work, which the Contractor, by these Documents, assumes toward the Owner and Engineer, or his designee. Each subcontract agreement shall preserve and protect the rights of the Owner and Engineer, or his designee under the Contract Documents and at law. No Subcontract shall diminish in any way any rights or benefits conferred upon the Owner by these Contract Documents. The Contractor shall make all Contract Documents available to the Subcontractors.

§5.3.2 Where the Contractor sublets portions of the Work, the entire responsibility for the subdividing of Work rests with the Contractor. The Owner and the Engineer, or his designee are not responsible for the manner of the subdivision of the Work, nor will they enter into or settle disagreements or disputes between Contractor and Subcontractors. The Contractor is, and will be held, responsible for the proper execution of the Work of all Subcontractors.

### § 5.4 CONTINGENT ASSIGNMENT OF SUBCONTRACTS

§ 5.4.1 Each subcontract agreement for a portion of the Work is assigned by the Contractor to the Owner, provided that

- 1 assignment is effective only after termination of the Contract by the Owner for cause pursuant to Section 14.2 and only for those subcontract agreements that the Owner accepts by notifying the Subcontractor and Contractor in writing.

§ 5.4.2 Upon such assignment to the Owner under this Section 5.4, the Owner may further assign the subcontract to a successor Contractor or other entity.

## ARTICLE 6 CONSTRUCTION BY OWNER OR BY SEPARATE CONTRACTORS

### § 6.1 OWNER'S RIGHT TO PERFORM CONSTRUCTION AND TO AWARD SEPARATE CONTRACTS

§ 6.1.1 The Owner reserves the right to perform construction or operations related to the Project with the Owner's own forces, and to award separate contracts in connection with other portions of the Project or other construction or operations on the site.

§ 6.1.2 The Owner shall provide for coordination of the activities of the Owner's own forces and of each separate Contractor with the Work of the Contractor, who shall cooperate with them. The Contractor shall participate with other separate contractors and the Owner in reviewing their construction schedules. The Contractor shall make any revisions to the construction schedule deemed necessary after a joint review and mutual agreement. The construction schedules shall then constitute the schedules to be used by the Contractor, separate contractors and the Owner until subsequently revised.

## § 6.2 MUTUAL RESPONSIBILITY

§ 6.2.1 The Contractor shall afford the Owner and separate contractors reasonable opportunity for introduction and storage of their materials and equipment and performance of their activities, and shall connect and coordinate the Contractor's construction and operations with theirs as required by the Contract Documents.

§ 6.2.2 If part of the Contractor's Work depends for proper execution or results upon construction or operations by the Owner or a separate Contractor, the Contractor shall, prior to proceeding with that portion of the Work, promptly report to the Engineer, or his designee apparent discrepancies or defects in such other construction that would render it unsuitable for such proper execution and results. Failure of the Contractor so to report shall constitute an acknowledgment that the Owner's or separate Contractor's completed or partially completed construction is fit and proper to receive the Contractor's Work, except as to defects not then reasonably discoverable.

§ 6.2.3 The Contractor shall reimburse the Owner for costs the Owner incurs that are payable to a separate Contractor because of the Contractor's delays, improperly timed activities or defective construction. The Owner shall be responsible to the Contractor for costs the Contractor incurs because of a separate Contractor's delays, improperly timed activities, damage to the Work or defective construction.

§ 6.2.4 The Contractor shall promptly remedy damage the Contractor wrongfully causes to completed or partially completed construction or to property of the Owner or separate contractors as provided in Section 10.2.5.

§ 6.2.4.1 Should the Contractor cause damage to the Work or property of any separate Contractor on the Project, the Contractor shall promptly settle with such other Contractor by agreement, or otherwise resolve the dispute. If such separate Contractor institutes any legal proceeding against the Owner on account of any damage alleged to have been so sustained, the Contractor shall, indemnify, defend, or bear the cost of defense as the Owner shall in its own discretion determine, and hold the Owner's harmless. Said Indemnification shall be governed by Section 13, Page G7 of the Instructions to Bidders.

§ 6.2.5 The Owner and each separate Contractor shall have the same responsibilities for cutting and patching as are described for the Contractor in Section 3.14.

## § 6.3 OWNER'S RIGHT TO CLEAN UP

If a dispute arises among the Contractor, separate contractors and the Owner as to the responsibility under their respective contracts for maintaining the premises and surrounding area free from waste materials and rubbish, the Owner may clean up and the Engineer, or his designee will allocate the cost among those responsible, which amounts the Owner shall be entitled to reduce the Contract Amounts of the various contracts of those responsible.

## ARTICLE 7 CHANGES IN THE WORK

### § 7.1 GENERAL

§ 7.1.1 Changes in the Work may be accomplished after execution of the Contract, and without invalidating the Contract, by Change Order, Construction Change Directive or order for a minor change in the Work, subject to the limitations stated in this Article 7 and elsewhere in the Contract Documents. Change Orders and Construction Change Directives shall be subject to and processed in accordance with N.J.A.C. 6A:23-7 and N.J.A.C. 6A:26-4.9, where applicable.

§ 7.1.2 A Change Order shall be based upon agreement among the Owner, Contractor and Engineer, or his designee; a Construction Change Directive requires a written agreement by the Owner and Engineer, or his designee and may or may not be agreed to by the Contractor; an order for a minor change in the Work which does not extend the Contract Time, increase the Contract Sum or change the Project Scope may be issued by the Engineer, or his designee alone.



§ 7.1.3 Changes in the Work shall be performed under applicable provisions of the Contract Documents, and the Contractor shall proceed promptly, unless otherwise provided in the Change Order, Construction Change Directive or order for a minor change in the Work.

§ 7.1.4 In order to facilitate checking of quotations for extras or credits, all proposals shall be accompanied by a complete itemization of costs including labor, materials and subcontracts. Labor and materials shall be itemized in the manner prescribed above. Where major cost items are subcontracts, they shall be itemized also. In no case will a change be approved without such itemization.

## § 7.2 CHANGE ORDERS

§ 7.2.1 A Change Order is a written instrument prepared by the Engineer, or his designee and signed by the Owner, Contractor and Engineer, or his designee stating their agreement upon all of the following:

- .1 The change in the Work;
- .2 The amount of the adjustment, if any, in the Contract Sum; and
- .3 The extent of the adjustment, if any, in the Contract Time.

A Change Order shall not require consent of the Owner if the Owner has provided an allowance for such a change.

§ 7.2.2 Methods used in determining adjustments to the Contract Sum shall be those listed in Section 7.3.3.

§ 7.2.3 Agreement on any Change Order shall constitute a final settlement of all matters relating to the change in the Work that is the subject of the Change Order, including, but not limited to, all direct and indirect costs associated with such change, and any and all adjustments to the Contract Sum and the construction schedule. In the event a Change Order increases the Contract Sum, Contractor shall include the Work covered by such Change Orders in Applications for Payment as if such Work were originally part of the Contract Documents.

## § 7.3 CONSTRUCTION CHANGE DIRECTIVES

§ 7.3.1 A Construction Change Directive is a written order prepared by the Engineer, or his designee and signed by the Owner and Engineer, or his designee, directing a change in the Work prior to agreement on adjustment, if any, in the Contract Sum or Contract Time, or both. A Construction Change Directive shall not require the Agreement of the Engineer, or his designee if the Owner specifically waives their consent in writing. The Owner may by Construction Change Directive, without invalidating the Contract, order changes in the Work within the general scope of the Contract consisting of additions, deletions or other revisions, the Contract Sum and Contract Time being adjusted accordingly.

§ 7.3.2 A Construction Change Directive shall be used in the absence of total agreement on the terms of a Change Order.

§ 7.3.3 If the Construction Change Directive provides for an adjustment to the Contract Sum, the adjustment shall be based on one of the following methods:

- .1 Mutual acceptance of a lump sum properly itemized and supported by sufficient substantiating data to permit evaluation;
- .2 Unit prices stated in the Contract Documents or subsequently agreed upon;
- .3 Cost to be determined in a manner agreed upon by the parties and a mutually acceptable fixed or percentage fee; or
- .4 As provided in Section 7.3.6.

§ 7.3.4 Upon receipt of a Construction Change Directive, the Contractor shall promptly proceed with the change in the Work involved and advise the Engineer, or his designee of the Contractor's agreement or disagreement with the method, if any, provided in the Construction Change Directive for determining the proposed adjustment in the Contract Sum or Contract Time. The Contractor's failure to comply with a Construction Change Directive shall constitute an incident of default and cause for termination by the Owner.

§ 7.3.5 A Construction Change Directive signed by the Contractor indicates the Contractor's agreement therewith, including adjustment in Contract Sum and Contract Time or the method for determining them. Such agreement shall be effective immediately and shall be recorded as a Change Order.

§ 7.3.6 If the Contractor does not respond promptly or disagrees with the method for adjustment in the Contract Sum, the Engineer, or his designee shall determine the method and the adjustment on the basis of reasonable expenditures and savings of those performing the Work attributable to the change, including, in case of an increase in the Contract Sum, an amount for overhead and profit as set forth in the Agreement, or if no such amount is set forth in the Agreement, a reasonable amount. In such case, and also under Section 7.3.3.3, the Contractor shall keep and present, in such form as the Engineer, or his designee may prescribe, an itemized accounting together with appropriate supporting data. Unless otherwise provided in the Contract Documents, costs for the purposes of this Section 7.3.6 shall be limited to the following:

- .1 Costs of labor, including social security, old age and unemployment insurance, fringe benefits required by agreement or custom, and workers' compensation insurance;
- .2 Costs of materials, supplies and equipment, including cost of transportation, whether incorporated or consumed;
- .3 Rental costs of machinery and equipment, exclusive of hand tools, whether rented from the Contractor or others; and
- .4 Costs of premiums for all bonds and insurance, permit fees, and sales, use or similar taxes related to the Work.

§ 7.3.7 The amount of credit to be allowed by the Contractor to the Owner for a deletion or change that results in a net decrease in the Contract Sum shall be actual net cost as confirmed by the Engineer, or his designee. When both additions and credits covering related Work or substitutions are involved in a change, the allowance for overhead and profit shall be figured on the basis of net increase, if any, with respect to that change.

§ 7.3.8 Pending final determination of the total cost of a Construction Change Directive to the Owner, the Contractor may request payment for Work completed under the Construction Change Directive in Applications for Payment. The Engineer, or his designee will make an interim determination for purposes of monthly certification for payment for those costs and certify for payment the amount that the Engineer, or his designee determines, in the Engineer, or his designee's professional judgment, to be reasonably justified. The Engineer, or his designee's interim determination of cost shall adjust the Contract Sum on the same basis as a Change Order, subject to the right of either party to disagree and assert a Claim in accordance with Article 15.

§ 7.3.9 When the Owner and Contractor agree with a determination made by the Engineer, or his designee concerning the adjustments in the Contract Sum and Contract Time, or otherwise reach agreement upon the adjustments, such agreement shall be effective immediately and the Engineer, or his designee will prepare a Change Order. Change Orders may be issued for all or any part of a Construction Change Directive.

§ 7.3.10 In subparagraphs 7.3.3 and 7.3.6, the allowance for overhead and profit combined shall be based upon the following schedule:

- .1 For the Contractor, for work performed by his own forces, 10% of cost.
- .2 For each Subcontractor, for the work performed by his own forces, 10% of cost.
- .3 For the Contractor, for work performed by a subcontractor, 5% of cost.

§ 7.3.11 Lump sum quotations for changes in the Work will not be accepted. Proposals shall be completely itemized and broken down. They shall be accompanied by such supporting data as the Engineer, or his designee may require, such as copies of subcontractor's or vendor's quotations, quantity take-off sheets, or other similar information.

#### § 7.4 MINOR CHANGES IN THE WORK

The Engineer, or his designee has authority to order minor changes in the Work not involving adjustment in the Contract Sum or extension of the Contract Time and not inconsistent with the intent of the Contract Documents. Such changes will be effected by written order signed by the Engineer, or his designee and shall be binding on the Owner and Contractor. The Contractor shall carry out such written orders promptly.

### ARTICLE 8 TIME

#### § 8.1 DEFINITIONS

§ 8.1.1 Unless otherwise provided, Contract Time is the period of time, including authorized adjustments, allotted in the Contract Documents for Substantial Completion of the Work and services as required by the Contract



Documents, Substantial Completion of the Work shall be accomplished within the period of consecutive calendar days (or by the date), as stated in the Agreement, plus any authorized extension(s) of time as approved by written agreement. Final Completion of the Work shall be no later than thirty (30) consecutive calendar days from the date of Substantial Completion of the Work, unless otherwise set forth in Article 3.2 of the Owner/Contractor Agreement.

§ 8.1.2 Intentionally omitted

§ 8.1.3 Intentionally omitted.

§ 8.1.4 The term "day" as used in the Contract Documents shall mean calendar day unless otherwise specifically defined.

## § 8.2 PROGRESS AND COMPLETION

§ 8.2.1 Time limits stated in the Contract Documents are of the essence of the Contract. By executing the Agreement the Contractor confirms that the Contract Time is a reasonable period for performing the Work. There will be no bonus or incentives paid, should the Work, or any portion thereof, be completed in advance of the specified activity milestone dates.

§ 8.2.2 The Contractor shall not knowingly, except by agreement or instruction of the Owner in writing, prematurely commence operations on the site or elsewhere prior to the effective date of insurance required by Article 11 to be furnished by the Contractor and Owner. The date of commencement of the Work shall not be changed by the effective date of such insurance.

§ 8.2.3 The Contractor shall proceed expeditiously with adequate forces and shall achieve Substantial Completion within the Contract Time.

## § 8.3 DELAYS AND EXTENSIONS OF TIME

§ 8.3.1 Intentionally omitted

§ 8.3.2 Claims relating to time shall be made in accordance with applicable provisions of Article 15.

§ 8.3.3 Intentionally omitted

§ 8.3.4 No payment, compensation, or adjustment of any kind shall be made to the Contractor by the Owner for damages resulting from hindrances or delays caused by the delays of other contractors, or from foreseeable circumstances not attributable to the Owner's conduct. The Contractor agrees that it will make no claim against the Owner for payment, compensation, damages, mitigation of Liquidated Damages, or adjustment of any kind for such hindrances or delays, and will accept such extensions of time as may be granted by the Owner in the Owner's sole discretion in full satisfaction for any and all alleged claims against the Owner for any and all such hindrances or delays. For purposes of this Agreement, disputes arising between contractors before or during construction, adverse weather conditions, and delays on the part of local authorities issuing permits shall be considered foreseeable circumstances. Notwithstanding the foregoing, nothing herein shall limit the Contractor's remedies for Owner's negligence, bad faith, active interference, tortious conduct, or other reasons unanticipated by the parties that delay expenditures paid by the Owner to the Engineer, or his designee, other individual or entity, or to any inspector or inspectors necessarily employed by it on the Work, for any number of days in excess of the Contract Time, shall be deducted for the Contract Sum.

§ 8.3.5 The provisions of this Article shall not be so interpreted or construed as to preclude or prevent the Contractor from making and prosecuting any claim against any separate Contractor engaged or employed by the Owner for damages alleged to have been caused or occasioned by any such separate Contractor.

§ 8.3.6 To the extent permitted by law, the Owner may suspend the whole or any part of the Work, if it shall deem it for the best interest of the Owner to do so, without compensation to the Contractor for such suspension, other than extending the time for completion of the Work as much as it may have been delayed by such suspension. During such suspension, all materials delivered upon, but not placed in the Work shall be neatly piled by the Contractor so as not to obstruct public travel, or shall be removed from the line of Work at the direction of the Owner and, unless the

materials be moved by the Contractor upon such direction, the materials shall be removed by the Owner and expense thereof will be charged to the Contractor.

§8.4.1 Should the Contractor fail to complete fully, and in conformity with all provisions of the Contract within the Contract Time, the Contractor shall, and hereby agrees to, pay the Owner one thousand dollars (\$1,000.00) per day, for each consecutive calendar day beyond the number of days allowed by the Contract, which sum is agreed upon as reasonable and proper measure of damages that the Owner will sustain per diem by failure of Contractor to complete Work within time as stipulated; it being recognized by Owner and Contractor that the injury to Owner that could result from a failure of the Contractor to complete on schedule, is uncertain and cannot be computed exactly. In no way shall costs of Liquidated Damages be construed as a penalty to the Contractor.

§8.4.2 It is expressly understood and agreed by and between the Contractor and Owner that the Contract Time prescribed herein is a reasonable time for the completion of the Work.

## ARTICLE 9 PAYMENTS AND COMPLETION

### § 9.1 CONTRACT SUM

The Contract Sum is stated in the Agreement and, including authorized adjustments, is the total amount payable by the Owner to the Contractor for performance of the Work under the Contract Documents.

### § 9.2 SCHEDULE OF VALUES

Where the Contract is based on a stipulated sum or Guaranteed Maximum Price, the Contractor shall submit to the Engineer, or his designee, before the first Application for Payment, a schedule of values allocating the entire Contract Sum to the various portions of the Work and prepared in such form and supported by such data to substantiate its accuracy as the Engineer, or his designee may require. This schedule, unless objected to by the Engineer, or his designee, shall be used as a basis for reviewing the Contractor's Applications for Payment.

### § 9.3 APPLICATIONS FOR PAYMENT

§ 9.3.1 See Article 5 of Standard Form of Agreement between Owner/Contractor.

§ 9.3.1.1 Applications for Payment may include requests for payment on account of changes in the Work which have been properly authorized by Construction Change Directives but not yet included in Change Orders.

§ 9.3.1.2 Such applications may not include requests for payment of amounts the Contractor does not intend to pay to a Subcontractor or material supplier because of a dispute or other reason.

§ 9.3.1.3 All applications for payment shall be accompanied by the Application and Certificate of Payment, AIA Document G702, and the Continuation Sheet, AIA Document G703, fully completed as required or such other application for Payment as the Owner's representative shall use.

§9.3.1.4 In cases where the work is awarded on a Single Overall Contract basis, payments shall be made in accordance with applicable State of New Jersey statutes.

§ 9.3.2 Unless otherwise provided in the Contract Documents, payments shall be made on account of materials and equipment delivered and suitably stored at the site for subsequent incorporation in the Work. If approved in advance by the Owner, payment may similarly be made for materials and equipment suitably stored off the site at a location agreed upon in writing. Payment for materials and equipment stored on or off the site shall be conditioned upon compliance by the Contractor with procedures satisfactory to the Owner to establish the Owner's title to such materials and equipment or otherwise protect the Owner's interest, and shall include the costs of applicable insurance, storage and transportation to the site for such materials and equipment stored off the site.

§ 9.3.3 The Contractor warrants that title to all Work covered by an Application for Payment will pass to the Owner no later than the time of payment. The Contractor further warrants that upon submittal of an Application for Payment all Work for which Certificates for Payment have been previously issued and payments received from the Owner shall, to the best of the Contractor's knowledge, information and belief, be free and clear of liens, claims, security interests or encumbrances in favor of the Contractor, Subcontractors, material suppliers, or other persons or entities making a claim by reason of having provided labor, materials and equipment relating to the Work.

§9.3.3.1 All municipal mechanic's liens filed by a lien claimant shall be governed by N.J.S.A. 2A:44-125 et seq. In the event a municipal mechanic's lien is filed, the Owner reserves the right to withhold the full amount of the lien. The Owner may release the funds to the party against whose account the lien is claimed, only after that party files with the Owner's financial officer, a bond in an amount double of all sums claimed ("Double Bond") under the lien, and such bond's form has been approved by the Owner's chief law officer and financial officer, per N.J.S.A. 2A:44-130 or if an acceptable release of liens is filed by the lien claimant.

#### § 9.4 CERTIFICATES FOR PAYMENT

§ 9.4.1 See Article 5 of Standard Form of Agreement between Owner and Contractor.

§ 9.4.2 See Article 5 of Standard Form of Agreement between Owner and Contractor

§9.4.3 See Article 5 of Standard Form of Agreement between Owner and Contractor.

#### § 9.5 DECISIONS TO WITHHOLD CERTIFICATION

§ 9.5.1 See Article 5 of Standard Form of Agreement between Owner and Contractor

§ 9.5.2 See Article 5 if Standard Form of Agreement between Owner and Contractor.

#### § 9.6 PROGRESS PAYMENTS

§ 9.6.1 After the Engineer, or his designee has issued a Certificate for Payment, the Owner shall make payment in the manner and within the time provided in the Contract Documents, and shall so notify the Engineer, or his designee .

§ 9.6.2 The Contractor shall promptly pay each Subcontractor, upon receipt of payment from the Owner, out of the amount paid to the Contractor on account of such Subcontractor's portion of the Work, the amount to which the Subcontractor is entitled, reflecting percentages actually retained from payments to the Contractor on account of the Subcontractor's portion of the Work and shall certify same to Owner. The Contractor shall, by appropriate agreement with each Subcontractor, require each Subcontractor to make payments to Sub-subcontractors in a similar manner.

§ 9.6.3 The Engineer, or his designee will, on request, furnish to a Subcontractor, if practicable, information regarding percentages of completion or amounts applied for by the Contractor and action taken thereon by the Owner and Engineer, or his designee on account of portions of the Work done by such Subcontractor.

§ 9.6.4 Neither the Owner nor Engineer, or his designee shall have an obligation to pay or to see to the payment of money to a Subcontractor except as may otherwise be required by law.

§ 9.6.5 Payment to material and equipment suppliers shall be treated in a manner similar to that provided in Sections 9.6.2, 9.6.3 and 9.6.4.

#### § 9.7 FAILURE OF PAYMENT

If the Engineer, or his designee does not issue a Certificate for Payment, through no fault of the Contractor, within seven days after receipt of the Contractor's Application for Payment, or if the Owner does not pay the Contractor within seven days after the date established in the Contract Documents the amount certified by the Engineer, or his designee or awarded by binding dispute resolution, then the Contractor may, upon seven additional days' written notice to the Owner and Engineer, or his designee , stop the Work until payment of the amount owing has been received. The Contract Time shall be extended appropriately and the Contract Sum shall be increased by the amount of the Contractor's reasonable costs of shut-down, delay and start-up, plus interest as provided for in the Contract Documents.

#### §9.7 REIMBURSEMENT TO OWNER

§9.7.1 If the Owner is entitled to any reimbursement or payment from the Contractor under, or pursuant to, the Contract Documents, such payment shall be made promptly upon demand by the Owner. Notwithstanding anything contained in the Contract Documents to the contrary, if the Contractor fails to promptly make any payment due the Owner, or the Owner incurs any costs and expenses to cure any default of the Contractor or to correct defective Work, the Owner shall have an absolute right to offset such amount against the Contract Sum and may, in the Owner's sole discretion, elect either to: (1) deduct an amount equal to that which the Owner is entitled from any

payment then, or thereafter, due the Contractor from the Owner; or (2) issue a written notice to the Contractor reducing the Contract Sum by an amount equal to that which the Owner is entitled.

### § 9.8 SUBSTANTIAL COMPLETION

§ 9.8.1 Substantial Completion is the stage in the progress of the Work when the Work or designated portion thereof is sufficiently complete in accordance with the Contract Documents so that the Owner can occupy or utilize the Work for its intended use; provided, however, that a condition precedent to Substantial Completion shall be the Owner's receipt of all certificates of occupancy (permanent or temporary) and any other permits, approvals, licenses, and other documents from any governmental authority having jurisdiction thereof necessary for the occupancy of the Project. The Owner may withhold a certification of Substantial Completion if temporary installations or temporary construction exists in areas requesting certification, or if certificates of occupancy are temporary or conditional.

§ 9.8.2 When the Contractor considers that the Work, or a portion thereof which the Owner agrees to accept separately, is substantially complete, the Engineer, or his designee shall prepare a comprehensive list of items to be completed or corrected ("Punch List"). The Contractor shall proceed immediately and correct items on the list. Failure to include an item on such list does not alter the responsibility of the Contractor to complete all Work in accordance with the Contract Documents. Upon receipt of the list, the Engineer, or his designee, will make an inspection to determine whether the Work or designated portion thereof is substantially complete. If the Engineer, or his designee's inspection discloses any item, whether or not included on the list, which is not in accordance with the requirements of the Contract Documents, the Contractor shall, before issuance of the Certificate of Substantial Completion, complete or correct such item upon notification by the Engineer, or his designee. The Contractor shall then submit a request for another inspection by the Engineer, or his designee to determine Substantial Completion. When the Work or designated portion thereof is substantially complete, the Engineer, or his designee will prepare a Certificate of Substantial Completion which shall establish the date of Substantial Completion, shall establish responsibilities of the Contractor for security, maintenance, heat, utilities, damage to the Work and insurance, and shall fix the time within which the Contractor shall finish all items on the List accompanying the Certificate. Warranties required by the Contract Documents shall commence on the date of Substantial Completion of the Work or designated portion thereof unless otherwise provided in the Certificate of Substantial Completion. The Certificate of Substantial Completion shall be submitted to the Contractor for its written acceptance and to the Owner for its approval and acceptance as required by Section 9.8.1. No Certificate of Substantial Completion shall be deemed effective unless executed by both Owner and Contractor.

### § 9.9 PARTIAL OCCUPANCY OR USE

§ 9.9.1 The Owner may occupy or use any completed or partially completed portion of the Work at any stage when such portion is designated by separate agreement with the Contractor, who shall obtain all necessary modifications to its insurance coverage to permit such occupancy or use. In addition, Contractor shall obtain consent of those public authorities having jurisdiction over the Work. Such partial occupancy or use may commence whether or not the portion is substantially complete pursuant to the terms of that Agreement. When the Contractor considers a portion substantially complete, the Engineer, or his designee shall prepare a Punch List as provided under Section 9.8.2. Consent of the Contractor to partial occupancy or use shall not be unreasonably withheld.

§ 9.9.2 Immediately prior to such partial occupancy or use, the Owner, Contractor and Engineer, or his designee shall jointly inspect the area to be occupied or portion of the Work to be used in order to determine and record the condition of the Work.

§ 9.9.3 Unless otherwise agreed upon, partial occupancy or use of a portion or portions of the Work shall not constitute acceptance of Work not complying with the requirements of the Contract Documents.

§ 9.9.4 The occupancy of any portion of the Work shall not constitute acceptance of any Work, except as hereinafter stated, nor does it waive the Owner's right to Liquidated Damages. Final Acceptance of the Work shall be for the whole Work only and not part.

§ 9.9.5 Occupancy by the Owner shall not be deemed to constitute a waiver of existing claims on behalf of the Owner or Contractor against each other.

**§ 9.10 FINAL COMPLETION AND FINAL PAYMENT**

**§ 9.10.1** Upon completion of the Work, the Contractor shall forward to the Engineer, or his designee a written notice that the Work is ready for final inspection and acceptance and shall also forward to the Engineer, or his designee a final Contractor's Application for Payment. The Engineer, or his designee will promptly make such inspection. When the Engineer, or his designee finds the Work acceptable under the Contract Documents and the Contract fully performed, the Engineer, or his designee will promptly issue a final Certificate for Payment stating that to the best of their knowledge, information and belief, and on the basis of their observations and inspections, the Work has been completed in accordance with terms and conditions of the Contract Documents and that the entire balance found to be due the Contractor and noted in the final Certificate is due and payable. The Engineer, or his designee's final Certificate for Payment will constitute a further representation that conditions listed in Section 9.10.2 as precedent to the Contractor's being entitled to final payment have been fulfilled.

**§ 9.10.2** Neither final payment nor any remaining retained percentage shall become due until the Contractor complies with all requirements set forth in Section 6 of the Standard Form of Agreement between Owner and Contractor and the Contractor submits to the Engineer, or his designee (1) an affidavit that payrolls, bills for materials and equipment, and other indebtedness connected with the Work for which the Owner or the Owner's property might be responsible or encumbered (less amounts withheld by Owner) have been paid or otherwise satisfied, (2) a certificate evidencing that insurance required by the Contract Documents to remain in force after final payment is currently in effect and will not be canceled or allowed to expire until at least 30 days' prior written notice has been given to the Owner, (3) a written statement that the Contractor knows of no substantial reason that the insurance will not be renewable to cover the period required by the Contract Documents, (4) consent of surety, if any, to final payment and (5), if required by the Owner, other data establishing payment or satisfaction of obligations, such as receipts, releases and waivers of liens, claims, security interests or encumbrances arising out of the Contract, to the extent and in such form as may be designated by the Owner. If a Subcontractor refuses to furnish a release or waiver required by the Owner, the Contractor may furnish a bond satisfactory to the Owner to indemnify the Owner against such lien. If such lien remains unsatisfied after payments are made, the Contractor shall refund to the Owner all money that the Owner may be compelled to pay in discharging such lien, including all costs and reasonable attorneys' fees.

**§ 9.10.3** Intentionally omitted

**§ 9.10.4** Acceptance of final payment by the Contractor, a Subcontractor or material supplier shall constitute a waiver of claims by that payee

**ARTICLE 10 PROTECTION OF PERSONS AND PROPERTY**

**§ 10.1 SAFETY PRECAUTIONS AND PROGRAMS**

The Contractor shall be responsible for initiating, maintaining and supervising all safety precautions and programs in connection with the performance of the Contract. The Contractor shall submit the Contractor's safety program to the Engineer, or his designee for review and coordination with the safety programs of other Contractors.

**§ 10.2 SAFETY OF PERSONS AND PROPERTY**

**§ 10.2.1** The Contractor shall take reasonable precautions for safety of, and shall provide reasonable protection to prevent damage, injury or loss to

- .1 employees on the Work and other persons who may be affected thereby;
- .2 the Work and materials and equipment to be incorporated therein, whether in storage on or off the site, under care, custody or control of the Contractor or the Contractor's Subcontractors or Sub-subcontractors; and
- .3 other property at the site or adjacent thereto, such as trees, shrubs, lawns, walks, pavements, roadways, structures and utilities not designated for removal, relocation or replacement in the course of construction.
- .4 Construction or operations by the Owner or other Contractors.

**§ 10.2.2** The Contractor shall comply with and give notices required by applicable laws, statutes, ordinances, codes, rules and regulations, and lawful orders of public authorities bearing on safety of persons or property or their protection from damage, injury or loss.

§ 10.2.3 The Contractor shall erect and maintain, as required by existing conditions and performance of the Contract, reasonable safeguards for safety and protection, including posting danger signs and other warnings against hazards, promulgating safety regulations and notifying Owners and users of adjacent sites and utilities.

§ 10.2.4 When use or storage of explosives or other hazardous materials or equipment or unusual methods are necessary for execution of the Work, the Contractor shall exercise utmost care and carry on such activities under supervision of properly qualified personnel.

§ 10.2.5 The Contractor shall promptly remedy damage and loss (other than damage or loss insured under property insurance required by the Contract Documents) to property referred to in Sections 10.2.1.2, 10.2.1.3 and 10.2.1.4 caused in whole or in part by the Contractor, a Subcontractor, a Sub-subcontractor, or anyone directly or indirectly employed by any of them, or by anyone for whose acts they may be liable and for which the Contractor is responsible under Sections 10.2.1.2, 10.2.1.3 and 10.2.1.4, except damage or loss attributable to acts or omissions of the Owner or Engineer, or his designee or anyone directly or indirectly employed by either of them, or by anyone for whose acts either of them may be liable, and not attributable to the fault or negligence of the Contractor. The foregoing obligations of the Contractor are in addition to the Contractor's obligations under Section 3.18.

§ 10.2.6 The Contractor shall designate a responsible member of the Contractor's organization at the site whose duty shall be the prevention of accidents. This person shall be the Contractor's superintendent unless otherwise designated by the Contractor in writing to the Owner and Engineer, or his designee.

§ 10.2.7 The Contractor shall not permit any part of the construction or site to be loaded so as to cause damage or create an unsafe condition.

#### § 10.2.8 INJURY OR DAMAGE TO PERSON OR PROPERTY

If either party suffers injury or damage to person or property because of an act or omission of the other party, or of others for whose acts such party is legally responsible, written notice of such injury or damage, whether or not insured, shall be given to the other party within a reasonable time not exceeding 21 days after discovery. The notice shall provide sufficient detail to enable the other party to investigate the matter.

#### § 10.3 HAZARDOUS MATERIALS

§ 10.3.1 The Contractor is responsible for compliance with any requirements included in the Contract Documents regarding hazardous materials. If the Contractor encounters a hazardous material or substance not addressed in the Contract Documents and if reasonable precautions will be inadequate to prevent foreseeable bodily injury or death to persons resulting from a material or substance, including but not limited to asbestos or polychlorinated biphenyl (PCB), encountered on the site by the Contractor, the Contractor shall, upon recognizing the condition, immediately stop Work in the affected area and report the condition to the Owner and Engineer, or his designee in writing.

§ 10.3.2 Upon receipt of the Contractor's written notice, the Owner shall obtain the services of a licensed laboratory to verify the presence or absence of the material or substance reported by the Contractor and, in the event such material or substance is found to be present, to cause it to be rendered harmless. Unless otherwise required by the Contract Documents, the Owner shall furnish in writing to the Contractor and Engineer, or his designee the names and qualifications of persons or entities who are to perform tests verifying the presence or absence of such material or substance or who are to perform the task of removal or safe containment of such material or substance.

#### § 10.3.3 Intentionally omitted

§ 10.3.4 The Owner shall not be responsible under this Section 10.3 for materials or substances the Contractor brings to the site unless such materials or substances are required by the Contract Documents. The Owner shall be responsible for materials or substances required by the Contract Documents, except to the extent of the Contractor's fault or negligence in the use and handling of such materials or substances.

§ 10.3.5 The Contractor shall indemnify the Owner for the cost and expense the Owner incurs (1) for remediation of a material or substance the Contractor brings to the site and negligently handles, or (2) where the Contractor fails to perform its obligations under Section 10.3.1, except to the extent that the cost and expense are due to the Owner's fault or negligence.



§ 10.3.6 Intentionally omitted

§ 10.4 EMERGENCIES

In an emergency affecting safety of persons or property, the Contractor shall act, at the Contractor's discretion, to prevent threatened damage, injury or loss. Additional compensation or extension of time claimed by the Contractor on account of an emergency shall be determined as provided in Article 15 and Article 7.

ARTICLE 11 INSURANCE AND BONDS

§ 11.1 CONTRACTOR'S LIABILITY INSURANCE

§ 11.1.1 The County of Union requires all bidders to be able to comply with the following insurance requirements. In the event a bid is accepted by the County, the bidder must accept the applicable insurance requirements, as set forth below, as part of any contract, awarded to it by the County.

1. Automobile Liability Insurance in any amount of not less than \$1,000,000.00 combined single limits for Bodily Injury and Property Damage Liability. A certificate of such current insurance will be provided to the County and will reflect the provision of at least thirty (30) days notice to the County before any major cancellation or major change may be made the policy.

2. Workers Compensation Insurance insuring the obligations of the Contractor and all Subcontractors under the New Jersey Workers Compensation and Occupational Disability Laws as respects to Work performed under the Contract. Insurance will be extended to include any obligations under the United States Longshoremen's and Harbor Workers Act or any maritime act, when applicable.

3. General Liability Insurance will be provided on a Comprehensive General Liability form with a combined single limit of \$3,000,000.00 per occurrence for Bodily Injury Liability and Property Damage Liability and will include the interest of the County with respect to Work emanating from the Contract with the County. The insurance will include the following:

- a) Personal Injury Liability
- b) Blanket Contractual Liability applies to assumption of liability under any written Contract
- c) Coverage for A, X, C, U exposures, relating to excavation, blasting underground damage
- d) Broad Form Property Damage Liability
- e) Products and/or Completed Operations Liability

A Certificate of Insurance will be filed with the County prior to commencement of any Work. This certificate will contain a provision that insurance afforded under the policies will not be canceled without at least (30) days prior written notice being given to the County.

.1

§ 11.1.2 The insurance required by Section 11.1.1 shall remain in effect for the duration of the project, i.e., from beginning of construction until final payment and closeout.

§ 11.1.3 All insurance required by Section 11.1.1 shall be issued by insurance companies authorized to do business in the State of New Jersey and rated as "A" or better as determined by A.M. Best Company.

§ 11.1.4 The Contractor waives all rights against the Owner for damages caused by fire or other perils to the extent covered by insurance provided under this Article. Any deductibles, co-insurance, or contribution to the loss will be borne solely by the Contractor.

§ 11.1.5 A certificate of insurance evidencing the coverages required by Section 11.1.1 shall be submitted to the Owner's attorney for approval and transmittal to the Owner and Engineer, or his designee prior to the commencement of the Work. The certificate must be submitted on the ACORD form Certificate of Insurance. These certificates and the insurance policies required by this Section 11.1 shall contain a provision that coverages afforded under the policies will not be canceled or allowed to expire until at least thirty (30) days written notice has been given to the Owner. If requested by the Owner, the Contractor shall provide complete copies of any policies of insurance required by this Contract to be obtained by the Contractor and Subcontractor(s). Information concerning any reduction of coverage shall be furnished by the Contractor with reasonable promptness in accordance with the Contractor's information and belief.

§ 11.2 PROPERTY INSURANCE

§ 11.2.1 Unless otherwise provided, the Owner shall purchase and maintain, in a company or companies lawfully authorized to do business in the jurisdiction in which the Project is located, property insurance in the amount of the initial Contract Sum as well as subsequent modifications thereto for the entire Work at the site on a replacement cost

basis without voluntary deductibles. Such property insurance shall be maintained, unless otherwise provided in the Contract Documents or otherwise agreed in writing by all persons and entities who are beneficiaries of such insurance, until final payment has been made as provided in Section 9.10 or until no person or entity other than the Owner has an insurance interest in the property required by this Section 11.2 to be covered, whichever is earlier. This insurance shall include the interest of the Owner, Contractor, Subcontractor(s), and Sub-Contractor(s) in the Work.

§ 11.2.1.1 Property insurance shall be on an "all-risk" policy form and shall be against the perils of fire and extended coverage and physical loss or damage including, without duplication of coverage, theft, vandalism, malicious mischief, collapse, falsework, temporary buildings and debris removal including demolition occasioned by enforcement of any applicable legal requirements, and shall cover reasonable compensation for Engineer, or his designee's services and expenses required as a result of such insured loss. Coverage for all other perils shall not be required unless otherwise provided in the Contract Documents.

§ 11.2.1.2 If the Owner does not intend to purchase such property insurance required by the Contract and with all of the coverages in the amount described above, the Owner shall so inform the Contractor in writing prior to commencement of the Work. The Contractor may then effect insurance which will protect the interests of the Contractor, Subcontractor(s) and Sub-subcontractor(s) in the Work. If the Contractor is damaged by the failure or neglect of the Owner to purchase or maintain insurance as described above, without so notifying the Contractor, then the Owner shall bear all reasonable costs properly attributable thereto.

§ 11.2.1.3 If the property insurance requires minimum deductibles, and such deductibles are identified in the Contract Documents, the Contractor shall pay costs not covered because of such deductibles. If the Owner or insurer increases the required minimum deductibles over the amounts so identified or if the Owner elects to purchase this insurance with voluntary deductible amounts, the Owner shall be responsible for payment of the additional costs not covered because of such increased or voluntary deductibles.

§ 11.2.1.4 Unless otherwise provided in the Contract documents, this property insurance shall cover portions of the Work stored off the site after written approval of the Owner at the value established in the approval, and also portions of the Work in transit.

§ 11.2.1.5 A loss insured under Owner's property insurance shall be adjusted by the Owner as fiduciary and made payable to the Owner as fiduciary for the insureds, as their interests may appear, subject to requirements of any applicable mortgage clause and of Section 11.3.10. The Contractor shall pay Subcontractor(s) their just shares of insurance proceeds received by the Contractor, and by appropriate agreements, written where legally required for validity, shall require Subcontractor(s) to make payments to their Sub-Contractor(s) in a similar manner.

#### § 11.2.2 BOILER AND MACHINERY INSURANCE

The Owner shall purchase and maintain boiler and machinery insurance required by the Contract Documents or by law, which shall specifically cover such insured objects during installation and until final acceptance by the Owner; this insurance shall include interests of the Owner, Contractor, Subcontractors and Sub-subcontractors in the Work, and the Owner and Contractor shall be named insureds. The Owner as fiduciary shall have the power to adjust and settle a loss with insurers.

#### § 11.2.3 LOSS OF USE INSURANCE

The Owner, at the Owner's option, may purchase and maintain such insurance as will insure the Owner against loss of use of the Owner's property due to fire or other hazards, however caused.

§ 11.2.4 If the Contractor requests in writing that insurance for risks other than those described herein or other special causes of loss be included in the property insurance policy, the Owner shall, if possible, include such insurance, and the cost thereof shall be charged to the Contractor by appropriate Change Order.

#### § 11.3 PERFORMANCE BOND, PAYMENT BOND AND MAINTENANCE BOND

§ 11.3.1 Contractor, at its sole expense, shall furnish bonds covering faithful performance of the contract and payment of obligations arising thereunder as stipulated in bidding requirements or specifically required in the Contract Documents on the date of execution of the Contract, including material and labor..



§ 11.3.2 Upon the request of any person or entity appearing to be a potential beneficiary of bonds covering payment of obligations arising under the Contract, the Contractor shall promptly furnish a copy of the bonds or shall authorize a copy to be made

§ 11.3.3 The Contractor shall file with the Owner, as a condition of final acceptance, a statement from the Surety of its Performance Bond and Payment Bond, that the Surety is satisfied that all claims for labor and material supplied under its contract have been satisfactorily settled.

§ 11.3.4 As a condition of Substantial Completion of the Work, the Contractor shall provide an acceptable Maintenance Bond in accordance with section 16, page G-9 of the Instructions to Bidders.

## ARTICLE 12 UNCOVERING AND CORRECTION OF WORK

### § 12.1 UNCOVERING OF WORK

§ 12.1.1 If a portion of the Work uncovered is contrary to the Engineer, or his designee's request or to requirements specifically expressed in the Contract Documents, it must, if requested in writing by the Engineer, or his designee, be uncovered for the Engineer, or his designee's examination and be replaced at the Contractor's expense without change in the Contract Time or Contract Sum.

§ 12.1.2 If a portion of the Work has been covered that the Engineer, or his designee has not specifically requested to examine prior to its being covered, the Engineer, or his designee may request to see such Work and it shall be uncovered by the Contractor. If such Work is in accordance with the Contract Documents, costs of uncovering and replacement shall, by appropriate Change Order, be at the Owner's expense. If such Work is not in accordance with the Contract Documents, such costs and the cost of correction shall be at the Contractor's expense unless the condition was caused by the Owner or a separate Contractor in which event the Owner shall be responsible for payment of such costs.

### § 12.2 CORRECTION OF WORK

The Contractor shall promptly correct Work rejected by the Engineer, or his designee or failing to conform to the requirements of the Contract Documents, whether discovered before or after Substantial Completion and whether or not fabricated, installed or completed. Costs of correcting such rejected Work, including additional testing and inspections, the cost of uncovering and replacement, and compensation for the Engineer, or his designee's services and expenses made necessary thereby, shall be at the Contractor's expense.

§ 12.2.2.1 In addition to the Contractor's obligations under Section 3.5, if, within one year after the date of Substantial Completion of the Work or designated portion thereof or after the date for commencement of warranties established under Section 9.9.1, or by terms of an applicable special warranty required by the Contract Documents any of the Work is found to be not in accordance with the requirements of the Contract Documents, the Contractor shall correct it promptly after receipt of written notice from the Owner to do so unless the Owner has previously given the Contractor a written acceptance of such condition. The Owner shall give such notice promptly after discovery of the condition. The Contractor shall give such notice promptly after discovery of the non-conforming work. If the Contractor fails to correct nonconforming Work within a reasonable time during that period after the receipt of notice from the Owner or Engineer, or his designee, the Owner may correct it in accordance with Section 2.4. This obligation under Section 12.2.2 shall survive acceptance of the Work under the Contract and termination of the Contract.

§ 12.2.2.2 The one-year period for correction of Work shall be extended with respect to portions of Work first performed after Substantial Completion by the period of time between Substantial Completion and the actual completion of that portion of the Work.

§ 12.2.2.3 Intentionally omitted.

§ 12.2.3 The Contractor shall remove from the site portions of the Work that are not in accordance with the requirements of the Contract Documents and are neither corrected by the Contractor nor accepted by the Owner.

§ 12.2.4 The Contractor shall bear the cost of correcting destroyed or damaged work, whether completed or partially completed, of the Owner or separate contractors caused by the Contractor's correction or removal of Work that is not in accordance with the requirements of the Contract Documents.

§ 12.2.5 Nothing contained in this Section 12.2 shall be construed to establish a period of limitation with respect to other obligations the Contractor has under the Contract Documents. Establishment of the one-year period for correction of Work as described in Section 12.2.2 relates only to the specific obligation of the Contractor to correct the Work, and has no relationship to the time within which the obligation to comply with the Contract Documents may be sought to be enforced, nor to the time within which proceedings may be commenced to establish the Contractor's liability with respect to the Contractor's obligations other than specifically to correct the Work, nor to any deficient Work discovered after the one-year period that could not have readily been discovered.

### § 12.3 ACCEPTANCE OF NONCONFORMING WORK

If the Owner prefers to accept Work, that is not in accordance with the requirements of the Contract Documents, the Owner may do so instead of requiring its removal and correction, in which case the Contract Sum will be reduced as appropriate and equitable. Such adjustment shall be effected whether or not final payment has been made. However, there shall be no implied or expressed acceptance of Work not in compliance with applicable law. The amount of said reduction will be within the exclusive determination of the Owner as its representative.

## ARTICLE 13 MISCELLANEOUS PROVISIONS

### § 13.1 GOVERNING LAW

§ 13.1.1 The Contract shall be governed by the laws of the State of New Jersey.

§ 13.1.2 Nothing in the Contract Documents shall be construed to permit deviation from the governing law.

§ 13.1.3 In accordance with N.J.S.A. 40A:11-18, American manufactured products or materials shall be used in the Work, wherever possible.

### 13.1.4 RATE OF WAGES

Where the Project is not subject to a Project Labor Agreement, wage notes shall be paid pursuant to the New Jersey Prevailing Wage Act, N.J.S.A. 34:11-56.25 et seq, the Contractor and Subcontractor are required to do the following:

§ 13.1.4.1 Pay to all workmen engaged in the performance of services, directly upon a public work, the prevailing rate of wages, which shall be those in effect for the Project site(s) on the Contract Date and such rates shall remain in effect for (2) years, unless superseded by a subsequent determination.

§ 13.1.4.2 Before final payment, furnish Owner with an affidavit stating that all workmen have been paid the prevailing rate of wages specified in the contract.

§ 13.1.4.3 Keep an accurate record showing the name, craft, or trade and actual hourly rate of wages paid to each workman employed by it in connection with any public work. Records shall be preserved for two (2) years from date of payment.

§ 13.1.4.4 Post the prevailing wage rated for each craft and classification involved as determined by the Commissioner of Labor and Industry, including the effective date of any changes thereof in prominent and easily accessible places at the site of the Work, and at such place or places as are used by them to pay workmen their wages.

§ 13.1.4.5 Submit the Owner, certified payroll records for each payroll period within ten (10) days of the payment of wages. A certified payroll record is defined as "a payroll record that is attested by the employer or the Owner of the company doing business as the employer, or a corporate officer of such company, or an authorized agent of the employer". A copy of the certified payroll form for submission of the payroll records may be obtained by contacting the Department of Labor, Division of Workplace Standards at 609.292.2259.

§ 13.1.4.6 In the event the Owner finds that any workers employed by the Contractor or Subcontractor, covered by the said contract, have been paid a rate of wages less than the prevailing wage required to be paid by such contract, the Owner may terminate the Contractor's or Subcontractor's right to proceed with the Work, or such part of the

Work as to where there has been a failure to pay required wages, and to prosecute the Work to completion or otherwise, the Contractor and its sureties shall be liable to the Owner for any excess costs occasioned thereby,

§ 13.1.4.7 a current wage rate determination is on file at the offices of the Owner for inspection and Contractor's use.

### § 13.1.5 SAFETY AND HEALTH REGULATIONS (OSHA)

§ 13.1.5.1 The Contractor shall comply with the laws, rules, regulations and codes dealing with occupational safety and health, including, but not limited to, the latest amendments of the following:

§ 13.1.5.2 Williams – Steiger Occupational Safety and Health Act of 1970, Public Law 91-595

§ 13.1.5.3 Part 1910 – Occupational Safety and Health Standards Chapter XVII of Title 29, Code of Federal Regulations.

§ 13.1.5.4 Part 126 – Safety and Health Regulations for Construction, Chapter XVII of Title 29, Code of Federal Regulations.

§ 13.1.5.3 N.J.A.C. 8:59-5.1-5.109 requirements properly label any substances stored in containers) of the Worker and Community Right to Know Act, P.L. 1983, c.315.

### § 13.1.6 ENVIRONMENTAL REGULATIONS

§ 13.1.6.1 The Contractor shall comply with laws, rules, regulations, and codes dealing with the prevention of environmental pollution and the preservation of public natural resources, including but not limited to, the latest amendments of the following:

§ 13.1.6.2 Chapter 251, public Law of 1975 of the State of New Jersey, "soil Erosion and Sediment Control Act."

### § 13.1.7 AFFIRMATION ACTION EMPLOYMENT LAW

Contractor agrees to comply with the terms of the Mandatory Equal Employment Opportunity Language, a copy of which is annexed to the Contract Documents as Exhibit F and incorporated as if set forth herein.

§ 13.1.7.1 Contractor shall submit a copy of the Monthly Project Workforce Report, New Jersey Department of Treasury Form AA-202, to the New Jersey Department of Treasury's Division of Public Contracts Equal Employment Opportunity Compliance and to the Owner

§ 13.1.7.2 Contractor shall complete and submit to the Owner an Initial Project Workforce Report, New Jersey Department of Treasury Form AA 201, upon notification of award and no later than the execution of this Agreement. Failure to submit this completed form may result in this Agreement being terminated.

### § 13.2. SUCCESSORS AND ASSIGNS

§ 13.2.1 The Owner and Contractor respectively bind themselves, their partners, successors, assigns and legal representatives to covenants, agreements and obligations contained in the Contract Documents, neither party to the Contract shall assign the Contract as a whole without written consent of the other, unless as may be provided for elsewhere in the Contract Documents. If either party attempts to make such an assignment without such consent, that party shall nevertheless remain legally responsible for all obligations under the Contract.

### § 13.3 WRITTEN NOTICE

Written notice shall be deemed to have been duly served if delivered in person to the individual, to a member of the firm or entity, or to an officer of the corporation for which it was intended; or if delivered at or sent by registered or certified mail or by courier service providing proof of delivery to, the last business address known to the party giving notice.

### § 13.4 RIGHTS AND REMEDIES

§ 13.4.1 Duties and obligations imposed by the Contract Documents and rights and remedies available thereunder shall be in addition to and not a limitation of duties, obligations, rights and remedies otherwise imposed or available by law.

§ 13.4.2 No action or failure to act by the Owner, Engineer, or his designee or Contractor shall constitute a waiver of a right or duty afforded them under the Contract, nor shall such action or failure to act constitute approval of or acquiescence in a breach there under, except as may be specifically agreed in writing.

### § 13.5 TESTS AND INSPECTIONS

§ 13.5.1 Tests, inspections and approvals of portions of the Work shall be made as required by the Contract Documents and by applicable laws, statutes, ordinances, codes, rules and regulations or lawful orders of public authorities. Unless otherwise provided, the Contractor shall make arrangements for such tests, inspections and approvals with an independent testing laboratory or entity acceptable to the Owner, or with the appropriate public authority, and shall bear all related costs of tests, inspections and approvals. The Contractor shall give the Engineer, or his designee timely notice of when and where tests and inspections are to be made so that the Engineer, or his designee may be present for such procedures. The Owner shall bear costs of (1) tests, inspections or approvals that do not become requirements until after bids are received or negotiations concluded, and (2) tests, inspections or approvals where building codes or applicable laws or regulations prohibit the Owner from delegating their cost to the Contractor.

§ 13.5.2 If the Engineer, or his designee, Owner or public authorities having jurisdiction determine that portions of the Work require additional testing, inspection or approval not included under Section 13.5.1, the Engineer, or his designee will, upon written authorization from the Owner, instruct the Contractor to make arrangements for such additional testing, inspection or approval by an entity acceptable to the Owner, and the Contractor shall give timely notice to the Engineer, or his designee of when and where tests and inspections are to be made so that the Engineer, or his designee may be present for such procedures. Such costs, except as provided in Section 13.5.3, shall be at the Owner's expense.

§ 13.5.3 If such procedures for testing, inspection or approval under Sections 13.5.1 and 13.5.2 reveal failure of the portions of the Work to comply with requirements established by the Contract Documents, all costs made necessary by such failure including those of repeated procedures and compensation for the Engineer, or his designee's services and expenses shall be at the Contractor's expense.

§ 13.5.4 Required certificates of testing, inspection or approval shall, unless otherwise required by the Contract Documents, be secured by the Contractor and promptly delivered to the Engineer, or his designee.

§ 13.5.5 If the Engineer, or his designee is to observe tests, inspections or approvals required by the Contract Documents, the Engineer, or his designee will do so promptly and, where practicable, at the normal place of testing.

§ 13.5.6 Tests or inspections conducted pursuant to the Contract Documents shall be made promptly to avoid unreasonable delay in the Work.

### § 13.6 INTEREST

Except as required by Section 5.1.3 of the Owner Contractor Agreement and notwithstanding anything to the contrary contained in the Contract Documents and related documents, the Owner will pay no interest whatsoever for any payments due.

### § 13.7 TIME LIMITS ON CLAIMS

Intentionally deleted.

## ARTICLE 14 TERMINATION OR SUSPENSION OF THE CONTRACT

### § 14.1 TERMINATION BY THE CONTRACTOR

§ 14.1.1 The Contractor may terminate the Contract if the Work is stopped for a period of 30 consecutive days through no act or fault of the Contractor or a Subcontractor, Sub-subcontractor or their agents or employees or any other persons or entities performing portions of the Work under direct or indirect contract with the Contractor, for any of the following reasons:

- .1 Issuance of an order of a court or other public authority having jurisdiction that requires all Work to be stopped;
- .2 An act of government, such as a declaration of national emergency that requires all Work to be stopped;

§ 14.1.2 Intentionally deleted

§ 14.1.3 If one of the reasons described in Section 14.1.1 exists, the Contractor may, upon thirty (30) days' written notice to the Owner and Engineer, or his designee, terminate the Contract

§ 14.1.4 Intentionally deleted.

#### § 14.2 TERMINATION BY THE OWNER FOR CAUSE

§ 14.2.1 The Owner may terminate the Contract if the Contractor after Notice and an opportunity to cure.

- .1 refuses or fails to supply enough properly skilled workers or proper materials;
- .2 fails to make payment to Subcontractors for materials or labor in accordance with the respective agreements between the Contractor and the Subcontractors;
- .3 disregards laws, ordinances, rules or regulations, or orders of a public authority having jurisdiction;
- .4 fails to furnish the Owner with assurances satisfactory to the Owner, evidencing the Contractor's ability to complete the Work in compliance with all requirements of the Contract Documents;
- .5 fails after commencement of the Work, to proceed continuously with the construction and completion of the Work, for more than three (3) days, except as permitted by the Contract Documents;
- .6 disregards orders of the Owner or Engineer, or his designee;
- .7 fails to maintain the Site in a clean, safe and orderly manner;
- .8 fails to comply with a Construction Change Directive; or
- .9 otherwise is guilty of any breach of a provision of the Contract Documents.

§ 14.2.2 When any of the above reasons exist, the Owner, upon certification by the Initial Decision Maker that sufficient cause exists to justify such action, may without prejudice to any other rights or remedies of the Owner and after giving the Contractor and the Contractor's surety, if any, seven days' written notice, terminate employment of the Contractor and may, subject to any prior rights of the surety:

- .1 Exclude the Contractor from the site and take possession of all materials, equipment, tools, and construction equipment and machinery thereon owned by the Contractor;
- .2 Accept assignment of subcontracts pursuant to Section 5.4; and
- .3 Finish the Work by whatever reasonable method the Owner may deem expedient. And charge the costs incurred against the Contractor's Contract balance

§ 14.2.3 When the Owner terminates the Contract for one of the reasons stated in Section 14.2.1, the Contractor shall not be entitled to receive further payment until the Work is finished. The Engineer, or his designee's certification issued pursuant to Section 14.2.2 shall be given a presumption of correctness.

§ 14.2.4 If the unpaid balance of the Contract Sum exceeds costs of finishing the Work, including compensation for the Engineer, or his designee's services and expenses made necessary thereby, and other damages incurred by the Owner and not expressly waived, such excess shall be paid to the Contractor. If such costs and damages exceed the unpaid balance, the Contractor shall pay the difference to the Owner. The amount to be paid to the Contractor or Owner, as the case may be, shall be certified by the Engineer, or his designee, upon application, and this obligation for payment shall survive termination of the Contract.

#### § 14.3 SUSPENSION BY THE OWNER FOR CONVENIENCE

§ 14.3.1 The Owner may, without cause, order the Contractor in writing to suspend, delay or interrupt the Work in whole or in part for such period of time as the Owner may determine.

§ 14.3.2 Intentionally deleted.

#### § 14.4 TERMINATION BY THE OWNER FOR CONVENIENCE

§ 14.4.1 The Owner may, at any time, terminate the Contract for the Owner's convenience and without cause.

§ 14.4.2 Upon receipt of written notice from the Owner of such termination for the Owner's convenience, the Contractor shall

- .1 cease operations as directed by the Owner in the notice;

- 2 take actions necessary, or that the Owner may direct, for the protection and preservation of the Work; and
- 3 except for Work directed to be performed prior to the effective date of termination stated in the notice, terminate all existing subcontracts and purchase orders and enter into no further subcontracts and purchase orders.

§ 14.4.3 In case of such termination for the Owner's convenience, the Contractor shall be entitled to receive payment for Work executed, and costs incurred by reason of such termination, along with reasonable overhead and profit on the Work not executed.

## ARTICLE 15 CLAIMS AND DISPUTES

### § 15.1 CLAIMS

#### § 15.1.1 DEFINITION

A Claim is a demand or assertion by one of the parties seeking adjustment or interpretation of Contract terms, payment of money, extension of time, or other relief with respect to the terms of the Contract. Any Contractor Claim seeking the payment of money shall not include consequential damages, which Contractor hereby waives, and shall be calculated in accordance with Section 7.3.6 and Section 7.3.10 hereof.

#### § 15.1.2 DECISION OF ENGINEER, OR HIS DESIGNEE

Owner and Contractor agree that the Engineer, or his designee shall be the initial arbiter of all Claims, including those alleging error or omission by the Engineer, or his designee. All claims, shall be referred, initially to the Engineer, or his designee for action as provided in Article 4 and shall be required as a condition precedent to litigation of a Claim between the Contractor and Owner to all such matters arising prior to the date final payment is due, regardless of: (1) whether such matters relate to execution and progress of the Work; or (2) the extent to which the work has been completed. The decision by the Engineer, or his designee in response to a Claim shall not be a condition precedent to litigation in the event: (1) the position of the Engineer, or his designee is vacant; (2) the Engineer, or his designee has not received evidence or has failed to render a decision within agreed time limits; (3) the Engineer, or his designee has failed to take action required under Article 4 within thirty (30) days after the Claim is made; (4) forty-five (45) days have passed after the Claim has been referred to the Engineer, or his designee; or, (5) the claim relates to a mechanic's lien.

#### § 15.1.3 TIME LIMITS ON CLAIMS

Claims must be within twenty one (21) calendar days after the occurrence of the event giving rise to the Claim or within twenty-one (21) calendar days after the claimant first becomes aware of the condition giving rise to the Claim, whichever is later. There shall be no time limitation upon any Claims made by the Owner. Claims must be made by written notice to the Engineer, or his designee. An additional Claim made after the initial Claim has been implemented by Change Order will not be considered unless submitted pursuant to the requirements of this Paragraph. Notice shall be deemed effective upon the Engineer, or his designee's receipt of the Notice.

#### § 15.1.4 CONTINUING CONTRACT PERFORMANCE

Pending final resolution of a Claim, unless otherwise agreed in writing, the Contractor shall proceed diligently with performance of the Contract and the Owner shall continue to make payments to the extent required by the Contract Documents.

#### § 15.1.5 CLAIMS FOR CONCEALED OR UNKNOWN CONDITIONS

If conditions are encountered at the Site which are: (1) subsurface or otherwise concealed physical conditions which differ materially from those indicated in the Contract Documents; or (2) unknown physical conditions of an unusual nature, which differ materially from those ordinarily found to exist and generally recognized as inherent in construction activities of the character provided for the Contract Documents, the Owner and Contractor mutually agree to give written notice to each other; including the Engineer, or his designee and any affected Contractor or subcontractor, upon the observation of the condition within twenty-four (24) hours of first observation of the condition. The Engineer, or his designee will investigate such conditions within seventy-two (72) hours and will diligently process and render a recommendation within twenty-one (21) days unless otherwise agreed in writing. If the Engineer, or his designee determines that the condition at the site are not materially different from those indicated in the Contract Documents and that no change in the terms of the Contract is justified the Engineer, or his designee shall so notify the Owner and Contractor in writing, stating the reasons. Claims by either party in



opposition to such determination must be made within seven (7) days after the Engineer, or his designee has given notice of the decision.

#### § 15.1.6 CLAIMS FOR ADDITIONAL COST

If the Contractor wishes to make a Claim for an increase in the Contract Sum written notice as provided herein shall be given before proceeding to execute the Work. All documentation in support of the Contractor's request shall, likewise be provided at the time said written request is made. Prior notice is not required for Claims relating to an emergency endangering life or property arising under Section 10.3 or elsewhere in the Contract Documents.

#### § 15.2 CLAIMS FOR ADDITIONAL TIME

§ 15.2.1 If the Contractor wishes to make a Claim for an increase in the Contract Time, written notice as provided herein shall be given. The Contractor's Claim shall include an estimate of cost and of probable effect of delay on progress of the Work, , all documentation in support of the Contractor's request shall, likewise be provided at the time said written request is made. In the case of a continuing delay, only one Claim is necessary.

§ 15.2.2 If adverse weather conditions are the basis for a Claim for additional time, such Claim shall be documented by data substantiating that weather conditions were abnormal for the period of time, could not have been reasonably anticipated and had an adverse effect on the scheduled construction. The term "abnormal" as used here shall be construed according to the following formula: average rainfall (or snow, low temperature, etc) for the past five (5) years for the month in question, plus ten percent (10%). Accordingly, weather is not deemed to be abnormal unless it is ten percent (10%) worse than the average for the month over the past five (5) years. Claims relating to weather must be submitted within seven (7) calendar days of the occurrence of any such delays.

§ 15.3 CLAIMS FOR INJURY OR DAMAGE TO PERSON OR PROPERTY. If either Party to the Contract suffers injury or damage to person or property because of an act or omission of the other party, of any of the other party's employees or agents, or of others for whose acts such party is legally liable, written notice of such injury or damage, whether or not insured, shall be given to the other party, including the Engineer, or his designee , within a reasonable time not exceeding twenty-one (21) days after first occurrence, unless another time period is required by law. The notice shall provide sufficient detail to enable the other party to investigate the matter. If a Claim for additional cost or time related to this Claim is to be asserted, it shall be filed as provided for in Article 15.

§ 15.3.2 The Owner is not required to institute a claim under this section in order to terminate this Agreement.

#### § 15.4 RESOLUTION OF CLAIMS AND DISPUTES

The Engineer, or his designee will review Claims and take one or more of the following preliminary actions with ten (10) days of receipt of a Claim: (1) request additional supporting data from the claimant; (2) reject the Claim in who or in part, stating reasons for rejection ; (3) recommend approval of the Claim by other party; or (4) suggest a compromise.

§ 15.4.2 If a Claim has been resolved, the Engineer, or his designee will prepare or obtain appropriate documentation in consultation with Owner's counsel as circumstances dictate.

§ 15.4.3 If a Claim has not been resolved after consideration of the foregoing and of further evidence presented by the parties or requested by the Engineer, or his designee , the Engineer, or his designee will notify the parties in writing that the Engineer, or his designee 's decision will be made within seven (7) days, which decision shall be final. Upon expiration of such time period, the Engineer, or his designee will render to the parties the Engineer, or his designee 's written decision relative to the Claim, including any change in the Contract Sum or Contract Time or both.

#### § 15.5. CLAIMS FORUM

Unless otherwise required by Section 5.1.3 of the Standard Form of Agreement between the Owner and Contractor, claims, disputes, or other matters in question between the parties to this Contract arising out of or relating to the Project or to this Contract, or the alleges breach thereof, shall be subject in the first instance to mediation and failing that, there in, a Court of competent jurisdiction venued in Union County, New Jersey. The Owner may not be compelled to submit any dispute concerning the Project to arbitration. By accepting award of the Contract and executing the Agreement, the Contractor consents to its joinder as a party in any litigation, mediation, arbitration or any other legal proceeding involving the Project and any references in the Contract documents.

§ 16.1 INTERPRETATIONS IN WRITING

§ 16.1.1 Neither the price bid for the work of any Contract, nor the Contract Sum, shall be based in any manner upon oral opinions, or real or alleged instructions of an oral nature, regardless if whether such opinions or instructions are expressed by the Owner, the Engineer, or his designee or its Consultants, the Contractor, or agents or representative of any of them and no such oral communication shall form the basis of a Claim.

§ 16.1.2 These provisions do not intend to deny, on an oral basis, normal discussion, recommendations, explanations, suggestions, approvals, rejections, and similar activity in pursuit of the work of the Project, such as at job conferences and otherwise at the Site. In such instances, the written minutes, correspondence, shop drawing records, written field orders, and other written data shall govern over personal claims regarding statements made contrary to the written data.

§ 17.1 JOB SITE MEETINGS

§ 17.1.1 Job site meetings, when called by the Engineer, or his designee, shall be held at a location and time convenient to the Owner's representatives, the Engineer, or his designee, and Contractor(s). Each Contractor shall attend such meeting, or be represented by a person in authority who is thoroughly familiar with the Project and who can speak and make decisions for the Contractor. In the instance of a Single Overall Contract, each of the major Subcontractors-Structural Steel, and ornamental iron work, plumbing, gas fitting and all kindered work and steam power plants, steam, and hot water heating and ventilating apparatus and Electrical-shall have a person in authority who is thoroughly familiar with the Project attend the meetings.

§ 18.1 MANDATORY LAW AGAINST DISCRIMINATION LANGUAGE  
PROCUREMENT, PROFESSIONAL AND SERVICE CONTRACTS  
(N.J.A.C. 13:6-1.3)

§ 18.1.1 The parties of this contract do hereby agree that the provision of N.J.S.A. 10:2-1 through N.J.S.A. 10:2-4 dealing with discrimination in employment on public contracts, and the rules and regulations promulgated pursuant thereto, are hereby made a part of this contract and are binding upon them.

§ 18.1.1 Pursuant to the provision of N.J.S.A. 10:2-1 through N.J.S.A. 10:2-4, during the performance of this contract, the Contractor agrees as follows:

§ 18.2.1.1 In the hiring of persons for the performance of work under this contract or any subcontract hereunder, or for the procurement, manufacture, assembling or furnishing of any such materials, equipment, supplies or services to be acquired under this contract, no Contractor, including without limitation, the Contractor, nor any person acting on behalf of such Contractor or subcontractor, shall by reason of race, creed, color national origin, ancestry, Marital status, gender identity or expression, affectional or sexual orientation, or sex, discriminate against any person who is qualified and available to perform the Work, to which the employment relates;

§ 18.2.1.2 No Contractor, including, without limitation, the Contractor, Subcontractor, nor any person acting on its behalf shall, in any manner, discriminate against or intimidate any employee engaged in the performance of work under this Contract or any subcontract hereunder, or engaged in the procurement, manufacture, assembling or furnishing of any such materials, equipment, supplies or services to be acquired under such Contract, on account of race, creed, color, national origin, ancestry, marital status, gender identity or expression, affectional or sexual orientation, or sex;

§ 18.2.1.3 There may be deducted from the amount payable to the Contractor by the Owner, under the Contract, a penalty of \$50.00 (fifty dollars) for each person for each calendar day during which such person is discriminated against or intimidated in violation of the provisions of the Contract; and

§ 18.2.1.4 This contract may be canceled or terminated by the Owner, and all the money due or to become due hereunder may be forfeited, for any violation of this section of the Contract occurring after notice to the Contractor from the contracting public agency or any prior violation of this section of the Contract.

§ 19.1 CONTRACTOR AND SUBCONTRACTOR COLLECTION OF USE TAX TO LOCAL GOVERNMENTS

§ 19.1.1 The Contractor acknowledges and agrees that pursuant to P.L. 2004, c. 57, enacted by the State of New Jersey on June 29, 2004, contractors or contractors with subcontractors, or their affiliates, who enter into contracts

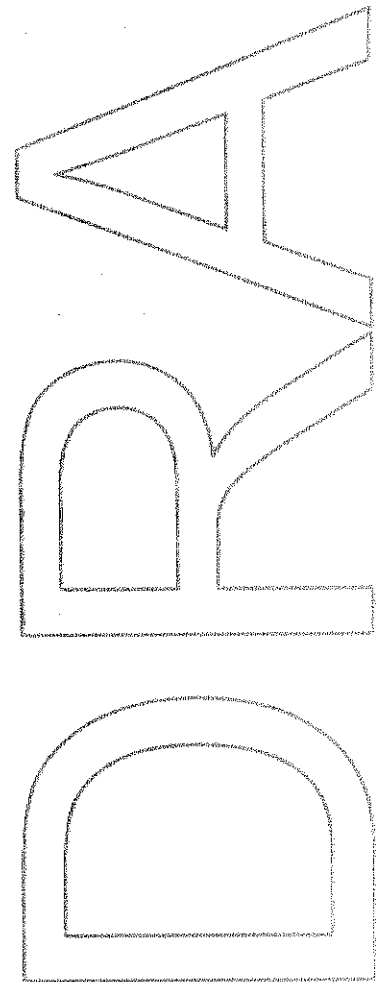


with New Jersey local government entities, including without limitation, boards of education, are, effective as of September 1, 2004, required to collect and remit to the New Jersey Director of Taxation in the Department of the Treasury the use tax pursuant to the "sales and Use Tax Act," P.L. 1966, c. 30 (C.54:32B-1 et. seq.) on all their sales of tangible personal property delivered into the State of New Jersey (hereinafter referred to as the "Contractor Use Tax Collection Legislation").

§ 19.2.1 The Contractor hereby covenants and agrees that the Contractor, any subcontractor and each of their affiliates, shall collect and remit to the New Jersey Director of the Division of Taxation in the Department of Treasury, the use tax due pursuant to the "Sales and Use Tax Act," P.L. 1966, c. 30 (C.54:32B-1 et. seq.) on all their sales of tangible personal property delivered into the State of New Jersey. For purposes herein, "affiliate" shall mean any entity that : (a) directly, indirectly or constructively controls another entity; (b) is directly, indirectly, or constructively controlled by another entity; or (c) is subject to the control of a common entity. For purposes of the immediately preceding sentence, an entity controls another entity if it owns, directly or indirectly, more than fifty percent (50%) of the Ownership interest in that entity.

§ 19.3.1 The parties intend that this Article 19 shall comply with the rules and regulations promulgated pursuant to the Contractor Use Tax Collection Legislation and shall be interpreted consistent therewith.

§ 19.4 Notwithstanding anything contained in the Agreement to the contrary, the Contractor hereby agrees to indemnify and hold the Owner harmless from and against any and all fines, taxes, penalties, interest, claims, losses. Costs, expenses, liabilities, or damages arising out of or in connection with the Contractor's failure to comply with the terms and condition of Sections 19.1 and 19.2 to the fullest extent permitted by law and public policy.





STATE OF NEW JERSEY  
Department of Labor and Workforce Development  
Division of Wage and Hour Compliance - Public Contracts Section  
PO Box 389  
Trenton, NJ 08625-0389

**PREVAILING WAGE RATE DETERMINATION**

The New Jersey Prevailing Wage Act (N.J.S.A. 34:11-56.25 et seq.) requires that the Department of Labor and Workforce Development establish and enforce a prevailing wage level for workers engaged in public works in order to safeguard their efficiency and general well being and to protect them as well as their employers from the effects of serious and unfair competition.

Prevailing wage rates are wage and fringe benefit rates based on the collective bargaining agreements established for a particular craft or trade in the locality in which the public work is performed. In New Jersey, these rates vary by county and by the type of work performed.

Applicable prevailing wage rates are those wages and fringe benefits in effect on the date the contract is awarded. All pre-determined rate increases listed at the time the contract is awarded must also be paid, beginning on the dates specified. Rates that have expired will remain in effect until new rates are posted.

**Prevailing Wage Rate**

The prevailing wage rate for each craft will list the effective date of the rate and the following information:

**W** = Wage Rate per Hour                      **B** = Fringe Benefit Rate per Hour\*                      **T** = Total Rate per Hour

\* Fringe benefits are an integral part of the prevailing wage rate. Employers not providing such benefits must pay the fringe benefit amount directly to the employee each payday. Employers providing benefits worth less than the fringe benefit amount must pay the balance directly to the employee each payday.

Unless otherwise stated in the Prevailing Wage Rate Determination, the fringe benefit rate for overtime hours remains at the straight time rate.

When the Overtime Notes in the Prevailing Wage Rate Determination state that the overtime rates are "inclusive of benefits," the benefit rate is increased by the same factor as the wage rate (i.e. multiplied by 1.5 for time and one-half, multiplied by 2 for double time, etc.).

**Apprentice Rate Schedule**

An "apprentice" is an individual who is registered with the United States Department of Labor - Office of Apprenticeship and enrolled in a certified apprenticeship program during the period in which they are working on the public works project.

The apprentice wage rate is a percentage of the journeyman wage rate, unless otherwise indicated. The apprentice benefit rate is the full journeyman benefit rate, unless otherwise indicated.

If there is no apprentice rate schedule listed, the individual must be paid at least the journeyman rate even if that individual is in a certified apprentice program for that trade.

If there is no ratio of apprentices to journeymen listed for a particular craft, then the ratio shall be one (1) apprentice to every four (4) journeymen.

## **Comments/Notes**

For each craft listed there will be comments/notes that cover the definition of the regular workday, shift differentials, overtime, recognized holidays, and any other relevant information.

## **Public Works Contractor Registration**

The Public Works Contractor Registration Act (N.J.S.A. 34:11-56.48, et seq.) requires that **all** contractors, subcontractors, or lower tier subcontractors who are working on or who bid on public works projects register with the Department of Labor and Workforce Development. Applications are available at [www.nj.gov/labor](http://www.nj.gov/labor) (click on Wage & Hour and then go to Registration & Permits).

Pursuant to N.J.S.A. 34:11-56.51:

*No contractor shall bid on any contract for public work as defined in section 2 of P.L.1963, c. 150 (C.34:11-56.26) unless the contractor is registered pursuant to this act. No contractor shall list a subcontractor in a bid proposal for the contract unless the subcontractor is registered pursuant to P.L.1999, c.238 (C.34:11-56.48 et seq.) at the time the bid is made. No contractor or subcontractor, including a subcontractor not listed in the bid proposal, shall engage in the performance of any public work subject to the contract, unless the contractor or subcontractor is registered pursuant to that act.*

## **Snow Plowing**

Snow plowing contracts are not subject to the New Jersey Prevailing Wage Act or the Public Works Contractor Registration Act.

**NEW JERSEY DEPARTMENT OF LABOR AND WORKFORCE DEVELOPMENT  
PREVAILING WAGE RATE DETERMINATION**

County - UNION

**Craft: Air Conditioning & Refrigeration - Service and Repair**

**PREVAILING WAGE RATE**

	03/01/17
Journeyman (Mechanic)	W37.48 B22.91 T60.39

**Craft: Air Conditioning & Refrigeration - Service and Repair**

**APPRENTICE RATE SCHEDULE**

INTERVAL	PERIOD AND RATES									
	Mo. 1-3	Mo. 4-12	2nd Year	3rd Year	4th Year	5th Year		Wage = %	of Jnymn	Wage
As Shown										
Wage and Bene	50%	55%	60%	65%	75%	85%		Bene = %	of Jnymn	Bene

**Ratio of Apprentices to Journeymen - 1:4**

APPRENTICE RATE SCHEDULE FOR THOSE APPRENTICES ENTERING PROGRAM AFTER 3-1-13:

INTERVAL	PERIOD AND RATES							
As Shown	1st Year	2nd Year	3rd Year	4th Year	5th Year		Wage =% of Jnymn Wage	
Wage and Benefit	40%	50%	60%	70%	80%		Bene. =% of Jnymn Wage	

**Craft: Air Conditioning & Refrigeration - Service and Repair**

**COMMENTS/NOTES**

THESE RATES MAY BE USED FOR THE FOLLOWING:

- Service/Repair/Maintenance Work to EXISTING facilities.
- Replacement or Installation of air conditioning and refrigeration equipment when the combined tonnage does not exceed 15 tons for refrigeration, or 25 tons for air conditioning.
- Replacement or Installation of "packaged" or "unitary" rooftop-type units when the combined tonnage of the units does not exceed 75 tons.

NOTE: These rates may NOT be used for any work in new construction (including work on new additions).

The regular workday shall consist of 8 hours, starting between 6:00 AM and 10:00 AM, Monday through Friday.

SHIFT DIFFERENTIALS:

- The second and third shifts shall be paid an additional 15% of the hourly rate.
- All shifts must run for a minimum of 5 consecutive days.

OVERTIME:

Hours worked in excess of 8 per day or before or after the regular workday, that are not shift work, and all hours on Saturday shall be paid at time and one-half the hourly rate, inclusive of benefits. All hours on Sunday and holidays shall be paid at double the hourly rate, inclusive of benefits.

RECOGNIZED HOLIDAYS: New Year's Day, Presidents' Day, Memorial Day, July 4th, Labor Day, Veterans' Day, Thanksgiving Day, Christmas Day.

**NEW JERSEY DEPARTMENT OF LABOR AND WORKFORCE DEVELOPMENT  
PREVAILING WAGE RATE DETERMINATION**

**County - UNION**

**Craft: Boilermaker                      PREVAILING WAGE RATE**

	01/01/17
Foreman	W48.70 B41.32 T90.02
General Foreman	W50.70 B42.30 T93.00
Journeyman	W43.70 B39.72 T83.42

**Craft: Boilermaker                      APPRENTICE RATE SCHEDULE**

INTERVAL	PERIOD AND RATES									
	65%	70%	75%	80%	85%	90%	95%			
1000 Hours										
Benefit =	33.58	34.50	35.38	36.24	37.12	37.49	38.85			

**Ratio of Apprentices to Journeymen - \***

\* 1 apprentice will be allowed for the first 5 journeymen, 1 apprentice for the next 10 journeymen and 1 apprentice for each succeeding 20 journeymen up to a maximum of 5 apprentices per contractor on any one job.

**Craft: Boilermaker                      COMMENTS/NOTES**

HIGH WORK: All apprentices working on the erection, repair, or dismantling of smoke stacks, standpipes, or water towers shall be paid the Journeyman rate.

The regular workday shall consist of 8 hours, between 8:00 AM and 4:30 PM.

**SHIFT DIFFERENTIALS:**

- The second shift shall work 7½ hours and receive 8 hours pay, at a rate equal to the regular hourly rate plus 10%.
- The third shift shall work 7 hours and receive 8 hours pay, at a rate equal to the regular hourly rate plus 20%.
- For "Municipal Water Works" projects only, the following shall apply: Two, four day, 10 hour shifts may be worked at straight time Monday through Thursday. The day shift shall work four days, at 10 hours, for 10 hours pay. The second shift shall work four days, at nine and a half hours, for 10 hours pay, plus 10% the hourly rate for new work and .25 cents on repair work. Friday may be used as a make-up day at straight time, due to weather conditions, holiday or any other circumstances beyond the employer's control.

**OVERTIME:**

- Hours in excess of 8 per day, Monday through Friday, and all hours on Saturdays shall be paid at time and one-half the hourly rate. All hours on Sundays and holidays (except Labor Day) shall be paid at double the hourly rate. All hours on Labor Day shall be paid at four times the hourly rate.
- If any other craft employed by the same contractor, or a subcontractor thereof, receives double time in lieu of time and one-half, then the Boilermaker shall receive double time in lieu of time and one-half.
- For "Municipal Water Works" projects only, the following shall apply: Four 10 hour days may be worked Monday through Thursday at straight time. Friday may be used as a make-up day for a day lost to inclement weather, holiday or other conditions beyond the control of the employer. Overtime shall be paid for any hours that exceed 10 hours per day or 40 hours per week.

**NEW JERSEY DEPARTMENT OF LABOR AND WORKFORCE DEVELOPMENT  
PREVAILING WAGE RATE DETERMINATION**

**County - UNION**

RECOGNIZED HOLIDAYS: New Year's Day, Washington's Birthday, Memorial Day, July 4th, Labor Day, Presidential Election Day, Veterans' Day, Thanksgiving Day, Christmas Day. Sunday holidays observed the following Monday.

**NEW JERSEY DEPARTMENT OF LABOR AND WORKFORCE DEVELOPMENT  
PREVAILING WAGE RATE DETERMINATION**

**County - UNION**

**Craft: Boilermaker - Minor Repairs**

**PREVAILING WAGE RATE**

	01/01/17
Foreman	W32.54 B16.17 T48.71
General Foreman	W33.04 B16.17 T49.21
Mechanic	W31.04 B16.17 T47.21

**Craft: Boilermaker - Minor Repairs**

**COMMENTS/NOTES**

NOTE: These rates apply to MINOR REPAIR WORK ONLY (repair work in the field for which the contract amount does not exceed \$125,000.00).

**OVERTIME:**

Hours in excess of 8 per day, Monday through Friday, and all hours on Saturdays shall be paid at time and one-half the hourly rate. All hours on Sundays and holidays (except Labor Day) shall be paid at double the hourly rate. All hours on Labor Day shall be paid at four times the hourly rate.

RECOGNIZED HOLIDAYS: New Year's Day, Washington's Birthday, Good Friday, Memorial Day, July 4th, Labor Day, Presidential Election Day, Thanksgiving Day, day after Thanksgiving, Christmas Day. Saturday holidays observed the preceding Friday, Sunday holidays observed the following Monday.

**NEW JERSEY DEPARTMENT OF LABOR AND WORKFORCE DEVELOPMENT  
PREVAILING WAGE RATE DETERMINATION**

**County - UNION**

**Craft: Bricklayer, Stone Mason**

**PREVAILING WAGE RATE**

	11/01/16	05/01/17	05/01/18
Deputy Foreman	W43.00 B30.91 T73.91	W0.00 B0.00 T76.04	W0.00 B0.00 T78.23
Foreman	W46.00 B30.91 T76.91	W0.00 B0.00 T79.04	W0.00 B0.00 T81.23
Journeyman	W40.00 B30.91 T70.91	W0.00 B0.00 T73.04	W0.00 B0.00 T75.23

**Craft: Bricklayer, Stone Mason**

**APPRENTICE RATE SCHEDULE**

INTERVAL	PERIOD AND RATES									
	40%	50%	55%	60%	65%	70%	75%	80%		
6 Months										
Benefits	3.72	4.65	5.12	5.58	20.48	21.83	23.18	24.52		

**Ratio of Apprentices to Journeymen - 1:5**

**Craft: Bricklayer, Stone Mason**

**COMMENTS/NOTES**

The regular workday shall consist of 8 hours, between 6:00 AM and 4:30 PM.

**SHIFT DIFFERENTIALS:**

- When a 2 shift schedule (including a day shift) is established, the first, or day shift, shall be established on an 8 hour basis. The second shift shall be established on an 8 hour basis, and receive the regular rate plus 10%, inclusive of benefits.
- When a three shift schedule is established, the first shift shall be established on an 8 hour basis, the second shift on a 7.5 hour basis, and the third shift on a 7 hour basis. The first shift shall receive the regular hourly rate, the second shift shall receive the regular rate plus 10%, inclusive of benefits, and the third shift shall receive the regular rate plus 15%, inclusive of benefits.
- When there is no day shift, and a second or third shift is established, it shall be established on an 8 hour basis. The second shift shall receive the regular rate plus 10%, inclusive of benefits, and the third shift shall receive the regular rate plus 15%, inclusive of benefits.
- When an irregular shift must be established, this shift shall receive the regular rate plus 10%, inclusive of benefits.

**OVERTIME:**

- The first 2 hours in excess of 8 per day, or before or after the regular workday that are not shift work, Monday through Friday, shall be paid at time and one-half the regular rate, inclusive of benefits. Any additional overtime shall be paid at double the regular rate, inclusive of benefits. The first 10 hours on Saturday shall be paid at time and one-half the regular rate, inclusive of benefits. Any additional overtime shall be paid at double the regular rate, inclusive of benefits. All hours on Sundays and holidays shall be paid at double the regular rate, inclusive of benefits.
- Saturday may be used as a make-up day for hours lost to inclement weather.
- When Bricklayers/Stone Masons work on Saturday with Laborers, and no other crafts are working on the project for the day, benefits may be paid at straight time. If other crafts are present, the applicable overtime rate for benefits shall be paid.



**NEW JERSEY DEPARTMENT OF LABOR AND WORKFORCE DEVELOPMENT  
PREVAILING WAGE RATE DETERMINATION**

**County - UNION**

RECOGNIZED HOLIDAYS: New Year's Day, Presidents' Day, Memorial Day, July 4th, Labor Day, Presidential Election Day, Veterans' Day, Thanksgiving Day, Christmas Day. Sunday holidays will be observed the following Monday.

**NEW JERSEY DEPARTMENT OF LABOR AND WORKFORCE DEVELOPMENT  
PREVAILING WAGE RATE DETERMINATION**

County - UNION

**Craft: Carpenter                      PREVAILING WAGE RATE**

	11/01/16	05/01/17	11/01/17	05/01/18	11/01/18
Foreman	W53.42	W0.00	W0.00	W0.00	W0.00
	B30.44	B0.00	B0.00	B0.00	B0.00
	T83.86	T85.04	T86.04	T87.29	T88.54
Journeyman	W46.45	W0.00	W0.00	W0.00	W0.00
	B26.48	B0.00	B0.00	B0.00	B0.00
	T72.93	T74.23	T75.23	T76.48	T77.73

**Craft: Carpenter                      APPRENTICE RATE SCHEDULE**

INTERVAL	PERIOD AND RATES									
	Yearly	40%	55%	65%	80%	90%				
Benefit	57% of	Appren	tice	Wage	for all	intervals				

**Ratio of Apprentices to Journeymen - 1:3**

**Craft: Carpenter                      COMMENTS/NOTES**

**FOREMAN REQUIREMENTS:**

- When there are 2 or more Carpenters on a job, 1 shall be designated as a Foreman.
- When there are 21 or more Carpenters on a job, 2 shall be designated as Foremen.

The regular workday shall consist of 8 hours, starting between 7:00 AM and 9:00 AM.

**SHIFT DIFFERENTIALS:**

- When a 2 shift schedule (including a day shift) is established, the day shift shall be established on an 8 hour basis. The second shift shall be established on an 8 hour basis, and receive the regular rate plus 15%, inclusive of benefits.
- When a three shift schedule is established, the first shift shall be established on an 8 hour basis, the second shift on a 7.5 hour basis, and the third shift on a 7 hour basis. The first shift shall receive the regular hourly rate, the second shift shall receive the regular rate plus 15% and the third shift shall receive the regular rate plus 20%, inclusive of benefits.
- When there is no day shift, and a second or third shift is established, it shall be established on an 8 hour basis. The second shift shall receive the regular rate plus 15% and the third shift shall receive the regular rate plus 20%, inclusive of benefits.

**OVERTIME:**

- All hours in excess of 8 per day, or before or after an established shift that are not shift work, and all hours on Saturdays shall be paid at time and one-half the hourly rate, inclusive of benefits. All hours on Sundays and holidays shall be paid at double the hourly rate, inclusive of benefits.
- Four 10-hour days may be worked, Monday to Thursday, at straight time. Friday may be used as a make-up day for a day lost due to inclement weather. If Friday is not a make-up day, all hours on Friday shall be paid at time and one-half the hourly rate, inclusive of benefits.

**RECOGNIZED HOLIDAYS:** New Year's Day, Presidents' Day, Memorial Day, July 4th, Labor Day, Presidential Election Day, Veterans' Day, Thanksgiving Day, Christmas Day. Sunday holidays observed the following Monday.

**NEW JERSEY DEPARTMENT OF LABOR AND WORKFORCE DEVELOPMENT  
PREVAILING WAGE RATE DETERMINATION**

County - UNION

**Craft: Carpenter - Resilient Flooring**

**PREVAILING WAGE RATE**

	11/01/16	05/01/17	11/01/17	05/01/18	11/01/18
Foreman	W53.42	W0.00	W0.00	W0.00	W0.00
	B30.44	B0.00	B0.00	B0.00	B0.00
	T83.86	T85.04	T86.04	T87.29	T88.54
Journeyman	W46.45	W0.00	W0.00	W0.00	W0.00
	B26.48	B0.00	B0.00	B0.00	B0.00
	T72.93	T74.23	T75.23	T76.48	T77.73

**Craft: Carpenter - Resilient Flooring**

**APPRENTICE RATE SCHEDULE**

INTERVAL	PERIOD AND RATES									
	Yearly	40%	55%	65%	80%	90%				
Benefit	57%	of	Appren	tice	Wage	for all	intervals			

**Ratio of Apprentices to Journeymen - \***

\* 1 apprentice shall be allowed to every 2 journeymen or major fraction thereof. No more than 3 apprentices on any one job or project.

**Craft: Carpenter - Resilient Flooring**

**COMMENTS/NOTES**

**FOREMAN REQUIREMENTS:**

- On any job where there are 4 or more Carpenters of Resilient Flooring, 1 must be designated a Foreman.

**FOR SYNTHETIC TURF INSTALLATION ONLY:**

- The rate shall be 90% of the wage and benefit rate.

The regular workday consists of 8 hours, starting between 6:00 AM and 9:00 AM.

**SHIFT DIFFERENTIALS:**

- When a 2 shift schedule (including a day shift) is established, the day shift, shall be established on an 8 hour basis. The second shift shall be established on an 8 hour basis, and receive the regular wage rate plus 15%.
- When a three shift schedule is established, the first shift shall be established on an 8 hour basis, the second shift on a 7.5 hour basis, and the third shift on a 7 hour basis. The first shift shall receive the regular wage rate, the second shift shall receive the regular wage rate plus 15% and the third shift shall receive the regular wage rate plus 20%.
- When there is no day shift, and a second or third shift is established, it shall be established on an 8 hour basis. The second shift shall receive the regular wage rate plus 15% and the third shift shall receive the regular wage rate plus 20%.

**OVERTIME:**

- Hours in excess of 8 per day or 40 per week, or before or after the regular workday, Monday through Friday, shall be paid at time and one-half the wage rate. Saturday may be used as a make-up day, at straight time, up to 8 hours, for hours lost to reasons beyond the control of the employer, up to a total of 40 hours per week; hours in excess of 8 on Saturday shall then be paid at time and one-half the wage rate. If Saturday is not a make-up day, all hours on Saturday shall be paid at time and one-half the wage rate. All hours on Sundays and holidays shall be paid at double the wage rate.
- Four 10-hour days may be worked, Monday to Thursday, at straight time. Friday may be used as a make-up day for hours lost to reasons beyond the control of the employer. If Friday is not a make-up day, all hours on Friday shall be paid at time and one-half the wage rate.

**NEW JERSEY DEPARTMENT OF LABOR AND WORKFORCE DEVELOPMENT  
PREVAILING WAGE RATE DETERMINATION**

**County - UNION**

RECOGNIZED HOLIDAYS: New Year's Day, Presidents' Day, Memorial Day, July 4th, Labor Day, Presidential Election Day, Veterans' Day, Thanksgiving Day, Christmas Day. Sunday holidays will be observed the following Monday.

**NEW JERSEY DEPARTMENT OF LABOR AND WORKFORCE DEVELOPMENT  
PREVAILING WAGE RATE DETERMINATION**

**County - UNION**

**Craft: Cement Mason**

**PREVAILING WAGE RATE**

See "Bricklayer, Stone Mason" Rates

**Craft: Cement Mason**

**APPRENTICE RATE SCHEDULE**

INTERVAL	PERIOD AND RATES									

**Ratio of Apprentices to Journeymen - 1:4**

**Craft: Cement Mason**

**COMMENTS/NOTES**

\*\*\*See "Bricklayer, Stone Mason" Rates\*\*\*



**NEW JERSEY DEPARTMENT OF LABOR AND WORKFORCE DEVELOPMENT  
PREVAILING WAGE RATE DETERMINATION**

**County - UNION**

**Craft: Dockbuilder                      PREVAILING WAGE RATE**

	11/29/16	05/01/17	11/01/17	05/01/18	11/01/18
Foreman	W51.29 B44.37 T95.66	W0.00 B0.00 T96.79	W0.00 B0.00 T97.99	W0.00 B0.00 T99.24	W0.00 B0.00 T100.49
Foreman (Concrete Form Work)	W50.14 B31.56 T81.70	W0.00 B0.00 T82.90	W0.00 B0.00 T84.10	W0.00 B0.00 T85.35	W0.00 B0.00 T86.60
Journeyman	W44.60 B44.37 T88.97	W0.00 B0.00 T90.17	W0.00 B0.00 T91.37	W0.00 B0.00 T92.62	W0.00 B0.00 T93.87
Journeyman (Concrete Form Work)	W43.60 B31.56 T75.16	W0.00 B0.00 T76.36	W0.00 B0.00 T77.56	W0.00 B0.00 T78.81	W0.00 B0.00 T80.06

**Craft: Dockbuilder                      APPRENTICE RATE SCHEDULE**

<u>INTERVAL</u>	<u>PERIOD AND RATES</u>									
Yearly	17.84	22.30	28.99	35.68						
Benefit	29.95	for all	intervals		Concrete	Form Work	Only Ben.	= 21.81	for all	intervals

**Ratio of Apprentices to Journeymen - \***

\* When there are 4 or fewer Dockbuilders on a job, no more than 1 may be an apprentice. When there are 5 or more Dockbuilders, there may be 1 apprentice for every 5 Dockbuilders.

**Craft: Dockbuilder                      COMMENTS/NOTES**

**CREOSOTE HANDLING:**

When handling creosote products on land piledriving, floating marine construction, and construction of wharves, the worker shall receive an additional \$0.25 per hour.

**HAZARDOUS WASTE WORK:**

- Hazardous waste removal work on a state or federally designated hazardous waste site where Level A, B, or C personal protection is required: an additional 20% of the hourly rate, per hour.
- Hazardous waste removal work in Level D, or where personal protection is not required: an additional \$1.00 per hour.

**CERTIFIED WELDER:** When required on the job by the project owner, a Certified Welder shall receive an additional \$1.00 per hour.

**FOREMAN REQUIREMENTS:**

The first Dockbuilder on the job shall be designated a Foreman.

**OVERTIME:**

Hours in excess of 8 per day, Monday through Friday, and all hours on Saturdays shall be paid at time and one-half the hourly rate. All hours on Sundays and holidays shall be paid at double the hourly rate.

**NEW JERSEY DEPARTMENT OF LABOR AND WORKFORCE DEVELOPMENT  
PREVAILING WAGE RATE DETERMINATION**

**County - UNION**

RECOGNIZED HOLIDAYS: New Year's Day, Presidents' Day, Memorial Day, July 4th, Labor Day, Veterans' Day, Presidential Election Day, Thanksgiving Day, Christmas Day. Veterans' Day may be switched with the day after Thanksgiving.



**NEW JERSEY DEPARTMENT OF LABOR AND WORKFORCE DEVELOPMENT  
PREVAILING WAGE RATE DETERMINATION**

**County - UNION**

**Craft: Drywall Finisher**

**PREVAILING WAGE RATE**

	05/01/16	05/01/17
Foreman	W42.55 B23.10 T65.65	W44.30 B22.60 T66.90
General Foreman	W44.45 B23.10 T67.55	W46.20 B22.60 T68.80
Journeyman	W38.75 B23.10 T61.85	W40.50 B22.60 T63.10

**Craft: Drywall Finisher**

**APPRENTICE RATE SCHEDULE**

INTERVAL	PERIOD AND RATES									
	30%	40%	50%	60%	70%	75%	80%	85%	90%	
4 Months										
Benefits	Intervals	1 to 3 =	9.85	Intervals	4 to 6 =	12.28	Intervals	7 to 9 =	14.95	

**Ratio of Apprentices to Journeymen - 1:4**

**Craft: Drywall Finisher**

**COMMENTS/NOTES**

The regular workday shall consist of 8 hours between 7:00 AM and 5:30 PM.

**SHIFT DIFFERENTIALS:**

- The second shift shall receive an additional 10% of the hourly rate, per hour, and the third shift shall receive an additional 15% of the hourly rate, per hour.
- When 3 shifts are worked, the second shift shall receive 8 hours pay for 7.5 hours of work, and the third shift shall receive 8 hours pay for 7 hours of work.
- Shift work must run for a minimum of 5 consecutive workdays.

**OVERTIME:**

- Hours in excess of 8 per day, Monday through Friday, and all hours on Saturdays shall be paid at time and one-half the regular rate, inclusive of benefits. All hours on Sundays and holidays shall be paid at double the regular rate, inclusive of benefits.
- Saturday or Sunday may be used to make up a day lost to inclement weather, at straight time.

**RECOGNIZED HOLIDAYS:** New Year's Day, Memorial Day, July 4th, Labor Day, Presidential Election Day, Veterans' Day, Thanksgiving Day, Christmas Day. Saturday holiday observed the preceding Friday. Sunday holiday observed the following Monday.

**NEW JERSEY DEPARTMENT OF LABOR AND WORKFORCE DEVELOPMENT  
PREVAILING WAGE RATE DETERMINATION**

**County - UNION**

**Craft: Electrician**

**PREVAILING WAGE RATE**

	05/30/16	05/29/17	05/28/18
Cable Splicer	W58.71 B33.74 T92.45	W60.08 B34.53 T94.61	W61.52 B35.35 T96.87
Foreman	W59.77 B34.34 T94.11	W61.17 B35.15 T96.32	W62.64 B35.98 T98.62
Journeyman	W53.37 B30.67 T84.04	W54.62 B31.39 T86.01	W55.93 B32.13 T88.06

**Craft: Electrician**

**APPRENTICE RATE SCHEDULE**

INTERVAL	PERIOD AND RATES									
	Yearly	40%	49%	58%	68%	80%		of Jour	neyman	Wage
Benefit	40%	49%	58%	68%	80%		of Jour	neyman	Benefit	Rate

**Ratio of Apprentices to Journeymen - 2:3**

**Craft: Electrician**

**COMMENTS/NOTES**

THESE RATES ALSO APPLY TO THE FOLLOWING:

- All burglar and fire alarm work.
- All fiber optic work.
- Teledata work in new construction.
- Teledata work involving 16 Voice/Data Lines or more.

The regular workday shall be 8 hours, between 8:00 AM and 4:30 PM.

**FOREMAN REQUIREMENTS:**

- On any job where there are 1 to 10 Journeymen electricians, 1 shall be designated a Foreman.

**SHIFT DIFFERENTIALS:**

- Shift work must run for a minimum of 5 consecutive workdays.
- 2nd Shift (4:30 PM to 12:30 AM) shall receive 8 hours pay for 7.5 hours work + an additional 10% of the regular rate, per hour, inclusive of benefits.
- 3rd Shift (12:30 AM to 8:00 AM) shall receive 8 hours pay for 7 hours work + an additional 15% of the regular rate, per hour, inclusive of benefits.

**OVERTIME:**

Hours in excess of 8 per day, or outside of the regular workday, Monday through Friday, and all hours on Saturdays, shall be paid at time and one-half the regular rate, inclusive of benefits. All hours on Sundays and holidays shall be paid at double the regular rate, inclusive of benefits.

**NEW JERSEY DEPARTMENT OF LABOR AND WORKFORCE DEVELOPMENT  
PREVAILING WAGE RATE DETERMINATION**

**County - UNION**

RECOGNIZED HOLIDAYS: New Year's Day, Presidents' Day, Memorial Day, July 4th, Labor Day, Presidential Election Day, Veterans' Day, Thanksgiving Day, Christmas Day.

**NEW JERSEY DEPARTMENT OF LABOR AND WORKFORCE DEVELOPMENT  
PREVAILING WAGE RATE DETERMINATION**

County - UNION

**Craft: Electrician - Teledata (15 Voice/Data Lines & Less)**

**PREVAILING WAGE RATE**

	11/01/16
Master Technician/General Foreman	W52.18 B28.69 T80.87
Senior Technician/Lead Foreman (21-30 Workers on Job)	W47.77 B26.26 T74.03
Technician A/Foreman (11-20 Workers on Job)	W45.76 B25.16 T70.92
Technician B/Working Foreman (4-10 Workers on Job)	W43.75 B24.06 T67.81
Technician C/Journeyman (1-3 Workers on Job)	W40.14 B22.07 T62.21

**Craft: Electrician - Teledata (15 Voice/Data Lines & Less)**

**APPRENTICE RATE SCHEDULE**

<u>INTERVAL</u>	<u>PERIOD AND RATES</u>									
6 Months	20.14	21.48	23.72	26.41	29.54	32.23	35.36	38.49		
Benefits	7.85	8.38	9.25	10.29	11.52	12.56	13.79	15.01		

**Ratio of Apprentices to Journeymen - 2:3**

**Craft: Electrician - Teledata (15 Voice/Data Lines & Less)**

**COMMENTS/NOTES**

APPRENTICE RATE SCHEDULE FOR THOSE APPRENTICES ENTERING PROGRAM AFTER 10-31-14:

INTERVAL	PERIOD AND RATES									
6 Months	17.90	19.25	21.48	24.17	27.30	29.99	33.12	36.26		
Benefits	6.98	7.51	8.38	9.42	10.65	11.69	12.92	14.13		

NOTES:

- These rates are for service, maintenance, moves, and/or changes affecting 15 Voice/Data (teledata) lines or less. These rates may NOT be used for any teledata work in new construction (including additions) or any fiber optic work.
- The number of Teledata workers on the jobsite is the determining factor for which Foreman category applies .

The regular workday shall be 8 hours, between 8:00 AM and 4:30 PM.

SHIFT DIFFERENTIALS:

- Shift work must run for a minimum of 5 consecutive workdays.

**NEW JERSEY DEPARTMENT OF LABOR AND WORKFORCE DEVELOPMENT  
PREVAILING WAGE RATE DETERMINATION**

**County - UNION**

- 2nd Shift (4:30 PM to 12:30 AM) shall receive 8 hours pay for 7.5 hours work + an additional 10% of the regular rate, per hour, inclusive of benefits.
- 3rd Shift (12:30 AM to 8:00 AM) shall receive 8 hours pay for 7 hours work + an additional 15% of the regular rate, per hour, inclusive of benefits.

**OVERTIME:**

Hours in excess of 8 per day, or outside of the regular workday, Monday through Friday, and all hours on Saturdays, shall be paid at time and one-half the regular rate, inclusive of benefits. All hours on Sundays and holidays shall be paid at double the regular rate, inclusive of benefits.

**RECOGNIZED HOLIDAYS:** New Year's Day, Presidents' Day, Memorial Day, July 4th, Labor Day, Presidential Election Day, Veterans' Day, Thanksgiving Day, Christmas Day.

**NEW JERSEY DEPARTMENT OF LABOR AND WORKFORCE DEVELOPMENT  
PREVAILING WAGE RATE DETERMINATION**

**County - UNION**

**Craft: Electrician - Teledata (16 Instruments & More)**

**PREVAILING WAGE RATE**

See "Electrician" Rates

**Craft: Electrician - Teledata (16 Instruments & More)**

**COMMENTS/NOTES**

\*\*\*See ELECTRICIAN Rates\*\*\*

**NEW JERSEY DEPARTMENT OF LABOR AND WORKFORCE DEVELOPMENT  
PREVAILING WAGE RATE DETERMINATION**

County - UNION

Craft: Electrician- Outside Commercial

**PREVAILING WAGE RATE**

	05/30/16	05/29/17	05/28/18
Cable Splicer	W58.99 B33.46 T92.45	W60.37 B34.24 T94.61	W61.82 B35.06 T96.88
Certified Welder	W56.31 B31.94 T88.25	W57.62 B32.68 T90.30	W59.01 B33.47 T92.48
Equipment Operator	W53.63 B30.42 T84.05	W54.88 B31.13 T86.01	W56.20 B31.88 T88.08
Foreman (1-10 Journeyman workers on job)	W60.07 B34.07 T94.14	W61.47 B34.86 T96.33	W62.94 B35.70 T98.64
Foreman (11-20 Journeyman workers on job)	W61.67 B34.98 T96.65	W63.11 B35.79 T98.90	W64.63 B36.66 T101.29
General Foreman (21-30 Journeyman workers on job)	W63.28 B35.89 T99.17	W64.76 B36.73 T101.49	W66.32 B37.61 T103.93
General Foreman (31-60 Journeyman workers on job)	W68.65 B38.94 T107.59	W70.25 B39.84 T110.09	W71.94 B40.80 T112.74
General Foreman (61+ Journeyman workers on job)	W69.72 B39.54 T109.26	W71.34 B40.46 T111.80	W73.06 B41.44 T114.50
Groundman	W32.18 B18.26 T50.44	W32.93 B18.68 T51.61	W33.72 B19.13 T52.85
Journeyman Lineman/Technician	W53.63 B30.42 T84.05	W54.88 B31.13 T86.01	W56.20 B31.88 T88.08
Sub-Foreman	W60.07 B34.07 T94.14	W61.47 B34.86 T96.33	W62.94 B35.70 T98.64

**NEW JERSEY DEPARTMENT OF LABOR AND WORKFORCE DEVELOPMENT  
PREVAILING WAGE RATE DETERMINATION**

**County - UNION**

**Craft: Electrician- Outside Commercial**

**APPRENTICE RATE SCHEDULE**

<b>INTERVAL</b>	<b>PERIOD AND RATES</b>									
1000 Hours	60%	65%	70%	75%	80%	85%	90%			
Benefits	56.4% of	Journey	man	wage	+.01					

**Craft: Electrician- Outside Commercial**

**COMMENTS/NOTES**

EFFECTIVE 5-30-16- The apprentice benefit rate shall be 56.7% + \$.01.  
 EFFECTIVE 5-29-17- The apprentice benefit rate shall be 56.7% + \$.01.  
 EFFECTIVE 5-28-18- The apprentice benefit rate shall be 56.7% + \$.01.

\* FOR UTILITY WORK PLEASE SEE STATEWIDE RATES

The regular worday shall be 8 hours, between 8:00 AM and 4:30 PM.

**FOREMAN REQUIREMENTS:**

On jobs where there are 2 Journeymen, one shall be a Foreman. The following number of Foreman, General Foreman, Assistant General Foreman and Sub-Foreman shall be required with respect to number of Journeymen on site:

- 2-10 Journeymen ( 1 Foreman)
- 11-20 Journeymen (1 Foreman and 1 Sub-Foreman)
- 21-30 Journeymen (1 Foreman and 2 Sub-Foremen)

**SHIFT DIFFERENTIALS:**

- Shift work must run for a minimum of 5 consecutive workdays.
- 2nd Shift (4:30 PM to 12:30 AM): 8 hrs. pay for 7.5 hrs. work + an additional 10% of the regular rate, inclusive of benefits.
- 3rd Shift (12:30 AM to 8:00 AM): 8 hrs. pay for 7 hrs. work + an additional 15% of the regular rate per hour, inclusive benefits.

**OVERTIME:**

Hours in excess of 8 per day, or outside of the regular workday, Monday through Friday, and all hours on Saturdays, shall be paid at time and one-half the regular rate, inclusive of benefits. All hours on Sundays and holidays shall be paid at double the regular rate, inclusive of benefits.

**RECOGNIZED HOLIDAYS:**

New Year's Day, Presidents' Day, Memorial Day, July 4th, Labor Day, Presidential Election Day, Veterans' Day, Thanksgiving Day and Christmas Day.



**NEW JERSEY DEPARTMENT OF LABOR AND WORKFORCE DEVELOPMENT  
PREVAILING WAGE RATE DETERMINATION**

**County - UNION**

**Craft: Electrician-Utility Work (North)**

**PREVAILING WAGE RATE**

Rates are located in the "Statewide" rate package

**Craft: Electrician-Utility Work (North)**

**APPRENTICE RATE SCHEDULE**

INTERVAL	PERIOD AND RATES									
6 Months	60%	65%	70%	75%	80%	85%	90%			
Benefits	62.5% of	Appren	tice	Wage	Rate	for all	intervals			

**Craft: Electrician-Utility Work (North)**

**COMMENTS/NOTES**

Electrician-Utility Work (North) rates are located in the "Statewide" rate package.

**NEW JERSEY DEPARTMENT OF LABOR AND WORKFORCE DEVELOPMENT  
PREVAILING WAGE RATE DETERMINATION**

**County - UNION**

**Craft: Electrician-Utility Work (South)**

**PREVAILING WAGE RATE**

Rates are located in the "Statewide" rate package

**Craft: Electrician-Utility Work (South)**

**APPRENTICE RATE SCHEDULE**

INTERVAL	PERIOD AND RATES									
6 Months	27.37	29.65	31.93	34.21	36.49	38.77	41.05			
Benefits	24.01	25.34	26.73	28.09	29.43	30.80	32.18			

**Craft: Electrician-Utility Work (South)**

**COMMENTS/NOTES**

Electrician-Utility Work (South) rates are located in the "Statewide" rate package.

**NEW JERSEY DEPARTMENT OF LABOR AND WORKFORCE DEVELOPMENT  
PREVAILING WAGE RATE DETERMINATION**

**County - UNION**

**Craft: Elevator Constructor                      PREVAILING WAGE RATE**

	03/17/17	03/17/18
Journeyman	W62.64 B41.56 T104.20	W64.48 B43.36 T107.84

**Craft: Elevator Constructor                      APPRENTICE RATE SCHEDULE**

INTERVAL	PERIOD AND RATES									
	Yearly	27.22	33.53	39.62	45.72					
Benefits	31.75	32.88	34.41	35.93						

**Ratio of Apprentices to Journeymen - 1:1**

**Craft: Elevator Constructor                      COMMENTS/NOTES**

The regular workday shall consist of either 7 or 8 hours to be established at the beginning of the project, between 7:00 AM and 4:30 PM.

**OVERTIME:**

For all hours worked before or after the regular workday, Monday through Friday, and all hours on Saturday and Sunday, shall be paid at double the hourly rate. Holiday pay is one days wages (8 hours) plus double the hourly rate for all hours worked.

**RECOGNIZED HOLIDAYS:** New Year's Day, Presidents' Day, Good Friday, Memorial Day, July 4th, Labor Day, Columbus Day, Veterans' Day, Thanksgiving Day and the day after, Christmas Day. Saturday holidays shall be observed on the previous Friday and Sunday holidays shall be observed on the following Monday.

**NEW JERSEY DEPARTMENT OF LABOR AND WORKFORCE DEVELOPMENT  
PREVAILING WAGE RATE DETERMINATION**

**County - UNION**

**Craft: Elevator Modernization & Service**

**PREVAILING WAGE RATE**

	03/17/17	03/17/18
Journeyman	W49.14	W50.49
	B39.91	B41.66
	T89.05	T92.15

**Craft: Elevator Modernization & Service**

**APPRENTICE RATE SCHEDULE**

INTERVAL	PERIOD AND RATES									
Yearly	27.22	26.35	31.14	35.93						
Benefits	31.68	31.99	33.37	34.74						

**Ratio of Apprentices to Journeymen - 1:1**

**Craft: Elevator Modernization & Service**

**COMMENTS/NOTES**

MODERNIZATION (addition, replacement, refurbishing, relocation, or changes in design or appearance, of elevator equipment in existing buildings):

- The regular workday consists of 8 hours, between 7:00 AM and 4:30 PM.

- Overtime:

Hours in excess of 8 per day, or before or after the regular workday, Monday through Friday, and all hours on Saturday and Sunday shall be paid at time and one-half the hourly rate. Holiday pay is one days wages (8 hours) plus time and one-half the hourly rate for all hours worked.

SERVICE (repair or replacement of parts for the purpose of maintaining elevator equipment in good operating condition):

- The regular workday consists of 8 hours, between 6:00 AM and 6:00 PM.

- Overtime:

Hours in excess of 8 per day, or before or after the regular workday, Monday through Friday, and all hours on Saturday shall be paid at time and one-half the hourly rate. All hours on Sunday and holidays shall be paid at double the hourly rate.

RECOGNIZED HOLIDAYS (Modernization and Service): New Year's Day, Presidents' Day, Good Friday, Memorial Day, July 4th, Labor Day, Columbus Day, Veterans' Day, Thanksgiving Day and the day after, Christmas Day. Saturday holidays shall be observed on the previous Friday and Sunday holidays shall be observed on the following Monday.

**NEW JERSEY DEPARTMENT OF LABOR AND WORKFORCE DEVELOPMENT  
PREVAILING WAGE RATE DETERMINATION**

**County - UNION**

**Craft: Glazier                      PREVAILING WAGE RATE**

	06/20/16
Foreman	W47.39 B23.26 T70.65
General Foreman	W49.39 B23.50 T72.89
Journeyman	W43.39 B22.78 T66.17

**Craft: Glazier                      APPRENTICE RATE SCHEDULE**

INTERVAL	PERIOD AND RATES									
	30%	40%	50%	60%	70%	75%	80%	85%	90%	
4 Months										
Benefits	Intervals	1 to 3 =	6.51	Intervals	4 to 6 =	9.33	Intervals	7 to 9 =	11.67	

**Ratio of Apprentices to Journeymen - 1:4**

**Craft: Glazier                      COMMENTS/NOTES**

APPRENTICE RATE SCHEDULE FOR THOSE APPRENTICES ENTERING PROGRAM AS OF 5-1-14:

INTERVAL	PERIOD AND RATES							
6 Months	50%	55%	60%	65%	70%	75%	80%	90%
Benefits	8.10	8.10	10.34	10.34	11.51	11.51	14.62	14.62

Hazard/Height Pay: +\$1.00 per hour

**FOREMAN REQUIREMENTS:**

- When there are 4 or more Glaziers on a job, 1 must be designated a Foreman.
- When there are 15 or more Glaziers on a job, 1 must be designated a General Foreman.

The regular workday shall consist of 8 hours, between 7:00 AM and 5:30 PM, Monday to Friday.

**SHIFT DIFFERENTIALS:**

- The second shift shall receive an additional 10% of the hourly rate, per hour, and the third shift shall receive an additional 15% of the hourly rate, per hour.
- When 3 shifts are worked, the second shift shall receive 8 hours pay for 7.5 hours of work, and the third shift shall receive 8 hours pay for 7 hours of work.

**OVERTIME:**

Hours in excess of 8 per day, or before or after the regular workday Monday through Friday, and all hours on Saturdays shall be paid at time and one-half the regular rate. All hours on Sundays and holidays shall be paid at double the regular rate.

**NEW JERSEY DEPARTMENT OF LABOR AND WORKFORCE DEVELOPMENT  
PREVAILING WAGE RATE DETERMINATION**

**County - UNION**

RECOGNIZED HOLIDAYS: New Year's Day, Memorial Day, July 4th, Labor Day, General Election Day, Veterans' Day, Thanksgiving Day, Christmas Day. Saturday holiday observed the preceding Friday. Sunday holiday observed the following Monday.

**NEW JERSEY DEPARTMENT OF LABOR AND WORKFORCE DEVELOPMENT  
PREVAILING WAGE RATE DETERMINATION**

**County - UNION**

**Craft: Heat & Frost Insulator**

**PREVAILING WAGE RATE**

	10/17/16
Foreman	W52.52 B30.17 T82.69
General Foreman	W55.07 B31.28 T86.35
Journeyman	W51.24 B29.61 T80.85

**Craft: Heat & Frost Insulator**

**APPRENTICE RATE SCHEDULE**

INTERVAL	PERIOD AND RATES									
Yearly	23.77	28.19	34.05	39.96						
Benefits	17.83	21.08	23.21	25.16						

**Ratio of Apprentices to Journeymen - 1:3**

**Craft: Heat & Frost Insulator**

**COMMENTS/NOTES**

NOTE: These rates apply to the installing of insulation on hot and cold mechanical systems.

The regular workday shall be 8 hours between 8:00 AM and 4:30 PM.

**SHIFT DIFFERENTIAL:**

- Shift work must run for a minimum of 5 consecutive workdays.
- Second Shift shall work 7.5 hours and receive 8 hours pay, at the regular rate, plus 25% per hour.
- Third Shift shall work 7 hours and receive 8 hours pay, at the regular rate, plus 30% per hour.

**OVERTIME:**

The first 2 hours in excess of 8 per day, hours outside of the regular workday Monday through Friday that are not shift work, and the first 10 hours on Saturday, shall be paid at time and one-half the regular rate, inclusive of benefits. All hours in excess of 10 per day, and all hours on Sunday and holidays (except Labor Day) shall be paid at double the regular rate, inclusive of benefits. All hours on Labor Day shall be paid at triple the regular rate, inclusive of benefits.

RECOGNIZED HOLIDAYS: New Year's Day, President's Day, Memorial Day, July 4th, Labor Day, Veterans' Day, Presidential Election Day, Thanksgiving Day and Christmas Day. Sunday holidays observed the following Monday.

**NEW JERSEY DEPARTMENT OF LABOR AND WORKFORCE DEVELOPMENT  
PREVAILING WAGE RATE DETERMINATION**

County - UNION

**Craft: Heat & Frost Insulator - Asbestos Worker**

**PREVAILING WAGE RATE**

	10/17/16
Asbestos Helper Abatement	W33.52 B22.69 T56.21
Firestop/Hazmat	W26.93 B9.25 T36.18
Foreman	W52.52 B30.17 T82.69

**Craft: Heat & Frost Insulator - Asbestos Worker**

**APPRENTICE RATE SCHEDULE**

INTERVAL	PERIOD AND RATES									
	SEE	HEAT &	FROST	INSULAT OR						

**Ratio of Apprentices to Journeymen - 1:3**

**Craft: Heat & Frost Insulator - Asbestos Worker**

**COMMENTS/NOTES**

NOTE: These rates apply only to the removal of insulation materials/asbestos from mechanical systems, including containment erection and demolition, and placing material in appropriate containers.

The regular workday shall be 8 hours between 8:00 AM and 4:30 PM.

**SHIFT DIFFERENTIALS:**

- Shift work must run for a minimum of 5 consecutive workdays.
- The second shift shall work 7.5 hours and receive 8 hours pay at the regular rate, plus 25% per hour.
- The third shift shall work 7 hours and receive 8 hours pay at the regular rate, plus 30% per hour.

**OVERTIME:** The first 2 hours in excess of 8 per day, hours outside of the regular workday Monday through Friday that are not shift work, and the first 10 hours on Saturday, shall be paid at time and one-half the regular rate, inclusive of benefits. All hours in excess of 10 per day, and all hours on Sunday and holidays (except Labor Day) shall be paid at double the regular rate, inclusive of benefits. All hours on Labor Day shall be paid at triple the regular rate, inclusive of benefits.

**RECOGNIZED HOLIDAYS:** New Year's Day, Presidents' Day, Memorial Day, July 4th, Labor Day, Veterans' Day, Presidential Election Day, Thanksgiving Day and Christmas Day. Sunday holidays observed the following Monday.



**NEW JERSEY DEPARTMENT OF LABOR AND WORKFORCE DEVELOPMENT  
PREVAILING WAGE RATE DETERMINATION**

County - UNION

**Craft: Ironworker                      PREVAILING WAGE RATE**

	08/02/16	07/01/17
Rod /Fence Foreman	W42.24 B44.27 T86.51	W0.00 B0.00 T88.51
Rod/Fence Journeyman	W39.24 B44.27 T83.51	W0.00 B0.00 T85.51
Structural Foreman	W44.54 B44.27 T88.81	W0.00 B0.00 T90.56
Structural Journeyman	W41.54 B44.27 T85.81	W0.00 B0.00 T87.56

**Craft: Ironworker                      APPRENTICE RATE SCHEDULE**

<u>INTERVAL</u>	<u>PERIOD AND RATES</u>									
6 Months	50%	60%		Yearly	70%	80%	90%			

**Ratio of Apprentices to Journeymen - 1:4**

**Craft: Ironworker                      COMMENTS/NOTES**

**HAZARDOUS WASTE WORK:** On hazardous waste removal work on a state or federally designated hazardous waste site where the Ironworker is required to wear Level A,B, or C personal protection: + \$3.00 per hour

The regular workday consists of 8 hours between 6:00 AM and 4:30 PM.

**FOREMAN REQUIREMENTS:**

When there are 2 or more Ironworkers on a job, 1 shall be designated a Foreman.

**SHIFT DIFFERENTIALS:**

- When a 2 shift schedule is established, the first, or day shift , shall be established on an 8 hour basis .The second shift shall be established on an 8 hour basis, and receive the regular rate plus 15%.
- When a three shift schedule is established, the first shift shall be established on an 8 hour basis, the second shift on a 7.5 hour basis, and the third shift on a 7 hour basis. The first shift shall receive the regular hourly rate, the second shift shall receive the regular rate plus 15%, and the third shift shall receive the regular rate plus 20%.
- When there is no day shift, and a second or third shift is established, it shall be established on an 8 hour basis.
- When an irregular shift is established for the Ironworker (Structural) classification, the rate shall be paid at time and one-half the regular rate, inclusive of benefits. When an irregular shift is established for the Rod/Fence classification, the shift shall be established on an 8 hour basis and receive the regular rate, plus 20%.

**OVERTIME:**

**NEW JERSEY DEPARTMENT OF LABOR AND WORKFORCE DEVELOPMENT  
PREVAILING WAGE RATE DETERMINATION**

**County - UNION**

- All hours in excess of 8 per day, or before or after an established shift that are not shift work, and all hours on Saturday, shall be paid at time and one-half the regular rate, inclusive of benefits. All hours on Sunday and holidays shall be paid at double the hourly rate, inclusive of benefits. Saturday may be used as a make-up day for a day lost to inclement weather. If Saturday is not a make-up day, all hours on Saturday shall be paid at time and one-half the hourly rate, inclusive of benefits.

- Four 10-hour days may be worked, Monday to Thursday, at straight time. Friday may be used as a make-up day for a day lost to inclement weather. If Friday is not a make-up day, all hours on Friday shall be paid at time and one-half the hourly rate, inclusive of benefits.

RECOGNIZED HOLIDAYS: New Year's Day, Presidents' Day, Memorial Day, July 4th, Labor Day, Presidential Election Day, Veterans Day, Thanksgiving Day, Christmas Day.

**NEW JERSEY DEPARTMENT OF LABOR AND WORKFORCE DEVELOPMENT  
PREVAILING WAGE RATE DETERMINATION**

**County - UNION**

**Craft: Laborer - Asbestos & Hazardous Waste Removal**

**PREVAILING WAGE RATE**

	01/26/17
Journeyman (Handler)	W30.88 B21.91 T52.79

**Craft: Laborer - Asbestos & Hazardous Waste Removal**

**APPRENTICE RATE SCHEDULE**

INTERVAL	PERIOD AND RATES									
Yearly	18.53	21.62	24.70	27.79						
Benefits	20.26	for	all	intervals						

**Ratio of Apprentices to Journeymen - \***

\* Ratio of apprentices to journeymen shall not be more than one apprentice for the first journeyman and no more than (1) apprentice for each additional three (3) journeymen.

**Craft: Laborer - Asbestos & Hazardous Waste Removal**

**COMMENTS/NOTES**

NOTE: These rates apply to work in connection with Asbestos, Radiation, Hazardous Waste, Lead, Chemical, Biological, Mold Remediation and Abatement.

The regular workday shall be 8 hours between 6:00 AM and 6:00 PM.

**OVERTIME:**

- Hours in excess of 8 per day, Monday through Saturday, and all hours on Sunday and holidays shall be paid at time and one-half the regular rate.
- When the owner (Public Body) mandates that work is to be performed on Sunday, those hours may be worked at straight time, up to 8 hours per day, up to 40 hours per week.
- Benefits on ALL overtime hours shall be paid at straight time.

RECOGNIZED HOLIDAYS: New Year's Day, President's Day, Good Friday, Easter, Memorial Day, July 4th, Labor Day, Presidential Election Day, Veterans' Day, Thanksgiving Day, Christmas Day.

**NEW JERSEY DEPARTMENT OF LABOR AND WORKFORCE DEVELOPMENT  
PREVAILING WAGE RATE DETERMINATION**

**County - UNION**

**Craft: Laborer - Building**

**PREVAILING WAGE RATE**

	11/01/16	05/01/17	11/01/17	05/01/18
Class A Journeyman	W31.55 B27.22 T58.77	W0.00 B0.00 T59.67	W0.00 B0.00 T60.72	W0.00 B0.00 T62.57
Class B Journeyman	W31.05 B27.22 T58.27	W0.00 B0.00 T59.17	W0.00 B0.00 T60.22	W0.00 B0.00 T62.07
Class C Journeyman	W26.43 B27.22 T53.65	W0.00 B0.00 T54.55	W0.00 B0.00 T55.60	W0.00 B0.00 T57.45
Foreman	W35.46 B27.22 T62.68	W0.00 B0.00 T63.58	W0.00 B0.00 T64.63	W0.00 B0.00 T66.48
General Foreman	W39.38 B27.22 T66.60	W0.00 B0.00 T67.50	W0.00 B0.00 T68.55	W0.00 B0.00 T70.40

**Craft: Laborer - Building**

**APPRENTICE RATE SCHEDULE**

<b>INTERVAL</b>	<b>PERIOD AND RATES</b>									
	60%	70%	80%	90%						
6 Months										
Benefit	23.97	23.97	23.97	23.97						

**Ratio of Apprentices to Journeymen - \***

\* Ratio of apprentices to journeymen shall not be more than one apprentice for the first journeyman and no more than (1) apprentice for each additional three (3) journeymen.

**Craft: Laborer - Building**

**COMMENTS/NOTES**

CLASS A: Specialist laborer including mason tender or concrete pour crew; scaffold builder (scaffolds up to 14 feet in height); operator of forklifts, Bobcats (or equivalent machinery), jack hammers, tampers, motorized tampers and compactors, vibrators, street cleaning machines, hydro demolition equipment, riding motor buggies, conveyors, burners; and nozzlemen on gunite work.

CLASS B: Basic laborer - includes all laborer work not listed in Class A or Class C.

CLASS C: Janitorial-type light clean-up work associated with the TURNOVER of a project, or part of a project, to the owner. All other clean-up work is Class B.

The regular workday shall be 8 hours between 6:00 AM and 6:00 PM.

**SHIFT DIFFERENTIALS:**

- Shift work must run for a minimum of 5 consecutive workdays.
- When a 2-shift schedule is worked, including a day shift, both shifts shall be established on the basis of 8 hours pay for 8 hours worked. The second shift shall receive the regular rate plus an additional 10%.
- When a 3-shift schedule is worked, the day shift shall be established on the basis of 8 hours pay for 8 hours worked, the second shift shall be established on the basis of 8 hours pay for 7.5 hours worked, and the third shift shall be established

**NEW JERSEY DEPARTMENT OF LABOR AND WORKFORCE DEVELOPMENT  
PREVAILING WAGE RATE DETERMINATION**

**County - UNION**

on the basis of 8 hours pay for 7 hours worked. The day shift shall receive the regular rate, the second shift shall receive the regular rate plus an additional 10%, and the third shift shall receive the regular rate plus an additional 15%.

- When a second or third shift is worked with no day shift, the second or third shift shall be established on the basis of 8 hours pay for 8 hours worked. The second shift shall receive the regular rate plus an additional 10%, and the third shift shall receive the regular rate plus an additional 15%.

**OVERTIME:**

- Hours in excess of 8 per day, or outside the regular workday that are not shift work, Monday through Friday, and all hours on Saturdays shall be paid at time and one-half the regular rate. Saturday may be used as a make-up day (paid at straight time) for a day lost to inclement weather, or for a holiday that is observed during the work week, Monday through Friday. All hours on Sundays and holidays shall be paid at double the regular rate.

- Four 10-hour days may be worked Monday to Thursday, at straight time, with Friday used a make-up day for a day lost to inclement weather. If Friday is not a make-up day, all hours on Friday shall be paid at time and one-half the regular rate.

- Benefits on ALL overtime hours shall be paid at time and one-half.

**RECOGNIZED HOLIDAYS:** New Year's Day, Presidents' Day, Memorial Day, July 4th, Labor Day, Presidential Election Day, Veterans' Day, Thanksgiving Day, Christmas Day. Sunday holidays observed the following Monday.

**NEW JERSEY DEPARTMENT OF LABOR AND WORKFORCE DEVELOPMENT  
PREVAILING WAGE RATE DETERMINATION**

**County - UNION**

**Craft: Laborer - Heavy & General**

**PREVAILING WAGE RATE**

Rates are located in the  
"Statewide" rate package

**Craft: Laborer - Heavy & General**

**APPRENTICE RATE SCHEDULE**

INTERVAL	PERIOD AND RATES									
1000 Hours	60%	70%	80%	90%						
Benefit	19.53	for	all	intervals						

**Ratio of Apprentices to Journeymen - \***

\* No more than 1 apprentice for the first journeyman and no more than 1 apprentice for each additional 3 journeymen.

**Craft: Laborer - Heavy & General**

**COMMENTS/NOTES**

Heavy & General Laborer rates are located in the "Statewide" rate package.

**NEW JERSEY DEPARTMENT OF LABOR AND WORKFORCE DEVELOPMENT  
PREVAILING WAGE RATE DETERMINATION**

County - UNION

**Craft: Laborer-Residential and Modular Construction**

**PREVAILING WAGE RATE**

	01/05/17	04/01/17
* Skilled Tradesman (only applies to Modular Construction)	W25.25 B5.45 T30.70	W25.55 B5.45 T31.00
Foreman (person directing crew, regardless of his skill classification)	W25.25 B5.45 T30.70	W25.55 B5.45 T31.00
Laborer	W21.25 B5.45 T26.70	W21.55 B5.45 T27.00
Laborer (for single family and stand-alone duplex owned by single owner)	W16.55 B2.95 T19.50	W17.05 B2.95 T20.00

**Craft: Laborer-Residential and Modular Construction**

**APPRENTICE RATE SCHEDULE**

<u>INTERVAL</u>	<u>PERIOD AND RATES</u>									
	As shown	800 hours	600 hours	600 hours						
wage & benefits	70%	80%	90%							

Ratio of Apprentices to Journeymen-

One (1) apprentice shall be allowed for the first journeyman on site and no more than one (1) additional apprentice for each additional three (3) journeymen on site.

**Craft: Laborer-Residential and Modular Construction**

**COMMENTS/NOTES**

\* SKILLED TRADESMAN- any worker doing work not typically done by a Building Laborer. Some examples are installing interior doors, sheet rock, hooking up appliances, installing light fixtures, installing railing systems, etc. Please note where local building codes require that certain work be performed under the supervision of a licensed tradesman (i.e. Plumber, Electrician, etc.) Laborers shall work under such supervision.

RESIDENTIAL CONSTRUCTION- All residential construction (not commercial), single-family, stand-alone duplex houses, townhouses and multi-family buildings of not more than four (4) floors, including basement levels. Please note the construction must be residential in nature for ALL FLOORS at an elevation of no more than FOUR (4) FLOORS, INCLUDING BASEMENT. In addition, barracks and dormitories are not considered residential projects.

MODULAR RESIDENTIAL CONSTRUCTION- all aspects of modular residential construction (not commercial) at the site of installation of structures of no more than four (4) stories, including all excavation and site preparation, footings and foundation systems whether poured on-site or prefabricated, all underground waterproofing, underground utilities, concrete slabs, sidewalks, driveways, paving, hardscape and landscaping. Please note the construction must be residential in nature for ALL STORIES at an elevation of no more than FOUR (4) STORIES. All work performed by the Set Crew (the crew of workers who set the modular boxes on the foundation), including the rigging, setting, attaching and assembly of all modules and structural members, preparation of the foundation to accept modules, such as sill plates, connection of all in-module and under-module connections including, but not limited to, plumbing, electrical, HVAC, fire suppression, CATS,

**NEW JERSEY DEPARTMENT OF LABOR AND WORKFORCE DEVELOPMENT  
PREVAILING WAGE RATE DETERMINATION**

**County - UNION**

telephone, television/internet, and fiber optic, the building or installation of any porches or decks regardless of material or method of construction, the on-site installation of, or completion of any roof system, doors, windows and fenestrations, including flashing, gutter and soffit systems, waterproofing, insulation and interior and exterior trim work, and painting. Please note that modular construction does not include on-site stick built construction, tip up construction or panel built construction.

The regular workday shall be 8 hours between 6:00 AM and 6:00 PM.

**OVERTIME:**

Hours worked in excess of 8 per day/40 per week, Monday through Saturday, and all hours worked on Sunday and holidays shall be paid at time and one-half the hourly rate.

**RECOGNIZED HOILDAYS:**

New Year's Day, Martin Luther King Day, Memorial Day, July 4th, Labor Day, Thanksgiving Day and Christmas Day.



**NEW JERSEY DEPARTMENT OF LABOR AND WORKFORCE DEVELOPMENT  
PREVAILING WAGE RATE DETERMINATION**

**County - UNION**

**Craft: Millwright**

**PREVAILING WAGE RATE**

	11/01/16
Foreman	W53.53 B31.65 T85.18
Journeyman	W46.55 B27.60 T74.15

**Craft: Millwright**

**APPRENTICE RATE SCHEDULE**

INTERVAL	PERIOD AND RATES									
6 Months	40%	45%	50%	55%	60%	65%	70%	75%	85%	95%
Benefits	58% of	Appren	tice	Wage	Rate	for all	intervals	+ \$.60		

**Ratio of Apprentices to Journeymen - 1:3**

**Craft: Millwright**

**COMMENTS/NOTES**

**FOREMAN REQUIREMENTS:**

- When there are 2 or more Millwrights on a job, 1 shall be designated as a Foreman.
- When there are 21 or more Millwrights on a job, 2 shall be designated as Foremen.

The regular workday shall consist of 8 hours, starting between 7:00 AM and 9:00 AM.

**SHIFT DIFFERENTIALS:**

- When a 2 shift schedule (including a day shift) is established, the day shift shall be established on an 8 hour basis. The second shift shall be established on an 8 hour basis, and receive the regular rate plus 15%, inclusive of benefits.
- When a three shift schedule is established, the first shift shall be established on an 8 hour basis, the second shift on a 7.5 hour basis, and the third shift on a 7 hour basis. The first shift shall receive the regular hourly rate, the second shift shall receive the regular rate plus 15% and the third shift shall receive the regular rate plus 20%, inclusive of benefits.
- When there is no day shift, and a second or third shift is established, it shall be established on an 8 hour basis. The second shift shall receive the regular rate plus 15% and the third shift shall receive the regular rate plus 20%, inclusive of benefits.

**OVERTIME:**

- All hours in excess of 8 per day, or before or after an established shift that are not shift work, and all hours on Saturdays shall be paid at time and one-half the hourly rate, inclusive of benefits. All hours on Sundays and holidays shall be paid at double the hourly rate, inclusive of benefits.
- Four 10-hour days may be worked, Monday to Thursday, at straight time. Friday may be used as a make-up day for a day lost due to inclement weather. If Friday is not a make-up day, all hours on Friday shall be paid at time and one-half the hourly rate, inclusive of benefits.

**RECOGNIZED HOLIDAYS:** New Year's Day, Presidents' Day, Memorial Day, July 4th, Labor Day, Presidential Election Day, Veterans' Day, Thanksgiving Day, Christmas Day. Sunday holidays will be observed the following Monday.



**NEW JERSEY DEPARTMENT OF LABOR AND WORKFORCE DEVELOPMENT  
PREVAILING WAGE RATE DETERMINATION**

**County - UNION**

**Craft: Operating Engineer - Field Engineer**

**PREVAILING WAGE RATE**

Rates are located in the  
"Statewide" rate package

**Craft: Operating Engineer - Field Engineer**

**APPRENTICE RATE SCHEDULE**

INTERVAL	PERIOD AND RATES									
Yearly	70%	75%	of Rod/	Chainman	Wage					
Yearly			80%	90%	Transit/	Instrument	man	Wage		

**Ratio of Apprentices to Journeymen - \***

\* No more than 1 Field Engineer Apprentice per Survey Crew.

**Craft: Operating Engineer - Field Engineer**

**COMMENTS/NOTES**

Operating Engineer - Field Engineer rates are located in the "Statewide" rate package.

**NEW JERSEY DEPARTMENT OF LABOR AND WORKFORCE DEVELOPMENT  
PREVAILING WAGE RATE DETERMINATION**

**County - UNION**

**Craft: Painter - Bridges**

**PREVAILING WAGE RATE**

	05/01/16	05/01/17
Foreman	W57.38 B26.92 T84.30	W61.13 B25.67 T86.80
General Foreman	W59.38 B26.92 T86.30	W63.13 B25.67 T88.80
Journeyman	W52.38 B26.92 T79.30	W56.13 B25.67 T81.80

**Craft: Painter - Bridges**

**APPRENTICE RATE SCHEDULE**

INTERVAL	PERIOD AND RATES									
	40%	50%			60%	70%		80%	90%	
6 Months										
Benefits	Intervals	1 to 2 =	8.88	Intervals	3 to 4 =	10.81	Intervals	5 to 6 =	13.48	

**Ratio of Apprentices to Journeymen - 1:4**

**Craft: Painter - Bridges**

**COMMENTS/NOTES**

These rates apply to: All bridges that span waterways, roadways, railways and canyons. All tunnels, overpasses, viaducts and all appurtenances.

**FOREMEN REQUIREMENTS:**

- When there are 4 or more Painters on a job, 1 shall be designated a Foreman.
- When there are 15 or more Painters on a job, 1 shall be designated a General Foreman.

The regular workday shall consist of 8 hours between 7:00 AM and 5:30 PM.

**SHIFT DIFFERENTIALS:**

- The second shift shall receive an additional 10% of the hourly rate, per hour, and the third shift shall receive an additional 15% of the hourly rate, per hour.

**OVERTIME:**

- Hours in excess of 8 per day, Monday through Friday, and all hours on Saturdays and Sundays shall be paid at time and one-half the regular rate. All hours on holidays shall be paid at double the regular rate.
- Saturday or Sunday may be used to make up a day lost to inclement weather, at straight time.
- Four 10-hour days may be worked, at straight time, Monday through Friday.

**RECOGNIZED HOLIDAYS:** New Year's Day, President's Day, Memorial Day, July 4th, Labor Day, Presidential Election Day, Veterans' Day, Thanksgiving Day, Christmas Day. Saturday holiday observed the preceding Friday. Sunday holiday observed the following Monday.

**NEW JERSEY DEPARTMENT OF LABOR AND WORKFORCE DEVELOPMENT  
PREVAILING WAGE RATE DETERMINATION**

**County - UNION**

**Craft: Painter - Line Striping**

**PREVAILING WAGE RATE**

	12/29/16
Apprentice (1st year)	W24.45 B10.75 T35.20
Apprentice (2nd year)	W28.45 B16.80 T45.25
Foreman (Charge Person)	W36.60 B17.08 T53.68
Journeyman 1 (at least 1 year of working exp. as a journeyman)	W32.33 B17.08 T49.41
Journeyman 2 (at least 2 years of working exp. as a journeyman)	W36.10 B17.08 T53.18

**Craft: Painter - Line Striping**

**COMMENTS/NOTES**

**OVERTIME:**

Hours in excess of 8 per day, Monday through Saturday, and all hours on Sundays and holidays shall be paid at time and one-half the hourly rate.

**RECOGNIZED HOLIDAYS:** New Year's Day, Presidents' Day, Memorial Day, July 4th, Labor Day, Veterans Day, Thanksgiving Day and Christmas Day. Veterans Day may be substituted for the day after Thanksgiving.

**NEW JERSEY DEPARTMENT OF LABOR AND WORKFORCE DEVELOPMENT  
PREVAILING WAGE RATE DETERMINATION**

**County - UNION**

**Craft: Painter - New Construction**

**PREVAILING WAGE RATE**

	05/01/16	05/01/17
Foreman	W42.26 B22.94 T65.20	W44.39 B22.35 T66.74
General Foreman	W46.10 B23.40 T69.50	W48.43 B22.81 T71.24
Journeyman	W38.42 B22.49 T60.91	W40.36 B21.90 T62.26

**Craft: Painter - New Construction**

**APPRENTICE RATE SCHEDULE**

INTERVAL	PERIOD AND RATES									
4 Months	30%	40%	50%	60%	70%	75%	80%	85%	90%	
Benefits	Intervals	1 to 3 =	8.00	Intervals	4 to 6 =	10.00	Intervals	7 to 9 =	11.00	

**Ratio of Apprentices to Journeymen - 1:4**

**Craft: Painter - New Construction**

**COMMENTS/NOTES**

APPRENTICE RATE SCHEDULE FOR THOSE APPRENTICES ENTERING PROGRAM ON 5-1-14:

INTERVAL	PERIOD AND RATES							
6 Months	40%	45%	55%	65%	70%	75%	80%	90%
Benefits	8.00	8.00	10.00	10.00	11.00	11.00	14.00	14.00

Spraying, sandblasting, lead abatement, work on tanks or stacks, work performed above 3 stories or 30 feet in height, or using swing scaffolds requires an additional 10% of the wage rate.

**FOREMEN REQUIREMENTS:**

- When there are 4 or more Painters on a job, 1 shall be designated a Foreman.
- When there are 15 or more Painters on a job, 1 shall be designated a General Foreman.

The regular workday shall consist of 8 hours between 7:00 AM and 5:30 PM.

**SHIFT DIFFERENTIALS:**

- The second shift shall receive an additional 10% of the hourly rate, per hour, and the third shift shall receive an additional 15% of the hourly rate, per hour.

**OVERTIME:**

- Hours in excess of 8 per day, or before or after the regular workday, Monday through Friday, and all hours on Saturdays shall be paid at time and one-half the regular rate. All hours on Sundays and holidays shall be paid at double the regular rate.

**NEW JERSEY DEPARTMENT OF LABOR AND WORKFORCE DEVELOPMENT  
PREVAILING WAGE RATE DETERMINATION**

**County - UNION**

- Saturday or Sunday may be used to make up a day lost to inclement weather, at straight time.
- Four 10-hour days may be worked, at straight time, Monday through Friday.

RECOGNIZED HOLIDAYS: New Year's Day, President's Day, Memorial Day, July 4th, Labor Day, General Election Day, Veterans' Day, Thanksgiving Day, Christmas Day.

**NEW JERSEY DEPARTMENT OF LABOR AND WORKFORCE DEVELOPMENT  
PREVAILING WAGE RATE DETERMINATION**

County - UNION

Craft: Painter - Repainting

**PREVAILING WAGE RATE**

	05/01/16	05/01/17
Foreman	W31.59 B18.45 T50.04	W34.17 B18.45 T52.62
General Foreman	W34.45 B18.87 T53.32	W37.39 B18.45 T55.84
Journeyman	W28.74 B18.87 T47.61	W31.16 B18.45 T49.61

Craft: Painter - Repainting

**APPRENTICE RATE SCHEDULE**

INTERVAL	PERIOD AND RATES									
	SEE	PAINTER	NEW	CONSTR	TION					
			UC							

**Ratio of Apprentices to Journeymen - 1:4**

Craft: Painter - Repainting

**COMMENTS/NOTES**

NOTE: These rates may only be used on jobs where no major alterations occur, and where not more than 3 other trades are present on the job, but may NOT, under any circumstances, be used for work on bridges, stacks, elevated tank, or generating stations.

Spraying, sandblasting, lead abatement, work on tanks or stacks, work performed above 3 stories or 30 feet in height, or using swing scaffolds requires an additional 10% of the wage rate.

**FOREMEN REQUIREMENTS:**

- When there are 4 or more Painters on a job, 1 shall be designated a Foreman.
- When there are 15 or more Painters on a job, 1 shall be designated a General Foreman.

**OVERTIME:**

- Hours in excess of 8 per day and 40 per week shall be paid at time and one-half the regular rate. All hours on Sundays and holidays shall be paid at double the regular rate.
- Four 10-hour days may be worked, at straight time, Monday through Sunday.

RECOGNIZED HOLIDAYS: New Year's Day, President's Day, Memorial Day, July 4th, Labor Day, General Election Day, Veterans' Day, Thanksgiving Day, Christmas Day.



**NEW JERSEY DEPARTMENT OF LABOR AND WORKFORCE DEVELOPMENT  
PREVAILING WAGE RATE DETERMINATION**

**County - UNION**

**Craft: Painter- Containment**

**PREVAILING WAGE RATE**

	05/01/16	05/01/17
Journeyman	W33.43 B23.92 T57.35	W37.68 B22.92 T60.60

**Craft: Painter- Containment**

**COMMENTS/NOTES**

NOTE: These rates shall require no painting, but used in a supporting capacity only, such as wrapping, boxing, fencing, etc. on tanks.

The regular workday shall consist of 8 hours between 7:00 AM and 5:30 PM.

**SHIFT DIFFERENTIALS:**

- The second shift shall receive an additional 10% of the hourly rate, per hour, and the third shift shall receive an additional 15% of the hourly rate, per hour.

**OVERTIME:**

- Hours in excess of 8 per day, Monday through Friday, and all hours on Saturdays and Sundays shall be paid at time and one-half the regular rate. All hours on holidays shall be paid at double the regular rate..

- Four 10-hour days may be worked, at straight time, Monday through Friday.

**RECOGNIZED HOLIDAYS:** New Year's Day President's Day, Memorial Day, July 4th, Labor Day, Presidential Election Day, Veterans' Day, Thanksgiving Day, Christmas Day. Saturday holiday observed the preceding Friday. Sunday holiday observed the following Monday.

**NEW JERSEY DEPARTMENT OF LABOR AND WORKFORCE DEVELOPMENT  
PREVAILING WAGE RATE DETERMINATION**

County - UNION

**Craft: Painter-Elevated Water Tanks**

**PREVAILING WAGE RATE**

	05/01/16	05/01/17
Foreman	W47.17 B24.17 T71.34	W50.92 B22.92 T73.84
General Foreman	W49.17 B24.17 T73.34	W52.92 B22.92 T75.84
Journeyman	W42.17 B24.17 T66.34	W45.92 B22.92 T68.84

**Craft: Painter-Elevated Water Tanks**

**APPRENTICE RATE SCHEDULE**

INTERVAL	PERIOD AND RATES									
	SEE	PAINTER	BRIDGES							

**Craft: Painter-Elevated Water Tanks**

**COMMENTS/NOTES**

These rates apply to: All new and repaint elevated water tanks (interior and exterior).

**FOREMEN REQUIREMENTS:**

- When there are 4 or more Painters on a job, 1 shall be designated a Foreman.
- When there are 15 or more Painters on a job, 1 shall be designated a General Foreman.

The regular workday shall consist of 8 hours between 7:00 AM and 5:30 PM.

**SHIFT DIFFERENTIALS:**

- The second shift shall receive an additional 10% of the hourly rate, per hour, and the third shift shall receive an additional 15% of the hourly rate, per hour.

**OVERTIME:**

- Hours in excess of 8 per day, Monday through Friday, and all hours on Saturdays and Sundays shall be paid at time and one-half the regular rate. All hours on holidays shall be paid at double the regular rate.
- Saturday or Sunday may be used to make up a day lost to inclement weather, at straight time.
- Four 10-hour days may be worked, at straight time, Monday through Friday.

**RECOGNIZED HOLIDAYS:** New Year's Day, President's Day, Memorial Day, July 4th, Labor Day, Presidential Election Day, Veterans' Day, Thanksgiving Day, Christmas Day. Saturday holiday observed the preceding Friday. Sunday holiday observed the following Monday.

**NEW JERSEY DEPARTMENT OF LABOR AND WORKFORCE DEVELOPMENT  
PREVAILING WAGE RATE DETERMINATION**

**County - UNION**

**Craft: Painter-Structural Steel**

**PREVAILING WAGE RATE**

	05/01/16	05/01/17
Foreman	W46.12 B24.51 T70.63	W49.87 B23.26 T73.13
General Foreman	W48.12 B24.51 T72.63	W51.87 B23.26 T75.13
Journeyman	W41.12 B24.51 T65.63	W44.87 B23.26 T68.13

**Craft: Painter-Structural Steel**

**APPRENTICE RATE SCHEDULE**

INTERVAL	PERIOD AND RATES									
	SEE	PAINTER	BRIDGES							

**Craft: Painter-Structural Steel**

**COMMENTS/NOTES**

These rates apply to: All work in power plants (any aspect). On steeples, on dams, on hangers, transformers, substations, etc. and on open steel, whether new or repaint. All new work (excluding traditional commercial painting work) in refineries, tank farms, water/sewerage treatment facilities and on pipelines.

**FOREMEN REQUIREMENTS:**

- When there are 4 or more Painters on a job, 1 shall be designated a Foreman.
- When there are 15 or more Painters on a job, 1 shall be designated a General Foreman.

The regular workday shall consist of 8 hours between 7:00 AM and 5:30 PM.

**SHIFT DIFFERENTIALS:**

- The second shift shall receive an additional 10% of the hourly rate, per hour, and the third shift shall receive an additional 15% of the hourly rate, per hour.

**OVERTIME:**

- Hours in excess of 8 per day, Monday through Friday, and all hours on Saturdays and Sundays shall be paid at time and one-half the regular rate. All hours on holidays shall be paid at double the regular rate.
- Saturday or Sunday may be used to make up a day lost to inclement weather, at straight time.
- Four 10-hour days may be worked, at straight time, Monday through Friday.

**RECOGNIZED HOLIDAYS:** New Year's Day, President's Day, Memorial Day, July 4th, Labor Day, Presidential Election Day, Veterans' Day, Thanksgiving Day, Christmas Day. Saturday holiday observed the preceding Friday. Sunday holiday observed the following Monday.

**NEW JERSEY DEPARTMENT OF LABOR AND WORKFORCE DEVELOPMENT  
PREVAILING WAGE RATE DETERMINATION**

County - UNION

**Craft: Paperhanger - New Construction**

**PREVAILING WAGE RATE**

	05/01/16	05/01/17
Foreman	W43.25 B22.59 T65.84	W45.32 B21.44 T66.76
Journeyman	W39.32 B22.59 T61.91	W41.20 B22.01 T63.21

**Craft: Paperhanger - New Construction**

**APPRENTICE RATE SCHEDULE**

INTERVAL	PERIOD AND RATES									
4 Months	30%	40%	50%	60%	70%	75%	80%	85%	90%	
Benefits	Intervals	1 to 3 =	8.00	Intervals	4 to 6 =	10.00	Intervals	7 to 9 =	11.00	

**Ratio of Apprentices to Journeymen - 1:4**

**Craft: Paperhanger - New Construction**

**COMMENTS/NOTES**

APPRENTICE RATE SCHEDULE FOR THOSE APPRENTICES ENTERING PROGRAM ON 5-1-14:

INTERVAL	PERIOD AND RATES							
6 Months	40%	45%	55%	65%	70%	75%	80%	90%
Benefits	8.00	8.00	10.00	10.00	11.00	11.00	14.00	14.00

**FOREMEN REQUIREMENTS:**

- When there are 4 or more Paperhangers on a job, 1 shall be designated a Foreman.

The regular workday shall consist of 8 hours between 7:00 AM and 5:30 PM.

**SHIFT DIFFERENTIALS:**

- The second shift shall receive an additional 10% of the hourly rate, per hour, and the third shift shall receive an additional 15% of the hourly rate, per hour.

**OVERTIME:**

- Hours in excess of 8 per day, Monday through Friday, and all hours on Saturdays shall be paid at time and one-half the regular rate. All hours on Sundays and holidays shall be paid at double the regular rate.
- Saturday or Sunday may be used to make up a day lost to inclement weather, at straight time.
- Four 10-hour days may be worked, at straight time, Monday through Friday.

**RECOGNIZED HOLIDAYS:** New Year's Day, President's Day, Memorial Day, July 4th, Labor Day, General Election Day, Veterans' Day, Thanksgiving Day, Christmas Day.

**NEW JERSEY DEPARTMENT OF LABOR AND WORKFORCE DEVELOPMENT  
PREVAILING WAGE RATE DETERMINATION**

County - UNION

**Craft: Paperhanger - Renovation**

**PREVAILING WAGE RATE**

	05/01/16	05/01/17
Foreman	W32.39 B18.96 T51.35	W35.06 B18.53 T53.59
Journeyman	W29.45 B18.96 T48.41	W31.88 B18.53 T50.41

**Craft: Paperhanger - Renovation**

**APPRENTICE RATE SCHEDULE**

INTERVAL	PERIOD AND RATES									
	SEE	PAPER-	HANGER	NEW	CONSTR	TION				
					UC					

**Ratio of Apprentices to Journeymen - 1:4**

**Craft: Paperhanger - Renovation**

**COMMENTS/NOTES**

NOTE: These rates may only be used on jobs where no major alterations occur, and where not more than 3 other trades are present on the job, but may NOT, under any circumstances, be used for work on bridges, stacks, elevated tanks, or generating stations.

**FOREMEN REQUIREMENTS:**

- When there are 4 or more Paperhangers on a job, 1 shall be designated a Foreman.

**OVERTIME:**

- Hours in excess of 8 per day and 40 per week shall be paid at time and one-half the regular rate.

- Four 10-hour days may be worked, at straight time, Monday through Sunday.



**NEW JERSEY DEPARTMENT OF LABOR AND WORKFORCE DEVELOPMENT  
PREVAILING WAGE RATE DETERMINATION**

**County - UNION**

ANY new construction.

RECOGNIZED HOLIDAYS: New Year's Day, Presidents' Day, Memorial Day, July 4th, Labor Day, Presidential Election Day, Veterans' Day, Thanksgiving Day, Christmas Day. Sunday holidays are observed the following Monday.

**NEW JERSEY DEPARTMENT OF LABOR AND WORKFORCE DEVELOPMENT  
PREVAILING WAGE RATE DETERMINATION**

**County - UNION**

**Craft: Plasterer**

**PREVAILING WAGE RATE**

See Bricklayer, Stone Mason Rates

**Craft: Plasterer**

**COMMENTS/NOTES**

\*\*\*See BRICKLAYER, STONE MASON Rates\*\*\*



**NEW JERSEY DEPARTMENT OF LABOR AND WORKFORCE DEVELOPMENT  
PREVAILING WAGE RATE DETERMINATION**

**County - UNION**

**Craft: Plumber                      PREVAILING WAGE RATE**

	05/04/16
Foreman	W55.52 B32.99 T88.51
General Foreman	W59.12 B32.99 T92.11
Journeyman	W51.41 B32.99 T84.40

**Craft: Plumber                      APPRENTICE RATE SCHEDULE**

INTERVAL	PERIOD AND RATES									
Yearly	30%	45%	55%	65%	75%					
Benefits	12.77	18.77	20.44	22.13	23.80					

**Ratio of Apprentices to Journeymen - \***

\* Employers may employ 1 apprentice on any job where 1 or 2 journeymen are employed. Thereafter, 1 apprentice may be employed for every 4 journeymen.

**Craft: Plumber                      COMMENTS/NOTES**

**FOREMAN REQUIREMENTS:**

- On any job having 2 or more Plumbers, 1 must be designated a Foreman.
- On any job having 9 or more Plumbers, 2 shall be designated as Foremen.

The regular workday shall consist of 8 hours between 7:00 AM and 4:30 PM.

**SHIFT DIFFERENTIALS:**

- Shift work must continue for a minimum of 5 consecutive workdays.
- When two shifts are worked, the second shift shall work 7.5 hours and receive 8 hours pay, at a rate equal to the hourly rate plus 10%, inclusive of benefits.
- When a third shift is worked, the third shift shall work 7 hours and receive 8 hours pay, at a rate equal to the hourly rate plus 15%, inclusive of benefits.

**OVERTIME:**

- All hours in excess of 8 per day, or before or after the regular workday that are not shift work, Monday through Friday, and all hours on Saturday, shall be paid at time and one-half the regular rate, inclusive of benefits. All hours on Sunday and holidays, shall be paid at double the hourly rate, inclusive of benefits.
- Four 10-hour days may be worked, Monday to Thursday, at straight time. Friday may be used as a make-up day for a day lost due to inclement weather. If Friday is not a make-up day, all hours on Friday shall be paid at time and one-half, inclusive of benefits.

**RECOGNIZED HOLIDAYS:** New Year's Day, Presidents' Day, Memorial Day, July 4th, Labor Day, Presidential Election Day, Veterans' Day, Thanksgiving Day, Christmas Day. Sunday holidays will be observed the following Monday.

**NEW JERSEY DEPARTMENT OF LABOR AND WORKFORCE DEVELOPMENT  
PREVAILING WAGE RATE DETERMINATION**

County - UNION

**Craft: Roofer                      PREVAILING WAGE RATE**

	06/06/16
Foreman	W36.52 B25.03 T61.55
Journeyman	W35.52 B25.03 T60.55

**Craft: Roofer                      APPRENTICE RATE SCHEDULE**

INTERVAL	PERIOD AND RATES									
6 Months	14.21	17.76	21.31	24.86	28.42	31.97				
Benefits	2.10	2.10	22.28	22.28	22.28	22.28				

**Ratio of Apprentices to Journeymen - \***

- \* A) For roofing jobs that are of the 1 or single ply nature: 1:2 or fraction thereof
- B) For roofing jobs on new built up roofs: 1:3 or fraction thereof
- C) For roofing jobs that are of a tear-off nature: 1:2 or fraction thereof
- D) For roofing jobs {not requiring complete removal of existing systems, installation done over existing roof}: 1:3 or fraction thereof

**Craft: Roofer                      COMMENTS/NOTES**

Pitch: +.50 per hour

Mop Man: +.30 per hour

The regular workday consists of 8 hours between 8:00 AM and 4:30 PM.

**OVERTIME:**

Hours in excess of 8 per day, or before or after the regular workday, Monday through Friday, and all hours on Saturdays, Sundays, and holidays shall be paid at time and one-half the regular rate.

**RECOGNIZED HOLIDAYS:** New Year's Day, Good Friday, Memorial Day, July 4th, Labor Day, Presidential Election Day, Veterans' Day, Thanksgiving Day, Christmas Day.

**NEW JERSEY DEPARTMENT OF LABOR AND WORKFORCE DEVELOPMENT  
PREVAILING WAGE RATE DETERMINATION**

**County - UNION**

**Craft: Sheet Metal Sign Installation**

**PREVAILING WAGE RATE**

	10/31/16
Foreman	W33.79 B31.82 T65.61
Journeyman	W32.54 B31.82 T64.36

**Craft: Sheet Metal Sign Installation**

**APPRENTICE RATE SCHEDULE**

INTERVAL	PERIOD AND RATES									
1000 hours	35%	40%	45%	50%	55%	60%	65%	70%	75%	80%
Benefits	10.28	11.73	13.18	14.65	16.47	17.96	19.44	20.93	22.40	23.89

**Ratio of Apprentices to Journeymen - 1:3**

**Craft: Sheet Metal Sign Installation**

**COMMENTS/NOTES**

**FOREMAN REQUIREMENT:**

When there are 6 or more Sheet Metal Sign Installers on a job, 1 shall be designated a Foreman.

The regular workday consists of 8 hours, between 7:00 AM and 3:30 PM.

**OVERTIME:**

Hours before or after the regular workday, Monday through Friday, and all hours worked on Saturday shall be paid at time and one-half the hourly rate. All hours on Sunday and holidays shall be paid at double the hourly rate.

Four(4) 10 hour days may be worked, Monday through Friday, at straight time, for projects lasting at least one week in duration. The fifth day may be used as a make-up day at straight time for a day lost due to inclement weather. However, if the fifth day is not a make-up day, all hours worked will be paid at time and one-half the hourly rate.

**RECOGNIZED HOLIDAYS:** New Year's Day, Presidents' Day, Good Friday, Memorial Day, July 4th, Labor Day, Veterans' Day, Thanksgiving Day and the day after, Christmas Day. Saturday holidays observed the preceding Friday, Sunday holidays observed the following Monday.

**NEW JERSEY DEPARTMENT OF LABOR AND WORKFORCE DEVELOPMENT  
PREVAILING WAGE RATE DETERMINATION**

**County - UNION**

**Craft: Sheet Metal Worker**

**PREVAILING WAGE RATE**

	08/02/16	06/01/17
Foreman	W49.99 B38.73 T88.72	W0.00 B0.00 T91.22
General Foreman	W50.99 B38.73 T89.72	W0.00 B0.00 T92.22
Journeyman	W46.49 B38.73 T85.22	W0.00 B0.00 T87.72

**Craft: Sheet Metal Worker**

**APPRENTICE RATE SCHEDULE**

INTERVAL	PERIOD AND RATES									
Yearly	35%	45%	55%	65%	of	Journey	man	Wage	Rate	
Benefit	35%	45%	55%	65%	of	Journey	man	Benefit	Rate	

**Ratio of Apprentices to Journeymen - 1:4**

**Craft: Sheet Metal Worker**

**COMMENTS/NOTES**

**FOREMAN REQUIREMENTS:**

- When there are 2 or more Sheet Metal Workers on a project, 1 must be designated a Foreman.
- When there are 17 or more Sheet Metal Workers on a project, 1 must be designated a General Foreman.
- When there is only 1 Sheet Metal Worker (1 Journeyman) on a project, he/she shall receive \$1.00 more than the regular Journeyman's rate.

The regular workday is 8 hours between 7:00 AM and 4:30 PM.

**SHIFT DIFFERENTIAL:**

- 2nd Shift (3:30 PM - 12:00 AM) : +17% of regular hourly rate
- Shift work must run for a minimum of 5 consecutive workdays.

**OVERTIME:**

- Hours in excess of 8 per day, or before or after the regular workday, that are not shift work, and the first 10 hours on Saturdays shall be paid at time and one-half of the regular rate, inclusive of benefits. Hours in excess of 10 per day on Saturday, and all hours on Sundays and holidays shall be at double the regular rate, inclusive of benefits.
- Four 10-hour days may be worked, Monday through Friday, at straight time, with hours in excess of 10 per day, and hours in excess of 40 per week paid at the overtime rates listed above.

**RECOGNIZED HOLIDAYS:** New Year's Day, Presidents' Day, Good Friday, Memorial Day, July 4th, Labor Day, Presidential Election Day, Veterans' Day, Thanksgiving Day, Christmas Day. Sunday holidays will be observed the following Monday.

**NEW JERSEY DEPARTMENT OF LABOR AND WORKFORCE DEVELOPMENT  
PREVAILING WAGE RATE DETERMINATION**

**County - UNION**

**Craft: Sprinkler Fitter**

**PREVAILING WAGE RATE**

	01/01/17	07/01/17	01/01/18	07/01/18	01/01/19
Foreman	W62.93 B26.12 T89.05	W64.93 B26.12 T91.05	W64.38 B26.67 T91.05	W66.63 B26.67 T93.30	W66.08 B27.22 T93.30
General Foreman	W65.93 B26.12 T92.05	W67.93 B26.12 T94.05	W67.38 B26.67 T94.05	W69.63 B26.67 T96.30	W69.08 B27.22 T96.30
Journeyman	W58.83 B26.12 T84.95	W60.83 B26.12 T86.95	W60.28 B26.67 T86.95	W62.53 B26.67 T89.20	W61.98 B27.22 T89.20

**Craft: Sprinkler Fitter**

**APPRENTICE RATE SCHEDULE**

INTERVAL	PERIOD AND RATES									
	9.50	11.25	50%	55%	60%	65%	70%	75%	80%	85%
1000 Hours	9.50	11.25	50%	55%	60%	65%	70%	75%	80%	85%
Benefits	10.67	10.67	21.22	21.22	21.22	21.22	Intervals	7 to 10	Jourymn	Ben.

APPRENTICE RATE SCHEDULE FOR THOSE APPRENTICES REGISTERED AS OF 7-1-13:

INTERVAL	PERIOD AND RATES									
1000 hours	25%	30%	40%	45%	55%	60%	70%	75%	85%	90%
Benefits	10.67	10.67	21.22	21.22	21.22	21.22	Intervals	7 to 10	receive	Journeyman Ben.

**Craft: Sprinkler Fitter**

**COMMENTS/NOTES**

The regular workday consists of 8 consecutive hours between 6:00 AM and 4:30 PM.

**FOREMAN REQUIREMENTS:**

- The first Sprinkler Fitter on the job must be designated a Foreman.
- On any job having 12 or more Sprinkler Fitters, one must be designated a General Foreman.

**SHIFT DIFFERENTIALS:**

- Shift work must run for a minimum of 2 consecutive workdays.
- 2nd and 3rd shift shall receive an additional 15% of the regular rate, per hour.
- Any "off hours" shift starting at 8:00 PM or later shall receive an additional 25% of the regular rate, per hour.

**OVERTIME:**

The first 2 hours in excess of 8 per day, after the regular workday that are not shift work, Monday through Friday, shall be paid at time and one-half the regular rate. Hours worked in excess of 10 per day, Monday through Friday, and all hours on Saturday, Sunday and holidays, shall be paid double the regular rate.  
Four 10 hour days may be worked, Monday through Thursday, at straight-time.

**RECOGNIZED HOLIDAYS:** New Year's Day, Presidents' Day, Good Friday, Memorial Day, July 4th, Labor Day, Presidential Election Day, Veterans Day, Thanksgiving Day, Christmas Day.



**NEW JERSEY DEPARTMENT OF LABOR AND WORKFORCE DEVELOPMENT  
PREVAILING WAGE RATE DETERMINATION**

**County - UNION**

**Craft: Tile Setter - Ceramic**

**PREVAILING WAGE RATE**

	12/08/16
Finisher	W43.36 B29.09 T72.45
Setter	W56.13 B32.39 T88.52

**Craft: Tile Setter - Ceramic**

**APPRENTICE RATE SCHEDULE**

INTERVAL	PERIOD AND RATES									
750 Hours	50%	55%	60%	65%	70%	75%	85%	95%	100%	

**Ratio of Apprentices to Journeymen - 1:4**

**Craft: Tile Setter - Ceramic**

**COMMENTS/NOTES**

**OVERTIME:**

Hours in excess of 7 per day, and the first 10 hours on Saturdays shall be paid at time and one-half the hourly rate. All hours on Saturdays after 10 hours shall be paid double the hourly rate. All hours on Sundays and holidays shall be paid at double the hourly rate.

**RECOGNIZED HOLIDAYS:** New Year's Day, Memorial Day, July 4th, Labor Day, Thanksgiving Day, Christmas Day.

**NEW JERSEY DEPARTMENT OF LABOR AND WORKFORCE DEVELOPMENT  
PREVAILING WAGE RATE DETERMINATION**

**County - UNION**

**Craft: Tile Setter - Marble**

**PREVAILING WAGE RATE**

	01/01/17	07/01/17	01/01/18
Tile Setter	W57.74 B34.26 T92.00	W58.18 B35.27 T93.45	W58.53 B36.37 T94.90

**Craft: Tile Setter - Marble**

**APPRENTICE RATE SCHEDULE**

INTERVAL	PERIOD AND RATES									
750 Hours	50%	55%	65%	70%	75%	85%	90%	95%		

**Ratio of Apprentices to Journeymen - 1:4**

**Craft: Tile Setter - Marble**

**COMMENTS/NOTES**

**OVERTIME:**

Hours in excess of 7 per day, Monday through Friday, and the first 7 hours on Saturdays shall be paid at time and one-half the regular rate, inclusive of benefits. Hours in excess of 7 on Saturdays, and all hours on Sundays and holidays shall be paid at double the regular rate, inclusive of benefits.

**RECOGNIZED HOLIDAYS:** New Year's Day, Presidents' Day, Good Friday, Memorial Day, July 4th, Labor Day, Columbus Day, Veterans' Day, Thanksgiving Day and the day after, Christmas Day. Sunday holidays observed the following Monday.



**NEW JERSEY DEPARTMENT OF LABOR AND WORKFORCE DEVELOPMENT  
PREVAILING WAGE RATE DETERMINATION**

**County - UNION**

**Craft: Tile Setter - Mosaic & Terrazzo**

**PREVAILING WAGE RATE**

	01/01/17
Grinder or Assistant	W50.86 B34.14 T85.00
Mechanic	W52.46 B34.16 T86.62

**Craft: Tile Setter - Mosaic & Terrazzo**

**APPRENTICE RATE SCHEDULE**

INTERVAL	PERIOD AND RATES									
750 Hours	50%	55%	65%	70%	75%	85%	90%	95%		

**Ratio of Apprentices to Journeymen - 1:5**

**Craft: Tile Setter - Mosaic & Terrazzo**

**COMMENTS/NOTES**

The regular workday consists of 7 hours, between 8:00 AM and 3:30 PM.

**OVERTIME:**

- Hours in excess of 7 per day, or before or after the regular workday, Monday through Friday, and all hours on Saturdays shall be paid at time and one-half the hourly rate. All hours on Sundays and holidays shall be paid at double the hourly rate.

**RECOGNIZED HOLIDAYS:** New Year's Day, Presidents' Day, Good Friday, Monday after Easter, Memorial Day, July 4th, Labor Day, Columbus Day, Veterans' Day, Thanksgiving Day and the day after, Christmas Day. Sunday holidays observed the following Monday.

**NEW JERSEY DEPARTMENT OF LABOR AND WORKFORCE DEVELOPMENT  
PREVAILING WAGE RATE DETERMINATION**

**County - UNION**

**Craft: Truck Driver**

**PREVAILING WAGE RATE**

	11/01/16	05/01/17	11/01/17	05/01/18	11/01/18
Bucket, Utility, Pick-up, Fuel Delivery trucks	W36.40 B33.01 T69.41	W36.83 B33.78 T70.61	W36.83 B34.58 T71.41	W37.26 B35.40 T72.66	W37.66 B35.80 T73.46
Dump truck, Asphalt Distributor, Tack Spreader	W36.40 B33.01 T69.41	W36.83 B33.78 T70.61	W36.83 B34.58 T71.41	W37.26 B35.40 T72.66	W37.66 B35.80 T73.46
Euclid-type vehicles (large, off-road equipment)	W36.55 B33.01 T69.56	W36.98 B33.78 T70.76	W36.98 B34.58 T71.56	W37.41 B35.40 T72.81	W37.81 B35.80 T73.61
Helper on Asphalt Distributor truck	W36.40 B33.01 T69.41	W36.83 B33.78 T70.61	W36.83 B34.58 T71.41	W37.26 B35.40 T72.66	W37.66 B35.80 T73.46
Slurry Seal, Seeding/Fertilizing/ Mulching truck	W36.40 B33.01 T69.41	W36.83 B33.78 T70.61	W36.83 B34.58 T71.41	W37.26 B35.40 T72.66	W37.66 B35.80 T73.46
Straight 3-axle truck	W36.45 B33.01 T69.46	W36.88 B33.78 T70.66	W36.88 B34.58 T71.46	W37.31 B35.40 T72.71	W37.71 B35.80 T73.51
Tractor Trailer (all types)	W36.55 B33.01 T69.56	W36.98 B33.78 T70.76	W36.98 B34.58 T71.56	W37.41 B35.40 T72.81	W37.81 B35.80 T73.61
Vacuum or Vac-All truck (entire unit)	W36.40 B33.01 T69.41	W36.83 B33.78 T70.61	W36.83 B34.58 T71.41	W37.26 B35.40 T72.66	W37.66 B35.80 T73.46
Winch Trailer	W36.65 B33.01 T69.66	W37.08 B33.78 T70.86	W37.08 B34.58 T71.66	W37.51 B35.40 T72.91	W37.91 B35.80 T73.71

**Craft: Truck Driver**

**COMMENTS/NOTES**

**BLENDED RATE:**

When a truck driver is performing work on the site and also serving as a material delivery driver, the driver shall be paid a "blended rate" which shall be 80% of the above-listed wage rates, plus the full benefit rate. This rate shall be used when the driver "round robins" for a minimum of 6 hours during the work day.

**HAZARDOUS WASTE REMOVAL:**

- On hazardous waste removal work on a State designated hazardous waste site where the driver is in direct contact with hazardous materials and when personal protective equipment is required for respiratory, skin, and eye protection, the driver shall receive an additional \$3.00 per hour (with or without protective gear).
- A hazardous waste related certified worker at a designated hazardous waste site who is not working in a zone requiring level A, B or C personal protection shall receive an additional \$1.00 per hour.

**TRUCK FOREMAN:** \$.75 cents per hour above regular rate. Overtime shall be increased accordingly.

**NEW JERSEY DEPARTMENT OF LABOR AND WORKFORCE DEVELOPMENT  
PREVAILING WAGE RATE DETERMINATION**

**County - UNION**

The regular workday shall be 8 hours, starting between 6:00 AM and 8:00 AM.

**SHIFT DIFFERENTIAL:**

- Shifts starting at 4:00 PM (2nd Shift): + \$2.50 per hour.
- Shifts starting at 12:00 AM (midnight/3rd Shift): time and one-half the hourly rate.
- Shifts starting at a time other than from 6:00 AM to 8:00 AM, when such hours are mandated by the project owner: + \$2.50 per hour.

**OVERTIME:**

- Hours in excess of 8 per day, or before or after the regular workday, Monday through Friday, that are not shift work, and all hours on Saturdays shall be paid at time and one-half the hourly rate. All hours on Sundays and holidays shall be paid at double the hourly rate.
- Employees may work four 10-hour days at straight time, Monday through Thursday, with Friday used as a make-up day for a lost day. If Friday is not a make-up day, then all hours on Friday shall be paid at time and one-half the hourly rate.

**RECOGNIZED HOLIDAYS:** New Year's Day, Presidents' Day, Memorial Day (Decoration Day), July 4th, Labor Day, Presidential Election Day, Veterans' Day, Thanksgiving Day, Christmas Day. Sunday holidays will be observed the following Monday. The day after Thanksgiving may be substituted for Veterans' Day.

**NEW JERSEY DEPARTMENT OF LABOR AND WORKFORCE DEVELOPMENT  
PREVAILING WAGE RATE DETERMINATION**

**County - UNION**

**Craft: Truck Driver-Material Delivery Driver**

**PREVAILING WAGE RATE**

	05/01/12
Driver	W22.90 B10.17 T33.07

**Craft: Truck Driver-Material Delivery Driver**

**COMMENTS/NOTES**

**BLENDED RATE:**

When a truck driver is performing work on the site and also serving as a material delivery driver, the driver shall be paid a "blended rate". See the "Truck Driver" craft for the blended rates.

Truck Foreman/Shop Steward: +\$0.25 per hour

**SHIFT DIFFERENTIALS:**

- 2nd Shift shall receive an additional \$0.50 per hour
- 3rd Shift shall receive time and one-half the hourly rate.

**OVERTIME:**

- Hours in excess of 8 per day, or before or after the regular workday that are not shift work, Monday through Friday, and all hours on Saturday shall be paid at time and one-half the hourly rate. All hours on Sunday and holidays shall be paid at double the hourly rate.

**RECOGNIZED HOLIDAYS:** New Year's Day, President's Day, Memorial Day (Decoration Day), July 4th, Labor Day, Presidential Election Day, Veterans' Day, Thanksgiving Day, Christmas Day. Sunday holidays will be observed the following Monday. The day after Thanksgiving may be substituted for Veterans' Day.

**NEW JERSEY DEPARTMENT OF LABOR AND WORKFORCE DEVELOPMENT  
PREVAILING WAGE RATE DETERMINATION**

**County - UNION**

**Craft: Welder**

**PREVAILING WAGE RATE**

Welder

**Craft: Welder**

**COMMENTS/NOTES**

Welders rate is the same as the craft to which the welding is incidental .

# STATEWIDE RATES

**OPERATING ENGINEERS**    **Rates Expiration Date : 06/30/2017**

{For apprentice rates refer to "Operating Engineers" apprentice rates in any county rate package}

The regular workday consists of 8 hours, Monday to Friday, between 6:00 AM and 4:30 PM.

**SHIFT DIFFERENTIALS:**

- Shift work must run for 5 consecutive workdays.
- When 2 shifts are worked, the second shift shall receive an additional 10% of the regular rate inclusive of benefits, per hour.
- When 3 shifts are worked, the second shift shall receive 8 hours pay for 7.5 hours of work, plus an additional 10% of the regular rate inclusive of benefits, per hour. The third shift shall receive 8 hours pay for 7 hours of work, plus an additional 15% of the regular rate inclusive of benefits, per hour.
- When such hours are mandated by the project owner, a shift that starts between 8:00 PM and midnight and ends by 6:00 AM Saturday, or that starts after 8:00 PM on Sunday, provided there are consecutive hours of work within the shift, shall receive an additional 15% of the regular rate, inclusive of benefits.
- On Highway, Road, Street, and Sewer projects irregular shifts starting between 5:00 PM and 12:00 AM may be worked Monday through Friday, and shall receive an additional 15% of the regular rate, inclusive of benefits. When working with other trades that receive a higher irregular shift rate, the Operating Engineer shall also receive the higher irregular shift rate.

**OVERTIME:**

- Hours in excess of 8 per day, or outside of the regular workday, Monday through Friday, that are not shift work, and all hours on Saturdays shall be paid at time and one-half the regular rate, inclusive of benefits. All hours on Sundays and holidays shall be paid at double the regular rate, inclusive of benefits.
- Four 10-hour days may be worked, Monday through Thursday, at straight time, with all hours on Friday paid at time and one-half the regular rate, inclusive of benefits.

**RECOGNIZED HOLIDAYS:** New Year's Day, Presidents' Day, Memorial Day, July 4th, Labor Day, Veterans' Day, Thanksgiving Day, Christmas Day. Sunday holidays observed the following Monday. When all trades on a particular job site agree, the day after Thanksgiving may be substituted for Veteran's Day.

On hazardous waste removal work or asbestos removal work, on a state or federally designated hazardous waste site, where the operating engineer is in direct contact with hazardous material and when personal protective equipment is required for respiratory, skin, and eye protection, the operating engineer shall receive an additional 20% of the hourly wage, per hour.

**OPERATING ENGINEERS**    **Rates Expiration Date : 06/30/2017**

**Effective Dates:**

**02/15/2017**

Rate	Fringe	Total
47.63	30.63	78.26

**CLASSIFICATIONS:**

- A-Frame
- Backhoe (combination)
- Boom Attachment on loaders (Except pipehook)
- Boring & Drilling Machine
- Brush Chopper, Brush Shredder, Tree Shredder
- Bulldozer, finish grade
- Cableway
- Carryall
- Concrete Pump
- Concrete Pumping System (Pumpcrete & similar types)
- Conveyor, 125 feet or longer
- Drill Doctor (Duties include dust collector and maintenance)
- Front End Loader (2 cu. yds. but less than 5 cu. yds.)
- Grader, finish
- Groove Cutting Machine (ride-on type)
- Heater Planer
- Hoist (all types including steam, gas, diesel, electric, air hydraulic, single and double drum, concrete, brick shaft caisson, snorkle roof, and other similar types, Except Chicago-boom type)
- Hydraulic Crane (10 tons & under)
- Hydro-Axe
- Hydro-Blaster
- Jack (screw, air hydraulic, power-operated unit, or console type, Except hand jack or pile load test type)
- Log Skidder



**OPERATING ENGINEERS**    **Rates Expiration Date : 06/30/2017**

**Effective Dates:**

**02/15/2017**

Rate	Fringe	Total
47.63	30.63	78.26

**CLASSIFICATIONS:**

- Pan
- Paver, concrete
- Plate & Frame Filter Press
- Pumpcrete (unit type)
- Pumpcrete, Squeezecrete, or Concrete Pumping machine (regardless of size)
- Scraper
- Side Boom
- Straddle Carrier (Ross and similar types)
- Vacuum Truck
- Whiphammer
- Winch Truck (hoisting)

**OPERATING ENGINEERS**    **Rates Expiration Date : 06/30/2017**

**Effective Dates:**

**02/15/2017**

Rate	Fringe	Total
45.72	30.63	76.35

**CLASSIFICATIONS:**

- Asphalt Curbing Machine
- Asphalt Plant Engineer
- Asphalt Spreader
- Autograde Curb Trimmer & Sidewalk Shoulder Slipform (CMI & similar types)
- Autograde Curecrete Machine (CMI & similar types)
- Autograde Tube Finisher & Texturing Machine (CMI & similar types)
- Bar Bending Machines (Power)
- Batcher, Batching Plant, & Crusher [On Site]
- Belt Conveyor System
- Boom-Type Skimmer Machine
- Bridge Deck Finisher
- Bulldozer (all sizes)
- Captain (Power Boats)
- Car Dumper (railroad)
- Compressor & Blower unit for loading/unloading of concrete, cement, fly ash, or similar type materials (used independently or truck-mounted)
- Compressor (2 or 3 battery)
- Concrete Breaking Machine
- Concrete Cleaning/Decontamination Machine
- Concrete Finishing Machine
- Concrete Saw or Cutter (ride-on type)
- Concrete Spreader (Hetzl, Rexomatic & similar types)
- Concrete Vibrator

**OPERATING ENGINEERS**    **Rates Expiration Date : 06/30/2017**

**Effective Dates:**

**02/15/2017**

Rate	Fringe	Total
45.72	30.63	76.35

**CLASSIFICATIONS:**

- Conveyors - under 125 feet
- Crane Signalman
- Crushing Machine
- Directional Boring Machine
- Ditching Machine - Small (Ditchwitch, Vermeer or similar types)
- Dope Pot - Mechanical (with or without pump)
- Dumpster
- Elevator
- Fireman
- Fork Lift (Economobile, Lull & similar types)
- Front End Loader (1 cu. yd. and over but less than 2 cu. yds.)
- Generator (2 or 3 battery)
- Giraffe Grinder
- Grader & Motor Patrols
- Grout Pump
- Gunnite Machine (Excluding nozzle)
- Hammer - Vibratory (in conjunction with generator)
- Heavy Equipment Robotics - Operator/Technician
- Hoist (roof, tugger, aerial platform hoist, house car)
- Hopper
- Hopper Doors (power operated)
- Ladder (motorized)
- Laddervator

**OPERATING ENGINEERS**    **Rates Expiration Date : 06/30/2017**

**Effective Dates:**

**02/15/2017**

Rate	Fringe	Total
45.72	30.63	76.35

**CLASSIFICATIONS:**

Locomotive (Dinky-type)

Maintenance Utility Man

Master Environmental Maintenance Technician

Mechanic

Mixer (Except paving mixers)

Pavement Breaker (truck-mounted or small self-propelled  
ride-on type)

Pavement Breaker - maintenance of compressor or hydraulic unit

Pipe Bending Machine (power)

Pitch Pump

Plaster Pump (regardless of size)

Post Hole Digger (post pounder, auger)

Roller (black top)

Scale (power)

Seamen Pulverizing Mixer

Shoulder Widener

Silo

Skimmer Machine (boom type)

Steel Cutting Machine (service & maintenance)

Tamrock Drill

Tractor

Transfer Machines

Tug Captains

Tug Master (Power Boats)

**OPERATING ENGINEERS**    **Rates Expiration Date : 06/30/2017**

**Effective Dates:**

**02/15/2017**

Rate	Fringe	Total
45.72	30.63	76.35

**CLASSIFICATIONS:**

Ultra High Pressure Waterjet Cutting Tool System -  
Operator/Maintenance Technician

Vacuum Blasting Machine - Operator/Maintenance Technician

Vibrating Plant (used with unloading)

Welder & Repair Mechanic

**Effective Dates:**

**02/15/2017**

Rate	Fringe	Total
42.38	30.63	73.01

**CLASSIFICATIONS:**

Assistant Engineer/Oiler

Driller's Helper

Field Engineer - Transit man or Instrument man

Maintenance Apprentice (Deckhand)

Maintenance Apprentice (Oiler)

Mechanic's Helper

Off Road Back Dump

**Effective Dates:**

**02/15/2017**

Rate	Fringe	Total
39.80	30.63	70.43

**CLASSIFICATIONS:**

Field Engineer - Rodman or Chainman

TERRITORY  
ENTIRE STATE

NEW JERSEY DEPARTMENT OF LABOR AND WORKFORCE DEVELOPMENT  
PREVAILING WAGE RATE DETERMINATION

OPERATING ENGINEERS     Rates Expiration Date : 06/30/2017

**Effective Dates:**

**02/15/2017**

Rate	Fringe	Total
49.96	30.63	80.59

**CLASSIFICATIONS:**

Lead Engineer, Foreman Engineer, Safety Engineer (minimum)

**OPERATING ENGINEERS**    **Rates Expiration Date : 06/30/2017**

**Effective Dates:**

**02/15/2017**

Rate	Fringe	Total
49.22	30.63	79.85

**CLASSIFICATIONS:**

- Autograde Pavement Profiler (CMI & similar types)
- Autograde Pavement Profiler - Recycle Type (CMI & similar types)
- Autograde Placer/Trimmer/Spreader Combination (CMI & similar types)
- Autograde Slipform Paver (CMI & similar types)
- Backhoe (Excavator)
- Central Power Plant
- Concrete Paving Machine
- Draglines
- Drill, Bauer, AMI and similar types
- Drillmaster, Quarrymaster
- Drillmaster/Quarrymaster (down-the-hole drill), rotary drill, self-propelled hydraulic drill, self-powered drill
- Elevator Grader
- Field Engineer-Chief of Party
- Front End Loader (5 cu. yards or larger)
- Gradall
- Grader, Rago
- Helicopter Co-Pilot
- Helicopter Communications Engineer
- Juntann Pile Driver
- Locomotive (large)
- Mucking Machine
- Pavement & Concrete Breaker (Superhammer & Hoe Ram)

**OPERATING ENGINEERS**    **Rates Expiration Date : 06/30/2017**

**Effective Dates:**

**02/15/2017**

Rate	Fringe	Total
49.22	30.63	79.85

**CLASSIFICATIONS:**

Pile Driver

Prentice Truck

Roadway Surface Grinder

Scooper (loader & shovel)

Shovel (Excavator)

Trackhoe (Excavator)

Tree Chopper with boom

Trenching Machine (cable plow)

Tunnel Boring Machine



**OPERATING ENGINEERS**    **Rates Expiration Date : 06/30/2017**

**Effective Dates:**

**02/15/2017**

Rate	Fringe	Total
44.09	30.63	74.72

**CLASSIFICATIONS:**

- Chipper
- Compressor (single)
- Concrete Spreader (small type)
- Conveyor Loader (Except elevator graders)
- Engines, Large Diesel (1620 HP) & Staging Pump
- Farm Tractor
- Fertilizing Equipment (operation & maintenance)
- Fine Grade Machine (small type)
- Form Line Grader (small type)
- Front End Loader (under 1 cubic yard)
- Generator (single)
- Grease, Gas, Fuel, & Oil Supply Trucks
- Heaters (Nelson or other type)
- Lights - portable generating light plant
- Mixer, Concrete (small)
- Mulching Equipment (operation & maintenance)
- Power Broom or Sweeper
- Pump (diesel engine & hydraulic - regardless of power)
- Pump (larger than 2 inch suction, including submersible pumps)
- Road Finishing Machine (small type)
- Roller - grade, fill, or stone base
- Seeding Equipment (operation & maintenance)
- Sprinkler & Water Pump Trucks

**OPERATING ENGINEERS**    **Rates Expiration Date : 06/30/2017**

**Effective Dates:**

**02/15/2017**

Rate	Fringe	Total
44.09	30.63	74.72

**CLASSIFICATIONS:**

Steam Generator or Boiler

Stone Spreader

Tamping Machine (vibrating ride-on type)

Temporary Heating Plant (Nelson or other type, including  
proprane, natural gas, and flow-type units)

Water or Sprinkler Truck

Welding Machine (gas, diesel, or electric convertor, of any type)

Welding System - Multiple (rectifier transformer type)

Wellpoint Systems (including installation by bull gang and  
maintenance)

**Effective Dates:**

**02/15/2017**

Rate	Fringe	Total
51.04	30.63	81.67

**CLASSIFICATIONS:**

Helicopter Pilot/Engineer

**Effective Dates:**

**02/15/2017**

Rate	Fringe	Total
55.72	30.63	86.35

**CLASSIFICATIONS:**

Cranes, Derricks, Pile Driver (all types), over 100 tons and TOWER CRANE with boom (including jib and/or leads) 140 ft. and over

**Effective Dates:**

**02/15/2017**

Rate	Fringe	Total
54.72	30.63	85.35

**CLASSIFICATIONS:**

Cranes, Derricks, Pile Driver (all types), over 100 tons and TOWER CRANE with boom (including jib and/or leads) from 100 ft. to 139 ft.

**OPERATING ENGINEERS**     **Rates Expiration Date : 06/30/2017**

**Effective Dates:**

**02/15/2017**

Rate	Fringe	Total
51.22	30.63	81.85

**CLASSIFICATIONS:**

Cranes, Derricks, Pile Driver (all types) , under 100 tons with a boom (including jib and/or leads) 140 ft. and over

**Effective Dates:**

**02/15/2017**

Rate	Fringe	Total
53.72	30.63	84.35

**CLASSIFICATIONS:**

Cranes, Derricks, Pile Driver (all types), over 100 tons and TOWER CRANE with a boom (including jib and/or leads) under 100 ft.

**Effective Dates:**

**02/15/2017**

Rate	Fringe	Total
50.22	30.63	80.85

**CLASSIFICATIONS:**

Cranes, Derricks, Pile Driver (all types), under 100 tons with a boom (including jib and/or leads) from 100 ft. to 139 ft.

STRUCTURAL STEEL ERECTION     Rates Expiration Date : 06/30/2017

{For apprentice rates refer to "Operating Engineers" apprentice rates in any county rate package}

The regular workday consists of 8 hours, Monday to Friday, between 6:00 AM and 4:30 PM.

**SHIFT DIFFERENTIALS:**

- Shift work must run for 5 consecutive workdays.
- When 2 shifts are worked, the second shift shall receive an additional 10% of the regular rate inclusive of benefits, per hour.
- When 3 shifts are worked, the second shift shall receive 8 hours pay for 7.5 hours of work, plus an additional 10% of the regular rate inclusive of benefits, per hour. The third shift shall receive 8 hours pay for 7 hours of work, plus an additional 15% of the regular rate inclusive of benefits, per hour.
- When such hours are mandated by the project owner, a shift that starts between 8:00 PM and midnight and ends by 6:00 AM Saturday, or that starts after 8:00 PM on Sunday, provided there are consecutive hours of work within the shift, shall receive an additional 15% of the regular rate, inclusive of benefits.
- On Highway, Road, Street, and Sewer projects irregular shifts starting between 5:00 PM and 12:00 AM may be worked Monday through Friday, and shall receive an additional 15% of the regular rate, inclusive of benefits. When working with other trades that receive a higher irregular shift rate, the Operating Engineer shall also receive the higher irregular shift rate.

**OVERTIME:**

- Hours in excess of 8 per day, or outside of the regular workday, Monday through Friday, that are not shift work, and all hours on Saturdays shall be paid at time and one-half the regular rate, inclusive of benefits. All hours on Sundays and holidays shall be paid at double the regular rate, inclusive of benefits.
- Four 10-hour days may be worked, Monday through Thursday, at straight time, with all hours on Friday paid at time and one-half the regular rate, inclusive of benefits.

**RECOGNIZED HOLIDAYS:** New Year's Day, Presidents' Day, Memorial Day, July 4th, Labor Day, Veterans' Day, Thanksgiving Day, Christmas Day. Sunday holidays observed the following Monday. When all trades on a particular job site agree, the day after Thanksgiving may be substituted for Veteran's Day.

On hazardous waste removal work or asbestos removal work, on a state or federally designated hazardous waste site, where the operating engineer is in direct contact with hazardous material and when personal protective equipment is required for respiratory, skin, and eye protection, the operating engineer shall receive an additional 20% of the hourly wage, per hour.

**Effective Dates:**

**02/15/2017**

Rate	Fringe	Total
52.85	30.63	83.48

**CLASSIFICATIONS:**

Helicopter Pilot or Engineer

**STRUCTURAL STEEL ERECTION**      **Rates Expiration Date : 06/30/2017**

**Effective Dates:**

**02/15/2017**

Rate	Fringe	Total
48.79	30.63	79.42

**CLASSIFICATIONS:**

A-Frame

Cherry Picker -10 tons or less (Over 10 tons use crane rate)

Hoist (all types Except Chicago-boom)

Jack (screw, air hydraulic, power-operated unit or console type, Except hand jack or pile load test type)

Side Boom

Straddle Carrier

**Effective Dates:**

**02/15/2017**

Rate	Fringe	Total
46.13	30.63	76.76

**CLASSIFICATIONS:**

Aerial Platform Used On Hoists

Apprentice Engineer/Oiler with Compressor or Welding Machine

Captain (Power Boats)

Compressor (2 or 3 in battery)

Conveyor or Tugger Hoist

Elevator or House Car

Fireman

Forklift

Generator (2 or 3)

Maintenance Utility Man

Tug Master (Power Boats)

Welding Machines, Gas or Electric Converters on any type-2 or 3 in battery including diesels

**STRUCTURAL STEEL ERECTION**      **Rates Expiration Date : 06/30/2017**

**Effective Dates:**

**02/15/2017**

Rate	Fringe	Total
44.60	30.63	75.23

**CLASSIFICATIONS:**

Compressor (Single)

Generators

Welding Machines, Gas, Diesel, Or Electric Converters of any type-single

Welding System, Multiple (Rectifier Transformer Type)

**Effective Dates:**

**02/15/2017**

Rate	Fringe	Total
42.84	30.63	73.47

**CLASSIFICATIONS:**

Assistant Engineer/Oiler

Drillers Helper

Field Engineer - Transit/Instrument Man

Maintenance Apprentice (Deckhand)

Maintenance Apprentice (Oiler)

**Effective Dates:**

**02/15/2017**

Rate	Fringe	Total
50.41	30.63	81.04

**CLASSIFICATIONS:**

Lead Engineer, Foreman Engineer, Safety Engineer (Minimum)

**Effective Dates:**

**02/15/2017**

Rate	Fringe	Total
39.80	30.63	70.43

**CLASSIFICATIONS:**

Field Engineer - Rodman or Chainman

**STRUCTURAL STEEL ERECTION**      **Rates Expiration Date : 06/30/2017**

**Effective Dates:**

**02/15/2017**

Rate	Fringe	Total
49.55	30.63	80.18

**CLASSIFICATIONS:**

Field Engineer-Chief of Party

**Effective Dates:**

**02/15/2017**

Rate	Fringe	Total
57.74	30.63	88.37

**CLASSIFICATIONS:**

Cranes (all cranes, land or floating with booms, including jib, 140 ft. and over, above ground). Derricks (all derricks, land, floating or Chicago Boom type with booms including jib, 140 ft. and over, above ground), and Pile Drivers (all types) over 100 tons and Tower Cranes.

**Effective Dates:**

**02/15/2017**

Rate	Fringe	Total
56.08	30.63	86.71

**CLASSIFICATIONS:**

Cranes (all cranes, land or floating with booms including jib, less than 140 ft. above ground), Derricks (all derricks, land, floating or Chicago Boom type with booms including jib, less than 140 ft. above ground), Pile Drivers (all types), over 100 tons and Tower Crane.

**Effective Dates:**

**02/15/2017**

Rate	Fringe	Total
53.24	30.63	83.87

**CLASSIFICATIONS:**

Cranes (all cranes, land or floating with booms including jib, 140 ft. and over, above ground), Derricks (all derricks, land, floating or Chicago Boom type with booms including jib, 140 ft. and over, above ground), Pile Drivers (all types), under 100 tons.

**Effective Dates:**

**02/15/2017**

Rate	Fringe	Total
51.58	30.63	82.21

**CLASSIFICATIONS:**

Cranes (all cranes, land or floating with booms including jib, less than 140 ft. above ground), Derricks (all derricks, land, floating or Chicago Boom type with booms including jib, less than 140 ft. above ground), Pile Drivers (all types), under 100 tons.

TERRITORY  
ENTIRE STATE

NEW JERSEY DEPARTMENT OF LABOR AND WORKFORCE DEVELOPMENT  
PREVAILING WAGE RATE DETERMINATION

STRUCTURAL STEEL ERECTION      Rates Expiration Date : 06/30/2017

**Effective Dates:**

**02/15/2017**

Rate	Fringe	Total
53.24	30.63	83.87

**CLASSIFICATIONS:**

Helicopter Co-Pilot

Helicopter Communications Engineer



**TEST BORING PRELIMINARY TO CONSTRUCTION-SOUTH/WEST**      **Rates Expiration Date : 06/30/2017**

THESE RATES APPLY IN THE FOLLOWING COUNTIES ONLY:

Atlantic, Burlington, Camden, Cape May, Cumberland, Gloucester, Hunterdon, Mercer, Monmouth, Ocean, Salem, Sussex, Warren

The regular workday consists of 8 hours, Monday to Friday, between 6:00 AM and 4:30 PM.

**SHIFT DIFFERENTIALS:**

- Shift work must run for 5 consecutive workdays.
- When 2 shifts are worked, the second shift shall receive an additional 10% of the regular rate inclusive of benefits, per hour.
- When 3 shifts are worked, the second shift shall receive 8 hours pay for 7.5 hours of work, plus an additional 10% of the regular rate inclusive of benefits, per hour. The third shift shall receive 8 hours pay for 7 hours of work, plus an additional 15% of the regular rate inclusive of benefits, per hour.
- When such hours are mandated by the project owner, a shift that starts between 8:00 PM and midnight and ends by 6:00 AM Saturday, or that starts after 8:00 PM on Sunday, provided there are consecutive hours of work within the shift, shall receive an additional 15% of the regular rate, inclusive of benefits.
- On Highway, Road, Street, and Sewer projects irregular shifts starting between 5:00 PM and 12:00 AM may be worked Monday through Friday, and shall receive an additional 15% of the regular rate, inclusive of benefits. When working with other trades that receive a higher irregular shift rate, the Operating Engineer shall also receive the higher irregular shift rate.

**OVERTIME:**

- Hours in excess of 8 per day, or outside of the regular workday, Monday through Friday, that are not shift work, and all hours on Saturdays shall be paid at time and one-half the regular rate, inclusive of benefits. All hours on Sundays and holidays shall be paid at double the regular rate, inclusive of benefits.
- Four 10-hour days may be worked, Monday through Thursday, at straight time, with all hours on Friday paid at time and one-half the regular rate, inclusive of benefits.

**RECOGNIZED HOLIDAYS:** New Year's Day, Presidents' Day, Memorial Day, July 4th, Labor Day, Veterans' Day, Thanksgiving Day, Christmas Day. Sunday holidays observed the following Monday. When all trades on a particular job site agree, the day after Thanksgiving may be substituted for Veteran's Day.

On hazardous waste removal work or asbestos removal work, on a state or federally designated hazardous waste site, where the operating engineer is in direct contact with hazardous material and when personal protective equipment is required for respiratory, skin, and eye protection, the operating engineer shall receive an additional 20% of the hourly wage, per hour.

**Effective Dates:**

**02/15/2017**

Rate	Fringe	Total
49.22	30.63	79.85

**CLASSIFICATIONS:**

Driller

**Effective Dates:**

**02/15/2017**

Rate	Fringe	Total
42.38	30.63	73.01

**CLASSIFICATIONS:**

Driller's Helper

**FREE AIR TUNNEL JOBS**     **Rates Expiration Date : 08/31/2017**

{For apprentice rates refer to "Heavy & General" apprentice rates in any county rate package}

The regular workday consists of 8 hours, starting at 7:00 AM or 8:00 AM.

**SHIFT DIFFERENTIALS:**

- Shifts must start at 3:00 PM, 4:00 PM, 12:00 AM, or 1:00 AM, to be considered shift work, except when the project owner mandates special hours of work in the job specifications, in which case those hours may be considered shift work.
- When such hours are mandated by the project owner, a shift that begins before midnight on Friday and ends on Saturday morning, or that begins at or after 8:00 PM on Sunday and ends on Monday morning may be paid at the shift differential rate.
- Shifts shall receive an additional \$2.50 per hour.

**OVERTIME:**

- Hours in excess of 8 per day, Monday through Friday, or outside of the regular workday that are not shift work, and all hours on Saturdays, shall be paid at time and one-half the hourly rate. All hours on Sundays and holidays shall be paid at double the hourly rate.
- Four 10-hour days may be worked, Monday through Thursday, at straight time, with Friday used as a make-up day for a day lost to inclement weather. If Friday is not a make-up day, all hours on Friday shall be paid at time and one-half the hourly rate.

**RECOGNIZED HOLIDAYS:** New Year's Day, Presidents' Day, Memorial Day, July 4th, Labor Day, Presidential Election Day, Veterans' Day, Thanksgiving Day, Christmas Day. Sunday holidays observed the following Monday. Veterans Day may be substituted for the day after Thanksgiving. However, in the trading of Veterans Day for the day after Thanksgiving, if overtime is worked on Veterans Day, it shall be paid at double the hourly rate.

**Hazardous Waste Work:**

- where Level A, B, or C protection is required: + \$3.00/hr
- other Hazardous Waste site: + \$1.00/hr

**Effective Dates:**

**03/01/2017**

Rate	Fringe	Total
41.50	29.03	70.53

**CLASSIFICATIONS:**

Walking Boss & Superintendent

**Effective Dates:**

**03/01/2017**

Rate	Fringe	Total
41.20	29.03	70.23

**CLASSIFICATIONS:**

Heading Foreman, Shaft Foreman, Rod Foreman, Electrician Foreman, Rigging Foreman

**FREE AIR TUNNEL JOBS**      **Rates Expiration Date : 08/31/2017**

**Effective Dates:**

**03/01/2017**

Rate	Fringe	Total
40.70	29.03	69.73

**CLASSIFICATIONS:**

Iron Foreman, Caulking Foreman, Form Foreman, Cement Finishing Foreman, Concrete Foreman, Track Foreman, Cleanup Foreman, Grout Foreman

**Effective Dates:**

**03/01/2017**

Rate	Fringe	Total
43.20	29.03	72.23

**CLASSIFICATIONS:**

Blaster

**Effective Dates:**

**03/01/2017**

Rate	Fringe	Total
40.15	29.03	69.18

**CLASSIFICATIONS:**

Top Labor Foreman

**Effective Dates:**

**03/01/2017**

Rate	Fringe	Total
39.80	29.03	68.83

**CLASSIFICATIONS:**

Skilled Men (including Caulker, Powder Carrier, all other skilled men)

Skilled Men (including Miner, Drill Runner, Iron Man, Conveyor Man, Manitenance Man, Safety Miner, Rigger, Block Layer, Cement Finisher, Tod Man)

**Effective Dates:**

**03/01/2017**

Rate	Fringe	Total
39.65	29.03	68.68

**CLASSIFICATIONS:**

Semi-Skilled Men (including Bell or Signal Man Top or Bottom, Form Worker & Mover, Concrete Worker, Shaft Man, Tunnel Laborer, Caulker's Helper, all other semi-skilled)

Semi-Skilled Men (including Miner's Helper, Chuck Tender, Track Man, Nipper, Brake Man, Derail Man, Cable Man, Hose Man, Gravel Man, Form Man)

TERRITORY  
ENTIRE STATE

NEW JERSEY DEPARTMENT OF LABOR AND WORKFORCE DEVELOPMENT  
PREVAILING WAGE RATE DETERMINATION

FREE AIR TUNNEL JOBS      Rates Expiration Date : 08/31/2017

**Effective Dates:**

**03/01/2017**

Rate	Fringe	Total
39.15	29.03	68.18

**CLASSIFICATIONS:**

All Others (including Powder Watchman, Change House Attendant, Top Laborer)

**DRILL FOR GROUND WATER SUPPLY**     **Rates Expiration Date : 06/30/2017**

The well driller and/or helper may perform all work relative to the construction, finishing, and servicing of wells, pumps and borings for ground water supply. The present methods of well drilling entailing as they do, many diverse job operations calling for drilling, pump discharge, piping, and the operation of various types of related power equipment, shall all be within the job duties and functions of the well driller and/or helper. In the event that an extension of work should occur beyond water well drilling functions, into the field of general construction work, such extension of work would come under the appropriate rates listed elsewhere in this wage determination.

- For Work Hours, Shift Differentials, Overtime Rates, and Recognized Holidays see the "Operating Engineers" section of this wage determination.

**Effective Dates:**

**02/15/2017**

Rate	Fringe	Total
47.97	30.63	78.60

**CLASSIFICATIONS:**

Driller

**Effective Dates:**

**02/15/2017**

Rate	Fringe	Total
41.13	30.63	71.76

**CLASSIFICATIONS:**

Driller's Helper

**OPERATING ENGINEERS MARINE-DREDGING**     **Rates Expiration Date : 09/30/2018**

NOTE: Boat crews carrying explosive material (dynamite, pourfex, and other similar materials) shall be paid at 120% of the hourly wage rate for hours engaged in handling of said materials. Employees required to possess a Hazardous Material Certification as a condition of employment shall be compensated at 120% of the hourly wage rate.

**OVERTIME:**

Hours in excess of 40 per week, and all hours on Saturdays and Sundays, shall be paid at time and one-half the hourly rate. All hours on holidays shall be paid at double the hourly rate.

RECOGNIZED HOLIDAYS: New Year's Day, Martin Luther King Day, Good Friday, Memorial Day, July 4th, Labor Day, Veterans' Day, Thanksgiving Day, Christmas Day. Sunday holidays observed the following Monday.

**Effective Dates:**

10/01/2016			10/01/2017
Rate	Fringe	Total	Total
37.25	13.78	51.03	52.51

**CLASSIFICATIONS:**

Lead Dredgerman, Operator, Leverman

Licensed Tug Operator (over 1000 HP)

**Effective Dates:**

10/01/2016			10/01/2017
Rate	Fringe	Total	Total
32.22	13.38	45.60	46.95

**CLASSIFICATIONS:**

Derrick Operator, Spider/Spill Barge Operator

Engineer, Electrician, Chief Welder, Chief Mate

Fill Placer, Operator II

Licensed Boat Operator

Maintenance Engineer

**Effective Dates:**

10/01/2016			10/01/2017
Rate	Fringe	Total	Total
30.33	13.23	43.56	44.86

**CLASSIFICATIONS:**

Certified Welder

TERRITORY  
ENTIRE STATE

NEW JERSEY DEPARTMENT OF LABOR AND WORKFORCE DEVELOPMENT  
PREVAILING WAGE RATE DETERMINATION

**OPERATING ENGINEERS MARINE-DREDGING**      **Rates Expiration Date : 09/30/2018**

**Effective Dates:**

<b>10/01/2016</b>			<b>10/01/2017</b>
Rate	Fringe	Total	Total
29.50	12.86	42.36	43.64

**CLASSIFICATIONS:**

Mate, Drag Barge Operator, Steward, Assistant Fill Placer

Welder

**Effective Dates:**

<b>10/01/2016</b>			<b>10/01/2017</b>
Rate	Fringe	Total	Total
28.54	12.78	41.32	42.58

**CLASSIFICATIONS:**

Boat Operator

**Effective Dates:**

<b>10/01/2016</b>			<b>10/01/2017</b>
Rate	Fringe	Total	Total
23.71	12.10	35.81	36.92

**CLASSIFICATIONS:**

Shoreman, Deckhand, Rodman, Scowman

MICROSURFACING/SLURRY SEAL     Rates Expiration Date : 02/28/2018

THESE RATES APPLY IN THE FOLLOWING COUNTIES ONLY:

Atlantic, Burlington, Camden, Cape May, Cumberland, Gloucester, Mercer, Ocean, Salem

\*\*\*IN ALL OTHER COUNTIES use the Heavy and General Laborers - North "Slurry Seal Laborer" rates.\*\*\*

SHIFT DIFFERENTIALS:

Any shift starting at 3:30 PM or later shall receive an additional \$0.35/hr

OVERTIME:

Hours in excess of 8 per day or 40 per week shall be paid at time and one-half the hourly rate. All hours on holidays shall be paid at double the hourly rate.

RECOGNIZED HOLIDAYS: New Year's Day, Washington's Birthday, Memorial Day, July 4th, Labor Day, Presidential Election Day, Veterans' Day, Thanksgiving Day, Christmas Day.

**Effective Dates:**

**03/01/2017**

Rate	Fringe	Total
36.50	21.27	57.77

**CLASSIFICATIONS:**

Foreman

**Effective Dates:**

**03/01/2017**

Rate	Fringe	Total
33.80	21.27	55.07

**CLASSIFICATIONS:**

Box man

**Effective Dates:**

**03/01/2017**

Rate	Fringe	Total
31.75	21.27	53.02

**CLASSIFICATIONS:**

Microsurface/Slurry Preparation

**Effective Dates:**

**03/01/2017**

Rate	Fringe	Total
31.75	21.27	53.02

**CLASSIFICATIONS:**

Squeegee man



TERRITORY  
ENTIRE STATE

NEW JERSEY DEPARTMENT OF LABOR AND WORKFORCE DEVELOPMENT  
PREVAILING WAGE RATE DETERMINATION

MICROSURFACING/SLURRY SEAL      Rates Expiration Date : 02/28/2018

**Effective Dates:**

**03/01/2017**

Rate	Fringe	Total
30.30	21.27	51.57

**CLASSIFICATIONS:**

Cleaner, Taper

ASPHALT LABORERS - SOUTH    Rates Expiration Date : 08/31/2017

"THESE RATES APPLY IN THE FOLLOWING COUNTIES ONLY: Atlantic, Burlington, Camden, Cape May, Cumberland, Gloucester, Mercer, Ocean, Salem

{For apprentice rates refer to "Laborer - Heavy & General" apprentice rates in any county rate package}

The regular workday consists of 8 hours, starting at 7:00 AM or 8:00 AM.

SHIFT DIFFERENTIALS:

- Shifts must start at 3:00 PM, 4:00 PM, 12:00 AM, or 1:00 AM, to be considered shift work, except when the project owner mandates special hours of work in the job specifications, in which case those hours may be considered shift work.
- When such hours are mandated by the project owner, a shift that begins before midnight on Friday and ends on Saturday morning, or that begins at or after 8:00 PM on Sunday and ends on Monday morning may be paid at the shift differential rate.
- Shifts shall receive an additional \$2.50 per hour.

OVERTIME:

- Hours in excess of 8 per day, Monday through Friday, or outside of the regular workday that are not shift work, and all hours on Saturdays, shall be paid at time and one-half the hourly rate. All hours on Sundays and holidays shall be paid at double the hourly rate.
- Four 10-hour days may be worked, Monday through Thursday, at straight time, with Friday used as a make-up day for a day lost to inclement weather. If Friday is not a make-up day, all hours on Friday shall be paid at time and one-half the hourly rate.

RECOGNIZED HOLIDAYS: New Year's Day, Presidents' Day, Memorial Day, July 4th, Labor Day, Presidential Election Day, Veterans' Day, Thanksgiving Day, Christmas Day. Sunday holidays observed the following Monday. Veterans Day may be substituted for the day after Thanksgiving. However, in the trading of Veterans Day for the day after Thanksgiving, if overtime is worked on Veterans Day, it shall be paid at double the hourly rate.

Hazardous Waste Work:

- where Level A, B, or C protection is required: + \$3.00/hr
- other Hazardous Waste site: + \$1.00/hr

**Effective Dates:**

**03/01/2017**

Rate	Fringe	Total
41.00	29.03	70.03

**CLASSIFICATIONS:**

Paving Foreman

**Effective Dates:**

**03/01/2017**

Rate	Fringe	Total
39.55	29.03	68.58

**CLASSIFICATIONS:**

Head Raker

**Effective Dates:**

**03/01/2017**

Rate	Fringe	Total
39.40	29.03	68.43

**CLASSIFICATIONS:**

Raker, Screedman, Luteman

TERRITORY  
ENTIRE STATE

NEW JERSEY DEPARTMENT OF LABOR AND WORKFORCE DEVELOPMENT  
PREVAILING WAGE RATE DETERMINATION

ASPHALT LABORERS - SOUTH    Rates Expiration Date : 08/31/2017

**Effective Dates:**

**03/01/2017**

Rate	Fringe	Total
39.15	29.03	68.18

**CLASSIFICATIONS:**

Tampers, Smoothers, Kettlemen,  
Painters, Shovelers, Roller Boys

**Effective Dates:**

**03/01/2017**

Rate	Fringe	Total
39.25	29.03	68.28

**CLASSIFICATIONS:**

Milling Controller

**Effective Dates:**

**03/01/2017**

Rate	Fringe	Total
39.45	29.03	68.48

**CLASSIFICATIONS:**

Traffic Control Coordinator

**TEST BORING PRELIMINARY TO CONSTRUCTION-NORTH**      **Rates Expiration Date : 10/16/2018**

THESE RATES APPLY IN THE FOLLOWING COUNTIES ONLY:  
Bergen, Essex, Hudson, Middlesex, Morris, Passaic, Somerset, Union

**SHIFT DIFFERENTIAL:**

Employees on a shift other than between the hours of 8:00 AM and 5:00 PM shall receive an additional \$1.00 per hour.

**OVERTIME:**

Hours in excess of 8 per day, Monday through Friday, and all hours on Saturday shall be paid at time and one-half the regular rate. All hours on Sundays and holidays shall be paid at double the regular rate.

**RECOGNIZED HOLIDAYS:** New Year's Day, Memorial Day, July 4th, Labor Day, Thanksgiving Day, and Christmas Day. Sunday holidays observed the following Monday.

Hazardous Waste Pay (for Levels A, B, and C): an additional 10% of the hourly rate, per hour.

A newly hired Helper with no experience in the industry shall be paid as follows:

- 1st year on the job - 70% of Helper wage rate
- 2nd year on the job - 80% of Helper wage rate
- 3rd year on the job - 90% of Helper wage rate
- All helpers receive full fringe benefit rate.

**Effective Dates:**

<b>11/01/2016</b>			<b>10/17/2017</b>
Rate	Fringe	Total	Total
30.96	24.76	55.72	57.17

**CLASSIFICATIONS:**

Helper (4th year helper)

**Effective Dates:**

<b>11/01/2016</b>			<b>10/17/2017</b>
Rate	Fringe	Total	Total
38.82	24.76	63.58	65.24

**CLASSIFICATIONS:**

Driller

**Effective Dates:**

<b>11/01/2016</b>			<b>10/17/2017</b>
Rate	Fringe	Total	Total
44.64	24.76	69.40	71.28

**CLASSIFICATIONS:**

Foreman

**HEAVY & GENERAL LABORERS - NORTH**     **Rates Expiration Date : 08/31/2017**

THESE RATES APPLY IN THE FOLLOWING COUNTIES ONLY:

Bergen, Essex, Hudson, Hunterdon, Middlesex, Monmouth, Morris, Passaic, Somerset, Sussex, Union, Warren

{For apprentice rates refer to "Laborer - Heavy & General" apprentice rates in any county rate package}

The regular workday consists of 8 hours, starting at 7:00 AM or 8:00 AM.

**SHIFT DIFFERENTIALS:**

- Shifts must start at 3:00 PM, 4:00 PM, 12:00 AM, or 1:00 AM, to be considered shift work, except when the project owner mandates special hours of work in the job specifications, in which case those hours may be considered shift work.
- When such hours are mandated by the project owner, a shift that begins before midnight on Friday and ends on Saturday morning, or that begins at or after 8:00 PM on Sunday and ends on Monday morning may be paid at the shift differential rate.
- Shifts shall receive an additional \$2.50 per hour.

**OVERTIME:**

- Hours in excess of 8 per day, Monday through Friday, or outside of the regular workday that are not shift work, and all hours on Saturdays, shall be paid at time and one-half the hourly rate. All hours on Sundays and holidays shall be paid at double the hourly rate.
- Four 10-hour days may be worked, Monday through Thursday, at straight time, with Friday used as a make-up day for a day lost to inclement weather. If Friday is not a make-up day, all hours on Friday shall be paid at time and one-half the hourly rate.

**RECOGNIZED HOLIDAYS:** New Year's Day, Presidents' Day, Memorial Day, July 4th, Labor Day, Presidential Election Day, Veterans' Day, Thanksgiving Day, Christmas Day. Sunday holidays observed the following Monday. Veterans Day may be substituted for the day after Thanksgiving. However, in the trading of Veterans Day for the day after Thanksgiving, if overtime is worked on Veterans Day, it shall be paid at double the hourly rate.

**Hazardous Waste Work:**

- where Level A, B, or C protection is required: + \$3.00/hr
- other Hazardous Waste site: + \$1.00/hr

**Effective Dates:**

**03/01/2017**

Rate	Fringe	Total
38.75	29.03	67.78

**CLASSIFICATIONS:**

**"D" Rate:**

basic, landscape, asphalt, slurry seal, or railroad track laborer; utility meter installer; traffic director/flagman; salamander tender; pitman; dumpman; rakers or tampers on cold patch work; wrappers or coaters of pipe; waterproofer; timberman; wagon drill or drill master helper; powder carrier; magazine tender; signal man; power buggy operator; tree cutter; operator of basic power tools

**Effective Dates:**

**03/01/2017**

Rate	Fringe	Total
39.45	29.03	68.48

**CLASSIFICATIONS:**

**"C" Rate:**

pipe layer; laser man; conduit or duct line layer; operator of jack hammer, chipping hammer, pavement breaker, concrete cutter, asphalt cutter, sheet hammer, or walk-behind saw cutter; sandblaster; acetylene cutting or burning; wagon drill, directional drill, or hydraulic drill operator; drill master; core driller; traffic control coordinator; asphalt raker or lute man

**HEAVY & GENERAL LABORERS - NORTH**      **Rates Expiration Date : 08/31/2017**

**Effective Dates:**

**03/01/2017**

Rate	Fringe	Total
39.70	29.03	68.73

**CLASSIFICATIONS:**

"B" Rate:

concrete finisher; setter of brick or stone pavers; stone cutter; form setter; manhole, catch basin, or inlet builder; asphalt screedman; rammer; hardscaping; gunite nozzle man

**Effective Dates:**

**03/01/2017**

Rate	Fringe	Total
43.25	29.03	72.28

**CLASSIFICATIONS:**

"A" Rate:

blaster

**Effective Dates:**

**03/01/2017**

Rate	Fringe	Total
41.00	29.03	70.03

**CLASSIFICATIONS:**

"FOREMAN" Rate:

labor foreman, asphalt foreman, drill foreman, pipe foreman, grade foreman, finisher foreman, concrete foreman

**Effective Dates:**

**03/01/2017**

Rate	Fringe	Total
42.00	29.03	71.03

**CLASSIFICATIONS:**

"GENERAL FOREMAN" Rate

**HEAVY & GENERAL LABORERS - SOUTH**    **Rates Expiration Date : 08/31/2017**

THESE RATES APPLY IN THE FOLLOWING COUNTIES ONLY:

Atlantic, Burlington, Camden, Cape May, Cumberland, Gloucester, Mercer, Ocean, Salem

{For apprentice rates refer to "Laborer - Heavy & General" apprentice rates in any county rate package}

The regular workday consists of 8 hours, starting at 7:00 AM or 8:00 AM.

**SHIFT DIFFERENTIALS:**

- Shifts must start at 3:00 PM, 4:00 PM, 12:00 AM, or 1:00 AM, to be considered shift work, except when the project owner mandates special hours of work in the job specifications, in which case those hours may be considered shift work.
- When such hours are mandated by the project owner, a shift that begins before midnight on Friday and ends on Saturday morning, or that begins at or after 8:00 PM on Sunday and ends on Monday morning may be paid at the shift differential rate.
- Shifts shall receive an additional \$2.50 per hour.

**OVERTIME:**

- Hours in excess of 8 per day, Monday through Friday, or outside of the regular workday that are not shift work, and all hours on Saturdays, shall be paid at time and one-half the hourly rate. All hours on Sundays and holidays shall be paid at double the hourly rate.
- Four 10-hour days may be worked, Monday through Thursday, at straight time, with Friday used as a make-up day for a day lost to inclement weather. If Friday is not a make-up day, all hours on Friday shall be paid at time and one-half the hourly rate.

**RECOGNIZED HOLIDAYS:** New Year's Day, Presidents' Day, Memorial Day, July 4th, Labor Day, Presidential Election Day, Veterans' Day, Thanksgiving Day, Christmas Day. Sunday holidays observed the following Monday. Veterans Day may be substituted for the day after Thanksgiving. However, in the trading of Veterans Day for the day after Thanksgiving, if overtime is worked on Veterans Day, it shall be paid at double the hourly rate.

**Hazardous Waste Work:**

- where Level A, B, or C protection is required: + \$3.00/hr
- other Hazardous Waste site: + \$1.00/hr

**Effective Dates:**

**03/01/2017**

Rate	Fringe	Total
38.75	29.03	67.78

**CLASSIFICATIONS:**

basic, landscape, or railroad track laborer; utility meter installer; traffic director/flagman; salamander tender; pitman; dumpman; rakers or tampers on cold patch work; wrappers or coaters of pipe; waterproofers

tree cutter, timberman

**Effective Dates:**

**03/01/2017**

Rate	Fringe	Total
39.45	29.03	68.48

**CLASSIFICATIONS:**

wagon drill or drill master helper; powder carrier; magazine tender; signal man

**HEAVY & GENERAL LABORERS - SOUTH**      **Rates Expiration Date : 08/31/2017**

**Effective Dates:**

**03/01/2017**

Rate	Fringe	Total
39.45	29.03	68.48

**CLASSIFICATIONS:**

pipe layer; laser man; conduit or duct line layer; operator of jack hammer, chipping hammer, pavement breaker, concrete cutter, asphalt cutter, sheet hammer, or walk-behind saw cutter; sandblaster; acetylene cutting or burning

**Effective Dates:**

**03/01/2017**

Rate	Fringe	Total
39.45	29.03	68.48

**CLASSIFICATIONS:**

wagon or directional drill operator; drill master

**Effective Dates:**

**03/01/2017**

Rate	Fringe	Total
43.25	29.03	72.28

**CLASSIFICATIONS:**

blaster

**Effective Dates:**

**03/01/2017**

Rate	Fringe	Total
41.00	29.03	70.03

**CLASSIFICATIONS:**

labor foreman, drill foreman, pipe foreman, grade foreman, finisher foreman, concrete foreman

**Effective Dates:**

**03/01/2017**

Rate	Fringe	Total
42.00	29.03	71.03

**CLASSIFICATIONS:**

general foreman



TERRITORY  
ENTIRE STATE

NEW JERSEY DEPARTMENT OF LABOR AND WORKFORCE DEVELOPMENT  
PREVAILING WAGE RATE DETERMINATION

**HEAVY & GENERAL LABORERS - SOUTH**      **Rates Expiration Date : 08/31/2017**

**Effective Dates:**

**03/01/2017**

Rate	Fringe	Total
39.70	29.03	68.73

**CLASSIFICATIONS:**

concrete finisher; setter of brick or stone pavers; stone cutter; form setter; manhole, catch basin, or inlet builder; rammer; gunite nozzle man

PIPELINE - MAINLINE TRANSMISSION     Rates Expiration Date : 06/04/2017

These rates apply to the following: welding on Transportation Mainline pipe lines (cross-country pipe lines, or any segments thereof, transporting coal, gas, oil, water or other transportable materials, vapors or liquids, including portions of such pipe lines within private property boundaries up to the final metering station or connection - the point where a valve, consumer connection, or town border station divides mainline transmission lines or higher pressure lateral and branch lines from lower pressure distribution systems).

PER DIEM PAYMENT:

In addition to the total wage rate paid for each craft, the following per diem (per day) amounts must also be paid - Pipeline Journeyman: \$42.50; Pipeline Journeyman Welder: \$102.50; and Pipeline Helper: \$42.50. Note: in order to receive the per diem payment an employee must work a minimum of 8 hours in a 24 hour period.

NOTES:

- Journeymen employed as "stringer bead" welders and journeymen who are regularly employed as "hot-pass" welders shall receive \$1.00 per hour more than other journeymen.
- Welders running "stringer bead" or "hot-pass" on "cutouts" or "tie-ins" on a production basis shall be paid \$1.00 per hour above the journeymen rate.
- Whenever a welder helper is employed using a power buffer or power grinder immediately behind the stringer bead and/or hot-pass welders, and the pipe gang is set on a production basis, the helper shall be paid \$2.00 per hour above the helper rate.
- If back welding is performed inside a pipe under either or both of the following conditions, the welder engaged in the welding will receive \$3.00 per hour above the regular rate for the job only for the days on which such back welding is performed:
  - The employer elects, as a regular procedure, to back weld each line-up. This condition is not intended to apply to occasional back welding performed by the pipe gang to repair a bead, to rectify a "high-lo" condition or wall thickness, etc.
  - A welder is required to back weld a completed weld behind the firing line.
- If the welder helper is required to go inside the pipe for the purpose of brushing, buffing and grinding the weld, they shall receive a wage rate \$1.00 per hour above the regular helper rate for the days involved.
- Welders working on "hot work" shall be paid \$2.00 per hour above the regular rate for each day engaged in such work. "Hot work" is defined as work on lines in service where there is the danger of fire or explosion.

The regular workday shall be 8 hours, between 8:00 AM and 4:30 PM.

OVERTIME:

Hours in excess of 8 per day, and all hours on Sundays shall be paid at time and one-half the regular rate, inclusive of benefits. All hours on holidays shall be paid at double the regular rate, inclusive of benefits.

RECOGNIZED HOLIDAYS: New Year's Day, July 4th, Labor Day, Thanksgiving Day, and Christmas Day. Sunday holidays observed the following Monday.

**Effective Dates:**

**06/01/2016**

Rate	Fringe	Total
54.56	26.59	81.15

**CLASSIFICATIONS:**

Pipeline Journeyman Welder

TERRITORY  
ENTIRE STATE

NEW JERSEY DEPARTMENT OF LABOR AND WORKFORCE DEVELOPMENT  
PREVAILING WAGE RATE DETERMINATION

PIPELINE - MAINLINE TRANSMISSION      Rates Expiration Date : 06/04/2017

**Effective Dates:**

**06/01/2016**

Rate	Fringe	Total
54.56	26.59	81.15

**CLASSIFICATIONS:**

Pipeline Journeyman

**Effective Dates:**

**06/01/2016**

Rate	Fringe	Total
32.99	18.73	51.72

**CLASSIFICATIONS:**

Pipeline Helper

**PIPELINE - GAS DISTRIBUTION**     **Rates Expiration Date : 10/31/2017**

These rates apply to the following: welding on gas line distribution systems (that portion of the gas distribution system placed in streets, roads, subways, tunnels, viaducts, highways and easements which serves the users of gas).

**SHIFT DIFFERENTIALS:**

An "irregular" shift may start any time from 5:00 PM to 12:00 AM, Monday through Friday, and shall receive an additional 15% of the regular rate per hour, inclusive of benefits.

**OVERTIME:**

Hours in excess of forty per week, and all hours on Saturdays shall be paid at time and one-half the regular rate, inclusive of benefits. All hours on Sundays and holidays shall be paid at double the regular rate, inclusive of benefits.

**RECOGNIZED HOLIDAYS:** New Year's Day, Memorial Day, July 4th, Labor Day, Thanksgiving Day, and Christmas Day. Sunday holidays observed the following Monday.

**Effective Dates:**

**11/01/2016**

Rate	Fringe	Total
57.58	21.55	79.13

**CLASSIFICATIONS:**

Pipeline Journeyman Welder

**Effective Dates:**

**11/01/2016**

Rate	Fringe	Total
57.58	21.55	79.13

**CLASSIFICATIONS:**

Pipeline Journeyman

**Effective Dates:**

**11/01/2016**

Rate	Fringe	Total
37.16	15.74	52.90

**CLASSIFICATIONS:**

Pipeline Helper

**ASPHALT LABORERS- NORTH**     **Rates Expiration Date : 08/31/2017**

THESE RATES APPLY IN THE FOLLOWING COUNTIES ONLY:

Bergen, Essex, Hudson, Hunterdon, Middlesex, Monmouth, Morris, Passaic, Somerset, Sussex, Union, Warren

{For apprentice rates refer to "Laborer - Heavy & General" apprentice rates in any county rate package}

The regular workday consists of 8 hours, starting at 7:00 AM or 8:00 AM.

**SHIFT DIFFERENTIALS:**

- Shifts must start at 3:00 PM, 4:00 PM, 12:00 AM, or 1:00 AM, to be considered shift work, except when the project owner mandates special hours of work in the job specifications, in which case those hours may be considered shift work.
- When such hours are mandated by the project owner, a shift that begins before midnight on Friday and ends on Saturday morning, or that begins at or after 8:00 PM on Sunday and ends on Monday morning may be paid at the shift differential rate.
- Shifts shall receive an additional \$2.50 per hour.

**OVERTIME:**

- Hours in excess of 8 per day, Monday through Friday, or outside of the regular workday that are not shift work, and all hours on Saturdays, shall be paid at time and one-half the hourly rate. All hours on Sundays and holidays shall be paid at double the hourly rate.
- Four 10-hour days may be worked, Monday through Thursday, at straight time, with Friday used as a make-up day for a day lost to inclement weather. If Friday is not a make-up day, all hours on Friday shall be paid at time and one-half the hourly rate.

**RECOGNIZED HOLIDAYS:** New Year's Day, Presidents' Day, Memorial Day, July 4th, Labor Day, Presidential Election Day, Veterans' Day, Thanksgiving Day, Christmas Day. Sunday holidays observed the following Monday. Veterans Day may be substituted for the day after Thanksgiving. However, in the trading of Veterans Day for the day after Thanksgiving, if overtime is worked on Veterans Day, it shall be paid at double the hourly rate.

**Hazardous Waste Work:**

- where Level A, B, or C protection is required: + \$3.00/hr
- other Hazardous Waste site: + \$1.00/hr

**Effective Dates:**

**03/01/2017**

Rate	Fringe	Total
41.00	29.03	70.03

**CLASSIFICATIONS:**

Asphalt Foreman

**Effective Dates:**

**03/01/2017**

Rate	Fringe	Total
39.70	29.03	68.73

**CLASSIFICATIONS:**

Asphalt Screedman

**Effective Dates:**

**03/01/2017**

Rate	Fringe	Total
39.45	29.03	68.48

**CLASSIFICATIONS:**

Asphalt Raker or Lute Man

TERRITORY  
ENTIRE STATE

NEW JERSEY DEPARTMENT OF LABOR AND WORKFORCE DEVELOPMENT  
PREVAILING WAGE RATE DETERMINATION

ASPHALT LABORERS- NORTH     Rates Expiration Date : 08/31/2017

**Effective Dates:**

**03/01/2017**

Rate	Fringe	Total
38.75	29.03	67.78

**CLASSIFICATIONS:**

Asphalt Laborer

**ELECTRICIAN- UTILITY WORK (NORTH)**     **Rates Expiration Date : 12/03/2017**

Electrician-Utility Work (North)

(For apprentice rates refer to Electrician-Utility Work (North) in any county rate package).

These rates apply to work contracted for by the following utility companies:

Public Service Electric & Gas Co. of NJ, GPU Energy, Borough of Madison Electric Department, Sussex Rural Electric Cooperative, Rockland Utilities, and Butler Municipal Electric Co.

These rates do not apply to work on substations or switching stations.

For Utility work contracted for by a utility company other than those listed above or those listed under "Electrician-Utility Work (South), see the "Outside Commercial Rates" for the county in which the jobsite is located.

\* FOR OUTSIDE COMMERCIAL RATES PLEASE SEE COUNTY RATES

The regular workday is 8 hours, between 6:00 AM and 6:00 PM.

FOR EMERGENCY WORK ONLY: (emergency work is defined as work caused by storm, catastrophe, act of god, and circumstances beyond the control of the employer)-all hours of work shall be paid at double the hourly rate.

**SHIFT DIFFERENTIALS:**

Shift work must run for a minimum of 5 consecutive workdays.

2nd shift (between the hours of 4:30 PM and 1:00 AM): 8 hours of work + 17.3% of the regular rate, inclusive of benefits.

3rd shift (between the hours of 12:30 AM and 9:00 AM): 8 hours of work + 31.4% of the regular rate per hour, inclusive of benefits.

**OVERTIME:**

Hours in excess of 8 per day, or before or after the regular workday Monday through Friday, that is not shift work, and all hours on Saturday shall be paid at time and one-half the regular rate, inclusive of benefits. All hours on Sundays and holidays shall be paid at double the hourly rate, inclusive of benefits.

Four 10-hour days may worked, at straight time, between 7:00 AM and 6:30 PM, Monday through Thursday.

**RECOGNIZED HOLIDAYS:**

New Year's Day, Presidents' Day, Memorial Day, July 4th, Labor Day, Presidential Election Day, Veterans' Day, Thanksgiving Day and Christmas Day, or day on which they are legally observed.

**Effective Dates:**

**12/04/2016**

Rate	Fringe	Total
52.26	35.01	87.27

**CLASSIFICATIONS:**

Chief Lineman

**Effective Dates:**

**12/04/2016**

Rate	Fringe	Total
49.31	33.03	82.34

**CLASSIFICATIONS:**

Journeyman Lineman

ELECTRICIAN- UTILITY WORK (NORTH)      Rates Expiration Date : 12/03/2017

**Effective Dates:**

**12/04/2016**

Rate	Fringe	Total
49.31	33.03	82.34

**CLASSIFICATIONS:**

Special License Operator

**Effective Dates:**

**12/04/2016**

Rate	Fringe	Total
48.81	32.70	81.51

**CLASSIFICATIONS:**

Transit Man

**Effective Dates:**

**12/04/2016**

Rate	Fringe	Total
47.33	31.71	79.04

**CLASSIFICATIONS:**

Line Equipment Operator

**Effective Dates:**

**12/04/2016**

Rate	Fringe	Total
41.42	27.75	69.17

**CLASSIFICATIONS:**

Dynamite Man

**Effective Dates:**

**12/04/2016**

Rate	Fringe	Total
58.18	38.98	97.16

**CLASSIFICATIONS:**

General Foreman

**Effective Dates:**

**12/04/2016**

Rate	Fringe	Total
56.70	37.98	94.68

**CLASSIFICATIONS:**

Assistant General Foreman



ELECTRICIAN- UTILITY WORK (NORTH)      Rates Expiration Date : 12/03/2017

**Effective Dates:**

**12/04/2016**

Rate	Fringe	Total
55.22	36.99	92.21

**CLASSIFICATIONS:**

Line Foreman

**Effective Dates:**

**12/04/2016**

Rate	Fringe	Total
39.94	26.75	66.69

**CLASSIFICATIONS:**

Straight Light Mechanical Leader

**Effective Dates:**

**12/04/2016**

Rate	Fringe	Total
37.97	25.43	63.40

**CLASSIFICATIONS:**

Groundman Winch Operator

**Effective Dates:**

**12/04/2016**

Rate	Fringe	Total
37.97	25.43	63.40

**CLASSIFICATIONS:**

Groundman Truck Operator

**Effective Dates:**

**12/04/2016**

Rate	Fringe	Total
37.47	25.10	62.57

**CLASSIFICATIONS:**

Straight Light Mechanic

**Effective Dates:**

**12/04/2016**

Rate	Fringe	Total
37.47	25.10	62.57

**CLASSIFICATIONS:**

Line Equipment Mechanic

TERRITORY  
ENTIRE STATE

NEW JERSEY DEPARTMENT OF LABOR AND WORKFORCE DEVELOPMENT  
PREVAILING WAGE RATE DETERMINATION

ELECTRICIAN- UTILITY WORK (NORTH)      Rates Expiration Date : 12/03/2017

**Effective Dates:**

**12/04/2016**

Rate	Fringe	Total
32.05	21.47	53.52

**CLASSIFICATIONS:**

Groundman 2nd Year

**Effective Dates:**

**12/04/2016**

Rate	Fringe	Total
29.58	19.81	49.39

**CLASSIFICATIONS:**

Groundman 1st Year

**Effective Dates:**

**12/04/2016**

Rate	Fringe	Total
48.81	32.70	81.51

**CLASSIFICATIONS:**

Line Equipment Foreman

**ELECTRICIAN- UTILITY WORK (SOUTH)**    **Rates Expiration Date : 12/02/2017**

Electrician-Utility Work (South)

(For apprentice rates refer to Electrician-Utility Work (South) in any county rate package).

These rates apply to work contracted for by the following utility company:

Atlantic City Electric.

These rates do not apply to work on substations or switching stations.

For utility work contracted for by a utility company other than the one listed above or those listed under "Electrician-Utility Work (North), see the "Outside Commercial Rates" for the county in which the jobsite is located.

\* FOR OUTSIDE COMMERCIAL RATES PLEASE SEE COUNTY RATES

The regular workday is 8 hours, between 7:00 AM and 4:30 PM.

FOR EMERGENCY WORK ONLY: (emergency work is defined as work caused by storm, catastrophe, act of god, and circumstances beyond the control of the employer)- all hours of work shall be paid at double the hourly rate.

**SHIFT DIFFERENTIALS:**

Shift work must run for a minimum of 5 consecutive workdays.

When two (2) or three (3) shifts are worked the following shall apply:

1st shift (between the hours of 8:00 AM and 4:30 PM)

2nd shift (between the hours of 4:30 PM and 12:30 AM): 8 hours of work + 10% of the regular rate of pay for 7.5 hours worked.

3rd shift (between the hours of 12:30 AM and 8:00 AM): 8 hours of work + 15% of the regular rate of pay for 7 hours worked.

**OVERTIME:**

Hours in excess of 8 per day, or before or after the regular workday Monday through Friday, that is not shift work, and all hours on Saturday shall be paid at time and one-half the regular rate. All hours on Sundays and Holidays shall be paid double the hourly rate.

Four 10-hour days may be worked, at straight time, between 6:00 AM and 6:00 PM, Monday through Thursday with Friday used as a make-up day.

**RECOGNIZED HOLIDAYS:**

New Year's Day, Memorial Day, July 4th, Labor Day, Veterans' Day, Thanksgiving Day and Christmas Day or on days celebrated.

**WORKING RULES:**

There shall be a Foreman in charge of each work crew. No crews are to exceed twelve (12) men, including Foremen.

There shall be a General Foreman designated for transmission work when three (3) or more crews are on the same job and for distribution work where there are more than twenty (20) employees on site.

A small job crew shall consist of five (5) or less employees, one (1) of the Journeyman Linemen in the crew shall be designated as a Small Job Foreman.

Work performed from ladders and/or mechanical lift equipment shall be the work of Linemen and/or Apprentices.

On new construction, fitting and framing poles, towers or structures may be done by Journeymen and/or Apprentices. Groundmen may assist, but may not perform any work which would be performed by Linemen if assembled in the air.

There shall be a Journeyman Lineman in each pole setting, erection, grounding, wire and cable-pulling crew of more than three (3) men.

**Effective Dates:**

**12/04/2016**

Rate	Fringe	Total
58.38	45.19	103.57

**CLASSIFICATIONS:**

General Foreman

**ELECTRICIAN- UTILITY WORK (SOUTH)**      **Rates Expiration Date : 12/02/2017**

**Effective Dates:**

**12/04/2016**

Rate	Fringe	Total
52.00	41.37	93.37

**CLASSIFICATIONS:**

Foreman

**Effective Dates:**

**12/04/2016**

Rate	Fringe	Total
49.26	39.74	89.00

**CLASSIFICATIONS:**

Small Job Foreman

**Effective Dates:**

**12/04/2016**

Rate	Fringe	Total
45.61	37.54	83.15

**CLASSIFICATIONS:**

Heavy Equipment Operator

**Effective Dates:**

**12/04/2016**

Rate	Fringe	Total
45.61	37.54	83.15

**CLASSIFICATIONS:**

Cable Splicer

**Effective Dates:**

**12/04/2016**

Rate	Fringe	Total
45.61	37.54	83.15

**CLASSIFICATIONS:**

Journeyman Lineman

**Effective Dates:**

**12/04/2016**

Rate	Fringe	Total
45.61	37.54	83.15

**CLASSIFICATIONS:**

Journeyman Welder

**ELECTRICIAN- UTILITY WORK (SOUTH)**      **Rates Expiration Date : 12/02/2017**

**Effective Dates:**

**12/04/2016**

Rate	Fringe	Total
45.61	37.54	83.15

**CLASSIFICATIONS:**

Journeyman Painter

**Effective Dates:**

**12/04/2016**

Rate	Fringe	Total
36.49	32.08	68.57

**CLASSIFICATIONS:**

Light Equipment Operator

**Effective Dates:**

**12/04/2016**

Rate	Fringe	Total
31.93	29.37	61.30

**CLASSIFICATIONS:**

Groundman Truck Driver

**Effective Dates:**

**12/04/2016**

Rate	Fringe	Total
29.65	27.99	57.64

**CLASSIFICATIONS:**

Groundman 3rd Year

**Effective Dates:**

**12/04/2016**

Rate	Fringe	Total
27.37	26.66	54.03

**CLASSIFICATIONS:**

Groundman 2nd Year

**Effective Dates:**

**12/04/2016**

Rate	Fringe	Total
25.09	25.29	50.38

**CLASSIFICATIONS:**

Groundman 1st Year

TERRITORY  
ENTIRE STATE

NEW JERSEY DEPARTMENT OF LABOR AND WORKFORCE DEVELOPMENT  
PREVAILING WAGE RATE DETERMINATION

ELECTRICIAN- UTILITY WORK (SOUTH)    Rates Expiration Date : 12/02/2017

Effective Dates:

12/04/2016

Rate	Fringe	Total
20.07	22.27	42.34

CLASSIFICATIONS:

Flagman

HEAVY & GENERAL LABORERS- NEW TRANS HUDSON TUNNELS      Rates Expiration Date : 08/31/2017

**\*\*THESE RATES APPLY TO CONSTRUCTION ON NEW TRANS HUDSON TUNNELS ONLY\*\***

{For apprentice rates refer to "Laborer - Heavy & General" apprentice rates in any county rate package}

The regular workday consists of 8 hours, starting at 7:00 AM or 8:00 AM.

**SHIFT DIFFERENTIALS:**

- Shifts must start at 3:00 PM, 4:00 PM, 12:00 AM, or 1:00 AM, to be considered shift work, except when the project owner mandates special hours of work in the job specifications, in which case those hours may be considered shift work.
- When such hours are mandated by the project owner, a shift that begins before midnight on Friday and ends on Saturday morning, or that begins at or after 8:00 PM on Sunday and ends on Monday morning may be paid at the shift differential rate.
- Shifts shall receive an additional \$2.50 per hour.

**OVERTIME:**

- Hours in excess of 8 per day, Monday through Friday, or outside of the regular workday that are not shift work, and all hours on Saturdays, shall be paid at time and one-half the hourly rate. All hours on Sundays and holidays shall be paid at double the hourly rate.
- Four 10-hour days may be worked, Monday through Thursday, at straight time, with Friday used as a make-up day for a day lost to inclement weather. If Friday is not a make-up day, all hours on Friday shall be paid at time and one-half the hourly rate.

**RECOGNIZED HOLIDAYS:** New Year's Day, Presidents' Day, Memorial Day, July 4th, Labor Day, Presidential Election Day, Veterans' Day, Thanksgiving Day, Christmas Day. Sunday holidays observed the following Monday. Veterans Day may be substituted for the day after Thanksgiving. However, in the trading of Veterans Day for the day after Thanksgiving, if overtime is worked on Veterans Day, it shall be paid at double the hourly rate.

**Hazardous Waste Work:**

- where Level A, B, or C protection is required: + \$3.00/hr
- other Hazardous Waste site: + \$1.00/hr

**Effective Dates:**

**03/01/2017**

Rate	Fringe	Total
62.25	29.03	91.28

**CLASSIFICATIONS:**

Walking Boss & Superintendent

**Effective Dates:**

**03/01/2017**

Rate	Fringe	Total
61.80	29.03	90.83

**CLASSIFICATIONS:**

Heading Foreman, Shaft Foreman, Rod Foreman, Electrical Foreman, Rigging Foreman

**HEAVY & GENERAL LABORERS- NEW TRANS HUDSON TUNNELS**      **Rates Expiration Date : 08/31/2017**

**Effective Dates:**

**03/01/2017**

Rate	Fringe	Total
61.05	29.03	90.08

**CLASSIFICATIONS:**

Iron Foreman, Caulking Foreman, Form Foreman, Cement Finishing Foreman, Concrete Foreman, Track Foreman, Clean-up Foreman, Grout Foreman

**Effective Dates:**

**03/01/2017**

Rate	Fringe	Total
64.80	29.03	93.83

**CLASSIFICATIONS:**

Blaster

**Effective Dates:**

**03/01/2017**

Rate	Fringe	Total
60.23	29.03	89.26

**CLASSIFICATIONS:**

Top Labor Foreman

**Effective Dates:**

**03/01/2017**

Rate	Fringe	Total
59.70	29.03	88.73

**CLASSIFICATIONS:**

Skilled Men (including Caulker, Powder Carrier, all other skilled men)

Skilled Men (including Miner, Drill Runner, Iron Man, Conveyor Man, Maintenance Man, Safety Miner, Rigger, Block Layer, Cement Finisher, Rod Man)

**Effective Dates:**

**03/01/2017**

Rate	Fringe	Total
59.48	29.03	88.51

**CLASSIFICATIONS:**

Semi-Skilled Men (including Bell or Signal Man top or bottom, Form Worker & Mover, Concrete Worker, Shaft Man, Tunnel Laborer, Caulker's Helper, all other semi-skilled)

Semi-Skilled Men (including Miner's Helper, Chuck Tender, Track Man, Nipper, Brake Man, Derail Man, Cable Man, Hose Man, Gravel Man, Form Man)



TERRITORY  
ENTIRE STATE

NEW JERSEY DEPARTMENT OF LABOR AND WORKFORCE DEVELOPMENT  
PREVAILING WAGE RATE DETERMINATION

HEAVY & GENERAL LABORERS- NEW TRANS HUDSON TUNNELS      Rates Expiration Date : 08/31/2017

**Effective Dates:**

**03/01/2017**

Rate	Fringe	Total
58.73	29.03	87.76

**CLASSIFICATIONS:**

All others (including Powder Watchman, Change House Attendant, Top Laborer, Job Steward)

TECHNICAL SPECIFICATIONS  
**FOR THE**  
RAHWAY RIVER PARK DIVE TANK DEMOLITION

**CITY OF RAHWAY**  
**UNION COUNTY, NEW JERSEY**

NEA PROJECT No.: UNIOCTY17.010

DATE: APRIL 3, 2017



NEGLIA ENGINEERING ASSOCIATES  
1119 Raritan Road  
Clark, New Jersey 07066  
Phone: 201.939.8805  
Fax: 732.943.7249

## **TABLE OF CONTENTS –TECHNICAL SPECIFICATIONS**

<b>SECTION</b>	<b>PAGE</b>
MOBILIZATION/DEMOBILIZATION	2
MAINTENANCE AND PROTECTION OF TRAFFIC	4
SITE CLEARING AND DEMOLITION	5
PRE-CONSTRUCTION PHOTOGRAPHS	8
SOIL EROSION AND SEDIMENT CONTROL DEVICES	9
SAWCUTTING	11
DEWATERING	12
TEMPORARY SHEETING	13
SITE GRADING	15
DENSE GRADED AGGREGATE	18
TOPSOILING AND HYDROSEEDING	19
FINAL CLEANUP/SITE RESTORATION	21
WATER CONNECTION RELOCATION	22
HOT MIX ASPHALT PATHWAY (ALTERNATE BID)	23

**APPENDIX A** – “ASBESTOS SURVEY REPORT” As prepared by EnviroVision Consultants, Inc.

**APPENDIX B** - “REHABILITATION OF THE RAHWAY RIVER PARK SWIMMING POOL-DIVING POOL PAN” as prepared by Robert F. Grove and Schoor, Depalma & Gillen, Inc. dated September 24, 1981.

## TECHNICAL SPECIFICATIONS

This project shall be governed by the “New Jersey of Transportation Standard Specifications for Road and Bridge Construction” 2007 using U.S. Customary English Units except as noted in the following specification.

Payment descriptions within the following specifications prevail over the “New Jersey Department of Transportation Standard Specifications for Road and Bridge Construction” 2007

All unit prices shall be in accordance with the Bidder’s Proposal. Any unit prices not included in the Bidder’s Proposals shall be assumed distributed across all unit prices.

Any references in this specification to a specific product line or proprietary item, it is understood that the specification refers to that product or approved equal. The lack of the phrase “or approved equal” does not imply that the specified product is the only product that will be allowed. However, it will be the successful bidder’s burden to prove that an alternate product meets the specification called for.

Should there be a conflict between the plans and specifications, the items shall govern in the following order.

- Addendums to the bid to include changes to the plans
- Supplemental (Technical) Specifications
- Plans

**Coordination of site visits during the bidding period shall be coordinated through the Union County Parks Department by contacting 1. Tom Langan, 908-247-8188 or 2. Donna Hayden, 908-298-7849. All site visits within the pool complex must be performed during normal operating hours and shall be scheduled in advance.**

### **Project Scope:**

A general overview of the project is as follows. The project consists of the demolition of the dive tank and all of the various components that are part of the dive tank (walls, floor, drains, filtration system, piping, and all else thereto), demolition of the filter building inclusive of the foundation and all equipment, pumps, grates, pipes, controls and all else thereto that is within and adjacent to the building, demolition of the lifeguard building inclusive of the foundation and all equipment within and adjacent to the building, demolition of the diving boards, concrete walkway, chain link fencing, benches, lifeguard chairs, and all else thereto. The contractor shall note that all foundations, pool walls, pool floors shall be removed and disposed of as part of the scope of work and shall not be left onsite. All debris generated from the demolition work shall be properly disposed of at an offsite facility in accordance with local, state and federal requirements. All demolished areas shall be backfilled to the surface with material in accordance with the project specifications and construction plans and the site restored with topsoil, fertilizer and hydroseed. It is anticipated that the contract will be awarded to the successful low bidder at the April 27, 2017 board meeting with contracts issued immediately thereafter. **All work must be completed by June 14, 2017.**

**MOBILIZATION / DEMOBILIZATION**

Mobilization/Demobilization shall consist of the cost of initiating the contract, including preparatory work and operations, necessary for the movement of personnel, equipment, supplies and incidentals to the Project site, and other work performed or costs incurred prior to beginning work. In any case of inconsistencies with the N.J.A.C. 7:14-2.9, the New Jersey Administrative Code shall govern.

**QUANTITY AND PAYMENT**

Payment for mobilization will be made on a lump sum basis, which price shall include the cost of initiating the contract, regardless of the fact that the Contractor may have, for any reason, shut down his work on the Project or moved equipment away from the Project and back again, in accordance with the 2007 NJDOT Standard Specifications Section 154.04.

Payment will be made in accordance with the following schedule:

1. When 5% of the work is completed - 25% of the amount bid for mobilization or 2.5% of the Total Contract Price, whichever is less, will be paid.
2. When 10% of the work is completed - 50% of the amount bid for mobilization or 5% of the Total Contract Price, whichever is less, will be paid.
3. When 15% of the work is completed – 75% of the amount bid for mobilization or 7.5% of the Total Contract Price, whichever is less, will be paid.
4. When 20% of the work is completed – 100% of the amount bid for mobilization or 10% of the Total Contract Price, whichever is less, will be paid.

Upon completion of all work on the project, payment for the amount bid for mobilization in excess of 10% of the Total Contract Price will be made.

The percentage of work completed shall be the total of payments earned compared to the Total Contract Price. The total of payments earned excludes the amount paid for this item and the amount paid for materials furnished but not incorporated into the work in accordance with Subsection 109.06 – Materials Payments and Storage, as shown on the monthly estimates of the approximate quantities of work done, prepared in accordance with Subsection 109.05 – Estimates of the 2007 NJDOT Standard Specification.

(A) The lump sum price bid for mobilization is limited to the following maximum amounts:

Original Contract Amount  
(Including Mobilization)

<u>For More Than</u>	<u>To and Including</u>	Max. Amount for Item of <u>Mobilization</u>
\$ 0	100,000	\$ 3,000
100,000	500,000	15,000
500,000	1,000,000	30,000
1,000,000	2,000,000	60,000
2,000,000	3,000,000	90,000

3,000,000	4,000,000	120,000
4,000,000	5,000,000	125,000
5,000,000	6,000,000	150,000
6,000,000	7,000,000	175,000
7,000,000	10,000,000	200,000
10,000,000		2.5% of amount bid

Quantity and Payment for Mobilization/Demobilization will be made in accordance with the Contract Documents on a lump sum basis at the price bid for the item **MOBILIZATION/DEMOBILIZATION** in the Proposal, which shall include the cost of delivery, installation, storage, permitting, agreements, and all labor, tools, equipment and materials necessary therefore and incidental thereto or as directed by the Engineer.

**-- END OF SECTION --**

## **MAINTENANCE AND PROTECTION OF TRAFFIC**

### **DESCRIPTION**

Under this Contract this item shall mean that the Contractor shall provide for the safe passage of vehicles and pedestrians for safe ingress and egress within the limits of the project, including but not limited to the use of flagmen, cones, barrels, etc. in any and all areas where contractor deems it necessary. The project site shall be closed to the general public, but County employees will be onsite setting up the main pool. The pool complex is surrounded by an existing fence and gates that will be closed at the end of each day. The Contractor shall be responsible to setup construction fencing as may be required to protect the open excavations.

This item also shall include the maintenance and protection of highway traffic and shall include any and all materials necessary to provide for this passage, and that the Contractor shall abide to all of the rules and regulations as set forth in Section 159 - Traffic Control of the applicable New Jersey State Highway Department Standard Specifications as amended in the Standard Specifications of this project.

The contractor may utilize outside agencies to maintain traffic.

The contractor is responsible for all maintenance, safety and protection of traffic until the project is complete and turned over to the project owner. The contractor shall hold harmless the County of Union and its representatives, project construction managers and Neglia Engineering Associates for any safety incidents during the project construction period.

### **QUANTITY AND PAYMENT**

It is the contractor's responsibility to maintain a safe working environment as well as protect pedestrian traffic from the construction site. Thus there is no specific pay item for the Maintenance and Protection of Traffic. The contractor shall include these costs within the bid item **MOBILIZATION AND DEMOBILIZATION** in the proposal which price shall include the cost of, any and all materials, all labor and equipment and all else necessary and incidental thereto.

**-- END OF SECTION --**

## SITE CLEARING / DEMOLITION

### DESCRIPTION

Under this item the Contractor shall remove and dispose of all fences, gates, concrete pads, concrete foundations, concrete sidewalk, concrete slabs, cmu block foundations, cmu block walls, concrete pool walls and floor, pool gutters, pool liner, pool filtration system and drains, pumps, mechanical equipment, electrical equipment, buildings and associated building materials, benches, life guard chairs, diving boards, boulders, drainage pipes, sidewalk, natural turf, tree roots/stumps, shrubs, hedges, brush, stumps, roots, dirt, stones, and all debris; not specifically called for and paid elsewhere and the removal of which is required for carrying out the demolition of the pool area within the limits denoted on the construction plans, shall be removed and disposed. Contractor shall perform test pits to locate any uncertainties in existing subsurface structures to determine if these structures interfere or affect the demolition work.

The Contractor shall remove and dispose of pipes, inlets, manholes, cleanouts, reinforced concrete pavement, bituminous pavement, concrete and bituminous sidewalk, and old curb, as necessary for the demolition of the dive tank. They shall remove from the surface and cap any and all conduits and various water lines that service the filter building and lifeguard building below grade.

The Phrase “To Be Removed” shall mean that an item shall be removed and disposed; for which the work is the responsibility of the Contractor. All removed materials must be disposed at an offsite facility and shall not be utilized for backfill material.

### CONSTRUCTION

#### GENERAL

The Contractor shall abide by all of the rules and regulations as set forth in Section 201 – Clearing Site of the NJDOT State Standard Specifications and the respective amendments. Site clearing work shall conform to all applicable requirements of Local, State and Federal Authorities having jurisdiction. All permits required for the execution of the work shall be obtained and paid for by the Contractor.

Removed material shall be properly disposed of by the Contractor. The excavation unclassified shall be disposed of outside of the limits of the contract at no extra cost to the Owner. Any and all clean soil that is excavated during site clearing/demolition shall be backfilled and compacted.

#### INSPECTION OF PREMISES

The Contractor before submitting his Proposal, shall visit and examine the premises so as to fully understand all the existing conditions relative to his work. **All site visits shall be coordinated with the Union County Parks and Recreation Department by contacting 1. Tom Langan, 908-247-8188 or 2. Donna Hayden, 908-298-7849 or 908-527-4900.**

#### CONSTRUCTION PLANS AND REPORTS

The Contractor shall make himself familiar with the Construction Plans as well as the old design plans located in Appendix B of the specification. The Contractor is responsible to remove and



dispose of all materials of whatever nature within the limit of disturbance and restore the site to the existing elevation. The existing electric has been disconnected however; the contractor shall verify prior to starting the demolition work.

The Contractor shall refer to Appendix A – Asbestos Survey Report for information related to site demolition work. No asbestos was detected.

### STREET REPAIRS

The Contractor shall make all repairs to street and sidewalk made necessary by his work.

### ADJOINING PROPERTY

The Contractor shall repair any and all damages or injury to the adjoining properties caused by his work and leave the properties in as good condition as before work was started, and he shall relieve the Owner of all responsibility for any claims due to such injury and shall defend any action brought by reason thereof.

### DUST CONTROL

If so directed, the Contractor shall thoroughly wet the work to prevent dust.

### REMOVAL OF DEBRIS

The removal and disposal of materials and debris accumulated by clearing site is regulated under the Solid Waste Management Act (NJSA 13:1 E-1) and is governed by NJAC 7:26 *et seq.* The Contractor shall dispose of the material and debris according to the solid waste management plan developed by the solid waste management district of origin. Proper documentation from the disposal facility shall be submitted to the Engineer.

### TREE REMOVALS

Contractor shall stake out the limit of disturbance and existing environmental buffers as depicted on the plans prior to conducting any Tree Removals. Only trees within the project limit of disturbance shall be removed. No trees or vegetation within the existing environmental buffer areas shall be disturbed or removed. Each tree to be removed shall be completely removed. Stumps and roots shall be completely removed. Contractor shall remove and dispose all stumps, and roots. Stump grinding shall only be permitted if and where directed by the engineer. Stumps, roots and or stump grindings shall not be permitted as backfill material.

Cutting of trees shall be done by competent workman only and in a workmanship like manner. All trees shall be topped and limbed previous to felling, unless otherwise directed by the Engineer. If necessary, trees shall be felled in sections and disposed of to prevent damage to adjacent vegetation, structures, utility wires, or other property.

When or where any direct or indirect damage or injury is done to public or private property by or on account of any act, omission, neglect or misconduct, on the part of the Contractor in the execution of the work, such property shall be restored by the Contractor, at his expense, to a condition equal to that existing before such damage or injury was done, or he shall make good such damage or injury in such other manner as may be acceptable to the Engineer.

It shall be the responsibility of the Bidders to ascertain, by their own inspection and investigations the sizes and types of trees to be removed and to determine and supply the necessary equipment to perform the work.

All trunks, limbs and branches shall be removed from the site as well as sweeping and removal of all chips to a degree that is satisfactory to the Engineer.

### **QUANTITY AND PAYMENT**

Payment for Site Clearing/Demolition will not be measured. Payment for Site Clearing & Demolition will be paid for on a lump sum basis under the pay item **DEMOLITION AND BACKFILL** as specified above. Such price shall include removal of debris, disposal of materials, and all else necessary therefore and incidental thereto.

The Contractor shall abide by all of the rules and regulations as set forth in applicable Sections and Subsections for - Clearing Site & Demolition of the NJDOT State Standard Specifications and the respective amendments

**-- END OF SECTION --**

## **PRE-CONSTRUCTION PHOTOGRAPHS**

### **DESCRIPTION**

The Contractor shall furnish photographs, taken by a photographer acceptable to the Engineer, to show the condition of the site prior to construction, as well as to show the progress of the work. Contractor shall provide the date of each photograph taken on the photograph and also provide a photograph location map showing the location and direction of the photograph taken.

### **MATERIALS**

A CD/DVD of pre-construction photographs and a separate CD/DVD of construction photographs shall bear the name of the photographer, name of project, contract number, and date of submittal and shall be furnished to the Engineer.

### **MEHODS OF PHOTOGRAPHS**

Pre-construction photographs shall be taken to especially note the character of all easements and the condition of any structures, lawns, trees, streets, sidewalks, etc., which might be damaged, and shall average at least one photograph for each 50 feet of street or easement in the contract. The Engineer shall be provided with one matte print of each photograph. A minimum of thirty six construction photographs shall be taken each month at regular intervals while the work is in progress. Photographs shall be taken at such times and at such locations as may be determined by the Engineer. One photograph shall be taken during the month and submitted to the Engineer via email at the time of submitting the periodic estimate for progress payment, progress payment requests shall include photograph prints relative to the work completed and requested for payment.

### **QUANTITY AND PAYMENT**

Pre-Construction Photographs will not be measured and no separate payment will be made for pre-construction photos. Quantity and Payment for this item, and all work related thereto, shall be distributed amongst the items specified in the Proposal or as directed by the Engineer.

Contractors are advised that damage claims by property owners, which cannot be disputed by pre-construction photographs, will be required to restore the claimed damage. Therefore, pre-construction photos will be required, and furnished to the Engineer.

Should the Contractor fail to take pre-construction photos, any property damage and complaints received will be repaired by the Contractor at no cost to the Owner or Owner's Representatives.

**-- END OF SECTION --**

## **SOIL EROSION AND SEDIMENT CONTROL DEVICES**

### **DESCRIPTION**

The work performed under this item shall include construction of all soil erosion structures as shown on the plans or as required by the Somerset Union Soil Conservation District, temporary seeding or mulching and general soil stabilization.

The contractor shall construct additional stone tracking pads not specifically shown on the plans as necessary to facilitate the mobilization of construction equipment on site.

Furthermore, the contractor shall notify the Union County Soil Conservation District seventy-two (72) hours prior to the start of construction.

### **MATERIALS**

Materials shall be in conformance with the Plan and Details, and shall include silt fences, gravel inlet filters, fertilizer and soil stabilization. All materials shall be approved by the Engineer. Permanent seeding shall not be paid for under this area.

### **METHODS OF CONSTRUCTION**

State Standard Specifications and Somerset Union County Soil Conservation District Regulations.

- A. All erosion and sedimentation control measures shall be in place prior to any grading operations or construction of proposed facilities and shall be maintained until construction is complete and the construction area is stabilized. After restoration is complete, temporary control measures shall be removed and disposed of properly.
- B. All erosion and sedimentation control measures shall be constructed and maintained in accordance with the "Standards for Soil Erosion and Sediment Control in New Jersey," prepared by the New Jersey State Soil Conservation Committee, 1987.
- C. Disturbed areas that will be exposed in excess of 14 days shall be temporarily seeded and/or mulched until proper weather conditions exists for establishment of a permanent vegetative cover except in areas where final restoration is expected to be completed within seven days after the completion of construction, in which case no temporary protective measures will be required. If final restoration is expected to begin more than seven days and completed more than 30 days after the start of construction, seeding shall be required for temporary protection, except where seasonal conditions are not suitable for growing vegetation. In this case, mulch may be applied until conditions are suitable for establishing vegetative cover or until final restoration is implemented.

### **QUANTITY AND PAYMENT**

No specific payment will be made for Soil Erosion and Sediment Control Measures as described above. Any cost for Soil Erosion and Sediment Control Measures shall be distributed among the

various items bid in the proposal and shall include the cost of, any and all materials, all labor and equipment and all else necessary therefore and incidental thereto and in accordance with the Plans and Specifications or as directed by the Engineer.

No additional payment will be made for maintaining or replacement of the erosion control measures as necessary or as directed by the engineer. The soil erosion devices shall include but are not limited to such items as: Construction Entrance, Silt Fence, Hay Bales, Portable Sediment Tanks, Stone Filters, Sediment Control Bags, Inlet filter protection.

The payment for permanent topsoiling and seeding will be paid for under the item SITE RESTORATION AND FINAL CLEANUP.

**-- END OF SECTION --**

## **SAWCUTTING**

### **DESCRIPTION**

Sawcutting shall consist of the cutting of sidewalks, concrete, driveways, curbs and pavements of whatever nature in order to maintain a clean finished look as noted on the construction plans and where directed by the Engineer.

### **MATERIALS - METHODS OF CONSTRUCTION**

Concrete or bituminous surfaces shall be cut through the entire pavement thickness in a straight neat line using diamond-tipped blades with water, as approved by the Engineer.

### **QUANTITY AND PAYMENT**

No specific payment will be made of Sawcutting as described above. Any cost for Sawcutting shall be distributed among the various items bid in the proposal and shall include the cost of, any and all materials, all labor and equipment and all else necessary therefore and incidental thereto and in accordance with the Plans and Specifications or as directed by the Engineer.

**\*PLEASE NOTE THAT JACK-HAMMERED OR BROKEN EDGES WILL NOT BE ACCEPTED UNDER ANY CIRCUMSTANCES.**

**-- END OF SECTION --**

## **DEWATERING**

### **DESCRIPTION**

The Contractor shall at all times provide ample means and equipment with which to promptly remove and dispose of all water and drainage entering the excavations or other parts of the work, and to keep such excavations dry until the backfill material has been installed and properly compacted. In no case will the laying of pipe or placing of masonry be permitted with water in the excavation.

Dewatering methods and equipment shall be subject to the approval of the Engineer, and all water removed from the work shall be disposed of in a manner without damage to adjacent properties.

All applicable NJDEP regulations must be maintained with respect to dewatering and discharge.

### **QUANTITY AND PAYMENT**

No specific payment will be made of dewatering as required for the demolition work. Any cost for Dewatering shall be distributed among the various items bid in the proposal and shall include the cost of, any and all materials, all labor and equipment and all else necessary therefore and incidental thereto and in accordance with the Plans and Specifications or as directed by the Engineer.

**-- END OF SECTION --**

## TEMPORARY SHEETING

### DESCRIPTION

- A. The Contractor shall install sheeting or stay bracing, as necessary, in order to comply with all applicable safety codes (i.e., OSHA, NJDOT, etc.); to accommodate traffic; to permit access to adjacent occupied properties; to protect adjacent buildings, pavements, structures, and all existing utilities; to provide an opening of proper depth and width in which to demolish the pool and associated piping and buildings as well as to install the approved backfill material; and, to protect his workmen, employees of the Owner and Engineer, State and the Public from death or injury, from bank failure, earth collapse or earth movement of any nature whatsoever. In general, all trenches and excavations of five feet in depth, any other unstable excavations or excavations in unstable material, shall be protected against the hazard of collapse.
- B. The Contractor shall be entirely and solely responsible for the adequacy and sufficiency of all supports and of all sheeting, bracing, shoring, underpinning, coffer-damming, etc. The Contractor shall assume the entire and sole responsibility for damages on account of injury to persons or damage to adjacent pavements and public and private property (including, but limited to, the work under construction, existing buildings, facilities, etc.) which injury or damage results directly from said Contractor's failure to install or to leave in place adequate and sufficient supports, sheeting, bracing, underpinning, coffer-damming, etc.
- C. The Contractor shall submit his proposed sheeting and/or shoring design to the Engineer, and any others required by law, prior to the installation of any sheeting and/or shoring. These plans should include, but not be limited to, the type of sheeting or shoring, sizes and dimensions, bracing, spacing, methods of installation and removal, methods of dewatering, etc., and computations verifying same.
- D. Sheeting, shoring, or other timbering shall be used and removed for the entire excavation required for the pool demolition work and any excavation over 5' in depth, unless otherwise directed by the Engineer.
- E. It is expressly understood and agreed that removing or leaving in place any sheeting or shoring, etc., shall not relieve the Contractor from any responsibility for any loss or damage whatever due to omission of or failure of the sheeting, the settling of the backfill, or any movement of the ground, or any structure or object adjacent to any trench or excavation made by the Contractor. The Engineer will not order any sheeting, left in place at the expense of the Owner, in order to accommodate the convenience of the Contractor or to save him the cost of its removal.
- F. There shall be no obligation on the part of the Engineer to issue orders for sheeting to be left in place and/or to pass upon sufficiency and adequacy of sheeting; nor shall the failure on the part of the Engineer to give such orders relieve the Contractor from liability for damages on account of injury to persons



or damage to property occurring from or upon the work and occasioned by negligence, or otherwise growing out of the Contractor's failure to either install sufficient and adequate sheeting and/or stay-bracing or to leave in place in the excavation sufficient and adequate support to prevent the caving in or moving of the ground adjacent to the sides of the excavation during and after the backfilling operation.

- G. All sheeting, shoring and bracing removed shall be carefully removed from the excavation in such a manner as not to endanger the completed work or any adjacent pavements, buildings, structures, utilities, property, etc. All voids left or caused by the withdrawal of such sheeting, shall be immediately refilled with approved material and compacted by methods approved by the Engineer (ramming, tamping, puddling, or other methods approved by the Engineer) and at no additional cost to the Local Public Agency.
- H. Where wood sheeting has been driven below the excavation bottom to provide for a "toe-in," no wood sheeting below the top of pipe or structure shall be removed, but instead cut off at this elevation and the remaining sheeting above this line removed as described herein. There will be no payment made for this work, nor for the wood sheeting left-in-place.

### **QUANTITY AND PAYMENT**

No specific payment will be made for Temporary Sheeting, Bracing and/or Benching and Sloping of Excavations. Any cost for Temporary Sheeting, Bracing and/or Benching shall be distributed among the various items bid in the proposal and shall include the cost of, any and all materials, all labor and equipment and all else necessary therefore and incidental thereto and in accordance with the Plans and Specifications or as directed by the Engineer.

**END OF SECTION**

## SITE GRADING

### DESCRIPTION

Site Grading shall include but is not limited to grading, excavation, removal and disposal of excavated material from the project site, importation of certified clean fill to the project site, preparing and compacting all material required for construction of the sub-grade of the entire disturbed area, **furnishing a third party soils engineer for testing and verification of compaction** and all incidental work necessary to restore the site to the existing grades prior to demolition work. It should be noted that the contractor is responsible to fill in the area of the dive tank, filter pit and various other excavated items to match the preconstruction grades surrounding them. The final grades shall provide a smooth and level surface that are graded to encourage positive runoff to be collected by the existing lawn drains and is done to the satisfaction of the Engineer and Owner.

### SUBMITTALS

Product Data:

**Soils Engineer:** The Contractor is responsible to furnish a third party Geotechnical Engineer that is licensed to do work in the State of New Jersey. The contractor shall submit the qualifications for review and approval to the Owner and/or Engineer prior to authorizing them to perform the work. The Geotechnical Engineer will be responsible to review and certify that the proposed controlled fill meets the required soil characteristics as specified as well as to certify that the material was compacted properly and meets the required densities. A report that is signed and sealed by a New Jersey Professional Engineer shall be furnished within 30 days of completion.

NOTE: The Contractor shall provide the Engineer with certification attesting that any material imported is free of contaminants, certified clean and suitable for this application. The soil shall be smooth, soft and free of depressions, clods, mounds, stones, or other debris as approved by the Soils Engineer. The fill material for the excavations shall be Dense Graded Aggregate from a virgin source and shall meet the NJDOT classification. All fill material shall be certified clean.

### PROJECT CONDITIONS

Protect existing trees and plants during performance of the Work unless otherwise indicated. Box trees and plants indicated to remain within the grading limit line with silt fence as required. Protect root systems from smothering. Do not store excavated material, or allow vehicular traffic or parking within the branch drip line. Restrict foot traffic to prevent excessive compaction of soil over root systems.

Cold Weather Requirements:

- When freezing temperatures are predicted, do not excavate to final required elevations for concrete Work unless concrete can be placed immediately. Retain enough earth over the bottom elevation of footings to prevent frost penetration. If excavation has progressed to final footing elevations and concrete cannot be placed immediately, cover the bottom of the excavations with protective material to adequately insulate the exposed earth surface from frost. Remove protective material immediately before placing concrete.

- Do not backfill between November 1 and April 1, except with written permission of the Engineer.

## **MATERIALS**

Controlled Fill:

- a) Dense Graded Aggregate (DGA), with less than 20% passing the #200 sieve, certified clean
- b) On site Topsoil is unsuitable for use as backfill or controlled fill.

NOTE: The Contractor shall provide the Engineer with certification attesting that any material imported is free of contaminants, certified clean and suitable for this application. The soil shall be smooth, soft and free of depressions, clods, mounds, stones, or other debris as approved by the Engineer.

## **METHOD OF CONSTRUCTION**

### **UNDERGROUND UTILITIES**

Locate existing underground utilities and service connections prior to commencing demolition work. Determine exact utility locations by hand excavated test pits. Support and protect utilities to remain in place.

### **EXCAVATION**

Excavate earth and concrete foundations, pool walls and floor and various other items as required for the Demolition Work.

Maintain sides and slopes of excavations in a safe condition until completion of backfilling. Comply with Code of Federal Regulations Title 29 - Labor, Part 1926 (OSHA).

Stockpiled materials shall be kept to a minimum and stockpiles shall be limited to within the limit of the disturbance. All excavated material must be disposed of at an offsite facility and shall not be utilized for backfill material. Place, grade, and shape stockpiles for proper drainage as approved by the Engineer.

### **DEWATERING**

Prevent surface and subsurface water from flowing into excavations and trenches and from flooding the site and surrounding area.

### **PLACING FILL AND BACKFILL**

Surface Preparation of Fill Areas: Strip topsoil, remaining vegetation, and other deleterious materials prior to placement of fill. Break up or scarify old pavements to a maximum of 2 square feet.

Excavations: Backfill as promptly as practicable, but only after approval by the Engineer. Do not backfill with excavated material unless it meets the requirements of this Section.

Place backfill and fill materials in layers not more than 12 inches thick in loose depth and compacted with a 10 ton vibratory roller or equivalent as approved by the Soils Engineer.. Before compaction, moisten or aerate each layer as necessary to facilitate compaction to the required density. Do not place backfill or fill material on surfaces that are muddy, frozen, or covered with ice.

## COMPACTION

Compact each layer of fill and backfill for the following area classifications to the percentage of maximum Modified Proctor dry density specified below and at a moisture content suitable to obtain the required densities, but at not less than 3 percent drier or more than 2 percent wetter than the optimum content as determined by ASTM D 698.

- All Areas within Pool Complex: 95 percent

Field density tests shall be made by the Soils Engineer to determine the actual in-situ density attained in each layer of fill. No fill shall be placed over a layer that has not been tested and approved. Any layer showing less than 95% of maximum Modified Proctor dry density shall be reworked until the required density is obtained. Field density tests shall conform to ASTM-D2167, ASTM D2922, or ASTM D1556.

## RESTORATION

Restore pavements, walks, curbs, lawns, and other exterior surfaces damaged during performance of the Work to match the appearance and performance of existing corresponding surfaces as closely as practicable.

Topsoil and hydroseed damaged lawn areas outside of the project area as directed. Water as required until physical completion of the Work.

## DISPOSAL OF EXCESS AND UNSUITABLE MATERIALS

Remove from the project site and dispose of excavated materials, including materials resulting from clearing and grubbing and removal of existing improvements.

Transport excess and unsuitable materials, including materials resulting from clearing and grubbing and removal of existing improvements, to spoil areas away from the project site.

## PROTECTION

Protect areas from traffic and erosion, and keep them free of trash and debris.

## QUANTITY AND PAYMENT

No specific payment will be made for Site Grading. Any cost for Site Grading shall be included in the lump sum price **DEMOLITION AND BACKFILL** in the Proposal, which price shall include the cost of furnishing all equipment, labor, and all materials for excavation, placing backfill, placing controlled fill, importing of clean fill, compaction of soil, furnishing of Geotechnical Engineer and all else necessary therefor and incidental thereto.

## **DENSE GRADED AGGREGATE**

### **DESCRIPTION**

This item shall include the placement of 3/4" Dense Graded Aggregate, including all necessary excavation and removal of all earth, rock, boulders, brick, stone and concrete masonry, including small structures and other materials encountered. It shall also include all necessary transportation, grading, placement and disposal of material.

### **MATERIALS**

The stone shall be free from pieces coated with clay, caked stone dust and other objectionable materials. It shall not contain more than 5% of weathered and decomposed rock, not more than 5% of stone of types other than the type being used, in accordance with the Specifications, and not more than 7% by weight of flat or elongated pieces. A flat piece shall be one in which the ratio of the width to thickness of its circumscribing rectangular prism is greater than 5:1, and an elongated piece shall be one in which the ratio of the length to width of its circumscribing rectangular prism is greater than 5:1. The percentage of wear shall be determined in accordance with A.A.S.H.T.O. Designation T3. All Dense Graded Aggregate shall be certified clean.

### **METHODS OF CONSTRUCTION**

Excavation and backfill of the Dense Graded Aggregate shall be in accordance with Section 202, Roadway Excavation of the Standard Specifications.

### **QUANTITY AND PAYMENT**

No specific payment will be made for Dense Graded Aggregate. The cost for Dense Graded Aggregate shall be included in the lump sum price **DEMOLITION AND BACKFILL** in the Proposal, which price shall include the cost of furnishing all equipment, labor, and all materials for backfill of the excavation and all else necessary therefor and incidental thereto.

**-- END OF SECTION --**

## TOPSOILING AND HYDROSEEDING

### DESCRIPTION

Provide topsoil(6" thick), fertilizer, hydro-seeding, and mulch for all disturbed and graded proposed lawn areas within the limit of disturbance or disturbed by the contractor as per plans and as directed by the Engineer. All seeded areas shall be watered daily to establish turf. Contractor shall water all seeded areas daily and as required to establish new turf/new lawn areas. Contractor shall be responsible providing water to the site to water all seeded and landscaped areas.

### PART TWO - PRODUCTS

#### 2.1 MATERIALS

Topsoil shall be screened topsoil and shall contain no stones, lumps, roots, or similar objects larger than 1/2 inches in any dimension, and shall have a pH value of not less than 5.8. When the pH value of the topsoil is less than 5.8, it shall be increased by applying ground limestone at a rate necessary to attain a pH value of 6.5.

Material stripped from the following sources shall not be considered suitable for use as topsoil.

- Soils having a pH value less than 4.1
- Chemically contaminated soils.
- Areas from which the original surface has been stripped and/or covered over, such as borrow pits, open mines, demolition sites, dumps, and sanitary landfills.
- Inacceptable wet excavation.

Topsoil furnished from sources outside the limits of the project shall have a minimum organic content of not less than 2.75 percent by weight. When the organic content of the topsoil furnished from sources outside the limits of the project is less than 2.75 percent, it shall be increased by adding peat at a rate necessary to attain this minimum organic content. The organic content of soils shall be determined by the Laboratory using the chromic acid titration method, as described in the United States Department of Agriculture's Circular 757.

The organic content of all topsoil used for planting shall conform to the requirements specified above.

The gradation of the topsoil furnished from sources outside the limits of the project shall be determined by the Laboratory, using the Bouyoucos Hydrometer Analysis conforming to the requirements of current A.A.S.H.O. Designation T88. The gradation of the topsoil shall be within the following ranges:

Sand (1.00 MM to 0.25 MM) 70% to 80%  
Silt and Clay (less than .25 MM) 20% to 30%

A percolation rate of 1 inch/Hour to 2 inch/Hour is required after root growth by the sod has been established.

The materials to be used for topsoiling shall conform to the appropriate articles as follows:

Fertilizer, 5-10-5 Commercial Designation .....	Sec. 909.02
Ground Limestone .....	Sec. 909.03
Mulch, Hay .....	Sec. 909.04
Grain Seed.....	Sec. 909.06
Topsoil .....	Sec. 909.10
Grass Seed Mixture.....	Hydroseed (SEE PLAN FOR NATIVE SEED MIX)

The seed mix shall be furnished and delivered premixed. A manufacturer's certificate of compliance to the specified mixes shall be submitted by the manufacturer.

**PART THREE - EXECUTION**

**3.1 METHODS OF CONSTRUCTION**

The topsoil shall be spread over the surface in a uniform layer that will produce the prescribed compacted thickness of at least six (6") inches. When required, ground limestone which has been protected from moisture and is dry and free flowing, shall be evenly spread over the area to be seeded at a rate that will produce a pH value of the soil of 6.5. The area shall then be raked, disked or otherwise worked to incorporate the limestone into the upper 3 to 4 inches of soil to remove stones, roots, debris and other unsuitable material and to form an even surface. Fertilizer shall be applied at the rate of 1200 pounds per acre. Topsoil shall be screened topsoil and shall contain no stones, lumps, roots, or similar objects larger than 1/2 inches in any dimension.

The contractor shall seed only on a calm day. No seeding shall be performed on frozen ground or when the temperature is 32 degrees Fahrenheit or lower. Schedules for fertilizing and seeding must be submitted to the engineer for approval prior to the work. Seeding shall be done within ten days following soil preparation. All seeded areas shall be mulched with salt hay, penn mulch or approved equal.

Fertilizer shall be 5-10-5 and shall be applied at a rate of 325 lbs. per acre.

Virgin wood fiber mulch shall be applied at a rate of 1500 lbs. per acre.

**QUANTITY AND PAYMENT**

No specific payment will be made for Topsoil, 6" Thick and Hyrdoseeding. Any cost for Topsoil, 6" Thick and Hyrdoseeding shall be included in the lump sum price for SITE RESTORATION AND FINAL CLEANUP bid item in the proposal and shall include the cost of, any and all materials, all labor and equipment to install the topsoil, hydroseed, fertilizer, mulch and all water required to establish lawn areas and all else necessary therefore and incidental thereto and in accordance with the Plans and Specifications or as directed by the Engineer.

**-- END OF SECTION --**

## **FINAL CLEANUP / SITE RESTORATION**

### **DESCRIPTION**

Under this item the Contractor shall restore the work site and access area to its original condition including, but not limited to installation of both temporary and permanent striping, signs, topsoil, seeding, fences, hedges, re-grading, seeding, repair of driveways, (both bituminous and concrete) sidewalks, roadways, curbs, cleaning and removal of stockpiles and equipment, cleaning of storm drain inlets (existing and proposed) and storm drain piping (existing and proposed) and any underground conduit encountered and all else not specifically covered elsewhere in these specifications.

### **MATERIALS**

N. J. Department of Transportation Standard Specifications.

### **CONSTRUCTION**

The site shall be returned to its original condition. Fences shall be reinstalled with posts in concrete footings in accordance with specifications herein. Hedges shall be reinstalled where possible or replaced in kind and in the same locations as existing. Lawn areas disturbed by Contractor's activities shall be re-graded, seeded and mulched as specified by the Engineer. Temporary safety fence shall be removed and returned to the Department of Public Works, and the holes repaired. Cleaning shall include hand brooming of sidewalk and pavement areas. Adjacent structures shall be cleaned, as necessary, by a method approved by the Engineer. Sidewalks shall be replaced with 4 inch thick concrete walk in evenly sized slabs, sawcut where necessary, only to the extent damaged by the construction. Both concrete and bituminous concrete shall be repaired as specified by the Engineer sawcut where necessary, only to the extent damaged by the construction. All construction equipment and stockpiles shall be removed from the site and disposed of by the Contractor in a suitable and timely manner.

The existing downstream storm conveyance system shall be cleaned including existing storm piping and storm inlets. Contractor shall ensure that existing storm drain system and proposed storm drain system are free flowing.

### **QUANTITY AND PAYMENT**

Site Restoration will not be measured and payment will be made at the lump sum price bid for the item **SITE RESTORATION AND FINAL CLEANUP** in the Proposal, which price shall include the cost of all materials, labor, tools and equipment and all else necessary therefore and incidental thereto.

**-- END OF SECTION --**



## **WATER CONNECTION RELOCATION**

### **DESCRIPTION**

Under this item the Contractor shall be responsible to relocate the existing 1-1/2" water line that is located on the backside of the filter building to within the water valve pit located within the pool complex. The new connection will consist of installation of the appropriate shut off valves and necessary connections as required by the County. This work shall be coordinated with the County and performed at a time that is convenient for them as the current line is utilized to fill the pools.

### **MATERIALS**

As required, but that shall meet all local, state and federal standards and codes.

### **CONSTRUCTION**

The Contractor shall be responsible to coordinate with the County regarding the shut down of the water connection and installation of a new line. In addition, the Contractor shall consult with the County to determine the exact requirements for the new water connection. A proposal shall be submitted to the Engineer/Owner for review and approval prior to ordering and proceeding with said work.

### **QUANTITY AND PAYMENT**

Compensation for the Relocation of the Water Connection shall be paid out of the Allowance for the **Water Connection Relocation** and will only be paid up to the authorized amount. The Contractor is not entitled to the total allowance amount.

**-- END OF SECTION --**

## **HOT MIX ASPHALT PATHWAY (ALTERNATE BID)**

### **DESCRIPTION**

This work shall consist of the removal of the existing asphalt pathway and the furnishing and placing of hot mix asphalt surface course on the prescribed surfaces, locations, in the specified thicknesses necessary for the construction of the proposed pedestrian pathways in accordance with the Plans and Specifications within the project limits. This work is related to the replacement of the asphalt pathway utilized for site access.

### **MATERIALS**

The composition of the Hot Mix Asphalt Mix 9.5M64 Course shall be coarse aggregate, fine aggregate, mineral filler and asphalt cement. These shall be as shown in the Standard Specifications, except that the materials shall conform to the requirements as shown for "Stone Mix". All reference to gravel mix is deleted.

### **CONSTRUCTION**

After spreading and strike off, and while hot, each course shall be compacted thoroughly and uniformly by rolling. The rolling shall be done with a three-wheel ten (10) ton roller until the mixture is thoroughly compacted to the satisfaction of the Engineer.

A tack coat shall be applied to any one or more layers of the Hot Mix Asphalt, if in the opinion of the Engineer such layer or layers become coated with dust, dirt, or other foreign material sufficiently to prevent a good bond between the layers of Base Course or between the completed Base Course and Surface Course.

### **QUANTITY AND PAYMENT**

Quantity and Payment for Hot Mix Asphalt Surface Course, Mix 9.5M64 will be made in accordance with the Contract Documents at the square yard price bid for the item **HOT MIX ASPHALT PATHWAY** in the Proposal, which shall cover the cost of removal and disposal of the existing asphalt, laying of new asphalt, tack coat, testing, compaction, repair, replacement, excavation, backfill, and all labor, tools, equipment and materials necessary therefore and incidental thereto or as directed by the Engineer.

Quantity and Payment for DGA shall be included in the square yard price bid for the item **HOT MIX ASPHALT PATHWAY** in the Proposal and will not be paid as a separate item.

**-- END OF SECTION --**

# **APPENDIX A -**

**“ASBESTOS SURVEY REPORT”**



20-21 Wagaraw Road – Bldg. 35E, Fair Lawn, NJ 07410  
PH (973) 636-9145 FAX (973) 636-9144  
Email: [envirovision@optonline.net](mailto:envirovision@optonline.net)

## ASBESTOS SURVEY REPORT

CONDUCTED AT

Walter E Ulrich Memorial Pool  
Saint George Ave.  
Rahway, NJ 0765




CONDUCTED FOR


NEGLIA ENGINEERING  
34 Park Ave. P.O. Box 426  
Lyndhurst, NJ 07071

ENVIROVISION PROJECT No.: 17-093

REPORT PREPARED BY:

  
STEVEN AUDENRIED  
PROJECT MANAGER  
MARCH 15, 2017

REPORT REVIEWED BY:

  
FREDERICK LARSON  
VICE PRESIDENT  
MARCH 15, 2017



## TABLE OF CONTENTS

1. Introduction .....	Page 1
2. Survey Protocol .....	Page 2-3
3. Analytical Laboratory & Sample Information .....	Page 3-4
4. Survey Results .....	Page 5
5. Recommendations.....	Page 6
Appendix A : Certificates of Analysis & Chains of Custody	
Appendix B: Individuals Certifications	

## 1. INTRODUCTION

EnviroVision Consultants, Inc. was contracted by Neglia Engineering Associates, to conduct an full NESHAPS Type Survey including associated bulk sampling and analysis for an upcoming demolition project at **Walter E Ulrich Memorial Pool**. This full NESHAP Type Survey includes the Dive tank, storage shed, and equipment shed.

The National Emissions Standard for Hazardous Air Pollutants (commonly referred to as NESHAPs and found in 40 CFR Part 61, subpart M) regulates demolition and renovations of “facilities” that may contain Asbestos Containing Materials (ACMs). “Facilities,” as defined by NESHAPs, includes any institutional, commercial, public, industrial, or residential structure or building, *except* residential buildings having four or fewer units (***unless the intended future use of the property will fall under the NESHAPS regulations***). ACMs are defined in NESHAPs as materials containing more than 1 percent asbestos [as determined by Polarized Light Microscopy (PLM) or Transmission Electron Microscopy (TEM)].

On March 11, 2017, an Environmental Technician – Steven Audenried, from EnviroVision Consultants, Inc. who is a certified US EPA accredited AHERA (Asbestos Hazard Emergency Response Act) Building Inspector, performed a survey and collection of samples in accordance with all applicable federal and state rules and regulations.

Guidelines used for the inspection were established by the Environmental Protection Agency (EPA) National Emissions Standard for Hazardous Air Pollutants (NESHAPS) 40 CFR Part 61, Subpart M and/or the Asbestos Hazard Emergency Response Act (AHERA) 40 CFR Part 763.

Asbestos is a family of six naturally occurring minerals (hydrated silicates) that in the past has been mined, processed and used as a raw ingredient in various types of construction materials. Many types of thermal insulation contain asbestos fibers. Asbestos was also commonly added to cement, plasters, vinyl composite materials, textiles, adhesives, gaskets and other materials to enhance their fire rating and strength.

Today, asbestos is a known human carcinogen and is banned as construction material in all but a few select products. Asbestos Containing Materials (ACM) that are damaged and friable (having the ability to be pulverized by hand pressure) release microscopic asbestos fibers into the air, where inhalation by individuals is the main route of entry of the Carcinogenic fibers. Long term inhalation of asbestos fibers can lead to lung cancer, asbestosis (scarring of the lung tissues) and mesothelioma (cancer of the pleural lining).

## 2. SURVEY PROTOCOL

A brief walk through of the structure to be surveyed allowed conclusions to be made concerning the number of samples needed and the location of the bulk samples to be collected.

During the inspection, the various building construction materials were categorized into "homogeneous areas" based upon material types, approximate dates(s) of construction, building system/function and appearance.

Bulk sampling was conducted in accordance with the procedures outlined in AHERA (40 CFR 763.86 Sampling). These procedures required a random method, which was used to select sampling locations from each homogeneous sampling area. A homogeneous area is defined as an area of surfacing material, or miscellaneous material that is uniform in color and texture. The procedures followed for the actual collection of each bulk sample are outlined briefly below:

- The areas to be sampled were wetted to minimize the release of fibers to the air.
- The samples were extracted with the appropriate implements and sealed within a sample container.
- The sample containers were labeled with an identification number. The I.D. # was recorded on a data sheet.

EnviroVision conducted this survey using semi and non-destructive methods. Additional material could be discovered within walls, ceiling plenums, floors, or any other building component that was not or could not be accessed. Should any unknown materials (materials not identified in this report) be discovered during upcoming renovations or demolition, they will need to be properly identified and addressed prior to continuing with the project.

The observations described in this report were made under the conditions stated therein. The conclusions presented in the report were based solely upon the services described therein, and not on scientific tasks or procedures beyond the scope of described services. The conclusions and recommendations contained in this report are based on limited survey/testing of accessible and designated suspect building materials, visual observations, and were arrived at in accordance with generally accepted standards of for asbestos building surveys. The testing conducted at the site was limited in scope, and cannot be considered representative of areas not surveyed, nor of time periods other than during the survey period.

### 3. ANALYTICAL LABORATORY & SAMPLE INFORMATION

Analyses of all samples were performed by EMSL Analytical, at their New York, New York location. EMSL is certified by the National Voluntary Laboratory Accreditation Program (NVLAP), National Institute of Occupational Safety, and Health (NIOSH) and the American Industrial Hygiene Association (AIHA). All records, including Quality Assurance/Quality Control (QA/QC), 'Chains of Custody' and 'Certificates of Analysis' are attached in Appendix A.

Asbestos Containing Materials (ACM) is defined by the USEPA, OSHA, NJDCA, NJDHSS & NYDOH as any material or product which contains greater than one percent (>1%) asbestos, usually by weight.

All friable bulk samples were analyzed by Polarized Light Microscopy (PLM) coupled with dispersion staining in general accordance with EPA 600/M4-82-020 and EPA 600/R-93/116 (July 1993). If the samples contained a 'problem matrix' or a high calcium carbonate content (found in some plaster and wallboard samples), further analysis via gravimetric reduction is performed on these samples.

All 'Non-friable, Organically Bound' (NOB's, i.e., floor tiles, mastics, roofing samples, caulks, etc) bulk samples were analyzed via Transmission Electron Microscopy (TEM) per the EPA/600/R-93/116 (July 1993) methodology.

In July, 2006, The New Jersey Department of Labor & Workforce Development, along with The New Jersey Department of Health and Human Services adopted emergency regulations requiring that all bulk sample analysis must be performed via the newer '1993 Method for Determination of Asbestos in Bulk Building Materials' (EPA 600/R-93/116) instead of the '1982 Method', due to the inability of PLM analysis to detect thin or extremely short fibers (less than 1 micrometer in length) generated during the milling process, and the difficulty of separating asbestos fibers and bundles from the resinous matrix, which may lead to false negatives or under estimates of the amount of asbestos fibers present in the sample. This ruling thus eliminating PLM analysis for NOBs.

The State of New York Department of Health (NYDOH) has issued the following requirements as of August 3, 1992: *"Polarized Light Microscopy (PLM) is not consistently reliable in detecting asbestos in floor coverings and similar Non-friable Organically Bound materials. Before this material can be considered or treated as non-asbestos-containing, confirmation must be made by quantitative Transmission Electron Microscopy (TEM).*



The superior resolution of TEM can detect the presence of asbestos fibers well beyond the range of PLM analysis. In addition, the use of Selected Area Electron Diffraction (SAED) and Energy Dispersive Spectroscopy (EDS) can positively identify asbestos fibers in the sample.

The New York State Department of Health has recently revised the PLM Stratified Point Counting Method. The new method, "Polarized Light Microscopy Methods for Identifying and Quantitating Asbestos in Bulk Samples" can be found as item 198.1 in the ELAP Certification manual. Please indicate the State of origin on the Chain of Custody form for all samples submitted to the laboratory.

Layered Samples – EPA's National Emissions Standards for Hazardous Air Pollutants (NESHAP) (40 CFR 61 Subpart M, November 1990) policy regarding layered bulk samples has recently changed. In the past, laboratories were required to analyze individual layers of multi-layered bulk samples separately, but report the results in terms of quantity of asbestos for the composite sample. The recent policy change requires the layers be analyzed separately and reported as such. Additionally, materials are to be characterized as asbestos or non-asbestos based on the results of the individual layers. Additional charges (each layer is a separate sample analysis) will be applied to both friable and non-friable multi-layered bulk samples.

Surface Wipe Samples – Due to the fact that a large percentage of asbestos fibers released from deteriorating ACM or from improperly performed abatement activities are on the order of 5 micrometers or less, and are near or below the resolution of a Polarized Light Microscope, EnviroVision Consultants, Inc., recommends that negative surface wipe samples be confirmed utilizing TEM to determine asbestos contamination when dust is visually present. EnviroVision does not recommend surface wipe samples as a Final Clearance Method.

## 4. SURVEY RESULTS

EnviroVision's AHERA accredited Building Inspector collected a total of two (02) bulk samples for analysis via Polarized Light Microscopy (PLM) and eight (08) bulk samples for analysis via Transmission Electron Microscopy (TEM).

Based upon our experience and the results of our survey, and analysis of the bulk samples (see attached documents), analytical results reveal that no ACM was found.

**-No ACM was found**

**Results of the laboratory analyses of the suspect asbestos bulk samples collected are included in Table 1 attached**

## 5. Recommendations

The United States Environmental Protection Agency (USEPA), and the Occupational Safety and Health Administration (OSHA) are the main federal agencies that have established regulations & guidelines for the safe removal and disposal of Asbestos.

Typically a building owner first hires a firm with asbestos experience to oversee the entire asbestos removal process, except for the actual removal itself. This asbestos consulting firm would design the removal of identified ACMs, and monitor the removal operations. The asbestos abatement contractor would be hired separately, since a conflict of interest could arise if the asbestos abatement contractor performs any of the other activities on a site (such as inspecting, designing, and monitoring).

Asbestos Containing Material (ACM) and Presumed Asbestos Containing Material (PACM) must be removed/abated by New Jersey Department of Labor & Workforce Development (NJDLWD) licensed Asbestos Abatement contractor, prior to demolition/renovation activities that may have the possibility of disturbing the (ACM) material. The friable ACMs and non friable ACMs that have to be removed prior to demolition of a building are referred to as Regulated Asbestos-Containing Materials (RACM). Not all ACMs must be removed prior to demolition, however. Some materials, called Category I non friable ACMs *may* be left in a demolished building under certain circumstances. Category I non friable ACMs include flooring materials, asphaltic roofing products, valve packings and gaskets, and pliable mastics and sealants in good condition. A third category of material, Category II non friable ACMs include all other non friable materials that are not Category I. A common Category II non friable material is asbestos-cement products (often referred to as "Transite®"). Like RACM, Category II non friable ACM must be removed from a building prior to demolition.

Except in unique circumstances (such as an ordered demolition), NESHAPs requires that a building owner notify the regulatory agency through a written form at least ten (10) working days before demolition activities begin, ***even if the building has no ACM***. Enclosed please find a copy of the USEPA Notification of Demolition/Renovation. The USEPA demolition notification must be delivered to:

**US EPA – REGION II**  
**Asbestos Coordinator- Robert Fitzpatrick**  
**Air Compliance Branch – 21<sup>st</sup> Floor**  
**290 Broadway**  
**NY, NY 1007-1866**

In New Jersey, the New Jersey Department of Labor and Workforce Development and New Jersey Department of Environmental Protection (DEP) have regulations regarding licensing of workers & contractors, work practices and transportation/disposal of Asbestos Containing Materials (ACM) respectively. NESHAPs require that an Asbestos Competent Person be onsite during any renovation or demolition activities to identify ACMs that may be uncovered.

**Table 1**

Dive Tank & Sheds for Demolition  
Walker E Ulrich Memorial Pool  
Saint George Ave. Rahway, NJ 07065

LIST OF ASBESTOS CONTAINING MATERIAL (ACM)

<u>LOCATION</u>	<u>TYPE OF MATERIAL</u>
None	None

**-No ACM was found**

**Notes:**

**If quantities of Asbestos Containing Material are provided, they are for very rough and for informational purposes. Actual quantities were not measured out at the site. Contractor that may be submitting proposals for this work need to field verify the actual quantities and site conditions**



# EMSL Analytical, Inc.

1056 Stelton Road Piscataway, NJ 08854

Tel/Fax: (732) 981-0550 / (732) 981-0551

http://www.EMSL.com / piscatawaylab@emsl.com

<b>EMSL Order:</b> 051700987
<b>Customer ID:</b> RAMA51
<b>Customer PO:</b> CC169546
<b>Project ID:</b>

<b>Attention:</b> Fred Larson EnviroVision Consultants, Inc 20-21 Wagaraw Rd. Bldg. 35E Fair Lawn, NJ 07410	<b>Phone:</b> (973) 636-9145 <b>Fax:</b> (973) 636-9144 <b>Received Date:</b> 03/11/2017 10:15 AM <b>Analysis Date:</b> 03/15/2017 <b>Collected Date:</b> 03/11/2017
<b>Project:</b> 17-093/Neglia Engineering Associates, Walter E Ulrich Memorial Pool Storage, St George Ave, Rahway, NJ 07065	

## Test Report: Asbestos Analysis of Non-Friable Organically Bound Materials by TEM via EPA/600/R-93/116 Section 2.5.5.1

Sample ID	Description	Appearance	% Matrix Material	% Non-Asbestos Fibers	Asbestos Types
A-1 051700987-0001	Storage Shed Window - Caulk (Brown)	Brown Non-Fibrous Homogeneous	100	None	No Asbestos Detected
A-2 051700987-0002	Storage Shed Window - Caulk (Brown)	Brown Non-Fibrous Homogeneous	100	None	No Asbestos Detected
A-3 051700987-0003	Storage Shed Roof - Shingle (Brown)	Black Non-Fibrous Homogeneous	100	None	No Asbestos Detected
A-4 051700987-0004	Storage Shed Roof - Shingle (Brown)	Black Non-Fibrous Homogeneous	100	None	No Asbestos Detected

Analyst(s)

Chaiyut Sae Lao (4)

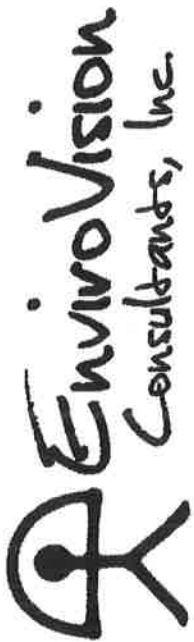
Chaiyut Sae Lao, Laboratory Manager  
or other approved signatory

This laboratory is not responsible for % asbestos in total sample when the residue only is submitted for analysis. The above report relates only to the items tested. This report may not be reproduced, except in full, without written approval by EMSL Analytical, Inc. Samples received in good condition unless otherwise noted. Unless requested by the client, building materials manufactured with multiple layers (i.e. linoleum, wallboard, etc.) are reported as a single sample.

Samples analyzed by EMSL Analytical, Inc. Piscataway, NJ NYS ELAP 11423

Initial report from: 03/15/2017 12:56:35

051700987



20-21 Wagaraw Road - Bldg. 35E, Fair Lawn, NJ 07410  
PH (973) 636-9145 FAX (973) 636-9144  
Email: Envirovision@optonline.net

CLIENT: Neglia Engineering Associates ADDRESS: 34 Park Ave. P.O. Box 426 Lynhurst, NJ 07071  
PROJECT: Walter E Ulrich Memorial Pool ADDRESS: St George Ave., Rahway, NJ 07065  
TECH: Steven Audenried SAMPLING DATE: 03/10/16 PR. No.: 17-093

### ASBESTOS BULK SAMPLING DATA SHEET


SAMPLE NO.	SAMPLE LOCATION	SAMPLE DESCRIPTION (bulks)
A-1	Storage Shed window	Caulk (Brown)
A-2	Storage Shed window	" " "
A-3	Storage Shed roof	Shingle (Brown)
A-4	Storage Shed roof	Shingle (Brown)

#### ANALYSIS:

PLM - EPA 600/R-93/116(PLM)

Transmission Electron Microscopy(TEM)

#### CHAIN OF CUSTODY

Relinquished By: 	Received By: <u>DM</u>	Date & Time RECEIVED: <u>MAR 11 2017</u>

TURNAROUND TIME 48 HR TAT

LABORATORY SUBMITTED TO: Envirovision Analytical

FAX RESULTS TO: (973) 636-9144 /email to: envirovision@optonline.net BY DM 10:50am PAGE 1 OF 1



# EMSL Analytical, Inc.

1056 Stelton Road Piscataway, NJ 08854

Tel/Fax: (732) 981-0550 / (732) 981-0551

http://www.EMSL.com / piscatawaylab@emsl.com

<b>EMSL Order:</b> 051700984
<b>Customer ID:</b> RAMA51
<b>Customer PO:</b> CC169546
<b>Project ID:</b>

<b>Attention:</b> Fred Larson EnviroVision Consultants, Inc 20-21 Wagaraw Rd. Bldg. 35E Fair Lawn, NJ 07410	<b>Phone:</b> (973) 636-9145 <b>Fax:</b> (973) 636-9144 <b>Received Date:</b> 03/11/2017 10:15 AM <b>Analysis Date:</b> 03/15/2017 <b>Collected Date:</b> 03/11/2017
<b>Project:</b> 17-093/Neglia Engineering Associates, Walter E Ulrich Memorial Pool Equipment, St George Ave, Rahway, NJ 07065	

## Test Report: Asbestos Analysis of Non-Friable Organically Bound Materials by TEM via EPA/600/R-93/116 Section 2.5.5.1

Sample ID	Description	Appearance	% Matrix Material	% Non-Asbestos Fibers	Asbestos Types
B-1 051700984-0001	Dive Tank Equipment Shed Roof - Shingles (Brown)	Black Non-Fibrous Homogeneous	100	None	No Asbestos Detected
B-2 051700984-0002	Dive Tank Equipment Shed Roof - Shingles (Brown)	Black Non-Fibrous Homogeneous	100	None	No Asbestos Detected
B-3 051700984-0003	Dive Tank Equipment Shed Exterior Wall - Tar Paper (Black)	Black Non-Fibrous Homogeneous	100	None	No Asbestos Detected
B-4 051700984-0004	Dive Tank Equipment Shed Exterior Wall - Tar Paper (Black)	Black Non-Fibrous Homogeneous	100	None	No Asbestos Detected

Analyst(s)

Chaiyut Sae Lao (4)

Chaiyut Sae Lao, Laboratory Manager  
or other approved signatory

This laboratory is not responsible for % asbestos in total sample when the residue only is submitted for analysis. The above report relates only to the items tested. This report may not be reproduced, except in full, without written approval by EMSL Analytical, Inc. Samples received in good condition unless otherwise noted. Unless requested by the client, building materials manufactured with multiple layers (i.e. linoleum, wallboard, etc.) are reported as a single sample.

Samples analyzed by EMSL Analytical, Inc. Piscataway, NJ NYS ELAP 11423

Initial report from: 03/15/2017 12:52:17



051700984  
 20-21 Wagaraw Road - Bldg. 35E, Fair Lawn, NJ 07410  
 PH (973) 636-9145 FAX (973) 636-9144  
 Email: Envirovision@optonline.net

CLIENT: Neglia Engineering Associates ADDRESS: 34 Park Ave. P.O. Box 426 Lynhurst, NJ 07071  
 PROJECT: Walter E Ulrich Memorial Pool Equipment ADDRESS: St George Ave., Rahway, NJ 07065  
 TECH: Steven Audenried SAMPLING DATE: 03/10/16 PR. No.: 17-093

**ASBESTOS BULK SAMPLING DATA SHEET**

SAMPLE NO.	SAMPLE LOCATION	SAMPLE DESCRIPTION (bulks)
B-1	Dive tank equipment shed roof	Shingles (Brown)
B-2	" "	Shingles (Brown)
B-3	Dive tank equipment shed exterior wall	Tar Paper (Black)
B-4	" "	Tar Paper (Black)

**ANALYSIS:**

PLM - EPA 600/R-93/116(PLM)  
 Transmission Electron Microscopy(TEM)

**CHAIN OF CUSTODY**

Relinquished By:	Received By:	Date & Time
		<b>RECEIVED</b>
		MAR 11 2017

TURNAROUND TIME 48 HR TAT

LABORATORY SUBMITTED TO TEM/PLM/SCA/PAW/AF/AL

FAX RESULTS TO: (973) 636-9144 /email to: envirovision@optonline.net  
 Per phone call w/Steven analyzed via TEM - cal 3/13/17 @ 11AM





# EMSL Analytical, Inc.

1056 Stelton Road Piscataway, NJ 08854

Tel/Fax: (732) 981-0550 / (732) 981-0551

http://www.EMSL.com / piscatawaylab@emsl.com


<b>EMSL Order:</b> 051700988
<b>Customer ID:</b> RAMA51
<b>Customer PO:</b> CC117035
<b>Project ID:</b>

<b>Attention:</b> Fred Larson EnviroVision Consultants, Inc 20-21 Wagaraw Rd. Bldg. 35E Fair Lawn, NJ 07410	<b>Phone:</b> (973) 636-9145 <b>Fax:</b> (973) 636-9144 <b>Received Date:</b> 03/11/2017 10:15 PM <b>Analysis Date:</b> 03/13/2017 <b>Collected Date:</b> 03/11/2017
<b>Project:</b> 17-093/Neglia Engineering Associates, Walter E Ulrich Memorial Pool Dive Tank, St George Ave, Rahway, NJ 07065	

## Test Report: Asbestos Analysis of Bulk Materials via EPA 600/R-93/116 Method using Polarized Light Microscopy

Sample	Description	Appearance	Non-Asbestos		Asbestos
			% Fibrous	% Non-Fibrous	% Type
D-1 051700988-0001	Northside Of Dive Tank - Wall Core Sample (Inside Dive Tank)	White Non-Fibrous Homogeneous		15% Quartz 70% Ca Carbonate 15% Non-fibrous (Other)	None Detected
D-2 051700988-0002	South Side Of Dive Tank - Wall Core Sample (Inside Dive Tank)	White Non-Fibrous Homogeneous	2% Cellulose	20% Quartz 65% Ca Carbonate 13% Non-fibrous (Other)	None Detected

Analyst(s)  
Colin Slattery (2)

  
 Chaoyut Sae Lao, Laboratory Manager  
 or Other Approved Signatory

EMSL maintains liability limited to cost of analysis. This report relates only to the samples reported and may not be reproduced, except in full, without written approval by EMSL. EMSL bears no responsibility for sample collection activities or analytical method limitations. Interpretation and use of test results are the responsibility of the client. This report must not be used by the client to claim product certification, approval, or endorsement by NVLAP, NIST or any agency of the federal government. Non-friable organically bound materials present a problem matrix and therefore EMSL recommends gravimetric reduction prior to analysis. Samples received in good condition unless otherwise noted. Estimated accuracy, precision and uncertainty data available upon request. Unless requested by the client, building materials manufactured with multiple layers (i.e. linoleum, wallboard, etc.) are reported as a single sample. Reporting limit is 1%  
 Samples analyzed by EMSL Analytical, Inc. Piscataway, NJ NYS ELAP 11423, NVLAP Lab Code 101048-2, NJ NELAC 12037, Philadelphia 289

Initial report from: 03/13/2017 16:50:13

051700988



20-21 Wagaraw Road - Bldg. 35E, Fair Lawn, NJ 07410  
PH (973) 636-9145 FAX (973) 636-9144  
Email: [Envirovision@optonline.net](mailto:Envirovision@optonline.net)

CLIENT: Neglia Engineering Associates ADDRESS: 34 Park Ave. P.O. Box 426 Lynhurst, NJ 07071  
PROJECT: Walter E Ulrich Memorial Pool DIVE tank ADDRESS: St George Ave., Rahway, NJ 07065  
TECH: Steven Audenried SAMPLING DATE: 03/10/16 PR. No.: 17-093

### ASBESTOS BULK SAMPLING DATA SHEET

SAMPLE NO.	SAMPLE LOCATION	SAMPLE DESCRIPTION (bulks)
D-1	North side of dive tank	Wall case sample (inside dive tank)
D-2	South side of dive tank	Wall case sample "11"

### ANALYSIS:

PLM - EPA 600/R-93/116 (PLM)  
 Transmission Electron Microscopy (TEM)

### CHAIN OF CUSTODY

Relinquished BY:	Received By:	Date & Time RECEIVED
		MAR 11 2016

BY PLM 10:50am  
LABORATORY SUBMITTED TO: EMSI/SCARLETT

TURNAROUND TIME 48 HR TAT



20-21 Wagaraw Road – Bldg. 35E, Fair Lawn, NJ 07410  
PH-(973) 636-9145 FAX (973) 636-9144  
Email: [Envirovision@optonline.net](mailto:Envirovision@optonline.net)

### ASBESTOS BULK SAMPLE INFORMATION SHEET

Asbestos Containing Materials (ACM) is defined by the USEPA, OSHA, NJDCA, NJDHSS & NYDOH as any material or product which contains greater than one percent (>1%) asbestos, usually by weight.

Non-Friable Organically Bound (NOB) Materials – This term refers to a wide variety of building materials, such as vinyl or asphalt floor tiles, resilient floor coverings, mastics, roofing materials (asphalt shingles, flashing, roofing membrane), etc... EPA 600/M4-80-020 December 1982 calls for the analysis of suspected Asbestos Containing Materials (ACM) via Polarized Light Microscopy (PLM). However, the method has limitations when NOB materials are encountered. These limitations, such as the inability to detect thin or extremely short fibers (less than 1 micrometer in length) generated during the milling process, and the difficulty of separating asbestos fibers and bundles from the resinous matrix, may lead to false negatives or under estimates of the amount of asbestos fibers present in the sample.

For these reasons, EnviroVision recommends that when analysis by PLM yields negative results for the presence of asbestos in NOB materials, that Transmission Electron Microscopy (TEM) analysis be used. The state of New York Department of Health (NYDOH) has issued the following requirements as of August 3, 1992: *“Polarized Light Microscopy (PLM) is not consistently reliable in detecting asbestos in floor coverings and similar Non-friable Organically Bound materials. Before this material can be considered or treated as non-asbestos-containing, confirmation must be made by quantitative Transmission Electron Microscopy (TEM).”*

The superior resolution of TEM can detect the presence of asbestos fibers well beyond the range of PLM analysis. In addition, the use of Selected Area Electron Diffraction (SAED) and Energy Dispersive Spectroscopy (EDS) can positively identify asbestos fibers in the sample.

Surface Wipe Samples – Due to the fact that a large percentage of asbestos fibers released from deteriorating ACM or from improperly performed abatement activities are on the order of 5 micrometers or less, and are near or below the resolution of a Polarized Light Microscope, EnviroVision Consultants, Inc., recommends that negative surface wipe samples be confirmed utilizing TEM to determine asbestos contamination when dust is visually present. EnviroVision does not recommend surface wipe samples as a Final Clearance Method.

Point Counting – New York State Department of Health regulations now require quantification of asbestos via the “Stratified Point Count” Method for all bulk samples originating from New York State. Please indicate the State of origin on the Chain of Custody form for all samples submitted to the laboratory.

Layered Samples – EPA’s National Emissions Standards for Hazardous Air Pollutants (NESHAP) (40 CFR 61 Subpart M, November 1990) policy regarding layered bulk samples has recently changed. In the past, laboratories were required to analyze individual layers of multi-layered bulk samples separately, but report the results in terms of quantity of asbestos for the composite sample. The recent policy change requires the layers be analyzed separately and reported as such. Additionally, materials are to be characterized as asbestos or non-asbestos based on the results of the individual layers.

As a result of the new policy, EnviroVision uses laboratories that report the results of the individual layers of multi-layered bulk submitted for asbestos analysis UNLESS COMPOSITE RESULTS ARE SPECIFICALLY REQUESTED BY THE CLIENT. Additional charged (each layer is a separate sample analysis) will be applied to both friable and non-friable multi-layered bulk samples.

47849

# *National Asbestos & Environmental Training Institute*

## **CERTIFICATE OF COMPLETION**

AHERA/EPA Accredited Per 40 CFR Part 763  
Asbestos Accreditation under TSCA Title II

*This is to certify that*

***Steven Audenried***

*Successfully completed the course entitled*

**1/2-Day EPA/AHERA Asbestos Building Inspector Annual Refresher on  
October 4, 2016**

*Expiration Date on October 4, 2017*

  
Doris L. Adler  
President, NAETI

Per 10 NYCRR Part 73.2 (L) (1), DOH 2832 Certificate of Completion of Asbestos  
Safety Training is the only official record of training for N.Y.S. students.

Language: English

ABIH 1/2 CM POINT

3321 Doris Avenue, Building B, Ocean, NJ 07712

Phone (732) 531-5571

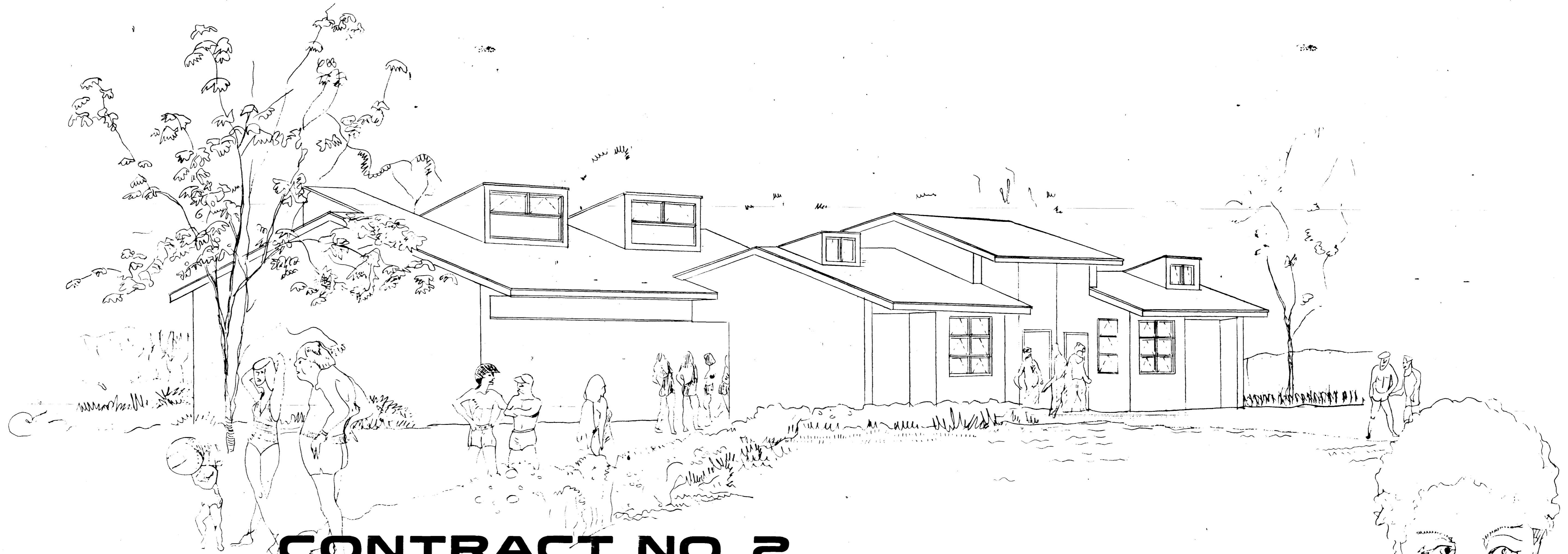
Fax (732) 531-5956

[www.naeti.com](http://www.naeti.com)

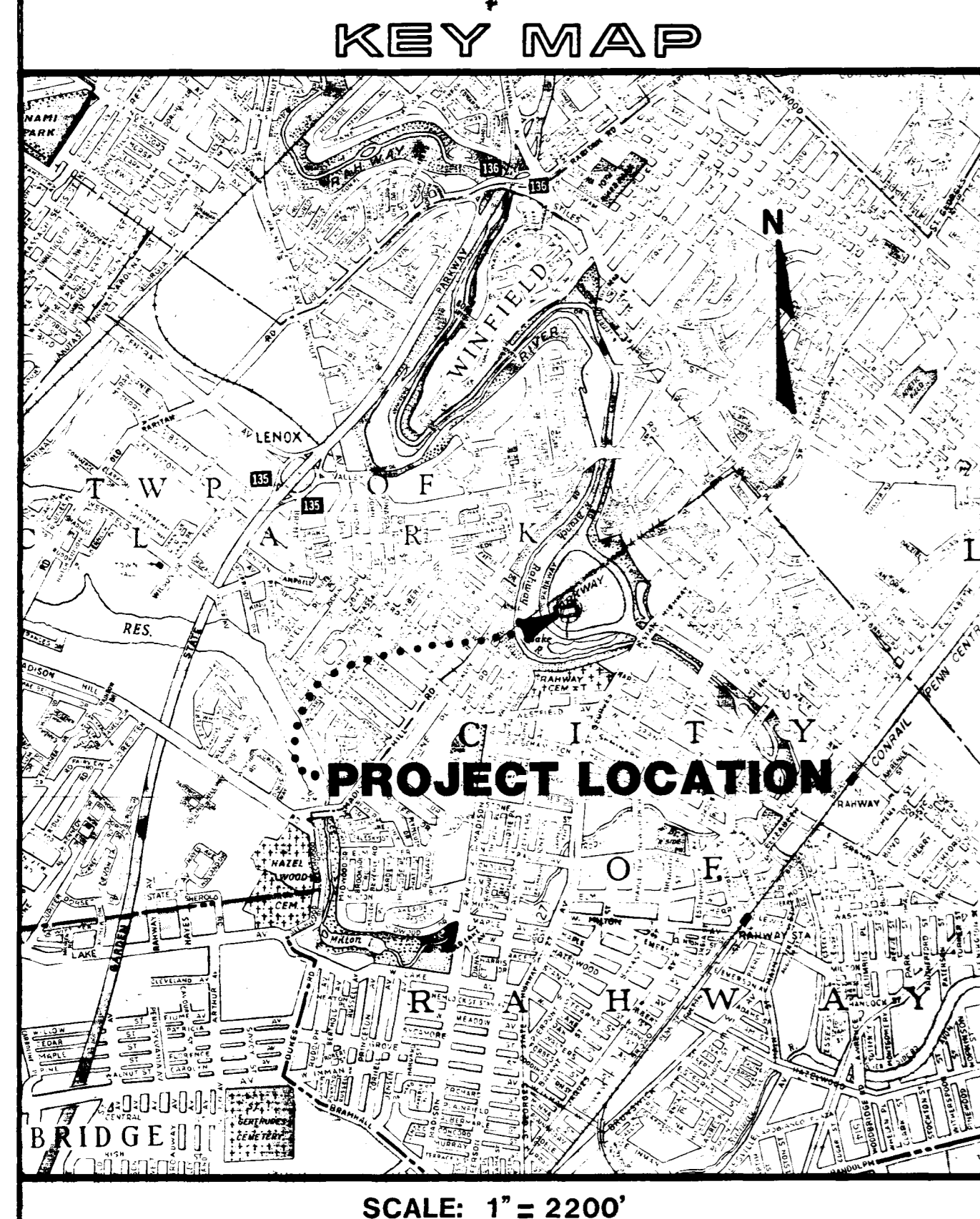
## **APPENDIX B -**

“REHABILITATION OF THE RAHWAY RIVER PARK SWIMMING POOL-DIVING POOL PAN” as prepared by Robert F. Grove and Schoor, Depalma & Gillen, Inc. dated September 24, 1981.





**CONTRACT NO. 2**  
**SWIMMING POOLS AND SITE WORK**  
**REHABILITATION OF THE**  
**RAHWAY RIVER PARK SWIMMING POOL**  
 FOR THE  
**COUNTY OF UNION**  
 RAHWAY, NEW JERSEY



ROSE MARIE SINNOTT  
CHAIR PERSON

BLANCHE BANASIAK

FRANK LEHR

VIRGINIA MCKENNEY

GEORGE J. ALBANESE  
COUNTY MANAGER

GEORGE CRON  
DIRECTOR, DEPT. OF PARKS & RECREATION

EDWARD J. SLOMKOWSKI  
VICE-CHAIR PERSON

EUGENE J. CARMODY

THOMAS W. LONG

JOHN K. MEEKER, JR.

ROBERT C. DOHERTY  
COUNTY COUNSEL

PETER F. OKRASINSKI

EARL C. HENWOOD  
CLERK FOR THE BOARD OF CHOSEN FREEHOLDERS

ARMAND FIORLETTI, P.E. & L.S.  
PROJECT COORDINATOR  
DIRECTOR, DEPT. OF ENGINEERING & PLANNING

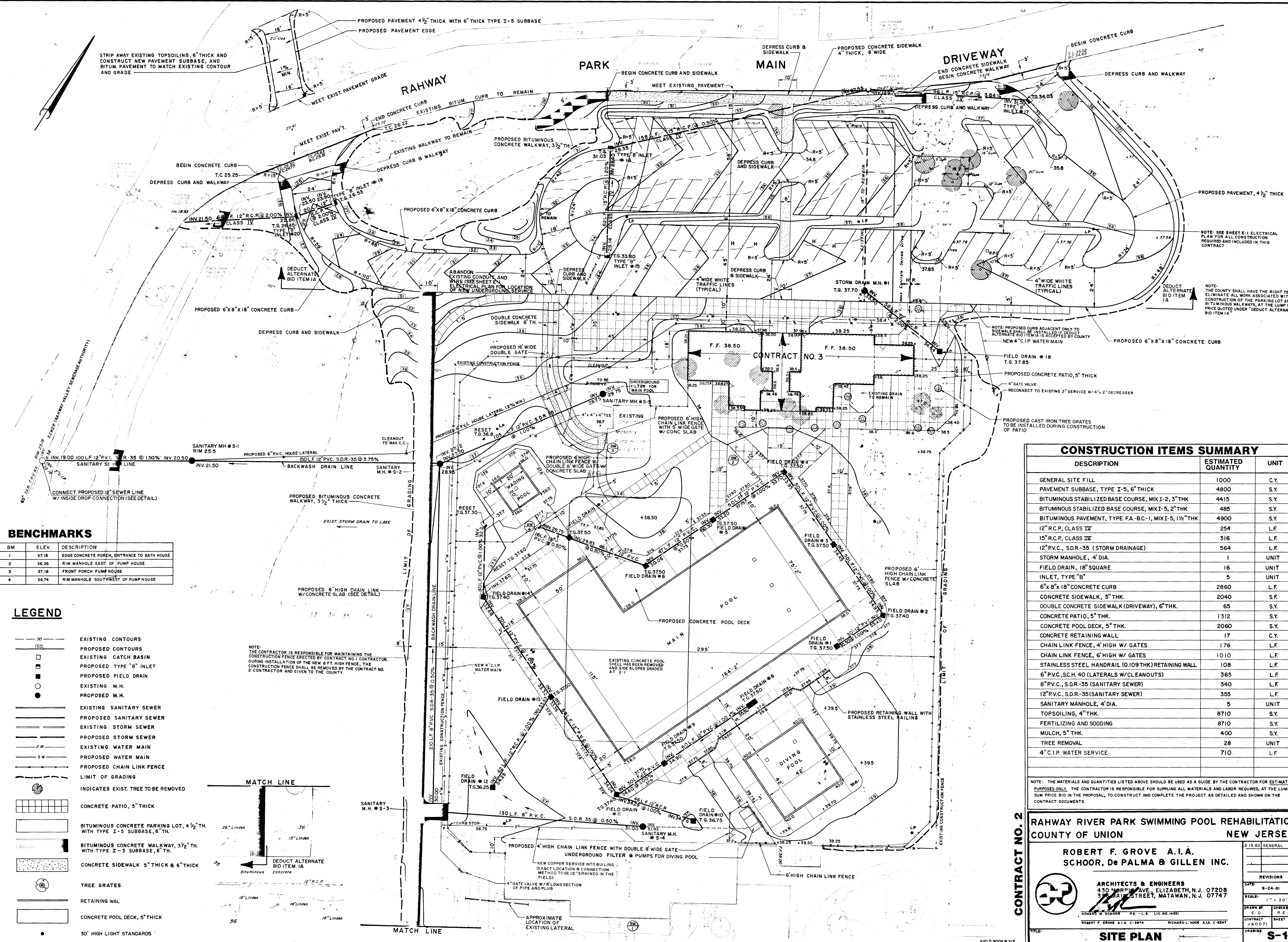
**INDEX OF SHEETS**

<b>SITE WORK</b>	
SHEET NO	DESCRIPTION
S-1	SITE PLAN
S-2	SOIL EROSION - SEDIMENT CONTROL
S-3	LANDSCAPING
S-4	SITE FURNISHING PLAN
S-5	SANITARY SEWER PROFILES
S-6	DRAINAGE PROFILES
S-7	CONSTRUCTION DETAILS
S-8	CONSTRUCTION DETAILS
E-1	ELECTRICAL PLAN
<b>SWIMMING POOLS</b>	
SHEET NO	DESCRIPTION
SP-1	POOL FURNISHING PLAN
SP-2	MAIN POOL PLAN
SP-3	DIVING POOL PLAN
SP-4	WADING POOL PLAN
SP-5	MAIN POOL DETAILS
SP-6	DIVING POOL DETAILS
SP-7	DIVING POOL UNDERDRAINAGE PLAN
SP-8	SITE PIPING LAYOUT
SP-9	MAIN POOL FILTER SYSTEM
SP-10	DIVING POOL FILTER SYSTEM
SP-11	WADING POOL FILTER SYSTEM
SP-12	PUMP HOUSE EQUIPMENT PLAN
SP-13	POOL EQUIPMENT
E-2	ELECTRICAL PLAN

A JOINT VENTURE BY : ROBERT F. GROVE AND SCHOOR, DEPALMA & GILLEN, INC.



STRIP AWAY EXISTING TOPSOILING, 6" THICK AND CONSTRUCT NEW PAVEMENT SUBBASE, AND BITUM. PAVEMENT TO MATCH EXISTING CONTOUR AND GRADE

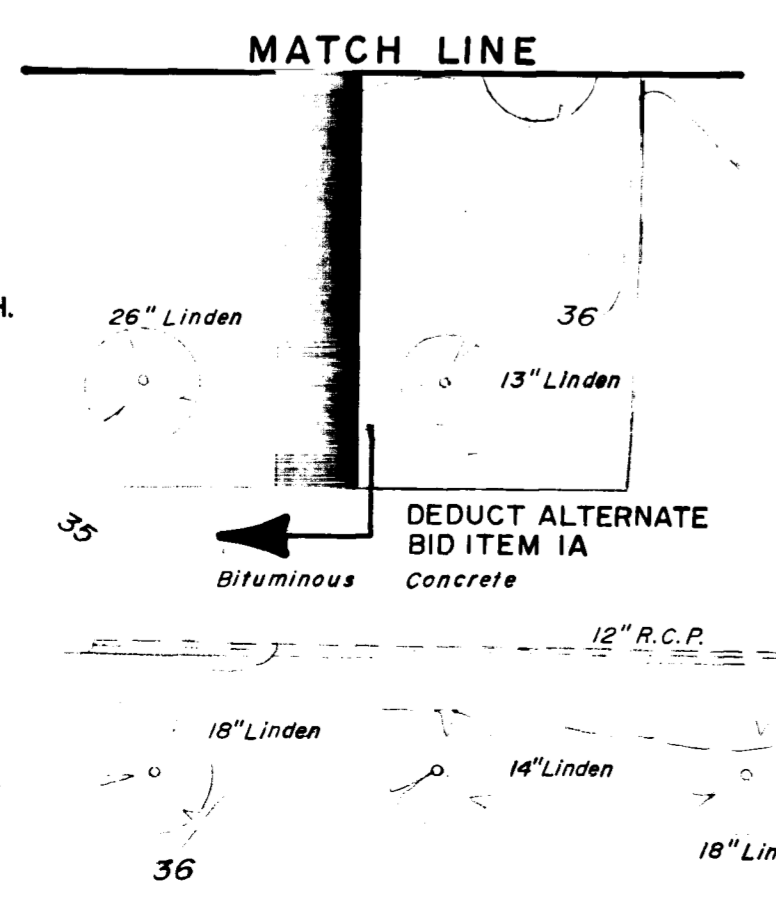


**BENCHMARKS**

BM	ELEV.	DESCRIPTION
1	37.18	EDGE CONCRETE PORCH, ENTRANCE TO BATH HOUSE
2	36.36	RIM MANHOLE EAST OF PUMP HOUSE
3	37.16	FRONT PORCH PUMP HOUSE
4	36.74	RIM MANHOLE SOUTHWEST OF PUMP HOUSE

**LEGEND**

- 30 --- EXISTING CONTOURS
- [ ] PROPOSED CONTOURS
- [ ] EXISTING CATCH BASIN
- [ ] PROPOSED TYPE "B" INLET
- [ ] PROPOSED FIELD DRAIN
- EXISTING M.H.
- PROPOSED M.H.
- EXISTING SANITARY SEWER
- PROPOSED SANITARY SEWER
- EXISTING STORM SEWER
- PROPOSED STORM SEWER
- EXISTING WATER MAIN
- PROPOSED WATER MAIN
- PROPOSED CHAIN LINK FENCE
- LIMIT OF GRADING
- INDICATES EXIST. TREE TO BE REMOVED
- [ ] CONCRETE PATIO, 5" THICK
- [ ] BITUMINOUS CONCRETE PARKING LOT, 4 1/2" TH. WITH TYPE I-5 SUBBASE, 6" TH.
- [ ] BITUMINOUS CONCRETE WALKWAY, 3 1/2" TH. WITH TYPE I-5 SUBBASE, 6" TH.
- [ ] CONCRETE SIDEWALK 5" THICK & 6" THICK
- TREE GRATES
- RETAINING WALL
- [ ] CONCRETE POOL DECK, 5" THICK
- 30" HIGH LIGHT STANDARDS



**CONSTRUCTION ITEMS SUMMARY**

DESCRIPTION	ESTIMATED QUANTITY	UNIT
GENERAL SITE FILL	1000	C.Y.
PAVEMENT SUBBASE, TYPE I-5, 6" THICK	4800	S.Y.
BITUMINOUS STABILIZED BASE COURSE, MIX I-2, 3" THK	4415	S.Y.
BITUMINOUS STABILIZED BASE COURSE, MIX I-5, 2" THK	485	S.Y.
BITUMINOUS PAVEMENT, TYPE FA-BC-1, MIX I-5, 1 1/2" THK	4900	S.Y.
12" R.C.P., CLASS IV	254	L.F.
15" R.C.P., CLASS III	316	L.F.
12" P.V.C., S.D.R.-35 (STORM DRAINAGE)	564	L.F.
STORM MANHOLE, 4' DIA.	1	UNIT
FIELD DRAIN, 18" SQUARE	16	UNIT
INLET, TYPE "B"	5	UNIT
6" x 8" x 18" CONCRETE CURB	2860	L.F.
CONCRETE SIDEWALK, 5" THK.	2040	S.F.
DOUBLE CONCRETE SIDEWALK (DRIVEWAY), 6" THK.	65	S.Y.
CONCRETE PATIO, 5" THK.	1312	S.Y.
CONCRETE POOL DECK, 5" THK.	2060	S.Y.
CONCRETE RETAINING WALL	17	C.Y.
CHAIN LINK FENCE, 4' HIGH W/ GATES	176	L.F.
CHAIN LINK FENCE, 6' HIGH W/ GATES	1010	L.F.
STAINLESS STEEL HANDRAIL (0.109 THK) RETAINING WALL	108	L.F.
6" P.V.C., S.C.H. 40 (LATERALS W/ CLEANOUTS)	365	L.F.
8" P.V.C., S.D.R.-35 (SANITARY SEWER)	340	L.F.
12" P.V.C., S.D.R.-35 (SANITARY SEWER)	355	L.F.
SANITARY MANHOLE, 4' DIA.	5	UNIT
TOPSOILING, 4" THK.	8710	S.Y.
FERTILIZING AND SODDING	8710	S.Y.
MULCH, 5" THK.	400	S.Y.
TREE REMOVAL	28	UNIT
4" C.I.P. WATER SERVICE	710	L.F.

NOTE: THE MATERIALS AND QUANTITIES LISTED ABOVE SHOULD BE USED AS A GUIDE BY THE CONTRACTOR FOR ESTIMATING PURPOSES ONLY. THE CONTRACTOR IS RESPONSIBLE FOR SUPPLYING ALL MATERIALS AND LABOR REQUIRED, AT THE LUMP SUM PRICE BID IN THE PROPOSAL, TO CONSTRUCT AND COMPLETE THE PROJECT AS DETAILED AND SHOWN ON THE CONTRACT DOCUMENTS

**CONTRACT NO. 2**

**RAHWAY RIVER PARK SWIMMING POOL REHABILITATION**  
**COUNTY OF UNION**  
**NEW JERSEY**

**ROBERT F. GROVE A.I.A.**  
**SCHOOR, De PALMA & GILLEN INC.**

**ARCHITECTS & ENGINEERS**  
 430 MORRIS AVE., ELIZABETH, N.J. 07208  
 385 MAIN STREET, MATAWAN, N.J. 07747

2-15-82 GENERAL

REVISIONS

DATE: 9-24-81

SCALE: 1" = 20'

DRAWN BY: E.D. CHECKER: R.E.D.

CONTRACT: JA0071 SHEET: S-1

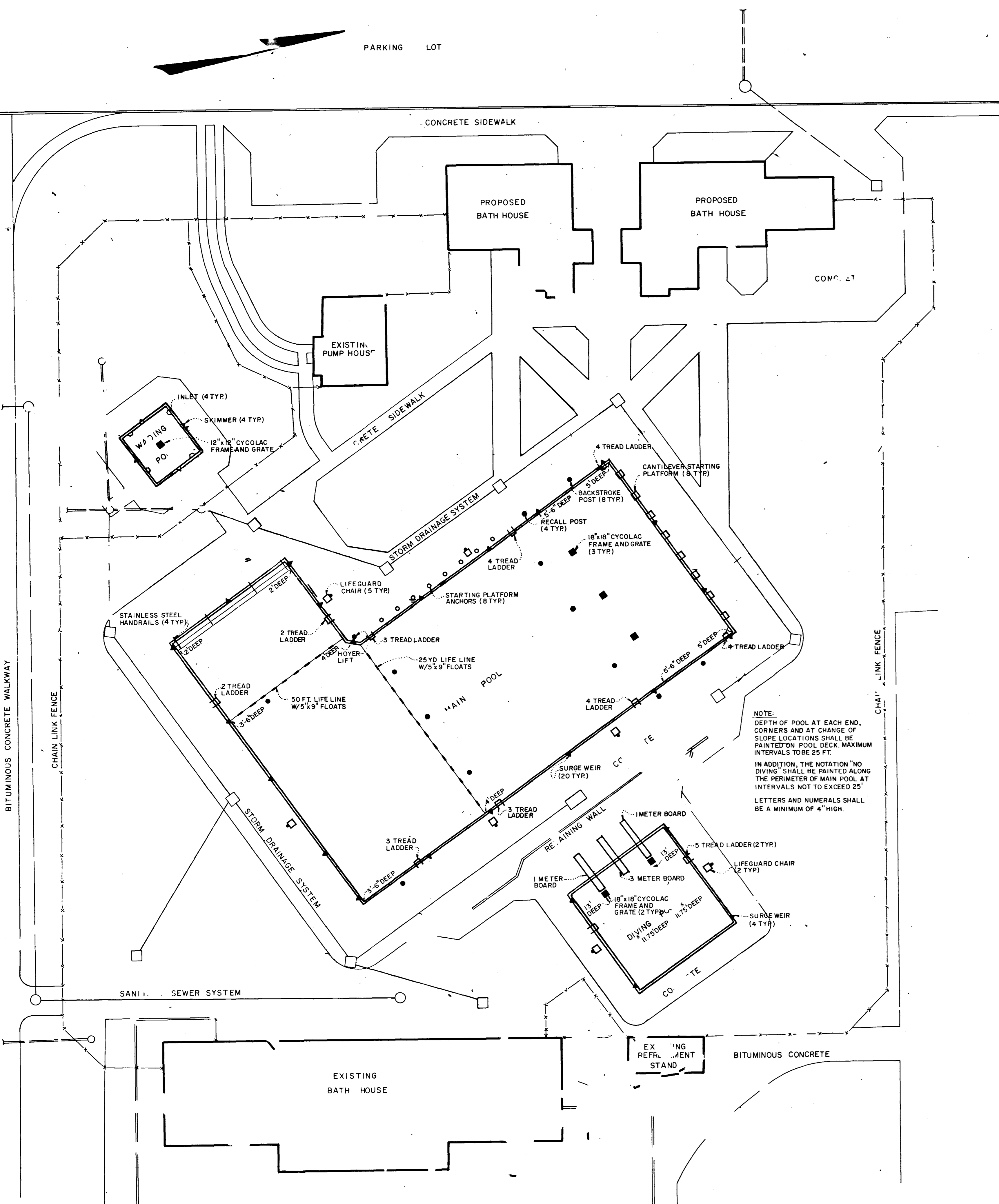
DRAWING: S-1

**SITE PLAN**

FILE BOOK # 215

LDS UC 19103





**PLAN**

- LEGEND**
- LIFEGUARD CHAIR
  - CANTILEVER STARTING PLATFORM
  - CYCOLAC FRAME AND GRATE
  - TREAD LADDER
  - STARTING PLATFORM ANCHOR
  - INLET FITTING
  - BACKSTROKE POST
  - RECALL POST
  - SKIMMER
  - SURGE WEIR

**DECK EQUIPMENT**

DIVING POOL			
QUANTITY	MANUFACTURER	CATALOG NO.	DESCRIPTION
2	PADDOCK POOL	2541	50 GALLON SOLUTION TANK W/AGITATOR
1	"	2404	GAS CHLORINATOR/100 PPM CYLINDER MOUNT
1	PRECISION	9711-21	PH CONTROL-FEEDER
1	"	2480	PLATFORM SCALE
1	MARLOW	MP150	BOOSTER PUMP/10 G.P.M. @ 100'
1	PADDOCK POOL	6610	AUTOMATIC WATER LEVEL CONTROLLER
1	MEYCO PRODUCTS	44' x 44'	POLYPROPYLENE MESH POOL COVER

MAIN POOL			
QUANTITY	MANUFACTURER	CATALOG NO.	DESCRIPTION
4	PADDOCK POOL	2541	50 GALLON SOLUTION TANK W/AGITATOR
1	"	2406	GAS CHLORINATOR/500 PPM WALL MOUNT EQUIPPED W/AUTOMATIC START STOP OPERATION
2	"	2520	PH CONTROL-CHEM.FEEDER
1	LAMOTTE	LP-36	TEST KIT FOR CHLORINE
1	PADDOCK POOL	2480	1000 POUND PLATFORM SCALE
1	"	3348	LEAF SKIMMER
1	"	3367	SIXTEEN (16) FT. TELESCOPIC HANDLE
1	"	3302	WALL BRUSH HOLDER
1	"	3332	WALL BRUSH
1	"	3180 G	PORTABLE PUMP AND MOTOR
1	"	3163	VACUUM CLEANER SET - 18" HEADS
1	MARLOW	1-1/4 XSC	BOOSTER PUMP/20 G.P.M. @ 150'
1	PRECISION	9711	PH CONTROL FEEDER
1	PADDOCK POOL	2466	GAS MASK
1	"	6610	AUTOMATIC WATER LEVEL CONTROLLER
1	CHEM-TRAK	CO-10	SWIMMING POOL CHEMICAL CONTROLLER

WADING POOL			
QUANTITY	MANUFACTURER	CATALOG NO.	DESCRIPTION
2	PADDOCK POOL	2035	55 GALLON SOLUTION TANK
1	PRECISION	9711-II	HYPOCHLORINATOR/CL <sub>2</sub> & PH CONTROL

**INITIAL START-UP CHEMICALS**

QUANTITY	UNIT	DESCRIPTION
5	GALLONS	MURIATIC ACID
500	POUNDS	BICARBONATE OF SODA
10	GALLONS	SODIUM HYPOCHLORITE
200	POUNDS	SODA ASH
6	EACH	CHLORINE CYLINDERS (100 POUND)

**DECK EQUIPMENT**

DIVING POOL			
QUANTITY	MANUFACTURER	CATALOG NO.	DESCRIPTION
2	KDI PARAGON INC.	A5109S	FIVE (5) TREAD LADDER
2	"	A1321A	LIFEGUARD CHAIR
2	ARCADIA AIR	70-231-400	ONE (1) METER DIVING STAND
1	"	70-231-300	THREE (3) METER DIVING STAND
3	"	66-231-326	DIVING BOARD
2	KDI PARAGON INC.	F2760	RING BOUY
2	"	C2810	SAFETY HOOK W/ POLE
8	"	C1200B	DECK ANCHORS
8	"	C1200SS	ESCUTCHEONS
2	"	F51310	UMBRELLAS
2	"	A11302	ANCHOR STUB-LIFEGUARD CHAIR
24	ARCADIA AIR	70-231-900	BRONZE DECK ANCHORS

MAIN POOL			
QUANTITY	MANUFACTURER	CATALOG NO.	DESCRIPTION
8	KDI PARAGON INC.	A1231S	STARTING PLATFORM ANCHOR
8	"	A9901-23.0	CANTILEVER STARTING PLATFORM
8	"	C1210SS	ESCUTCHEONS
2	"	A2109S	TWO (2) TREAD LADDER
3	"	A3109S	THREE (3) TREAD LADDER
4	"	A4109S	FOUR (4) TREAD LADDER
4	CUSTOM	FABRICATION	STAINLESS STEEL HANDRAIL (1.90" O.D. x 1.90" H. x 1.90" W. x 1.90" D.)
1	KDI PARAGON INC.	C2983	50 FT. LIFE LINE
9	"	J2862	50 MTR. ANTI TURBULENT LINE (W/ 25 YD. DISCONNECTS)
2	"	J2864	STORAGE REEL
40	PADDOCK POOL	9026	RECESSED RACING & LIFE LINE ANCHORS
8	KDI PARAGON INC.	A3362	BACKSTROKE MARKER POST (4' EXTENDED LENGTH)
4	"	A3361	RECALL POST (2 EXTENDED LENGTH)
12	"	A3370	STANCHION SOCKET W/ CAP
3	"	A3381	80' FLAGS AND ROPE
26	"	C1200B	DECK ANCHORS
26	"	C1210SS	ESCUTCHEONS
5	"	A1321A	LIFEGUARD CHAIR
5	"	F2760	RING BOUY
5	"	C2810	SAFETY HOOK W/ POLE
1	HOYER COMPANY	HBU-3-LS-C	HOYER HANDICAPPED PERSON LIFT
12	KDI PARAGON INC.	A3368	SLIDING COLLAR FOR POST
1	"	C2983	25 YD. LIFE LINE
22	"	C3030	5" x 9" FLOAT
5	"	A11302	ANCHOR STUB-LIFEGUARD CHAIR
50 L.F.			P.V.C. STEP COVER

**RECIRCULATION EQUIPMENT**

DIVING POOL			
QUANTITY	MANUFACTURER	CATALOG NO.	DESCRIPTION
168'	PADDOCK POOL	MODIFIED 9610	IFRS STAINLESS STEEL GUTTER
4	"	9015	SURGE WEIR
4	"	9018	JETWASH FITTING
2	"	8818	18" x 18" CYCOLAC FRAME AND GRATE
2	"	8702	2" HYDROSTATIC RELIEF VALVE
2	"	9023	WATER AGITATORS

MAIN POOL			
QUANTITY	MANUFACTURER	CATALOG NO.	DESCRIPTION
558'-1"	PADDOCK POOL	MODIFIED 9610	IFRS STAINLESS STEEL GUTTER
20	"	9015	SURGE WEIR
12	"	9018	JETWASH FITTING
3	"	8818	18" x 18" CYCOLAC FRAME AND GRATE
3	"	8702	2" HYDROSTATIC RELIEF VALVE

WADING POOL			
QUANTITY	MANUFACTURER	CATALOG NO.	DESCRIPTION
4	PADDOCK POOL	8806	GUTTER DRAIN
4	"	8802	INLET FITTING-ADJUSTABLE EYEBALL TYPE
1	"	8812	12" x 12" CYCOLAC FRAME AND GRATE
1	"	8702	2" HYDROSTATIC RELIEF VALVE
2	"	"	WINTERIZING PLUG

**CONTRACT NO. 2**

**RANNEY RIVER PARK SWIMMING POOL REHABILITATION**  
**COUNTY OF UNION**  
**NEW JERSEY**

**ROBERT F. GROVE A.I.A.**  
**HOYER, DE PALMA & GILLEN INC.**

**ARCHITECTS & ENGINEERS**  
 430 MORRIS AVE., ELIZABETH, N.J. 07208  
 390 MAIN STREET, MATINEAN, N.J. 07747

**2-15-62 GENERAL**

**REVISONS**

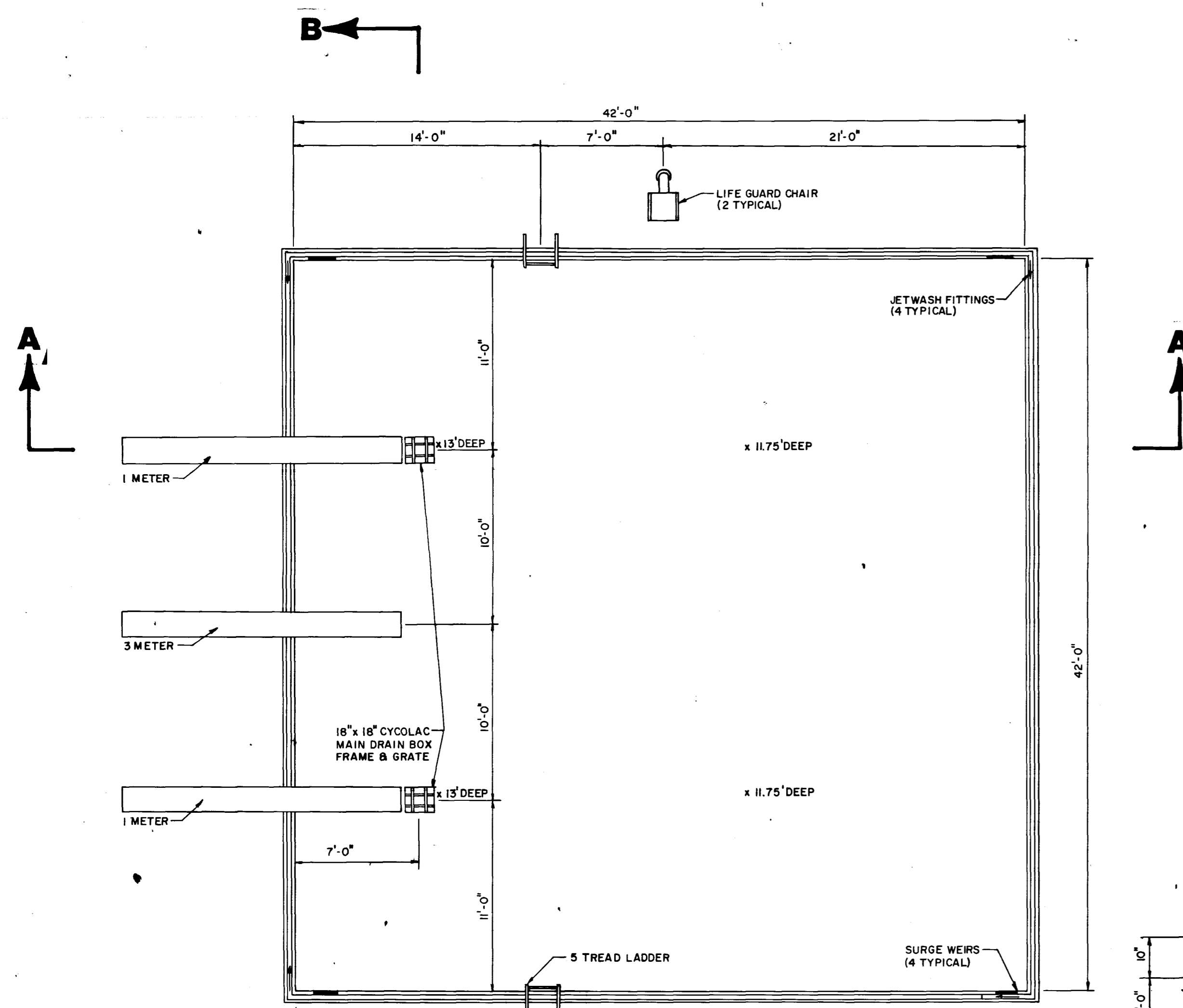
**DATE: 9-24-61**  
**SCALE: 1" = 20'**

**DRAWN BY: C.V.B. CHECKER: R.E.D.**  
**CONTRACT: SHEET: SP-1**

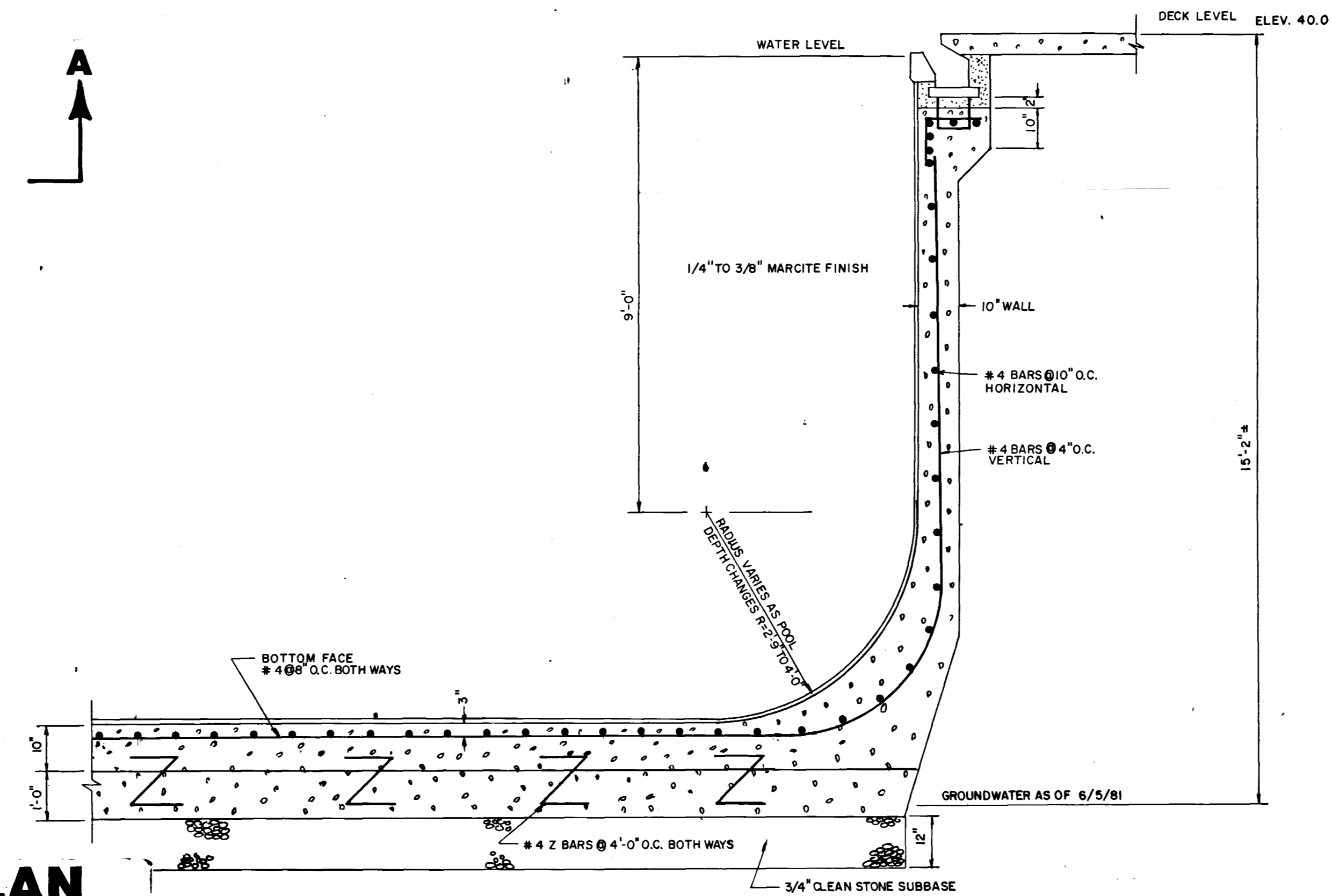
**POOL FURNISHING PLAN**

NOTE: THE MATERIALS AND QUANTITIES LISTED ABOVE SHOULD BE USED AS A GUIDE BY THE CONTRACTOR FOR ESTIMATING PURPOSES ONLY. THE CONTRACTOR IS RESPONSIBLE FOR SUPPLYING ALL MATERIALS AND LABOR REQUIRED, AT THE LUMP SUM PRICE BID IN THE PROPOSAL, TO CONSTRUCT AND COMPLETE THE PROJECT AS DETAILED AND SHOWN ON THE CONTRACT DOCUMENTS

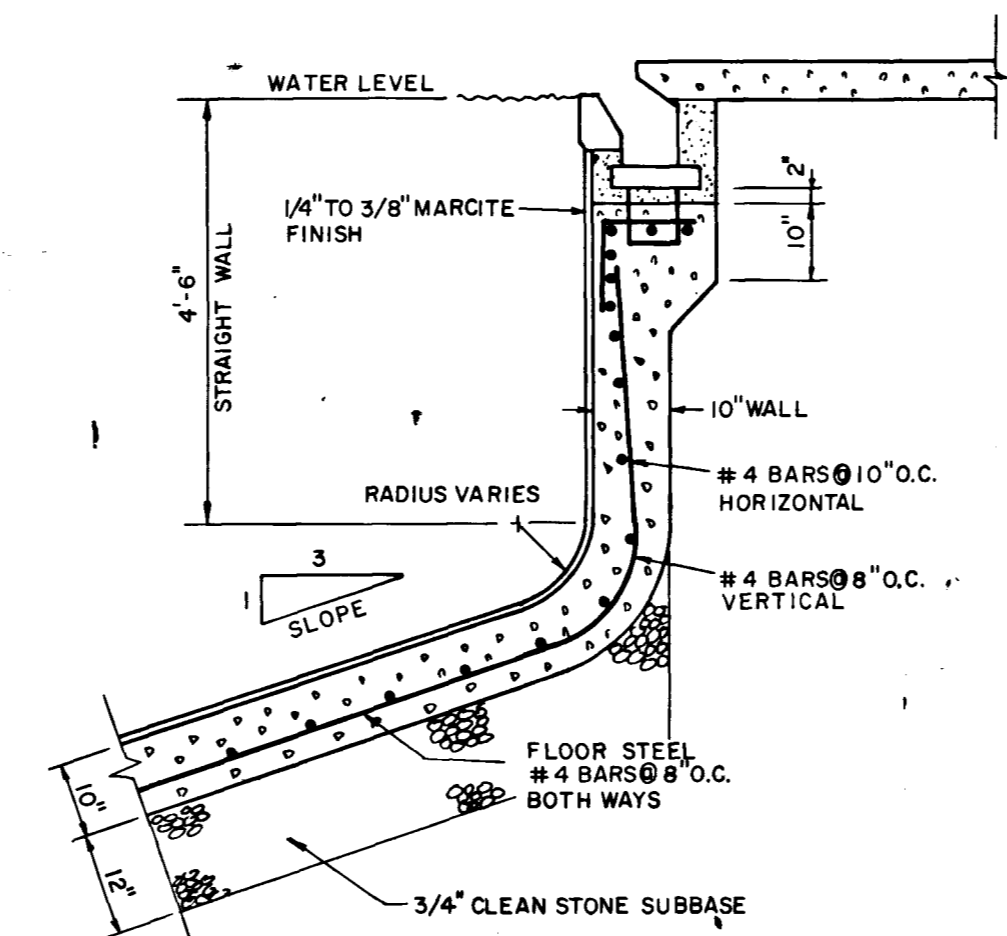




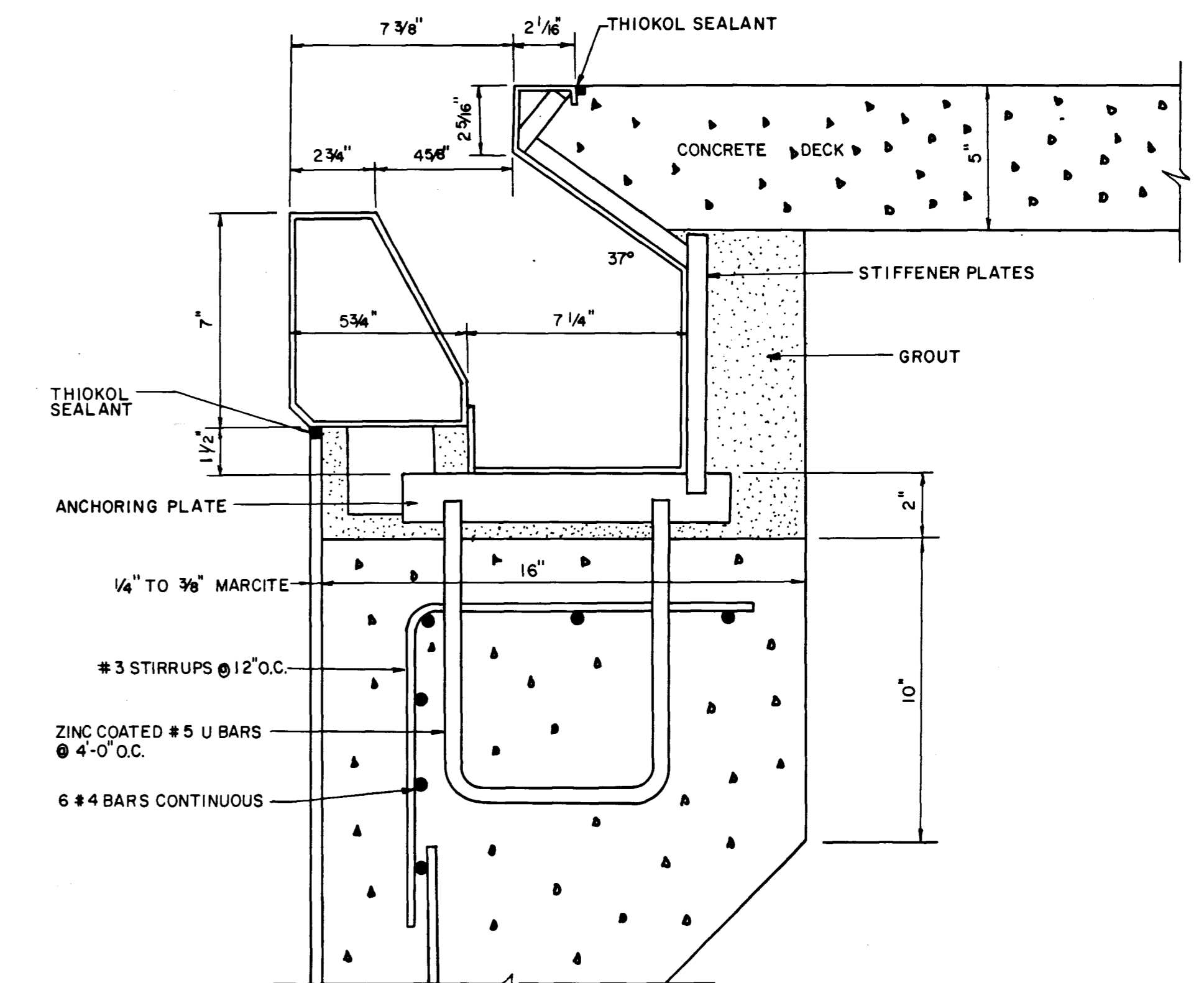
**DIVING POOL PLAN**  
SCALE: 3/16" 1'-0"



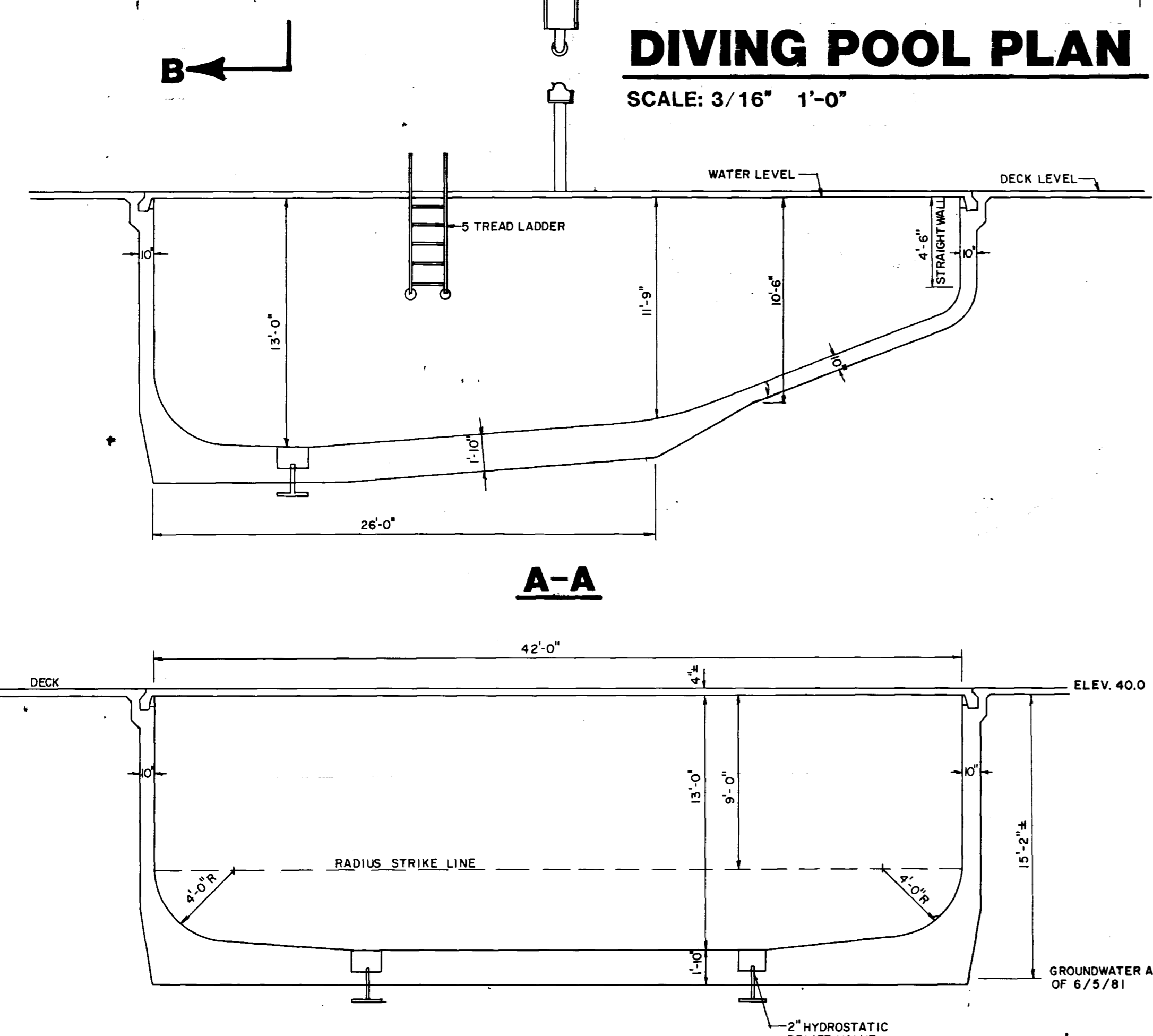
**DEEP WALL SECTION**  
SCALE: 1/2" 1'-0"



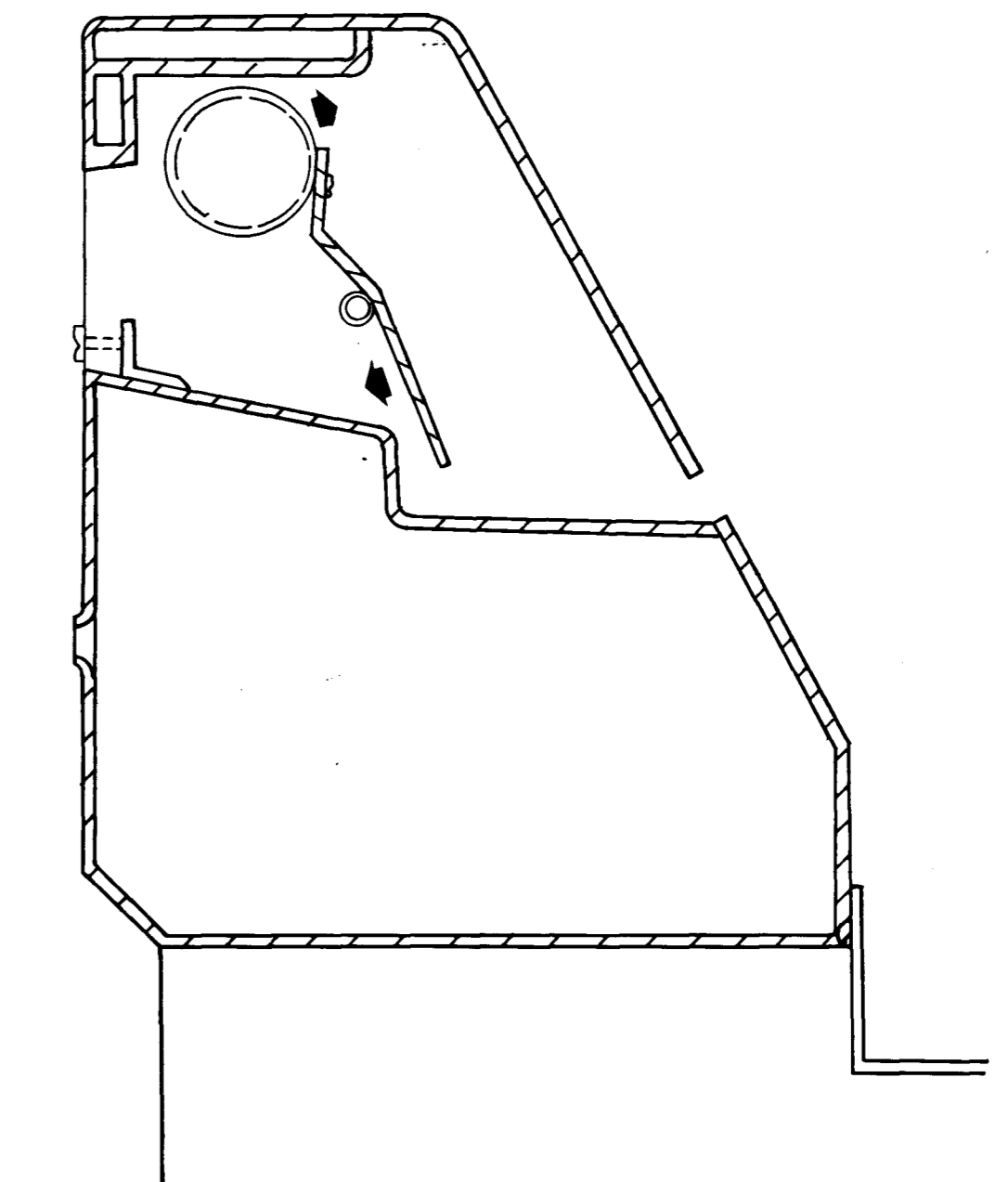
**SHALLOW WALL SECTION**  
SCALE: 1/2" 1'-0"



**GUTTER DETAIL**  
SCALE: 3" 1'-0"



**SECTIONS**  
SCALE: 3/16" 1'-0"



**SCRS WEIR IN AN IFRS GUTTER**  
N.T.S.

**Design Data**

Surface Area:	1764 S.F.	Removal Of Surface Water At Quiescent Periods
Perimeter:	168 L.F.	54 GPM/Weir x 4 Weirs = 216 G.P.M. = 59% Of Total Flow.
Capacity:	132,300 Gals.	In Pool Surge: 125 Ft. x 1764 S.F. x 7.5 Gal/C.F. = 1654 Gals.
Turnover:	6 Hrs.	In Gutter Surge: 168 Ft x 0.156 S.F. x 7.5 Gal/C.F. = 197 Gals.
Turnover Flow Rate:	367 G.P.M. @ 6 Hrs.	Total Surge: 1851 Gals
Jet Wash Flow:	12.5	
Recirculation Rate:	380 G.P.M. @ 50'	
Filter Area:	30 S.F.	
Application Rate:	12.66 G.P.M./S.F. of Filter Area	

**CONTRACT NO. 2**

**RAHWAY RIVER PARK SWIMMING POOL REHABILITATION**  
COUNTY OF UNION NEW JERSEY

**ROBERT F. GROVE A.I.A.**  
**SCHOOR, De PALMA & GILLEN INC.**

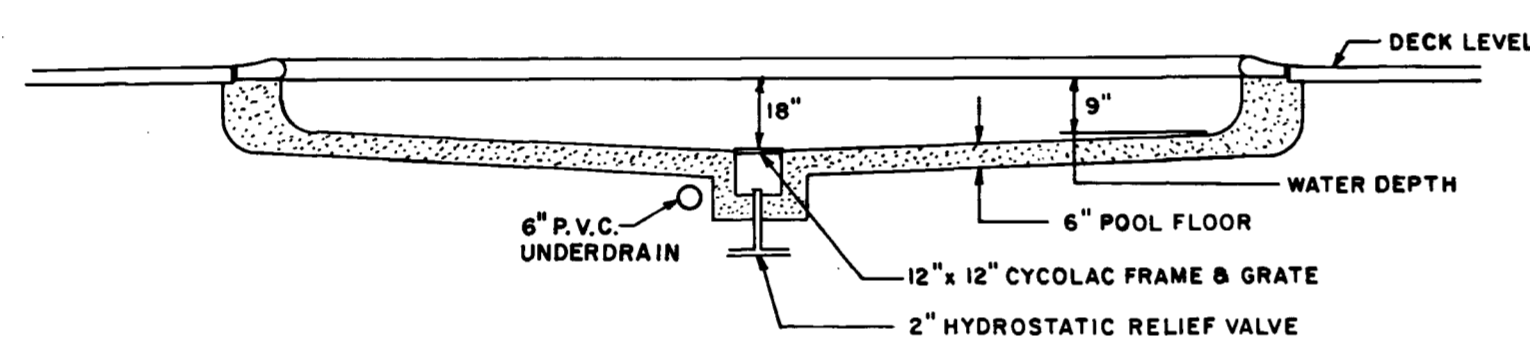
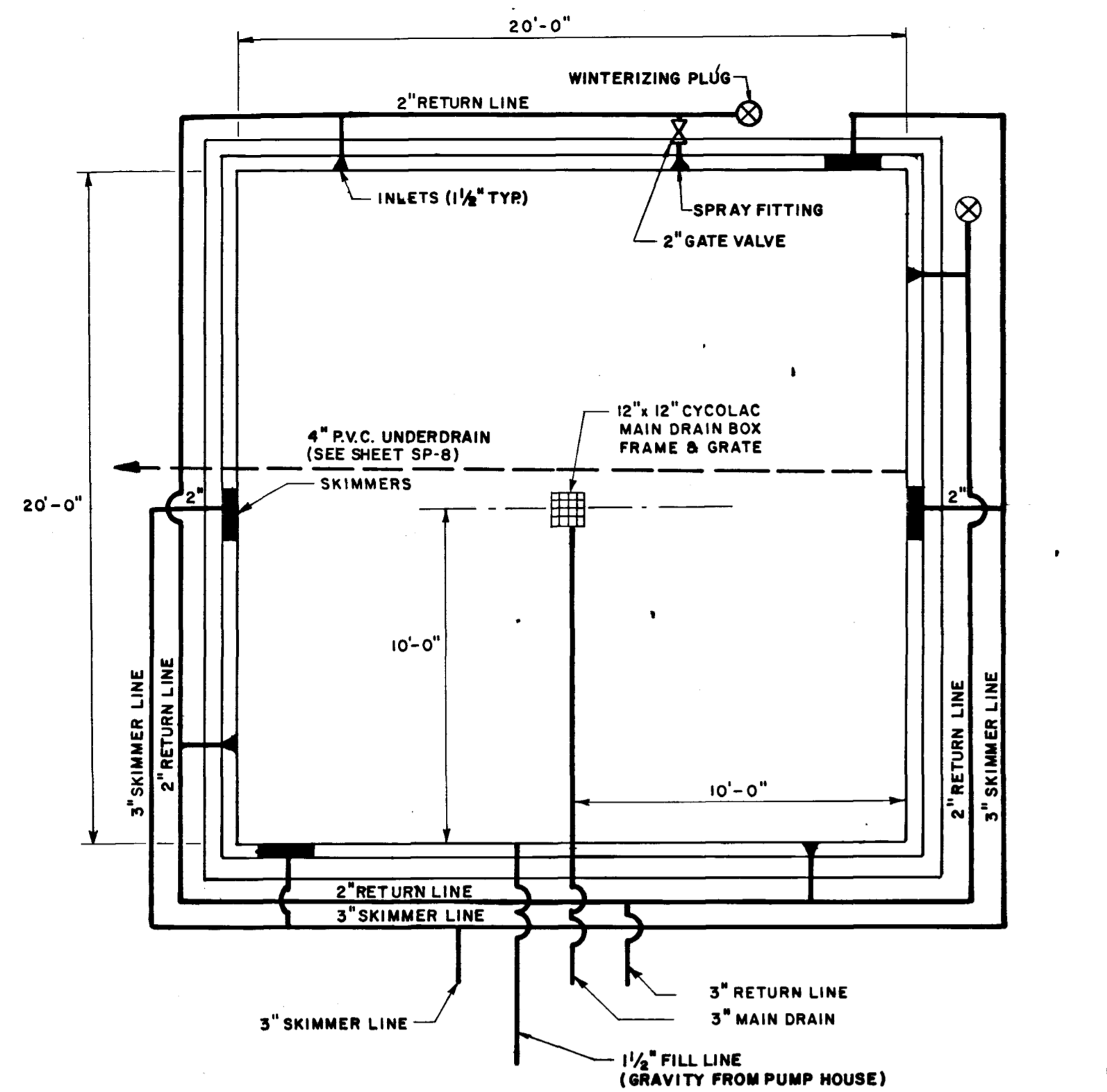
**ARCHITECTS & ENGINEERS**  
430 MORRIS AVE., ELIZABETH, N.J. 07208  
357 MAIN STREET, MATAWAN, N.J. 07747

HOWARD J. SCHROEDER, P.E., L.S., L.C. NO. 14551  
ROBERT F. GROVE A.I.A. C-3874 RICHARD L. HOOD A.I.A. C-6347

DATE:	9-24-81
SCALE:	AS SHOWN
DRAWN BY:	C.V.B.
CHECKER:	R.E.D.
CONTRACT:	SHEET
DRAWING:	SP-3

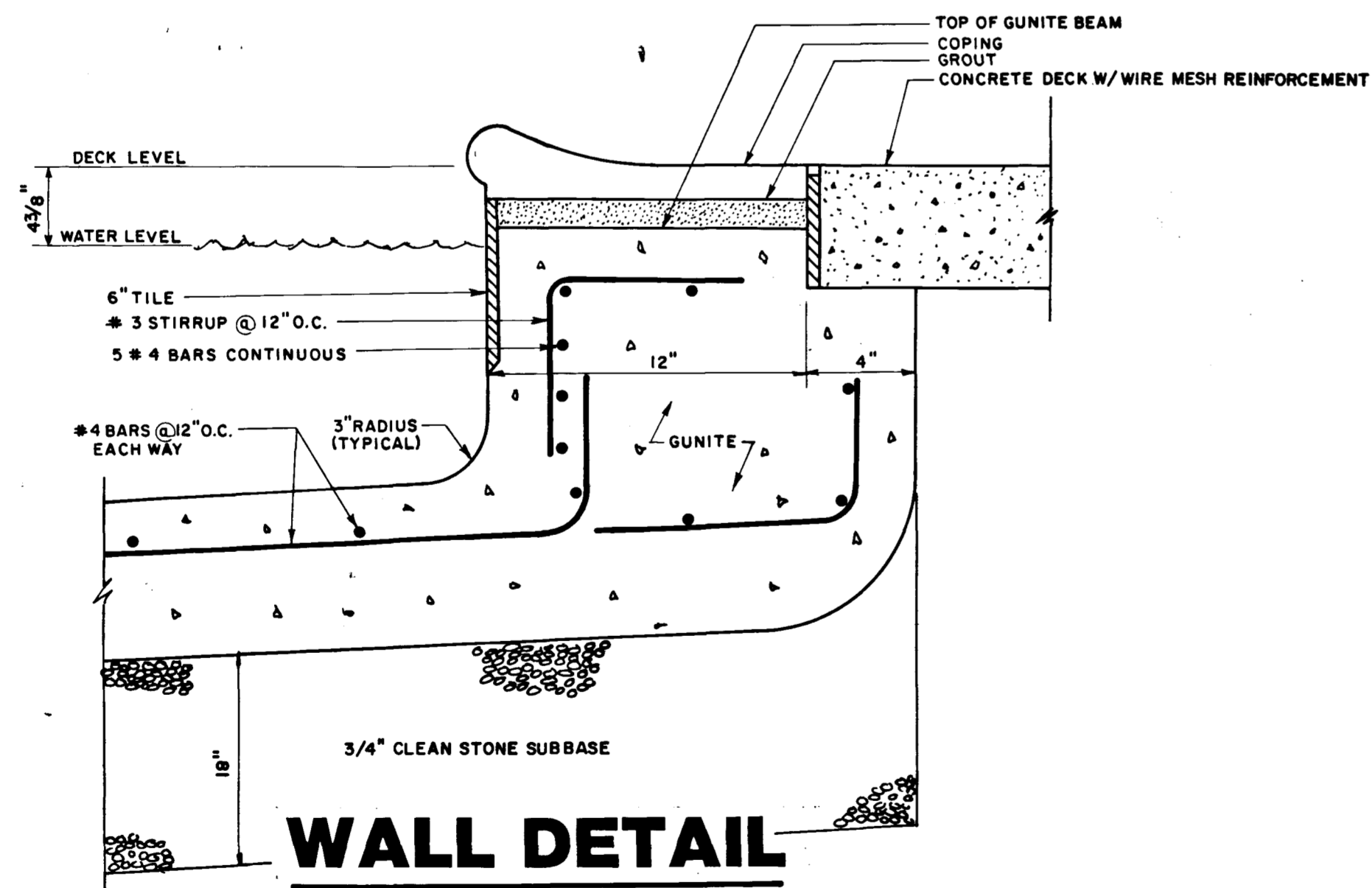
**DIVING POOL PLAN**

LDS UC 19114



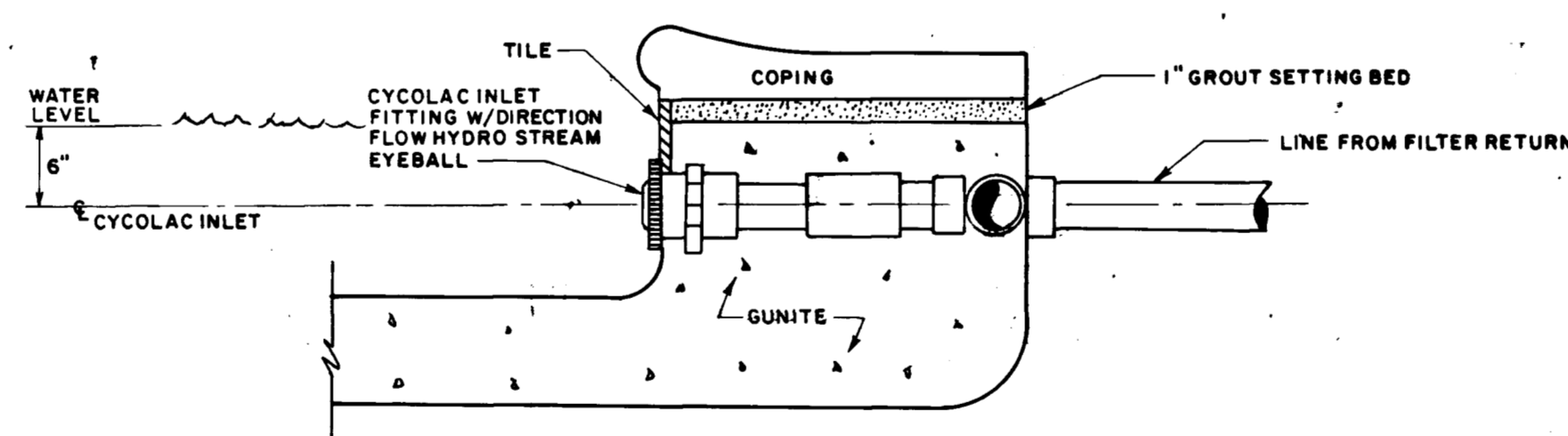
**PLAN & SECTION**

NO SCALE



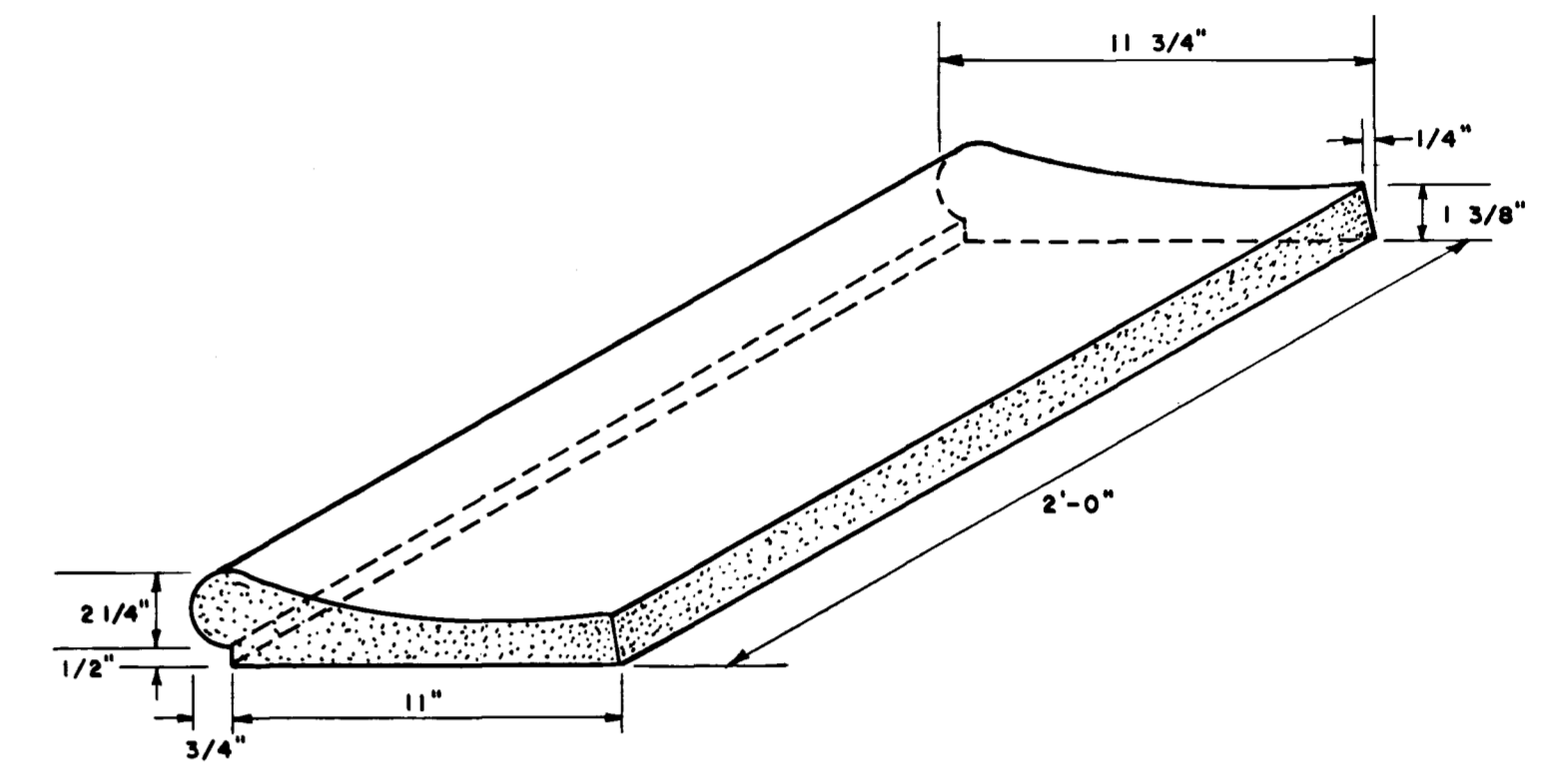
**WALL DETAIL**

NO SCALE



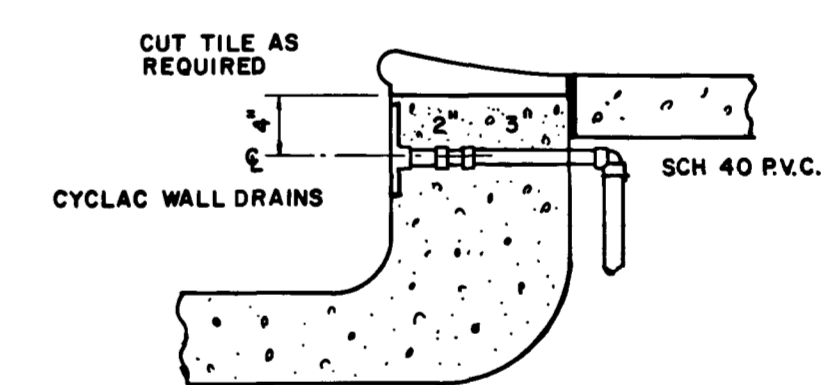
**INLET DETAIL**

NO SCALE



**COPING DETAIL**

NO SCALE



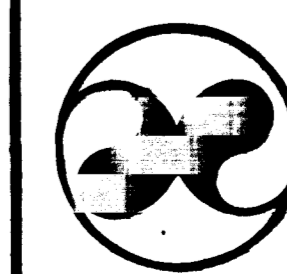
**WALL DRAIN (SKIMMER)**

NO SCALE

CONTRACT NO. 2

RAHWAY RIVER PARK SWIMMING POOL REHABILITATION  
COUNTY OF UNION NEW JERSEY

ROBERT F. GROVE A.I.A.  
SCHOOR, De PALMA & GILLEN INC.

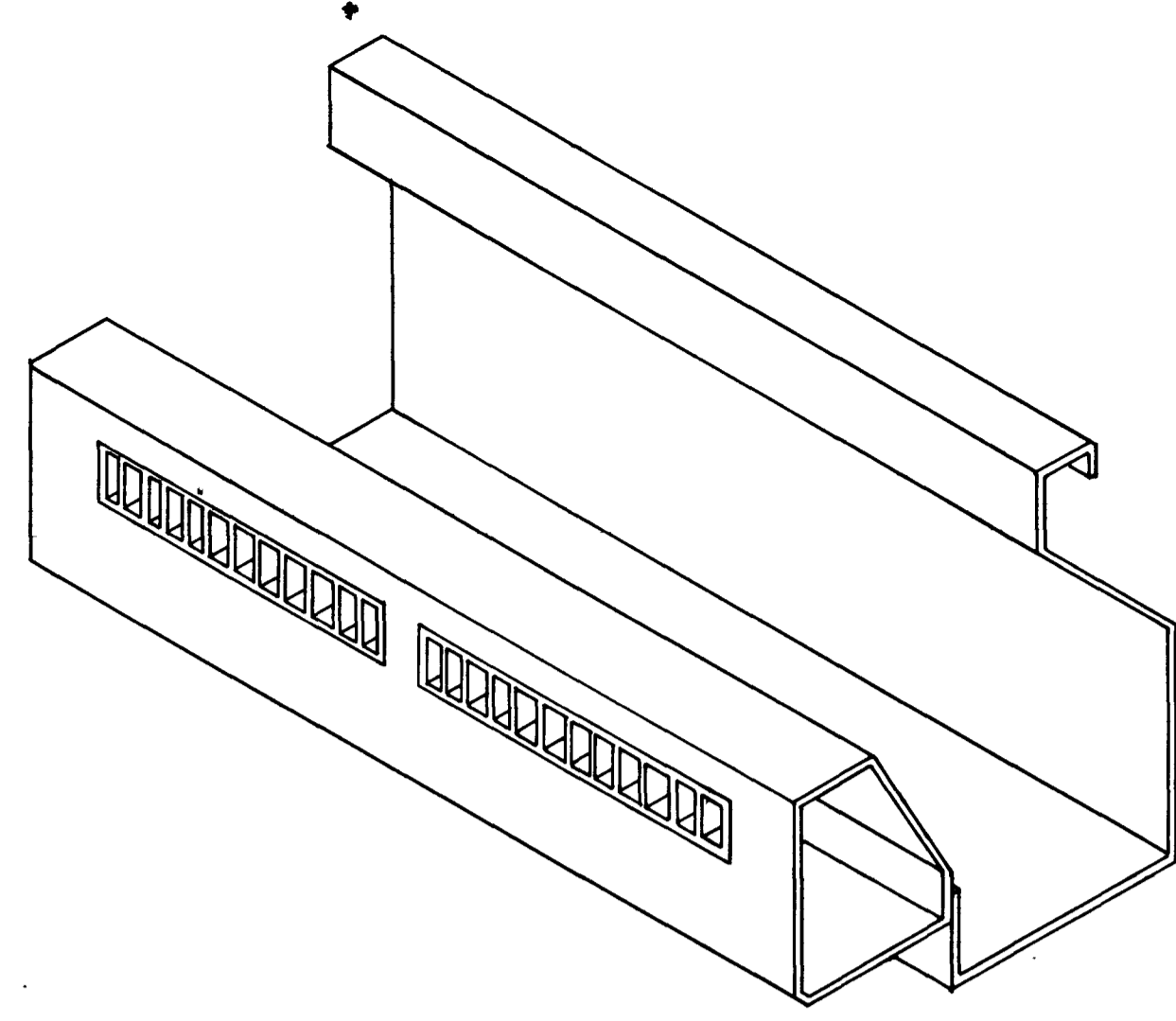


ARCHITECTS & ENGINEERS  
430 MORRIS AVE., ELIZABETH, N.J. 07208  
396 MAIN STREET, MATAWAN, N.J. 07747

HOWARD W. SCHOOR PE - L.E. LIC. NO. 14891  
ROBERT F. GROVE A.I.A. C-3874 RICHARD L. HOOD A.I.A. C-6947

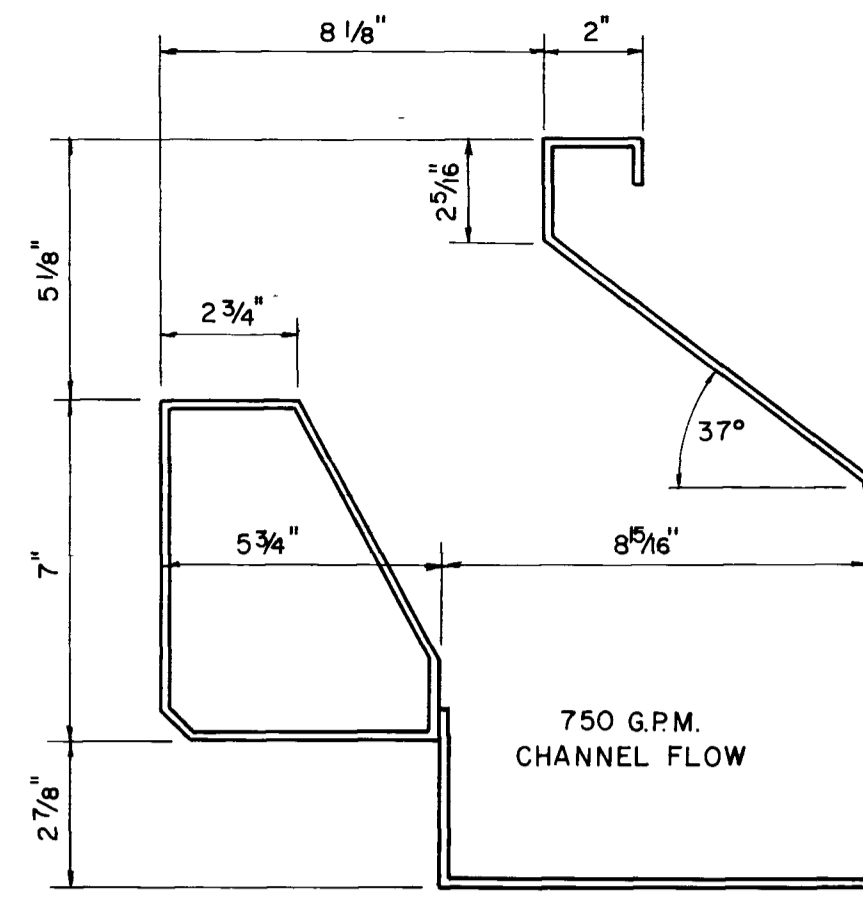
REVISIONS	
DATE:	9-24-81
SCALE:	AS SHOWN
DRAWN BY:	CHECKER
D.A.G.	R.E.D.
CONTRACT	SHEET

TITLE: **WADING POOL PLAN** DRAWING: **SP-4**



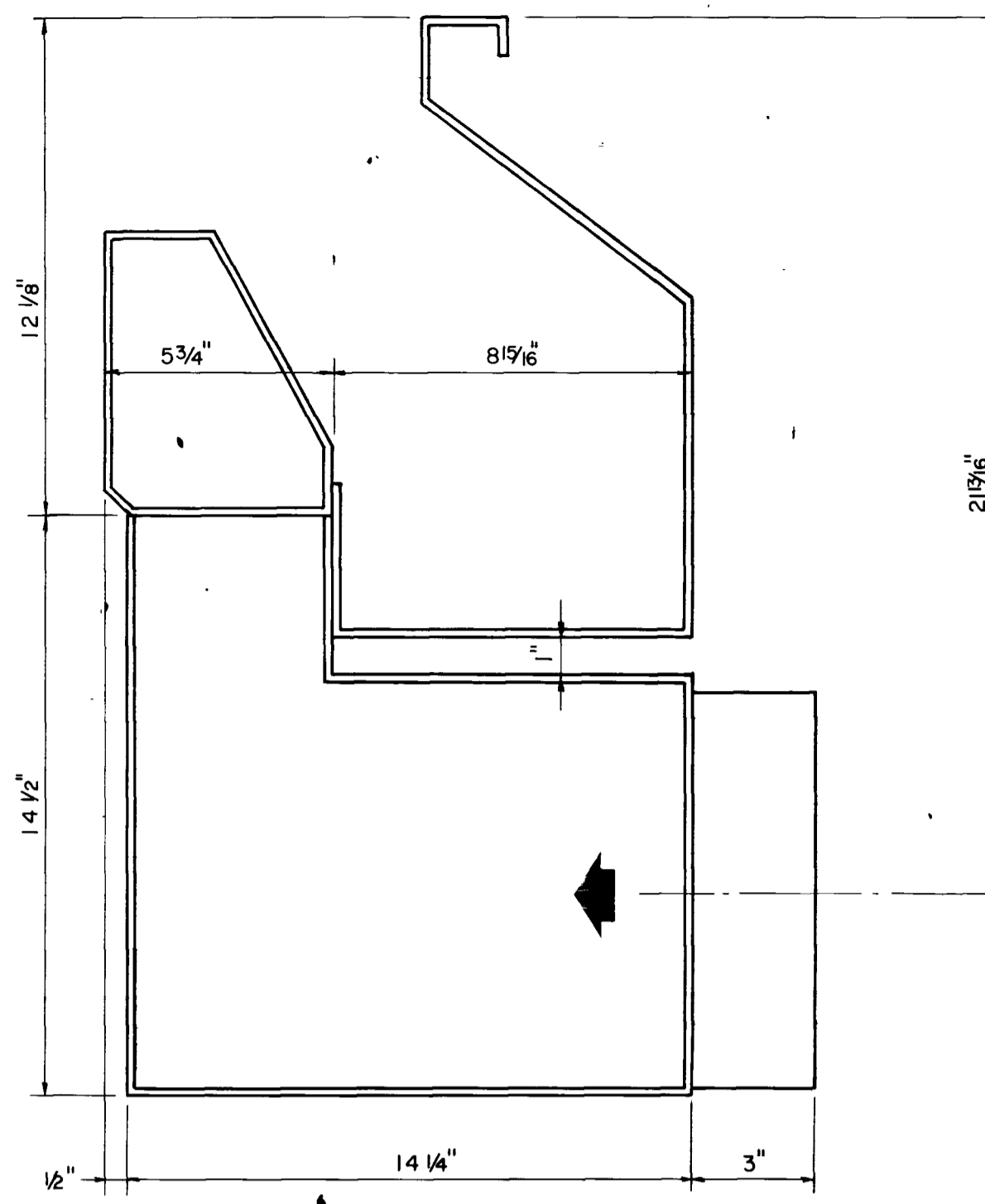
**ISOMETRIC**

N.T.S.



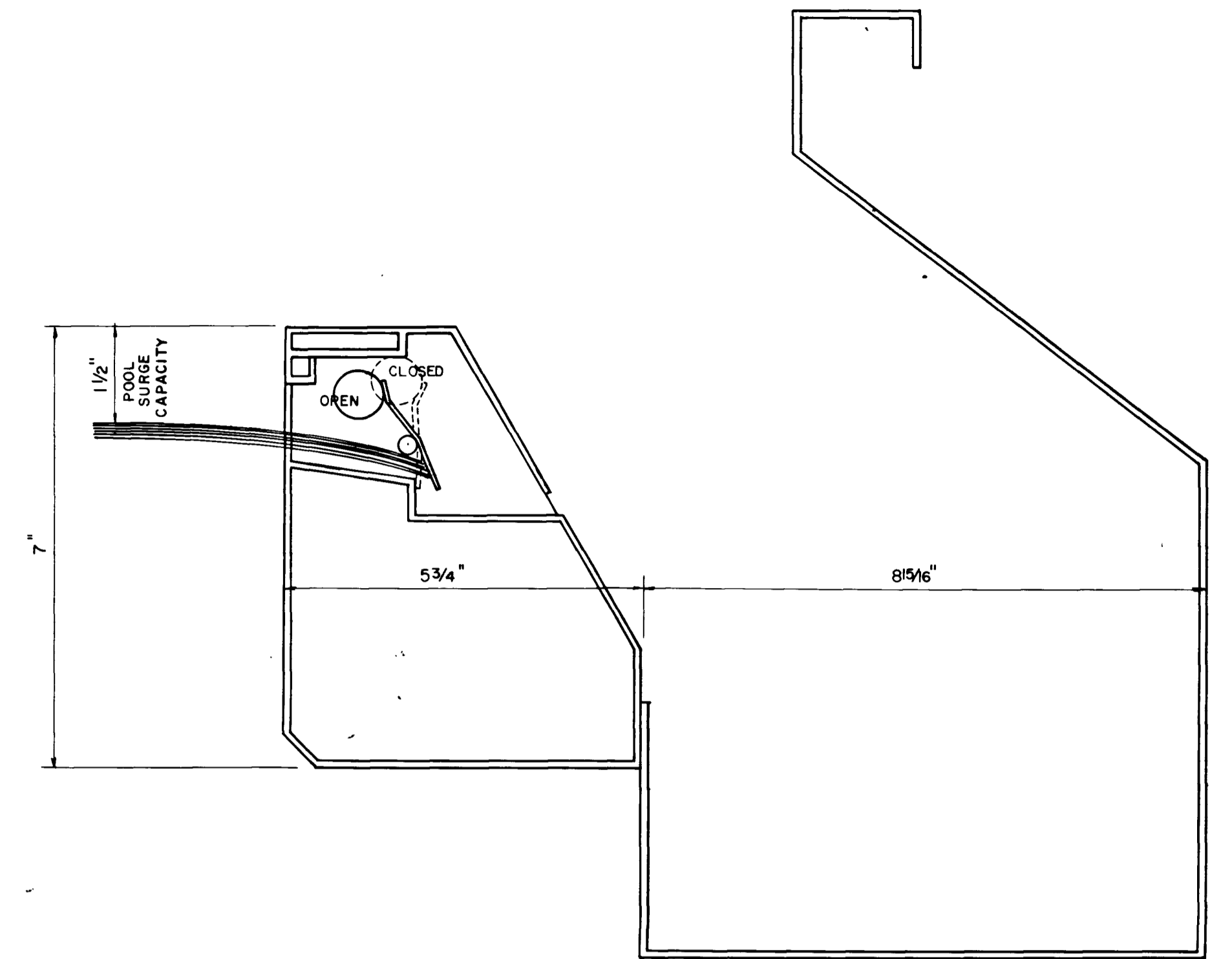
**IFRS GUTTER**

SCALE: 3" 1'-0"



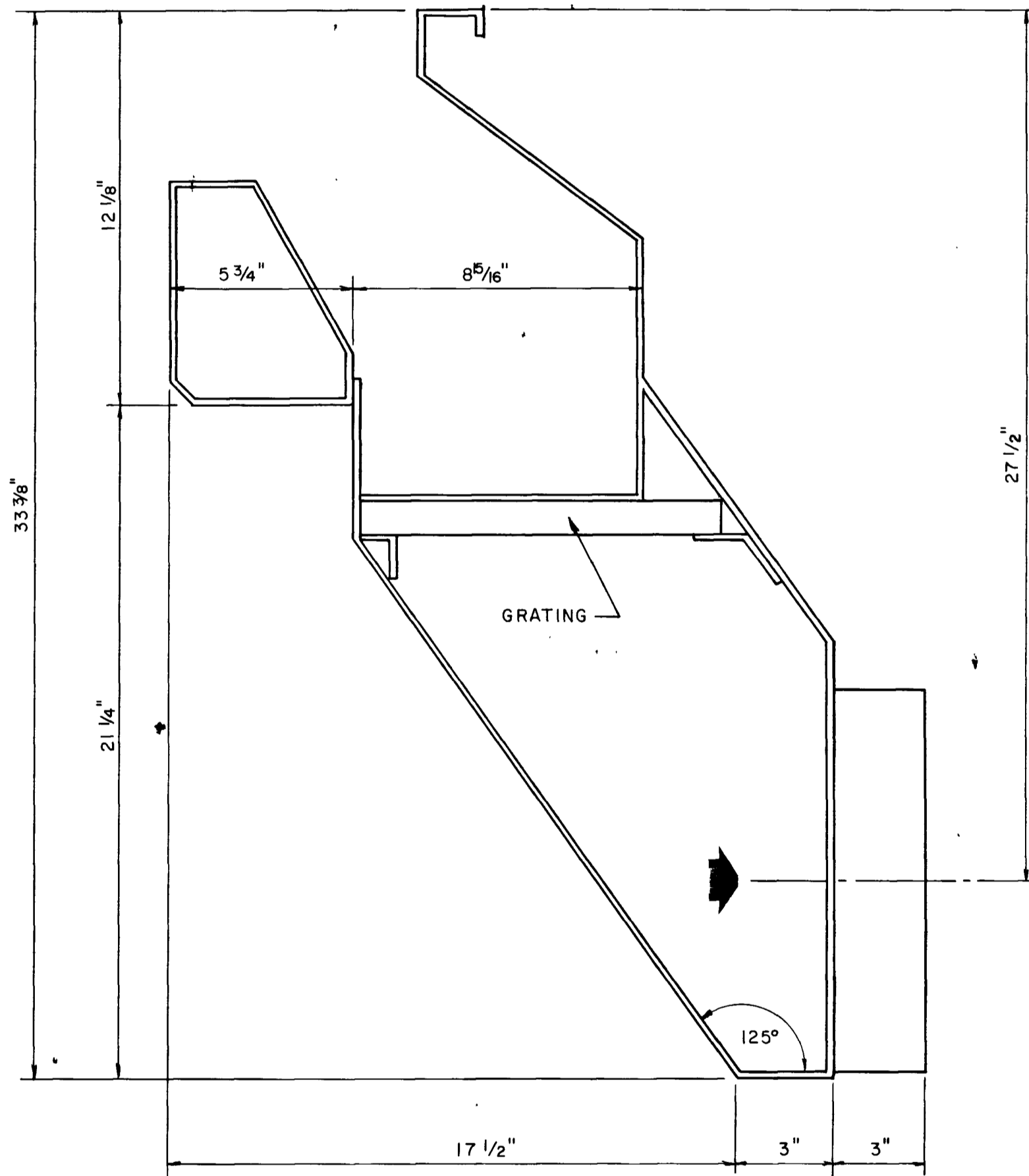
**RETURN CONVERTOR**

SCALE: 3" 1'-0"



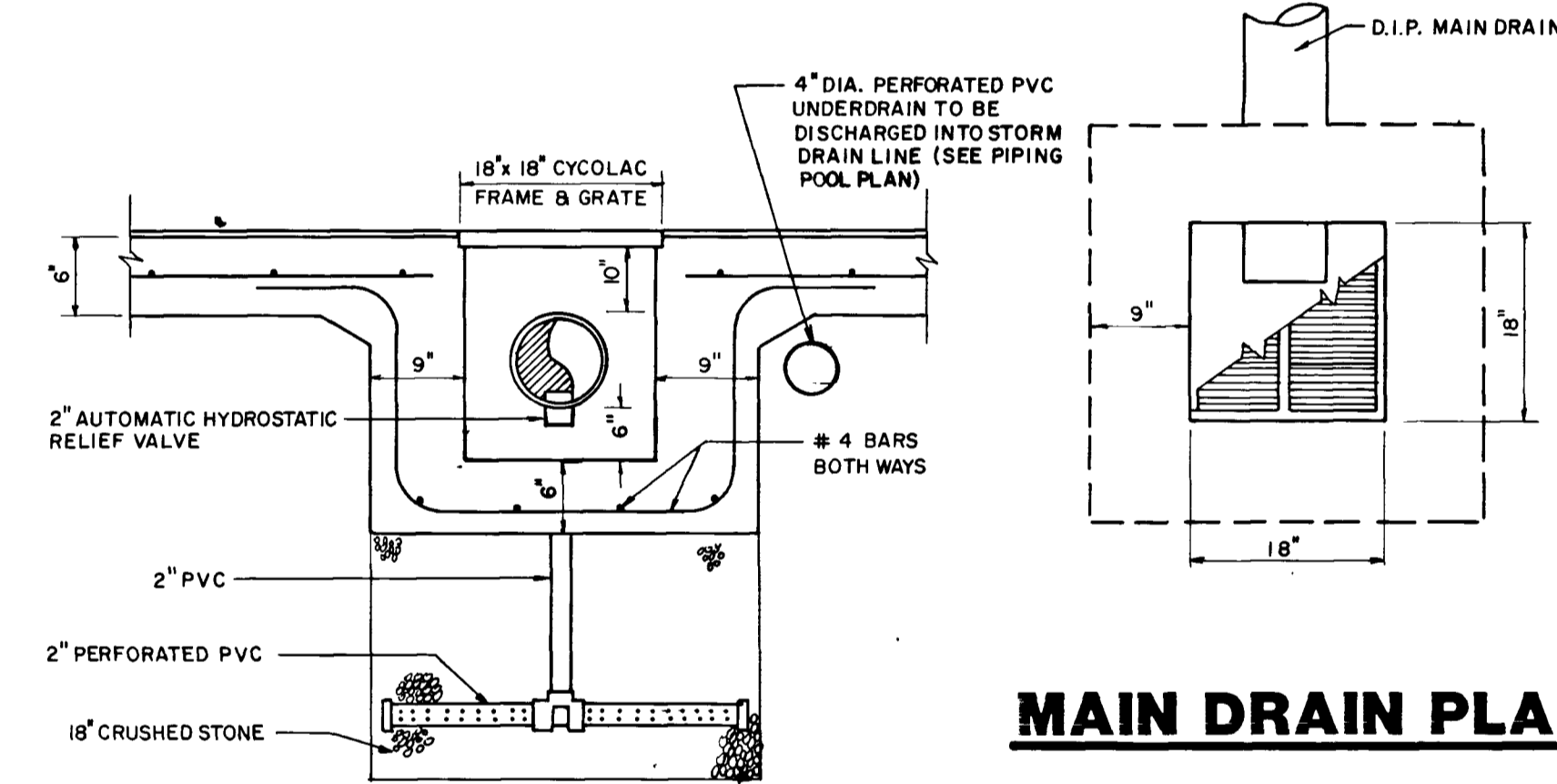
**AUTOMATIC SURGE WEIR**

N.T.S.



**OVERFLOW CONVERTOR**

SCALE: 3" 1'-0"

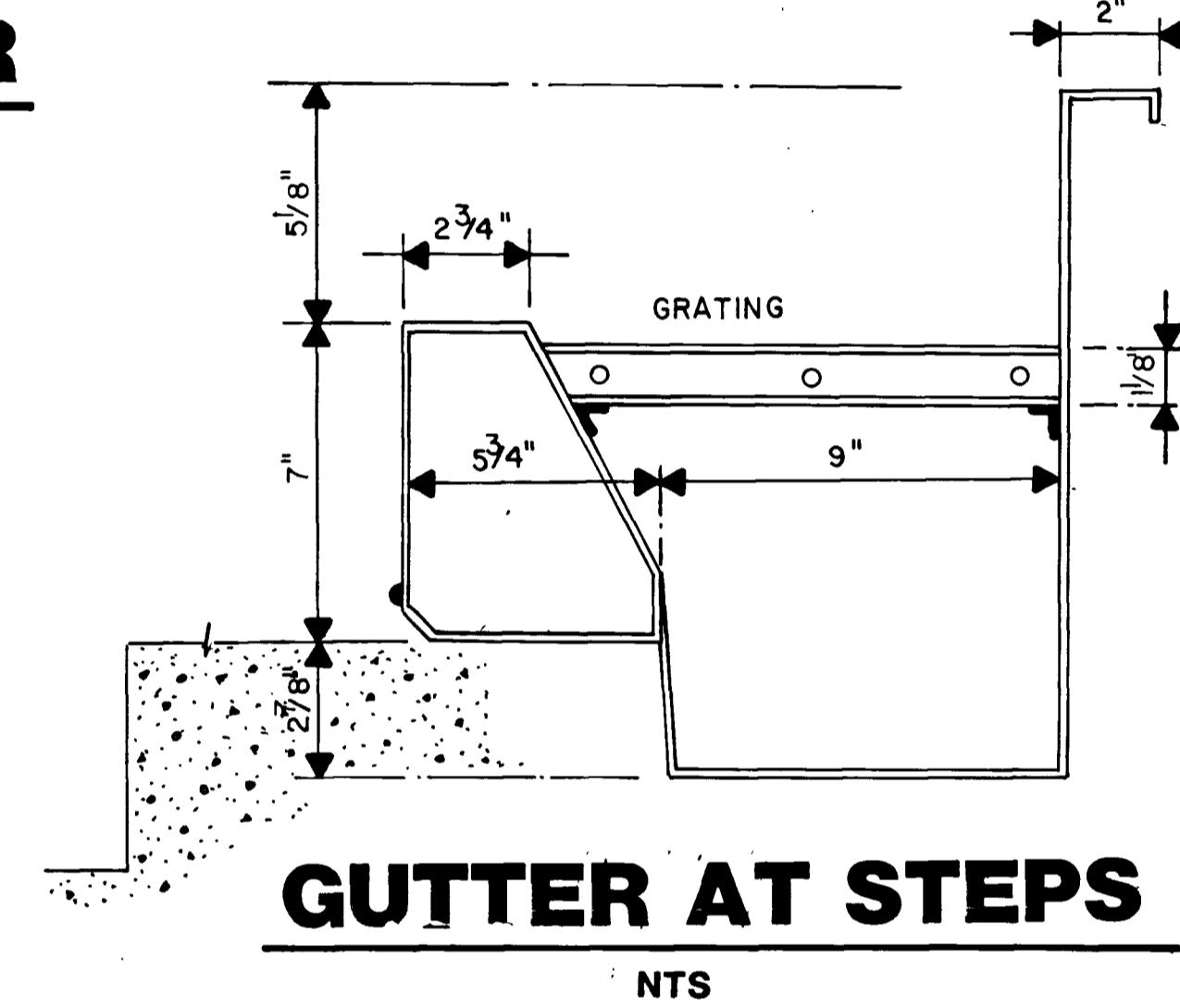


**MAIN DRAIN PLAN**

**SECTION**

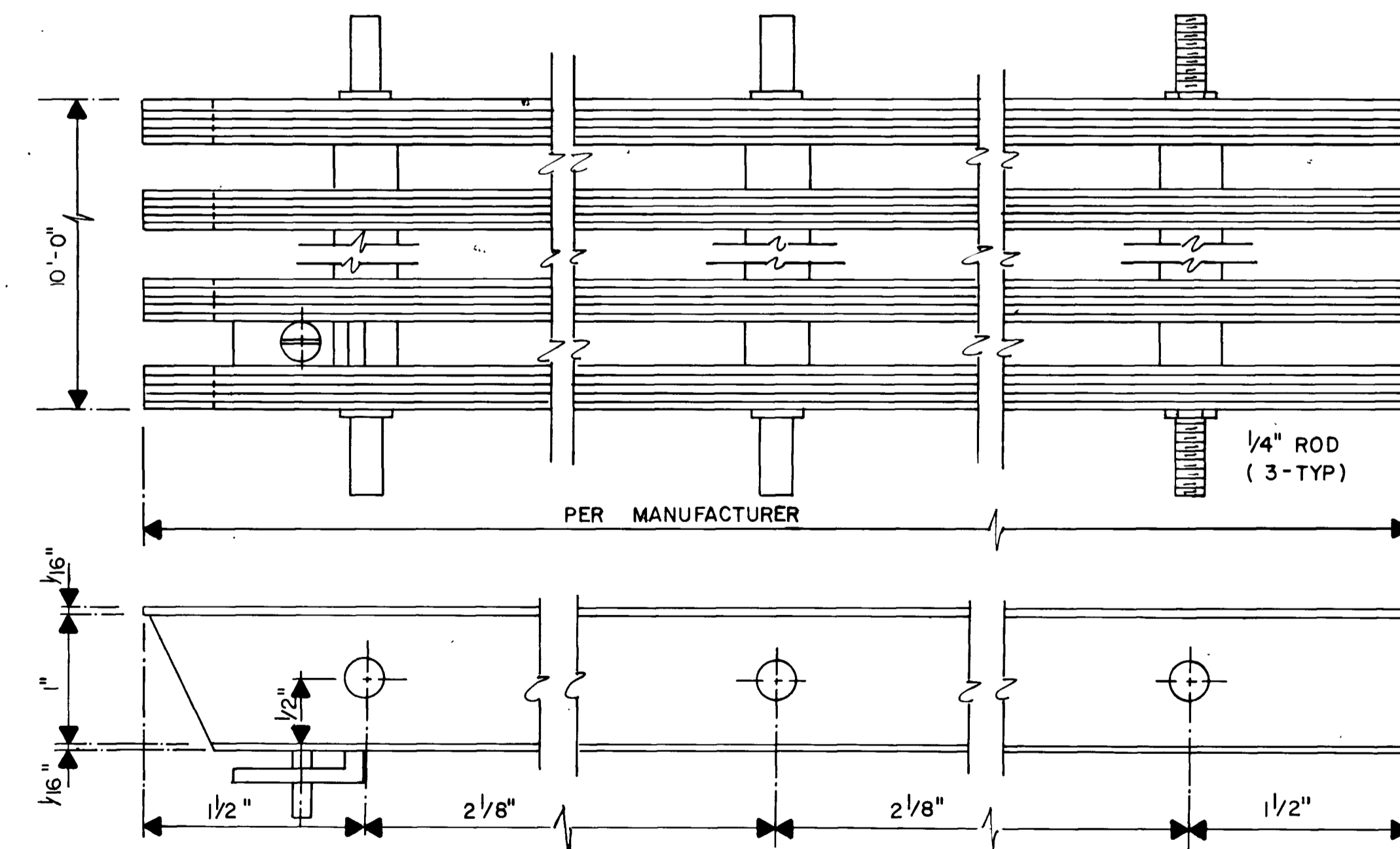
**MAIN DRAIN BOX**

N.T.S.



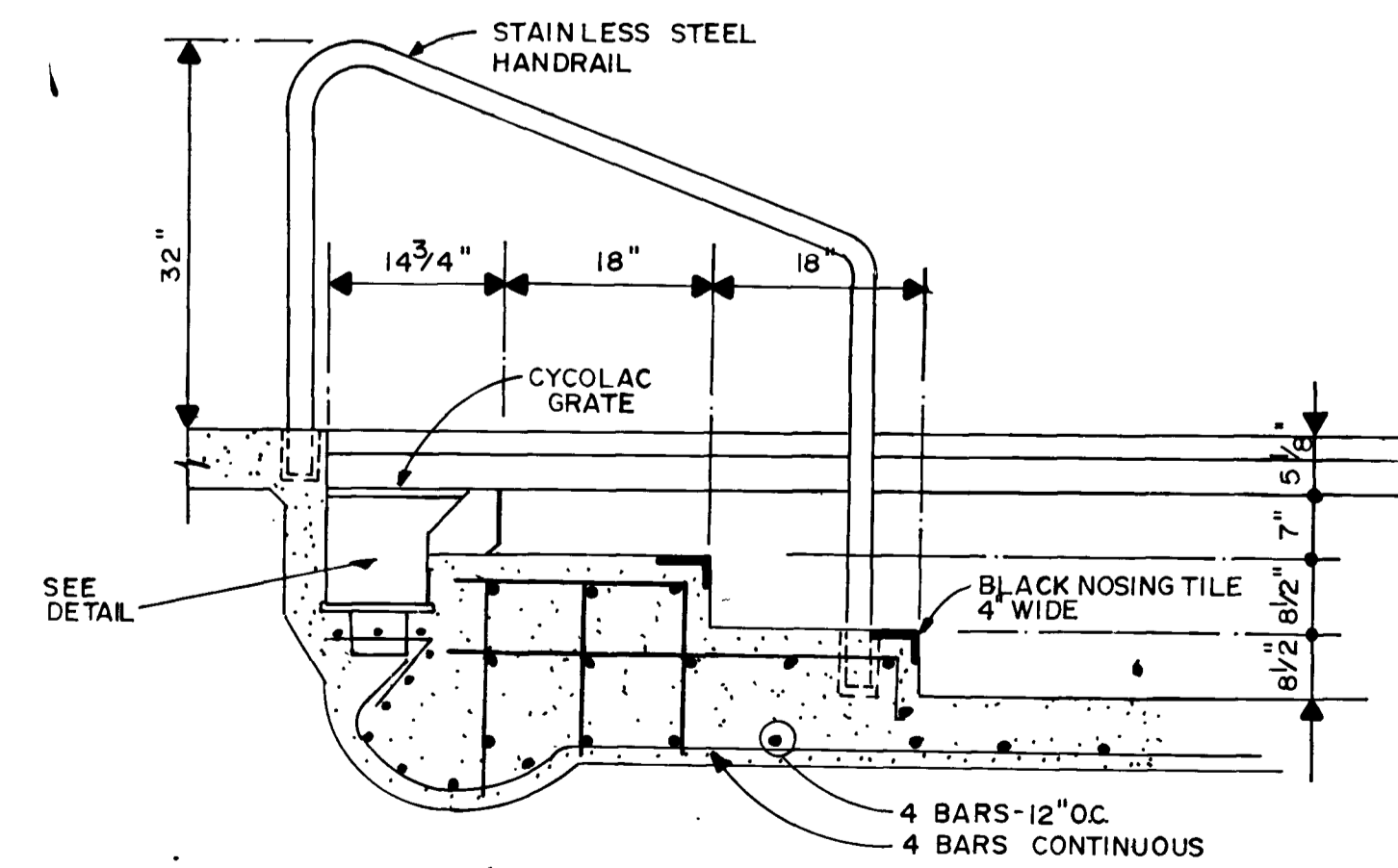
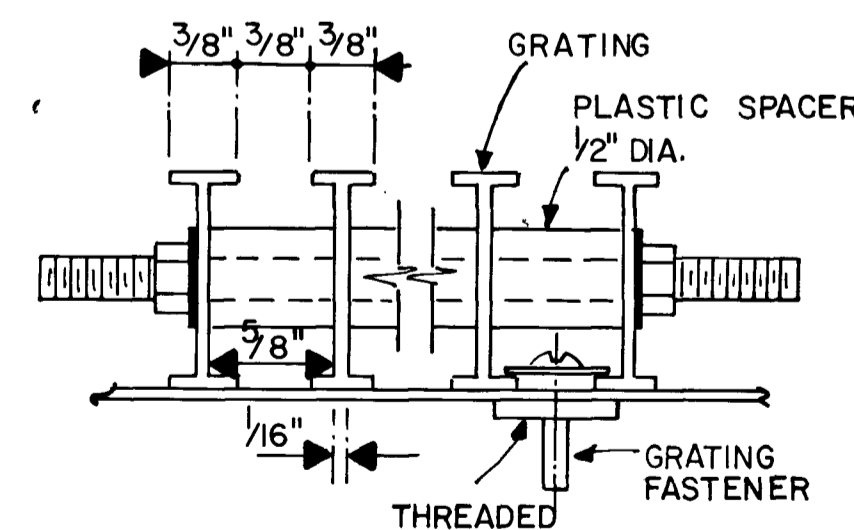
**GUTTER AT STEPS**

NTS



**PVC GRATING DETAIL**

NO SCALE



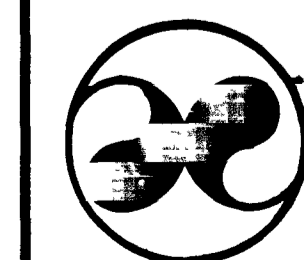
**STEP SECTION DETAIL**

SCALE: 3/4" 1'-0"

CONTRACT NO. 2

RAHWAY RIVER PARK SWIMMING POOL REHABILITATION  
COUNTY OF UNION  
NEW JERSEY

ROBERT F. GROVE A.I.A.  
SCHOOR, De PALMA & GILLEN INC.

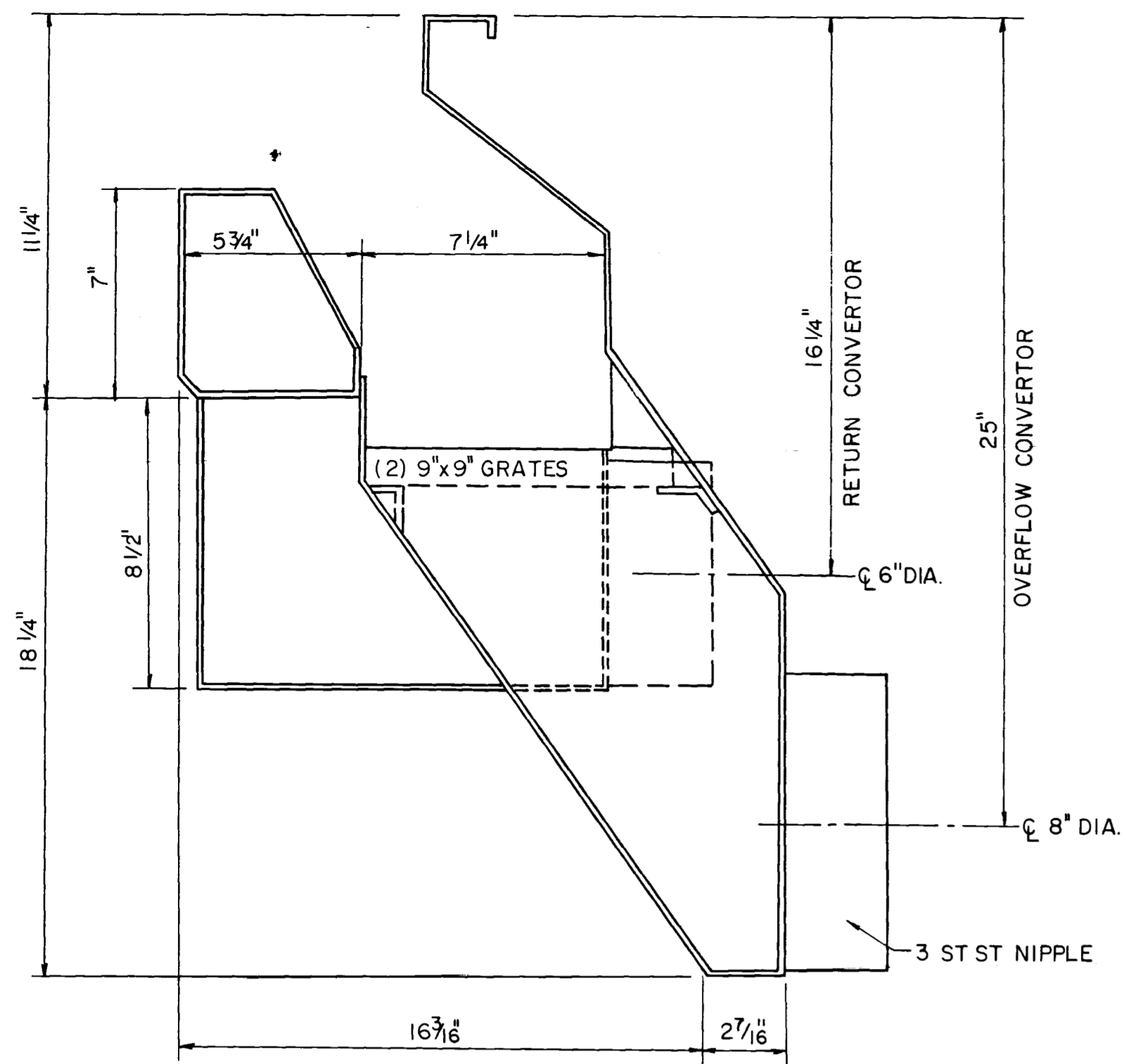


ARCHITECTS & ENGINEERS  
430 MORRIS AVE., ELIZABETH, N.J. 07208  
365 MAIN STREET, MATAWAN, N.J. 07747

HOWARD M. SCHOOR P.E. - L.S. LIC. NO. 14551  
ROBERT F. GROVE A.I.A. C-5874 RICHARD L. MOOR A.I.A. C-6347

REVISIONS	
DATE:	9-24-81
SCALE:	AS SHOWN
DRAWN BY:	C.V.B.
CHECKER:	R.E.D.
CONTRACT:	SHEET
DRAWING:	SP-5

TITLE: **MAIN POOL DETAILS**



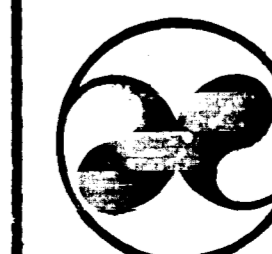
**RECIRCULATING GUTTER CONNECTION**

N.T.S.

CONTRACT NO. 2

RAHWAY RIVER PARK SWIMMING POOL REHABILITATION  
COUNTY OF UNION NEW JERSEY

ROBERT F. GROVE A.I.A.  
SCHOOR, De PALMA & GILLEN INC.

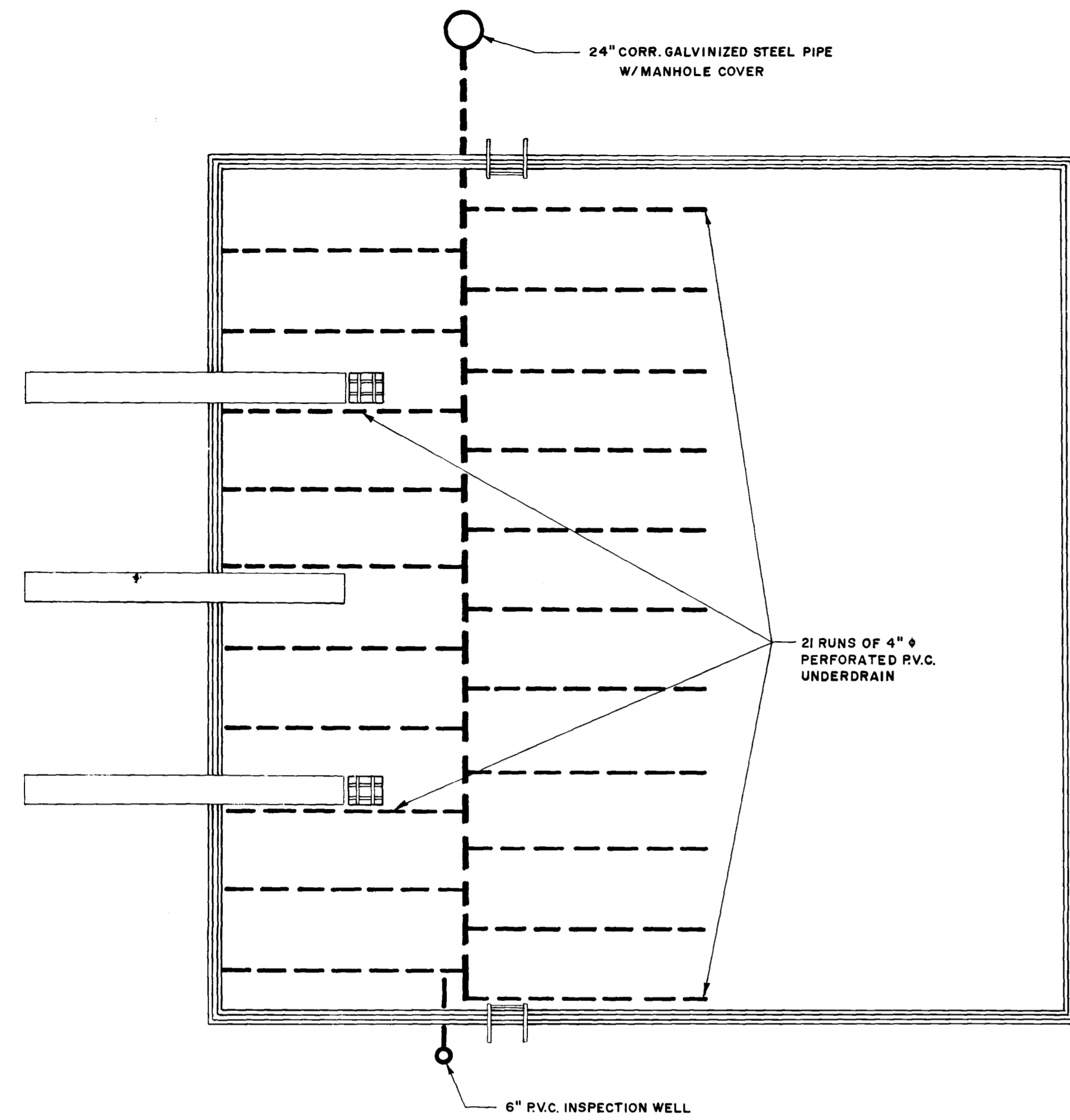


ARCHITECTS & ENGINEERS  
430 MORRIS AVE., ELIZABETH, N.J. 07208  
356 MAIN STREET, MATAWAN, N.J. 07747

HOWARD M. SCHOOR P.E. - L.I.E. LIC. NO. 14551  
ROBERT F. GROVE A.I.A. C-3874 RICHARD L. HOOR A.I.A. C-6347

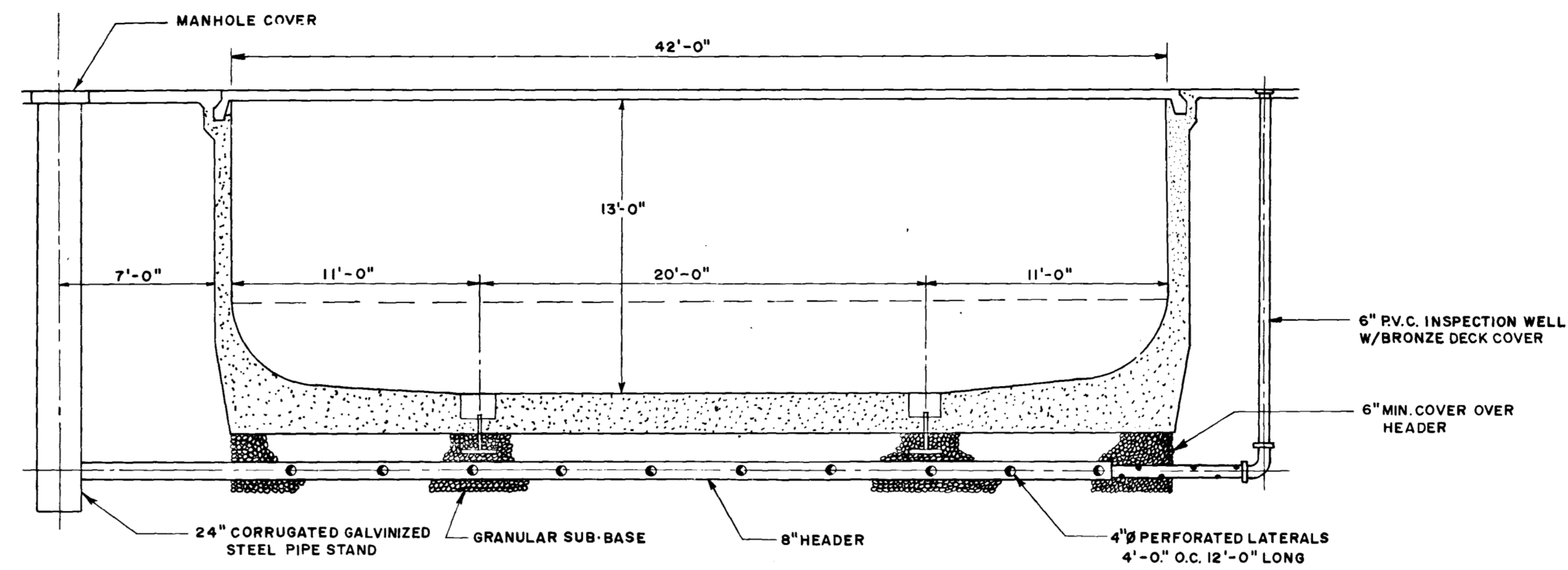
REVISIONS	
DATE:	9-24-81
SCALE: AS SHOWN	
DRAWN BY	CHECKER
C.V.B.	R.E.D.
CONTRACT	SHEET
DRAWING	SP-6

TITLE: **DIVING POOL DETAILS**



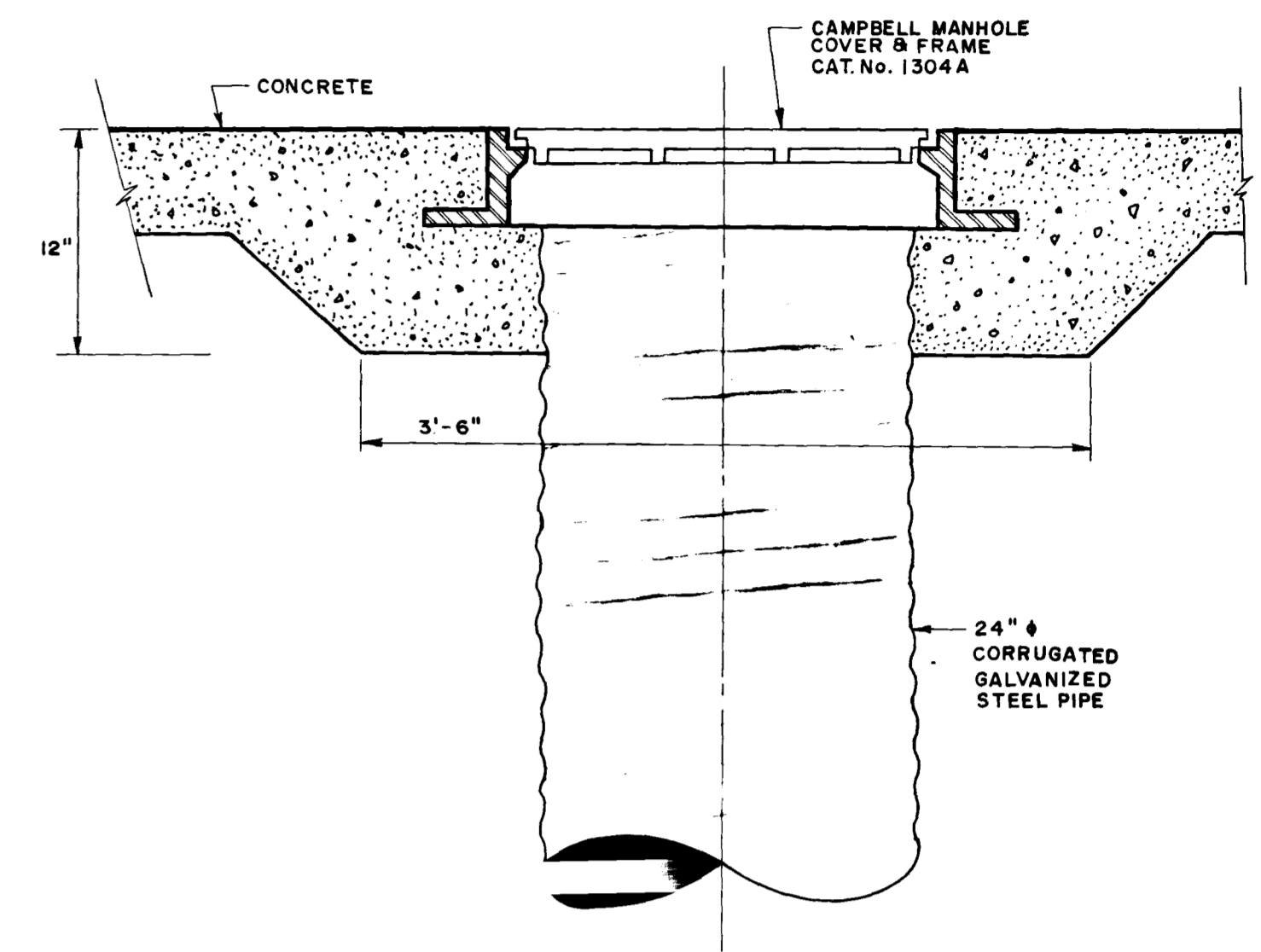
**UNDERDRAIN LAYOUT**

SCALE 3/16" : 1'-0"



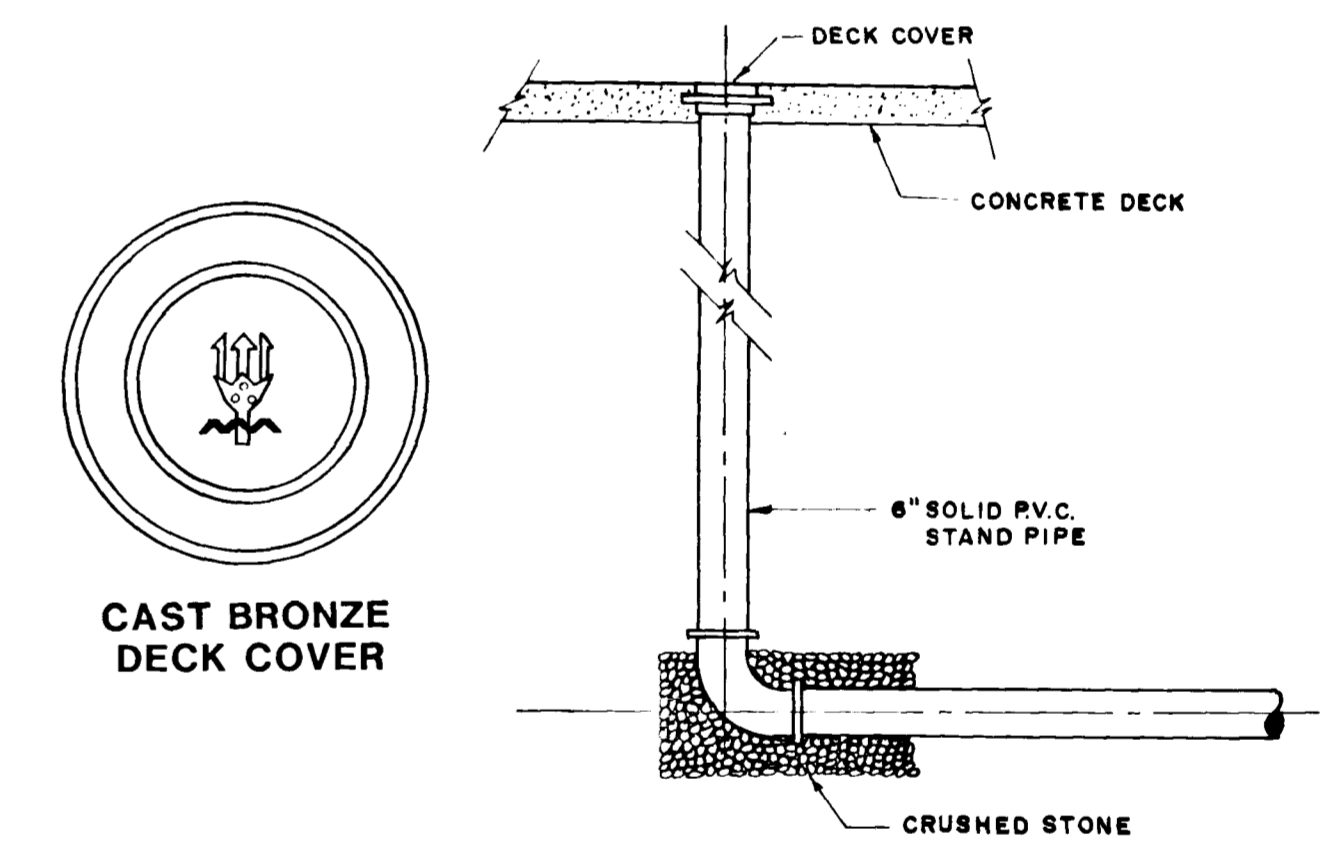
**DEEP END SECTION**

SCALE 3/16" : 1'-0"



**SIGHTWELL**

NO SCALE



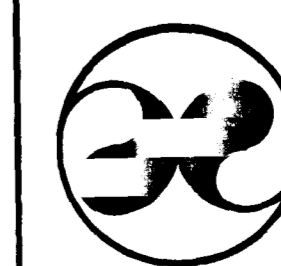
**INSPECTION WELL**

NO SCALE

CONTRACT NO. 2

RAHWAY RIVER PARK SWIMMING POOL REHABILITATION  
COUNTY OF UNION NEW JERSEY

ROBERT F. GROVE A.I.A.  
SCHOOR, De PALMA & GILLEN INC.



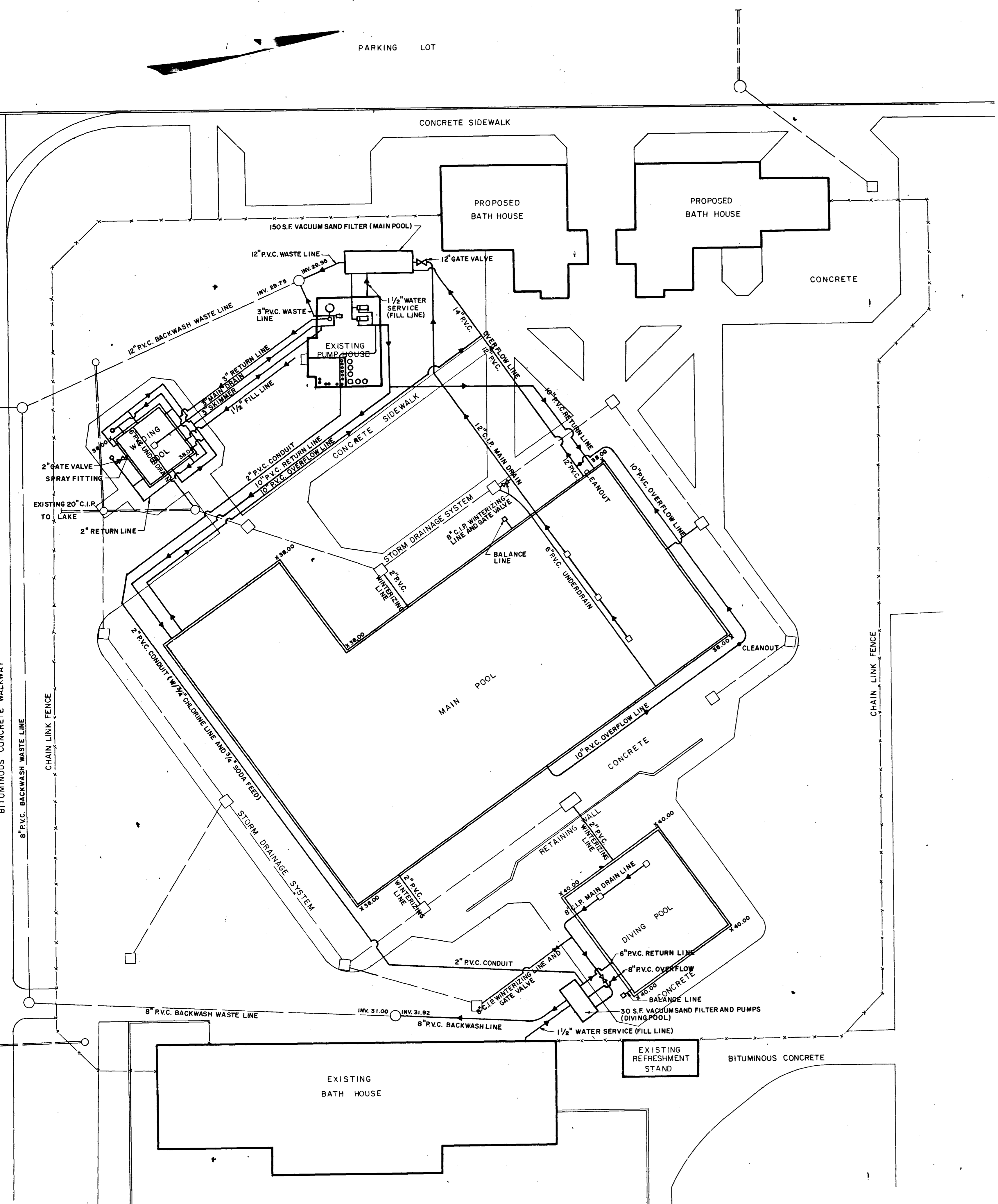
ARCHITECTS & ENGINEERS  
430 MORRIS AVE., ELIZABETH, N.J. 07208  
350 MAIN STREET, MATAWAN, N.J. 07747

ROBERT F. GROVE A.I.A. C-3874 RICHARD L. HOOD A.I.A. C-6347

REVISIONS	
DATE:	9-24-81
SCALE:	AS SHOWN
DRAWN BY:	CHECKER
D.A.G.	R.E.Q.
CONTRACT	SHEET

DIVING POOL UNDERDRAINAGE PLAN SP-7



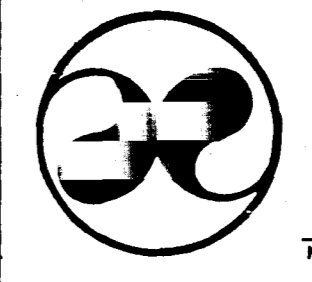


**PLAN**

CONTRACT NO. 2

**RAHWAY RIVER PARK SWIMMING POOL REHABILITATION**  
 COUNTY OF UNION NEW JERSEY

**ROBERT F. GROVE A.I.A.**  
**SCHOOR, De PALMA & GILLEN INC.**

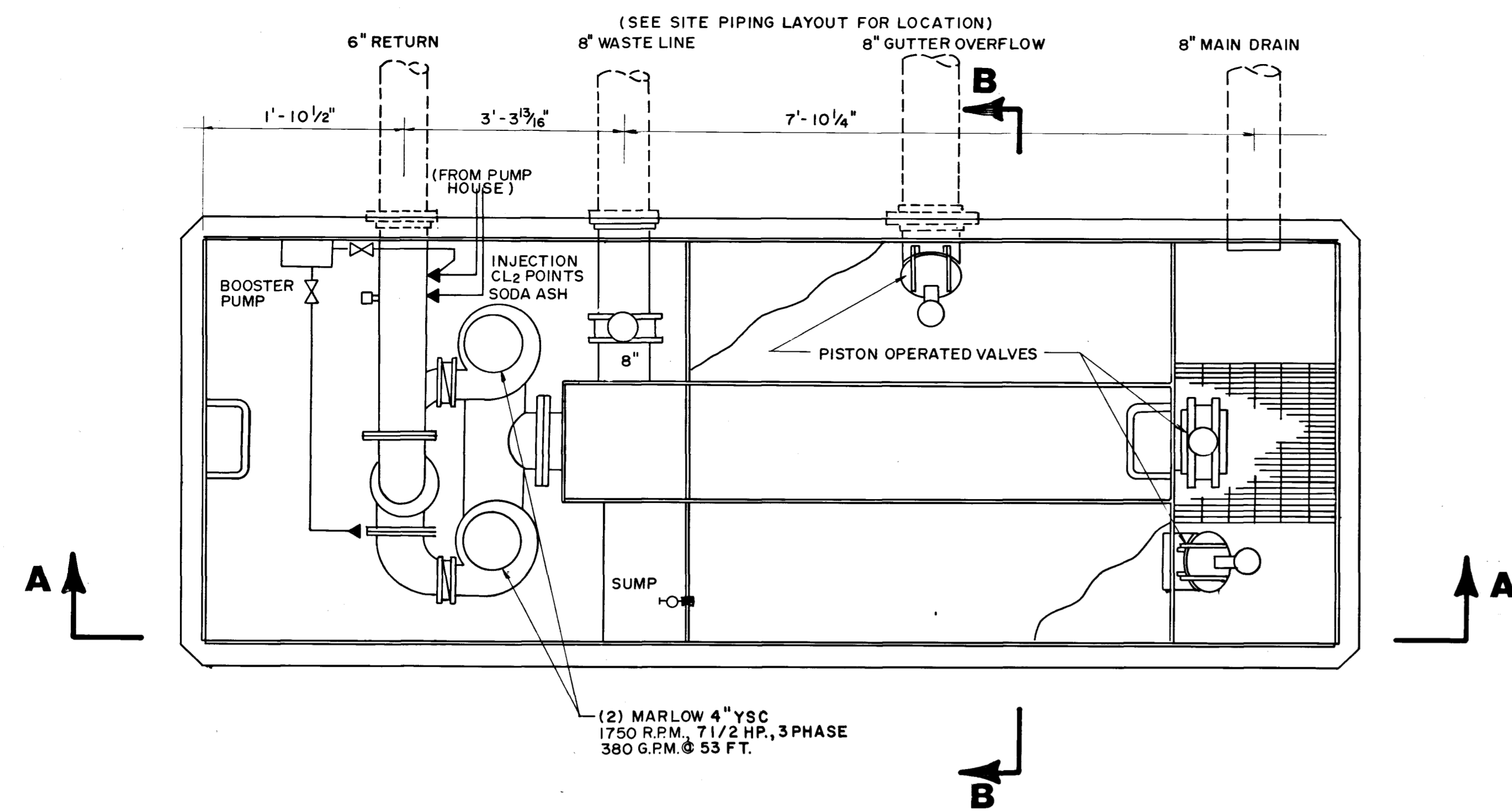


ARCHITECTS & ENGINEERS  
 430 MORRIS AVE., ELIZABETH, N.J. 07208  
 385 MAIN STREET, MATAWAN, N.J. 07747

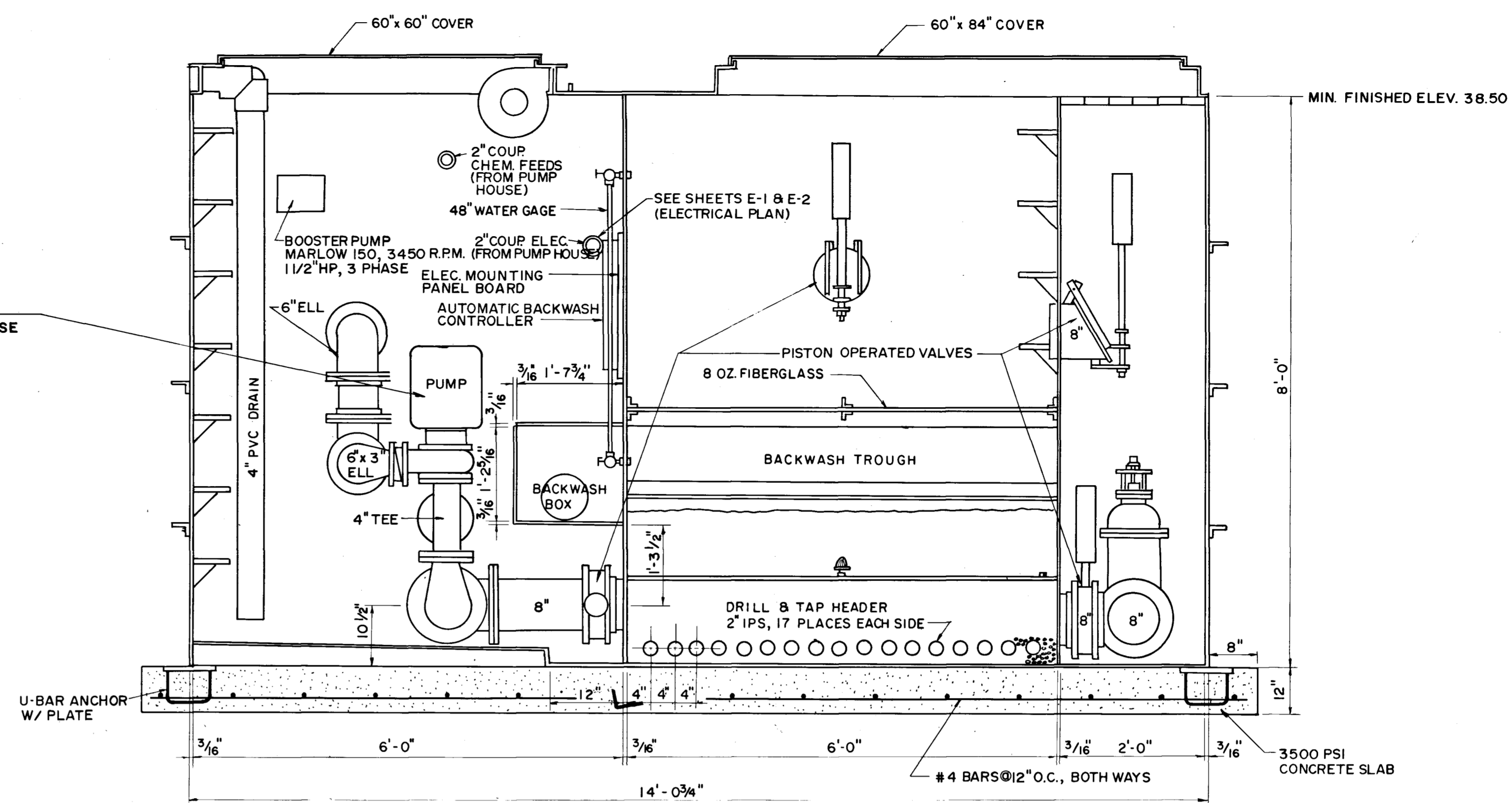
HOWARD H. SCHOOR P.E. - L.S. LIC. NO. 14551  
 ROBERT F. GROVE A.I.A. C-3874 RICHARD L. HOOR A.I.A. C-6347

REVISIONS	
DATE:	9-24-81
SCALE:	1" = 20'
DRAWN BY:	C.V.B.
CHECKER:	R.E.D.
CONTRACT:	SHEET
DRAWING:	SP-8

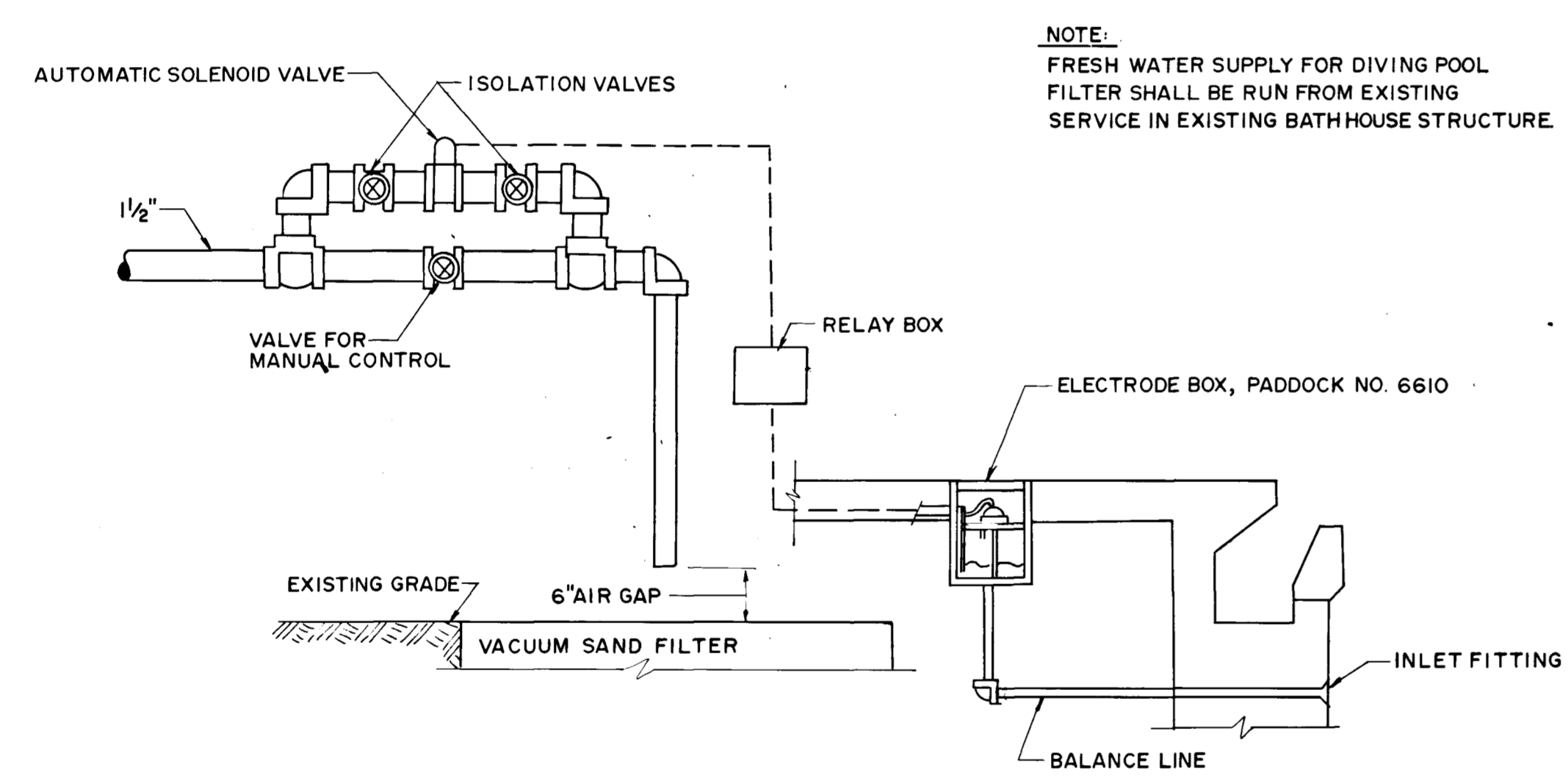
**SITE PIPING LAYOUT**



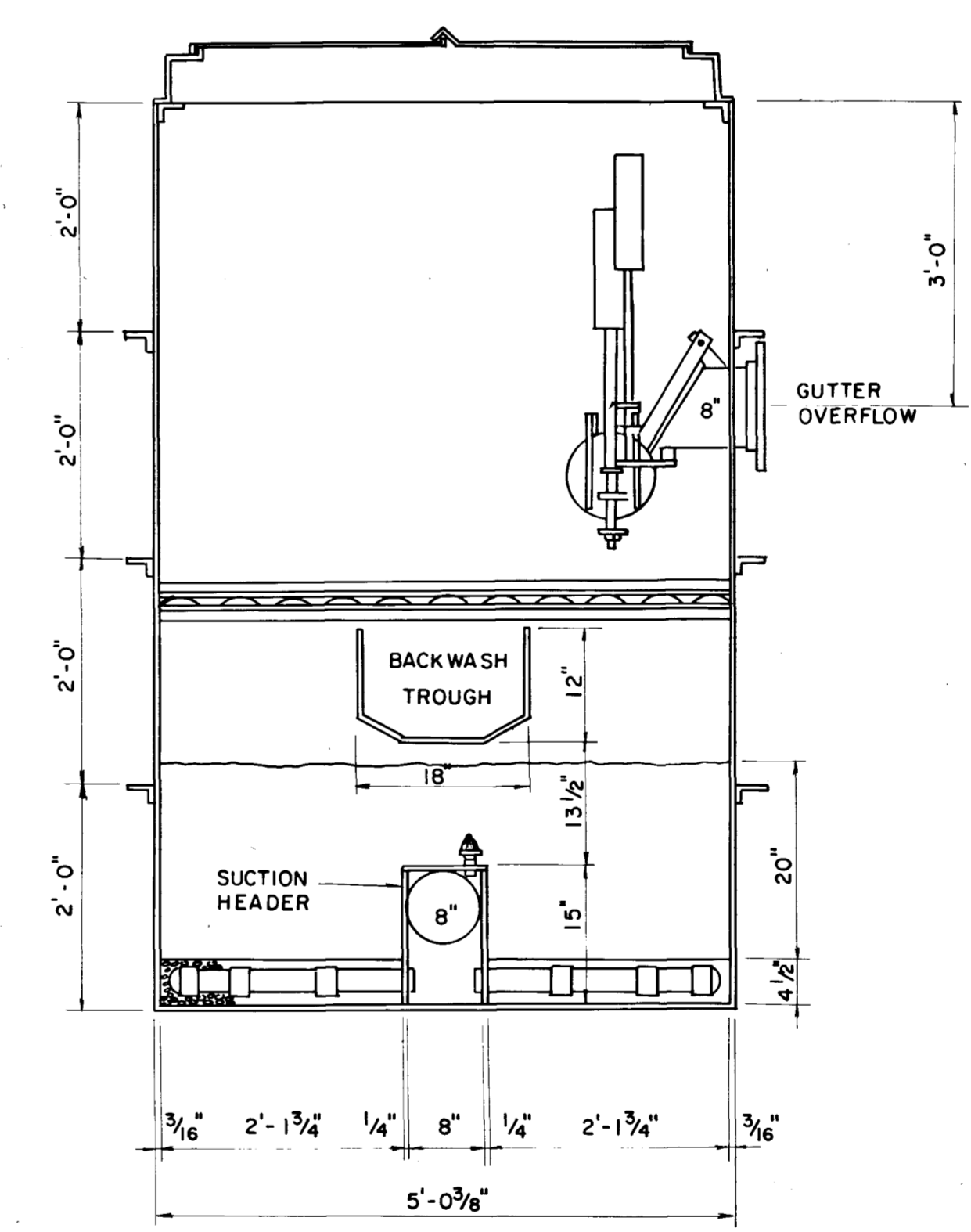
**TOP VIEW**



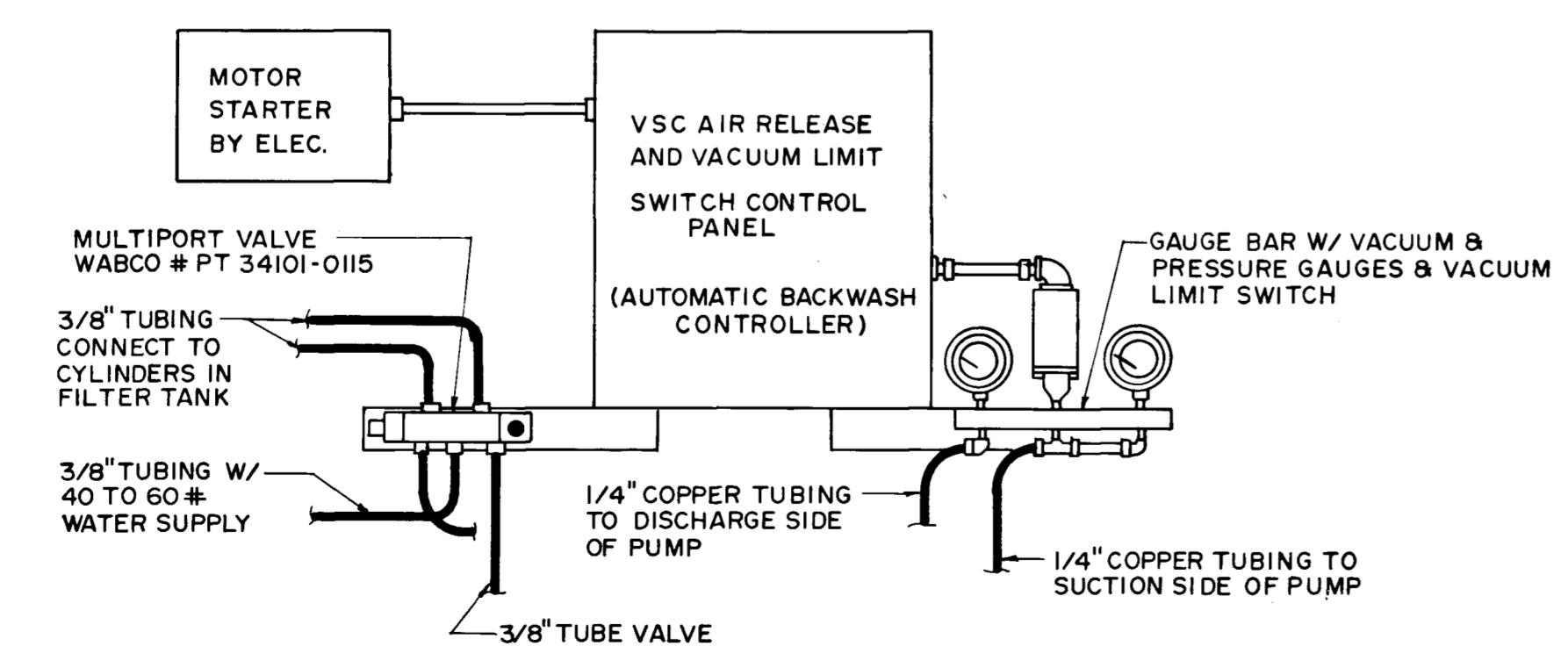
**SECTION A-A**



**AUTOMATIC WATER MAKE-UP SYSTEM**



**SECTION B-B**



**AIR RELEASE & VACUUM CONTROL SYSTEM (AUTOMATIC BACKWASH SYSTEM)**

- NOTE:
1. VSC AIR RELEASE & VACUUM LIMIT SWITCH ASSEMBLY 115 V, 60CYC., 10 AMP CIRCUIT POWER TO BE CONNECTED TO 115 V. ELECTRICALLY HELD CONTACTOR IN MAIN PUMP & MOTOR STARTER. ELECTRICAL CIRCUIT & MOTOR CONNECTION TO BE INSTALLED BY ELECTRICIAN.
  2. VACUUM LIMIT SWITCH, POWER CIRCUIT AND CONNECTION TO PUMP STARTER FROM TERMINAL STRIP IN AIR RELEASE CONTROL PANEL TO BE INSTALLED BY ELECTRICIAN
  3. IDENTICAL ABS SYSTEM TO BE INSTALLED INSIDE FILTER BUILDING FOR MAIN POOL
  4. SYSTEM TO BE "MARK II" AS MANUFACTURED BY PADDOCK POOLS INC.

**CONTRACT NO. 2**

**RAHWAY RIVER PARK SWIMMING POOL REHABILITATION**  
**COUNTY OF UNION**  
**NEW JERSEY**

**ROBERT F. GROVE A.I.A.**  
**SCHOR, De PALMA & GILLEN INC.**

**ARCHITECTS & ENGINEERS**  
 430 MORRIS AVE., ELIZABETH, N.J. 07208  
 305 MAIN STREET, MATAWAN, N.J. 07747

**2-15-82 GENERAL**

REVISIONS

DATE: 9-24-81

SCALE: AS SHOWN

DRAWN BY: C.V.B. CHECKER: R.E.D.

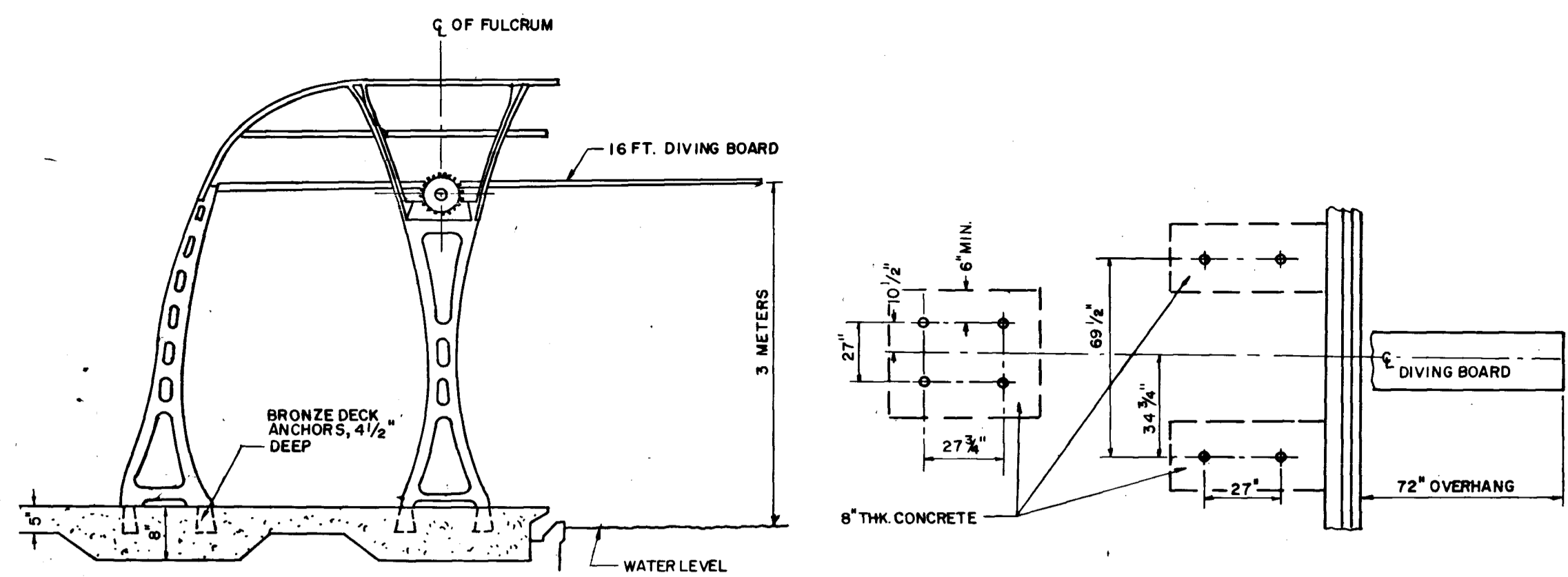
CONTRACT: SHEET

TITLE: **DIVING POOL FILTER SYSTEM**

DRAWING: **SP-10**

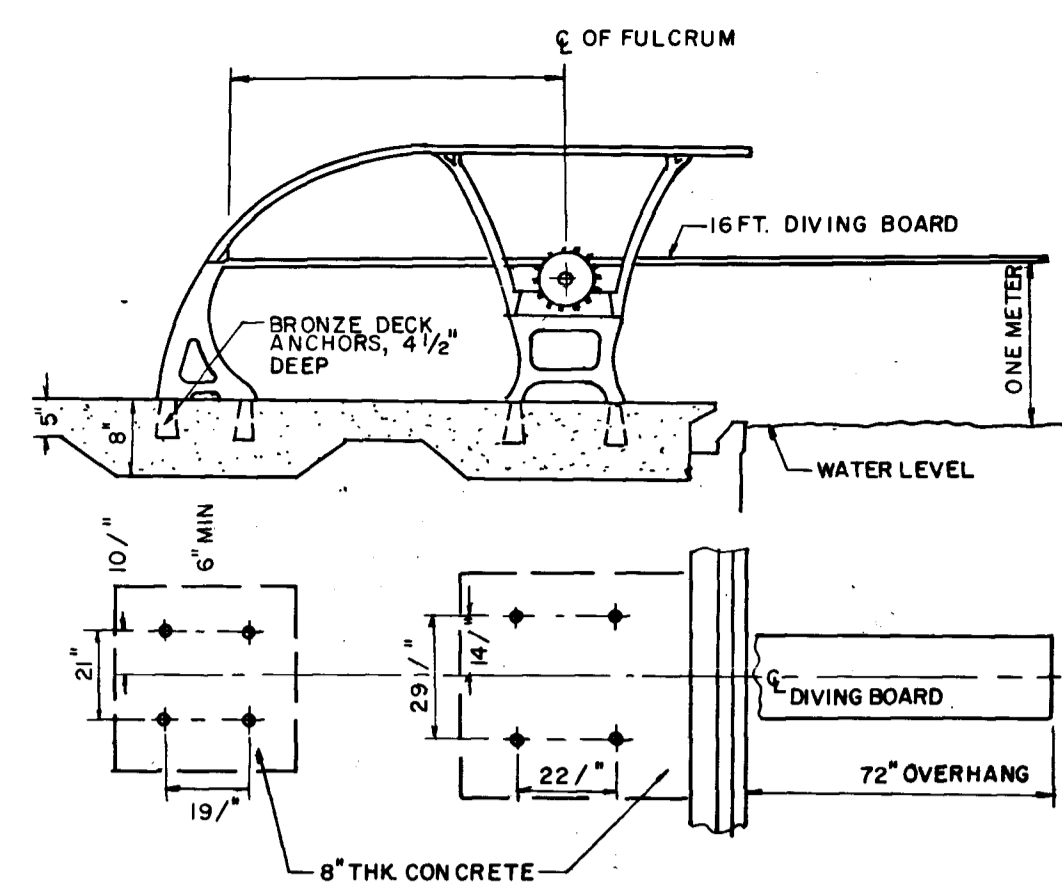
HOWARD M. SCHOR A.E. - L.A. LIC. NO. 14891  
 ROBERT F. GROVE A.I.A. C-3874 RICHARD L. HOOD A.L.A. C-6347

LDS UC 19121



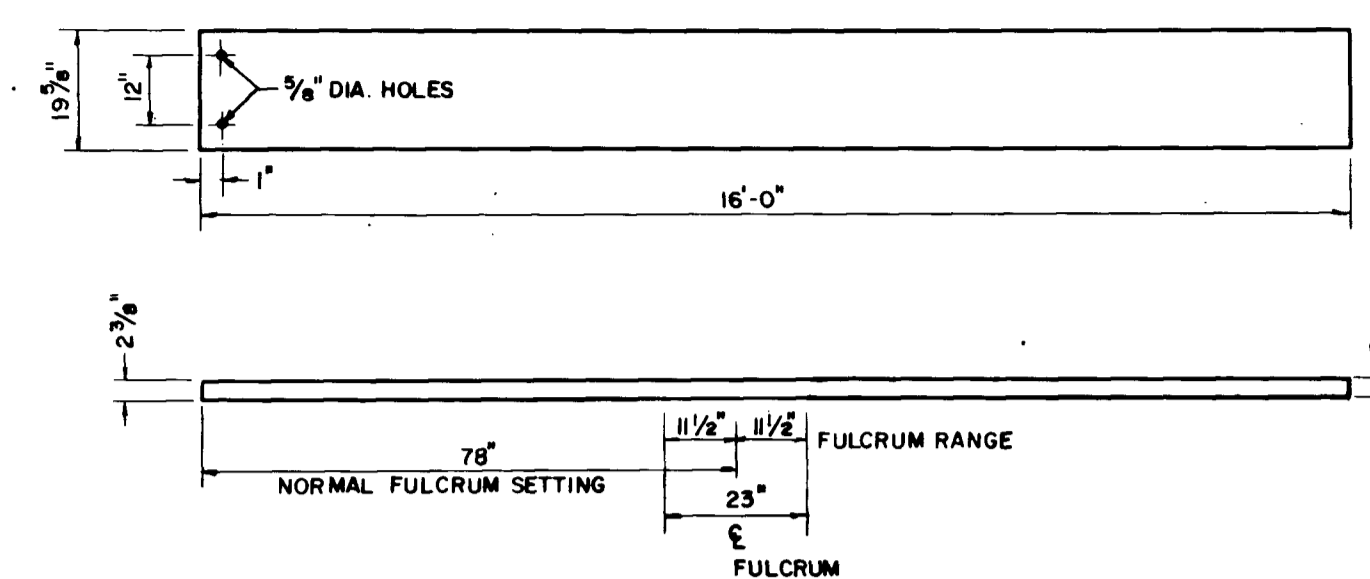
**THREE METER DIVING STAND**

SCALE: 1/4" 1'-0"



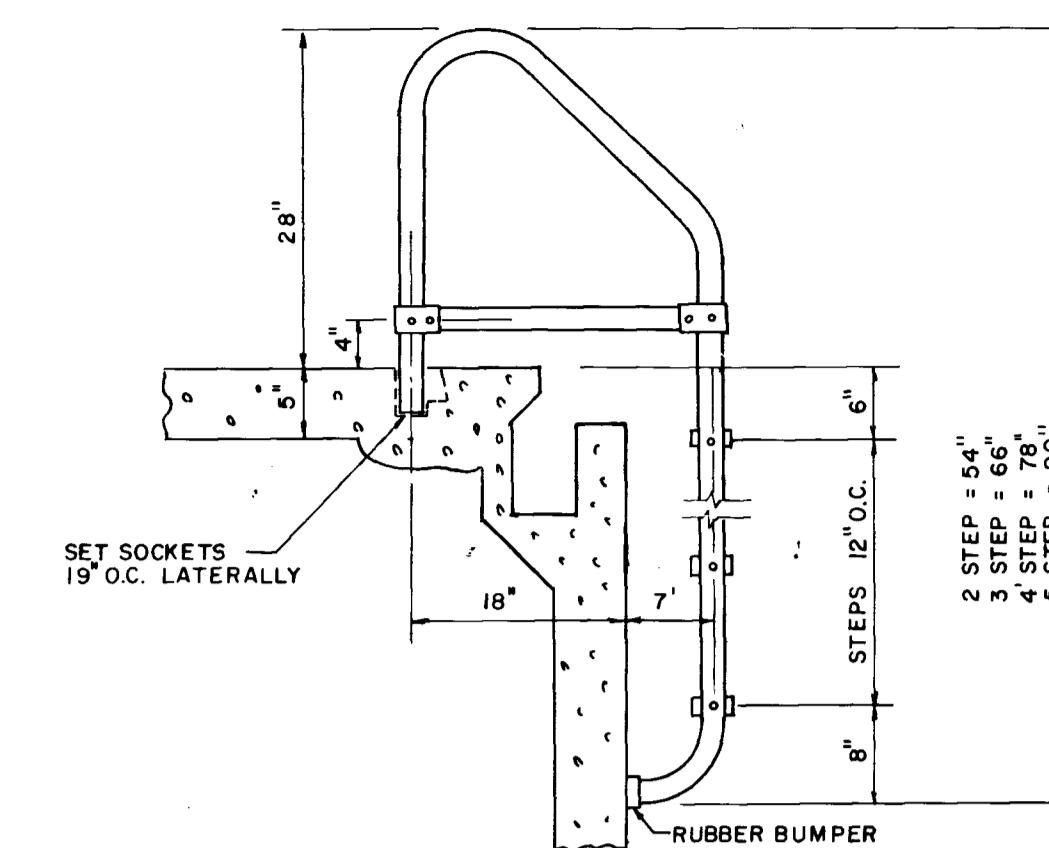
**ONE METER DIVING STAND**

SCALE: 1/4" 1'-0"



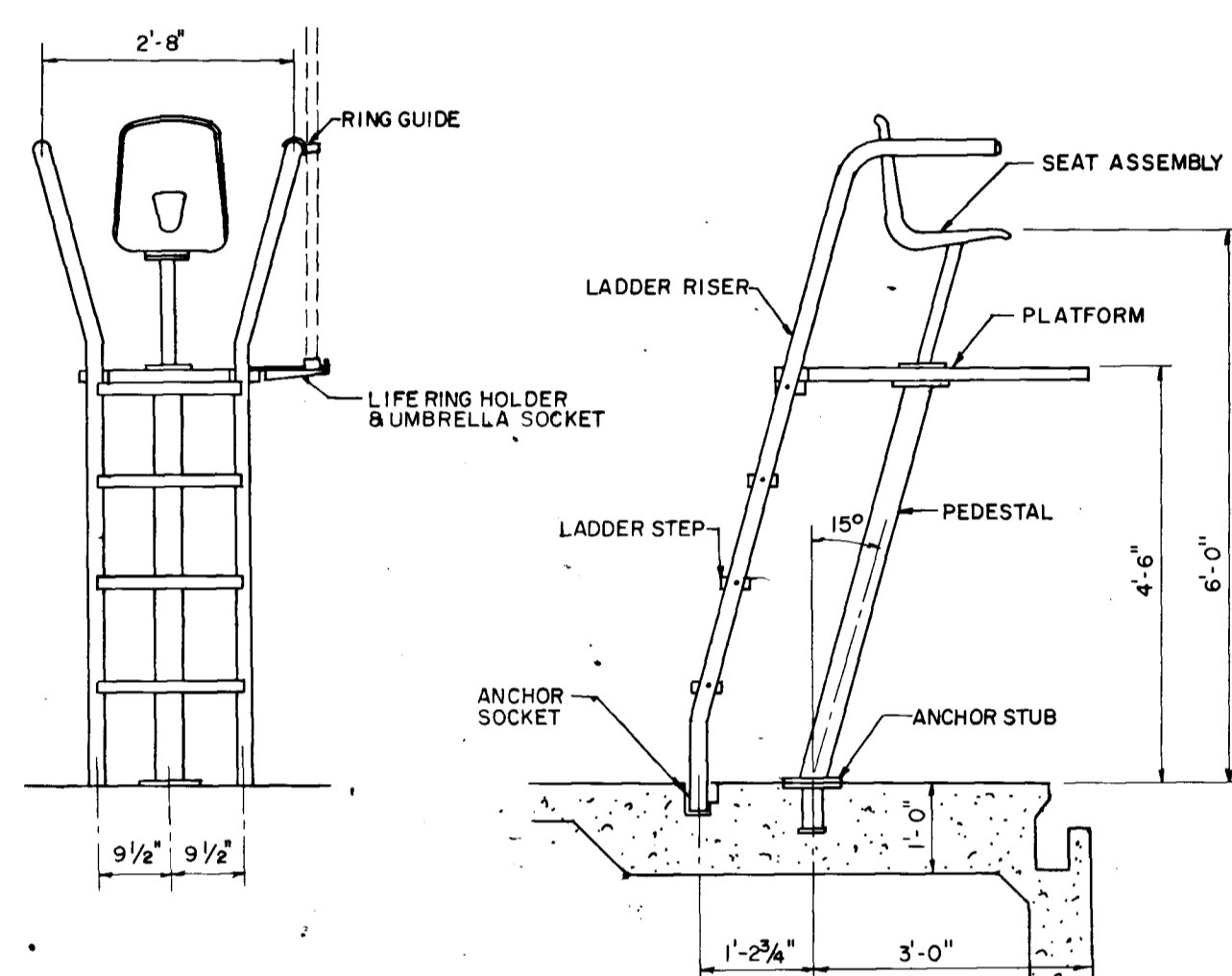
**DIVING BOARDS**

SCALE: 3/8" 1'-0"



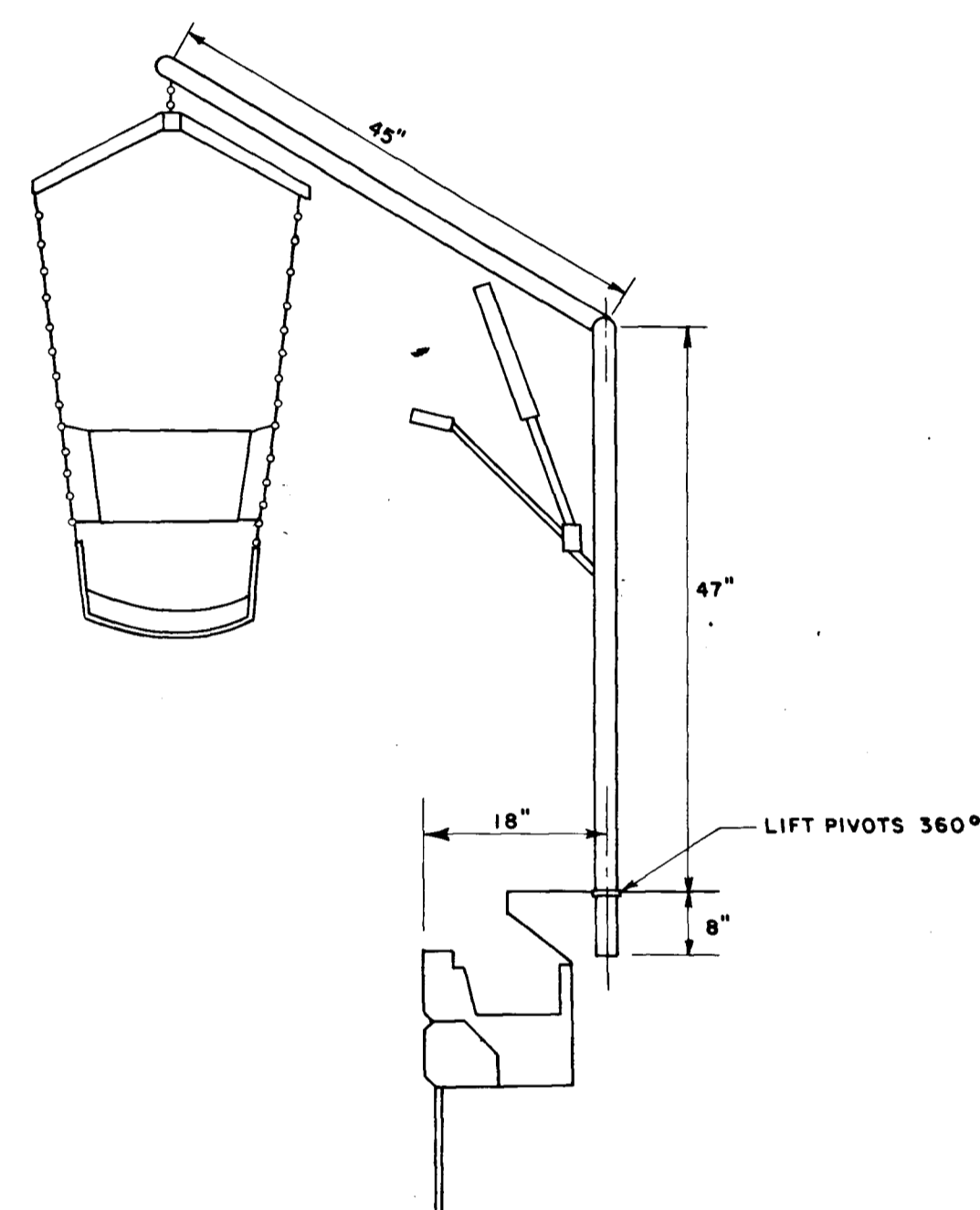
**CROSS BRACED LADDERS**

SCALE: 3/4" 1'-0"



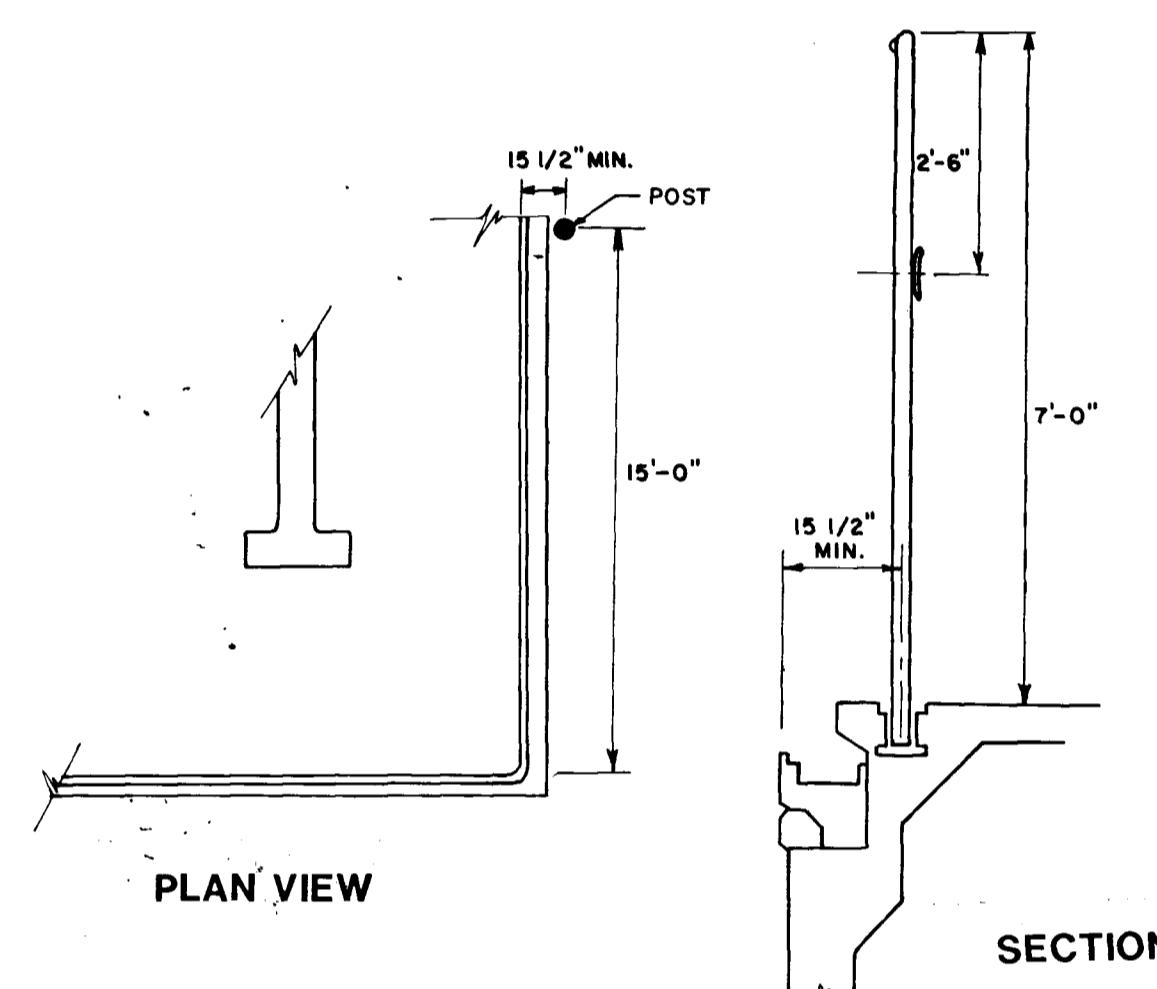
**LIFEGUARD CHAIR**

SCALE: 1/2" 1'-0"



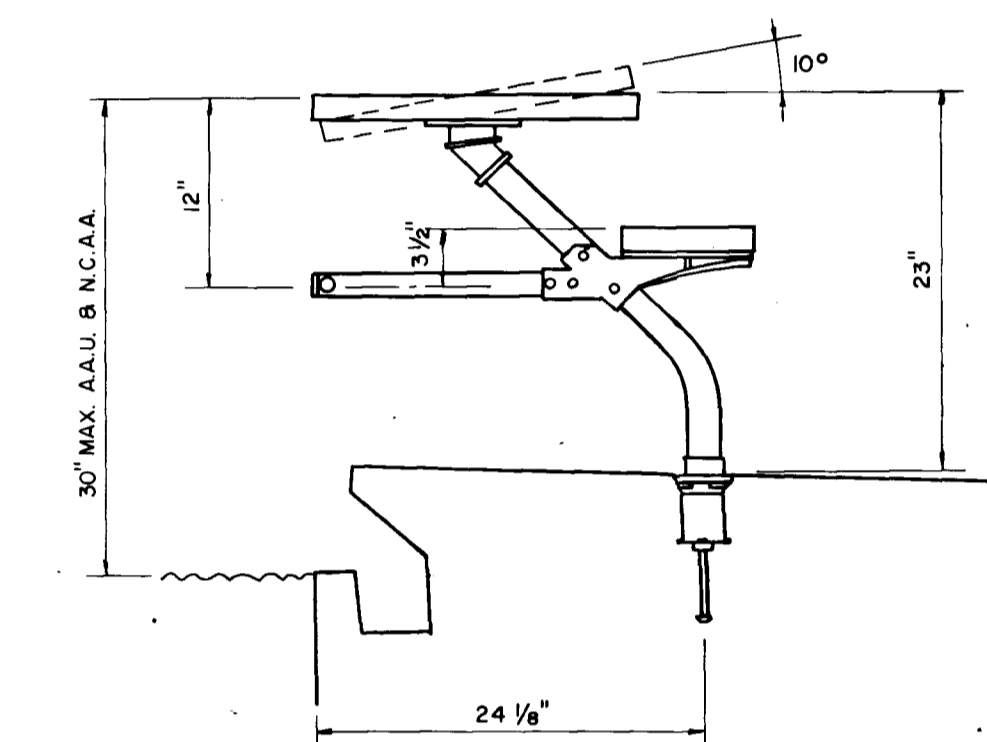
**HOYER LIFT**

NO SCALE



**RECALL & BACKSTROKE MARKER POST**

NO SCALE



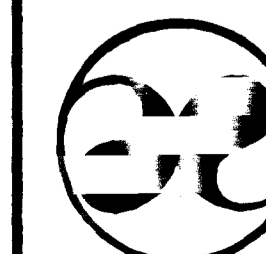
**STARTING PLATFORM**

SCALE: 1" 1'-0"

CONTRACT NO. 2

RAHWAY RIVER PARK SWIMMING POOL REHABILITATION  
COUNTY OF UNION NEW JERSEY

ROBERT F. GROVE A.I.A.  
SCHOOR, De PALMA & GILLEN INC.



ARCHITECTS & ENGINEERS  
430 MORRIS AVE., ELIZABETH, N.J. 07208  
356 MAIN STREET, MATAWAN, N.J. 07747

HOWARD M. SCHOOR P.E. - L.S. LIC. NO. 14851  
ROBERT F. GROVE A.I.A. C-3874 RICHARD L. HOGE A.I.A. C-6347

REVISIONS	
DATE	9-24-81
SCALE	AS SHOWN
DRAWN BY	C.V.B.
CHECKER	R.E.D.
CONTRACT	SHEET
DRAWING	

POOL EQUIPMENT

LDS UC 19124





# RAHWAY RIVER PARK DIVE TANK DEMOLITION

CITY OF RAHWAY  
UNION COUNTY, NEW JERSEY

MARCH, 2017



**CONSTRUCTION NOTES:**

1. THE LOCATIONS OF UTILITIES SHOWN ON THESE PLANS ARE APPROXIMATE. THE CONTRACTOR SHALL CONTACT THE RESPECTIVE UTILITY COMPANIES FOR THEIR EXACT LOCATIONS.
2. TRENCHES OR AREAS EXCAVATED ARE TO BE BACK FILLED WITH DENSE GRADED AGGREGATE AT THE END OF EACH WORKING DAY AND PAVED AT THE END OF THE WORK WEEK. TRENCHES LEFT OPEN OVERNIGHT ARE NOT PERMITTED.
3. THE 2007 NJDOT STANDARD SPECIFICATIONS FOR ROAD AND BRIDGE CONSTRUCTION, AS AMENDED AND ADDED TO HEREIN, SHALL GOVERN IN THIS CONTRACT AND CONSTRUCTION, SHOULD THE SPECIFICATIONS NOT INCLUDE PARTICULAR CONSTRUCTION ITEMS.
4. ANY MATERIAL THAT MAY BE DISTURBED DURING THE REMOVAL AND REPLACEMENT TO EXISTING CURBING AND SIDEWALKS, MUST BE RETURNED TO ITS ORIGINAL CONDITION. THE COST FOR THIS SHALL BE INCLUDED IN THE UNIT PRICE BID IN THE APPROPRIATE PAY ITEM.
5. THE CONTRACTOR SHALL BE RESPONSIBLE FOR TAPERING PROPOSED WORK TO MEET EXISTING CONDITIONS IN A UNIFORM MANNER.
6. THE CONTRACTOR SHALL RECEIVE ALL THE NECESSARY PERMITS & APPROVALS FROM ALL LOCAL, COUNTY, AND STATE GOVERNING AGENCIES, PRIOR TO CONSTRUCTION. THE CONTRACTOR IS RESPONSIBLE FOR ANY ASSOCIATED FEES, AND SAME TO BE INCLUDED IN THE VARIOUS BID ITEMS.
7. THE CONTRACTOR IS RESPONSIBLE FOR CONTACTING THE ONE CALL NUMBER (800) 272-1000 FOR MARK OUTS PRIOR TO START OF WORK. THE CONTRACTOR SHALL RECORD AND HAVE THE CONFIRMATION NUMBER ONSITE DURING CONSTRUCTION.
8. THE CONTRACTOR SHALL VISIT THE SITE TO PERFORM HIS OWN DUE DILIGENCE, AND FAMILIARIZE HIMSELF WITH THE EXISTING CONDITIONS PRIOR TO SUBMITTING HIS BID. ANY DISCREPANCIES SHALL BE IMMEDIATELY REPORTED TO THE ENGINEER.

**GENERAL NOTES:**

**EXISTING CONDITIONS**

1. IT IS THE CONTRACTORS RESPONSIBILITY TO ASCERTAIN ALL UTILITY LOCATIONS PRIOR TO BIDDING.

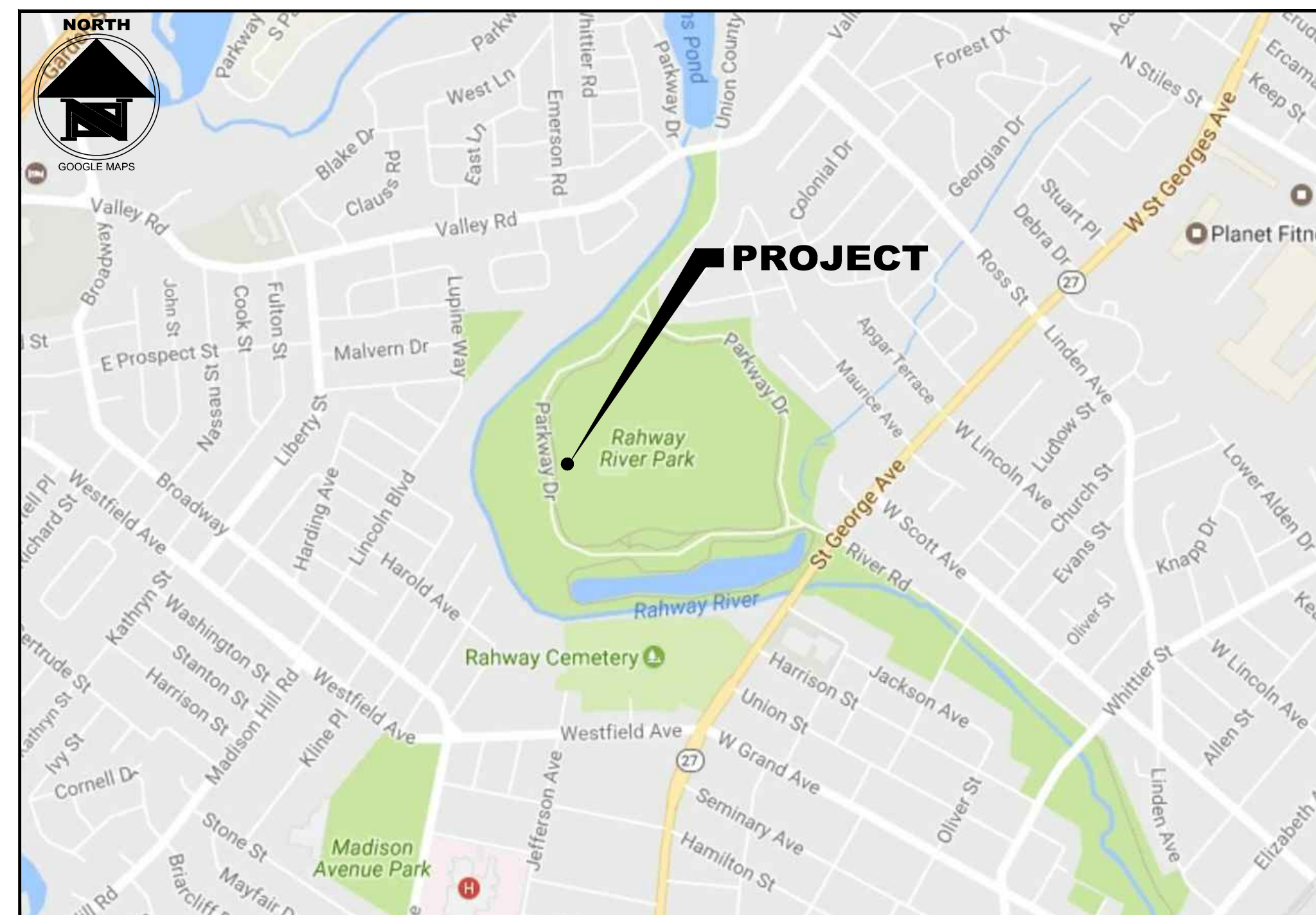
**PROPOSED WORK**

1. MAINTENANCE AND PROTECTION OF PEDESTRIAN TRAFFIC CONTROL MUST CONFORM TO NJDOT AND MUTCD STANDARDS ALONG WITH THE REQUIREMENTS OF THE MUNICIPALITY. POLICE TRAFFIC DIRECTORS SHALL BE COORDINATED WITH THE MUNICIPALITY.
2. ALL STORM DRAINS AND CATCH BASINS WILL BE PROTECTED AT ALL TIMES. ANY DAMAGE WILL BE REPAIRED BY THE CONTRACTOR AT THE CONTRACTOR'S EXPENSE.
3. ALL FILL REMOVED FROM THE TRENCH IS TO BE DISCARDED BY THE CONTRACTOR IN ACCORDANCE WITH ALL LOCAL, STATE, AND FEDERAL REQUIREMENTS. THE TRENCH MUST BE OF SUITABLE WIDTH TO OBTAIN PROPER MECHANICAL COMPACTING, NOT TO EXCEED 4 FEET IN WIDTH. ALL BACKFILL IS TO BE DONE WITH QUARRY PROCESS STONE, TYPE I-5 OR DGA FOR THE FULL DEPTH OF THE TRENCH. FIRST LIFT OF FILL, TWELVE (12) INCHES ABOVE THE PIPE, SHALL BE COMPACTED USING A JUMPING JACK TAMPER. SUCCESSIVE LIFTS SHALL BE COMPACTED BY MECHANICAL MEANS SUCH AS TAMPING, VIBRATING OR ROLLING. A VIBRA PLATE TAMPER IS NOT ACCEPTABLE.
4. SEE SITE PLAN FOR PROPOSED FINISHED SURFACE TREATMENTS.
5. THE CONTRACTOR SHALL KEEP THE TRENCH FILLED TO THE LEVEL OF THE SURROUNDING GRADES UNTIL SETTLEMENT HAS CEASED.
6. TRAFFIC CONTROL DEVICES AS NECESSARY TO BE INCLUDED IN THE VARIOUS BID ITEMS.
7. TRAFFIC CONTROL TO BE IN ACCORDANCE WITH MUNICIPAL, UNION COUNTY, AND MUTCD STANDARDS.

**RESTRICTIONS AND REQUIREMENTS**

1. WORKING HOURS SHALL BE IN ACCORDANCE WITH UNION COUNTY REQUIREMENTS.
2. THE CONTRACTOR SHALL FURNISH AN APPROVED CONSTRUCTION SCHEDULE PRIOR TO MOBILIZATION.
3. THE CONTRACTOR SHALL MAINTAIN ACCESS FOR EMERGENCY VEHICLES.
4. THE CONTRACTOR SHALL PROVIDE PRE-CONSTRUCTION PHOTOGRAPHS OR VIDEOTAPES OF THE PROJECT AREA. PHOTOGRAPHS SHALL BE LABELED WITH DESCRIPTORS AND CORRESPONDING PHOTO LOCATION MAP AND MOUNTED INTO BINDERS. AUDIO SHALL BE USED ON VIDEOTAPES TO DESIGNATE THE PHOTO LOCATIONS AND DESCRIPTORS. THE CONTRACTOR SHALL PROVIDE THE PHOTOGRAPHS OR VIDEOTAPES PRIOR TO MOBILIZATION.
5. THE CONTRACTOR SHALL OBSERVE ALL SOIL EROSION AND SEDIMENT CONTROL MEASURES ILLUSTRATED WITHIN THESE CONSTRUCTION PLANS. A STAGING AREA HAS NOT BEEN DETERMINED FOR USE BY THE CONTRACTOR AT THE TIME THESE CONTRACT DRAWINGS WERE DRAWN. WHEN A STAGING AREA IS DETERMINED, THE CONTRACTOR SHALL CALL THE UNION COUNTY SOIL CONSERVATION DISTRICT (908-231-7000) FOR INSPECTION OF THE STAGING AREA. THE CONTRACTOR IS RESPONSIBLE TO IMPLEMENT ALL SOIL EROSION AND SEDIMENT CONTROL MEASURES AT THE STAGING AREA PRIOR TO INSPECTION. ALL COSTS TO BE INCLUDED IN THE VARIOUS ITEMS BID.

ALL WORK STATED IN THESE NOTES, PLANS AND SPECIFICATIONS SHALL BE INCLUDED IN THE VARIOUS BID ITEMS UNLESS SPECIFICALLY ITEMIZED ON THE PROPOSAL SHEET. THE CONTRACTOR IS NOT LIMITED TO THE REQUIREMENTS WITHIN THESE NOTES AND IS STRONGLY ADVISED TO REVIEW THE SPECIFICATIONS FOR ADDITIONAL INFORMATION.



**KEY MAP (N.T.S.)**  
SOURCE: REF. GOOGLE MAPS

**SHEET INDEX**

DRAWING NO.	DRAWING TITLE
1.00	COVER SHEET / KEY MAP
2.00	OVERALL EXISTING CONDITIONS
3.00	DEMOLITION PLAN
4.00	SITE RESTORATION & SOIL EROSION PLAN
5.00	SECTIONS
6.00	SOIL EROSION & SEDIMENT CONTROL DETAILS

ALFRED J. FAELLA  
COUNTY MANAGER

**BOARD OF CHOSEN FREEHOLDERS**

BRUCE H. BERGEN  
CHAIRMAN

SERGIO GRANADOS  
VICE CHAIRMAN

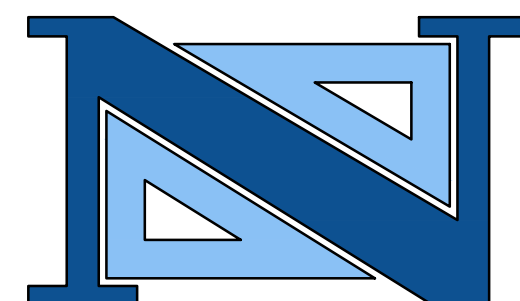
LINDA CARTER  
ANGEL G. ESTRADA  
CHRISTOPHER HUDAK  
MOHAMED S. JALLOH  
BETTE JANE KOWALSKI  
ALEXANDER MIRABELLA  
VERNELL WRIGHT



CAUTION: IF THIS DOCUMENT DOES NOT CONTAIN THE RAISED IMPRESSION SEAL OF THE PROFESSIONAL, IT IS NOT AN AUTHORIZED ORIGINAL DOCUMENT AND MAY HAVE BEEN ALTERED. © COPYRIGHT 2017 BY NEGLIA ENGINEERING. ALL RIGHTS RESERVED.

CERTIFICATE OF AUTHORIZATION (N.J.S.A. 45:8-56) GA 276890

REVISIONS			NO.	DATE	DESCRIPTION	DRAWN	DESIGNED	CHECKED



THOMAS R. SOLFARO, P.E., C.M.E.  
PROFESSIONAL ENGINEER  
N.J. LICENSE NO. 41635

DAVID R. ATKINSON, P.E., C.M.E.  
PROFESSIONAL ENGINEER  
N.J. LICENSE NO. 45556

A PROJECT OF  
**NEGLIA ENGINEERING ASSOCIATES**  
34 PARK AVENUE  
TEL: 201-939-8805  
LYNDHURST NEW JERSEY  
FAX: 201-939-0846  
E-MAIL: NEA@NEGLIAENGINEERING.COM  
**MICHAEL J. NEGLIA, P.E., P.L.S., P.P.**  
PROFESSIONAL ENGINEER N.J. LICENSE NO. 38604  
PROFESSIONAL LAND SURVEYOR N.J. LICENSE NO. 38604  
PROFESSIONAL PLANNER N.J. LICENSE NO. 33L00569800

**COVER SHEET / KEY MAP  
RAHWAY RIVER PARK  
DIVE TANK DEMOLITION  
CITY OF RAHWAY**

**UNION COUNTY NEW JERSEY**

DRAWN BY: MEW CHECKED BY: DRA PROJECT NO: UNIOCTY17.010 SHEET NO: 1.00  
DESIGNED BY: BRORA SCALE: N.T.S. DATE: MARCH 31, 2017  
FIELD BOOK NO: PAGE:

m:\union county\uniocty17.010 rahway river park dive tank demo\cover sheet.dwg [Printed: Friday, March 31, 2017 11:56:26 AM]

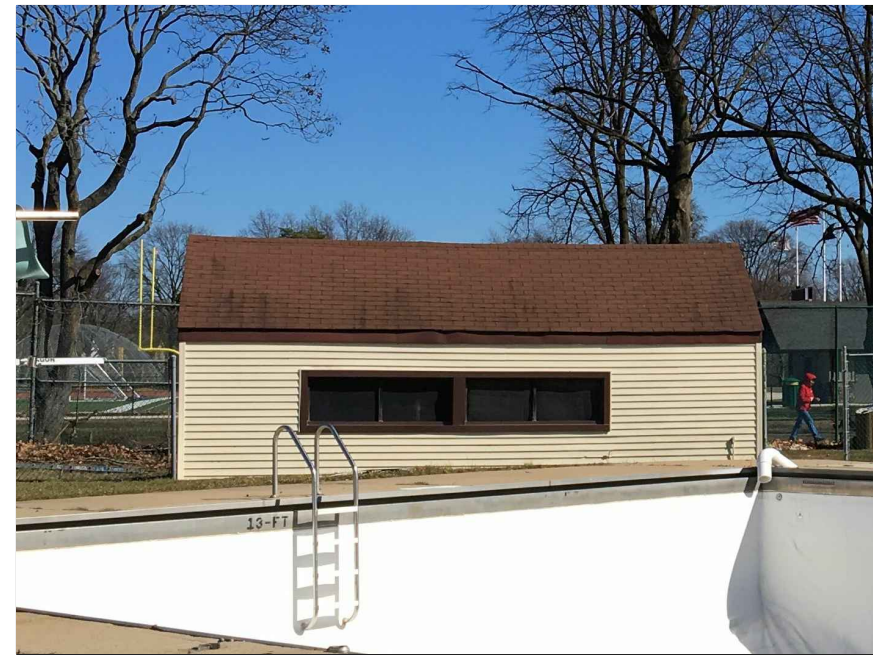




1. OVERVIEW OF DIVE TANK AREA



5. INTERIOR OF FILTER BLDG.



2. EXTERIOR OF LIFE GUARD BLDG.



6. INTERIOR OF FILTER BLDG.



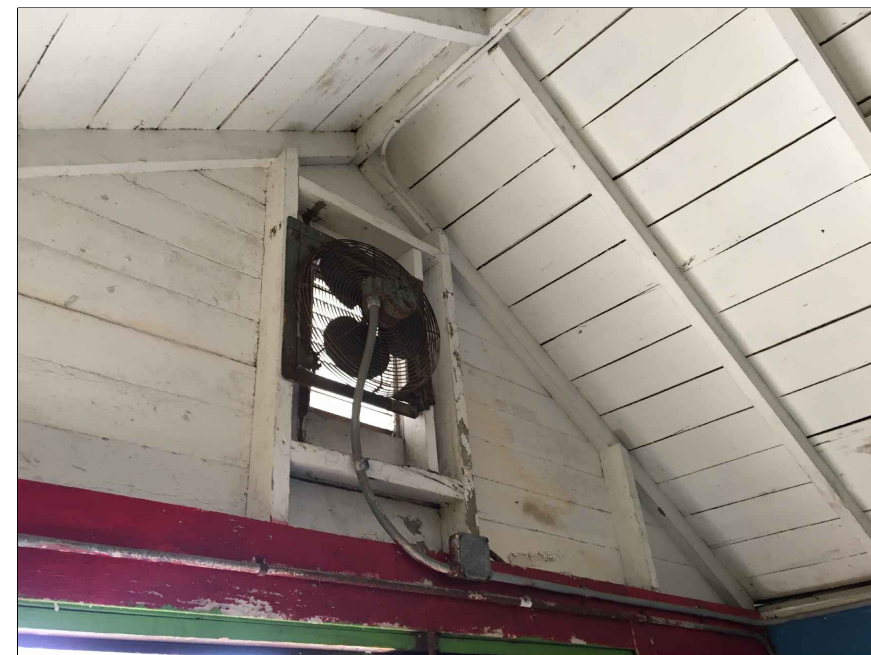
3. EXTERIOR OF FILTER BLDG.



7. INTERIOR OF LIFE GUARD BLDG.



4. DIVING PLATFORMS

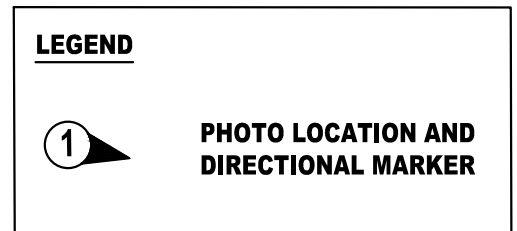
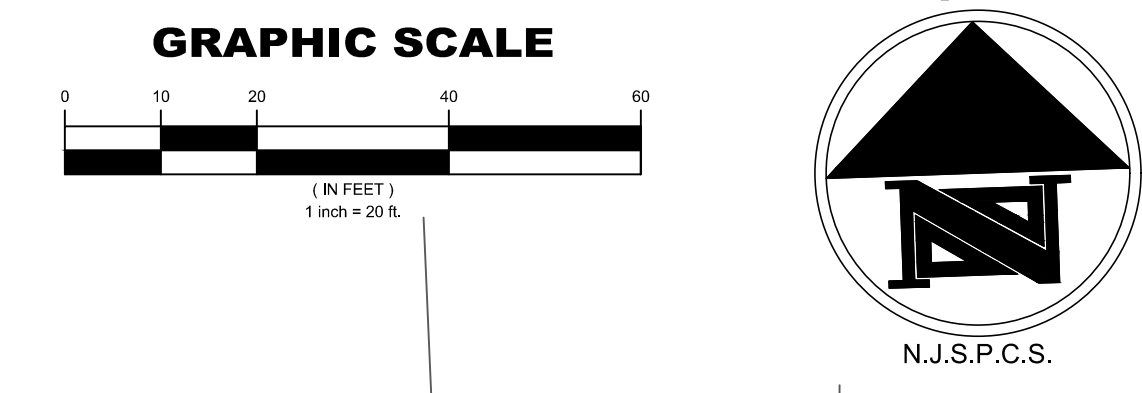
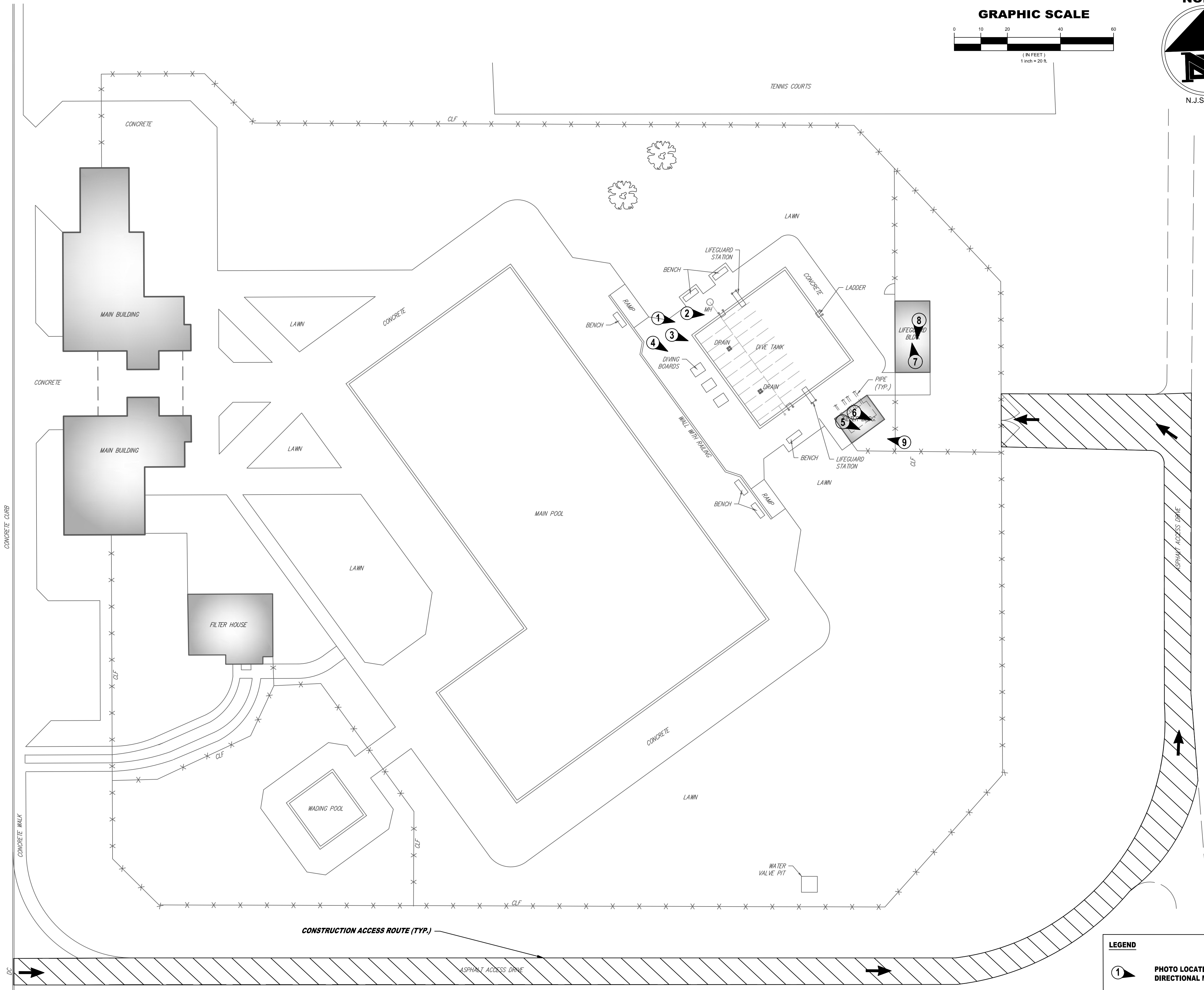


8. INTERIOR OF FILTER BLDG.



9. WATER TO BE CAPPED (FILTER BLDG.)

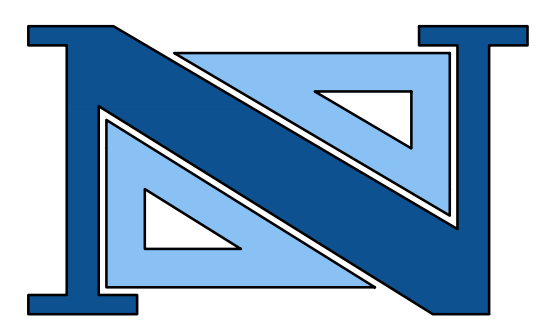
\* NOTE: EXISTING BASE DRAWING OBTAINED FROM "REHABILITATION OF THE RAHWAY RIVER PARK SWIMMING POOL - DIVING POOL PLAN" AS PREPARED BY ROBERT F. GROVE AND SCHOOR, DEPALMA & GILLEN INC., DATED SEPT. 24, 1981.



CAUTION: IF THIS DOCUMENT DOES NOT CONTAIN THE RAISED IMPRESSION SEAL OF THE PROFESSIONAL, IT IS NOT AN AUTHORIZED ORIGINAL DOCUMENT AND MAY HAVE BEEN ALTERED. © COPYRIGHT 2017 BY NEGLIA ENGINEERING. ALL RIGHTS RESERVED.

CERTIFICATE OF AUTHORIZATION (N.J.S.A. 45:8-56) GA 276890

REVISIONS			DRAWN	DESIGNED	CHECKED
NO.	DATE	DESCRIPTION			



**THOMAS R. SOLFARO, P.E., C.M.E.**  
PROFESSIONAL ENGINEER  
N.J. LICENSE NO. 41635

**DAVID R. ATKINSON, P.E., C.M.E.**  
PROFESSIONAL ENGINEER  
N.J. LICENSE NO. 45556

A PROJECT OF  
**NEGLIA ENGINEERING ASSOCIATES**  
34 PARK AVENUE  
TEL: 201-939-8805  
LYNDHURST NEW JERSEY  
FAX: 201-939-0846  
E-MAIL: NEA@NEGLIAENGINEERING.COM

**MICHAEL J. NEGLIA, P.E., P.L.S., P.P.**  
PROFESSIONAL ENGINEER  
N.J. LICENSE NO. 38604

PROFESSIONAL LAND SURVEYOR  
N.J. LICENSE NO. 38604

PROFESSIONAL PLANNER  
N.J. LICENSE NO. 33L00569800

**OVERALL EXISTING CONDITIONS/ACCESS PLAN**  
**RAHWAY RIVER PARK**  
**DIVE TANK DEMOLITION**  
**CITY OF RAHWAY**  
**UNION COUNTY NEW JERSEY**

DRAWN BY: MEW  
DESIGNED BY: BRORA  
FIELD BOOK NO:

CHECKED BY: DRA  
SCALE: 1" = 20'  
PAGE:

PROJECT NO: UNIOCTY17.010  
DATE: MARCH 31, 2017

SHEET NO: 2.00

m:\union county\uniocty17.010 rahway river park dive tank demo\load\_final (pilot) files\02.00 overall existing plan.dwg Plotter: Friday, March 31, 2017 12:00:38 PM



TENNIS COURTS

CLF

**EXISTING CONCRETE POOL, LINER & VARIOUS APPURTENANCES TO BE REMOVED (SEE SHEET 5.00 FOR TYPICAL POOL SECTIONS)**

**EXISTING LIFE GUARD CHAIR TO BE REMOVED (TYP.)  
 2 UNITS**

**EXISTING MANHOLE TO BE REMOVED (TYP.)**

**EXISTING BENCH TO BE REMOVED (TYP.)  
 3 UNITS**

**EXISTING CONCRETE WALKWAY TO BE REMOVED (TYP.)**

**EXISTING 4' HIGH CHAIN LINK FENCE & GATE TO BE REMOVED (TYP.)**

**EXISTING LIFE GUARD/STORAGE BUILDING & FOUNDATION TO BE REMOVED (SEE PHOTOS 2, 7 AND 8 ON SHEET 2.00)**

**EXISTING FILTER BUILDING & ASSOCIATED ELECTRICAL, MECHANICAL, PLUMBING, ETC. WITHIN THE BLDG. TO BE REMOVED. EXISTING PIT SHALL BE REMOVED AND BACKFILLED. ALL PIPING MAY BE CAPPED BELOW GRADE. (SEE SHEET 5.00, SECTION THROUGH FILTER PIT) (SEE PHOTOS 3, 5 AND 6 ON SHEET 2.00)**

**EXISTING 1 1/2" WATER LINE TO BE CAPPED, AND A NEW VALVE & SPIGOT TO BE INSTALLED WITHIN THE WATER VALVE PIT. (SEE SHEET 2.00 FOR LOCATION)**

**EXISTING DIVING BOARDS TO BE REMOVED (TYP.)  
 3 UNITS**

**SAWCUT EXISTING CONCRETE SIDEWALK (TYP.)  
 CONTRACTOR IS RESPONSIBLE TO PROTECT THE EXISTING CONCRETE SURFACE, WALL, AND RAILING OUTSIDE THE LIMITS OF DEMOLITION.**

**EXISTING DIVE TANK UNDERDRAIN SYSTEM TO BE REMOVED (TYP.)**

**EXISTING CLEANOUT TO BE REMOVED**

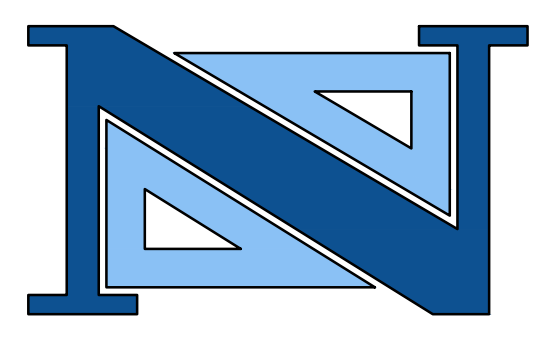
MAIN POOL

- Demolition Plan Notes**
1. Before the demolition work is started, contractor shall obtain all permits required by Federal, State, and Local jurisdictions for all phases and operations of the Work.
  2. Burning debris is prohibited.
  3. The use of explosives is prohibited.
  4. Protect utilities during the Work of this Section.
  5. Contractor shall verify the status and location of all utilities within and surrounding the demolition limits.
  6. Disconnection of all utility services, including sewer, water, gas and electric lines, and capping and plugging of services shall be in accordance with the requirements of all Municipal and Public Services Corporations.
  7. Remove and dispose of concrete and bituminous pavement and sidewalk, trees, shrubs, hedges, brush, stumps, roots, dirt, stone, debris, surplus materials and rubbish, as shown or otherwise directed.
  8. Remove curbs, slabs on grade, and fences as shown or directed otherwise.
  9. Repair any and all damages or injury to the adjacent properties caused by the work and leave the properties in as good condition as before work was started. The Contractor shall relieve the Owner of all responsibility for any claims due to such injury and shall defend any action brought by reason thereof.
  10. If so directed, the Contractor shall thoroughly wet the Work to prevent dust.
  11. Protect trees not designated for removal as shown on the Plans.
  12. Remove demolition debris and excess fill from the site as soon as practicable.
  13. Transport demolition debris and excess fill to designated disposal area as soon as practicable. Grade disposal areas to adjacent contours and slope to drain.
  14. Do not store, sell or burn materials on Town property.
  15. The removal and disposal of materials and debris accumulated by clearing site is regulated under the Solid Waste Management Act (N.J.S.A. 13:11 E-1) and is governed by N.J.A.C. 7:26 et seq. The Contractor shall dispose of the material and debris according to the solid waste management plan developed by the solid waste management district of origin. Proper documentation from the disposal facility shall be submitted to the Engineer.
  16. All demolition shall be in accordance with Local, County, State and Federal regulations.
  17. The Contractor is specifically cautioned that the location and/or records of the various utilities shown on these plans is based on records of the various utility companies, and where possible, field measurements. The information is not to be relied on as being complete or exact. The Contractor must contact all the appropriate utility companies at least 48 hours before any work or excavation to request a field mark out of existing utilities. The Contractor must call 1 (800) 242-1000 before commencement of work. It will be the Contractor's responsibility to locate all on site utilities prior to start of demolition work.

CAUTION: IF THIS DOCUMENT DOES NOT CONTAIN THE RAISED IMPRESSION SEAL OF THE PROFESSIONAL, IT IS NOT AN AUTHORIZED ORIGINAL DOCUMENT AND MAY HAVE BEEN ALTERED. © COPYRIGHT 2017 BY NEGLIA ENGINEERING. ALL RIGHTS RESERVED.

CERTIFICATE OF AUTHORIZATION (N.J.S.A. 45:8-56) GA 276890

REVISIONS			DRAWN	DESIGNED	CHECKED
NO.	DATE	DESCRIPTION			



**THOMAS R. SOLFARO, P.E., C.M.E.**  
 PROFESSIONAL ENGINEER  
 N.J. LICENSE NO. 41635

**DAVID R. ATKINSON, P.E., C.M.E.**  
 PROFESSIONAL ENGINEER  
 N.J. LICENSE NO. 45556

*[Signature]*

*[Signature]*

A PROJECT OF  
**NEGLIA ENGINEERING ASSOCIATES**  
 34 PARK AVENUE  
 TEL: 201-939-8805  
 LYNDHURST NEW JERSEY  
 FAX: 201-939-0846  
 E-MAIL: NEA@NEGLIAENGINEERING.COM

**MICHAEL J. NEGLIA, P.E., P.L.S., P.P.**  
 PROFESSIONAL ENGINEER N.J. LICENSE NO. 38604  
 PROFESSIONAL LAND SURVEYOR N.J. LICENSE NO. 38604  
 PROFESSIONAL PLANNER N.J. LICENSE NO. 33L00569800

**DEMOLITION PLAN**  
**RAHWAY RIVER PARK**  
**DIVE TANK DEMOLITION**  
**CITY OF RAHWAY**  
**UNION COUNTY NEW JERSEY**

DESIGNED BY: BRORA  
 FIELD BOOK NO: \_\_\_\_\_

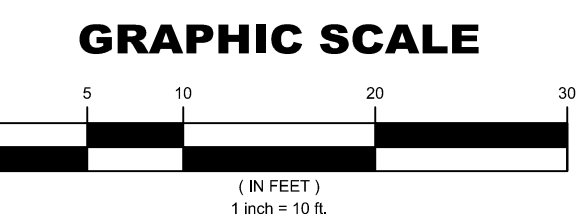
CHECKED BY: DRA  
 SCALE: 1" = 10'  
 PAGE: \_\_\_\_\_

PROJECT NO: UNIOCTY17.010  
 SHEET NO: 3.00  
 DATE: MARCH 31, 2017

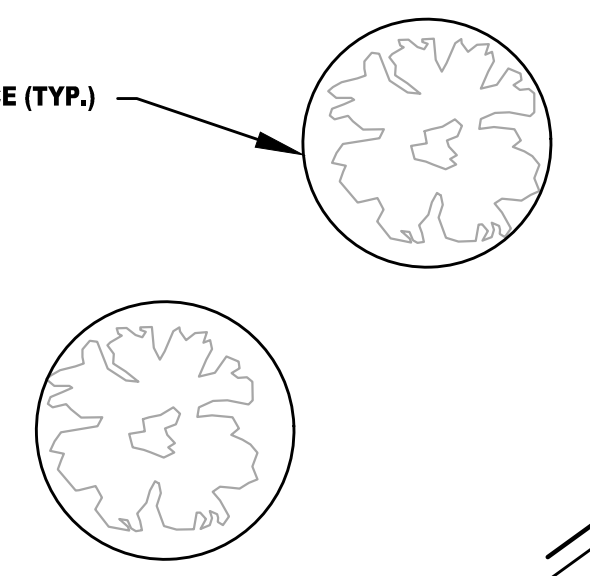
m:\union county\uniocty17.010 (rahway river park dive tank demo plan.dwg) Plotted: Friday, March 31, 2017 12:04:17 PM



TENNIS COURTS



INSTALL TREE PROTECTION DEVICE (TYP.)



LIMIT OF DISTURBANCE TO BE RESTORED W/ TOPSOIL, 6" THICK AND HYDROSEED

LIMIT OF DISTURBANCE AREA = 13,828 S.F. OR 0.3174 AC.

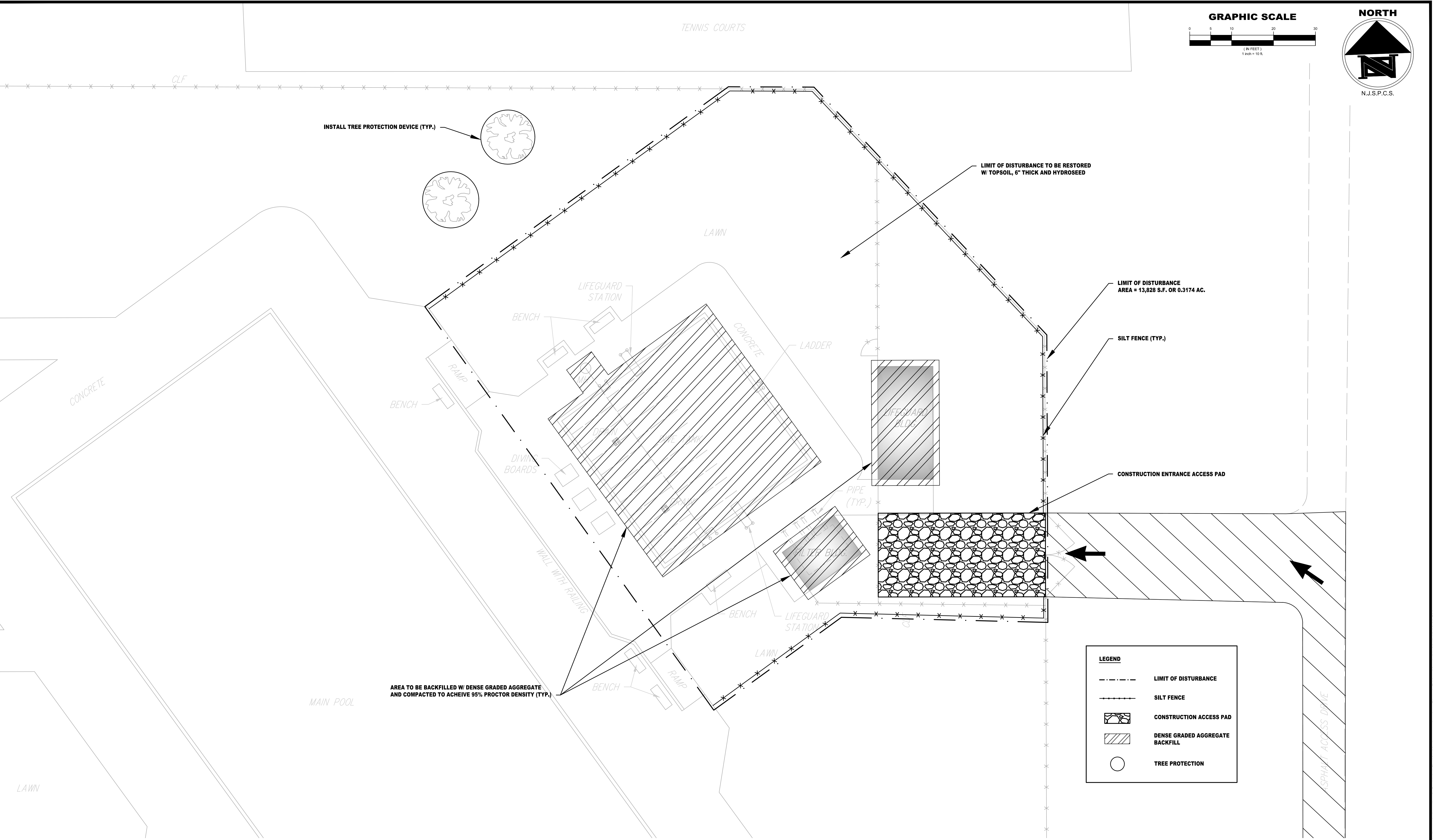
SILT FENCE (TYP.)

CONSTRUCTION ENTRANCE ACCESS PAD

AREA TO BE BACKFILLED W/ DENSE GRADED AGGREGATE AND COMPACTED TO ACHIEVE 95% PROCTOR DENSITY (TYP.)

**LEGEND**

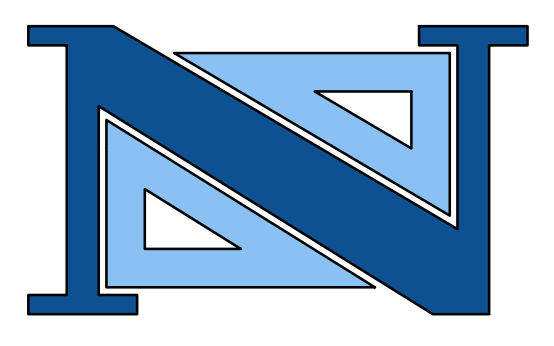
- LIMIT OF DISTURBANCE
- SILT FENCE
- CONSTRUCTION ACCESS PAD
- DENSE GRADED AGGREGATE BACKFILL
- TREE PROTECTION



CAUTION: IF THIS DOCUMENT DOES NOT CONTAIN THE RAISED IMPRESSION SEAL OF THE PROFESSIONAL, IT IS NOT AN AUTHORIZED ORIGINAL DOCUMENT AND MAY HAVE BEEN ALTERED. © COPYRIGHT 2017 BY NEGLIA ENGINEERING. ALL RIGHTS RESERVED.

CERTIFICATE OF AUTHORIZATION (N.J.S.A. 45:8-56) GA 276890

REVISIONS		NO.	DATE	DESCRIPTION	DRAWN	DESIGNED	CHECKED



**THOMAS R. SOLFARO, P.E., C.M.E.**  
PROFESSIONAL ENGINEER  
N.J. LICENSE NO. 41635

**DAVID R. ATKINSON, P.E., C.M.E.**  
PROFESSIONAL ENGINEER  
N.J. LICENSE NO. 45556

A PROJECT OF  
**NEGLIA ENGINEERING ASSOCIATES**  
34 PARK AVENUE  
LYNDHURST, NEW JERSEY  
TEL: 201-939-8805 FAX: 201-939-0846 E-MAIL: NEA@NEGLIAENGINEERING.COM

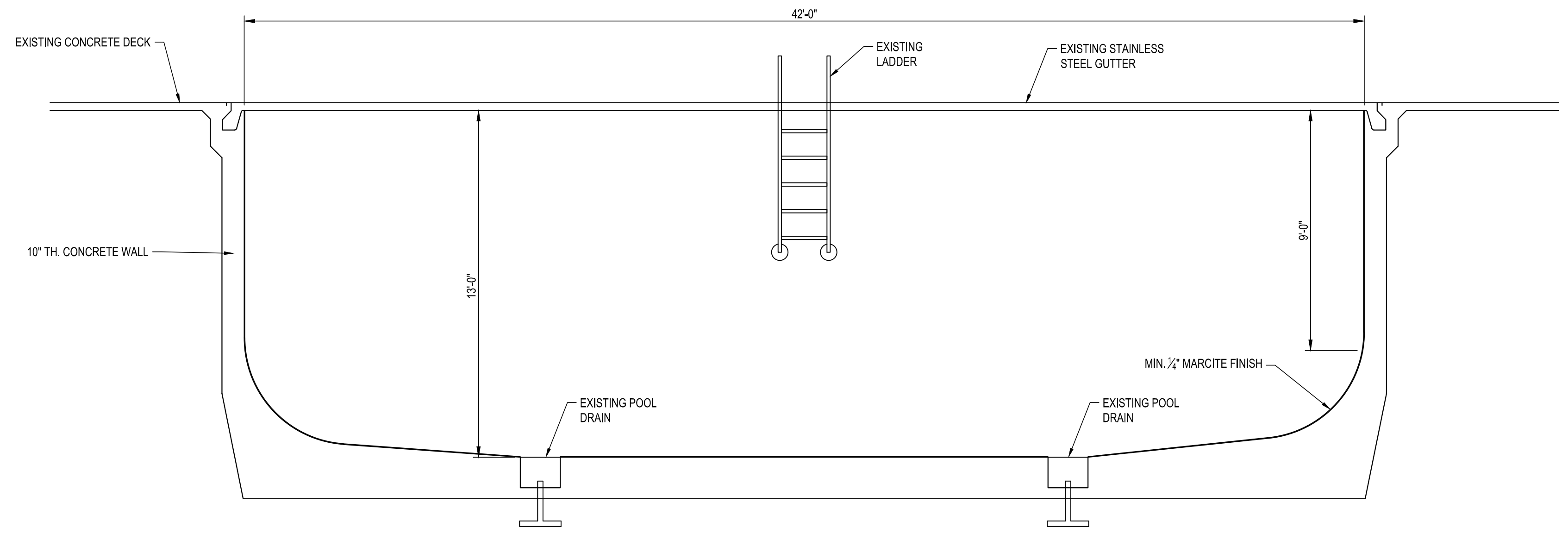
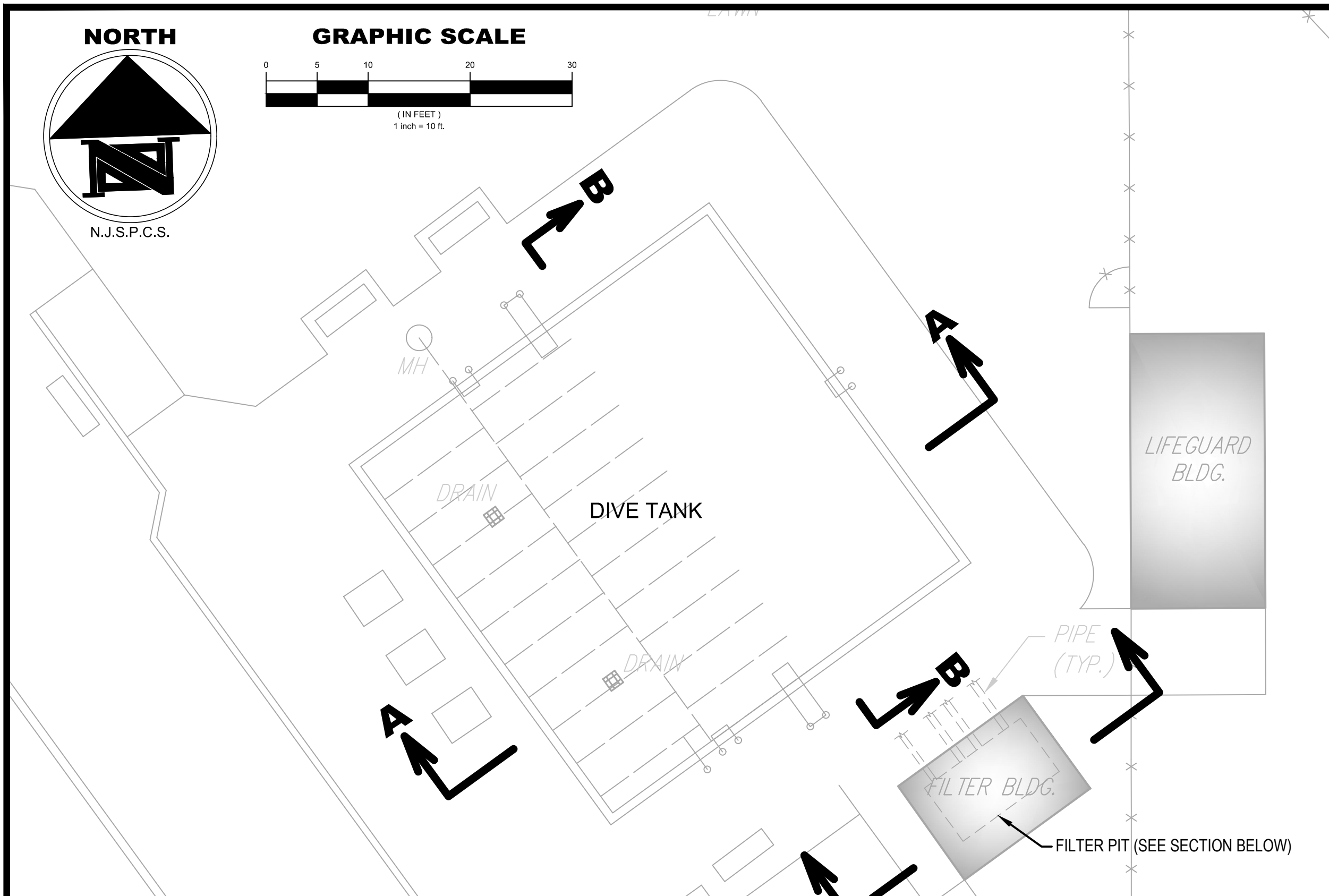
**MICHAEL J. NEGLIA, P.E., P.L.S., P.P.**  
PROFESSIONAL ENGINEER N.J. LICENSE NO. 38604  
PROFESSIONAL LAND SURVEYOR N.J. LICENSE NO. 38604  
PROFESSIONAL PLANNER N.J. LICENSE NO. 33L00569800

**SITE RESTORATION - SOIL EROSION PLAN**  
**RAHWAY RIVER PARK**  
**DIVE TANK DEMOLITION**  
**CITY OF RAHWAY**  
**UNION COUNTY NEW JERSEY**

DRAWN BY: MEW CHECKED BY: DRA PROJECT NO: UNIOCTY17.010 SHEET NO: 4.00  
DESIGNED BY: BRDRA SCALE: 1" = 10' DATE: MARCH 31, 2017  
FIELD BOOK NO: PAGE: DATE: MARCH 31, 2017

union county\uniocty17.010 (rahway river park dive tank demo)\final (pilot file)\04.00 site-eroc plan.dwg Plotted: Friday, March 31, 2017 12:09:39 PM

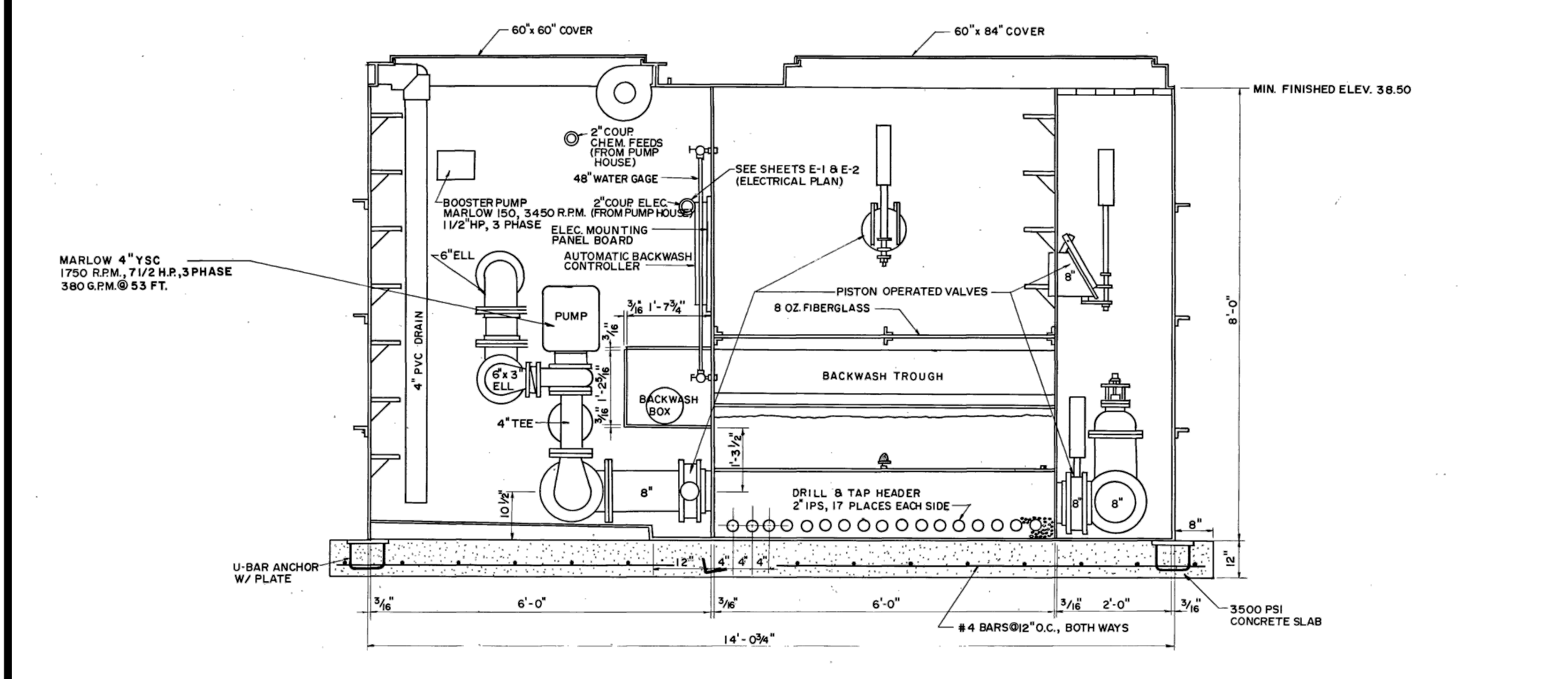




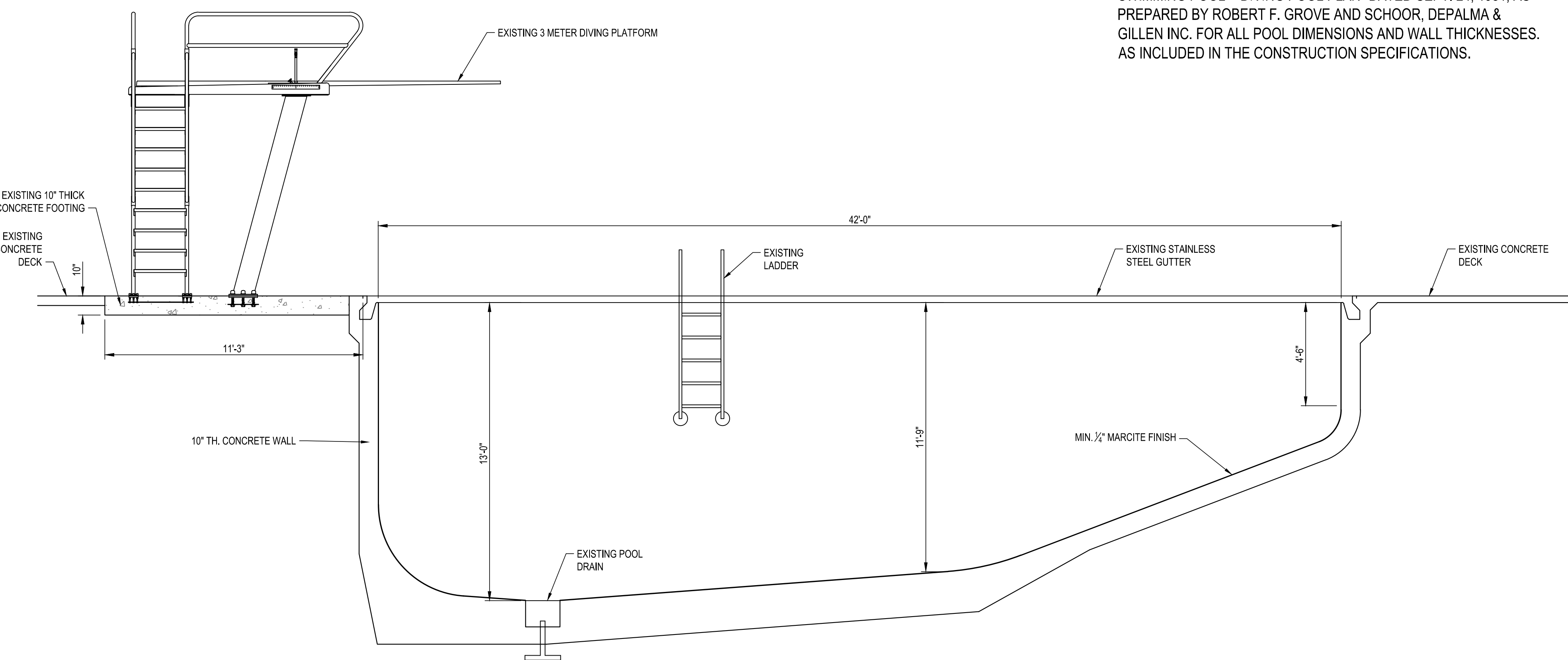
**SECTION LOCATION PLAN**

**DIVE TANK SECTION B-B**

\* NOTE: REFER TO "REHABILITATION OF THE RAHWAY RIVER PARK SWIMMING POOL - DIVING POOL PLAN" DATED SEPT. 24, 1981, AS PREPARED BY ROBERT F. GROVE AND SCHOOR, DEPALMA & GILLEN INC. FOR ALL POOL DIMENSIONS AND WALL THICKNESSES. AS INCLUDED IN THE CONSTRUCTION SPECIFICATIONS.



**SECTION THROUGH FILTER PIT**

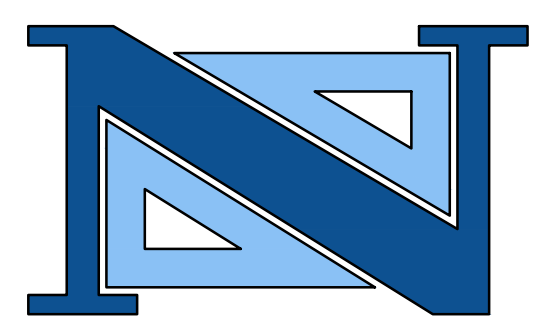


**DIVE TANK SECTION A-A**

CAUTION: IF THIS DOCUMENT DOES NOT CONTAIN THE RAISED IMPRESSION SEAL OF THE PROFESSIONAL, IT IS NOT AN AUTHORIZED ORIGINAL DOCUMENT AND MAY HAVE BEEN ALTERED. © COPYRIGHT 2017 BY NEGLIA ENGINEERING. ALL RIGHTS RESERVED.

CERTIFICATE OF AUTHORIZATION (N.J.S.A. 45:8-56) GA 276890

REVISIONS			DRAWN	DESIGNED	CHECKED
NO.	DATE	DESCRIPTION			



**THOMAS R. SOLFARO, P.E., C.M.E.**  
PROFESSIONAL ENGINEER  
N.J. LICENSE NO. 41635

**DAVID R. ATKINSON, P.E., C.M.E.**  
PROFESSIONAL ENGINEER  
N.J. LICENSE NO. 45556

A PROJECT OF  
**NEGLIA ENGINEERING ASSOCIATES**  
34 PARK AVENUE  
LYNDHURST, NEW JERSEY  
TEL: 201-939-8805 FAX: 201-939-0846 E-MAIL: NEA@NEGLIAENGINEERING.COM

**MICHAEL J. NEGLIA, P.E., P.L.S., P.P.**  
PROFESSIONAL ENGINEER N.J. LICENSE NO. 38604  
PROFESSIONAL LAND SURVEYOR N.J. LICENSE NO. 38604  
PROFESSIONAL PLANNER N.J. LICENSE NO. 33L100569800

**SECTIONS RAHWAY RIVER PARK DIVE TANK DEMOLITION CITY OF RAHWAY UNION COUNTY NEW JERSEY**

UNIOCTY17.010

DATE: MARCH 31, 2017

SHEET NO. 5.00

I:\union county\uniocty17.010 (rahway river park dive tank demo)\load\_final (p01) files\05.00 sections.dwg Plotter: Friday, March 31, 2017 12:18:07 PM



**SOMERSET - UNION COUNTIES SOIL CONSERVATION DISTRICT  
SOIL EROSION AND SEDIMENT CONTROL NOTES**

- ALL SOIL EROSION AND SEDIMENT CONTROL PRACTICES SHALL BE INSTALLED PRIOR TO ANY MAJOR SOIL DISTURBANCES, OR IN THEIR PROPER SEQUENCE AND MAINTAINED UNTIL PERMANENT PROTECTION IS ESTABLISHED.
- ANY DISTURBED AREAS THAT WILL BE LEFT EXPOSED MORE THAN 30 DAYS AND NOT SUBJECT TO CONSTRUCTION TRAFFIC, WILL IMMEDIATELY RECEIVE A TEMPORARY SEEDING. IF THE SEASON PREVENTS THE ESTABLISHMENT OF A TEMPORARY COVER, THE DISTURBED AREAS WILL BE MULCHED WITH STRAW, OR EQUIVALENT MATERIAL, AT A RATE OF TWO (2) TONS PER ACRE, ACCORDING TO NJ STATE STANDARDS.
- PERMANENT VEGETATION SHALL BE SEEDED OR SODDED ON ALL EXPOSED AREAS WITHIN TEN (10) DAYS AFTER FINAL GRADING. MULCH WILL BE USED FOR PROTECTION UNTIL SEEDING IS ESTABLISHED.
- ALL WORK SHALL BE DONE IN ACCORDANCE WITH THE NJ STATE STANDARDS FOR SOIL EROSION AND SEDIMENT CONTROL IN NEW JERSEY.
- A SUB-BASE COURSE WILL BE APPLIED IMMEDIATELY FOLLOWING ROUGH GRADING AND INSTALLATION OF IMPROVEMENTS IN ORDER TO STABILIZE STREETS, ROADS, DRIVEWAYS AND PARKING AREAS. IN AREAS WHERE NO UTILITIES ARE PRESENT, THE SUB-BASE SHALL BE INSTALLED WITHIN 15 DAYS OR PRELIMINARY GRADING.
- IMMEDIATELY FOLLOWING INITIAL DISTURBANCE OR ROUGH GRADING ALL CRITICAL AREAS SUBJECT TO EROSION (I.E.: STEEP SLOPES, ROADWAY EMBANKMENTS) WILL RECEIVE A TEMPORARY SEEDING IN COMBINATION WITH STRAW MULCH OR A SUITABLE EQUIVALENT, AT A RATE OF TWO (2) TONS PER ACRE, ACCORDING TO THE NJ STATE STANDARDS.
- ANY STEEP SLOPES RECEIVING PIPELINE INSTALLATION WILL BE BACKFILLED AND STABILIZED DAILY, AS THE INSTALLATION PROCEEDS (I.E. - SLOPES GREATER THAN 3:1)
- TRAFFIC CONTROL STANDARDS REQUIRE THE INSTALLATION OF A 50"x30"x60" PAD OF 1 1/2" OR 2" STONE, AT ALL CONSTRUCTION DRIVEWAYS, IMMEDIATELY AFTER INITIAL SITE DISTURBANCE.
- THE SOMERSET-UNION SOIL CONSERVATION DISTRICT SHALL BE NOTIFIED IN WRITING 48 HOURS IN ADVANCE OF ANY LAND DISTURBING ACTIVITY.
- AT THE TIME WHEN THE SITE PREPARATION FOR PERMANENT VEGETATIVE STABILIZATION IS GOING TO BE ACCOMPLISHED, ANY SOIL THAT WILL NOT PROVIDE A SUITABLE ENVIRONMENT TO SUPPORT ADEQUATE VEGETATIVE GROUND COVER SHALL BE REMOVED OR TREATED IN SUCH A WAY THAT WILL PERMANENTLY ADJUST THE SOIL CONDITIONS AND RENDER IT SUITABLE FOR VEGETATIVE GROUND COVER. IF THE REMOVAL OR TREATMENT OF THE SOIL WILL NOT PROVIDE SUITABLE CONDITIONS, NON-VEGETATIVE MEANS OF PERMANENT GROUND STABILIZATION WILL HAVE TO BE EMPLOYED.
- IN THAT N.J.S.A. 4-24-39 ET SEQ., REQUIRES THAT NO CERTIFICATE OF OCCUPANCY BE ISSUED BEFORE THE PROVISIONS OF THE CERTIFIED PLAN FOR SOIL EROSION AND SEDIMENT CONTROL HAVE BEEN COMPLIED WITH FOR PERMANENT MEASURES. ALL SITE WORK FOR SITE PLANS AND ALL WORK AROUND INDIVIDUAL LOTS IN SUBDIVISIONS, WILL HAVE TO BE COMPLETED PRIOR TO THE DISTRICT ISSUING A REPORT OF COMPLIANCE FOR THE ISSUANCE OF A CERTIFICATE OF OCCUPANCY BY THE MUNICIPALITY.
- CONDUIT OUTLET PROTECTION MUST BE INSTALLED AT ALL REQUIRED OUTFALLS PRIOR TO THE DRAINAGE SYSTEM BECOMING OPERATIONAL.
- ANY CHANGES TO THE CERTIFIED SOIL EROSION AND SEDIMENT CONTROL PLAN WILL REQUIRE THE SUBMISSION OF REVISED SOIL EROSION AND SEDIMENT CONTROL PLANS TO THE DISTRICT FOR RE-CERTIFICATION. THE REVISED PLANS MUST MEET ALL CURRENT NJ STATE SOIL EROSION & SEDIMENT CONTROL STANDARDS.
- THE SOMERSET-UNION SOIL CONSERVATION DISTRICT SHALL BE NOTIFIED OF ANY CHANGES IN OWNERSHIP.
- MULCHING TO THE NJ STANDARDS IS REQUIRED FOR OBTAINING A CONDITIONAL REPORT OF COMPLIANCE. CONDITIONALS ARE ONLY ISSUED WHEN THE SEASON PROHIBITS SEEDING.
- CONTRACTOR IS RESPONSIBLE FOR KEEPING ALL ADJACENT ROADS CLEAN DURING LIFE OF CONSTRUCTION PROJECT.
- THE DEVELOPER SHALL BE RESPONSIBLE FOR REMEDIATING ANY EROSION OR SEDIMENT PROBLEMS THAT ARISE AS A RESULT OF ONGOING CONSTRUCTION AT THE REQUEST OF THE SOMERSET-UNION SOIL CONSERVATION DISTRICT.
- HYDRO SEEDING IS A TWO-STEP PROCESS. THE FIRST STEP INCLUDES SEED, FERTILIZER, LIME, ETC., ALONG WITH MINIMAL AMOUNTS OF MULCH TO PROMOTE CONSISTENCY, GOOD SEED TO SOIL CONTACT, AND GIVE A VISUAL INDICATION OF COVERAGE. UPON COMPLETION OF SEEDING OPERATION, HYDRO-MULCH SHOULD BE APPLIED AT A RATE OF 1500 LBS. PER ACRE IN SECOND STEP. THE USE OF HYDRO-MULCH, AS OPPOSED TO STRAW, IS LIMITED TO OPTIMUM SEEDING DATES AS LISTED IN THE NJ STANDARDS.

**INLET PROTECTION STANDARDS**

**DEFINITION**

A TEMPORARY BARRIER AND SETTLING FACILITY INSTALLED AT A STORM SEWER INLET.

**PURPOSE**

THE PURPOSE OF STORM SEWER INLET PROTECTION IS TO INTERCEPT AND RETAIN SEDIMENT, THUS PREVENTING THE ENTRANCE OF SEDIMENT INTO THE STORM SEWER SYSTEM.

**CONDITIONS WHERE PRACTICE APPLIES**

- CONTRIBUTING DRAINAGE AREA IS 3 ACRES OR LESS.
- A STORM SEWER OR THE OUTLET CHANNEL OF A STORM SEWER NEEDS PROTECTION FROM SEDIMENT.
- TRAFFIC WILL NOT DESTROY OR CAUSE CONSTANT MAINTENANCE OF THE STORM SEWER INLET PROTECTION.
- A TRAFFIC HAZARD WILL NOT BE CREATED.
- A FLOODING PROBLEM WILL NOT BE CREATED.

**WATER QUALITY ENHANCEMENT**

THE PRIMARY BENEFIT TO WATER QUALITY IS REMOVAL OF SEDIMENT FROM STORMWATER RUNOFF PRIOR TO ENTERING THE STORM SEWER SYSTEM. AS AN ADDED BENEFIT, OTHER FLOATABLE DEBRIS, SUCH AS VEGETATIVE MATTER AND LITTER MAY ALSO BE FILTERED OUT OF THE RUNOFF.

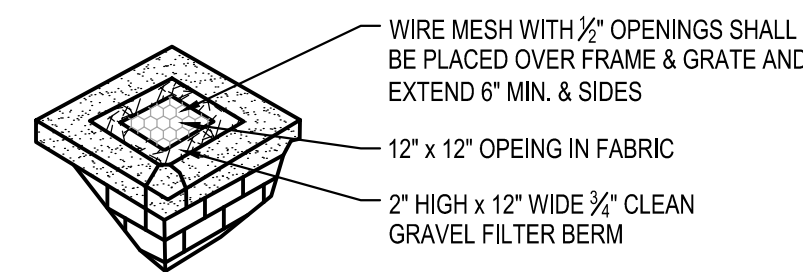
**DESIGN CRITERIA**

THE FOLLOWING APPLIES TO ALL METHODS OF STORM SEWER INLET PROTECTION:

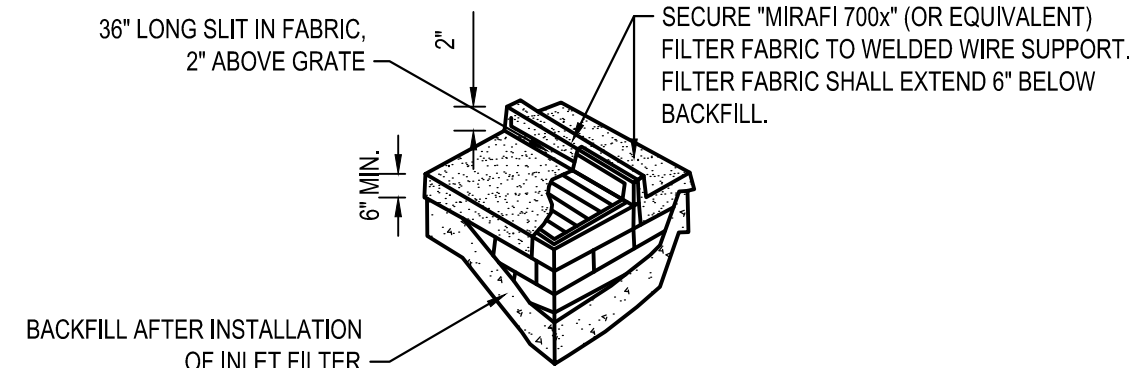
- MUST SLOW THE STORM WATER, PROVIDE THE COARSE SEDIMENT PARTICLES A CHANCE TO SETTLE, AND PROVIDE AN AREA TO RETAIN THE PARTICLES THAT HAVE SETTLED.
- IN ALL CASES, THE INLET PROTECTION SHOULD NOT COMPLETELY CLOSE OFF THE INLET.
- THE PROTECTION DEVICE WILL BE DESIGNED TO CAPTURE OR FILTER RUNOFF FROM THE 1 YEAR, 24 HOUR STORM EVENT AND SHALL SAFELY CONVEY HIGHER FLOWS DIRECTLY INTO THE STORM SEWER SYSTEM.

OTHER METHODS THAT ACCOMPLISH THE PURPOSE OF STORM SEWER INLET PROTECTION MAY BE USED IF APPROVED BY THE SOIL CONSERVATION DISTRICT.

INSPECTIONS SHALL BE FREQUENT, MAINTENANCE, REPAIR, AND REPLACEMENT SHALL BE MADE PROMPTLY, AS NEEDED. THE BARRIER SHALL BE REMOVED WHEN THE AREA DRAINING TOWARD THE INLET HAS BEEN STABILIZED.



**TYPE A & E INLET**



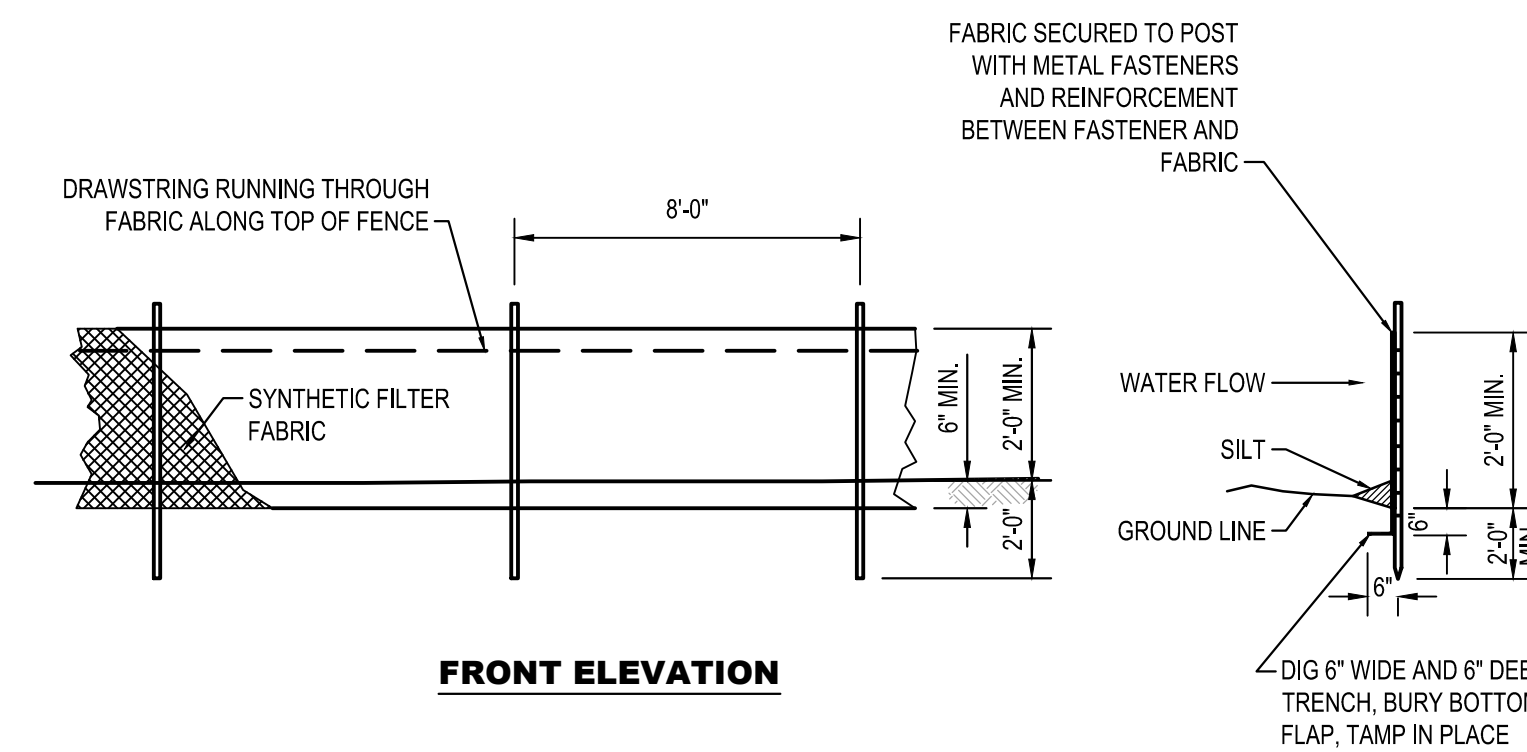
**TYPE B INLET**

**NOTES:**

- CONTRACTOR IS TO INSPECT INLET FILTER AFTER EVERY STORM, AND CLEAN OR REPLACE AS REQUIRED
- CONTRACTOR IS TO REMOVE FABRIC AND MESH JUST PRIOR TO PAVING
- FILTER FABRIC SHALL BE "MIRAFIX 700X" TYPE OR APPROVED EQUAL
- INLET FILTER SHALL FILTER RUNOFF FROM THE 1 YEAR 24 HOUR STORM EVENT AND SHALL SAFELY CONVEY HIGHER FLOWS DIRECTLY INTO STORM SEWER SYSTEM.

**INLET FILTER & PROTECTION**

NOT TO SCALE

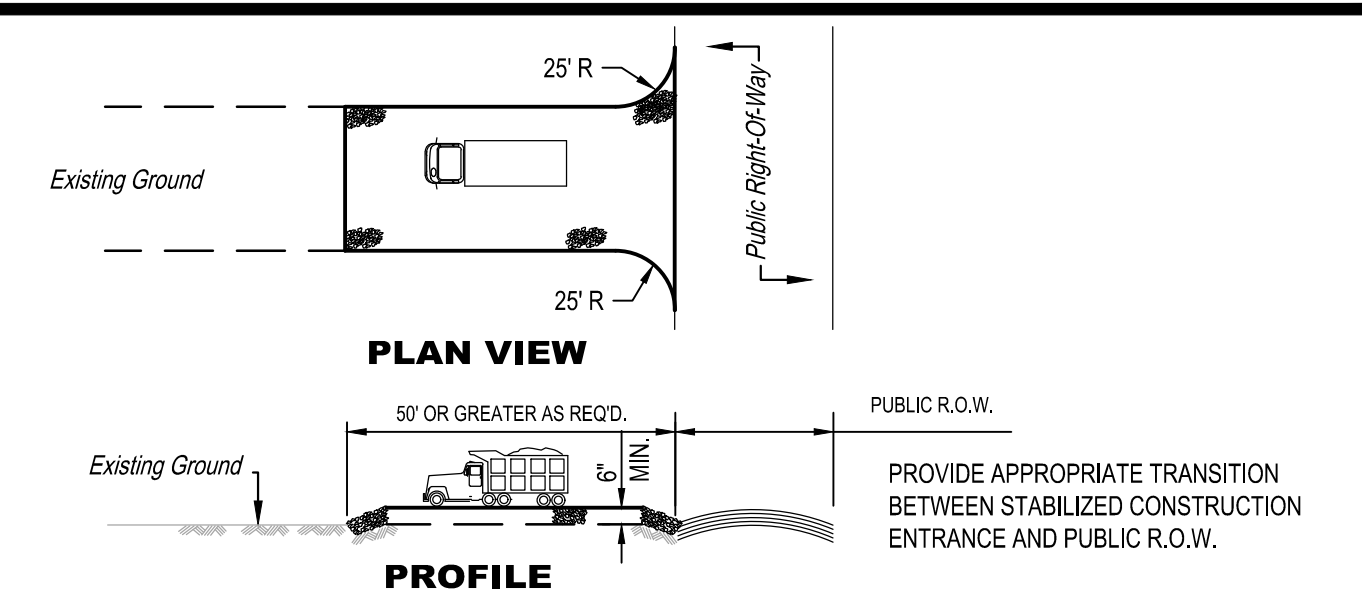


**FRONT ELEVATION**

**SIDE ELEVATION**

**FILTER FENCE DETAIL**

NOT TO SCALE



**PLAN VIEW**

**PROFILE**

**NOTES:**

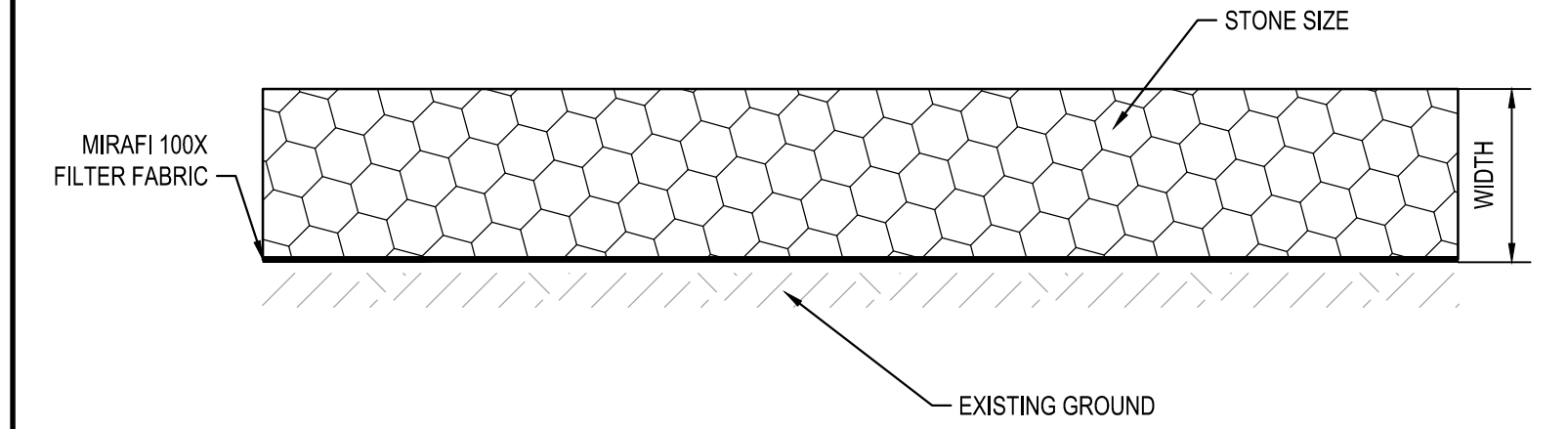
- PLACE STABILIZED CONSTRUCTION ENTRANCE AT LOCATION(S) AS SHOWN ON THE SOIL EROSION AND SEDIMENT CONTROL PLAN.
- STONE SIZE SHALL BE ASTM C-33, SIZE NO 2 OR 3, CRUSHED STONE.
- THE THICKNESS OF THE STABILIZED CONSTRUCTION ENTRANCE SHALL NOT BE LESS THAN 6".
- THE WIDTH AT THE EXIST. PAVEMENT SHALL NOT BE LESS THAN THE FULL WIDTH OF POINTS OF INGRESS AND EGRESS.
- THE STAB. CONST. ENT. SHALL BE MAINTAINED IN A CONDITION WHICH WILL PREVENT TRACKING OR FLOWING OF SEDIMENT ONTO THE R.O.W./PAVEMENT. THIS REQUIRES PERIODIC TOP DRESSING WITH ADDITIONAL STONE OR ADDITIONAL LENGTH AS CONDITIONS DEMAND AND REPAIR AND/OR CLEANOUT OF ANY MEASURE USED TO TRAP SEDIMENT.
- ALL SEDIMENT SPILLED, DROPPED, WASHED, OR TRACKED ONTO THE PUBLIC ROADWAY MUST BE REMOVED IMMEDIATELY.
- APPROPRIATE TRANSITION BETWEEN STAB. CONST. ENT. & PUBLIC R.O.W. MUST BE PROVIDED.
- THE RATIO OF STONE SIZE TO WIDTH MUST BE 9:27.

PERCENT SLOPE OF ROADWAY	LENGTH OF STONE REQUIRED	
	COARSE GRAINED SOILS	FINE GRAINED SOILS
0 TO 2%	50 FT.	100 FT.
2 TO 5%	100 FT.	200 FT.
>5%	ENTIRE SURFACE STABILIZED WITH FAB. BASE COURSE*	

\* AS PRESCRIBED BY LOCAL ORDINANCE OR OTHER GOVERNING AUTHORITY.

**STABILIZED CONSTRUCTION ACCESS**

NOT TO SCALE



**NOTES:**

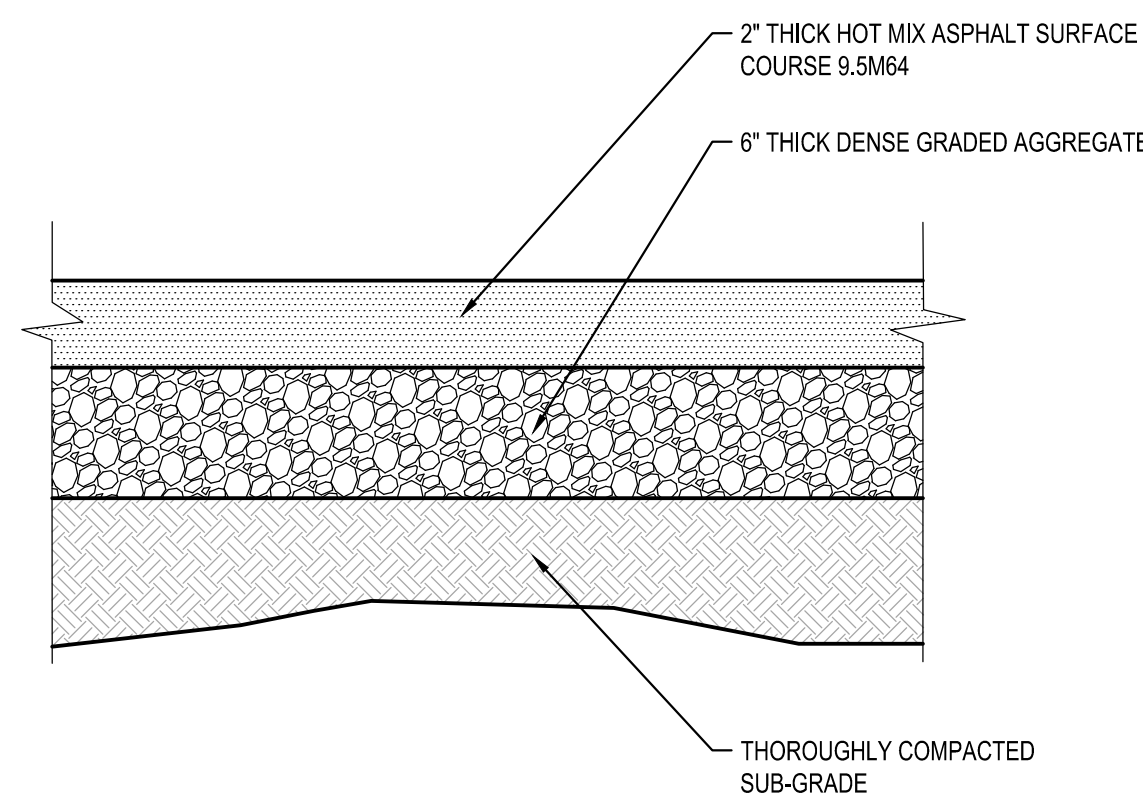
- APPROPRIATE TRANSITION BETWEEN STABILIZED CONSTRUCTION ENTRANCE AND PUBLIC R.O.W. MUST BE PROVIDED.
- THE RATIO OF STONE SIZE TO WIDTH MUST BE 9:27.

**STABILIZED CONSTRUCTION PAD**

NOT TO SCALE

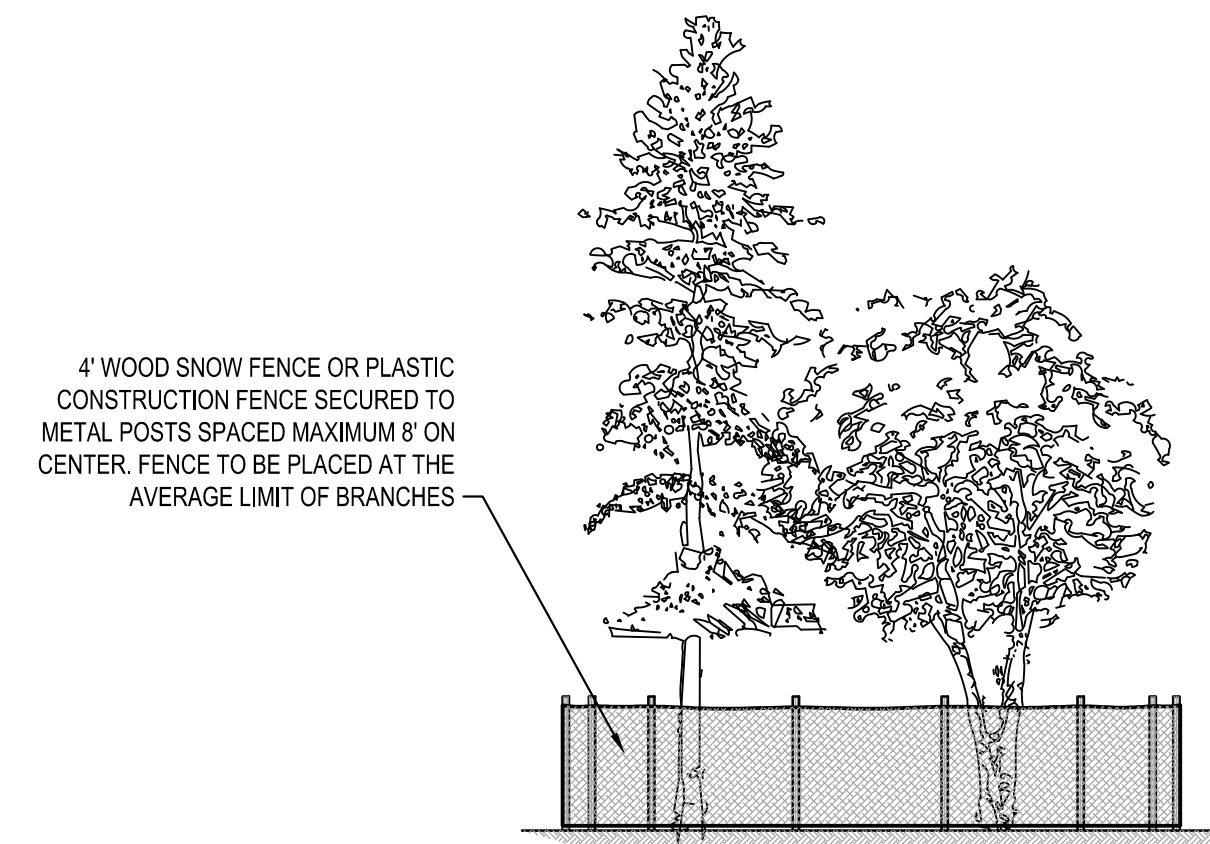
**SEQUENCE OF CONSTRUCTION**

ACTIVITY	APPROXIMATE DURATION, (days)
1. INSTALL CONSTRUCTION ENTRANCE.	0.5
2. INSTALL SEDIMENT CONTROL MEASURES AND TREE PROTECTION.	0.5
3. SITE DEMOLITION AND CLEARING.	10
4. BACKFILL OF EXCAVATED AREAS.	5
5. BEGIN FINAL GRADING.	2
6. TOPSOIL, SEED AND MULCH.	1
7. MILL AND RESURFACE EXISTING PATHWAY (ALTERNATE).	2
8. REMOVE SOIL EROSION MEASURES.	1
TOTAL	22



**HOT MIX ASPHALT PATHWAY**

NOT TO SCALE

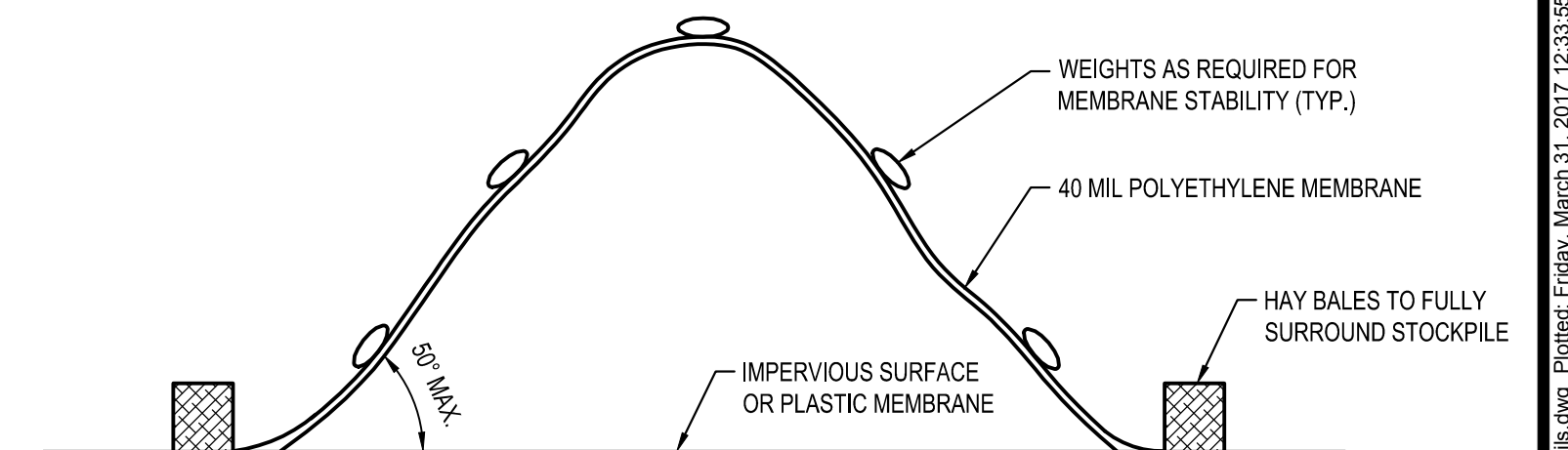


**NOTES:**

- CONSTRUCTION EQUIPMENT OF ANY KIND IS TO BE PROHIBITED FROM DRIVING AND/OR PARKING UNDER TREES. THE STOCKPILE OF CONSTRUCTION MATERIAL SHALL BE PROHIBITED FROM BEING STORED UNDER ANY TREES.

**TREE PROTECTION**

NOT TO SCALE



**NOTES:**

- FOR NON-CONTAMINATED SOIL, SURROUND STOCKPILE WITH SILT FENCE. NO COVER REQUIRED

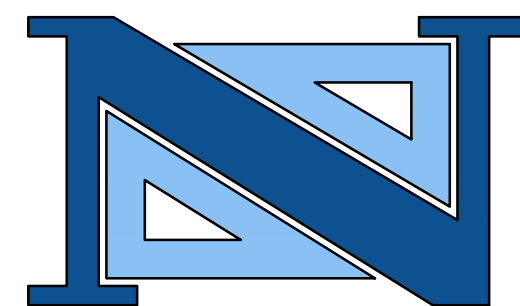
**SOIL STOCKPILE**

NOT TO SCALE

CAUTION: IF THIS DOCUMENT DOES NOT CONTAIN THE RAISED IMPRESSION SEAL OF THE PROFESSIONAL, IT IS NOT AN AUTHORIZED ORIGINAL DOCUMENT AND MAY HAVE BEEN ALTERED. © COPYRIGHT 2017 BY NEGLIA ENGINEERING. ALL RIGHTS RESERVED.

CERTIFICATE OF AUTHORIZATION (N.J.S.A. 45:8-56) GA 276890

NO.		DATE		REVISIONS	DRAWN	DESIGNED	CHECKED
				DESCRIPTION			



**THOMAS R. SOLFARO, P.E., C.M.E.**  
PROFESSIONAL ENGINEER  
N.J. LICENSE NO. 41635

**DAVID R. ATKINSON, P.E., C.M.E.**  
PROFESSIONAL ENGINEER  
N.J. LICENSE NO. 45556

A PROJECT OF  
**NEGLIA ENGINEERING ASSOCIATES**  
34 PARK AVENUE  
TEL: 201-939-8805  
LYNDHURST, NEW JERSEY  
FAX: 201-939-0846  
E-MAIL: NEA@NEGLIAENGINEERING.COM

**MICHAEL J. NEGLIA, P.E., P.L.S., P.P.**

PROFESSIONAL ENGINEER N.J. LICENSE NO. 38604  
PROFESSIONAL LAND SURVEYOR N.J. LICENSE NO. 38604  
PROFESSIONAL PLANNER N.J. LICENSE NO. 33L00569800

**SOIL EROSION & SEDIMENT CONTROL DETAILS**  
**RAHWAY RIVER PARK**  
**DIVE TANK DEMOLITION**  
**CITY OF RAHWAY**  
**UNION COUNTY NEW JERSEY**

DRAWN BY: MEW	CHECKED BY: DRA	PROJECT NO: UNIOCTY17.010	SHEET NO: 6.00
DESIGNED BY: BRORA	SCALE: N.T.S.	DATE: MARCH 31, 2017	
FIELD BOOK NO:	PAGE:		