

**SPECIFICATIONS
FOR
GARDEN SPRINKLER SYSTEM AT CHATFIELD GARDENS
WARINANCO PARK, BOROUGH OF ROSELLE
COUNTY OF UNION, NEW JERSEY
BA NO. 23-2015; UNION COUNTY ENGINEERING PROJECT #2014-019**

APRIL 2015

**UNION COUNTY OFFICIALS
BOARD OF CHOSEN FREEHOLDERS**

Mohamed S. Jalloh, Chairman
Bruce H. Bergen, Vice Chairman
Linda Carter, Freeholder
Angel G. Estrada, Freeholder
Sergio Granados, Freeholder
Christopher Hudak, Freeholder
Bette Jane Kowalski, Freeholder
Alexander Mirabella, Freeholder
Vernell Wright, Freeholder

CLERK OF THE BOARD

James E. Pellettiere

COUNTY MANAGER

Alfred J. Faella

DEPARTMENT OF ECONOMIC DEVELOPMENT

William Reyes, Jr., Deputy County Manager
Director of Economic Development

**COUNTY ENGINEER
DIVISION OF ENGINEERING**

Thomas O. Mineo, P.E.
2325 South Avenue
Scotch Plains, New Jersey 07076
Telephone: (908) 789-3675
Fax: (908) 789-3674

PREPARED BY:

**Harbor Consultants
320 North Avenue East
Cranford, New Jersey 07016**

T: (908) 276-2715

F: (908) 709-1738

**GARDEN SPRINKLER SYSTEM AT CHATFIELD GARDENS
WARINANCO PARK, BOROUGH OF ROSELLE
COUNTY OF UNION, NEW JERSEY**

BA No. 23-2015; Union County Engineering Project No. 2014-019

TABLE OF CONTENTS

Cover Sheet: County Officials
NB-1: Notice to Bidders

GENERAL SPECIFICATIONS INCLUDES PLA REQUIREMENTS

Definitions

Section 1: BID FORM
Section 2: WITHDRAWAL OF BID DUE TO MISTAKE
Section 3: QUALIFICATIONS OF BIDDERS AND REQUIRED SUBMISSIONS
Section 4: INTERPRETATIONS AND ADDENDA
Section 5: OBLIGATION OF BIDDER TO INSPECT SITE AND CONTRACT DOCUMENTS
Section 6: BID AND PERFORMANCE GUARANTEE
Section 7: COMMENCEMENT AND COMPLETION
Section 8: BIDDER AFFIDAVIT
Section 9: CLASSIFICATION AND QUALIFICATION OF BIDDERS
Section 10: UNCOMPLETED CONTRACTS (BUILDING PROJECTS ONLY)
Section 11: BID SECURITY
Section 12: LABOR AND MATERIALS
Section 13: INSURANCE REQUIREMENTS
Section 14: INDEMNIFICATION REQUIREMENTS
Section 15: ROYALTIES AND PATENTS
Section 16: PLANS AND SPECIFICATIONS
Section 17: GUARANTEE AGAINST DEFECTIVE WORK
Section 18: TRAFFIC AND STREET MAINTENANCE
Section 19: CONTRACTOR'S EMPLOYEES
Section 20: OWNERSHIP DISCLOSURES REQUIRED
Section 21: NON-COLLUSION AFFIDAVIT
Section 22: EQUAL EMPLOYMENT OPPORTUNITY COMPLIANCES
Section 23: COMPLIANCE WITH NEW JERSEY PREVAILING WAGE ACT
Section 24: BRAND NAME OR EQUAL
Section 25: LINES AND GRADES
Section 26: NUMBER OF WORKING DAYS
Section 27: PROMPT PAYMENT OF CONSTRUCTION CONTRACTS (NJ Prompt Payment Act)
Section 28: STOPPING WORK ON ACCOUNT OF BAD WEATHER
Section 29: ACCESS FOR OTHER CONTRACTORS
Section 30: CONDEMNED MATERIALS AND WORK
Section 31: STORAGE
Section 32: FINAL CLEAN UP
Section 33: SUB-LETTING OF WORK
Section 34: SAFETY
Section 35: QUALITY, SAFETY AND PERFORMANCE STANDARDS
Section 36: MATTERS NOT MENTIONED IN CONTRACT DOCUMENTS
Section 37: PERMITS
Section 38: CONTRACTOR TO PROVIDE PROOF OF PAYMENT
Section 39: CHANGE ORDERS
Section 40: SUPPLEMENTAL WORK
Section 41: FORM OF CONTRACT
Section 42: PROGRESS PAYMENTS
Section 43: INSPECTION
Section 44: DAMAGES

GENERAL SPECIFICATION CONTINUED:

- Section 45: LIQUIDATED DAMAGES
- Section 46: AFFIRMATIVE ACTION REQUIREMENTS
- Section 47: INVESTMENT ACTIVITIES WITH IRAN
- Section 48: COMPLIANCE WITH THE PUBLIC WORKS CONTRACTOR REGISTRATION ACT
(N.J.S.A. 34:11-56.48 et seq)
- Section 49: UTILITIES
- Section 50: MATERIAL COMPLIANCE AND SHOP DRAWINGS
- Section 51: PRECONSTRUCTION
- Section 52: DISPUTES UNDER THE CONTRACT
- Section 53: RESOLUTION NO. 1148-98 AND 1167-98 ADOPTED ON SEPTEMBER 24, 1998
BY THE BOARD OF CHOSEN FREEHOLDERS
- Section 54: ORDINANCE NO. 557-2002 ADOPTED ON SEPTEMBER 5, 2002
BY THE BOARD OF CHOSEN FREEHOLDERS
- Section 55: CONTRACTOR BUSINESS REGISTRATION CERTIFICATE
(New Mandatory Requirement – Effective 1/18/2010)
- Section 56: PROJECT LABOR AGREEMENT
 - Article 1 – Preamble
 - Article 2 – General Conditions
 - Article 3 – Scope of the Agreement
 - Article 4 – Union Recognition and Employment
 - Article 5 – Union Representation
 - Article 6 – Management’s Rights
 - Article 7 – Work Stoppages and Lockouts
 - Article 8 – Local Administrative Committee (LAC)
 - Article 9 – Grievance & Arbitration Procedure
 - Article 10 – Jurisdictional Disputes
 - Article 11 – Wages and Benefits
 - Article 12 – Hours of Work, Premium Payments, Shifts and Holidays
 - Article 13 – Apprentices
 - Article 14 – Safety Protection of Person and Property
 - Article 15 – No Discrimination
 - Article 16 – General Terms
 - Article 17 – Savings and Separability
 - Article 18 – Future Changes In Schedule “A” Area Contracts
- Section 57: BID PROTEST - LEGAL FEES AND COSTS
- Section 58: AMERICAN GOODS AND PRODUCTS WHERE POSSIBLE
- Section 59: NEW JERSEY PAY-TO-PLAY REQUIREMENTS
- Section 60: STATEMENT OF EQUIPMENT TO BE USED IN CONSTRUCTION
- Section 61: NEW JERSEY SALES AND USE TAX REQUIREMENTS

BIDDING DOCUMENTS

- Bid Document Submission Checklist
- Bidding Documents
- Bid Form
- Consent of Surety
- Bidder Signature Page
- Bidder Disclosure Statement
- Subcontractor Identification Statement: List of Subcontractors
- Subcontractor Identification Certification
- Acknowledgement of Addendum
- Contractor Business Registration Certificate
- Affirmative Action Requirement
- Experience Statement
- Certificate of Bidder Showing Ability to Perform Contract
- Non-Collusion Affidavit
- Contractor Registration Advertisement
- Americans with Disabilities Act
- Statement of Bidder’s Qualifications

BID DOCUMENTS CONTINUED:

Contractor Performance Record
Affidavit Regarding List of Disbarred, Suspended or Disqualified Bidders
Prior Negative Experience Questionnaire-Certification
Contractor's Certification of Compliance - New Jersey Prevailing Wage Act
Uncompleted Contracts Affidavit
Certificate of Insurance Statement
Collection of Use Tax on Sales to Local Governments Statement
Acknowledgement of Project Labor Agreement Requirements
Time of Completion

NEW JERSEY PREVAILING WAGE DETERMINATION DOCUMENTS

SS - STANDARD SPECIFICATIONS SS-1

STANDARD FORM OF AGREEMENT BETWEEN OWNER AND CONTRACTOR AIA DOCUMENT A-101/2007
(Draft form until contract is awarded)

GENERAL CONDITIONS OF THE CONTRACT FOR CONSTRUCTION AIA DOCUMENT A-201/2007
(Draft form until contract is awarded)

PROJECT TECHNICAL SPECIFICATIONS

**COUNTY OF UNION
NOTICE TO BIDDERS**

Sealed bids will be received by the director of the Division of Purchasing, or his designee, at the County of Union, New Jersey on May 7, 2015 at 2:30 p.m., prevailing time, in the 3rd Floor Conference Room, U.C. Administration Building, 10 Elizabethtown Plaza, Elizabeth, New Jersey for:

**INSTALLATION OF GARDEN SPRINKLER SYSTEM
AT CHATFIELD GARDENS
WARINANCO PARK, BOROUGH OF ROSELLE
COUNTY OF UNION, NEW JERSEY
BA#23-2015; UNION COUNTY ENGINEERING PROJECT #2014-019**

Bid Packages may be obtained at no charge by registering and downloading at <http://ucnj.org/bid-specs>. Bid Packages may also be obtained in person from the Division of Engineering at 2325 South Avenue, Scotch Plains, New Jersey 07076 between 8:30 a.m. and 4:00 p.m. weekdays upon payment of a non-refundable money order or bank check in the amount of \$275.00 made payable to the County of Union. No Personal / Company checks will be accepted. Requests for mailing of specifications will not be honored. For further information please call 908-789-3675.

Please note that if the project budget is \$5 Million or more, a signed PROJECT LABOR AGREEMENT shall be required. The form of same shall be provided in the bid package.

The County reserves the right to reject any and all bids and to waive any and all informalities in the bid.

Bids shall be submitted in a sealed envelope and clearly marked with the subject of the bid, name and address of the bidder, phone & fax number, and date of the bid opening. Each bid must be delivered to reach the Division of Purchasing prior to the stated time of the opening of the bids. The County will not be responsible for late delivery by the U.S. Mail or any other carrier. If hand delivered, please note that parking and security access at the County Complex may cause delays and bidders should take them into consideration in order to submit a timely bid. **No** late bids will be accepted.

Bidders are required to comply with the requirements of N.J.S.A. 10:5-31 et seq. and N.J.S.A.C. 17:27.

MICHAEL M. YUSKA – DIRECTOR OF PURCHASING

**UNION COUNTY BOARD
OF CHOSEN FREEHOLDERS**

We're Connected to You!

NB-1

**UNION COUNTY BOARD OF CHOSEN FREEHOLDERS
INSTRUCTIONS TO BIDDERS AND FORMS**

DEFINITIONS

Wherever reference is made to the County, Title of Project, Bidder, or Vendor/Contractor they shall be as follows:

OWNER/COUNTY:

Union County Board of Chosen Freeholders
UC Administration Building, 6th Floor
10 Elizabethtown Plaza
Elizabeth, New Jersey 07207

ADDRESS BIDS AND SUBMIT TO:

Union County Division of Purchasing
UC Administration Building, 3rd Floor
10 Elizabethtown Plaza
Elizabeth, NJ 07207
Attn: Michael Yuska, QPA, Director, Division of Purchasing
Telephone: 908-527-4130
Facsimile: 908-558-2548

**TITLE OF PROJECT: GARDEN SPRINKLER SYSTEM AT CHATFIELD GARDENS
WARINANCO PARK, BOROUGH OF ROSELLE
COUNTY OF UNION, NEW JERSEY
BA#23-2015; UNION COUNTY ENGINEERING PROJECT #2014-019**

BIDDER: Bidder shall be a single overall contract bidder

ARCHITECT/ENGINEER: Harbor Consultants
320 North Avenue, East
Cranford, New Jersey 07016

COUNTY ENGINEER AND/OR CONSTRUCTION MANAGER (as applicable):

COUNTY ENGINEER:

Thomas O. Mineo, P.E.
Union County
Division of Engineering
2325 South Avenue
Scotch Plains, NJ 07076
Office: (908) 789-3675
Facsimile: (908) 789-3674
Email: tmineo@ucnj.org

CONSTRUCTION MANAGER:

GENERAL SPECIFICATIONS

1. BID FORM

Bids for this Work will be enclosed in a sealed envelope addressed to the Purchasing Division, County of Union, New Jersey, Union County Administration Building, 10 Elizabethtown Plaza, Elizabeth, New Jersey 07207, with the full name of the Project clearly marked on the outside. Refer to the sheet marked "Notice of Bid (Advertisement)" for the correct name of the Project. Bidders must submit their bids on the attached pricing sheet (Bid Form), in a sealed envelope addressed to the County and bearing on the outside: the name of the Bidder, Bidder's business address, and the title of the Project.

The Division of Purchasing will receive the bids for this Work at the Union County Administration Building, 10 Elizabethtown Plaza, Elizabeth, New Jersey on the date and time noted on the sheet marked "**Notice of Bid (Advertisement)**".

The County will not assume responsibility for bids forwarded by mail. It is the individual's responsibility to see that the bids are presented to the Purchasing Division at the time and at the place designated.

Bids will be accepted only on the Bid Form supplied. Bids on forms other than the original supplied herein will be rejected. The "complete" Bid Documents includes the Bid Bond, Bid Form, Bidder's Checklist, Consent of Surety, Ownership Disclosure Certification, Non-Collusion Affidavit, and any other documents noted in these Instructions to Bidders or Contract Document to be submitted with this Bid. (See AIA Owner/Contractor Agreement & General Conditions attached.)

The bidder will state in the bidding sheet the price per unit of measure for each scheduled Item of Work for which he will agree to carry out the Work, and the Total Bid Price for the construction of the Project.

The prices in the Bid Form shall be typed or written in pen and ink. Erasures or alterations must be initialed by the bidder in ink.

The bidding sheet for this Project may include a fixed amount as a Bid Allowance. If applicable, all bidders are required to add this fixed amount to their base bid and to include this additional amount in their Bid Bond. This sum will be included in the Contract as well as the performance, labor and materials bond. Payment by the County will be made to the Contractor from these funds only upon the completion of extra Work pursuant to a written Change Order(s) signed by the County's Engineer or his designee and the Contractor, prior to the commencement of such Work. Work commenced prior to written approval by the County shall be done at Contractor's risk. Such payment will only be in the amount agreed to by the parties, in writing in the Change Order(s). See Section 39, Change Orders, of these general specifications for further details.

Refer to Bid Document Submission Checklist for all required documents.

In the event there is a discrepancy between the unit price given and the extended total, the unit price will govern. Any discrepancies will be mathematically adjusted.

Insert applicable alternates, if any have been specified, applicable to the Bidder's Work. All alternates MUST be bid upon. Any Bidder's failure to do so will be deemed a material, non-waivable defect and shall render the bid nonresponsive. The Bidder shall clearly designate whether the change in price is an addition or subtraction, by using either a "+" sign or the word "addition", or in the alternative, a "-" sign or the word "minus". If there is no other change in price, the Bidder shall insert "NC" or "No Charge".

When two or more low bids are equal in all respects, awards will be made according to the provisions of N.J.S.A. 40A:11-6.1(d).

Where unit prices have already been established by the Contract Documents, the Bidder agrees that such unit prices shall prevail. All unit prices, whether filled in by the Bidder or established by the Contract Documents, shall become part of the Contract. No bid will be considered or award made, unless applicable unit prices, as required, are filled in.

The County reserves the right to reject any or all bids and also reserves the right to waive any informality in the bids received so long as said waiver is not of a response which is considered to be material and non-waivable pursuant to law.

The County of Union has the right to reject any and all bids from any bidder that is in, or contemplates bankruptcy of any chapter of nature. Said bidder shall notify the County, in writing, of any condition or knowledge of the same.

Conditional bids will not be accepted. Bids may be withdrawn prior to the advertised time for the opening of bids or authorized postponement thereof or in accordance with the provisions of N.J.S.A. 40A:11-23.3 discussed below. Bids received after the advertised time shall not be considered. Bidders shall be solely responsible for premature opening or late delivery of bids not properly marked, addressed, or directed.

2. WITHDRAWAL OF BID DUE TO MISTAKE

N.J.S.A. 40A:11-23.3 authorizes a bidder to request withdrawal of a public works bid due to a mistake on the part of the bidder. A mistake is defined by N.J.S.A. 40A:11-2(42) as a clerical error that is an **unintentional and substantial computational error or an unintentional omission of a substantial quantity of labor, material, or both, from the final bid computation.**

A bidder claiming a mistake under N.J.S.A. 40A:11-23.3 must submit a request for withdrawal, **in writing**, by certified or registered mail to Michael M. Yuska, QPA, Director, Division of Purchasing, County of Union, New Jersey, Union County Administration Building, 10 Elizabethtown Plaza, Elizabeth, New Jersey 07207. The

bidder must request withdrawal of a bid due to a mistake, as defined by the law, within five business days after the receipt and opening of the bids. Since the bid withdrawal request shall be effective as of the postmark of the certified or registered mailing, Michael M. Yuska, QPA, Director of the Division of Purchasing or his designee may contact all bidders, after bids are opened, to ascertain if any bidders wish to, or already have exercised a request to withdraw their bid pursuant to N.J.S.A. 40A:11-23.3.

A bidder's request to withdraw the bid **shall** contain evidence, including any pertinent documents, demonstrating that a mistake was made. Such documents and relevant written information shall be reviewed and evaluated by the County's designated staff pursuant to the statutory criteria of N.J.S.A. 40A:11-23.3.

The County will not consider any written request for a bid withdrawal for a mistake, as defined by N.J.S.A. 40A:11-2(42), by a bidder in the preparation of a bid proposal unless the postmark of the certified or registered mailing is within the five business days following the opening of bids.

3. QUALIFICATIONS OF BIDDERS AND REQUIRED SUBMISSIONS

The County may make such investigation as it deems necessary to determine the ability of the Bidders to perform the Work, which includes investigation of any and all subcontractors listed with the bid. The Bidder shall furnish any information and data for this purpose as the County may request.

4. INTERPRETATIONS AND ADDENDA

Any explanation desired by a bidder regarding the meaning or interpretation of the Contract Documents must be requested in writing to the County Engineer or Design Professional as the case may be and with reasonable time allowed for a reply to reach bidders before submission of their bids. Any interpretation or instruction made by the County Engineer will be in the form of an addendum to the Contract Documents or clarification and will be furnished to all prospective bidders. Oral explanations or instructions given before the award of the Contract will not be binding. Bidders are required to bring to the attention of the County Engineer, the discovery of any apparent ambiguity, inconsistency, error, discrepancy, omission in the Contract Documents for interpretation and correction at least ten (10) working days before opening of bids with the exception of Saturdays, Sundays and holidays.

All Addenda issued through the Offices of the County Engineer are amendments to the Contract Documents and shall be considered in preparing bids. Same shall become part of the Contract Documents.

Addenda take precedence over all earlier documents and over each other according to the latest date. Addenda unless themselves interpretive remain subject to interpretation the same as any other document incorporated in the Contract.

Addenda may be issued by the County Engineer up to seven (7) working days prior to the opening of bids. Failure of any bidder to receive an addendum shall not relieve such bidder from the obligation imposed by such addendum. Bidders are to keep themselves currently acquainted with the Contract Documents during the entire bidding period and make inquiry on their own initiative as to issuance of any Addenda. Receipts of all Addenda shall be acknowledged on the “*Acknowledgement of Receipt of Changes*” included in the bid package and must be submitted with the bid.

5. OBLIGATION OF BIDDER TO INSPECT SITE AND CONTRACT DOCUMENTS

At the time of the opening of bids, each Bidder will be presumed to have inspected the site(s) and to have read, and be thoroughly familiar with the Contract Documents. The failure or neglect of any Bidder to receive or examine any form, instrument, or document shall in no way relieve any Bidder from any obligation in respect to its bid.

The Bidder shall examine the contents of the Project Manual and the set of Drawings and assure itself that all pages of the Specifications, Drawings, and other Contract Documents are included in the documents obtained for bidding purposes. Should the Specifications, Drawings, and other Contract Documents be incomplete, the Bidder shall notify the County Engineer in writing, who will supply the Bidder with any missing pages of Specifications, Drawings, or other Contract Documents. The lack of such written notification by the Bidder will be construed as evidence that the Specifications, Drawings, or other Contract Documents supplied it for bidding purposes are full and complete and as a waiver of any subsequent claim to the contrary.

6. BID AND PERFORMANCE GUARANTEE

Each bidder must furnish a Bid Bond, Certified Check or Bank Cashier’s Check in the amount of ten percent (10%) of the Bid. Checks shall be drawn to the order of the County of Union, New Jersey, not to exceed \$20,000.

Each bidder must furnish with the bid a certificate from a Surety Company, i.e. Consent of Surety, stating that in the event of the contract being awarded to said bidder, such Surety Company will provide the Contractor with Bonds guaranteeing the faithful performance of the Work in accordance with the plans and specifications, and the payment for labor, materials, and all other indebtedness which may accrue on the account of this Work. A Performance, Labor and Materials bond will be furnished by the Contractor upon an award of Contract, and will be in the amount of 100% of the contract price.

A one-year Maintenance Bond will be required upon acceptance of the Project by the County in the amount as stated in Section 17 of the General Specifications. Bonds will be written by a firm authorized to issue the bonds under the laws of the State of New Jersey and be in a form acceptable to the County Counsel.

N.J.S.A. 40A:11-1.1 et. seq. allows the prime Contractor to furnish the Performance Security for his Subcontractors. The County of Union requires Performance Security to be furnished by the prime contractor for the entire job in the total amount of the contract.

The County of Union shall award the contract or reject all bids within sixty (60) days; except that the bids of any bidders who consent thereto may, at the request of the County be held for consideration for such longer periods as may be agreed.

The County will return all certified checks or cashier's checks after the proposals have been opened, read, tabulated and checked except those of the three (3) bidders who have bid the lowest total price for carrying out the Project. The County will return the checks of these bidders when a contract is awarded to the successful bidder within ten (10) days after the award of the contract.

If the successful bidder refuses or neglects to sign the said Agreement and furnish the required bonds, the Bid Bond will be held and used by the County to offset any damages for such refusal or neglect.

7. COMMENCEMENT AND COMPLETION

Work will not commence until a Notice to Proceed is received from the County Engineer.

Upon substantial completion of the Project, the Contractor must request a joint inspection with the County Engineer. Upon completion of this inspection, the County Engineer will prepare a list of incomplete or incorrect items (punch list) and have Contractor initial and date same. The Contractor shall rectify all deficiencies noted on the punch list within 30 calendar days of receipt of the list. The County Engineer may approve extensions for extenuating circumstances.

8. BIDDER AFFIDAVIT

All Bidders are required to complete, sign, and submit with their Bid, the attached "Affidavit Regarding List of Debarred, Suspended or Disqualified Bidders". (See form enclosed)

9. CLASSIFICATION AND QUALIFICATION OF BIDDERS

Pursuant to Ordinance Number 557-2002 as adopted by the County on September 5, 2002, all bidders on contracts for public works shall be classified and qualified in accordance with NJSA 40A:11-25 as well as NJSA 52:35-1 et. seq. (See Section 52 of the General Specifications)

This provision shall not apply to subcontractors.

10. UNCOMPLETED CONTRACTS (BUILDING PROJECTS ONLY)

The Bidder shall submit a current Classification/Prequalification Certificate and accompanying form(s) indicating the dollar amount of uncompleted contracts, and a notarized and itemized list of these uncompleted contracts in the form provided, with their bid. (See form enclosed)

11. BID SECURITY

All Bidders are required to submit a form of Bid Security with their bids.
(Bid Bond or Certified Funds)

The Bid Security shall be in the amount of ten percent (10%) of the Bid, but not in excess of Twenty Thousand Dollars (\$20,000.00), and payable to the order of the "County of Union."

12. LABOR AND MATERIALS

The prices will cover all costs of any nature incident to and growing out of the Work, including all labor, material, equipment, transportation, loss by damage or destruction of the Project, settlement of damages, and for replacement of defective work or materials. N.J.S.A. 54:32B-1 et seq. exempts all materials sold to the County of Union from sales or use taxes and should not be included in the prices provided on the Bidding Sheet.

13. INSURANCE REQUIREMENTS

The County of Union requires all contractors to be able to comply with the following insurance requirements. In the event a bid is accepted by the County, the contractor must accept the applicable insurance requirements, as set forth below, as part of any contract awarded to it by the County.

Contractor shall carry and maintain at all times while the contract is in full force and effect, the following insurance coverage with an insurance company or companies acceptable to the County, with limits not less than those shown below. A Certificate of Insurance, shall be filed with the County prior to commencement of any Work indicating the following:

- a) Commercial General Liability (CGL): Coverage for all operations including, but not limited to, contractual, products and completed operations, and personal injury with limits no less than \$5,000,000 per occurrence/\$10,000,000 aggregate. The County of Union, its Board of Chosen Freeholders, officers, employees, agents and servants shall be included as an additional insured. Coverage is provided on a primary and on-contributory basis to the County of Union, et al.

- b) Automobile Liability: Coverage for all owned, non-owned and hired vehicles with limits not less than \$5,000,000 per occurrence, combined single limits (CSL) or its equivalent.
- c) Workers Compensation: As required by the State of New Jersey and Employers Liability with limits not less than \$1,000,000 per accident for bodily injury or disease.
- d) Professional Liability (if design/build): Coverage with limits not less than \$1,000,000 per occurrence or claim, \$2,000,000 aggregate
- e) Contractor's Pollution Legal Liability and/or Asbestos Legal Liability and/or Errors & Omissions (if project involves environmental hazards): Coverage with limits no less than \$1,000,000 per occurrence or claim/\$2,000,000 aggregate.
- f) Builders Risk (for major renovations): During the course of construction utilizing an "All Risk" coverage form with limits equal to the completed value of the project and no coinsurance penalty provisions.

Where applicable, a waiver of subrogation in favor of the County of Union, its Board of Chosen Freeholders, officers, employees, agents, servants and the State of New Jersey is to be included in those policies of insurance where permitted by law.

Notice of Cancellation: Each insurance policy required above shall provide that coverage shall not be canceled, except with notice to the Entity.

Special Risks or Circumstances: The County reserves the right to modify these requirements, including limits, based on the nature of the risk, prior experience, insurer, coverage, or other special circumstances.

14. INDEMNIFICATION REQUIREMENTS

The County of Union requires all bidders to accept the following indemnification requirements in the event the County accepts their bid. The Contract awarded by the County to the successful bidder will contain the following provision:

"To the fullest extent permitted by law the Contractor shall indemnify and hold harmless the owner and the owner's consultants, agents, representatives, and employees from and against any and all claims, damages, losses, costs, and expenses, including, but not limited to attorneys' fees, legal costs and legal expenses arising out of or resulting from the performance of the Contractor's work under this contract, provided that such claim, damage, loss, cost, or expense is attributable to bodily injury, sickness, disease or death, or to injury to or destruction of tangible property (other than the work itself) caused or alleged to be caused by the negligent acts, negligent omissions, and/or fault of the Contractor, anyone directly or indirectly employed or retained by the Contractor, or anyone for whose

acts the Contractor may be liable regardless of whether caused in part by the negligent act or omission of a party indemnified hereunder provided it is not caused by the sole negligence of a party indemnified hereunder. Contractor shall further indemnify and hold harmless the County and the County's consultants, agents, representative, and employees from and against any and all claims, damages, losses, costs, and expenses, including, but not limited to attorneys' fees, legal costs and legal expenses, arising out of or resulting from performance of the work, provided that such claim, damage, loss, cost, or expense is attributable to bodily injury, sickness, disease or death, or to injury to or destruction of tangible property (other than the work itself) caused or alleged to be caused by the negligent acts, negligent omissions, and/or fault of the County or the County's consultants, agents, representatives, or employees and arises out of this project and provided such claim, damage, loss, cost, or expense is not caused by the sole negligence of a party indemnified hereunder."

15. ROYALTIES AND PATENTS

The Contractor shall pay all royalties and license fees. He shall defend all suits or claims for infringement of any patent rights and shall hold the County harmless from loss on account thereof.

16. PLANS AND SPECIFICATIONS

In carrying out the Work, the plan(s) and the specifications will be followed by the Contractor. Minor alterations in the plan may be made or permitted by the County Engineer from time to time and, if no additional Work is necessary, there will be no additional charge for carrying out such minor alterations.

The Contractor shall provide the County Engineer a set of reproducible as-built drawings upon completion of the Project. The Contractor shall maintain an updated construction progress plan in the Project field office at all times.

When applicable, The New Jersey Department of Transportation Standard Specifications for Road and Bridge Construction, as amended, and Supplemental Specifications for State Aid Projects, herein after referred to as the "Standard Specifications", are made a part of these specifications and contract for the improvements, and will govern the construction of this Project, the material used and the execution of this Project, except as revised and modified herein. The references to these specifications are given herein for the purpose of aiding in the rapid location of the description of the various items herein specified. The entire Work must be carried on and completed to the satisfaction of the County. The Standard Specifications are amended as follows:

"Any reference to the Commissioner, Department, Department Laboratory, Engineer or Inspector should be redefined to be the County of Union".

17. GUARANTEE AGAINST DEFECTIVE WORK

Prior to final payment being made or before the release of the performance security required by Section 3 above, the Contractor and Surety shall execute and deliver to the County an original Maintenance Bond with an original signature and seal having a penal sum equal to:

- A) One hundred percent (100%) of the final adjusted Contract amount, if such amount is \$50,000.00 or less;
- B) Fifty percent (50%) of the final adjusted Contract amount, if such amount be greater than \$50,000.00 but less than \$250,000.00; and,
- C) Twenty-five percent (25%) of the final adjusted contract amount, if such amount is \$250,000.00 or more.

The Bond and Surety shall be satisfactory to the Union County Counsel. The Surety shall hold a Certificate of Authorization to do business in the State of New Jersey and shall conform to P.L. 1995 c.384, codified as N.J.S.A. 2A:44-143, 144. The Surety Disclosure Statement and Certification required by N.J.S.A. 2A: 44-143, 144, shall be attached to the Bond. Such Maintenance Bond shall remain in full force and effect for a period of one (1) year from the date of Final Completion. Such Maintenance Bond shall also provide that the Contractor and the Surety guarantee to replace for the said period of one (1) year from the date of Final Completion, all Work performed and/or all materials furnished that were not performed or were not furnished in accordance to the terms and performance requirements of the Contract Documents, and will make good any defects thereof which become apparent before the expiration of one (1) year. If, during that period, any part of the Project, in the judgment of the Engineer, is found defective, the Contractor will repair or replace same within five (5) days of receipt of notice from the County Engineer. If the Contractor refuses or neglects to do such Work in the time specified, the County Engineer may have the Work done by others and the Contractor or his Surety thereof will pay the cost.

The Contractor will furnish the County a Maintenance Bond for a percentage of the final adjusted contract price, as stated above. The one (1) year period will start the day of Final Completion of Project by the County. Final payment is conditional on the receipt of a maintenance bond in a form acceptable to County Counsel.

18. TRAFFIC AND STREET MAINTENANCE

The Work must be started and performed by the Contractor in such a manner as to minimize delays to the traveling public. It must be completed in a timely fashion, with little or no inconvenience to traffic and pedestrians, where such inconvenience may be avoided.

All municipal, county, and state roadways shall remain open to traffic unless otherwise provided for in the technical specifications.

If modified traffic patterns are authorized in order to provide a safe working or traveling environment, the Contractor is responsible for providing all equipment, barrels, cones, signs, and barricades to implement the work zone and detours, unless otherwise specified in the technical specifications. All work zones and detours shall be established in accordance with the technical plans and specifications if provided or in strict compliance with the current version of the Manual for Uniform Traffic Control Devices (MUTCD). The Contractor shall obtain approval for these work zones and detour plans from the Municipal Police or applicable police agency and the Union County Bureau of Traffic Maintenance prior to implementation.

All traffic control plans shall provide for safe movement of vehicular, bicycle, and pedestrian traffic. Particular attention shall be given to requirements of the Americans with Disabilities Act.

No portion of any street or alleyway may be used for the storage of any materials or equipment without the approval of the Municipal Police or other applicable police agency. Sidewalks, gutters, drains, fire hydrants and private drives shall be maintained for their intended use unless specifically approved by the County Engineer.

Upon suspension of Work, at the end of the day or for protracted periods, the Contractor shall remove all rubbish and materials from the Work site to the approved storage/staging location. All road cuts, saw cuts, and trenches that may pose hazard to vehicular, pedestrian, or bicycle traffic, to include handicapped users, shall be filled to the surface of the roadway or sidewalk. At no time will steel plates or settled trenches be allowed at the daily suspension of Work, unless specifically approved by the County Engineer.

Use of Traffic Control Officers shall be determined by the County in accordance with the provisions of N.J.S.A. 40A:11-23.1(c). If applicable to the Project, the County shall have provided an allowance for same as set forth in the Bid Form.

With respect to pedestrian traffic, the Contractor shall install signs restricting access of the general public and, as necessary, Union County employees to the area of construction. The Contractor shall provide safe access to required areas and place physical barriers to restricted areas. These barriers may range from caution tape to actual barriers, at the direction of the County Engineer.

19. CONTRACTOR'S EMPLOYEES

The Contractor must employ only suitable and competent labor in the Work, and must remove from the Work any incompetent, unsuitable, or disorderly person upon complaint from the County Engineer.

The parties to any contract resulting from this proposal do hereby agree that the provisions of N.J.S.A. 10:2-1 through 10:2-4 (discrimination in employment on public works

contracts): 34:11-56.25 et seq. (payment of prevailing rate of wages determined pursuant to N.J.S.A. 34:11-56.30 by the Commissioner), and the Rules and Regulations promulgated pursuant thereto, are hereby made a part of any contract and are binding upon them.

There will be no discrimination against any employee who is employed in the Work to be covered by any contract resulting from this bid because of age, race, creed, color, national origin, ancestry, marital status or sex.

Any person, firm, or corporation violating the provisions of this Section will be deemed and judged a disorderly person.

20. OWNERSHIP DISCLOSURES REQUIRED

Pursuant to P.L. 1977, N.J.S.A. 52:25-24.2, the Bidder shall submit with its Bid, or prior to receipt of bids, a statement setting forth the names and addresses of all stockholders in the corporation or partnership bidding who own ten percent (10%) or greater interest therein. (See forms attached)

21. NON-COLLUSION AFFIDAVIT

The Bidder shall submit with its bid either the attached completed "Non-Collusion Affidavit" or a statement of non-collusion with verbiage similar to same.

22. EQUAL EMPLOYMENT OPPORTUNITY COMPLIANCES

The successful bidder shall be required to complete and submit an Initial Project Workforce Report, New Jersey Department of Treasury Form AA-201, upon notification of award. Failure to submit this completed form may result in the Contract being terminated.

The successful bidder shall also be required to submit a copy of its Monthly Project Workforce Report, New Jersey Department of Treasury Form AA-202, to the New Jersey Department of Treasury's Division of Public Contracts Equal Employment Opportunity Compliance and to the Board.

23. COMPLIANCE WITH NEW JERSEY PREVAILING WAGE ACT

The County of Union, in order to fulfill the requirements of N.J.S.A. 34:11-56a.25 et seq, requires that the following additional conditions be strictly followed. The bidders represent that he is not listed or is not on record in the Office of the Commissioner or the Department of Labor and Industry as one who failed to pay prevailing wages in accordance with the provisions of this Act. The bidder agrees to the inclusion of a contract provision upon award which specifically requires said Contractor to fully comply with each and all of the requirements of the aforesaid Act as it relates to prevailing rates of wages on public

contracts as set forth in the New Jersey Prevailing Wage Act, P.L. 1963, Chapter 150 and P.L. 1974, Chapter 64.

A Copy of the Prevailing Wage Rates is attached for your reference. Applicable rates are those wages and fringe benefit rates in effect on the date the contract is awarded. All predetermined rate increases listed at the time the contract award must also be paid, beginning on the dates specified. Rates may change between the time of issuance of this determination and the award of the public works contract. Therefore, prior to the award of the contract, verification must be made with the Public Contracts section, to insure that the rates contained in this determination are still prevailing.

The Contractor agrees to abide and be bound by each and all of the said statutory provisions with respect to the payment of prevailing rates of wages, and acknowledges that the County reserves the right to terminate the Contractor's (or his subcontractors') right to proceed with the scope of Work, or such portion thereof that relates to the failure to pay prevailing rates of wages. In such event or under the terms of N.J.S.A. 34:11-56.27, the Contractor and his surety will be liable to the County of Union for any excess costs occasioned by such a violation.

The Contractor or subcontractors for this Project will post the Prevailing Wage Rates for each craft and classification involved as determined by the Commissioner of Labor and Industry, including the effective date of any changes thereof, in prominent and easily accessible places at the site of the Work or at such place or places as are used by them to pay workmen their wages.

The County of Union requires a copy of payroll records from the Contractor and subcontractors. Payroll records shall be submitted with each voucher request for payment. Prevailing wage rates may be obtained from the New Jersey Labor, Division of Workplace Standards, Public Contracts Section, (609-292-2259).

In addition to compliance with the New Jersey Prevailing Wage Act, the County requires compliance with procedures established by Resolutions No. 1148-98 and 1167-98 adopted by the Board of Chosen Freeholders on September 24, 1998. The resolutions are furnished in Section 38 of these General Specifications.

UNION LABOR IS PREFERRED ON ALL COUNTY WORK AND, WHERE NOTED, SUBJECT TO A PROJECT LABOR AGREEMENT TO BE EXECUTED BY THE CONTRACTOR AND CONSTRUCTION MANAGER PRIOR TO COMMENCEMENT OF THE WORK. FAILURE OF ANY CONTRACTOR TO COMPLY WITH THIS PROVISION CONSTITUTES A DEFAULT, RESULTING IN IMMEDIATE STOPPAGE OF THE WORK. ANY LOSSES OR OTHER DAMAGES INCURRED BY OTHER PARTIES AS A RESULT OF SAID DEFAULT SHALL BE THE SOLE RESPONSIBILITY OF THE CONTRACTOR.

(See Section 55)

The foregoing reference to specific laws will not be deemed to be a limitation of obligation of the Contractor to perform his obligations in full compliance with the provisions

and requirements of all federal and state statues and local ordinances applicable to the Work to be done under the contract.

It is agreed and understood that any contracts and/or orders placed as a result of this proposal will be governed and construed and the rights and obligations of the parties hereto will be determined in accordance with the laws of the State of New Jersey.

Upon completion of the Work, the Contractor will furnish a Certification of Compliance with the New Jersey Prevailing Wage Act. The certificate in a form acceptable to County Counsel is a condition of the final payment. (See form attached)

24. BRAND NAME OR EQUAL

When the Specifications, Forms, and other Contract Documents use “brand name or equivalent” or similar language, the listed brand name shall serve as a reference or point of comparison for the functional or operational characteristic desired for the goods or services being requested. Where a bidder attempts to submit an equivalent product for a brand name, it shall be the responsibility of the bidder to fully describe and document the product to be provided with the bid in order to establish the equivalence claim.

- A. If the Bidder proposes to offer substitute goods as an equal to those specified herein, the bidder shall so indicate with the Bid Proposal. For the purposes of this paragraph, a proposed item shall be considered equal to goods specified herein if:
 - 1. The County, in its sole discretion, determines that: (i) the goods conform substantially, even with deviations, to the brand name goods specified herein; (ii) the goods are equal to or greater than the brand name goods specified herein in terms of quality, durability, functionality, appearance, strength and design; (iii) the goods are capable, at least as well as the brand name goods specified herein, or performing with existing equipment; and (iv) the goods do not cost the County more than the brand name goods specified herein costs the County.

- B. To offer substitute goods as an equal to those specified herein, it is necessary that:
 - 1. The Bidder submits sufficient information with its bid to permit the County to determine that the goods are equivalent to the brand name goods specified herein, including, but not necessarily limited to the brand, catalog number and specifications/data sheets;

2. The Bidder fully identifies and describes the variations of the goods from the brand name goods specified herein on a separate sheet that is to be submitted with the bid proposal. Bidder's literature WILL NOT suffice in explaining exceptions to these specifications.
 3. The Bidder certifies that the goods (i) are similar in substance to the brand name goods specified, and (ii) are suited to the same use as the item specified;
- C. The County shall be allowed a reasonable time within which to evaluate the Bidder's proposal to offer substitute goods as an equal to those specified herein. The County shall be the sole judge of acceptability. No "or-equal" goods shall be ordered, delivered, assembled, set-up or utilized until the County's evaluation is complete. The County's determination as to equivalency shall be deemed final and absolute.

In the event the Bidder does not provide sufficient supporting documentation with the bid, it will be presumed and required that the brand name goods and services as described in the specifications will be provided.

25. LINES AND GRADES

Normally, horizontal and vertical control points will be provided in the technical specifications. All other surveying will be the responsibility of the Contractor unless otherwise noted.

26. NUMBER OF WORKING DAYS

In accordance with NJSA 40A:11-17, the Work for the within Project shall be completed as specified on the Time of Completion Form. See form attached.

There shall be taken a deduction from the contract price, or any wages paid by the County, to any inspector(s) necessarily employed by it on the Work, for any number of days in excess of the number allowed in the specifications.

27. PROMPT PAYMENT OF CONSTRUCTION CONTRACTS (NJ Prompt Payment Act)

Pursuant to NJSA 2A:30A-1 et. seq., payment to the Contractor, other than for Work done pursuant to a contact allowance, where applicable, shall be processed and paid as follows:

1. All contractor bills shall be either approved for payment, or notice provided as to why the bill or any portion of it will not be approved by the representative(s) of the governing body no later than the public meeting following 20 calendar days of the billing date as defined in the statute.
2. If the billing is approved, said bill shall be paid in the payment cycle following the meeting.

28. STOPPING WORK ON ACCOUNT OF BAD WEATHER

Work must only be performed in weather suitable for the type of construction planned or underway. Extremes in temperature, humidity, precipitation, evaporation, etc. can detrimentally affect the constructed product. Refer to the Standard and Technical Specifications for specific items.

29. ACCESS FOR OTHER CONTRACTORS

The Contractor for this Work will give proper access to other contractors who may be employed upon the Project and must not hinder or delay unnecessarily any Work that may be progressing under other contracts.

30. CONDEMNED MATERIALS AND WORK

Any materials and or part of the Work that may be condemned by the County Engineer will be removed and replaced by the Contractor or otherwise rectified, as may be directed by the County Engineer. No payment will be made upon the Work until such faulty work has been made good as may be directed. In the event the Contractor refuses or neglects to make good such faulty work, he will be deemed to have abandoned the contract and proceedings may be taken against him as provided herein.

31. STORAGE

In the event that it is necessary for the Contractor to stockpile or store materials or equipment on the job site, the Contractor shall inform the County of such necessity and the County may offer available space, if any, for storage of such materials or equipment. The Contractor shall use said space only for such purpose. Any and all materials which may be stored in such space or which may be brought onto the job site at any time by the Contractor will be at the Contractor's sole risk. The County will not be responsible for loss of or damage to said materials or equipment for any cause whatsoever. The Contractor shall take necessary measures to protect any such storage area and shall be responsible for any and all damages.

32. FINAL CLEAN UP

Upon completion of the Work, the Contractor will remove all equipment, unused materials, rubbish, etc., and will repair, or replace in a manner acceptable to the County Engineer, all areas that may have been damaged in the prosecution of the Work. Same shall be a condition precedent to final payment. Should said Contractor fail to comply with this requirement, the County shall undertake the clean-up with its own forces and charge the cost of same against the Contractor's contract balance.

33. SUB-LETTING OF WORK

Except for the List of Subcontractors, pursuant to NJSA 40A:11-16 (See form attached), no portion of the Work will be sublet by the Contractor to any other entities, except with the consent of the County Engineer. A complete list of subcontractors must be submitted to the County Engineer at the preconstruction meeting. If the job does not warrant a preconstruction meeting, the Contractor must submit such list prior to the start of Work.

All Subcontractors will be subject to NJSA 34:11-56 et al.

N.J.S.A. 40A:11-16 requires the bidder to list in the bid sheets the name or names of all subcontractors involved in the following types of Work: plumbing and gas fitting and all kindred work, steam and hot water heating, ventilating apparatus, steam power plants and kindred work, electrical work, ornamental iron work, and structural steel. In addition, the County may require the identification of specific additional subcontractors. If these trades are expected to be part of the contract, such subcontractors should be listed on the "Subcontractor Identification Statement List of Subcontractors" and Bidder shall certify same on the accompanying sheet titled "Subcontractor Identification Certification". (See forms attached) **Bidder's failure to submit these two forms shall be considered a material defect and result in rejection of Bidder's bid.** Substitutions of any listed subcontractors pursuant to NJSA 40A:11-16 will not be permitted except with the consent of the County Engineer.

34. SAFETY

The Contractor shall observe all rules and regulations of the Federal, State, and local health officials. Attention is directed to Federal, State, and local laws, rules, and regulations concerning construction safety and health standards. The Contractor shall not require any worker to work in surroundings or under conditions that are unsanitary, hazardous, or dangerous to the worker's health or safety.

The Contractor shall admit to the site, without delay and without the presentation of an inspection warrant, any inspector of OSHA or other legally responsible agency involved in safety and health administration upon presentation of proper credentials.

The Contractor shall make available to the Contractor's employees, subcontractors, the County Engineer, and the public, all information pursuant to OSHA 29 CFR Part 1926.59 of The Hazard Communication Standard 29 CFR 1910.1200, and shall also maintain a file on each job site containing all Material Safety Data Sheets (MSDS) for products in use at the Project. These Material Safety Data Sheets shall be made available to the Engineer upon request.

The Contractor shall at all times conduct the Work to provide for the safety and convenience of the general public and protection of persons and property. The safety provisions of applicable laws, OSHA regulations, building and construction codes, and the rules and regulations of the New Jersey Department of Labor and Commerce shall be observed.

35. QUALITY, SAFETY AND PERFORMANCE STANDARDS

All goods and services must be constructed and provided with the highest quality materials and workmanship. It is the intent of these specifications that only equipment equal to, or exceeding, the standard specified will be acceptable in order to protect the safety of the occupants of the Building.

36. MATTERS NOT MENTIONED IN CONTRACT DOCUMENTS

Any Work, material, or method, not specifically described in these specifications, but shown upon the plans of the Work, will be carried out as shown on said plan.

37. PERMITS

The Contractor will obtain all necessary permits required by law and provide the County with necessary approvals prior to commencement of permitted Work.

38. CONTRACTOR TO PROVIDE PROOF OF PAYMENT

Upon the completion of the Work, the Contractor will furnish a General Release as proof that all claims for labor, materials, etc., have been settled by the Contractor. The General Release, in a form acceptable to County Counsel, is a condition of final payment.

39. CHANGE ORDERS

Change Order Procedures shall comply with *N.J.A.C. 5:30-11.1 et seq.*, "Change Orders and Open End Contracts" and subsequent provisions of the New Jersey Administrative Code.

40. SUPPLEMENTAL WORK

In case any supplemental work is necessary, it will be performed by the Contractor at a price fixed by agreement between the Contractor and the County Engineer and approved by the County as specified in Section 38. The Contractor will do no

supplemental work on any character, for which the Contractor will demand pay, except upon the written order of the County.

41. FORM OF CONTRACT

Contracts will be let on the attached Form of Agreement Between County (“Owner”) and Contractor (AIA 101), and General Conditions (AIA 201), as supplemented.

The Contract will be subject to all statutory provisions on the matter of Public Works, Public Contracts, The Law Against Discrimination, the Laws Governing Affirmative Action and Prevailing Rates of Wages under the laws of New Jersey.

The Agreements shall be executed by both parties not later than twenty-one (21) days from the date of the award by the County (Sundays and holidays excluded); however, such time frame may be extended by agreement of the parties.

42. PROGRESS PAYMENTS

Monthly progress payments will be made based on the value of labor and materials incorporated in the Work and of materials suitably stored at the site. An itemized schedule of values shall be submitted with each Application for Payment.

(Refer to the Owner/Contractor Agreement for Retainage and other conditions pertaining to payment and the application of NJSA 2A:30A-1 et. seq.)

All Applications for Payment shall be accompanied by paid invoices for materials incorporated in the Work and for materials suitably stored at the site, and affidavit(s) by Subcontractors whose Work was included in the next to the last application to the effect such Work and such materials have been paid for.

No payment shall be made without Contractor having provided all submittals set forth in this Section, and the approval of same by the County.

For contracts exceeding \$100,000.00, monthly payments will be made on the Work to the extent of 98% of the value of the Work done which is considered to be retainage.

For contracts less than \$100,000.00, monthly payments will be on the Work to the extent of 90% of the value of the Work done. In lieu of the retainage, the Contractor will, at his option, deposit with the County Counsel negotiable bearer bonds of the State of New Jersey or any political subdivision thereof, equal to the amount otherwise withheld as retainage.

When the Project is completed, the final cost of the Project will be based on actual quantities of authorized Work done under each item scheduled in the bidding sheet and

approved Change Orders, if any. The money due to the Contractor as determined by said final certificate after deduction of previous monthly payments on account, will be paid to the Contractor in accordance with the terms of the contract dealing with Prompt Payment, providing, however that before such final payment is made, all outstanding claims against the Contractor must be satisfied. Before final payment is released, the Contractor must furnish: **a)** Maintenance Bond (see Section 17 of these general specifications); **b)** Certification of Compliance, New Jersey Prevailing Wage Act (see Sections 23& 51); and **c)** General Release (see Section 38) in a form satisfactory to County Counsel; **d)** complete set of as-built plans in the latest AutoCad on compact disc; and **e)** a complete set of in-progress photos in jpg, jpeg, or bmp digital format on a compact disc.

43. INSPECTION

The Work must be done in accordance with the plans and specifications, and will be inspected by the County Engineer. An inspector may be placed upon the Work at any time by the County Engineer to see that the plans, specifications, and instructions of the County Engineer are carried out. In connection herewith, bidders are referred to N.J.S.A. 40A:11-17.

44. DAMAGES

The Contractor will be held responsible for all damages that may occur to Work, or to persons or property by reason of the nature of the Work or from the elements, or by reason of inadequate protection of the Work, or from any carelessness or negligence on his part or on the part of his employees. The County will withhold payments on the Work until all suits or claims for damages sustained on, or by reason of, this Work will have been settled by the Contractor.

The construction and final completion of this Work will be guaranteed by the Contractor. Any damages that may be done to the Work or any part thereof, by the elements or otherwise, during its construction, will be made good by the Contractor.

45. LIQUIDATED DAMAGES

If the Project is not completed within the time specified herein or within such further time as may have been granted by the County Engineer, then the Contractor hereby agrees to pay to the County as liquidated damages, but not as a penalty, \$1,000.00 per day for each and every calendar day that he is in default on time to complete the Work. The said sum will be deducted from moneys due the Contractor and if the damages exceed this amount, then the Contractor or his Surety Company will pay the excess. These damages may be waived at the option of the County.

46. AFFIRMATIVE ACTION REQUIREMENTS

EXHIBIT B (Revised 4/10)

MANDATORY EQUAL EMPLOYMENT OPPORTUNITY LANGUAGE N.J.S.A. 10:5-31 et seq. (P.L. 1975, C. 127) N.J.A.C. 17:27

CONSTRUCTION CONTRACTS

During the performance of this contract, the contractor agrees as follows:

The contractor or subcontractor, where applicable, will not discriminate against any employee or applicant for employment because of age, race, creed, color, national origin, ancestry, marital status, affectional or sexual orientation, gender identity or expression, disability, nationality or sex. Except with respect to affectional or sexual orientation and gender identity or expression, the contractor will ensure that equal employment opportunity is afforded to such applicants in recruitment and employment, and that employees are treated during employment, without regard to their age, race, creed, color, national origin, ancestry, marital status, affectional or sexual orientation, gender identity or expression, disability, nationality or sex. Such equal employment opportunity shall include, but not be limited to the following: employment, up-grading, demotion, or transfer; recruitment or recruitment advertising; layoff or termination; rates of pay or other forms of compensation; and selection for training, including apprenticeship. The contractor agrees to post in conspicuous places, available to employees and applicants for employment, notices to be provided by the Public Agency Compliance Officer setting forth provisions of this nondiscrimination clause.

The contractor or subcontractor, where applicable will, in all solicitations or advertisements for employees placed by or on behalf of the contractor, state that all qualified applicants will receive consideration for employment without regard to age, race, creed, color, national origin, ancestry, marital status, affectional or sexual orientation, gender identity or expression, disability, nationality or sex.

The contractor or subcontractor will send to each labor union, with which it has a collective bargaining agreement, a notice, to be provided by the agency contracting officer, advising the labor union or workers' representative of the contractor's commitments under this act and shall post copies of the notice in conspicuous places available to employees and applicants for employment.

The contractor or subcontractor, where applicable, agrees to comply with any regulations promulgated by the Treasurer, pursuant to N.J.S.A. 10:5-31 et seq., as amended and supplemented from time to time and the Americans with Disabilities Act.

When hiring or scheduling workers in each construction trade, the contractor or subcontractor agrees to make good faith efforts to employ minority and women workers in each construction trade consistent with the targeted employment goal prescribed by N.J.A.C. 17:27-7.2; provided, however, that the Division may, in its discretion, exempt a contractor or subcontractor from compliance with the good faith procedures prescribed by the following provisions, A, B and C, as long as the Division is satisfied that the contractor or subcontractor is employing workers provided by a union which provides evidence, in accordance with standards prescribed by the Division, that its percentage of

active "card carrying" members who are minority and women workers is equal to or greater than the targeted employment goal established in accordance with N.J.A.C. 17:27-7.2. The contractor or subcontractor agrees that a good faith effort shall include compliance with the following procedures:

(A) If the contractor or subcontractor has a referral agreement or arrangement with a union for a construction trade, the contractor or subcontractor shall, within three business days of the contract award, seek assurances from the union that it will cooperate with the contractor or subcontractor as it fulfills its affirmative action obligations under this contract and in accordance with the rules promulgated by the Treasurer pursuant to N.J.S.A. 10:5-31 et. seq., as supplemented and amended from time to time and the Americans with Disabilities Act. If the contractor or subcontractor is unable to obtain said assurances from the construction trade union at least five business days prior to the commencement of construction work, the contractor or subcontractor agrees to afford equal employment opportunities minority and women workers directly, consistent with this chapter. If the contractor's or subcontractor's prior experience with a construction trade union, regardless of whether the union has provided said assurances, indicates a significant possibility that the trade union will not refer sufficient minority and women workers consistent with affording equal employment opportunities as specified in this chapter, the contractor or subcontractor agrees to be prepared to provide such opportunities to minority and women workers directly, consistent with this chapter, by complying with the hiring or scheduling procedures prescribed under (B) below; and the contractor or subcontractor further agrees to take said action immediately if it determines that the union is not referring minority and women workers consistent with the equal employment opportunity goals set forth in this chapter.

(B) If good faith efforts to meet targeted employment goals have not or cannot be met for each construction trade by adhering to the procedures of (A) above, or if the contractor does not have a referral agreement or arrangement with a union for a construction trade, the contractor or subcontractor agrees to take the following actions:

(1) To notify the public agency compliance officer, the Division, and minority and women referral organizations listed by the Division pursuant to N.J.A.C. 17:27-5.3, of its workforce needs, and request referral of minority and women workers;

(2) To notify any minority and women workers who have been listed with it as awaiting available vacancies;

(3) Prior to commencement of work, to request that the local construction trade union refer minority and women workers to fill job openings, provided the contractor or subcontractor has a referral agreement or arrangement with a union for the construction trade;

(4) To leave standing requests for additional referral to minority and women workers with the local construction trade union, provided the contractor or subcontractor has a referral agreement or arrangement with a union for the construction trade, the State Training and Employment Service and other approved referral sources in the area;

(5) If it is necessary to lay off some of the workers in a given trade on the construction site, layoffs shall be conducted in compliance with the equal employment opportunity and non-discrimination standards set forth in this regulation, as well as with applicable Federal and State court decisions;

(6) To adhere to the following procedure when minority and women workers apply or are referred to the contractor or subcontractor:

(i) The contractor or subcontractor shall interview the referred minority or women worker.

(ii) If said individuals have never previously received any document or certification signifying a level of qualification lower than that required in order to perform the work of the construction trade, the contractor or subcontractor shall in good faith determine the qualifications of such individuals. The contractor or subcontractor shall hire or schedule those individuals who satisfy appropriate qualification standards in conformity with the equal employment opportunity and non-discrimination principles set forth in this chapter. However, a contractor or subcontractor shall determine that the individual at least possesses the requisite skills, and experience recognized by a union, apprentice program or a referral agency, provided the referral agency is acceptable to the Division. If necessary, the contractor or subcontractor shall hire or schedule minority and women workers who qualify as trainees pursuant to these rules. All of the requirements, however, are limited by the provisions of (C) below.

(iii) The name of any interested women or minority individual shall be maintained on a waiting list, and shall be considered for employment as described in (i) above, whenever vacancies occur. At the request of the Division, the contractor or subcontractor shall provide evidence of its good faith efforts to employ women and minorities from the list to fill vacancies.

(iv) If, for any reason, said contractor or subcontractor determines that a minority individual or a woman is not qualified or if the individual qualifies as an advanced trainee or apprentice, the contractor or subcontractor shall inform the individual in writing of the reasons for the determination, maintain a copy of the determination in its files, and send a copy to the public agency compliance officer and to the Division.

(7) To keep a complete and accurate record of all requests made for the referral of workers in any trade covered by the contract, on forms made available by the Division and submitted promptly to the Division upon request.

(C) The contractor or subcontractor agrees that nothing contained in (B) above shall preclude the contractor or subcontractor from complying with the union hiring hall or apprenticeship policies in any applicable collective bargaining agreement or union hiring hall arrangement, and, where required by custom or agreement, it shall send journeymen and trainees to the union for referral, or to the apprenticeship program for admission, pursuant to such agreement or arrangement. However, where the practices of a union or apprenticeship program will result in the exclusion of minorities and women or the failure to refer minorities and women consistent with the targeted county employment goal, the contractor or subcontractor shall consider for employment persons referred pursuant to (B) above without regard to such agreement or arrangement; provided further, however, that the contractor or subcontractor shall not be required to employ women and minority advanced trainees and trainees in numbers which result in the employment of advanced trainees and trainees as a percentage of the total workforce for the construction trade, which percentage significantly exceeds the apprentice to journey worker ratio specified in the applicable collective bargaining agreement, or in the absence of a collective bargaining agreement, exceeds the ratio established by practice in the area for said construction trade. Also, the contractor or subcontractor agrees that, in implementing the procedures of (B) above, it shall, where applicable, employ minority and women workers residing within the geographical jurisdiction of the union.

After notification of award, but prior to signing a construction contract, the contractor shall submit to the public agency compliance officer and the Division an initial project workforce report (Form AA

201) electronically provided to the public agency by the Division, through its website, for distribution to and completion by the contractor, in accordance with N.J.A.C. 17:27-7. The contractor also agrees to submit a copy of the Monthly Project Workforce Report once a month thereafter for the duration of this contract to the Division and to the public agency compliance officer.

The contractor agrees to cooperate with the public agency in the payment of budgeted funds, as is necessary, for on-the-job and/or off-the-job programs for outreach and training of minorities and women.

(D) The contractor and its subcontractors shall furnish such reports or other documents to the Division of Public Contracts Equal Employment Opportunity Compliance as may be requested by the Division from time to time in order to carry out the purposes of these regulations, and public agencies shall furnish such information as may be requested by the Division of Public Contracts Equal Employment Opportunity Compliance for conducting a compliance investigation pursuant to **Subchapter 10 of the Administrative Code (NJAC 17:27)**.

[REMAINDER OF PAGE INTENTIONALLY LEFT BLANK]

47. INVESTMENT ACTIVITIES WITH IRAN

Pursuant to P.L. 2012, c.25, codified as NJSA 52:32-55 *et seq.*, prohibits State and local public contracts with persons or entities engaging in certain investment activities in energy or finance sectors of Iran.

48. COMPLIANCE WITH THE PUBLIC WORKS CONTRACTOR REGISTRATION ACT - (NJSA 34:11-56.48 *et. seq.*)

Pursuant to the above-referenced law, Bidders are required to be registered with the New Jersey Department of Labor and to possess a current certificate by said Department indicating compliance with the Act prior to the time and date that bids are received. Bidders are notified of this requirement of their compliance. Such certificates or applications shall also be provided for each Subcontractor furnishing plumbing and gas fitting, steam and hot water heating and ventilating apparatus, and all kindred work, steam power plants and kindred work, electrical work, structural steel and ornamental iron work, and such other subcontractors as the specifications require relative to prior identification.

49. UTILITIES

Attention of the bidder is directed to the fact that the approximate locations of known utility structures and facilities that may be encountered within and adjacent to the limits of the Work are shown on the plans and described herein. The accuracy and completeness of this information is not guaranteed by the County Engineer and the bidder is advised to ascertain for himself all the facts concerning the location of these and other utilities.

The Contractor will not proceed with his Work until he has made diligent inquiries of all public utility and municipal officials to determine the exact location of all-underground structures and pipes within the site of the Project. The Contractor will notify utility owners not less than ten (10) days in advance of the time he proposes to perform any Work that will endanger or affect their facilities in compliance with **New Jersey One-Call**. In excavating in any part of the Work, care must be taken not to remove or damage any gas, water, sewer, or other pipe, conduit, or structure, - public or private - without the concurrence of the owner and the County Engineer. The Contractor will, at his own expense, shore up, secure and maintain a continuous flow in such structures, and will keep them in repair until final acceptance of the Work.

When pipes or other structures are encountered or when the removal, relocation or protection of these utilities are necessary in carrying out the Project as planned, the Contractor will cooperate with the owner of said utilities and will permit the owners or their agents access to the site of the Work in order to relocate or protect their facilities and not hinder or delay unnecessarily the Work of the owners in moving same. No extra allowance of payment will be made to the Contractor for the use of any materials, equipment, etc., or for the performance of any Work in connection with the moving of said structures unless

the Contractor is specifically ordered by the County Engineer to furnish such materials, equipment, or services. If directed by the County Engineer to do any Work or furnish any materials or equipment, payment will be allowed the Contractor in accordance with the unit prices bid for such Work, or, if such items are not scheduled in the proposal, such Work shall be allowed "Supplemental Work" as provided in Section 39 of these general specifications. The corporations, companies, agencies or municipalities owning or controlling the utilities, and the name, and telephone numbers are listed in the beginning of the Technical Specifications.

50. MATERIAL COMPLIANCE AND SHOP DRAWINGS

The Contractor will require the manufacturer or supplier to furnish three (3) copies of Certification of Compliance with each delivery of materials, components and manufactured items for the Project. Two (2) copies will be furnished to the County Engineer; one copy will be retained by the Contractor. Certificates of Compliance will contain the following information:

1. Project to which material is consigned;
2. Name of the Contractor to which the material is supplied;
3. Kind of material supplied;
4. Quantity of material represented by the Certificate;
5. Means of identifying the consignment, such as label marking, seal number, etc.;
6. Date and method of shipment;
7. That the material is in conformity with the pertinent specifications stated in the certificate; and
8. Signature of a person having legal authority to bind the supplier.

The Contractor will submit to the County Engineer for his approval five (5) copies of complete and fully detailed shop or working drawings for those items listed in the beginning of the technical specifications.

Each drawing will identify the name of the job, location and Contractor.

All drawings will be approved in accordance with the standard specifications. Refer to the Technical Specifications for specific items.

All materials or articles used in the Work will be of American manufacture, insofar as same are available, in conformance with N.J.S.A. 40A:11-18.

51. PRECONSTRUCTION

In order to provide full coordination of this Project among the parties concerned, the County Engineer will arrange for a preconstruction meeting between the Contractor, County Engineer and other interested parties as soon as possible after the contract is

executed. At this meeting the Contractor will present his proposed schedule of Work which shall be subject to review and approval of the County through its designated representatives.

52. DISPUTES UNDER THE CONTRACT

A dispute arising under the Contract shall be submitted in writing to the County Engineer with all facts and supporting data. The County Engineer will review the dispute and issue his decision or request additional facts or documentation after which he will render his decision.

In the event the dispute is not then resolved, the matter shall, pursuant to law, be submitted to mediation before being submitted to a court of competent jurisdiction venued in Union County.

The County Engineer will notify the County Counsel when a matter is to be submitted to mediation. The County Counsel will communicate with the parties and inform them of the procedures to be followed in making such a submission.

[REMAINDER OF PAGE INTENTIONALLY LEFT BLANK]

**53. RESOLUTION NO. 1148-98 AND 1167-98 ADOPTED ON
SEPTEMBER 24, 1998 BY THE BOARD OF CHOSEN
FREEHOLDERS**

In addition to compliance with the New Jersey Prevailing Wage Act, the Contractor shall comply with the requirement as set forth in Resolutions No. 1148-98 and 1167-98 adopted on September 24, 1998 by the Union County Board of Chosen Freeholders.

**UNION COUNTY BOARD OF CHOSEN FREEHOLDERS RESOLUTION NO. 1148-98
DATED: 9/24/98**

WHEREAS, the Public Contract Law of New Jersey that all contractors and subcontractors pay to the workforce on such projects the prevailing wage rates; and

WHEREAS, it has come to the attention of the Board of Chosen Freeholders that workmen have not at all times received such wages; and

WHEREAS, while the Board of Chosen Freeholders is aware that the State of New Jersey is the actual enforcing arm for such requirements, the Board desires to itself on behalf of such workers put in place a procedure which will further protect the rights of the workers to the payment of accurate and fair wages:

NOW, THEREFORE, BE IT RESOLVED, by the Board of Chosen Freeholders of the County of Union; hereby declares that henceforth, as a matter of POLICY;

- (1) The bidder and all contractors and subcontractors on any project for the County of Union must comply with the Prevailing Wage Law of the State of New Jersey, N.J.S.A. 34:11-56.25 et seq., and its regulations, N.J.A.C. 12:60-1 et seq.
- (2) As per N.J.S.A. 34:11-56.29 the County shall have the right to inspect the books and records of every contractor and subcontractor showing the name, craft or trade, and actual hourly rate of wages paid to each worker employed by the contractor in connection with a public work. Further the County shall have the right to demand such proof as necessary to verify said records.
- (3) All contractors shall post the prevailing wage rates for each craft and classification involved in prominent and easily accessible places at the site of the work.
- (4) All public works specifications and contracts shall include a clause that requires all contractors and subcontractors to submit properly executed Worker Notification Acknowledgment forms to the County. These forms will be supplied by the County to all approved contractors and subcontractors; a copy of such form is attached as Appendix A. These forms will provide proof that all workers have been made aware of their rights to receive the prevailing wage for the particular craft or trade for which they are employed.
- (5) This resolution shall apply to any projects bid after the passage of this Resolution and shall not apply to any project already under construction or for which bid specifications have been issued.

EMPLOYEE NOTIFICATION ACKNOWLEDGMENT FORM*

Pursuant to N.J.S.A 34:11-56.25 *et seq.* as well as N.J.A.C. 12:60 *et seq.*, the Contractor,

_____, has informed me that I will be employed as a
(Name of Contractor)

_____, on the public project designated as, _____.
(Employee's Job Title) (Project Name)

I further acknowledge that my compensation for this job will be _____, plus (+) the
Fringe Benefits (\$ per hour)

_____ for a Total Prevailing Wage of _____. This total is pursuant to the
(\$ per hour) (\$ per hour)
Prevailing Wage for Construction Trades in Union County.

DATE: _____

(Print Name)

(Sign Name)

Employer Certification

I hereby certify as to the accuracy of the above information.

DATE: _____

(Name of Company Officer)

(Signature of Company Officer)

*This acknowledgment form is a public record that will be kept to determine compliance with N.J.S.A. 34:11-56.25 *et seq.* Falsification of a public record is a crime. Union County reserves the right to prosecute violators of the Prevailing Wage Act to the fullest extent possible, including, but not limited to, fraud upon a public agency, theft of services, theft of deception, and misrepresentation of public records.

White Copy = Labor Compliance Officer
Pink = Employee

Yellow = Contractor

UNION COUNTY BOARD OF CHOSEN FREEHOLDERS RESOLUTION NO. 1167-98

DATED: 9/24/98

WHEREAS, the County of Union finds that it is essential to the public safety that any and all public works be performed by competent and trained employees of responsible contracts and subcontractors; and

WHEREAS, the State of New Jersey has recognized and provided for training of employees through Apprenticeship Programs licensed by the State of New Jersey; and

WHEREAS, the County of Union has the right and responsibility to determine that all contractors and subcontractors who perform public work be qualified according to consistent and uniformly applied standards; and

WHEREAS, it is important that the County of Union use a contractor and/or subcontractor who acts with responsibility in complying with applicable wage laws:

NOW, THEREFORE, BE IT RESOLVED, that all applicable regulations, bid specifications and rules of the County of Union shall state that:

- (1) The bidder and all contractors and subcontractors on any project for the County of Union must comply with the Prevailing Wage Law of the State of New Jersey, N.J.S.A. 34:11-56.25 et seq., and its regulations, N.J.A.C. 12:60-1, et seq. Employer contributions for employee benefits pursuant to a then existing bona fide collective bargaining agreement shall be considered an integral part of the wage rate paid by employers of any craft or trade in Union County for the purpose of determining the prevailing wage.
- (2) As per N.J.S.A. 34:11-56.29 the County shall have the right to inspect the books and records of every contractor and subcontractor showing the name, craft or trade and actual hourly rate of wages paid to each work man employed by him in connection with a public work. Further, the County shall have the right to demand such proof as is necessary to verify said records.

All contractors shall post the prevailing wage rates for each craft and classification involved in prominent and easily accessible places at the site of the Work.

- (3) The bidder, and all contractors and subcontractors must employ the ratio of apprentices to journeymen as set forth by the Commissioner of Labor in determining the Prevailing Wage, or, if no such ratio has been established, than at a ratio of one apprentice to every four journeymen.

An apprentice is an individual who, while performing Work on a public project, is registered, in good standing, in an apprenticeship program approved or certified by the Division of Vocational Education in the New Jersey Department of Education or by the Bureau of Apprenticeship and Training in the United States Department of Labor.

A contractor or subcontractor employing one or more apprentices on a public work project shall maintain with its records written evidence that the apprenticeship program while performing Work on the Project. The contractor or subcontractor shall

make all records available for inspection by Union County and by the Commissioner during normal business hours.

Union County and the Commissioner shall have unencumbered access to the employees who are employed on a public project for the purpose of interviewing and determining compliance.

A contractor or subcontractor shall not create job titles and worker classifications that are not consistent with prevailing practices and existing task ratios for a specific building trade's craft for the purpose of circumventing the intent of this resolution.

- (4) The bidder, and all contractors and subcontractors must properly classify workers as employees and not as independent contractors, and treat them accordingly for purposes of wages, benefits, workers compensation insurance coverage, unemployment taxes, social security tax and income tax withholding. The criteria identified in the Unemployment Compensation Law at N.J.S.A. 43:21-19(1)(6)(a)(b)(c) and interpreting case law will be used to determine whether a worker is an employee or independent contractor for purposes of this resolution.
- (5) The bidder, and all contractors and subcontractors shall comply with the Prevailing Wage Act and its regulations regarding payment of fringe benefits.
- (6) Any bidder, contractor or subcontractor who fails to maintain throughout the entire duration of the Project full compliance with the foregoing requirements and qualifications shall be subject to one or more of the following sanctions:
 - A. Cessation of Work.
 - B. Removal from Project.
 - C. Withholding of payment until compliance is obtained.
 - D. Damages resulting from efforts taken to correct or sanction for failure to comply, such as costs of delay, or of obtaining new Contractor to complete Work.
- (7) A general contractor shall be liable for any violations by any subcontractors. The County reserves the right to investigate project sites for any and all possible violations. Contractors who have been determined to be in violation of this Resolution on any project for Union County will be reported to the Commissioner of Labor that debarment proceedings be instituted against the delinquent contractor.
- (8) The foregoing qualifications and requirements shall be binding on any and all bidders, contractors and subcontractors who perform Work on any public work, as defined in the Prevailing Wage Act, bid by the County of Union without regard to their affiliation, or lack of affiliation, to any labor or construction organization or association, and shall not be deemed to require or mandate the use of employees who are members of unions or any labor organization.
- (9) This Resolution shall apply to any projects bids after the passage of this Resolution and shall not apply to any project already under construction or for which bid specifications have been issued.

**54. ORDINANCE NO. 557-2002 ADOPTED ON SEPTEMBER 5, 2002
BY THE BOARD OF CHOSEN FREEHOLDERS**

Ordinance No. 557-2002 adopted on September 5, 2002 by the Board of Chosen Freeholders on Preclassification of Bidders by the NJDPMC (**if applicable**) pursuant to Ordinance No. 557-2002, the County of Union requires all bidders on projects for the construction, reconstruction, demolition, alteration, repair or maintenance of public buildings to be preclassified by the State of New Jersey, Department of Treasury, Division of Property Management and Construction (“DPMC”).

Bidders must provide proof of classification in the form of a Certificate/Notice of Classification from the DPMC showing a sufficient aggregate rating to cover their bid amount, which is active on the date of receipt of these bids. Further, Bidder must also provide proof of preclassification in the applicable/appropriate trade code necessary for Work on the Project.

AN ORDINANCE IN ACCORDANCE WITH N.J.S.A. 40A:11-25 ESTABLISHING REASONABLE REGULATIONS APPROPRIATE FOR CONTROLLING THE QUALIFICATIONS OF PROSPECTIVE BIDDERS UPON CONTRACTS TO BE AWARDED ON BEHALF OF THE CONTRACTING UNIT, BY THE CLASS OR CATEGORY OF GOODS AND SERVICES TO BE PROVIDED OR PERFORMED AND FIXING THE QUALIFICATIONS REQUIRED ACCORDING TO THE FINANCIAL ABILITY AND EXPERIENCE OF THE BIDDERS AND THE CAPITAL AND EQUIPMENT AVAILABLE TO THEM PERTINENT TO AND REASONABLY RELATED TO THE CLASS AND CATEGORY OF SERVICE TO BE PERFORMED IN THE PERFORMANCE OF ANY SUCH CONTRACT.

WHEREAS, N.J.S.A. 40A:11-25 provides that the governing body of any contracting unit may establish reasonable regulations appropriate for controlling the qualifications of prospective bidders upon contracts to be awarded on behalf of the contracting unit, by the class or category of goods and services to be provided or performed; and

WHEREAS, N.J.S.A. 40A:11-25 also states that the regulations established by the governing body may fix the qualifications required according to the financial ability and experience of the bidders and the capital and equipment available to them pertinent to and reasonably related to the class and category of service to be performed in the performance of any such contract; and

WHEREAS, N.J.S.A. 40A:11-25 also requires that prior to the adoption of any such regulations, a contracting unit shall submit them to a public hearing and notice and a general description of the subject matter shall be published in not less than two newspapers; and

WHEREAS, N.J.S.A. 52:35-1 et seq. and 18A:18A-27 et seq. establish qualifications for the experience and financial abilities of bidders and the capital and equipment available to them relative to the specific services to be performed; and

WHEREAS, currently state officials, under the Department of Treasury, Division of Property Management and Construction, classify all prospective bidders as to the character and amount of public works on which they shall be qualified to submit bids and bids shall be accepted only from persons qualified in accordance with such classifications; and

WHEREAS, application for classification is open to all Contractors, regardless of the size of the business; and

WHEREAS, classification is based on general standards equally applicable to all Contractors; and

WHEREAS, classification is expressed in terms of trade and an aggregate rating determined on the basis of experience, financial ability, equipment and capital; and

WHEREAS, generally aggregate ratings can range from 0 to \$200,000.00; and

WHEREAS, the County of Union will determine the aggregate rating it will require on contracts depending on the size and expense of the Project, but at no time shall the required aggregate rating exceed \$25,000,000.00 for any one project; and

WHEREAS, such provisions are of considerable benefit to the County and to bidders by insuring that such bidders have the requisite experience, expertise and resources necessary to effectively perform the terms and conditions of the contract:

BE IT ORDAINED by the Board of Chosen Freeholders of the County of Union that it formally adopts as **Policy** that all prospective bidders for building construction projects be classified in accordance with the Department of Treasury – Division of Property Management and Construction pursuant to N.J.S.A. 52:35-1 et seq. and N.J.S.A. 18A:18A-27 et seq.

BE IT FURTHER ORDAINED that the Board of Chosen Freeholders of the County of Union hereby adopts the classification of bidders by the New Jersey Department of Treasury, Division of Property Management and Construction as a reasonable regulation for controlling the qualifications of prospective bidders upon contracts to be awarded for construction on behalf of the County of Union.

BE IT FURTHER ORDAINED that the provisions of this ordinance are severable. To the extent any clause, phrase, sentence, paragraph or provision of this ordinance shall be declared invalid, illegal or unconstitutional, the remaining provisions shall continue to be in full force and effect.

BE IT FURTHER ORDAINED that a public hearing shall be held on this ordinance on September 5, 2002 at the meeting of the Board of Freeholders, County Administration Building, Elizabeth, New Jersey.

BE IT FURTHER ORDAINED that the Clerk of the Board of Freeholders of the County is hereby directed to publish and post notice of this ordinance as required by law.

BE IT FURTHER ORDAINED that within 10 days hereof the Clerk of the Board of Freeholders of the County shall forward certified copies of this ordinance to the County Manager, Director of Finance, County Counsel, and Division of Local Government Services.

This ordinance shall take effect twenty (20) days after final adoption and publication in accordance with applicable law.

55. CONTRACTOR BUSINESS REGISTRATION CERTIFICATE New Mandatory Requirement -Effective 1/18/2010

The recently enacted **P.L. 2009, c.315**, requires that effective January 18, 2010; a contracting agency must receive proof of the bidder's business registration prior to the award of a contract. However, the proof must show that the bidder was in fact registered with the State of New Jersey Department of the Treasury, Division of Revenue and obtained the business registration prior to the receipt of bids.

If subcontractors are named on the bid, proof of the business registration for each subcontractor must be provided prior to the award of bid. Similarly to the bidder, the proof must show that each subcontractor was registered with the State of New Jersey Department of the Treasury, Division of Revenue and obtained the business registration prior to the receipt of bids.

Proof of business registration shall be

- A copy of a Business Registration Certificate issued by the Department of the Treasury, Division of Revenue; or
- A copy of the web version provided by the NJ Division of Revenue, or

Register online at <http://www.state.nj.us/treasury/revenue/busregcert.htm>. Click the "online" link and then select "Register for Tax and Employer Purposes or call the Division at 609-292-1730.

Note: A NJ Certificate of Authority is not acceptable.

FAILURE to submit proof of registration of the bidder or any subcontractor named on the bid prior to the award of contract shall be cause to reject the bid.

FAILURE of the bidder or any subcontractor named on the bid to be registered prior to the receipt of bids is cause for a **MANDATORY REJECTION** of bids. (A NON-WAIVABLE DEFECT). This covers construction Work as well as non-construction bids.

IN ADDITION:

N.J.S.A. 52:32-44 imposes the following requirements on Contractors and all subcontractors that knowingly provide goods or perform services for a Contractor fulfilling this contract:

- 1) the Contractor shall provide written notice to its subcontractors and suppliers to submit proof of business registration to the Contractor;
- 2) subcontractors through all tiers of a project must provide written notice to their subcontractors and suppliers to submit proof of business registration and subcontractors shall collect such proofs of business registration and maintain them on file;

- 3) prior to receipt of final payment from a contracting agency, the Contractor must submit to the contacting agency an accurate list of all subcontractors and suppliers or attest that none was used; and,
- 4) during the term of this contract, the Contractor and its affiliates shall collect and remit, and shall notify all subcontractors and their affiliates that they must collect and remit, to the Director, New Jersey Division of Taxation, the use tax due pursuant to the Sales and Use Tax Act, (*N.J.S.A. 54:32B-1 et seq.*) on all sales of tangible personal property delivered into this State.

A Contractor, subcontractor or supplier who fails to provide proof of business registration or provides false business registration information shall be liable to a penalty of \$25 for each day of violation, not to exceed \$50,000 for each business registration copy not properly provided or maintained under a contract with a contracting agency. Information on the law and its requirements are available by calling (609) 292-9292.

[REMAINDER OF PAGE INTENTIONALLY LEFT BLANK]

56. PROJECT LABOR AGREEMENT (To be signed where the overall project cost exceeds \$5 Million, irrespective of Phasing)

An Executive Order of Governor James E. McGreevey dated January 17, 2002, requires the use of a Project Labor Agreement in public construction contracts. This Executive Order was codified as N.J.S.A. 52:38-1 et seq. as a result of P.L. 2002, Chapter 44. Contractor must be prepared to abide by the terms of the within Project Labor Agreement, including obtaining the necessary and applicable Letters of Assent from subcontractors (of any tier). Through said Letters of Assent the subcontractors (of any tier) also must be prepared to abide by the terms of the Project Labor Agreement.

Contractor's failure to enter into this Project Labor Agreement shall result in the County's valid refusal to enter into a contract, for the performance of the Work with Contractor and shall constitute a default under the Contract. In addition, Contractor will be required to submit the completed Letters of Assent to the County with the executed Project Labor Agreement. The Project Labor Agreement is to be executed only where the total Project cost is \$5 Million or more, irrespective of Phasing.

ARTICLE 1 - PREAMBLE

WHEREAS, the COUNTY OF UNION, on behalf of itself, and Project Management Firms ("PMF") acting as Construction Managers, and reflecting the objectives of the COUNTY OF UNION ("UC"), as Owner, desires to provide for the efficient, safe, quality, and timely completion of a construction project for the County in a manner designed to afford lower reasonable costs to Union County, the Union County Freeholder Board, and the Public it represents, and the advancement of public policy objectives; **(See Project Labor Agreement attached)**

WHEREAS, this Project Labor Agreement will foster the achievement of these goals, inter alia by:

- (1) ensuring a reliable source of skilled and experienced labor;
- (2) standardizing the terms and conditions governing the employment of labor on the Project;
- (3) permitting wide flexibility in Work scheduling and shift hours and times; from those which otherwise might obtain;
- (4) receiving negotiated adjustments as to Work rules and staffing requirements from those which otherwise might obtain;
- (5) providing comprehensive and standardized mechanisms for the settlement of Work disputes, including those relating to jurisdiction;
- (6) avoiding the costly delays of potential strikes, slowdowns, walkouts, picketing and other disruptions arising from Work disputes, and promote labor harmony and peace for the

- duration of the Projects.
- (7) furthering public policy objectives as to improved employment opportunities for minorities, women and the economically disadvantaged in the construction industry;
 - (8) expediting the construction process; and,

WHEREAS, the signatory Unions desire the stability, security and Work opportunities afforded by a Project Labor Agreement; and

WHEREAS, the Parties desire to maximize Project safety conditions for both workers and the public,

NOW, THEREFORE, the Parties enter into this Agreement:

SECTION 1. PARTIES TO THE AGREEMENT

This is a Project Labor Agreement ("Agreement") entered into by and between UC and its successors and assigns, General Contractors to be named, for certain construction Work to be performed on construction performed pursuant to the "Local Public Contracts Law" in the State of New Jersey and by the Union County Building and Construction Trades Council, AFL-CIO, on behalf of itself and its affiliates and members.

ARTICLE 2 - GENERAL CONDITIONS

SECTION 1. DEFINITIONS

Throughout this Agreement, the Union party and the Building Trades Council are referred to singularly and collectively as "the Union(s)" where specific reference is made to "Local Unions" that phrase is sometimes used; the term "Contractor(s)" shall include the Project Management Firm and all signatory Contractors, and their subcontractors of whatever tier, engaged in on-site Project construction Work within the scope of this Agreement as defined in Article 3; County of Union (UC) is referenced as (Owner); the Union County Building and Construction Trades Council, AFL-CIO is referenced as the BTC, and the Work covered by this Agreement (as defined in Article 3) is referred to as the "Project".

SECTION 2. CONDITIONS FOR AGREEMENT TO BECOME EFFECTIVE

The Agreement shall not become effective unless executed by the BTC, the PMF, and the General Contractor and will remain in effect until the **final** completion of the **Project**.

SECTION 3. ENTITIES BOUND & ADMINISTRATION OF AGREEMENT

This Agreement shall be binding on all signatory Unions and the Project Management Firms and all signatory Contractors performing on-site Project Work,

including site preparation and staging areas, as defined in Article 3. The Contractors shall include in any subcontract that they let, for performance during the term of this Agreement, a requirement that their subcontractors, of whatever tier, become signatory and bound by this Agreement with respect to subcontracted Work performed within the scope of Article 3. This Agreement shall be administered by the PMF on behalf of all Contractors.

SECTION 4. SUPREMACY CLAUSE

This Agreement, together with the local Collective Bargaining Agreements appended hereto as Schedule A represents the complete understanding of all signatories and supersedes any national agreement, local agreement or other collective bargaining agreement of any type which would otherwise apply to this Project, in whole or in part. Where a subject covered by the provisions, explicit or implicit, of this Agreement is also covered by a Schedule A, the provisions of this Agreement shall prevail. It is further understood that neither the PMF nor any Contractor shall be required to sign any other agreement as a condition of performing Work on this Project. No practice, understanding or agreement between a Contractor and Local Union, which is not explicitly set forth in this Agreement shall be binding on this Project unless endorsed in writing by the PMF.

SECTION 5. LIABILITY

The liability of any Contractor and the liability of any Union under this Agreement shall be several and not joint. The PMF and any Contractor shall not be liable for any violations of this Agreement by any other Contractor and the BTC and Local Unions shall not be liable for any violations of this Agreement by any other Union.

SECTION 6. THE CONSTRUCTION PROJECT MANAGER

UC shall require in its bid specifications for all Work within the scope of Article 3 that all successful bidders, and their subcontractors of whatever tier, become bound by, and signatory to, this Agreement. UC is not a party to and shall not be liable in any manner under this Agreement. It is understood that nothing in this Agreement shall be construed as limiting the sole discretion of UC in determining which Contractors shall be awarded contracts for Project Work. It is further understood that UC has sole discretion at any time to terminate, delay or suspend the Work, in whole or part, on this Project.

SECTION 7. AVAILABILITY AND APPLICABILITY TO ALL SUCCESSFUL BIDDERS

The Unions agree that this Agreement will be made available to, and will fully apply to any successful bidder for Project Work who becomes signatory thereto, without regard to whether that successful bidder performs Work at other sites on either a union or non-union basis and without regard to whether employees of such successful bidder are, or are not, members of any unions. This Agreement shall not apply to the Work of any Contractor or PMF, which is performed at any location other than the Project site, as defined in Article 3, Section 1.

ARTICLE 3 - SCOPE OF THE AGREEMENT

The Project Work covered by this Agreement shall be as defined and limited by the following sections of this Article.

SECTION 1: THE WORK

This Agreement shall apply to building construction conducted by the County of Union pursuant to the "Local Public Contracts Law" in the State of New Jersey. This scope of Work may be amended time to time by UC to include Work not performed under the "Local Public Contracts Law".

The scope of Work is confined to the on-site Project Work contained in the scope of the General Contractor's final construction contract.

SECTION 2. EXCLUDED EMPLOYEES

The following persons are not subject to the provisions of this Agreement, even though performing Work on the Project:

Superintendents, supervisors (excluding superintendents and general supervisors and forepersons specifically covered by a craft's Schedule A), engineers, inspectors and testers (excluding divers specifically covered by a craft's Schedule A), quality control/assurance personnel, timekeepers, mail carriers, clerks, office workers, messengers, guards, non-manual employees, and all professional, engineering, administrative and management persons;

Employees of UC or any State agency, authority or entity or employees of any municipality or county or other public employer;

Employees and entities engaged in off-site manufacture, modifications, repair, maintenance, assembly, painting, handling or fabrication of project components, materials, equipment or machinery, unless such offsite operations are covered by the New Jersey Prevailing Wage Act by being dedicated exclusively to the performance of the public works contract or building project and are adjacent to the site of Work, or involved in deliveries to and from the Project site, excepting local deliveries of all major construction materials including fill, ready mix, asphalt and item 4 which are covered by this Agreement.

Employees of the PMF or General Contractor, excepting those performing manual, on-site construction labor who will be covered by this Agreement;

Employees engaged in on-site equipment warranty.

Employees engaged in geophysical testing (whether land or water) other than boring for core samples;

Employees engaged in laboratory or specialty testing or inspections;

Employees engaged in ancillary Project Work performed by third parties such as electric utilities, gas utilities, telephone utility companies, and railroads.

SECTION 3. NON-APPLICATION TO CERTAIN ENTITIES

This Agreement shall not apply to the parents, affiliates, subsidiaries, or other joint or sole ventures of any Contractor or of PMF, which do not perform Work at this Project. It is agreed, for the purposes of this Agreement only, that this Agreement does not have the effect of creating any joint employment, single employer or alter ego status among the owners, the PMF and/or any Contractor. The Agreement shall further not apply to UC or any other state or county agency, authority, or other municipal or public entity and nothing contained herein shall be construed to prohibit or restrict UC or its employees of any other state authority, agency or entity and its employees from performing on or off-site Work related to the Project. As the contracts which comprise the Project Work are completed and accepted, the Agreement shall not have further force or effect on such items or areas except where inspections, additions, repairs, modifications, check-out and/or warranty Work are assigned in writing (copy to Local Union involved) by the General Contractor for performance under the terms of this Agreement.

ARTICLE 4 - UNION RECOGNITION AND EMPLOYMENT

SECTION 1. PRE-HIRE RECOGNITION

The Contractors recognize the signatory Unions as the sole and exclusive bargaining representatives of all craft employees who are performing on-site Project Work within the scope of this Agreement as defined in Article 3.

SECTION 2. UNION REFERRAL

- A. The Contractors agree to hire Project, craft employees covered by this Agreement through the job referral systems and hiring halls (where the referrals meet the qualifications set forth in items 1,2, and 4 subparagraph B) established in the Local Unions' area collective bargaining agreements (attached as Schedule A to this Agreement).

Notwithstanding this, the Contractors shall have sole rights to determine the competency of all referrals; the number of employees required (except with regard to pile driving); the selection of employees to be laid-off (subject to the applicable procedures in Schedule A for permanent and/or temporary layoffs and except as provided in Article 5, Section 3); and the sole right to reject any applicant referred by a Local Union, subject to the show-up payments required in the applicable Schedule A. In the event that a Local Union is unable to fill any request for qualified employees within a 48-hour period after such requisition is made by the Contractor (Saturdays, Sundays, and

holidays excepted), the Contractor may employ qualified applicants from another competent source. In the event that the Local Union does not have a job referral system, the Contractor shall give the Local Union first preference to refer applicants, subject to the other provisions of this Article. The Contractor shall notify the Local Union of the Project, craft employees hired within its jurisdiction from any source other than referral by the Union.

- B. A Contractor may request by name, and the Local will honor, referral of persons who have applied to the Local for Project Work and who meet the following qualifications as determined by a Committee of 3 designated, respectively, by the applicable Local Union, the PMF and a mutually selected third party or, in the absence of agreement, the permanent arbitrator (or designee) designated in Article 7:
- (1) possess any license required by NJ law for Project Work to be performed;
 - (2) have worked a total of at least 1000 hours in the Construction craft during the prior 3 years;
 - (3) were on the Contractor's active payroll for at least 60 out of the 180 calendar days prior to the contract award;
 - (4) have demonstrated ability to safely perform the basic function of the applicable trade.

No more than 12 per centum of the employees covered by this Agreement, per Contractor by craft, shall be hired through the special provisions above (any fraction shall be rounded to the next highest whole number).

- C. A certified MBE/WBE contractor may request from the Workforce Coordinator, through the PMF, an exception to, and waiver of, the above per centum limitation upon the number of its employees to be hired through the special provision of Section 2.B above. This exception is based upon hardship and demonstration by the contractor that the Project Work would be the contractor's only job and that it would be obliged to lay off qualified minority and female employees in its current workforce moving from the last job.

The exception and waiver are also conditioned upon the employees meeting the qualifications as set forth in Section 2.B above.

SECTION 3. NON-DISCRIMINATION IN REFERRALS

The Unions represent that their hiring halls and referral systems will be operated in a non-discriminatory manner and in full compliance with all applicable federal, state and local laws and regulations, which require equal employment opportunities. Referrals shall not be affected in any way by the rules, regulations, bylaws, constitutional provisions or any other aspects or obligations of union membership, policies or requirements and shall be subject to such other conditions as are established in this Article. No employment applicant shall

be discriminated against by any referral system or hiring hall because of the applicant's union membership, or lack thereof.

SECTION 4. MINORITY AND FEMALE REFERRALS

In the event a Union either fails, or is unable, to refer qualified minority or female applicants in percentages equaling Project affirmative action goals as set forth in UC's bid specifications, the Contractor may employ qualified minority or female applicants from any other available source as Apprentice Equivalents. Apprentice Equivalents will have completed a DOL approved training program, applied to take a construction Apprenticeship test, and will be paid at not less than the applicable equivalent Apprentice rate. With the approval of the Local Administrative Committee (LAC), experience in construction related areas may be accepted as meeting the above requirements.

SECTION 5. CROSS AND QUALIFIED REFERRALS

The Unions shall not knowingly refer to a Contractor an employee then employed by another Contractor working under this Agreement. The Local Unions will exert their utmost efforts to recruit sufficient numbers of skilled and qualified craft employees to fulfill the requirements of the Contractor.

SECTION 6. UNION DUES / WORKING ASSESSMENTS

All employees covered by this Agreement shall be subject to the union security provisions contained in the applicable Schedule A local agreements, as amended from time to time, but only for the period of time during which they are performing on-site Project Work and only to the extent of rendering payment of the applicable union dues and assessments uniformly required for union membership in the Local Union, signatory to this Agreement, which represents the craft in which the employee is performing Project Work. No employee shall be discriminated against at the Project site because of the employee's union membership or lack thereof. In the case of unaffiliated employees, the dues payment can be received by the Unions as a working assessment fee.

SECTION 7. CRAFT FOREPERSONS AND GENERAL FOREPERSONS

The selection of craft forepersons and/or general forepersons and the number of forepersons required shall be solely the responsibility of the Contractor except where otherwise provided by specific provisions of an applicable Schedule A. All forepersons shall take orders exclusively from the designated Contractor representatives. Craft foreperson shall be designated as working forepersons at the request of the Contractor, except when an existing local Collective Bargaining Agreement prohibits a foreperson from working when the craftsperson he is leading exceed a specified number.

ARTICLE 5 - UNION REPRESENTATION

SECTION 1. LOCAL UNION REPRESENTATIVE

Each Local Union representing on-site Project employees shall be entitled to designate, in writing (copy to General Contractor involved and the PMF), one representative, and the Business Manager, who shall be afforded access to the Project.

SECTION 2. STEWARDS

- A. Each Local Union shall have the right to designate a working journey person as a Steward and an alternate, and shall notify the Contractor and PMF of the identity of the designated Steward (and alternate) prior to the assumption of such duties. Stewards shall not exercise supervisory functions and will receive the regular rate of pay for their craft classifications. There will be no non-working Stewards on the Project.
- B. In addition to their Work as an employee, the Steward shall have the right to receive complaints or grievances and to discuss and assist in their adjustment with the Contractor's appropriate supervisor. Each Steward shall be concerned with the employees of the Steward's Contractor and, if applicable, subcontractors of that Contractor, but not with the employees of any other Contractor. The Contractor will not discriminate against the Steward in the proper performance of Union duties.
- C. The Stewards shall not have the right to determine when overtime shall be worked, or who shall work overtime, except pursuant to a Schedule A provision providing procedures for the equitable distribution of overtime.

SECTION 3. LAYOFF OF A STEWARD

Contractors agree to notify the appropriate Union, 24 hours prior to the layoff of a Steward, except in cases of discipline or discharge for just cause. If a Steward is protected against layoff by a Schedule A, such provisions shall be recognized to the extent the Steward possesses the necessary qualifications to perform the Work required. In any case in which a Steward is discharged or disciplined for just cause, the Local Union involved shall be notified immediately by the Contractor.

ARTICLE 6 - MANAGEMENT'S RIGHTS

SECTION 1. RESERVATION OF RIGHTS

Except as expressly limited by a specific provision of this Agreement, Contractors retain full and exclusive authority for the management of their Project operations including, but not limited to: the right to direct the work force, including determination as to the number to be hired and the qualifications therefore; the promotion, transfer, layoff of its

employees; or the discipline or discharge for just cause of its employees; the assignment and schedule of Work; the promulgation of reasonable Project Work rules; and, the requirement, timing and number of employees to be utilized for overtime work. No rules, customs, or practices, which limit or restrict productivity or efficiency of the individual, as determined by the Contractor, GC or PMF, and/or joint working efforts with other employees shall be permitted or observed.

SECTION 2. MATERIALS, METHODS & EQUIPMENT

There shall be no limitations or restriction upon the Contractors' choice of materials, techniques, methods, technology or design, or, regardless of source or location, upon the use and installation of equipment, machinery, package units, pre-cast, pre-fabricated, pre-finished, or pre-assembled materials, tool, or other labor-saving devices. Contractors may, without restriction, install or use materials, supplies or equipment regardless of their source. The on-site installation or application of such items shall be performed by the craft having jurisdiction over such Work; provided, however, it is recognized that other personnel having special qualifications may participate, in a supervisory capacity, in the installation, check-out or testing of specialized or unusual equipment or facilities as designated by the Contractor. Notwithstanding the foregoing statement of Contractor rights, prefabrication issues relating to work traditionally performed at the job site shall be governed pursuant to the terms of the applicable Schedule A. There shall be no restrictions as to Work, which is performed off-site for the Project, except for work done in a fabrication center, tool yard, or batch plant dedicated exclusively to the performance of Work on the Project, and located adjacent to the "site of Work".

ARTICLE 7 - WORK STOPPAGES AND LOCKOUTS

SECTION 1. NO STRIKES-NO LOCKOUT

There shall not be strikes, sympathy strikes, picketing, work stoppages, slowdowns, hand billing, demonstrations or other disruptive activity at the Project for any reason by any Union or employee against any Contractor or employer while performing Work at the Project. There shall be no other Union, or concerted or employee activity which disrupts or interferes with the operation of the existing free flow of traffic in the project area. Failure of any Union or employee to cross any picket line established by any union, signatory or non-signatory to this Agreement, or the picket or demonstration line of any other organization, at or in proximity to the Project site is a violation of this Article. There shall be no lockout at the Project by any signatory Contractor. Contractors and Unions shall take all steps necessary to ensure compliance with this Section 1 and to ensure uninterrupted construction and the free flow of traffic in the project area for the duration of this Agreement.

SECTION 2. DISCHARGE FOR VIOLATION

A Contractor may discharge any employee violating Section 1 above, and any such employee will not be eligible thereafter for referral under this Agreement for a period of 100 days.

SECTION 3. NOTIFICATION

If a Contractor contends that any Union has violated this Article, it will notify the appropriate district or area council of the Local Union involved advising of such fact, with copies of the notification to the Local Union and the BTC. The district or area council, and the BTC shall each instruct, order and otherwise use their best efforts to cause the employees, and/or the Local Unions to immediately cease and desist from any violation of this Article. A district or area council, or the BTC complying with these obligations shall not be liable for the unauthorized acts of a Local Union or its members.

SECTION 4. EXPEDITED ARBITRATION

Any Contractor or Union alleging a violation of Section 1 of this Article may utilize the expedited procedure set forth below (in lieu of, or in addition to, any actions at law or equity) that may be brought.

- A. A party invoking this procedure shall notify J.J. Pierson who shall serve as Arbitrator under this expedited arbitration procedure. Copies of such notification will be simultaneously sent to the alleged violator and, if a Local Union is alleged to be in violation, it's International, UC, the PMF, the BTC, and the GC.
- B. The Arbitrator shall thereupon, after notice as to time and place to the Contractor, the GC, the Local Union involved, the BTC, and the PMF, hold a hearing within 48 hours of receipt of the notice invoking the procedure it is contended that the violation still exists. The hearing will not, however, be scheduled for less than 24 hours after the notice to the district or area council required by Section 3 above.
- C. All notices pursuant to this Article may be by telephone, telegraph, hand delivery, or fax, confirmed by overnight delivery, to the arbitrator, Contractor or Union involved. The hearing may be held on any day including Saturdays or Sundays. The hearing shall be completed in one session, which shall not exceed 8 hours duration (no more than 4 hours being allowed to either side to present their case, and conduct their cross examination) unless otherwise agreed. A failure of any Union or Contractor to attend the hearing shall not delay the hearing of evidence by those present or the issuance of an award by the Arbitrator.

- D. The sole issue at the hearing shall be whether a violation of Section 1, above, occurred. If a violation is found to have occurred, the Arbitrator shall issue a Cease and Desist Award restraining such violation and serve copies on the Contractor and Union involved. The Arbitrator shall have no authority to consider any matter in justification, explanation or mitigation of such violation or to award damages, which issue is reserved solely for court proceedings, if any. The Award shall be issued in writing within 3 hours after the close of the hearing, and may be issued without an Opinion. If any involved party desires an Opinion, one shall be issued within 15 calendar days, but its issuance shall not delay compliance with, or enforcement of, the Award.
- E. An Award issued under this procedure may be enforced by any court of competent jurisdiction upon the filing of the Agreement together with the Award. Notice of the filing of such enforcement proceedings shall be given to the Union or Contractor involved. In any court proceeding to obtain a temporary or preliminary order enforcing the arbitrator's Award as issued under this expedited procedure, the involved Union and Contractor waive their right to a hearing and agree that such proceedings may be ex parte, provided notice is given to opposing counsel. Such agreement does not waive any party's right to participate in a hearing for a final court order of enforcement or in any contempt proceeding.
- F. Any rights created by statute or law governing arbitration proceedings which are inconsistent with the procedure set forth in this Article, or which interfere with compliance thereto, are hereby waived by the Contractors and Unions to whom they accrue.
- G. The fees and expenses of the Arbitrator shall be equally divided between the involved Contractor and Union.

SECTION 5. ARBITRATION OF DISCHARGES FOR VIOLATION

Procedures contained in Article 9 shall not be applicable to any alleged violation of this Article, with the single exception that an employee discharged for violation of Section 1, above, may have recourse to the procedures of Article 9 to determine only if the employee did, in fact, violate the provisions of Section 1 of this Article; but not for the purpose of modifying the discipline imposed where a violation is found to have occurred.

ARTICLE 8. - LOCAL ADMINISTRATIVE COMMITTEE (LAC)

SECTION 1. THE LOCAL ADMINISTRATIVE COMMITTEE WILL MEET ON A REGULAR BASIS TO:

- (1) Implement and oversee the Agreement procedures and initiatives;
- (2) Monitor the effectiveness of the Agreement; and
- (3) Identify opportunities to improve efficiency and Work execution.

SECTION 2. COMPOSITION

The LAC will be co-chaired by the President of the Building and Construction Trades Council or his designee, and designated official of UC. It will be comprised of representatives of the local unions signatory to the project labor agreement (PLA) and representatives of the PMF and other contractors on the Project.

ARTICLE 9 - GRIEVANCE & ARBITRATION PROCEDURE

SECTION 1. PROCEDURE FOR RESOLUTION OF GRIEVANCES

Any question, dispute or claim arising out of, or involving the interpretation or application of this Agreement (other than jurisdictional disputes or alleged violations of Article 7, Section 1) shall be considered a grievance and shall be resolved pursuant to the exclusive procedure of the steps described below; provided, in all cases, that the question, dispute or claim arose during the term of this Agreement.

Step 1:

- (a) When any employee covered by this Agreement feels aggrieved by a claimed violation of this Agreement, the employee shall, through the Local Union business representative or job steward give notice of the claimed violation to the Work site representative of the involved Contractor. To be timely, such notice of the grievance must be given within 7 calendar days after the act, occurrence, or event giving rise to the grievance, or after the act, occurrence or event became known or should have become known to the Union. The business representative of the Local Union or the job steward and the Work site representative of the involved Contractor shall meet and endeavor to adjust the matter within 7 calendar days after timely notice has been given. If they fail to resolve the matter within the prescribed period, the grieving party, may, within 7 calendar days thereafter, pursue Step 2 of the grievance procedure by serving the involved Contractor and the General Contractor with written copies of the grievance setting forth a description of the claimed violation, the date on which the grievance occurred, the provisions of the Agreement alleged to have been violated. Grievances and disputes settled at Step 1 are non-

precedential except as to the specific Local Union, employee and Contractor directly involved, unless the settlement is accepted in writing, by the General Contractor, as creating a precedent.

- (b) Should any signatory to this Agreement have a dispute (excepting jurisdictional disputes or alleged violations of Article 7, Section 1) with any other signatory to this Agreement and, if after conferring, a settlement is not reached within 7 calendar days, the dispute shall be reduced to writing and proceed to Step 2 in the same manner as outlined in subparagraph (a) for the adjustment of employee grievances.

Step 2:

The Business Manager or designee of the involved Local Union, together with representatives of the BTC, the involved Contractor, and the General Contractor shall meet in Step 2 within 5 calendar days of the written grievance to arrive at a satisfactory settlement.

Step 3:

- (a) If the grievance shall have been submitted but not resolved in Step 2, any of the participating Step 2 entities may, within 14 calendar days after the initial Step 2 meeting, submit the grievance in writing (copies to other participants) to J.J. Pierson, who shall act as the Arbitrator under this procedure. The Labor Arbitration Rules of the American Arbitration Association shall govern the conduct of the arbitration hearing, at which all Step 2 participants shall be parties. The decision of the Arbitrator shall be final and binding on the involved Contractor, Local Union and employees and the fees and expenses of such arbitration's shall be borne equally by the involved Contractor and Local Union.
- (b) Failure of the grieving party to adhere to the time limits set forth in this Article shall render the grievance null and void. These time limits may be extended only by written consent of the PMF, involved Contractor and involved Local Union at the particular step where the extension is agreed upon. The Arbitrator shall have authority to make decisions only on the issues presented to him and shall not have the authority to change, add to, delete or modify any provision of this Agreement.

SECTION 2. LIMITATION AS TO RETROACTIVITY

No arbitration decision or award may provide retroactivity of any kind exceeding 30 calendar days prior to the date of service of the written grievance on the construction Project Manager and the involved Contractor or Local Union.

SECTION 3. PARTICIPATION BY GENERAL CONTRACTOR

The General Contractor shall be notified by the involved Contractor of all actions at Steps 2 and 3 and, at its election, may participate in full in all proceedings at these Steps, including Step 3 arbitration.

ARTICLE 10 - JURISDICTIONAL DISPUTES

SECTION 1. NO DISRUPTIONS

There will be no strikes, sympathy strikes, work stoppages, slowdowns, picketing or other disruptive activity of any kind arising out of any jurisdictional dispute. Pending the resolution of the dispute, the Work shall continue uninterrupted and as assigned by the Contractor. No jurisdictional dispute shall excuse a violation of Article 7.

SECTION 2. ASSIGNMENT

- A. There shall be a mandatory pre-job markup/assignment meeting prior to the commencement of any Work. Attending such meeting shall be designated representatives of the Union signatories to this Agreement, the PMF, and the involved Contractors. Best efforts will be made to schedule the pre-job meeting in a timely manner after Notice to Proceed is issued but not later than 30 days prior to the start of the Project.
- B. All Project construction Work assignments shall be made by the Contractor according to the area practice.

SECTION 3. PROCEDURE FOR SETTLEMENT OF LABOR DISPUTES

- A. Any Union having a jurisdictional dispute with respect to Project Work assigned to another Union will submit the dispute in writing to the Administrator, Plan for the Settlement of Jurisdictional Disputes in the Construction Industry ("the Plan") within 72 hours and send a copy of the letter to the other Union involved, the Contractor involved, the General Contractor, the BTC, and the district or area councils of the unions involved. Upon receipt of a dispute letter from any union, the Administrator will invoke the procedures set forth in the Plan to resolve the jurisdictional dispute. The jurisdictional dispute letter shall contain the information described in Article IV of the Plan.
- B. Within 5 calendar days of receipt of the dispute letter, there shall be meeting of the General Contractor, the Contractor involved, the Local Unions involved and designees of the BTC and the district or area councils of the Local Unions involved for the purpose of resolving the jurisdictional dispute.

- C. In order to expedite the resolution of jurisdictional disputes, the parties have agreed in advance to select Plan Arbitrator Pierson to hear all unsolved jurisdictional disputes arising under this Agreement. All other rules and procedures of the Plan shall be followed. If Plan Arbitrator Pierson is not available to hear the dispute within the time limits of the Plan, the Plan's arbitrator selection process shall be utilized to select another arbitrator. In the event that a union involved in the dispute is not a member of the BTC, the dispute shall be submitted directly to Arbitrator Pierson.
- D. The Arbitrator will render a short-form decision within 5 days of the hearing based upon the evidence submitted at the hearing, with a written decision to follow within 30 days of the close of hearing.
- E. This Jurisdictional Dispute Resolution Procedure will only apply to Work performed by Local Unions at the Project.
- F. Any Local Union involved in a jurisdictional dispute on this Project shall continue working in accordance with Section 2 above and without disruption of any kind.

SECTION 4. AWARD

Any jurisdictional award pursuant to Section 3 shall be final and binding on the disputing Local Unions and the involved Contractor on this Project only, and may be enforced in any court of competent jurisdiction. Such award or resolution shall not establish a precedent on any other construction work not covered by this Agreement. In all disputes under this Article, the General Contractor and the involved Contractors shall be considered parties in interest.

SECTION 5. LIMITATIONS

The Jurisdictional Dispute Arbitrator shall have no authority to assign Work to a double crew, that is, to more employees than the minimum required by the Contractor to perform the Work involved; nor to assign Work to employees who are not qualified to perform the Work involved; not to assign Work being performed by non-union employees to union employees. This does not prohibit the establishment, with the agreement of the involved Contractor, of composite crews where more than 1 employee is needed for the job. The aforesaid determinations shall decide only to whom the disputed Work belongs.

SECTION 6. NO INTERFERENCE WITH WORK

There shall be no interference or interruption of any kind with the Work of the Project while any jurisdictional dispute is being resolved. The Work shall proceed as assigned by the Contractor until finally resolved under the applicable procedure of this Article. The award shall be confirmed in writing to the involved parties. There shall be no strike, work stoppage or interruption in protest of any such award.

ARTICLE 11 - WAGES AND BENEFITS

SECTION 1. CLASSIFICATION AND BASE HOURLY RATE

All employees covered by this Agreement shall be classified in accordance with the Work performed and paid the base hourly wage rates for those classifications as specified in the attached Schedules A, as amended during this Agreement. Recognizing, however, that special conditions may exist or occur on the Project, the parties, by mutual agreement may establish rates and/or hours for one or more classifications, which may differ from Schedules A. Parties to such agreements shall be the General Contractor, the Contractor involved, the involved Local Unions and the BTC.

SECTION 2. EMPLOYEE BENEFIT FUNDS

- A. The Contractors agree to pay contributions on behalf of all employees covered by this Agreement to the established employee benefit funds in the amounts designated in the appropriate Schedule A; provided, however, that the Contractor and the Union agree that only such bona fide employee benefits as are explicitly required under N.J.S.A 34:11-56.30 of the New Jersey State Labor Law shall be included in this requirement and paid by the Contractor on this Project. Bona fide jointly trusted fringe benefit plans established or negotiated through collective bargaining during the life of this Agreement may be added if similarly protected under N.J.S.A. 34:11-56-30. Contractors shall not be required to contribute to non-N.J.S.A 34:11-56.30 benefits, trusts or plans.
- B. The Contractor agrees to be bound by the written terms of the legally established Trust Agreements specifying the detailed basis on which payments are to be paid into, and benefits paid out of, such Trust Funds but only with regard to Work done on this Project and only for those employees to whom this Agreement requires such benefit Payments.
- C. Should any Contractor or sub-contractor become delinquent in the payment of contributions to the fringe benefit funds, then the subcontractor at the next higher tier, or upon notice of the delinquency claim from the Union or the Funds, agrees to withhold from the subcontractor such disputed amount from the next advance, or installment payment for Work performed until the dispute has been resolved.

ARTICLE 12 - HOURS OF WORK, PREMIUM PAYMENTS, SHIFTS AND HOLIDAYS

SECTION 1. WORK WEEK AND WORK DAY

- A. The standard work week shall consist of 40 hours of work at straight time rates per one of the following schedules:

G-51

- 1) Five-Day Work Week: Monday-Friday, 5 days, 8 hours plus 1/2 hour unpaid lunch period each day.
 - (2) Four-Day Work Week: Monday-Thursday; 4 days, 10 hours plus 1/2 hour unpaid lunch period each day.
- B. The Day Shift shall commence between the hours of 6:00 a.m. and 9:00 a.m. and shall end between the hours of 2:30 p.m. and 7:30 p.m. Starting and quitting times shall occur at the employees' place of work as may be designated by the Contractor.
- C. Scheduling - The Contractor shall have the option of scheduling either a five-day work week, or four-day work week (when mutually agreed upon on a craft-by-craft basis). The Contractor shall also has the option to set the work day hours consistent with Project requirements, the Project schedule, and minimization of interference with County operations traffic flow. When conditions beyond the control of the Contractor, such as severe weather, power failure, fire or natural disaster, prevent the performance of Project Work on a regularly scheduled work day, the Contractor may, with mutual agreement of the Local Union on a craft-by-craft basis, schedule Friday (where on 4, 10's) during the calendar week in which a workday was lost, at straight time pay; providing the employees involved work a total of 40 hours or less during that work week.
- D. Notice - Contractors shall provide not less than 5 days prior notice to the Local Union involved as to the work week and work hours schedules to be worked or such lesser notice as may be mutually agreed upon.

SECTION 2. OVERTIME

Overtime pay for hours outside of the standard work week and work day, described in paragraph A above, shall be paid in accordance with the applicable Schedule A. There will be no restriction upon the Contractor's scheduling of overtime or the non-discriminatory designation of employees who shall be worked, except as noted in Article 5, Section 2. There shall be no pyramiding of overtime pay under any circumstances. The Contractor shall have the right to schedule work so as to minimize overtime.

SECTION 3. SHIFTS

- A. Flexible Schedules - Scheduling of shift work shall remain flexible in order to meet Project schedules and existing Project conditions including the minimization of interference with County operations. It is not necessary to work a day shift in order to schedule a second shift. Shifts must be worked a minimum of five consecutive work days, must have prior approval of the Construction Project Manager and must be scheduled with not less than five work days notice to the Local Union.
- B. Second/Shift - The second shift (starting between 2 p.m. and 8p.m.) shall

consist of 8 hours work (or 10 hours of work) for an equal number of hours pay at the straight time rate plus 15% in lieu of overtime and exclusive of a 1/2 hour unpaid lunch period.

- C. Flexible Starting Times - Shift starting times will be adjusted by the Contractor as necessary to fulfill Project requirements subject to the notice requirements of paragraph A.
- D. Four Tens - When working a four-day work week, the standard work day shall consist of 10 hours work for 10 hours of pay at the straight time rate exclusive of an unpaid 1/2 hour meal period and regardless of the starting time. This provision is applicable to night shifts only, and such night shifts are subject to the shift differential in paragraph B above.
- E. It is agreed that when Project circumstances require a deviation from the above shifts, the involved unions, Contractors and the General Contractor shall adjust the starting times of the above shifts or establish shifts which meet the Project requirements. It is agreed that neither party will unreasonably withhold their agreement.

SECTION 4. HOLIDAYS

- A. Schedule - There shall be 8 recognized holidays on the Project:

New Years Day	Labor Day
Presidents Day	Veterans Day
Memorial Day	Thanksgiving Day
Fourth of July	Christmas Day

*Work shall be scheduled on Good Friday pursuant to the craft's Schedule A.

All said holidays shall be observed on the dates designated by New Jersey State Law. In the absence of such designations, they shall be observed on the calendar date except those holidays which occur on Sunday shall be observed on the following Monday. Holidays falling on Saturday are to be observed on the preceding Friday.

- B. Payment - Regular holiday pay, if any, and/or premium pay for work performed on such a recognized holiday shall be in accordance with the applicable Schedule A.
- C. Exclusivity - No holidays other than those listed in Section 4-A above shall be recognized nor observed except in Presidential Election years when Election Day is a recognized holiday.

SECTION 5. REPORTING PAY

- A. Employees who report to the Work location pursuant to regular schedule and who are not provided with work or whose work is terminated early by a Contractor, for whatever reason, shall receive minimum reporting pay in accordance with the applicable Schedule A.
- B. When an employee, who has completed their scheduled shift and left the Project site, is "called back" to perform special Work of a casual, incidental or irregular nature, the employee shall receive pay for actual hours worked with a minimum guarantee, as may be required by the applicable Schedule A.
- C. When an employee leaves the job or Work location of their own volition or is discharged for cause or is not working as a result of the Contractor's invocation of Section 7 below, they shall be paid only for the actual time worked.
- D. Except as specifically set forth in this Article there shall be no premiums, bonuses, hazardous duty, high time or other special payments of any kind.
- E. There shall be no pay for time not actually worked except as specifically set forth in this Agreement and except where an applicable Schedule A requires a full weeks pay for forepersons.

SECTION 6. PAYMENT OF WAGES

- A. Payday - Payment shall be made by check, drawn on a New Jersey bank with branches located within commuting distance of the job site. Paychecks shall be issued by the Contractor at the job site by 10 a.m. on Thursdays. In the event that the following Friday is a bank holiday, paychecks shall be issued on Wednesday of that week. Not more than 3 days wages shall be held back in any pay period. Paycheck stubs shall contain the name and business address of the Contractor, together with an itemization of deductions from gross wages.
- B. Termination-Employees who are laid-off or discharged for cause shall be paid in full for that which is due them at the time of termination. The Contractors shall also provide the employee with a written statement setting forth the date of lay off or discharge.

SECTION 7. EMERGENCY WORK SUSPENSION

A Contractor or PMF may, if considered necessary for the protection of life and /or safety of employees or others, suspend all or a portion of Project Work. In such instances, employees will be paid for actual time worked; provided, however, that when a Contractor request that employees remain at the job site available for Work, employees will be paid for "stand-by" time at their hourly rate of pay.

SECTION 8. INJURY/DISABILITY

An employee who, after commencing Work, suffers a work-related injury or disability while performing work duties, shall received no less than 8 hours wages for that day. Further, the employee shall be rehired at such time as able to return to duties provided there is still work available on the Project for which the employee is qualified and able to perform.

SECTION 9. TIME KEEPING

A Contractor may utilize brassing or other systems to check employees in and out. Each employee must check in and out. The Contractor will provide adequate facilities for checking in and out in an expeditious manner.

SECTION 10. MEAL PERIOD

A Contractor shall schedule an unpaid period of not more than 1/2 hour duration at the Work location between the 3rd and 5th hour of the scheduled shift. A Contractor may, for efficiency of operation, establish a schedule which coordinates the meal periods of two or more crafts. If an employee is required to work through the meal period, the employee shall be compensated in a manner established in the applicable Schedule A.

SECTION 11. BREAK PERIODS

There will be not rest periods, organized coffee breaks or other non-working time established during working hours. Individual coffee containers will be permitted at the employee's Work location. Local area practice will prevail for coffee breaks that are not organized.

ARTICLE 13 – APPRENTICES

SECTION 1. RATIOS

Recognizing the need to maintain continuing supportive programs designed to develop adequate numbers of competent workers in the construction industry and to provide craft entry opportunities for minorities, women and economically disadvantaged non-minority males, Contractors will employ apprentices in their respective crafts to perform such work as is within their capabilities and which is customarily performed by the craft in which they are indentured. Contractors may utilize apprentices and such other appropriate classifications as are contained in the applicable Schedule A in a ratio not to exceed 25% of the work force by craft (without regard to whether a lesser ratio is set forth in Schedule A), unless the applicable Schedules A provide for a higher percentage. Apprentices and such other classifications as are appropriate shall be employed in a manner consistent with the provisions of the appropriate Schedule A.

SECTION 2. DEPARTMENT OF LABOR

To assist the Contractors in attaining a maximum effort on this Project, the Unions agree to work in close cooperation with, and accept monitoring by, the New Jersey State and Federal Departments of Labor to ensure that minorities, women, or economically disadvantaged are afforded opportunities to participate in apprenticeship programs which result in the placement of apprentices on this Project. To further ensure that this Contractor effort is attained, up to 50% of the apprentices placed on this Project should be first year, minority, women or economically disadvantaged apprentices. The Local Unions will cooperate with Contractor request for minority, women or economically disadvantaged referrals to meet this Contractor effort.

ARTICLE 14 - SAFETY PROTECTION OF PERSON AND PROPERTY

SECTION 1. SAFETY REQUIREMENTS

Each Contractor will ensure that applicable OSHA requirements and other requirements set forth in the contract documents are at all times maintained on the Project and the employees and Unions agree to cooperate fully with these efforts. Employees must perform their work at all times in a safe manner and protect themselves and the property of the Contractor and the Owner from injury or harm. Failure to do so will be grounds for discipline, including discharge.

SECTION 2. CONTRACTOR RULES

Employees covered by this Agreement shall at all times be bound by the reasonable safety, security, and visitor rules as established by the Contractors and the PMF for this Project. Such rules will be published and posted in conspicuous places throughout the Project.

SECTION 3. INSPECTIONS

The Contractors and PMF retain the right to inspect incoming shipments of equipment, apparatus, machinery and construction materials of every kind.

ARTICLE 15 - NO DISCRIMINATION

SECTION 1. COOPERATIVE EFFORTS

The Contractors and Unions agree that they will not discriminate against any employee or applicant for employment because of race, color, religion, sex, national origin or age in any manner prohibited by law or regulation. It is recognized that special procedures maybe established by Contractors and Local Unions and the New Jersey State Department of Labor for the training and employment of persons who have not previously qualified to be employed on construction projects of the type covered by this Agreement. The parties to this Agreement will assist in such programs and agree to use their best efforts to ensure that the goals for female and minority employment are met on this Project.

SECTION 2. LANGUAGE OF AGREEMENT

The use of the masculine or feminine gender in this Agreement shall be construed as including both genders.

ARTICLE 16 - GENERAL TERMS

SECTION 1. PROJECT RULES

The Project Management Firm and the Contractors shall establish such reasonable Project rules as are appropriate for the good order of the Project, provided they do not violate the terms of this agreement. These rules will be explained at the pre-job conference and posted at the Project site and may be amended thereafter as necessary. Failure of an employee to observe these rules and regulations shall be grounds for discipline, including discharge. The fact that no order was posted prohibiting a certain type of misconduct shall not be a defense to an employee disciplined or discharged for such misconduct when the action taken is for cause.

SECTION 2. TOOLS OF THE TRADES

The welding/cutting torch and chain fall are tools of the trade having jurisdiction over the work performed. Employees using these tools shall perform any of the Work of the trade. There shall be no restrictions on the emergency use of any tools or equipment by any qualified employee or on the use of any tools or equipment for the performance of work within the employee's jurisdiction.

SECTION 3. SUPERVISION

Employees shall work under the supervision of the craft foreperson or general foreperson.

SECTION 4. TRAVEL ALLOWANCES

There shall be no payments for travel expenses; travel time, subsistence allowance or other such reimbursements or special pay except as expressly set forth in this Agreement and in Schedule A limited to travel expenses.

SECTION 5. FULL WORK DAY

Employees shall be at their staging area at the starting time established by the Contractor and shall be returned to their staging area by quitting time after performing their assigned functions under the supervision of the Contractor. The signatories reaffirm their policy of a fair day's work for a fair day's wage.

SECTION 6. COOPERATION

The Project Management Firm and the Unions will cooperate in seeking any New Jersey statutory Department of Labor approvals that may be required for implementation of any terms of this Agreement.

ARTICLE 17 - SAVINGS AND SEPARABILITY

SECTION 1. THIS AGREEMENT

In the event that the application of any provision of this Agreement is enjoined, on either an interlocutory or permanent basis, or otherwise found in violation of law, the provision involved shall be rendered, temporarily or permanently, null and void but the remainder of the Agreement shall remain in full force and effect. In such event, the Agreement shall remain in effect for contracts already bid and awarded or in construction where the Contractor voluntarily accepts the Agreement. The parties to this Agreement will enter into negotiations for a substitute provision in conformity with the law and the intent of the parties for contracts to be let in the future.

SECTION 2. THE BID SPECIFICATIONS

In the event that the General Contractor's bid specifications, or other action, requiring that a successful bidder become signatory to this Agreement is enjoined, on either an interlocutory or permanent basis, or otherwise found in violation of law such requirement shall be rendered, temporarily or permanently, null and void but the Agreement shall remain in full force and effect to the extent allowed by law. In such event, the Agreement shall remain in effect for contracts already bid and awarded or in constructions where the Contractor voluntarily accepts the Agreement. The parties will enter in to negotiations as to modifications to the Agreement to reflect the court action taken and the intent of the parties for contracts to be let in the future.

SECTION 3. NON-LIABILITY

In the event of an occurrence referenced in Section 1 or Section 2 of this Article, neither UC, the Project Management Firm, or any Contractor, or any signatory Union shall be liable, directly or indirectly, for any action taken, or not taken, to comply with any court order, injunction or determination. Project bid specifications will be issued in conformance with court orders in effect and no retroactive payments or other action will be required if the original court determination is ultimately reversed.

SECTION 4. NON-WAIVER

Nothing in this Article shall be construed as waiving the prohibitions of Article 7 as to signatory Contractors and signatory Unions.

ARTICLE 18 – FUTURE CHANGES IN SCHEDULE “A” AREA CONTRACTS

SECTION 1. CHANGES TO AREA CONTRACTS

- A. Schedules “A” to this Agreement shall continue to full force and effect until the Contractor and/or Union parties to the Area Collective Bargaining Agreements which are the basis for Schedules A notify the General Contractor in writing of the mutually agreed upon changes in provisions of such agreements which are applicable to the Project, and their effective dates.
- B. It is agreed that any provisions negotiated into Schedules “A” collective bargaining agreements will not apply to work on this Project than those uniformly required of contractors for construction work normally covered by those agreements; nor shall any provisions be recognized or applied on this Project if it may be construed to apply exclusively, or predominantly, to work covered by this Project Agreement.
- C. Any disagreement between signatories to this Agreement over the incorporation into Schedules “A” of provisions agreed upon in the negotiations of Area Collective Bargaining Agreements shall be resolved in accordance with the procedure set forth in Article 9 of this Agreement.

SECTION 2. LABOR DISPUTES DURING AREA CONTRACT NEGOTIATIONS

The Unions agree that there will be not strikes, work stoppages, sympathy actions, picketing, slowdowns or other disruptive activity or other violations of Article 7 affecting the Project by any Local Union involved in the renegotiations of Area Local Collective Bargaining Agreements nor shall there be any lock-out on the Project affective a Local Union during the course of such renegotiations.

IN WITNESS WHEREOF the parties hereto have, either individually or by their duly authorized representative, caused this Agreement to be executed and to become effective as of the _____ day of _____, 2011.

ATTEST:

JAMES E. PELLETTIERE, CLERK
Board of Chosen Freeholders

APPROVED AS TO FORM

ROBERT E. BARRY, ESQ.
County Counsel

ATTEST:

Corporate Secretary/Notary Public

Print Name

ATTEST:

Corporate Secretary/Notary Public

Print Name

COUNTY OF UNION

By: _____
ALFRED J. FAELLA
County Manager

CONTRACTOR

President/Authorized Signatory

Print Name

Print Title

CONSTRUCTION MANAGER FIRM

President/Authorized Signatory

Print Name

Print Title

UNION COUNTY BUILDING & CONSTRUCTION TRADES COUNCIL

and on behalf of the following: Asbestos Local #32, Boilermakers Local #28, Bricklayers Local #4, Carpenters Local #715, Electricians Local #102, Elevator Construction Local #1, Ironworkers Local #480, Laborers Local #394, Operating Engineers Local #825, Painters Local #711, Plumbers Local #24, Roofers Local #4, Sheet Metal Workers Local #22, Sheet Metal Workers Local #25, Sheet Metal Workers Local #137, Sprinkler Fitters Local #696, Steam Fitters Local #475, Teamsters Local #408

ATTEST:

Witness

Print Name

LETTER OF ASSENT REQUIRED FROM ALL SUBCONTRACTORS
(OF ANY TIER)

County of Union Project Labor Agreement

The undersigned, as a Contractor(s) or Subcontractor(s) on a Contract which is part of the _____ Project, for and in consideration of the award of a Contract to perform Work on said Project, and in further consideration of the mutual promises made in the Project Labor Agreement, a copy of which was received and is acknowledged, hereby:

- (1) On behalf of itself and all its employees, accepts and agrees to be bound by terms and conditions of the Project Labor Agreement, together with any and all amendments and supplements now existing or which are later made thereto, and understands that any act of non-compliance with all such terms and conditions, including but not limited to, evidence of compliance with the pre-employment controlled substance testing, will subject the non-complying Contractor or employee(s) to being prohibited from the Project Site until full compliance is obtained.

- (2) Certified that it has no commitments or agreements, which would preclude its full compliance with the terms and conditions of said Project Labor Agreement.

- (3) Agrees to secure from any Contractor(s) (as defined in said Project Labor Agreement) which is or becomes a Subcontractor(s) (of any tier), a duly executed Letter of Assent in form identical to this document prior to commencement of any Work.

DATED:

Name of Contractor/Company

Signature of Authorized Representative

Print Name and Title

General Contractor

Contract Number (BA#)

*** To be signed if Project is subject to Project Labor Agreement – See Section 55.**

57. BID PROTEST – LEGAL FEES AND COSTS

In the event a Bidder unsuccessfully challenges a Bid Submission by filing an action in a court of law concerning same, said Bidder shall be responsible for payment of reasonable legal costs and fees incurred by the County relating to said protest.

58. AMERICAN GOODS AND PRODUCTS WHERE POSSIBLE

Bidder shall comply with the requirements of NJSA 40A:11-18 and use only manufactured and farm products of the United States, wherever available, for the Project.

59. NEW JERSEY PAY-TO-PLAY REQUIREMENTS

This Contract is required by law to be publicly advertised for bids. As such, lists of political contributions pursuant to NJSA 19A:44A-1 et. seq. are NOT REQUIRED to be provided with the bids.

60. STATEMENT OF EQUIPMENT TO BE USED IN CONSTRUCTION

Pursuant to NJSA 40A:11-20 entitled Certificate of Bidder Showing Ability to Perform Contract, the County requires a Certification from all bidders submitting a bid showing that the Bidder owns, leases, or controls all necessary equipment required by the Project Plans and Specifications. All bidders shall provide this information at the time of the bid opening using the attached form entitled, "CERTIFICATE OF BIDDER SHOWING ABILITY TO PERFORM CONTRACT".

If the Bidder is not the actual owner of the equipment, it shall state the source from which the equipment will be obtained and shall attach a certificate from the owner or person in control of the equipment demonstrating that the equipment owner has granted the Bidder control of the requisite equipment during such time as may be necessary for completion of the portion of the contract for which the equipment is necessary.

61. NEW JERSEY SALES AND USE TAX REQUIREMENTS,

Contractors are required to comply with the following:

New Jersey Sales and Use Tax Requirements: All contractors with subcontractors, or any of their affiliates, who enter into contracts for the provision of goods or services with or for New Jersey local government entities, are required to collect and remit to the New Jersey Director of Taxation in the Department of the Treasury the use tax due on all of their sales of tangible personal property delivered into the State of New Jersey pursuant to the "Sales and Use Tax Act," (NJSA 54:32B-1 et, seq.), regardless of whether the tangible personal property is intended for a contract with the contracting agency. This tax shall be remitted for the term

of the Contract.

For purposes herein “affiliate” shall mean any entity that: (a) directly, indirectly, or constructively controls another entity, (b) is directly, indirectly, or constructively controlled by another entity, or (c) is subject to the control of a common entity. For purposes of the immediately preceding sentence, an entity controls another entity if it owns, directly or indirectly, more than fifty percent (50%) of the ownership interest in that entity. NJSA 52:32-44(g)(3).

ALFRED J. FAELLA
COUNTY MANAGER

MICHAEL M. YUSKA, DIRECTOR
DIVISION OF PURCHASING

BID DOCUMENT SUBMISSION CHECKLIST

ALL SIGNATURES AND SEALS SHALL BE ORIGINALS UNLESS OTHERWISE SPECIFIED
BID SHEETS SHOULD NOT BE SUBMITTED DOUBLE SIDED PAGES, (SINGLE SIDE ONLY)

EACH BIDDER SHOULD COMPLETE THIS FORM AND INITIAL EACH ENTRY.

DATE COMPLETED: _____

IN ACCORDANCE WITH THE BID SPECIFICATIONS I HAVE REVIEWED, COMPLETED / EXECUTED AND INCLUDED THE FOLLOWING FORMS:

_____ Bid Form Page (**Signed, Dated and Bid on all alternatives applicable to the Work**).

_____ Security in the form of:

_____ Bid bond in an amount equal to 10% of the total amount of this bid not to exceed \$20,000.00; or

_____ Certified check or cashier's check in the amount of 10% of this bid not to exceed \$20,000.00

_____ Consent of Surety form signed by a Surety Company if the total amount of your Bid is over \$36,000.00. If your bid is accepted, the Surety Company that provided the Consent shall be required to furnish a Performance, Labor and Materials Bond in the amount of 100% of the award of the contract.

The County of Union has provided its Consent of Surety form for your use. The use of this form by your Surety Company will expedite the bid review process and eliminate the possibility of having your bid rejected. If, however, you should need to use another form, please use language similar to that used on the Union County form and avoid making any additions or deletions to the Union County form language. In lieu of the Consent of Surety you may submit a Certified Check in the full amount of the bid.

_____ STATEMENT OF BIDDER OWNERSHIP. Pursuant to N.J.S.A. 52:25-24.2, which includes **BOTH** of the following documents:

- Bidder Signature Page
- Bidder Disclosure Statement (**Fill out 2 pages completely**)

_____ SUBCONTRACTOR IDENTIFICATION. Pursuant to N.J.S.A. 40A:11-16, which includes **BOTH** of the following documents:

- Subcontractor Identification Statement: List of Subcontractors (**only for certain types of work**)
- Subcontractor Identification Certification

_____ Acknowledgement of Addendum form: (**This form is to be used only when an addendum has been added to the specifications**).

_____ A copy of the State of New Jersey Department of the Treasury, Division of Revenue, **Business Registration Certificate ("BRC")** should be included with the bids as it must be received by the County prior to the award of the contract. The BRC provided must show that the Bidder was registered at the time of receipt of bids or the bid will be rejected.

_____ A copy of the State of New Jersey Department of the Treasury, Division of Revenue, **Business Registration Certificate ("BRC")** of all named or listed subcontractors (List of Subcontractors) in a Construction bid should be included with the bid as the BRC(s) must be received by the County prior to the award of the contract. Each subcontractor's certificate provided must show that the subcontractor was registered at the time of the receipt of bids or the bid will be rejected.

- _____ Affirmative Action Requirement
- _____ Experience Statement
- _____ Certificate of Bidder showing ability to perform Contract
- _____ Non-Collusion Affidavit – Fill out completely and notarize
- _____ Certificates from New Jersey Department of Labor – Public Works Contractor Registration Act. **(Only for certain types of work)**
- _____ Federal Attachments **(If applicable)**
- _____ NJDPMC Certificate / Notice of Classification **(If applicable)**
- _____ Americans with Disabilities Act
- _____ Statement of Bidder's Qualifications
- _____ Contractor Performance Record
- _____ Affidavit Regarding List of Debarred, Suspended or Disqualified Bidders
- _____ Prior Negative Experience Questionnaire
- _____ Contractor's Certification of Compliance – New Jersey Prevailing Wage Act
- _____ Uncompleted Contracts Affidavit **(For Bidder, if applicable) MUST ALSO PROVIDE DPMC FORM 701**
- _____ Certificate of Insurance Statement
- _____ Collection of Use Tax on Sales to Local Government Statement
- _____ Acknowledgement of Project Labor Agreement (PLA)
- _____ Time of Completion
- _____ Disclosure of Investment Activities in Iran form

I HAVE TAKEN THE FOLLOWING ACTIONS:

- _____ Visited the site and attended the Pre-Bid Meeting **(Where applicable)**
- _____ Reviewed the Contract Documents (including any permits the County or its professionals may have obtained), Work, Site, Locality, and Local Conditions and Laws and Regulations that in any manner may affect Cost, Progress, Performance or Furnishing of Work.
- _____ Reviewed Bond Requirements
- _____ Provided Proof of Compliance with New Jersey Prevailing Wage Act
- _____ Read and Executed, upon Contract award, Project Labor Agreement (PLA) **(Applicable to Projects, the total cost of which exceed \$5 Million of phasing)**
- _____ Reviewed Form of Owner/Contractor Agreement and General Conditions to the Contract

NOTE: SPECIAL ATTENTION IS TO BE GIVEN TO SECTION 56 OF THE GENERAL SPECIFICATIONS (PROJECT LABOR AGREEMENT)

NOTE: QUESTIONS PERTAINING TO THIS BID ARE TO BE DIRECTED TO DIVISION OF ENGINEERING AT 908-789-3675

BIDDING DOCUMENTS

The Bidding Documents consist of the following items:

- **ADDENDA, if issued**
- **CLARIFICATIONS, if issued**
- **INSTRUCTION TO BIDDERS**
- **BID FORM**
- **OWNER-CONTRACTOR AGREEMENT (AIA 101) AND GENERAL CONDITIONS (AIA 201)**
- **SPECIFICATIONS: As outlined in the Table of Contents and included in the Project Manual.**
- **DRAWINGS: As per List of Drawings, indicated on the Project Title Sheet.**

Bidder's Name _____

BID FORM

I/We have carefully examined the plans, specifications, and advertisement for bid for the

**INSTALLATION OF GARDEN SPRINKLER SYSTEM
AT CHATFIELD GARDENS
WARINANCO PARK, BOROUGH OF ROSELLE
COUNTY OF UNION, NEW JERSEY**

BA No. 23-2015; Union County Engineering Project No.2014-019

that is on file in the Union County Division of Engineering. I/We have inspected the site of the work and will contract to do all the work and furnish all materials mentioned in said plans and specifications. Work will be accomplished in the manner prescribed therein.

BASE BID ITEMS:

ITEM	DESCRIPTION	UNITS	CONTRACT QUANTITY	UNIT PRICE	AMOUNT
1	Install Sprinkler System, Complete in Place and in Operating Condition, as detailed on the Plan	LUMP SUM	1		
2	Install 1,250 +/- L.F. Direct Burial of Electric Cables from Power Source across Ball Field for Controller, Rain Sensor and Light Fixtures, Complete in Place, Including Controller	LUMP SUM	1		
3	Restore Grassed Areas Disturbed During Installation of Sprinkler System and Stone Pavers	LUMP SUM	1		
4	Furnish Staff Instruction on Operation and Maintenance of Sprinkler System	LUMP SUM	1		
5	Repair Cracks in Existing Paved Walks	LUMP SUM	1		
6	Place Asphalt Tack Coat on Existing Asphalt Surface	LUMP SUM	1		
7	Furnish and install Bituminous Concrete Leveling Course on Existing Paved Walks, 1-Inch Thick, FABC, Mix I-4	TONS	32		
8	Furnish and install Quarry Dust 2-Inch Thick	TONS	40		
9	Furnish and Install Paving Stones, Complete in Place, Including Polymer Sand Joint Filler, Base and Leveling Course	S.F.	4,140		

10	Reset Twelve Drain Inlets to New Elevations	LUMP SUM	1		
11	Furnish and install Plastic Border along all Edges of New Cobblestone Pavers	L.F.	1,324		
12	Furnish and install New Cobblestone Pavers next to Monumental Bench, Complete in Place, including Concrete Base	S.F.	64		
13	Sandblast Slate Walkway, Remove Paint and Power Wash to Original Surfaces	S.F.	240		
14	Relocate Existing Sign as Directed By Engineer	UN	1		
15	Furnish and install Decorative Fountain, Complete in Place, including Receptacles, Electrical Wiring, all Electrical Connections and 2.5'x2.5' Concrete Base	LUMP SUM	1		
16	Refurnish the Monumental Bench as Detailed in the Plan	LUMP SUM	1		
17	Furnish and install Pole Mounted Light Fixtures- Single, Complete in Place, Including 340 +/- L.F. Direct Burial Electrical Wiring and Concrete Foundation	UN	4		

TOTAL BASE BID ITEMS

Written

Figures

BID CONTINGENCY: (To be used if and when directed by the County)

Fifteen Thousand Dollars

Written

\$15,000.00

Figures

TOTAL BASE BID ITEMS PLUS BID CONTINGENCY AMOUNT:

Written

Figures

NOTE: Bid Contingency may include one-half of one percent of contract amount set aside for local training if and when directed by the County.

Bidder's Name _____

CONSENT OF SURETY
TO ACCOMPANY PROPOSAL (BID)

_____ (hereinafter called Surety), organized and existing under the laws of the State of _____ duly authorized and qualified to transact business in the State of New Jersey, in consideration of the sum of One Dollar (\$1.00), lawful money of the United States of America, to it in hand paid, receipt whereof is hereby acknowledged, and in consideration, hereby certifies and agrees that if the contract for which the attached proposal is made be awarded to _____ (hereinafter called Contractor) for the performance of certain work and labor or the supplying of certain materials, or both, as more particularly set forth in said proposal and described for purposes of this instrument as a proposal for _____ to the COUNTY OF UNION and if Contractor shall enter into the contract, Surety will become bound as surety for its faithful performance, labor and material payment and will provide the Contractor with a performance, labor and material payment bond in the full amount of the contract price.

NOTE:
Expiration date
Needed if Annual
Surety

NAME OF INSURANCE COMPANY

ADDRESS: _____

ORIGINAL SIGNATURE
ATTORNEY-IN-FACT FOR INSURANCE CO.

NOTE: PROOF OF AUTHORITY OF OFFICERS OF SURETY COMPANY TO EXECUTE THIS DOCUMENT MUST BE SUBMITTED.

BIDDER SIGNATURE PAGE

THE BIDDER MUST READ THE FOLLOWING INSTRUCTIONS TO COMPLETE THIS PAGE:

1. If doing business under a **trade name, partnership or a sole proprietorship**, you must submit the bid under exact title of the trade name, partnership, or proprietorship, and the bid must be signed by either the **owner**, or a **partner** and **witnessed** by a **notary public**.
2. If a **Corporation**, the bid must be signed by the **President** or **Vice President** and **witnessed** by a **Corporate Secretary** (corporate title must be exact) and **affix corporate seal**. If a Corporate Secretary does not exist, President or Vice President's signature shall be witnessed by a Notary Public.
3. Other persons **authorized** by **corporate resolution** to execute agreements in its behalf may also sign the bid documents (pages). **Copy of a resolution must accompany the bid.**
4. The person who signs this bid form **must also** sign the **Non-Collusion Affidavit**.
5. You **cannot** witness your own signature.

NAME OF BIDDER

ADDRESS OF BIDDER

**ORIGINAL SIGNATURE
CORPORATE SECRETARY**

**PRINT NAME AND TITLE
CORPORATE SECRETARY**

TEL: _____
FAX: _____
E-Mail: _____

BY: _____
ORIGINAL SIGNATURE

Corporate Seal

PRINT OR TYPE NAME AND TITLE

WARNING: IF YOU FAIL TO FULLY, ACCURATELY, AND COMPLETELY SUPPLY THE INFORMATION REQUESTED ON THIS PAGE, YOUR BID MAY BE REJECTED.

Bidder's Name _____

BIDDER DISCLOSURE STATEMENT

N.J.S.A. 52:25-24.2 (P.L. 1977 c. 33)

Failure of the bidder/respondent to submit the required information is cause for automatic rejection.

CHECK ONE

I certify that the list below contains the names and home addresses of all stockholders holding 10% or more of the issued and outstanding stock of the undersigned.

OR

I certify that no one stockholder owns 10% or more of the issued and outstanding stock of the undersigned.

LEGAL NAME OF BIDDER: _____

Check the box that represents the type of business organization:

Partnership

Corporation

Sole Proprietorship

Limited Partnership

Limited Liability Company

Limited Liability Partnership

Subchapter S Corporation

Complete if the bidder/respondent is one of the 3 types of corporations:

Date Incorporated: _____ **Where Incorporated:** _____

BUSINESS ADDRESS:

Street Address	City	State	Zip Code
-----------------------	-------------	--------------	-----------------

Telephone #

Fax #

Pursuant to N.J.S.A. 52:25-24.2, also referred to as P.L. 1977, c. 33, no corporation or partnership shall be awarded any contract for the performance of any work or the furnishing of any materials or supplies, unless, prior to the receipt of the bid or accompanying the bid of said corporation or partnership, there is submitted a statement setting forth the names and addresses of all stockholders in the corporation or partnership who own ten (10) percent or more of its stock of any class, or of all individual partners in the partnership who own a ten (10) percent or greater interest therein. Further, the Attorney General has concluded that the provisions of N.J.S.A. 52:25-24.2, in referring to corporations and partnerships, are intended to apply to all forms of corporations and partnerships, including, but not limited to, limited partnerships, limited liability corporations, limited liability partnerships, and Subchapter S corporations.

Bidders are required to disclose whether they are a partnership, corporation or sole proprietorship. The Stockholder Disclosure Certification form shall be completed, signed and notarized. Failure of the bidder to submit the required information is cause for automatic rejection of the bid.

BIDDER DISCLOSURE STATEMENT – (Continued)

N.J.S.A. 52:25-24.2, also referred to as **P.L. 1977, Ch. 33**, requires all corporate and partnership bidders for state, county, municipal or school district contracts to submit a list of names and addresses of all stockholders owning 10% or more of their stock or 10% or more of the stock of the corporate stockholders or in the case of partnership the names and addresses of those partners owning 10% or greater interest in the partnership. Furthermore, the Union County Board of Chosen Freeholders requires a statement from all Bidders, which must indicate all Principals of Bidders.

You must set forth the name, home address, title and percentage of ownership of every person who is an owner of the bidder. You must also set forth the business form of the bidder.

II. Principals:

	NAME	HOME ADDRESS	TITLE	% OF OWNERSHIP
1.				
2.				
3.				
4.				

If one or more of the owners of the Bidder is itself a corporation or partnership, then for that corporation or partnership owner you must set for the name, home address, title and percentage of ownership of every person who is an owner of that corporation or partnership.

	NAME	HOME ADDRESS	TITLE	% OF OWNERSHIP
1.				
2.				
3.				
4.				

Bidder's Name _____

SUBCONTRACTOR IDENTIFICATION STATEMENT

LIST OF SUBCONTRACTORS

This form is ONLY required for plumbing and gas fitting, steam and hot water heating and ventilating apparatus, steam power plants, electrical work, structural steel, ornamental iron work, and any other trades required to be identified by the specifications.

CHECK THIS BOX IF NONE OF THE ABOVE LISTED TRADES OR THOSE REQUIRED TO BE IDENTIFIED IN THE SPECIFICATIONS ARE TO BE USED TO PERFORM THE WORK

In compliance with N.J.S.A. 40A:11-16 and the bid specifications, the undersigned hereby lists the name or names of the following subcontractors:

Company Name: _____

Address: _____

Telephone: _____ Subcontract Amount: \$ _____

Specific Scope of Work Subcontracted: _____

License No. _____

Company Name: _____

Address: _____

Telephone: _____ Subcontract Amount: \$ _____

Specific Scope of Work Subcontracted: _____

License No. _____

Company Name: _____

Address: _____

Telephone: _____ Subcontract Amount: \$ _____

Specific Scope of Work Subcontracted: _____

License No. _____

IF MORE THAN THREE SUBCONTRACTORS, PLEASE COPY THIS SHEET AS NECESSARY AND ATTACH TO THE BID PACKAGE.

(Continued on following page)

Bidder's Name _____

SUBCONTRACTOR IDENTIFICATION CERTIFICATION

Note the law does not permit the listing of alternate subcontractors. However, multiple subcontractors for the same trade are permitted to be named provided the bidder meets the following requirements:

- Bidder identifies each subcontractor named for that category;
- Bidder states the scope of work, goods and services (the portion of the work) to be performed by each subcontractor; and
- Bidder provides the price quote provided by each subcontractor.

The bidder is advised that any change of subcontractor(s) from ones listed herein is subject to the County's approval. Change of subcontractor(s) will be approved only if made for good cause and not as a result of an arbitrary purpose.

The undersigned Bidder certifies and declares that the subcontractors listed above shall be used as subcontractors to complete certain portions of the work in this project as set forth in N.J.S.A. 40A: 11-16.

Witness

Date _____

NAME OF BIDDER

ADDRESS

By: _____
ORIGINAL SIGNATURE ONLY

PRINT NAME AND TITLE

Bidder's Name: _____

ACKNOWLEDGMENT OF ADDENDUM

COUNTY OF UNION

(Name of Construction /Public Works Project)

(Project or Bid Number)

Pursuant to N.J.S.A. 40A:11-23.1a., the undersigned bidder, hereby acknowledges receipt of the following notices, revisions, or addenda to the bid advertisement, specifications or bid documents. By indicating date of receipt, bidder acknowledges the submitted bid takes into account the provisions of the notice, revision or addendum. Note that the County of Union's record of notice to bidders shall take precedence and that failure to include provisions of changes in a bid proposal may be subject for rejection of the bid.

Local Unit Reference Number or Title of Addendum/Revision	How Received (mail, fax, pick- up, etc.)	Date Received

ACKNOWLEDGMENT BY BIDDER:

NAME OF BIDDER: _____

ORIGINAL SIGNATURE: _____

PRINTED NAME AND TITLE: _____

DATE: _____

CONTRACTOR BUSINESS REGISTRATION CERTIFICATE

New Mandatory Requirement - Effective 1/18/2010

The recently enacted **P.L. 2009, c.315**, requires that effective January 18, 2010; a contracting agency must receive proof of the bidder's business registration prior to the award of a contract. However, the proof must show that the bidder was in fact registered with the State of New Jersey Department of the Treasury, Division of Revenue and obtained the business registration prior to the receipt of bids.

If subcontractors are named on the bid, proof of the business registration for each subcontractor must be provided prior to the award of bid. Similarly to the bidder, the proof must show that each subcontractor was registered with the State of New Jersey Department of the Treasury, Division of Revenue and obtained the business registration prior to the receipt of bids.

Proof of business registration shall be

- A copy of a Business Registration Certificate issued by the Department of the Treasury, Division of Revenue; or
- A copy of the web version provided by the NJ Division of Revenue, or

Register online at www.nj.gov/treasury/revenue/taxreg.htm. Click the "online" link and then select "Register for Tax and Employer Purposes or call the Division at 609-292-1730.

Note: A NJ Certificate of Authority is not acceptable.

FAILURE to submit proof of registration of the bidder or any subcontractor named on the bid prior to the award of a contract shall be cause to reject the bids.

FAILURE of the bidder or any subcontractor named on the bid to be registered prior to the receipt of bids is cause for a **MANDATORY REJECTION** of bids. (A NON-WAIVABLE DEFECT). This covers construction work as well as non-construction bids.

IN ADDITION:

The contractor shall provide written notice to all **subcontractors and suppliers** not specifically named on the bid of the responsibility to register and submit proof of business registration to the contractor. The requirement of proof of business registration extends down through all levels (tiers) of the project.

Before final payment on the contract is made by the contracting agency, the contractor shall submit an accurate list and the proof of business registration of each subcontractor or supplier used in the fulfillment of the contract, or shall attest that no subcontractors were used.

For the term of the contract, the contractor and each of its affiliates and a subcontractor and each of its affiliates [N.J.S.A. 52:32-44(g)(3)] shall collect and remit to the Director, New Jersey Division of Taxation, the use tax due pursuant to the Sales and Use Tax Act on all sales of tangible personal property delivered into this State, regardless of whether the tangible personal property is intended for a contract with a contracting agency.

A business organization that fails to provide a copy of a business registration as required pursuant to section 1 of P.L.2001,c.134 (C.52:32-44 et al.) or subsection e. or f. of section 92 of P.L.1977,c.110 (C.5:12-92), or that provides false business registration information under the requirements of either of those sections, shall be liable for a penalty of \$25 for each day of violation, not to exceed \$50,000 for each business registration copy not properly provided under a contract with a contracting agency.

Bidder's Name _____

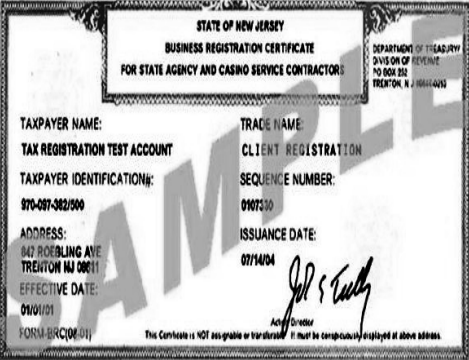

BUSINESS REGISTRATION
Mandatory Requirement

P.L. 2009, c.315, requires that effective January 18, 2010; a contracting agency must receive proof of the bidder's business registration prior to the award of a contract. However, the proof must show that the bidder was in fact registered with the State of New Jersey Department of the Treasury, Division of Revenue and obtained the business registration prior to the receipt of bids.

If subcontractors are named on the bid, proof of the business registration for each must be provided prior to the award of a contract. Similarly to the bidder, the proof must show that each subcontractor was registered with the State of New Jersey Department of the Treasury, Division of Revenue and obtained the business registration prior to the receipt of bids.

Proof of business registration shall be:

- A copy of a Business Registration Certificate issued by the Department of Treasury, Division of Revenue; or
- A copy of the web printed version provided by the NJ Division of Revenue

 <p>STATE OF NEW JERSEY BUSINESS REGISTRATION CERTIFICATE FOR STATE AGENCY AND CASINO SERVICE CONTRACTORS</p> <p>TAXPAYER NAME: TAX REGISTRATION TEST ACCOUNT TRADE NAME: CLIENT REGISTRATION</p> <p>TAXPAYER IDENTIFICATION#: 070-007-002/000 SEQUENCE NUMBER: 0707310</p> <p>ADDRESS: 847 ROEBLING AVE TRENTON NJ 08611 ISSUANCE DATE: 07/14/04</p> <p>EFFECTIVE DATE: 01/01/01</p> <p>FORM BRC(08/04)</p> <p><i>John S. Early</i> Acting Director</p> <p><small>This Certificate is NOT assignable or transferable. It must be conspicuously displayed at above address.</small></p>	 <p align="center">STATE OF NEW JERSEY BUSINESS REGISTRATION CERTIFICATE</p> <p>Taxpayer Name: TAX REG TEST ACCOUNT</p> <p>Trade Name:</p> <p>Address: 847 ROEBLING AVE TRENTON, NJ 08611</p> <p>Certificate Number: 1093907</p> <p>Date of issuance: October 14, 2004</p> <p>For Office Use Only: 20041014112623533</p>
---	--

ATTACH BRC HERE

Bidder's Name _____

AFFIRMATIVE ACTION REQUIREMENT

REQUIRED AFFIRMATIVE ACTION EVIDENCE

General Requirements of P.L. 1975, c. 127: You are hereby put on notice that:

CONSTRUCTION CONTRACTS: The successful contractor must submit within three (3) days of the notice of intent to award or the signing of the contract the initial project manning report (A.A.201). This report should be submitted at the time the signed contract is returned to the County of Union. Attention: *Affirmative Action Officer*.

If the successful contract does not submit the initial project manning report (A.A.201) within the three (3) days from the time the signed contract is returned to the County of Union, the County of Union WILL declare the contractor non-responsive and award the contract to the next lowest responsible bidder.

NAME OF BIDDER

ORIGINAL SIGNATURE

PRINT OR TYPE NAME AND TITLE

DATE THIS FORM IS COMPLETED

EXPERIENCE STATEMENT

I hereby certify that my company has performed the following private or public work, which is relevant to this bid. I further certify that my company has never defaulted under any contract. Should you not sign this form due to prior defaults, please provide details on an attached sheet.

Give name of project, owner's name and address, contact person, and phone number, type of work, when started and completed, and dollar amount of work.

Witness

Date

NAME OF BIDDER

ADDRESS

By: _____
ORIGINAL SIGNATURE ONLY

PRINT NAME AND TITLE

YOU MAY ATTACH ADDITIONAL SHEETS, BUT YOU MUST SIGN AND WITNESS THIS SHEET.

Bidder's Name _____

CERTIFICATE OF BIDDER SHOWING ABILITY TO PERFORM CONTRACT

STATE OF NEW JERSEY / _____)
Specify, if Other) SS:
COUNTY OF _____)

I, _____, of the (City, Town, Borough, etc.) of _____ State of _____, of full age, being duly sworn according to law on my oath depose and say that:

I am _____ of the firm of _____, the Bidder making the proposal for the above named Project ("Contractor"), and that I executed said proposal with full authority to do so; and that said Contractor, pursuant to N.J.S.A. 40A:11-20, certifies that it owns, leases or controls all the necessary equipment required by the Plans, Specifications and Advertisements under this Bids are asked for.

If the Bidder is not the actual owner or lessee of any such equipment, then the Bidder shall attach to this Certificate information identifying the source from which the equipment will be obtained, and such information shall be accompanied by a certificate from the owner or person in control of the equipment definitively granting to the Bidder the control of the equipment required during such time as may be necessary for the completion of that portion of the contract.

(Also type or print name of affiant under signature)

By: _____

Bidder's Name _____

NON-COLLUSION AFFIDAVIT

(N.J.S.A. 52:34-15)

STATE OF _____)
) SS: _____
COUNTY OF _____)

I _____, of the City of _____, in the County of _____, and the State of _____, of full age, being duly sworn according to law, on my oath depose and say that: I am _____ of the firm of _____, the bidder making the proposal for the above named project, and that I executed the said proposal for the above named project, and that I executed the said proposal with full authority to do so; that said bidder has not, directly or indirectly, entered into any agreement, participation in any collusion, or otherwise taken any action in restraint of free, competitive bidding in connection with the above named project; and that all statements contained in said proposal and in this Affidavit are true and correct, and made with full knowledge that the COUNTY OF UNION, NEW JERSEY relies upon the truth of the statements contained in said proposal and in the statements contained in the affidavit in awarding the contract for the said project.

I further warrant that no person or selling agency has been employed or retained to solicit or secure such contract upon an agreement or understanding for a commission, percentage, brokerage or contingent fee, except bona fide employees or bonafide established commercial or selling agencies maintained by _____ (N.J.S.A. 52:34-15).

NAME OF BIDDER

ORIGINAL SIGNATURE ONLY

NOTE: The person who signed the bidder signature page for the bidder should sign this form also.

Subscribed and sworn before me
this ____ day of _____, 200____.

Notary Public of the State of _____
My commission expires: _____

WARNING: IF YOU FAIL TO FULLY, ACCURATELY, AND COMPLETELY FILL OUT THIS AFFIDAVIT OF NON-COLLUSION, YOUR BID MAY BE REJECTED.

Contractor Registration Advisement
For Public Works Projects

A new law, known as "The Public Works Contractor Registration Act" (P.L. 1999, c.238), became effective April 11, 2000. Under the Act, no contractor/subcontractor will be permitted to bid on or engage in any contract for public work, as defined in Section 2 of P.L. 1963, c.150 (C:34:11-56.26), unless that contractor/subcontractor is registered with the New Jersey Department of Labor. The Act provides that upon registration with the Department, a public works contractor/subcontractor will be issued a certificate by the Department indicating compliance with the Act's requirements. The registration fee has been set at \$300.00 per year. Upon the effective date of the Act, public bodies will be expected to request production of such a certificate from those bidding on or engaging in public works projects.

It is important to note that the term "contractor," is defined in the, Act as, "a person, partnership, association, joint stock company, trust, corporation or other legal business entity or successor thereof who enters into a contract which is subject to the provision of the "New Jersey Prevailing Wage Act," P.L. 1963, c.150 (C.34:11-56.25, et seq.) for the construction, reconstruction, demolition, alteration, repair or maintenance of a public building regularly open to and used by the general public or a public institution, and includes any subcontractor or lower tier subcontractor as defined herein: except that, for the purposes of the act, no pumping station, treatment plant or other facility associated with utility and environmental construction, reconstruction, demolition, alteration, repair or maintenance shall be regarded as a public building regularly open to and used by the general public or a public institution."

Registration forms, copies of the Act, and other relevant information can be obtained by contacting:

Contractor Registration Unit
New Jersey Department of Labor
Division of Wage & Hour Compliance
PO Box 389
Trenton, New Jersey 08625-0389
Telephone: 609-292-9464
Fax: 609-633-8591
E-mail: contreg@dol.state.nj.us

Bidder's Name _____

AMERICANS WITH DISABILITIES ACT
EQUAL OPPORTUNITY FOR INDIVIDUALS WITH DISABILITIES

The contractor and the County of Union (hereafter "Owner") do hereby agree that the provisions of Title II of the Americans With Disabilities Act of 1990 (the "Act") (42 U.S.C.S12.101 et seq.), which prohibits discrimination on the basis of disability by public entities in all services, programs and activities provided or made available by public entities, and the rules and regulations promulgated pursuant thereto, are made a part of this contract. In providing any aid, benefit, or service on behalf of the Owner pursuant to this contract, the contractor agrees that the performance shall be in strict compliance with the Act. In the event the contractor, its agents, servants, employees, or subcontractors violate or are alleged to have violated the Act during the performance of this contract, the contractor shall defend the Owner in any action or administrative proceeding commenced pursuant to this Act. The contractor shall indemnify, protect, and save harmless the Owner, its agents, servants, and employees from and against any and all suits, claims, losses, demands, or damages of whatever kind or nature arising out of or claimed to arise out of the alleged violation. The contractor shall, at its own expense, appear, defend, and pay any and all charges for legal services and any and all costs and other expenses arising from such action or administrative proceeding or incurred in connection therewith. In any and all complaints brought pursuant to the Owner's grievance procedure, the contractor agrees to abide by any decision of the Owner which is rendered pursuant to said grievance procedure. If any action or administrative proceeding results in an award of damages against the Owner, or if the Owner incurs any expense to cure a violation of the ADA which has been brought pursuant to its grievance procedure, the contractor shall satisfy and discharge the same at its own expense.

The Owner shall, as soon as practicable after a claim has been made against it, give written notice thereof to the contractor along with full and complete particulars of the claim. If any action or administrative proceeding is brought against the Owner or any of its agents, servants, and employees, the Owner shall expeditiously forward or have forwarded to the contractor every demand, complaint, notice, summons, pleading, or process received by the Owner or its representatives.

It is expressly agreed and understood that any approval by the Owner of the services provided by the contractor pursuant to this contract will not relieve the contractor of the obligation to comply with the Act and to defend, indemnify, protect, and save harmless the Owner pursuant to this paragraph.

It is further agreed and understood that the Owner assumes no obligation to indemnify or save harmless the contractor, its agents, servants, employees and subcontractors for any claim which may arise out of their performance of this Agreement. Furthermore, the contractor expressly understands and agrees that the provisions of this indemnification clause shall in no way limit the contractor's obligations assumed in this Agreement, nor shall they be construed to relieve the contractor from any liability, nor preclude the Owner from taking any other actions available to it under any other provisions of this Agreement or otherwise at law.

Name _____ (Please print or type)

Signature _____ Date _____

Bidder's Name _____

STATEMENT OF BIDDER'S QUALIFICATIONS

All questions must be answered and the data given must be clear and comprehensive. This statement must be notarized. Questions may be answered on separate attached sheets. The Bidder may submit any additional information it desires.

1. _____
(Name of Bidder)

2. _____
(Permanent Main Office Address)

3. _____
(When Organized)

4. _____
(If a Corporation, Where Incorporated)

5. Number of years engaged in construction or contracting business under present firm or trade name? _____

6. Contracts on hand: (Show gross amount of each Contract and the appropriate dates of Completion)

7. General character of work performed by you. _____

8. Have you ever failed to complete any work awarded to you? _____

9. Have you ever defaulted on a Contract? _____ If so, complete details, including where and why?

Bidder's Name _____

STATEMENT OF BIDDER'S QUALIFICATIONS - (continued)

10. List your major equipment available for this Contract. (Attach separate sheet, if necessary)

11. Experience in the Construction work similar in importance to this Project.

12. Have you had any material adverse changes from the trades as listed in NJ Notice of Classification within last five (5) years? _____. If so, list prior classification.

13. Background and experience of the principal members of your organization, including the officers.

14. Bank Reference. (Name, Address, Phone, Representative) _____

15. Will you, upon request, fill out a detailed financial statement and furnish any other information that may be required by the proper agency? _____

16. The undersigned, hereby authorized and requests any person, firm or corporation to furnish any information requested by the proper agency in verification of the recitals comprising this Statement of Bidder's Qualifications.

17. Bidder's telephone number, fax number and e-mail address (if applicable).

Phone _____

Fax _____

E-mail _____

Mobile _____

Bidder's Name _____

STATEMENT OF BIDDER'S QUALIFICATIONS - (continued)

Dated at _____ this _____ day of __, 20__.

BIDDER (Signature)

BIDDER (Print Name)

Subscribed and sworn to before me
this _____ day of _____, 20__.

(Seal) Notary Public of New Jersey/
Specify Other State
My Commission Expires _____, 20__.

**NOTE: FAILURE TO COMPLETE AND SUBMIT THIS DOCUMENT WITH
YOUR PROPOSAL MAY RESULT IN A REJECTION OF YOUR BID.**

Bidder's Name _____

CONTRACTOR PERFORMANCE RECORD

How many years has your organization been in business as a Contractor under your present business name?

How many years' experience in construction work has your organization had (a) as a general contractor? _____ (b) As a subcontractor? _____

What is the construction experience of the principal individuals of your organization?

Individual's Name	Present Position or Office	Yrs. of Construction Experience	Magnitude & Type of Work	In What Capacity

Have you ever failed to complete any work contracted to you?

If so, where and why? (Attach separate sheet if necessary)

Has any officer or partner of your organization ever failed to complete a construction contract handled in its own name?

If so, state name of individual, name of owner, location and type of project, and reason for the failure to complete.

Bidder's Name _____

CONTRACTOR'S PERFORMANCE RECORD - (Continued)

List of all contracts completed by you.

Name of Owner	Name & Location of Project: Type Of Work	Prime or Sub-Cont.	Engineer or Architect in Charge for Owner	Contract Price (Omit Cost)	Date Completed	Was Time* Extension Necessary	Were Any Penalties Imposed	Were Liens* Claims or Stop Notice Filed

Explain "Yes" answers under following item.

NOTE: FAILURE TO COMPLETE AND SUBMIT THIS DOCUMENT WITH YOUR PROPOSAL MAY RESULT IN A REJECTION OF YOUR BID.

Bidder's Name _____

CONTRACTOR'S PERFORMANCE RECORD - (Continued)

Explanation of details in connection with non-completion of contracts, time extensions, penalties imposed, labor troubles experience, liens, claims and notices filed again contracts listed in preceding item "Performance Record."

CERTIFICATION

The information above is true and complete to the best of my knowledge and belief.

(Name of Organization)

(Signature)

(Title)

Subscribed and sworn to before me
This _____ day of _____, 20__.

(Seal) Notary Public of New Jersey/
Specify Other State
My Commission Expires _____, 20__.

NOTE: FAILURE TO COMPLETE AND SUBMIT THIS DOCUMENT WITH YOUR PROPOSAL MAY RESULT IN A REJECTION OF YOUR BID.

PRIOR NEGATIVE EXPERIENCE QUESTIONNAIRE

(N.J.S.A. 40A:11-4)

1. Within the past ten (10) years, have you been found, through either court adjudication, arbitration, mediation, or other contractually stipulated alternate dispute resolution mechanism, to have: failed to provide or perform goods or services; or failed to complete a contract in a timely manner; or otherwise performed unsatisfactorily under a prior contract with a public entity?

_____ yes _____ no If yes, please provide full, detailed explanation.

2. Within the past ten (10) years, have you defaulted on a contract, thereby requiring a public entity to utilize the services of another contractor to provide the goods or perform the services or to correct or complete the contract?

_____ yes _____ no If yes, please provide full, detailed explanation.

3. Within the past ten (10) years, have you defaulted on a contract, thereby requiring a public entity to look to your surety for completion of the contract or tender of the costs of completion?

_____ yes _____ no If yes, please provide full, detailed explanation.

4. Within the past ten (10) years, have you been debarred or suspended from contracting with any of the agencies or department of the executive branch of the State of New Jersey at the time of the contract award, where the action was based on failure to perform a contract for goods or services with a public entity?

_____ yes _____ no If yes, please provide full, detailed explanation.

Bidder's Name _____

PRIOR NEGATIVE EXPERIENCE CERTIFICATION

I hereby certify that the above statements are true and accurate as of this _____
day of _____, 20__.

Name of Contractor

By _____
(Signature of Authorized Representative)

Subscribed and sworn to before me
This _____ day of _____, 20__.

(Seal) Notary Public of New Jersey/
Specify Other State
My Commission Expires _____, 20__.

**NOTE: FAILURE TO COMPLETE AND SUBMIT THIS DOCUMENT WITH YOUR
PROPOSAL MAY RESULT IN A REJECTION OF YOUR BID.**

Bidder's Name _____

TO BE COMPLETED ONLY WHEN FINAL PAYMENT IS REQUESTED

CONTRACTOR'S CERTIFICATION OF COMPLIANCE - NEW JERSEY PREVAILING WAGE ACT

TO: County of Union
Division of Engineering
2325 South Avenue
Scotch Plains, New Jersey 07076

CONTRACT:

PROJECT:

In accordance with the requirements of the New Jersey Prevailing Wage Act, N.J.S.A. 34:11-56 et al *, the undersigned contractor on the public work being performed for:

COUNTY OF UNION

hereby certifies that he/she has complied with the contract requirements regarding the payment of the minimum prevailing wages established under "The New Jersey Prevailing Wage Act" N.J.S.A. 34:11-56 et al.

CONTRACTOR: _____
ADDRESS: _____

BY: _____
ORIGINAL SIGNATURE ONLY

STATE OF NEW JERSEY
COUNTY OF _____

Being by me duly sworn according to law, on his oath deposes and says that _____ is _____ of _____ the above named contractor, and that the facts set forth in the above statement are true.

Subscribed and sworn before me
this ____ day of _____, 200__.

Notary Public: _____
My Commission Expires: _____

* N.J.S.A. 34:11-56.33 requires the contractor and subcontractor to file written statements with the public body in form satisfactory to the Commissioner certifying to the amounts then due and owing from such contractor and subcontractor filing such statement to any and all workmen for wages due on account of the public work, setting forth therein the names of the persons whose wages are unpaid and the amount due to each respectively. Union County will withhold the amount so deducted for the benefit of the workmen whose wages are unpaid as shown by the verified statement filed, and will pay directly to any workman the amount shown by such statement to be due to him for such wages. Such payment shall thereby discharge the obligation of the contractor to the person receiving such payment to the extent of the amount thereof.

Bidder's Name _____

UNCOMPLETED CONTRACTS AFFIDAVIT
(To be Submitted with DPMC Form 701)

PURSUANT TO N.J.A.C. 17:19-2.13, BIDDER DECLARES THE FOLLOWING WITH RESPECT TO ITS UNCOMPLETED CONTRACTS, ON ALL WORK, FROM WHATEVER SOURCE (PUBLIC AND PRIVATE), BOTH IN NEW JERSEY AND FROM OTHER GOVERNMENTAL JURISDICTIONS

ENTITY	PROJECT TITLE	ORIGINAL CONTRACT AMOUNT	UNCOMPLETED AMOUNT AS OF BID OPENING DATE	NAME AND TELEPHONE NUMBER OF PARTY TO BE CONTACTED FROM ENTITY FOR VERIFICATION

TOTAL AMOUNT OF UNCOMPLETED CONTRACTS \$ _____

Sworn and Subscribed to Before me

This _____ day of _____ 20____

Notary Public

BIDDER:

(Signature)

(Print Name)

NOTE: FAILURE TO COMPLETE AND SUBMIT THIS DOCUMENT WITH YOUR PROPOSAL MAY RESULT IN A REJECTION OF YOUR BID.

Bidder's Name _____

CERTIFICATE OF INSURANCE STATEMENT

The Bidder fully understands the County of Union insurance requirements as stated in the Instructions to Bidders as well as the Owner/Contractor Agreement and agrees to provide all insurance required by these documents prior to the issuance of the Notice to Proceed.

BIDDER (Signature)

BIDDER (Print Name)

NOTE: FAILURE TO COMPLETE AND SUBMIT THIS DOCUMENT WITH YOUR PROPOSAL MAY RESULT IN A REJECTION OF YOUR BID.

Bidder's Name _____

COLLECTION OF USE TAX ON SALES TO LOCAL GOVERNMENTS STATEMENT

The Bidder fully understands the requirements of the use tax on sales to local governments as stated in the General Conditions to the Contract for Construction and the Instructions to Bidders, and agrees at all times to comply with the "Contractor Use Tax Collection Legislation", as defined therein, and the terms relating thereto contained in the Contract Documents.

BIDDER (Signature)

BIDDER (Print Name)

NOTE: FAILURE TO COMPLETE AND SUBMIT THIS DOCUMENT WITH YOUR PROPOSAL MAY RESULT IN A REJECTION OF YOUR BID.

Bidder's Name _____

ACKNOWLEDGEMENT OF PROJECT LABOR AGREEMENT
(Projects of \$5 Million or more irrespective of Phasing)

Contractor _____, hereby acknowledges that the within Project, upon which the undersigned has submitted a Bid Proposal, requires the execution of a Project Labor Agreement and the utilization of union employees. The undersigned agrees to execute the PLA and comply with all terms and conditions of same in the performance of the Work.

Attest:

Contractor

By: _____

Bidder's Name _____

TIME OF COMPLETION

The undersigned proposed that if awarded the Contract, the scope of work will be started within ten (10) calendar days and will be substantially completed within **Ninety (90) calendar days** from the date of the notice to proceed.

I, _____ of _____
NAME (Print or type) COMPANY

Agree to complete work in the time frame specified _____
SIGNATURE

SITE VISIT – GENERAL CONTRACTOR

I, _____ of _____
NAME (Print or type) COMPANY

Visited the site of the work on _____
SIGNATURE

**COUNTY OF UNION NEW JERSEY
Division of Purchasing**

DISCLOSURE OF INVESTMENT ACTIVITIES IN IRAN

Solicitation Number: _____ Bidder/Offeror: _____

Pursuant to Public law 2012, c. 25, any person or entity that submits a bid or proposal or otherwise proposes to enter into or renew a contract must complete the certification below to attest, under penalty of perjury, that the person or entity, or one of the person or entity's parents, subsidiaries, or affiliates, is not identified on a list created and maintained by the Department of the Treasury as a person or entity engaging in investment activities in Iran. If the Director finds a person or entity to be in violation of the principles which are the subject of the law, s/he shall take action as may be appropriate and provided by law, rule or contract, including but not limited to, imposing sanctions, seeking compliance, recovering damages, declaring the party in default and seeking debarment or suspension of the person or entity.

I certify, pursuant to Public Law 2012, c. 25, that the person or entity listed above for which I am authorized to bid/renew:

is not providing goods or services of \$20,000,000 or more in the energy sector of Iran, including a person or entity that provides oil or liquefied natural gas tankers, or products used to construct or maintain pipe lines used to transport oil or liquefied natural gas, for the energy sector of Iran,
AND

is not a financial institution that extends \$20,000,000 or more in credit to another person or entity, for 45 days or more, if that person or entity will use the credit to provide goods or services in the energy sector in Iran.

In the event that a person or entity is unable to make the above certification because it or one of its parents, subsidiaries, or affiliates has engaged in the above-referenced activities, a detailed, accurate and precise description of the activities must be provided in part 2 below to the Division of Purchase under penalty of perjury. Failure to provide such will result in the proposal being rendered as non-responsive and appropriate penalties, fines and/or sanctions will be assessed as provided by law.

PART 2: PLEASE PROVIDE FURTHER INFORMATION RELATED TO INVESTMENT ACTIVITIES IN IRAN. You must provide, accurate and precise description of the activities of the bidding person/entity, or one of its parents, subsidiaries or affiliates, engaging in the investment activities in Iran outlined above by completing the boxes below.

Name _____ Relationship to Bidder/Offeror _____

Description of Activities _____

Duration of Engagement _____ Anticipated Cessation Date _____

DISCLOSURE OF INVESTMENT ACTIVITIES IN IRAN – (Continued)

Bidder/Offeror
Contact Name _____ Contact Phone Number _____

Certification: I, being duly sworn upon my oath, hereby represent and state that the foregoing information and any attachments thereto to the best of my knowledge are true and complete. I attest that I am authorized to execute this certification on behalf of the above referenced person or entity. I acknowledge that Union County is relying on the information contained herein and hereby acknowledge that I am under a continuing obligation from the date of this certification through the completion of any contracts with the County to notify the County in writing of any changes to the answers of information contained herein. I acknowledge that I am aware that it is a criminal offense to make a false statement or misrepresentation in this certification, and if I do so, I recognize that I am subject to criminal prosecution under the law and that it will also constitute a material breach of my agreement(s) with Union County, New Jersey and that the County at its option may declare any contract(s) resulting from this certification void and unenforceable.

Full Name (Print) _____ Signature _____

Title _____ Date _____

STANDARD SPECIFICATIONS

The Standard Specifications for Road and Bridge Construction of New Jersey Department of Transportation, 2007 Edition; is added to and/or amended elsewhere herein by the Notice to Contractors (Advertisement), Proposal, Information for Bidders, General Conditions, Special Provisions, Project Plans, and Supplementary Specifications; shall, insofar as technical requirements are involved, govern in the execution of this project.

Such Standard Specifications are made a part of these Specifications by this reference and will not be repeated herein. It is the responsibility of prospective bidders to familiarize themselves with these Standard Specifications, copies of which may be examined at the office of the Engineer and may be obtained, upon payment of the cost thereof, from:

Department of Transportation
State of New Jersey
1035 Parkway Avenue
Trenton, New Jersey 08625

The Notice to Bidders (Advertisement), Proposal, General Conditions, Instructions to Bidders, Special Provisions, Project Plans and/or Technical Specifications shall govern and prevail in the case of conflict between them and the Standard Specifications.

In these Standard Specifications the words "COMMISSIONER" or "DEPARTMENT" shall refer to and mean the person, persons, body, board or agent legally empowered to enter into contracts and otherwise legally act for the Owner. The words "RESIDENT ENGINEER (RE)", "ENGINEER" or "STATE" shall refer to and mean the professional engineering representative of the Owner as hereinbefore defined and the word "INSPECTOR" shall mean the authorized project representative of the Engineer with the authority as hereinbefore defined. The word "LABORATORY" shall mean and refer to the Engineer who may, at his discretion, and with the consent of the Owner, employ qualified technical personnel or testing laboratories to assist him in fulfilling the duties normally assigned to the "LABORATORY" in these Standard Specifications.

When reference is made herein to the bulletins, standards, specifications, publications or requirements of the Manual on Uniform Traffic Control Devices (MUTCD), Institute of Traffic Engineers (ITE), Federal Highway Administration (FHWA), American Association of State Highway Officials (AASHTO), the American Concrete Institute (ACI), the American Society of Civil Engineers (ASCE) or similar national or regional societies, associations, institutes or organizations; the requirements of the bulletins, specifications, publications or requirements referred to shall be considered a part of these Specifications by such reference and shall not be repeated herein but shall have the same import and be as binding as if herein set forth in full.

DRAFT AIA Document A101™ - 2007

Standard Form of Agreement Between Owner and Contractor where the basis of payment is a Stipulated Sum

AGREEMENT made as of the day of in the year
(In words, indicate day, month and year.)

BETWEEN the Owner:
(Name, legal status, address and other information)

and the Contractor:
(Name, legal status, address and other information)

for the following Project:
(Name, location and detailed description)

The County Engineer or his designee:
(Name, legal status, address and other information)

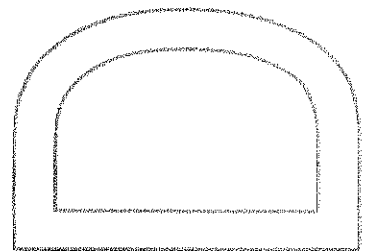
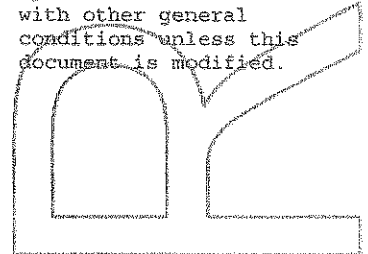
The Owner and Contractor agree as follows.



ADDITIONS AND DELETIONS:
The author of this document has added information needed for its completion. The author may also have revised the text of the original AIA standard form. An Additions and Deletions Report that notes added information as well as revisions to the standard form text is available from the author and should be reviewed.

This document has important legal consequences. Consultation with an attorney is encouraged with respect to its completion or modification.

AIA Document A201™-2007, General Conditions of the Contract for Construction, is adopted in this document by reference. Do not use with other general conditions unless this document is modified.



ELECTRONIC COPYING of any portion of this AIA Document to another electronic file is prohibited and constitutes a violation of copyright laws as set forth in the footer of this document.

TABLE OF ARTICLES

- 1 THE CONTRACT DOCUMENTS
- 2 THE WORK OF THIS CONTRACT
- 3 DATE OF COMMENCEMENT AND SUBSTANTIAL COMPLETION
- 4 CONTRACT SUM
- 5 PAYMENTS
- 6 DISPUTE RESOLUTION
- 7 TERMINATION OR SUSPENSION
- 8 MISCELLANEOUS PROVISIONS
- 9 ENUMERATION OF CONTRACT DOCUMENTS
- 10 INSURANCE AND BONDS

ARTICLE 1 THE CONTRACT DOCUMENTS

The Contract Documents consist of this Agreement, Conditions of the Contract (General, Supplementary and other Conditions), Drawings, Specifications, Addenda issued prior to execution of this Agreement, other documents listed in this Agreement and Modifications issued after execution of this Agreement, all of which form the Contract, and are as fully a part of the Contract as if attached to this Agreement or repeated herein. The Contract represents the entire and integrated agreement between the parties hereto and supersedes prior negotiations, representations or agreements, either written or oral. An enumeration of the Contract Documents, other than a Modification, appears in Article 9.

ARTICLE 2 THE WORK OF THIS CONTRACT

The Contractor shall fully execute the Work described in the Contract Documents, except as specifically indicated in the Contract Documents to be the responsibility of others. The Contractor will not be compensated for labor or materials outside the scope of work that is not properly authorized.

ARTICLE 3 DATE OF COMMENCEMENT AND SUBSTANTIAL COMPLETION

§ 3.1 The date of commencement of the Work shall be the date of this Agreement unless a different date is stated below or provision is made for the date to be fixed in a Notice to proceed issued by the Owner, which is anticipated to be on or about

()

If, prior to the commencement of the Work, the Owner requires time to file mortgages and other security interests, the Owner's time requirement shall be as follows: Not applicable.

()

§ 3.2 The Contract Time shall be measured from the date of commencement.

§ 3.3 The Contractor shall achieve Substantial Completion of the entire Work not later than () days from the date of commencement, or as follows:

(Insert number of calendar days. Alternatively, a calendar date may be used when coordinated with the date of commencement. If appropriate, insert requirements for earlier Substantial Completion of certain portions of the Work.)

Portion of Work

Substantial Completion Date

Entire Work

TBD

, subject to adjustments of this Contract Time as provided in the Contract Documents.
(Insert provisions, if any, for liquidated damages relating to failure to achieve Substantial Completion on time or for bonus payments for early completion of the Work.)

« » Should the Contractor fail to complete fully, and in conformity with all provisions of the Contract within the Contract Time, the Contractor shall, and hereby agrees to pay the Owner One Thousand Dollars (\$1,000.00) per day for as liquidated damages, for each consecutive calendar day beyond the number of days allowed by the Contract, which sum is agreed upon as reasonable and proper measure of damages that the Owner will sustain per diem by failure of Contractor to complete Work within time as stipulated; it is being recognized by Owner and Contractor that the injury to Owner that could result from a failure of the Contractor to complete on schedule, is uncertain and cannot be computed exactly. In no way shall costs of Liquidated Damages to be construed as a penalty to the Contractor. (See Bid Documents)

ARTICLE 4 CONTRACT SUM

§ 4.1 The Owner shall pay the Contractor the Contract Sum in current funds for the Contractor's performance of the Contract. The Contract Sum shall be « » (\$ « »), subject to additions and deductions as provided in the Contract Documents.

§ 4.2 The Contract Sum is based upon the following alternates, if any, which are described in the Contract Documents and are hereby accepted by the Owner:
(State the numbers or other identification of accepted alternates. If the bidding or proposal documents permit the Owner to accept other alternates subsequent to the execution of this Agreement, attach a schedule of such other alternates showing the amount for each and the date when that amount expires.)

« »
§ 4.3 Unit prices, if any:
(Identify and state the unit price; state quantity limitations, if any, to which the unit price will be applicable.)

Item	Units and Limitations	Price Per Unit (\$0.00)
« »	« »	« »

§ 4.4 Allowances included in the Contract Sum, if any:
(Identify allowance and state exclusions, if any, from the allowance price.)

Item	Price
« »	« »

ARTICLE 5 PAYMENTS

§ 5.1 PROGRESS PAYMENTS

§ 5.1.1 Based upon Applications for Payment submitted to the County Engineer or his designee by the Contractor and Certificates for Payment issued by the County Engineer or his designee, the Owner shall make progress payments on account of the Contract Sum to the Contractor as provided below and elsewhere in the Contract Documents.

§ 5.1.2 The period covered by each Application for Payment shall be one calendar month ending on the last day of the month, or as follows:

« »
§ 5.1.3 The Contractor shall submit a Preliminary Payment Request (Pencil Requisition) to the County Engineer or his designee on the twenty-fifth (25th) day of any given calendar month for Work performed during that month,

Upon receipt of the Pencil Requisition from the Contractor, the County Engineer or his designee shall review the Pencil Requisition and approve or disapprove of it in whole or in part as set forth hereafter. Within (4) calendar days of receipt of the Pencil Requisition from the Contractor, the County Engineer or his designee shall return the Pencil Requisition to the Contractor, with those charges that are approved or disapproved, if any, by the County Engineer or his designee, for the Contractor's incorporation into an Application for Payment. Within two (2) calendar days of return of the Pencil Requisition from the County Engineer or his designee, the Contractor shall submit a formal application for Payment to the County Engineer or his designee for review and approval by the County Engineer or his designee incorporating any revisions made by the County Engineer or his designee in the Pencil Requisition submission. Within five (5) calendar days of receipt of Contractor's Application for Payment, the County Engineer or his designee shall take any one of the following actions:

- 1) Certify the entire Application for Payment;
- 2) Certify partial payment and provide the Contractor with reasons for withholding the remaining portion of the payment; or
- 3) Withhold certification of the entire Application for Payment and provide the Contractor with reasons for withholding the entire payment,

Once the Application for Payment is certified either in whole or in part, the County Engineer or his designee shall transmit the Certified Payment Application within three (3) calendar days to the Owner for its review and payment. The Owner shall make payment to the Contractor for the Certified Payment Amount by no later than the time period set forth in the New Jersey Prompt Payment Act following receipt of the Certificate for Payment from the County Engineer or his designee. The Owner shall not be obligated to pay any Application for Payment until the Application for Payment is certified by the County Engineer or his designee. Approval of any Application for Payment may be withheld should the Contractor fail to submit Manning Reports in a timely manner.

Pursuant to N.J.S.A. 2A:30A-1 et seq. (the "Prompt Payment Act"), a public or governmental entity that requires the entity's governing body to vote on authorizations for each periodic payment, final payment, or retainage monies, such as the Owner, is excepted from the timing requirements of the Act. Accordingly, the Owner shall not approve the Contractor's Application for Payment until it is certified by the County Engineer or his designee in accordance herewith and shall not approve the Contractor's Certified Payment Application until the next scheduled public meeting of the Owner following the Owner's receipt of the Certified Payment Application from the County Engineer or his designee. The Owner shall not make payment to the Contractor for the Certified Payment Amount until the Owner's subsequent payment cycle following its approval of the Payment Application.

Pursuant to this same Act, if a payment due pursuant to the provisions herein is not made in a timely manner, the Owner shall be liable for the amount of money owed under the contract, plus interest at a rate equal to the prime rate plus one percent (1%), notwithstanding anything to the contrary in the Contract Documents. Interest on amounts due pursuant to the Act shall be paid to the prime contractor for the period beginning on the day after the required payment date and ending on the day on which the check for payment is received by the Contractor.

Pursuant to this same Act, disputes regarding whether a party has failed to make payments required by the Act may be submitted to a process of alternative dispute resolution, notwithstanding anything to the contrary in the contract documents, where the parties agree to same. Alternative dispute resolution permitted by the Act shall not apply to disputes concerning any other matters that may arise under or from this Contract. Any civil action brought to collect payments shall be conducted in Union County, State of New Jersey, and the prevailing party shall be awarded reasonable costs and attorneys' fees.

§5.1.4 The County Engineer or his designee may decide not to certify payment and may withhold a Certificate for Payment, in whole or in part, to the extent reasonably necessary to protect the Owner if, in the County Engineer or his designee's opinion, the representations as described in Section 5.1.5 below cannot be made to the Owner. If the County Engineer or his designee withholds a Certificate for Payment, the County Engineer or his designee will notify the Contractor and Owner as provided in Section 5.1.3 above. If the Contractor and County Engineer or his designee cannot agree on a revised amount, the County Engineer or his designee will issue a Certificate for Payment for the amount for which the County Engineer or his designee is able to make such representations to the Owner as set forth in Section 5.1.3 above. The County Engineer or his designee may also decide to withhold certifying

payment in whole or in part, or, because of subsequently discovered evidence or subsequent observations, to such extent as may be necessary in the County Engineer or his designee's opinion to protect the Owner from loss because of:

- .1 Defective Work not remedied;
- .2 third party claims filed or reasonable evidence indicating probable filing of such claims;
- .3 failure of the Contractor to make payments properly to Subcontractors or for labor, materials, or equipment;
- .4 reasonable evidence that the Work cannot be completed for the unpaid balance of the Contract Sum;
- .5 damage to the Owner or another contractor;
- .6 reasonable evidence that the Work will not be completed within the Contract Time, and that the unpaid balance would not be adequate to cover actual or Liquidated Damages for the anticipated delay;
- .7 failure to carry out the Work in accordance with the Contract Documents;
- .8 avoidable delay in the progress of the Work;
- .9 deliberate delay in the submission for approval of names of Subcontractors, materialmen, sources of supply, shop drawings, and samples;
- .10 failure to maintain the Project Site in a safe and satisfactory condition in accordance with good construction practices as determined by the County Engineer or his designee; or
- .11 failure to submit updates as required by the General Conditions.

When the foregoing reasons for withholding certification are resolved, certification will be made for amounts previously withheld in the manner set forth in Section 5.1.3 above.

§5.1.5 The issuance of a separate Certificate for Payment will constitute representations made separately by the County Engineer or his designee to the Owner, based on its individual observations at the site and the data comprising the Application for Payment submitted by the Contractor, that the Work has progressed to the point indicated and that, to the best of the County Engineer or his designee's knowledge, information and belief, quality of the Work is in accordance with the Contract Documents.

The foregoing representations are subject to an evaluation of the Work for conformance with the Contract Documents upon Substantial Completion, to results of subsequent tests and inspections, to minor deviations from the Contract Documents correctable prior to completion and to specific qualifications expressed by the County Engineer or his designee. The

issuance of a separate Certificate of Payment will further constitute a representation that the Contractor is entitled to payment in the amount certified. However, the issuance of a separate Certificate for Payment will not be a representation that the County Engineer or his designees has (1) made exhaustive or continuous on-site inspections to check the quality or quantity of the Work; (2) reviewed the Contractor's construction means, methods, techniques, sequences or procedures; (3) reviewed copies of requisitions received from Subcontractor's and materials suppliers and other data requested by the Owner to substantiate the Contractor's right to payment; or (4) made examination to ascertain how or for what purpose the Contractor has used money previously paid on account of the Contract Sum.

§5.1.6 Each Application for Payment shall be based on the most recent schedule of values submitted by the Contractor in accordance with the Contract Documents. The schedule of values shall allocate the entire Contract Sum among the various portions of the Work. The schedule of values shall be prepared in such form and supported by such data to substantiate its accuracy as the County Engineer or his designee may require. This schedule, unless objected to by the County Engineer or his designee, shall be used as a basis for reviewing the Contractor's Applications for Payment.

§5.1.7 Applications for Payment shall show the percentage of completion of each portion of the Work as of the end of the period covered by the Application for Payment.

§ 5.1.8 Subject to other provisions of the Contract Documents, the amount of each progress payment shall be computed as follows:

- .1 Take that portion of the Contract Sum properly allocable to completed Work as determined by multiplying the percentage completion of each portion of the Work by the share of the Contract Sum allocated to that portion of the Work in the schedule of values, less retainage of percent (%). Pending final determination of cost to the Owner of changes in the Work, amounts not in dispute shall be included as provided in Section 7.3.9 of AIA Document A201™-2007, General Conditions of the Contract for Construction;
- .2 Add that portion of the Contract Sum properly allocable to materials and equipment delivered and suitably stored at the site for subsequent incorporation in the completed construction (or, if approved in advance by the Owner, suitably stored off the site at a location agreed upon in writing), less retainage of percent (%);
- .3 Subtract the aggregate of previous payments made by the Owner; and
- .4 Subtract amounts, if any, for which the County Engineer or his designee has withheld or nullified a Certificate for Payment as provided in Section 9.5 of AIA Document A201-2007.

§5.1.9 The progress payment amount determined in accordance with Section 5.1.8 shall be further modified under the following circumstances:

- .1 Add, upon Substantial Completion of the Work, a sum sufficient to increase the total payments to the full amount of the Contract Sum, less such amounts as the County Engineer or his designee shall determine for incomplete Work, retainage applicable to such work and unsettled claims; and
- .2 Add, if final completion of the Work is thereafter materially delayed through no fault of the Contractor, any additional amounts payable in accordance with Section 9.10.3 of AIA Document A201-2007.

§5.1.10 Retainage shall be determined as follows: Pursuant to N.J.S.A. 40A:11-6.1, the Owner will withhold two percent (2%) of the amount due on each partial payment when the outstanding balance of the Contract exceeds One Hundred Thousand Dollars (\$100,000.00).

§5.1.11 Except with the Owner's prior approval, the Contractor shall not make advance payments to suppliers for materials or equipment which have not been delivered and stored at the site.

§ 5.2 FINAL PAYMENT

§ 5.2.1 Final payment, constituting the entire unpaid balance of the Contract Sum, shall be made by the Owner to the Contractor when

- .1 the Contractor has fully performed the Contract except for the Contractor's responsibility to correct Work as provided in Section 12.2.2 of AIA Document A201-2007, and to satisfy other requirements, if any, which extend beyond final payment; and
- .2 a final Certificate for Payment has been issued by the County Engineer or his designee.

§ 5.2.2 The Owner's final payment to the Contractor shall be made no later than 30 days after the issuance of the County Engineer or his designee's final Certificate for Payment, or as follows:

« »

ARTICLE 6 DISPUTE RESOLUTION

§ 6.1 INITIAL DECISION MAKER

The County Engineer or his designee will serve as Initial Decision Maker pursuant to Section 15.2 of AIA Document A201-2007, unless the parties appoint below another individual, not a party to this Agreement, to serve as Initial Decision Maker.

(If the parties mutually agree, insert the name, address and other contact information of the Initial Decision Maker, if other than the County Engineer or his designee.)

« »
« »
« »
« »

§ 6.2 BINDING DISPUTE RESOLUTION

Except as provided in Section 5.1.3 of the Standard Form of Agreement between the Owner and Contractor, all claims, disputes or other matters in question between the parties to this Contract, arising out of or relating to the Project or to the Contract, or the alleged breach hereof, shall be subject one to mediation, and if not resolved, then same shall be decided in a Court of competent jurisdiction venued in Union County, New Jersey. No party may be compelled to submit any dispute concerning the Project to arbitration. In the event any claim arising from the Project is beyond the jurisdiction of the court, the Contract consents to joinder as a party to such action or alternative dispute proceeding.

ARTICLE 7 TERMINATION OR SUSPENSION

§ 7.1 The Contract may be terminated by the Owner or the Contractor as provided in Article 14 of AIA Document A201-2007.

§ 7.2 The Work may be suspended by the Owner as provided in Article 14 of AIA Document A201-2007.

ARTICLE 8 MISCELLANEOUS PROVISIONS

§ 8.1 Where reference is made in this Agreement to a provision of AIA Document A201-2007 or another Contract Document, the reference refers to that provision as amended or supplemented by other provisions of the Contract Documents.

§ 8.2 Payments due and unpaid under the Contract shall in no instance bear interest, except as required by law in accordance with Section 5.1.3 hereof.

§ 8.3 The Contractor shall ensure that the Project Site is maintained in a clean and safe condition at all times, based upon Owner's sole discretion. If the Contractor fails to keep the Project Site in a clean and safe condition, said failure shall result in the following:

- .1 all claims resulting from the Contractor's failure shall be the Contractor's responsibility;
- .2 said failure shall constitute an act of default and a substantial breach of the Contract giving the Owner remedies under the contract Documents; and
- .3 the Owner shall have the right to withhold any payments until the Contractor cures its failure.

Failure to do so shall authorize the Owner to withhold any Applications for payment until such time as the Contractor has rectified same. Further, if the Contractor fails to clean up as provided in the Contract Documents, the Owner may do so and the cost thereof shall be charged to the Contractor.

§ 8.4 Indemnification – See Indemnification Requirements in Bid Documents.

§ 8.5 The within contract shall be governed by and interpreted pursuant to the law of the State of New Jersey.

§ 8.6 The Contractor shall comply with the anti-discrimination provisions of N.J.S.A. 10:2-1 et seq., the New Jersey Law Against Discrimination, N.J.S.A. 10:5-1 et seq., N.J.A.C. 17:27-1.1 et seq. and shall guarantee to afford equal opportunity in performance of the Work in accordance with an affirmative action program approved by the State Treasurer. (See Page G-21).

§ 8.7 The Contractor shall submit proof of Business Registration for itself and its subcontractors to the Owner and shall provide written notice to its subcontractors and suppliers of the responsibility to submit proof of business registration to the contractor. The requirement of proof of Business Registration extends down through all levels (tiers) of the Project.

The Contractor agrees to comply with the rules and regulations promulgated pursuant to the Contractor Use Tax Collection Legislation.

For the term of the contract, the Contractor, any subcontractor, and each of their affiliates [N.J.S.A. 52:32-44(g)93], shall collect and remit to the New Jersey Director of the Division of Taxation in the Department of Treasury, the use tax due pursuant to the "Sales and Use Tax Act," P.L. 1966, c. 30 (C.54:32B-1 et seq.) on all of their sales of tangible personal property delivered into the State of New Jersey, regardless of whether the tangible personal property is intended for a contract with a contracting agency. For purposes herein, "affiliate" shall mean any entity that: (a)

directly, indirectly or constructively controls another entity; (b) is directly, indirectly, or constructively controlled by another entity; or (c) is subject to the control of a common entity. For purposes of the immediately preceding sentence, an entity controls another entity if it owns, directly or indirectly, more than fifty percent (50%) of the Ownership interest in that entity.

§8.8 This Standard Form of Agreement and the General Conditions set forth in the Bid Documents shall control in the case of conflict between these documents and the Project Specifications, the Project Manual, and any other exhibits incorporated by reference in this Contract.

ARTICLE 9 ENUMERATION OF CONTRACT DOCUMENTS

§ 9.1 The Contract Documents, except for Modifications issued after execution of this Agreement, are enumerated in the sections below, and incorporated herein as if set forth in their entirety.

§ 9.1.1 The Agreement is this executed AIA Document A101-2007, Standard Form of Agreement Between Owner and Contractor.

§ 9.1.2 The General Conditions are AIA Document A201-2007, General Conditions of the Contract for Construction.

§ 9.1.3 The Supplementary and other Conditions of the Contract:

Document	Title	Date	Pages

§ 9.1.4 The Specifications:

(Either list the Specifications here or refer to an exhibit attached to this Agreement.)

« See Specifications as referenced by Exhibit B.

Section	Title	Date	Pages

§ 9.1.5 The Drawings:

(Either list the Drawings here or refer to an exhibit attached to this Agreement.)

« See List of Drawings, annexed hereto as Exhibit C.

Number	Title	Date

§ 9.1.6 The Addenda, if any:

Number	Date	Pages

Portions of Addenda relating to bidding requirements are not part of the Contract Documents unless the bidding requirements are also enumerated in this Article 9.

§ 9.1.7 Additional documents, if any, forming part of the Contract Documents:

- 1 AIA Document E201™-2007, Digital Data Protocol Exhibit, if completed by the parties, or the following:

■

- 2 Other documents, if any, listed below:

■

ARTICLE 10 INSURANCE AND BONDS

The Contractor shall purchase and maintain insurance and provide bonds as set forth in Article 11 of AIA Document A201-2007.

(State bonding requirements, if any, and limits of liability for insurance required in Article 11 of AIA Document A201-2007.)

Type of insurance or bond

Limit of liability or bond amount (\$0.00)

This Agreement entered into as of the day and year first written above.

OWNER (Signature)

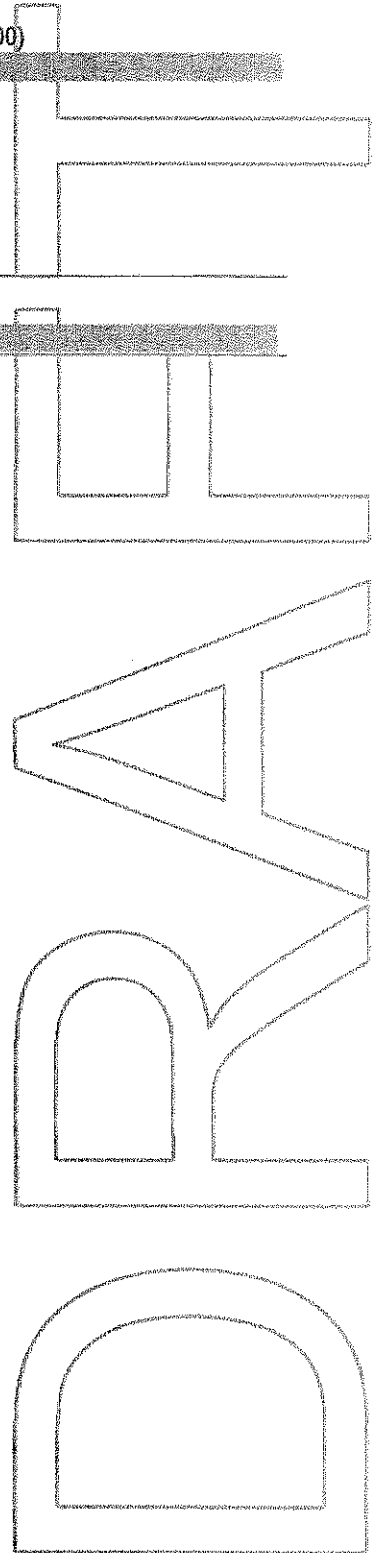
«) » « »

(Printed name and title)

CONTRACTOR (Signature)

«) » « »

(Printed name and title)



DRAFT AIA Document A201™ - 2007

General Conditions of the Contract for Construction

for the following PROJECT:

(Name and location or address)

«County of Union»

« »

THE OWNER:

(Name, legal status and address)

« »

« »

THE ENGINEER, OR HIS DESIGNEE :

(Name, legal status and address)

« »

« »

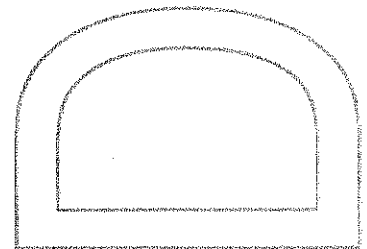
TABLE OF ARTICLES

- 1 GENERAL PROVISIONS
- 2 OWNER
- 3 CONTRACTOR
- 4 ENGINEER, OR HIS DESIGNEE :
- 5 SUBCONTRACTORS
- 6 CONSTRUCTION BY OWNER OR BY SEPARATE CONTRACTORS
- 7 CHANGES IN THE WORK
- 8 TIME
- 9 PAYMENTS AND COMPLETION
- 10 PROTECTION OF PERSONS AND PROPERTY
- 11 INSURANCE AND BONDS
- 12 UNCOVERING AND CORRECTION OF WORK
- 13 MISCELLANEOUS PROVISIONS
- 14 TERMINATION OR SUSPENSION OF THE CONTRACT
- 15 CLAIMS AND DISPUTES

ADDITIONS AND DELETIONS:

The author of this document has added information needed for its completion. The author may also have revised the text of the original AIA standard form. An Additions and Deletions Report that notes added information as well as revisions to the standard form text is available from the author and should be reviewed.

This document has important legal consequences. Consultation with an attorney is encouraged with respect to its completion or modification.



ELECTRONIC COPYING of any portion of this AIA Document to another electronic file is prohibited and constitutes a violation of copyright laws as set forth in the footer of this document.

INDEX

(Topics and numbers in bold are section headings.)

Acceptance of Nonconforming Work
9.6.6, 9.9.3, 12.3

Acceptance of Work
9.6.6, 9.8.2, 9.9.3, 9.10.1, 9.10.3, 12.3

Access to Work
3.16, 6.2.1, 12.1

Accident Prevention
10

Acts and Omissions
3.2, 3.3.2, 3.12.8, 3.18, 4.2.3, 8.3.1, 9.5.1, 10.2.5,
10.2.8, 13.4.2, 13.7, 14.1, 15.2

Addenda
1.1.1, 3.11.1

Additional Costs, Claims for
3.7.4, 3.7.5, 6.1.1, 7.3.7.5, 10.3, 15.1.4

Additional Inspections and Testing
9.4.2, 9.8.3, 12.2.1, 13.5

Additional Insured
11.1.4

Additional Time, Claims for
3.2.4, 3.7.4, 3.7.5, 3.10.2, 8.3.2, 15.1.5

Administration of the Contract
3.1.3, 4.2, 9.4, 9.5

Advertisement or Invitation to Bid
1.1.1

Aesthetic Effect
4.2.13

Allowances
3.8, 7.3.8

All-risk Insurance
11.3.1, 11.3.1.1

Applications for Payment
4.2.5, 7.3.9, 9.2, 9.3, 9.4, 9.5.1, 9.6.3, 9.7, 9.10,
11.1.3

Approvals
2.1.1, 2.2.2, 2.4, 3.1.3, 3.10.2, 3.12.8, 3.12.9, 3.12.10,
4.2.7, 9.3.2, 13.5.1

Arbitration
8.3.1, 11.3.10, 13.1.1, 15.3.2, 15.4

ENGINEER, OR HIS DESIGNEE
4

Engineer, or his designee, Definition of
4.1.1

Engineer, or his designee, Extent of Authority
2.4.1, 3.12.7, 4.1, 4.2, 5.2, 6.3, 7.1.2, 7.3.7, 7.4, 9.2,
9.3.1, 9.4, 9.5, 9.6.3, 9.8, 9.10.1, 9.10.3, 12.1, 12.2.1,
13.5.1, 13.5.2, 14.2.2, 14.2.4, 15.1.3, 15.2.1

Engineer, or his designee, Limitations of Authority
and Responsibility
2.1.1, 3.12.4, 3.12.8, 3.12.10, 4.1.2, 4.2.1, 4.2.2,
4.2.3, 4.2.6, 4.2.7, 4.2.10, 4.2.12, 4.2.13, 5.2.1, 7.4,
9.4.2, 9.5.3, 9.6.4, 15.1.3, 15.2

Engineer, or his designee's Additional Services and
Expenses
2.4.1, 11.3.1.1, 12.2.1, 13.5.2, 13.5.3, 14.2.4

Engineer, or his designee's Administration of the
Contract
3.1.3, 4.2, 3.7.4, 15.2, 9.4.1, 9.5

Engineer, or his designee's Approvals
2.4.1, 3.1.3, 3.5, 3.10.2, 4.2.7

Engineer, or his designee's or Engineer's
Authority to Reject Work
3.5, 4.2.6, 12.1.2, 12.2.1

Engineer, or his designee's Copyright
1.1.7, 1.5

Engineer, or his designee's Decisions
3.7.4, 4.2.6, 4.2.7, 4.2.11, 4.2.12, 4.2.13, 4.2.14, 6.3,
7.3.7, 7.3.9, 8.1.3, 8.3.1, 9.2, 9.4.1, 9.5, 9.8.4, 9.9.1,
13.5.2, 15.2, 15.3

Engineer, or his designee's Inspections
3.7.4, 4.2.2, 4.2.9, 9.4.2, 9.8.3, 9.9.2, 9.10.1, 13.5

Engineer, or his designee's Instructions
3.2.4, 3.3.1, 4.2.6, 4.2.7, 13.5.2

Engineer, or his designee's Interpretations
4.2.11, 4.2.12

Engineer, or his designee's Project Representative
4.2.10

Engineer, or his designee's Relationship with
Contractor
1.1.2, 1.5, 3.1.3, 3.2.2, 3.2.3, 3.2.4, 3.3.1, 3.4.2, 3.5,
3.7.4, 3.7.5, 3.9.2, 3.9.3, 3.10, 3.11, 3.12, 3.16, 3.18,
4.1.2, 4.1.3, 4.2, 5.2, 6.2.2, 7, 8.3.1, 9.2, 9.3, 9.4, 9.5,
9.7, 9.8, 9.9, 10.2.6, 10.3, 11.3.7, 12, 13.4.2, 13.5,
15.2

Engineer, or his designee's Relationship with
Subcontractors
1.1.2, 4.2.3, 4.2.4, 4.2.6, 9.6.3, 9.6.4, 11.3.7

Engineer, or his designee's Representations
9.4.2, 9.5.1, 9.10.1

Engineer, or his designee's Site Visits
3.7.4, 4.2.2, 4.2.9, 9.4.2, 9.5.1, 9.9.2, 9.10.1, 13.5

Asbestos
10.3.1

Attorneys' Fees
3.18.1, 9.10.2, 10.3.3

Award of Separate Contracts
6.1.1, 6.1.2

Award of Subcontracts and Other Contracts for
Portions of the Work
5.2

Basic Definitions
1.1

Bidding Requirements
1.1.1, 5.2.1, 11.4.1

Binding Dispute Resolution
9.7, 11.3.9, 11.3.10, 13.1.1, 15.2.5, 15.2.6.1, 15.3.1,
15.3.2, 15.4.1

Boiler and Machinery Insurance
 11.3.2
Bonds, Lien
 7.3.7.4, 9.10.2, 9.10.3
Bonds, Performance, and Payment
 7.3.7.4, 9.6.7, 9.10.3, 11.3.9, 11.4
Building Permit
 3.7.1
Capitalization
 1.3
Certificate of Substantial Completion
 9.8.3, 9.8.4, 9.8.5
Certificates for Payment
 4.2.1, 4.2.5, 4.2.9, 9.3.3, 9.4, 9.5, 9.6.1, 9.6.6, 9.7,
 9.10.1, 9.10.3, 14.1.1.3, 14.2.4, 15.1.3
Certificates of Inspection, Testing or Approval
 13.5.4
Certificates of Insurance
 9.10.2, 11.1.3
Change Orders
 1.1.1, 2.4.1, 3.4.2, 3.7.4, 3.8.2.3, 3.11.1, 3.12.8, 4.2.8,
 5.2.3, 7.1.2, 7.1.3, 7.2, 7.3.2, 7.3.6, 7.3.9, 7.3.10,
 8.3.1, 9.3.1.1, 9.10.3, 10.3.2, 11.3.1.2, 11.3.4, 11.3.9,
 12.1.2, 15.1.3
Change Orders, Definition of
 7.2.1
CHANGES IN THE WORK
 2.2.1, 3.11, 4.2.8, 7, 7.2.1, 7.3.1, 7.4, 8.3.1, 9.3.1.1,
 11.3.9
Claims, Definition of
 15.1.1
CLAIMS AND DISPUTES
 3.2.4, 6.1.1, 6.3, 7.3.9, 9.3.3, 9.10.4, 10.3.3, 15, 15.4
Claims and Timely Assertion of Claims
 15.4.1
Claims for Additional Cost
 3.2.4, 3.7.4, 6.1.1, 7.3.9, 10.3.2, 15.1.4
Claims for Additional Time
 3.2.4, 3.7.4.6.1.1, 8.3.2, 10.3.2, 15.1.5
Concealed or Unknown Conditions, Claims for
 3.7.4
Claims for Damages
 3.2.4, 3.18, 6.1.1, 8.3.3, 9.5.1, 9.6.7, 10.3.3, 11.1.1,
 11.3.5, 11.3.7, 14.1.3, 14.2.4, 15.1.6
Claims Subject to Arbitration
 15.3.1, 15.4.1
Cleaning Up
 3.15, 6.3
Commencement of the Work, Conditions Relating to
 2.2.1, 3.2.2, 3.4.1, 3.7.1, 3.10.1, 3.12.6, 5.2.1, 5.2.3,
 6.2.2, 8.1.2, 8.2.2, 8.3.1, 11.1, 11.3.1, 11.3.6, 11.4.1,
 15.1.4
Commencement of the Work, Definition of
 8.1.2
Communications Facilitating Contract Administration
 3.9.1, 4.2.4

Completion, Conditions Relating to
 3.4.1, 3.11, 3.15, 4.2.2, 4.2.9, 8.2, 9.4.2, 9.8, 9.9.1,
 9.10, 12.2, 13.7, 14.1.2
COMPLETION, PAYMENTS AND
 9
Completion, Substantial
 4.2.9, 8.1.1, 8.1.3, 8.2.3, 9.4.2, 9.8, 9.9.1, 9.10.3,
 12.2, 13.7
Compliance with Laws
 1.6.1, 3.2.3, 3.6, 3.7, 3.12.10, 3.13, 4.1.1, 9.6.4,
 10.2.2, 11.1, 11.3, 13.1, 13.4, 13.5.1, 13.5.2, 13.6,
 14.1.1, 14.2.1.3, 15.2.8, 15.4.2, 15.4.3
Concealed or Unknown Conditions
 3.7.4, 4.2.8, 8.3.1, 10.3
Conditions of the Contract
 1.1.1, 6.1.1, 6.1.4
Consent, Written
 3.4.2, 3.7.4, 3.12.8, 3.14.2, 4.1.2, 9.3.2, 9.8.5, 9.9.1,
 9.10.2, 9.10.3, 11.3.1, 13.2, 13.4.2, 15.4.4.2
Consolidation or Joinder
 15.4.4
CONSTRUCTION BY OWNER OR BY SEPARATE CONTRACTORS
 1.1.4, 6
Construction Change Directive, Definition of
 7.3.1
Construction Change Directives
 1.1.1, 3.4.2, 3.12.8, 4.2.8, 7.1.1, 7.1.2, 7.1.3, 7.3,
 9.3.1.1
Construction Schedules, Contractor's
 3.10, 3.12.1, 3.12.2, 6.1.3, 15.1.5.2
Contingent Assignment of Subcontracts
 5.4, 14.2.2.2
Continuing Contract Performance
 15.1.3
Contract, Definition of
 1.1.2
CONTRACT, TERMINATION OR SUSPENSION OF THE
 5.4.1.1, 11.3.9, 14
Contract Administration
 3.1.3, 4, 9.4, 9.5
Contract Award and Execution, Conditions Relating to
 3.7.1, 3.10, 5.2, 6.1, 11.1.3, 11.3.6, 11.4.1
Contract Documents, Copies Furnished and Use of
 1.5.2, 2.2.5, 5.3
Contract Documents, Definition of
 1.1.1
Contract Sum
 3.7.4, 3.8, 5.2.3, 7.2, 7.3, 7.4, 9.1, 9.4.2, 9.5.1.4,
 9.6.7, 9.7, 10.3.2, 11.3.1, 14.2.4, 14.3.2, 15.1.4,
 15.2.5
Contract Sum, Definition of
 9.1

Contract Time
3.7.4, 3.7.5, 3.10.2, 5.2.3, 7.2.1.3, 7.3.1, 7.3.5, 7.4,
8.1.1, 8.2.1, 8.3.1, 9.5.1, 9.7, 10.3.2, 12.1.1, 14.3.2,
15.1.5.1, 15.2.5

Contract Time, Definition of
8.1.1

CONTRACTOR
3

Contractor, Definition of
3.1, 6.1.2

Contractor's Construction Schedules
3.10, 3.12.1, 3.12.2, 6.1.3, 15.1.5.2

Contractor's Employees
3.3.2, 3.4.3, 3.8.1, 3.9, 3.18.2, 4.2.3, 4.2.6, 10.2, 10.3,
11.1.1, 11.3.7, 14.1, 14.2.1.1

Contractor's Liability Insurance
11.1

Contractor's Relationship with Separate Contractors
and Owner's Forces
3.12.5, 3.14.2, 4.2.4, 6, 11.3.7, 12.1.2, 12.2.4

Contractor's Relationship with Subcontractors
1.2.2, 3.3.2, 3.18.1, 3.18.2, 5, 9.6.2, 9.6.7, 9.10.2,
11.3.1.2, 11.3.7, 11.3.8

Contractor's Relationship with the Engineer, or his
designee
1.1.2, 1.5, 3.1.3, 3.2.2, 3.2.3, 3.2.4, 3.3.1, 3.4.2, 3.5,
3.7.4, 3.10, 3.11, 3.12, 3.16, 3.18, 4.1.3, 4.2, 5.2,
6.2.2, 7, 8.3.1, 9.2, 9.3, 9.4, 9.5, 9.7, 9.8, 9.9, 10.2.6,
10.3, 11.3.7, 12, 13.5, 15.1.2, 15.2.1

Contractor's Representations
3.2.1, 3.2.2, 3.5, 3.12.6, 6.2.2, 8.2.1, 9.3.3, 9.8.2

Contractor's Responsibility for Those Performing the
Work
3.3.2, 3.18, 5.3.1, 6.1.3, 6.2, 9.5.1, 10.2.8

Contractor's Review of Contract Documents
3.2

Contractor's Right to Stop the Work
9.7

Contractor's Right to Terminate the Contract
14.1, 15.1.6

Contractor's Submittals
3.10, 3.11, 3.12.4, 4.2.7, 5.2.1, 5.2.3, 9.2, 9.3, 9.8.2,
9.8.3, 9.9.1, 9.10.2, 9.10.3, 11.1.3, 11.4.2

Contractor's Superintendent
3.9, 10.2.6

Contractor's Supervision and Construction
Procedures
1.2.2, 3.3, 3.4, 3.12.10, 4.2.2, 4.2.7, 6.1.3, 6.2.4,
7.1.3, 7.3.5, 7.3.7, 8.2, 10, 12, 14, 15.1.3

Contractual Liability Insurance
11.1.1.8, 11.2

Coordination and Correlation
1.2, 3.2.1, 3.3.1, 3.10, 3.12.6, 6.1.3, 6.2.1

Copies Furnished of Drawings and Specifications
1.5, 2.2.5, 3.11

Copyrights
1.5, 3.17

Correction of Work
2.3, 2.4, 3.7.3, 9.4.2, 9.8.2, 9.8.3, 9.9.1, 12.1.2, 12.2

Correlation and Intent of the Contract Documents
1.2

Cost, Definition of
7.3.7

Costs
2.4.1, 3.2.4, 3.7.3, 3.8.2, 3.15.2, 5.4.2, 6.1.1, 6.2.3,
7.3.3.3, 7.3.7, 7.3.8, 7.3.9, 9.10.2, 10.3.2, 10.3.6,
11.3, 12.1.2, 12.2.1, 12.2.4, 13.5, 14

Cutting and Patching
3.14, 6.2.5

Damage to Construction of Owner or Separate
Contractors
3.14.2, 6.2.4, 10.2.1.2, 10.2.5, 10.4, 11.1.1, 11.3,
12.2.4

Damage to the Work
3.14.2, 9.9.1, 10.2.1.2, 10.2.5, 10.4.1, 11.3.1, 12.2.4

Damages, Claims for
3.2.4, 3.18, 6.1.1, 8.3.3, 9.5.1, 9.6.7, 10.3.3, 11.1.1,
11.3.5, 11.3.7, 14.1.3, 14.2.4, 15.1.6

Damages for Delay
6.1.1, 8.3.3, 9.5.1.6, 9.7, 10.3.2

Date of Commencement of the Work, Definition of
8.1.2

Date of Substantial Completion, Definition of
8.1.3

Day, Definition of
8.1.4

Decisions of the Engineer, or his designee
3.7.4, 4.2.6, 4.2.7, 4.2.11, 4.2.12, 4.2.13, 15.2, 6.3,
7.3.7, 7.3.9, 8.1.3, 8.3.1, 9.2, 9.4, 9.5.1, 9.8.4, 9.9.1,
13.5.2, 14.2.2, 14.2.4, 15.1, 15.2

Decisions to Withhold Certification
9.4.1, 9.5, 9.7, 14.1.1.3

Defective or Nonconforming Work, Acceptance,
Rejection and Correction of
2.3.1, 2.4.1, 3.5, 4.2.6, 6.2.5, 9.5.1, 9.5.2, 9.6.6, 9.8.2,
9.9.3, 9.10.4, 12.2.1

Definitions
1.1, 2.1.1, 3.1.1, 3.5, 3.12.1, 3.12.2, 3.12.3, 4.1.1,
15.1.1, 5.1, 6.1.2, 7.2.1, 7.3.1, 8.1, 9.1, 9.8.1

Delays and Extensions of Time
3.2, 3.7.4, 5.2.3, 7.2.1, 7.3.1, 7.4, 8.3, 9.5.1, 9.7,
10.3.2, 10.4.1, 14.3.2, 15.1.5, 15.2.5

Disputes
6.3, 7.3.9, 15.1, 15.2

Documents and Samples at the Site
3.11

Drawings, Definition of
1.1.5

Drawings and Specifications, Use and Ownership of
3.11

Effective Date of Insurance
8.2.2, 11.1.2

Emergencies
10.4, 14.1.1.2, 15.1.4

Employees, Contractor's
3.3.2, 3.4.3, 3.8.1, 3.9, 3.18.2, 4.2.3, 4.2.6, 10.2,
10.3.3, 11.1.1, 11.3.7, 14.1, 14.2.1.1

Equipment, Labor, Materials or
1.1.3, 1.1.6, 3.4, 3.5, 3.8.2, 3.8.3, 3.12, 3.13.1, 3.15.1,
4.2.6, 4.2.7, 5.2.1, 6.2.1, 7.3.7, 9.3.2, 9.3.3, 9.5.1.3,
9.10.2, 10.2.1, 10.2.4, 14.2.1.1, 14.2.1.2

Execution and Progress of the Work
1.1.3, 1.2.1, 1.2.2, 2.2.3, 2.2.5, 3.1, 3.3.1, 3.4.1, 3.5,
3.7.1, 3.10.1, 3.12, 3.14, 4.2, 6.2.2, 7.1.3, 7.3.5, 8.2,
9.5.1, 9.9.1, 10.2, 10.3, 12.2, 14.2, 14.3.1, 15.1.3

Extensions of Time
3.2.4, 3.7.4, 5.2.3, 7.2.1, 7.3, 7.4, 9.5.1, 9.7, 10.3.2,
10.4.1, 14.3, 15.1.5, 15.2.5

Failure of Payment
9.5.1.3, 9.7, 9.10.2, 13.6, 14.1.1.3, 14.2.1.2

Faulty Work
(See Defective or Nonconforming Work)

Final Completion and Final Payment
4.2.1, 4.2.9, 9.8.2, 9.10, 11.1.2, 11.1.3, 11.3.1, 11.3.5,
12.3.1, 14.2.4, 14.4.3

Financial Arrangements, Owner's
2.2.1, 13.2.2, 14.1.1.4

Fire and Extended Coverage Insurance
11.3.1.1

GENERAL PROVISIONS

1

Governing Law

13.1

Guarantees (See Warranty)

Hazardous Materials
10.2.4, 10.3

Identification of Subcontractors and Suppliers
5.2.1

Indemnification
3.1.7, 3.18, 9.10.2, 10.3.3, 10.3.5, 10.3.6, 11.3.1.2,
11.3.7

Information and Services Required of the Owner
2.1.2, 2.2, 3.2.2, 3.12.4, 3.12.10, 6.1.3, 6.1.4, 6.2.5,
9.6.1, 9.6.4, 9.9.2, 9.10.3, 10.3.3, 11.2, 11.4, 13.5.1,
13.5.2, 14.1.1.4, 14.1.4, 15.1.3

Initial Decision
15.2

Initial Decision Maker, Definition of
1.1.8

Initial Decision Maker, Decisions
14.2.2, 14.2.4, 15.2.1, 15.2.2, 15.2.3, 15.2.4, 15.2.5

Initial Decision Maker, Extent of Authority
14.2.2, 14.2.4, 15.1.3, 15.2.1, 15.2.2, 15.2.3, 15.2.4,
15.2.5

Injury or Damage to Person or Property
10.2.8, 10.4.1

Inspections
3.1.3, 3.3.3, 3.7.1, 4.2.2, 4.2.6, 4.2.9, 9.4.2, 9.8.3,
9.9.2, 9.10.1, 12.2.1, 13.5

Instructions to Bidders
1.1.1

Instructions to the Contractor
3.2.4, 3.3.1, 3.8.1, 5.2.1, 7, 8.2.2, 12, 13.5.2

Instruments of Service, Definition of
1.1.7

Insurance
3.18.1, 6.1.1, 7.3.7, 9.3.2, 9.8.4, 9.9.1, 9.10.2, 11

Insurance, Boiler and Machinery
11.3.2

Insurance, Contractor's Liability
11.1

Insurance, Effective Date of
8.2.2, 11.1.2

Insurance, Loss of Use
11.3.3

Insurance, Owner's Liability
11.2

Insurance, Property
10.2.5, 11.3

Insurance, Stored Materials
9.3.2

INSURANCE AND BONDS
11

Insurance Companies, Consent to Partial Occupancy
9.9.1

Intent of the Contract Documents
1.2.1, 4.2.7, 4.2.12, 4.2.13, 7.4

Interest
13.6

Interpretation
1.2.3, 1.4, 4.1.1, 5.1, 6.1.2, 15.1.4

Interpretations, Written
4.2.11, 4.2.12, 15.1.4

Judgment on Final Award
15.4.2

Labor and Materials, Equipment
1.1.3, 1.1.6, 3.4, 3.5, 3.8.2, 3.8.3, 3.12, 3.13, 3.15.1,
4.2.6, 4.2.7, 5.2.1, 6.2.1, 7.3.7, 9.3.2, 9.3.3, 9.5.1.3,
9.10.2, 10.2.1, 10.2.4, 14.2.1.1, 14.2.1.2

Labor Disputes
8.3.1

Laws and Regulations
1.5, 3.2.3, 3.6, 3.7, 3.12.10, 5.13.1, 4.1.1, 9.6.4, 9.9.1,
10.2.2, 11.1.1, 11.3, 13.1.1, 13.4, 13.5.1, 13.5.2,
13.6.1, 14, 15.2.8, 15.4

Liens
2.1.2, 9.3.3, 9.10.2, 9.10.4, 15.2.8

Limitations, Statutes of
12.2.5, 13.7, 15.4.1.1

Limitations of Liability
2.3.1, 3.2.2, 3.5, 3.12.10, 3.17, 3.18.1, 4.2.6, 4.2.7,
4.2.12, 6.2.2, 9.4.2, 9.6.4, 9.6.7, 10.2.5, 10.3.3,
11.1.2, 11.2, 11.3.7, 12.2.5, 13.4.2

Limitations of Time
2.1.2, 2.2, 2.4, 3.2.2, 3.10, 3.11, 3.12.5, 3.15.1, 4.2.7,
5.2, 5.3.1, 5.4.1, 6.2.4, 7.3, 7.4, 8.2, 9.2, 9.3.1, 9.3.3,
9.4.1, 9.5, 9.6, 9.7, 9.8, 9.9, 9.10, 11.1.3, 11.3.1.5,
11.3.6, 11.3.10, 12.2, 13.5, 13.7, 14, 15

Loss of Use Insurance
 11.3.3
Material Suppliers
 1.5, 3.12.1, 4.2.4, 4.2.6, 5.2.1, 9.3, 9.4.2, 9.6, 9.10.5
Materials, Hazardous
 10.2.4, 10.3
Materials, Labor, Equipment and
 1.1.3, 1.1.6, 1.5.1, 3.4.1, 3.5, 3.8.2, 3.8.3, 3.12,
 3.13.1, 3.15.1, 4.2.6, 4.2.7, 5.2.1, 6.2.1, 7.3.7, 9.3.2,
 9.3.3, 9.5.1.3, 9.10.2, 10.2.1.2, 10.2.4, 14.2.1.1,
 14.2.1.2
Means, Methods, Techniques, Sequences and
Procedures of Construction
 3.3.1, 3.12.10, 4.2.2, 4.2.7, 9.4.2
Mechanic's Lien
 2.1.2, 15.2.8
Mediation
 8.3.1, 10.3.5, 10.3.6, 15.2.1, 15.2.5, 15.2.6, 15.3,
 15.4.1
Minor Changes in the Work
 1.1.1, 3.12.8, 4.2.8, 7.1, 7.4
MISCELLANEOUS PROVISIONS
 13
Modifications, Definition of
 1.1.1
Modifications to the Contract
 1.1.1, 1.1.2, 3.11, 4.1.2, 4.2.1, 5.2.3, 7, 8.3.1, 9.7,
 10.3.2, 11.3.1
Mutual Responsibility
 6.2
Nonconforming Work, Acceptance of
 9.6.6, 9.9.3, 12.3
Nonconforming Work, Rejection and Correction of
 2.3.1, 2.4.1, 3.5, 4.2.6, 6.2.4, 9.5.1, 9.8.2, 9.9.3,
 9.10.4, 12.2.1
Notice
 2.2.1, 2.3.1, 2.4.1, 3.2.4, 3.3.1, 3.7.2, 3.12.9, 5.2.1,
 9.7, 9.10, 10.2.2, 11.1.3, 12.2.2.1, 13.3, 13.5.1,
 13.5.2, 14.1, 14.2, 15.2.8, 15.4.1
Notice, Written
 2.3.1, 2.4.1, 3.3.1, 3.9.2, 3.12.9, 3.12.10, 5.2.1, 9.7,
 9.10, 10.2.2, 10.3, 11.1.3, 11.3.6, 12.2.2.1, 13.3, 14,
 15.2.8, 15.4.1
Notice of Claims
 3.7.4, 10.2.8, 15.1.2, 15.4
Notice of Testing and Inspections
 13.5.1, 13.5.2
Observations, Contractor's
 3.2, 3.7.4
Occupancy
 2.2.2, 9.6.6, 9.8, 11.3.1.5
Orders, Written
 1.1.1, 2.3, 3.9.2, 7, 8.2.2, 11.3.9, 12.1, 12.2.2.1,
 13.5.2, 14.3.1
OWNER
 2

Owner, Definition of
 2.1.1
Owner, Information and Services Required of the
 2.1.2, 2.2, 3.2.2, 3.12.10, 6.1.3, 6.1.4, 6.2.5, 9.3.2,
 9.6.1, 9.6.4, 9.9.2, 9.10.3, 10.3.3, 11.2, 11.3, 13.5.1,
 13.5.2, 14.1.1.4, 14.1.4, 15.1.3
Owner's Authority
 1.5, 2.1.1, 2.3.1, 2.4.1, 3.4.2, 3.8.1, 3.12.10, 3.14.2,
 4.1.2, 4.1.3, 4.2.4, 4.2.9, 5.2.1, 5.2.4, 5.4.1, 6.1, 6.3,
 7.2.1, 7.3.1, 8.2.2, 8.3.1, 9.3.1, 9.3.2, 9.3.1, 9.6.4,
 9.9.1, 9.10.2, 10.3.2, 11.1.3, 11.3.3, 11.3.10, 12.2.2,
 12.3.1, 13.2.2, 14.3, 14.4, 15.2.7
Owner's Financial Capability
 2.2.1, 13.2.2, 14.1.1.4
Owner's Liability Insurance
 11.2
Owner's Relationship with Subcontractors
 1.1.2, 5.2, 5.3, 5.4, 9.6.4, 9.10.2, 14.2.2
Owner's Right to Carry Out the Work
 2.4, 14.2.2
Owner's Right to Clean Up
 6.3
Owner's Right to Perform Construction and to
Award Separate Contracts
 6.1
Owner's Right to Stop the Work
 2.3
Owner's Right to Suspend the Work
 14.3
Owner's Right to Terminate the Contract
 14.2
Ownership and Use of Drawings, Specifications
and Other Instruments of Service
 1.1.1, 1.1.6, 1.1.7, 1.5, 2.2.5, 3.2.2, 3.11.1, 3.17,
 4.2.12, 5.3.1
Partial Occupancy or Use
 9.6.6, 9.9, 11.3.1.5
Patching, Cutting and
 3.14, 6.2.5
Patents
 3.17
Payment, Applications for
 4.2.5, 7.3.9, 9.2, 9.3, 9.4, 9.5, 9.6.3, 9.7, 9.8.5, 9.10.1,
 14.2.3, 14.2.4, 14.4.3
Payment, Certificates for
 4.2.5, 4.2.9, 9.3.3, 9.4, 9.5, 9.6.1, 9.6.6, 9.7, 9.10.1,
 9.10.3, 13.7, 14.1.1.3, 14.2.4
Payment, Failure of
 9.5.1.3, 9.7, 9.10.2, 13.6, 14.1.1.3, 14.2.1.2
Payment, Final
 4.2.1, 4.2.9, 9.8.2, 9.10, 11.1.2, 11.1.3, 11.4.1, 12.3.1,
 13.7, 14.2.4, 14.4.3
Payment Bond, Performance Bond and
 7.3.7.4, 9.6.7, 9.10.3, 11.4
Payments, Progress
 9.3, 9.6, 9.8.5, 9.10.3, 13.6, 14.2.3, 15.1.3

PAYMENTS AND COMPLETION

- 9
- Payments to Subcontractors
 - 5.4.2, 9.5.1.3, 9.6.2, 9.6.3, 9.6.4, 9.6.7, 14.2.1.2
- PCB
 - 10.3.1
- Performance Bond and Payment Bond
 - 7.3.7.4, 9.6.7, 9.10.3, 11.4
- Permits, Fees, Notices and Compliance with Laws
 - 2.2.2, 3.7, 3.13, 7.3.7.4, 10.2.2

PERSONS AND PROPERTY, PROTECTION OF

- 10
- Polychlorinated Biphenyl
 - 10.3.1
- Product Data, Definition of
 - 3.12.2
- Product Data and Samples, Shop Drawings
 - 3.11, 3.12, 4.2.7
- Progress and Completion
 - 4.2.2, 8.2, 9.8, 9.9.1, 14.1.4, 15.1.3
- Progress Payments
 - 9.3, 9.6, 9.8.5, 9.10.3, 13.6, 14.2.3, 15.1.3
- Project, Definition of
 - 1.1.4
- Project Representatives
 - 4.2.10
- Property Insurance
 - 10.2.5, 11.3

PROTECTION OF PERSONS AND PROPERTY

- 10
- Regulations and Laws
 - 1.5, 3.2.3, 3.6, 3.7, 3.12.10, 3.13, 4.1.1, 9.6.4, 9.9.1, 10.2.2, 11.1, 11.4, 13.1, 13.4, 13.5.1, 13.5.2, 13.6, 14, 15.2.8, 15.4
- Rejection of Work
 - 3.5, 4.2.6, 12.2.1
- Releases and Waivers of Liens
 - 9.10.2
- Representations
 - 3.2.1, 3.5, 3.12.6, 6.2.2, 8.2.1, 9.3.3, 9.4.2, 9.5.1, 9.8.2, 9.10.1
- Representatives
 - 2.1.1, 3.1.1, 3.9, 4.1.1, 4.2.1, 4.2.2, 4.2.10, 5.1.1, 5.1.2, 13.2.1
- Responsibility for Those Performing the Work
 - 3.3.2, 3.18, 4.2.3, 5.3.1, 6.1.3, 6.2, 6.3, 9.5.1, 10
- Retainage
 - 9.3.1, 9.6.2, 9.8.5, 9.9.1, 9.10.2, 9.10.3
- Review of Contract Documents and Field Conditions by Contractor
 - 3.2, 3.12.7, 6.1.3
- Review of Contractor's Submittals by Owner and Engineer, or his designee
 - 3.10.1, 3.10.2, 3.11, 3.12, 4.2, 5.2, 6.1.3, 9.2, 9.8.2

- Review of Shop Drawings, Product Data and Samples by Contractor
 - 3.12
- Rights and Remedies
 - 1.1.2, 2.3, 2.4, 3.5, 3.7.4, 3.15.2, 4.2.6, 5.3, 5.4, 6.1, 6.3, 7.3.1, 8.3, 9.5.1, 9.7, 10.2.5, 10.3, 12.2.2, 12.2.4, 13.4, 14, 15.4
- Royalties, Patents and Copyrights
 - 3.17
- Rules and Notices for Arbitration
 - 15.4.1
- Safety of Persons and Property
 - 10.2, 10.4
- Safety Precautions and Programs
 - 3.3.1, 4.2.2, 4.2.7, 5.3.1, 10.1, 10.2, 10.4
- Samples, Definition of
 - 3.12.3
- Samples, Shop Drawings, Product Data and
 - 3.11, 3.12, 4.2.7
- Samples at the Site, Documents and
 - 3.11
- Schedule of Values
 - 9.2, 9.3.1
- Schedules, Construction
 - 3.10, 3.12.1, 3.12.2, 6.1.3, 15.1.5.2
- Separate Contracts and Contractors
 - 1.1.4, 3.12.5, 3.14.2, 4.2.4, 4.2.7, 6, 8.3.1, 12.1.2
- Shop Drawings, Definition of
 - 3.12.1
- Shop Drawings, Product Data and Samples
 - 3.11, 3.12, 4.2.7
- Site, Use of
 - 3.13, 6.1.1, 6.2.1
- Site Inspections
 - 3.2.2, 3.3.3, 3.7.1, 3.7.4, 4.2, 9.4.2, 9.10.1, 13.5
- Site Visits, Engineer, or his designee's
 - 3.7.4, 4.2.2, 4.2.9, 9.4.2, 9.5.1, 9.9.2, 9.10.1, 13.5
- Special Inspections and Testing
 - 4.2.6, 12.2.1, 13.5
- Specifications, Definition of
 - 1.1.6
- Specifications
 - 1.1.1, 1.1.6, 1.2.2, 1.5, 3.11, 3.12.10, 3.17, 4.2.14
- Statute of Limitations
 - 13.7, 15.4.1.1
- Stopping the Work
 - 2.3, 9.7, 10.3, 14.1
- Stored Materials
 - 6.2.1, 9.3.2, 10.2.1.2, 10.2.4
- Subcontractor, Definition of
 - 5.1.1
- SUBCONTRACTORS**
- 5
- Subcontractors, Work by
 - 1.2.2, 3.3.2, 3.12.1, 4.2.3, 5.2.3, 5.3, 5.4, 9.3.1.2, 9.6.7

Subcontractual Relations
5.3, 5.4, 9.3.1.2, 9.6, 9.10, 10.2.1, 14.1, 14.2.1

Submittals
3.10, 3.11, 3.12, 4.2.7, 5.2.1, 5.2.3, 7.3.7, 9.2, 9.3, 9.8, 9.9.1, 9.10.2, 9.10.3, 11.1.3

Submittal Schedule
3.10.2, 3.12.5, 4.2.7

Subrogation, Waivers of
6.1.1, 11.3.7

Substantial Completion
4.2.9, 8.1.1, 8.1.3, 8.2.3, 9.4.2, 9.8, 9.9.1, 9.10.3, 12.2, 13.7

Substantial Completion, Definition of
9.8.1

Substitution of Subcontractors
5.2.3, 5.2.4

Substitution of Engineer, or his designee
4.1.3

Substitutions of Materials
3.4.2, 3.5, 7.3.8

Sub-subcontractor, Definition of
5.1.2

Subsurface Conditions
3.7.4

Successors and Assigns
13.2

Superintendent
3.9, 10.2.6

Supervision and Construction Procedures
1.2.2, 3.3, 3.4, 3.12.10, 4.2.2, 4.2.7, 6.1.3, 6.2.4, 7.1.3, 7.3.7, 8.2, 8.3.1, 9.4.2, 10, 12, 14, 15.1.3

Surety
5.4.1.2, 9.8.5, 9.10.2, 9.10.3, 14.2.2, 15.2.7

Surety, Consent of
9.10.2, 9.10.3

Surveys
2.2.3

Suspension by the Owner for Convenience
14.3

Suspension of the Work
5.4.2, 14.3

Suspension or Termination of the Contract
5.4.1.1, 14

Taxes
3.6, 3.8.2.1, 7.3.7.4

Termination by the Contractor
14.1, 15.1.6

Termination by the Owner for Cause
5.4.1.1, 14.2, 15.1.6

Termination by the Owner for Convenience
14.4

Termination of the Engineer, or his designee
4.1.3

Termination of the Contractor
14.2.2

TERMINATION OR SUSPENSION OF THE CONTRACT

14

Tests and Inspections
3.1.3, 3.3.3, 4.2.2, 4.2.6, 4.2.9, 9.4.2, 9.8.3, 9.9.2, 9.10.1, 10.3.2, 11.4.1.1, 12.2.1, 13.5

TIME
8

Time, Delays and Extensions of
3.2.4, 3.7.4, 5.2.3, 7.2.1, 7.3.1, 7.4, 8.3, 9.5.1, 9.7, 10.3.2, 10.4.1, 14.3.2, 15.1.5, 15.2.5

Time Limits
2.1.2, 2.2, 2.4, 3.2.2, 3.10, 3.11, 3.12.5, 3.15.1, 4.2, 5.2, 5.3, 5.4, 6.2.4, 7.3, 7.4, 8.2, 9.2, 9.3.1, 9.3.3, 9.4.1, 9.5, 9.6, 9.7, 9.8, 9.9, 9.10, 11.1.3, 12.2, 13.5, 13.7, 14, 15.1.2, 15.4

Time Limits on Claims
3.7.4, 10.2.8, 13.7, 15.1.2

Title to Work
9.3.2, 9.3.3

Transmission of Data in Digital Form
1.6

UNCOVERING AND CORRECTION OF WORK
12

Uncovering of Work
12.1

Unforeseen Conditions, Concealed or Unknown
3.7.4, 8.3.1, 10.3

Unit Prices
7.3.3.2, 7.3.4

Use of Documents
1.1.1, 1.5, 2.2.5, 3.12.6, 5.3

Use of Site
3.13, 6.1.1, 6.2.1

Values, Schedule of
9.2, 9.3.1

Waiver of Claims by the Engineer, or his designee
13.4.2

Waiver of Claims by the Contractor
9.10.5, 13.4.2, 15.1.6

Waiver of Claims by the Owner
9.9.3, 9.10.3, 9.10.4, 12.2.2.1, 13.4.2, 14.2.4, 15.1.6

Waiver of Consequential Damages
14.2.4, 15.1.6

Waiver of Liens
9.10.2, 9.10.4

Waivers of Subrogation
6.1.1, 11.3.7

Warranty
3.5, 4.2.9, 9.3.3, 9.8.4, 9.9.1, 9.10.4, 12.2.2, 13.7

Weather Delays
15.1.5.2

Work, Definition of
1.1.3

Use of Site

Written Consent

1.5.2, 3.4.2, 3.7.4, 3.12.8, 3.14.2, 4.1.2, 9.3.2, 9.8.5, 9.9.1, 9.10.2, 9.10.3, 11.4.1, 13.2, 13.4.2, 15.4.4.2

Written Interpretations

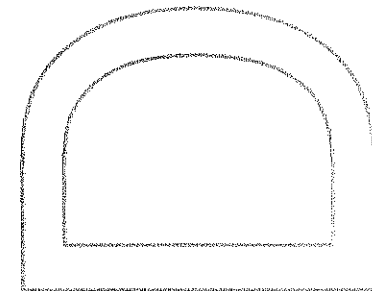
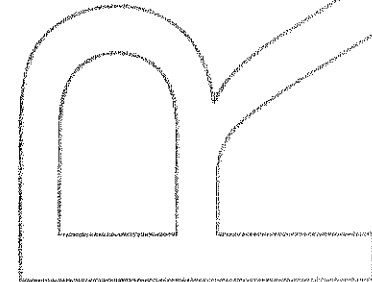
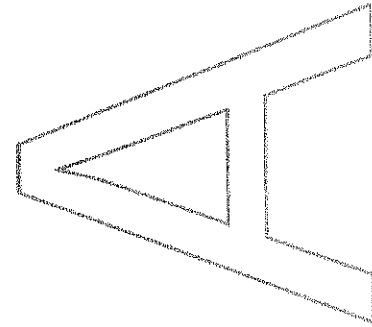
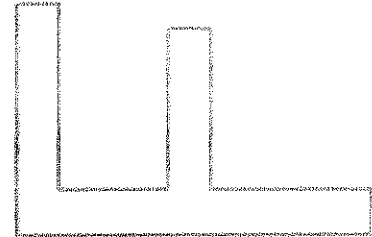
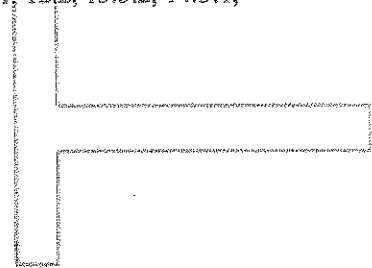
4.2.11, 4.2.12

Written Notice

2.3, 2.4, 3.3.1, 3.9, 3.12.9, 3.12.10, 5.2.1, 8.2.2, 9.7, 9.10, 10.2.2, 10.3, 11.1.3, 12.2.2, 12.2.4, 13.3, 14, 15.4.1

Written Orders

1.1.1, 2.3, 3.9, 7, 8.2.2, 12.1, 12.2, 13.5.2, 14.3.1, 15.1.2



ARTICLE 1 GENERAL PROVISIONS

§ 1.1 BASIC DEFINITIONS

§ 1.1.1 THE CONTRACT DOCUMENTS

The Contract Documents are enumerated in the Agreement between the Owner and Contractor (hereinafter the Agreement) and consist of the Agreement, Conditions of the Contract (General, Supplementary and other Conditions), Drawings, Specifications, Addenda issued prior to execution of the Contract, other documents listed in the Agreement and Modifications issued after execution of the Contract. A Modification is (1) a written amendment to the Contract signed by both parties, (2) a Change Order, (3) a Construction Change Directive or (4) a written order for a minor change in the Work issued by the Architect or Engineer. Unless specifically enumerated in the Agreement, the Contract Documents do not include the advertisement or invitation to bid, Instructions to Bidders, sample forms, other information furnished by the Owner in anticipation of receiving bids or proposals, the Contractor's bid or proposal, or portions of Addenda relating to bidding requirements.

§ 1.1.2 THE CONTRACT

The Contract Documents form the Contract for Construction. The Contract represents the entire and integrated agreement between the parties hereto and supersedes prior negotiations, representations or agreements, either written or oral. The Contract may be amended or modified only by a Modification. The Contract Documents shall not be construed to create a contractual relationship of any kind (1) between the Contractor and the Engineer, or his designee or the Engineer, or his designee's consultants, (2) between the Owner and a Subcontractor or a Sub-subcontractor, (3) between the Owner and the Engineer, or his designee or the Engineer, or his designee's consultants or (4) between any persons or entities other than the Owner and the Contractor. The Engineer, or his designee's shall, however, be entitled to performance and enforcement of obligations under the Contract intended to facilitate performance of the Engineer, or his designee's duties.

§ 1.1.3 THE WORK

The term "Work" means the construction and services required by the Contract Documents, whether completed or partially completed, and includes all other labor, materials, equipment and services provided or to be provided by the Contractor to fulfill the Contractor's obligations. The Work may constitute the whole or a part of the Project.

§ 1.1.4 THE PROJECT

The Project is the total construction of which the Work performed under the Contract Documents may be the whole or a part and which may include construction by the Owner and by separate contractors.

§ 1.1.5 THE DRAWINGS

The Drawings are the graphic and pictorial portions of the Contract Documents showing the design, location and dimensions of the Work, generally including plans, elevations, sections, details, schedules and diagrams.

§ 1.1.6 THE SPECIFICATIONS

The Specifications are that portion of the Contract Documents consisting of the written requirements for materials, equipment, systems, standards and workmanship for the Work, and performance of related services.

§ 1.1.7 INSTRUMENTS OF SERVICE

Instruments of Service are representations, in any medium of expression now known or later developed, of the tangible and intangible creative work performed by the Engineer, or his designee and the Engineer, or his designee's consultants under their respective professional services agreements. Instruments of Service may include, without limitation, studies, surveys, models, sketches, drawings, specifications, and other similar materials.

§ 1.1.8 INITIAL DECISION MAKER

The Initial Decision Maker is the person identified in the Agreement to render initial decisions on Claims in accordance with Section 15.2 and certify termination of the Agreement under Section 14.2.2.

§ 1.2 CORRELATION AND INTENT OF THE CONTRACT DOCUMENTS

§ 1.2.1 The intent of the Contract Documents is to include all items necessary for the proper execution and completion of the Work by the Contractor. The Contract Documents are complementary, and what is required by one shall be as binding as if required by all; performance by the Contractor shall be required only to the extent

consistent with the Contract Documents and reasonably inferable from them as being necessary to produce the indicated results.

§ 1.2.2 Organization of the Specifications into divisions, sections and articles, and arrangement of Drawings shall not control the Contractor in dividing the Work among Subcontractors or in establishing the extent of Work to be performed by any trade.

§ 1.2.3 Unless otherwise stated in the Contract Documents, words that have well-known technical or construction industry meanings are used in the Contract Documents in accordance with such recognized meanings.

§ 1.3 CAPITALIZATION

Terms capitalized in these General Conditions include those that are (1) specifically defined, (2) the titles of numbered articles or (3) the titles of other documents published by the American Institute of Engineer, or his designee s.

§ 1.4 INTERPRETATION

In the interest of brevity the Contract Documents frequently omit modifying words such as "all" and "any" and articles such as "the" and "an," but the fact that a modifier or an article is absent from one statement and appears in another is not intended to affect the interpretation of either statement.

§ 1.5 OWNERSHIP AND USE OF DRAWINGS, SPECIFICATIONS AND OTHER INSTRUMENTS OF SERVICE

§ 1.5.1 The Engineer, or his designee and the Engineer, or his designee 's consultants shall be deemed the authors and Owners of their respective Instruments of Service, including the Drawings and Specifications. The Contractor, Subcontractors, Sub-subcontractors, and material or equipment suppliers shall not own or claim a copyright in the Instruments of Service. Submittal or distribution to meet official regulatory requirements or for other purposes in connection with this Project is not to be construed as publication in derogation of the Engineer, or his designee or Engineer, or his designee 's consultants' reserved rights.

§ 1.5.2 The Contractor, Subcontractors, Sub-subcontractors and material or equipment suppliers are authorized to use and reproduce the Instruments of Service provided to them solely and exclusively for execution of the Work. All copies made under this authorization shall bear the copyright notice, if any, shown on the Instruments of Service. The Contractor, Subcontractors, Sub-subcontractors, and material or equipment suppliers may not use the Instruments of Service on other projects or for additions to this Project outside the scope of the Work without the specific written consent of the Owner, Engineer, or his designee and the Engineer, or his designee 's consultants.

§ 1.6 TRANSMISSION OF DATA IN DIGITAL FORM

If the parties intend to transmit Instruments of Service or any other information or documentation in digital form, they shall endeavor to establish necessary protocols governing such transmissions, unless otherwise already provided in the Agreement or the Contract Documents.

ARTICLE 2 OWNER

§ 2.1 GENERAL

§ 2.1.1 The Owner is the person or entity identified as such in the Agreement and is referred to throughout the Contract Documents as if singular in number. The Owner shall designate in writing a representative who shall have express authority to bind the Owner with respect to all matters requiring the Owner's approval or authorization. Except as otherwise provided elsewhere in the Contract Documents, the Engineer, or his designee does not have such authority. The term "Owner" means the Owner or the Owner's authorized representative.

§ 2.2 INFORMATION AND SERVICES REQUIRED OF THE OWNER

§ 2.2.1 The Contractor may request in writing that the Owner provide reasonable evidence that the Owner has made financial arrangements to fulfill the Owner's obligations under the Contract only in the event that: (1) the Owner fails to make payments to the Contractor as the Contract Documents require; (2) a change in the Work materially changes the Contract Sum. The Owner shall furnish such evidence as a condition precedent to commencement or continuation of the Work or the portion of the Work affected by a material change. After the Owner furnishes the evidence, the Owner shall not materially vary such financial arrangements without prior notice to the Contractor.

§ 2.2.2 Except for permits and fees that are the responsibility of the Contractor under the Contract Documents, including those required under Section 3.7.1, the Owner shall secure and pay for necessary approvals, easements, assessments and charges required for construction, use or occupancy of permanent structures or for permanent changes in existing facilities.

§ 2.2.3 If readily available, the Owner shall furnish surveys describing physical characteristics and legal limitations for the site of the Project, and a legal description of the site. The Contractor shall be entitled to rely on the accuracy of information furnished by the Owner but shall exercise proper precautions relating to the safe performance of the Work. The Contractor shall be responsible for requesting and obtaining a utility mark-out.

§ 2.2.4 The Owner shall furnish information or services required of the Owner by the Contract Documents with reasonable promptness. The Owner shall also furnish any other information or services under the Owner's control and relevant to the Contractor's performance of the Work with reasonable promptness after receiving the Contractor's written request for such information or services.

§ 2.2.5 Unless otherwise provided in the Contract Documents, the Owner shall furnish to the Contractor one copy of the Contract Documents for purposes of making reproductions pursuant to Section 1.5.2.

§ 2.3 OWNER'S RIGHT TO STOP THE WORK

If the Contractor fails to correct Work that is not in accordance with the requirements of the Contract Documents as required by Article 12 or fails to carry out Work in accordance with the Contract Documents, the Owner may issue a written order to the Contractor to stop the Work, or any portion thereof, until the cause for such order has been eliminated; however, the right of the Owner to stop the Work shall not give rise to a duty on the part of the Owner to exercise this right for the benefit of the Contractor or any other person or entity, except to the extent required by Section 6. Owner shall in no way be responsible for any delays or claims arising from delays for enforcement of this Section.

§ 2.4 OWNER'S RIGHT TO CARRY OUT THE WORK

If the Contractor defaults or neglects to carry out the Work in accordance with the Contract Documents and fails within a seven-day period after receipt of written notice from the Owner to commence and continue correction of such default or neglect with diligence and promptness, the Owner may, without prejudice to other remedies the Owner may have, correct such deficiencies. In such case an appropriate Change Order shall be issued deducting from payments then or thereafter due the Contractor the reasonable cost of correcting such deficiencies, including Owner's expenses and compensation for the Engineer, or his designee's additional services made necessary by such default, neglect or failure. If payments then or thereafter due the Contractor are not sufficient to cover such amounts, the Contractor shall pay the difference to the Owner.

ARTICLE 3 CONTRACTOR

§ 3.1 GENERAL

§ 3.1.1 The Contractor is the person or entity identified as such in the Agreement and is referred to throughout the Contract Documents as if singular in number. The Contractor shall be lawfully licensed, if required in the jurisdiction where the Project is located and shall maintain as current any approvals or certifications that may be required to perform the Work. The term "Contractor" means the Contractor or the Contractor's authorized representative.

§ 3.1.2 The Contractor shall perform the Work in accordance with the Contract Documents.

§ 3.1.3 The Contractor shall not be relieved of obligations to perform the Work in accordance with the Contract Documents either by activities or duties of the Engineer, or his designee in the Engineer, or his designee's administration of the Contract, or by tests, inspections or approvals required or performed by persons or entities other than the Contractor.

§ 3.2 REVIEW OF CONTRACT DOCUMENTS AND FIELD CONDITIONS BY CONTRACTOR

§ 3.2.1 Execution of the Contract by the Contractor is a representation that the Contractor has visited the site, become generally familiar with local conditions under which the Work is to be performed and correlated personal observations with requirements of the Contract Documents.

§ 3.2.2 Because the Contract Documents are complementary, the Contractor shall, before starting each portion of the Work, carefully study and compare the various Contract Documents relative to that portion of the Work, as well as the information furnished by the Owner pursuant to Section 2.2.3, shall take field measurements of any existing conditions related to that portion of the Work, and shall observe any conditions at the site affecting it. These obligations are for the purpose of facilitating coordination and construction by the Contractor and are not for the purpose of discovering errors, omissions, or inconsistencies in the Contract Documents; however, the Contractor shall promptly report to the Engineer, or his designee any errors, inconsistencies or omissions discovered by or made known to the Contractor as a request for information in such form as the Engineer, or his designee may require. It is recognized that the Contractor's review is made in the Contractor's capacity as a Contractor and not as a licensed design professional, unless otherwise specifically provided in the Contract Documents.

§ 3.2.3 The Contractor is not required to ascertain that the Contract Documents are in accordance with applicable laws, statutes, ordinances, codes, rules and regulations, or lawful orders of public authorities, but the Contractor shall promptly report to the Engineer, or his designee any nonconformity discovered by or made known to the Contractor as a request for information in such form as the Engineer, or his designee may require.

§ 3.2.4 If the Contractor believes that additional cost or time is involved because of clarifications or instructions the Engineer, or his designee issues in response to the Contractor's notices or requests for information pursuant to Sections 3.2.2 or 3.2.3, the Contractor shall make Claims as provided in Article 15. If the Contractor fails to perform the obligations of Sections 3.2.2 or 3.2.3, the Contractor shall pay such costs and damages to the Owner as would have been avoided if the Contractor had performed such obligations. If the Contractor performs those obligations, the Contractor shall not be liable to the Owner or Engineer, or his designee for damages resulting from errors, inconsistencies or omissions in the Contract Documents, for differences between field measurements or conditions and the Contract Documents, or for nonconformities of the Contract Documents to applicable laws, statutes, ordinances, codes, rules and regulations, and lawful orders of public authorities.

§ 3.3 SUPERVISION AND CONSTRUCTION PROCEDURES

§ 3.3.1 The Contractor shall supervise and direct the Work, using the Contractor's best skill and attention. The Contractor shall be solely responsible for, and have control over, construction means, methods, techniques, sequences and procedures and for coordinating all portions of the Work under the Contract, unless the Contract Documents give other specific instructions concerning these matters. If the Contract Documents give specific instructions concerning construction means, methods, techniques, sequences or procedures, the Contractor shall evaluate the jobsite safety thereof and, except as stated below, shall be fully and solely responsible for the jobsite safety of such means, methods, techniques, sequences or procedures. If the Contractor determines that such means, methods, techniques, sequences or procedures may not be safe, the Contractor shall give timely written notice to the Owner and Engineer, or his designee and shall not proceed with that portion of the Work without further written instructions from the Engineer, or his designee. If the Contractor is then instructed to proceed with the required means, methods, techniques, sequences or procedures without acceptance of changes proposed by the Contractor, the Owner shall be solely responsible for any loss or damage arising solely from those Owner-required means, methods, techniques, sequences or procedures.

§ 3.3.2 The Contractor shall be responsible to the Owner for acts and omissions of the Contractor's employees, Subcontractors and their agents and employees, and other persons or entities performing portions of the Work for, or on behalf of, the Contractor or any of its Subcontractors.

§ 3.3.3 The Contractor shall be responsible for inspection of portions of Work already performed to determine that such portions are in proper condition to receive subsequent Work.

§ 3.4 LABOR AND MATERIALS

§ 3.4.1 Unless otherwise provided in the Contract Documents, the Contractor shall provide and pay for labor, materials, equipment, tools, construction equipment and machinery, water, heat, utilities, transportation, and other facilities and services necessary for proper execution and completion of the Work, whether temporary or permanent and whether or not incorporated or to be incorporated in the Work.

§ 3.4.2 Except in the case of minor changes in the Work authorized by the Engineer, or his designee in accordance with Sections 3.12.8 or 7.4, the Contractor may make substitutions only with the consent of the Owner, after

evaluation by the Engineer, or his designee and in accordance with a Change Order or Construction Change Directive.

§ 3.4.3 The Contractor shall enforce strict discipline and good order among the Contractor's employees and other persons carrying out the Work. The Contractor shall not permit employment of unfit persons or persons not properly skilled in tasks assigned to them.

§ 3.5 WARRANTY

The Contractor warrants to the Owner and Engineer, or his designee that materials and equipment furnished under the Contract will be of good quality and new unless the Contract Documents require or permit otherwise. The Contractor further warrants that the Work will conform to the requirements of the Contract Documents and will be free from defects, except for those inherent in the quality of the Work the Contract Documents require or permit. Work, materials, or equipment not conforming to these requirements may be considered defective. The Contractor's warranty excludes remedy for damage or defect caused by abuse, alterations to the Work not executed by the Contractor, improper or insufficient maintenance, improper operation, or normal wear and tear and normal usage. If required by the Engineer, or his designee, the Contractor shall furnish satisfactory evidence as to the kind and quality of materials and equipment. Such warranty shall continue for a period of one (1) year from the date of Substantial Completion of the Work. Under this warranty, the Contractor shall remedy at his expense any such failure for the Work to be conforming to the requirement of the Contract, or any other defect appearing in the Work. In addition, the Contractor shall remedy at his own expense, any damage to Owner's owned, controlled, real or personal property, when that damage is the result of the Contractor's failure to provide conforming Work as it relates to the Contract Documents or any other defect of equipment, material, workmanship or design. The Contractor shall also restore any Work damaged in fulfilling its obligations under the terms of this provision. The Contractor's warranty with respect to the Work repaired or replaced hereunder will run for a period of one (1) year from the date of repair or replacement.

§ 3.6 TAXES

The Contractor shall pay use and similar taxes for the Work provided by the Contractor that are legally enacted when bids are received or negotiations concluded, whether or not yet effective or merely scheduled to go into effect.

§ 3.7 PERMITS, FEES, NOTICES AND COMPLIANCE WITH LAWS

§ 3.7.1 Unless otherwise provided in the Contract Documents, the Contractor shall secure and pay for the building permit as well as for other permits, fees, licenses, and inspections by government agencies necessary for proper execution and completion of the Work that are customarily secured after execution of the Contract and legally required at the time bids are received or negotiations concluded.

§ 3.7.2 The Contractor shall comply with and give notices required by applicable laws, statutes, ordinances, codes, rules and regulations, and lawful orders of public authorities applicable to performance of the Work.

§ 3.7.3 If the Contractor performs Work knowing it to be contrary to applicable laws, statutes, ordinances, codes, rules and regulations, or lawful orders of public authorities, the Contractor shall assume appropriate responsibility for such Work and shall bear the costs attributable to correction.

§ 3.7.4 **Concealed or Unknown Conditions.** If the Contractor encounters conditions at the site that are (1) subsurface or otherwise concealed physical conditions that differ materially from those indicated in the Contract Documents or (2) unknown physical conditions of an unusual nature, that differ materially from those ordinarily found to exist and generally recognized as inherent in construction activities of the character provided for in the Contract Documents, the Contractor shall promptly provide notice to the Owner and the Engineer, or his designee before conditions are disturbed and in no event later than 21 days after first observance of the conditions. The Engineer, or his designee will promptly investigate such conditions and, if the Engineer, or his designee determines that they differ materially and cause an increase or decrease in the Contractor's cost of, or time required for, performance of any part of the Work, will recommend an equitable adjustment in the Contract Sum or Contract Time, or both. If the Engineer, or his designee determines that the conditions at the site are not materially different from those indicated in the Contract Documents and that no change in the terms of the Contract is justified, the Engineer, or his designee shall promptly notify the Owner and Contractor in writing, stating the reasons. If either party disputes the Engineer, or his designee's determination or recommendation, that party may proceed as provided in Article 15.

§ 3.7.5 If, in the course of the Work, the Contractor encounters human remains or recognizes the existence of burial markers, archaeological sites or wetlands not indicated in the Contract Documents, the Contractor shall immediately suspend any operations that would affect them and shall notify the Owner and Engineer, or his designee. Upon receipt of such notice, the Owner shall promptly take any action necessary to obtain governmental authorization required to resume the operations. The Contractor shall continue to suspend such operations until otherwise instructed by the Owner but shall continue with all other operations that do not affect those remains or features. Requests for adjustments in the Contract Sum and Contract Time arising from the existence of such remains or features may be made as provided in Article 15.

§ 3.8 ALLOWANCES

§ 3.8.1 The Contractor shall include in the Contract Sum all allowances stated in the Contract Documents. Items covered by allowances shall be supplied for such amounts and by such persons or entities as the Owner may direct.

§ 3.8.2 Unless otherwise provided in the Contract Documents,

- .1 Allowances shall cover the cost to the Contractor of materials and equipment delivered at the site and all required taxes, less applicable trade discounts;
- .2 Contractor's costs for unloading and handling at the site, labor, installation costs, overhead, profit and other expenses contemplated for stated allowance amounts shall be included in the Contract Sum but not in the allowances; and
- .3 Whenever costs are more than or less than allowances, the Contract Sum shall be adjusted accordingly by Change Order. The amount of the Change Order shall reflect (1) the difference between actual costs and the allowances under Section 3.8.2.1 and (2) changes in Contractor's costs under Section 3.8.2.2. The unused balance of any allowance shall be deducted from the Contract Sum upon completion and acceptance of the Work by Change Order.

§ 3.8.3 Materials and equipment under an allowance shall be selected by the Owner with reasonable promptness.

§ 3.9 SUPERINTENDENT

§ 3.9.1 The Contractor shall employ a competent superintendent and necessary assistants who shall be in attendance at the Project site during performance of the Work. The superintendent shall represent the Contractor, and communications given to the superintendent shall be as binding as if given to the Contractor.

§ 3.9.2 The Contractor, as soon as practicable after award of the Contract, shall furnish in writing to the Owner through the Engineer, or his designee the name and qualifications of a proposed superintendent. The Engineer, or his designee may reply within 14 days to the Contractor in writing stating (1) whether the Owner or the Engineer, or his designee has reasonable objection to the proposed superintendent or (2) that the Engineer, or his designee requires additional time to review. Failure of the Engineer, or his designee to reply within the 14 day period shall constitute notice of no reasonable objection.

§ 3.9.3 The Contractor shall not employ a proposed superintendent to whom the Owner or Engineer, or his designee has made reasonable and timely objection. The Contractor shall not change the superintendent without the Owner's consent, which shall not unreasonably be withheld or delayed.

§ 3.10 CONTRACTOR'S CONSTRUCTION SCHEDULES

§ 3.10.1 The Contractor, promptly after being awarded the Contract, shall prepare and submit for the Owner's and Engineer, or his designee's information a Contractor's construction schedule for the Work. The schedule shall not exceed time limits current under the Contract Documents, shall be revised at appropriate intervals as required by the conditions of the Work and Project, shall be related to the entire Project to the extent required by the Contract Documents, and shall provide for expeditious and practicable execution of the Work.

§ 3.10.2 The Contractor shall prepare a submittal schedule, promptly after being awarded the Contract and thereafter as necessary to maintain a current submittal schedule, and shall submit the schedule(s) for the Engineer, or his designee's approval. The Engineer, or his designee's approval shall not unreasonably be delayed or withheld. The submittal schedule shall (1) be coordinated with the Contractor's construction schedule, and (2) allow the Engineer, or his designee reasonable time to review submittals. If the Contractor fails to submit a submittal

schedule, the Contractor shall not be entitled to any increase in Contract Sum or extension of Contract Time based on the time required for review of submittals.

§ 3.10.3 The Contractor shall perform the Work in general accordance with the most recent schedules submitted to the Owner and Engineer, or his designee .

§3.10.4 Should the Contractor responsible for the scheduling requirements of Article 3 herein fail to comply with said scheduling requirements, said failure shall result in the following:

- 1 all claims resulting from the Contractor's failure to prepare or submit a schedule shall be the Contractor's responsibility;
- 2 shall constitute an act of default and a substantial breach of the Contract giving the Owner remedies under the Contract Documents; and
- 3 the Owner shall have the right to withhold any payments until the Contractor complies with the scheduling requirements of Article 3 herein.

§3.10.5 In the event of a Five Prime Contract, the General Contractor shall be responsible for the preparation and submittal of the schedule.

§ 3.11 DOCUMENTS AND SAMPLES AT THE SITE

The Contractor shall maintain at the site for the Owner one copy of the Drawings, Specifications, Addenda, Change Orders and other Modifications, in good order and marked currently to indicate field changes and selections made during construction, and one copy of approved Shop Drawings, Product Data, Samples and similar required submittals. These shall be available to the Engineer, or his designee and shall be delivered to the Engineer, or his designee for submittal to the Owner upon completion of the Work as a record of the Work as constructed.

§ 3.12 SHOP DRAWINGS, PRODUCT DATA AND SAMPLES

§ 3.12.1 Shop Drawings are drawings, diagrams, schedules and other data specially prepared for the Work by the Contractor or a Subcontractor, Sub-subcontractor, manufacturer, supplier or distributor to illustrate some portion of the Work.

§ 3.12.2 Product Data are illustrations, standard schedules, performance charts, instructions, brochures, diagrams and other information furnished by the Contractor to illustrate materials or equipment for some portion of the Work.

§ 3.12.3 Samples are physical examples that illustrate materials, equipment or workmanship and establish standards by which the Work will be judged.

§ 3.12.4 Shop Drawings, Product Data, Samples and similar submittals are not Contract Documents. Their purpose is to demonstrate the way by which the Contractor proposes to conform to the information given and the design concept expressed in the Contract Documents for those portions of the Work for which the Contract Documents require submittals. Review by the Engineer, or his designee is subject to the limitations of Section 4.2.7. Informational submittals upon which the Engineer, or his designee is not expected to take responsive action may be so identified in the Contract Documents. Submittals that are not required by the Contract Documents may be returned by the Engineer, or his designee without action.

§ 3.12.5 The Contractor shall review for compliance with the Contract Documents, approve and submit to the Engineer, or his designee Shop Drawings, Product Data, Samples and similar submittals required by the Contract Documents in accordance with the submittal schedule approved by the Engineer, or his designee or, in the absence of an approved submittal schedule, with reasonable promptness and in such sequence as to cause no delay in the Work or in the activities of the Owner or of separate contractors.

§ 3.12.6 By submitting Shop Drawings, Product Data, Samples and similar submittals, the Contractor represents to the Owner and Engineer, or his designee that the Contractor has (1) reviewed and approved them, (2) determined and verified materials, field measurements and field construction criteria related thereto, or will do so and (3) checked and coordinated the information contained within such submittals with the requirements of the Work and of the Contract Documents.

§ 3.12.7 The Contractor shall perform no portion of the Work for which the Contract Documents require submittal and review of Shop Drawings, Product Data, Samples or similar submittals until the respective submittal has been approved by the Engineer, or his designee .

§ 3.12.8 The Work shall be in accordance with approved submittals except that the Contractor shall not be relieved of responsibility for deviations from requirements of the Contract Documents by the Engineer or his designee 's approval of Shop Drawings, Product Data, Samples or similar submittals unless the Contractor has specifically informed the Engineer, or his designee in writing of such deviation at the time of submittal and (1) the Engineer, or his designee has given written approval to the specific deviation as a minor change in the Work, or (2) a Change Order or Construction Change Directive has been issued authorizing the deviation. The Contractor shall not be relieved of responsibility for errors or omissions in Shop Drawings, Product Data, Samples or similar submittals by the Engineer, or his designee 's approval thereof.

§ 3.12.9 The Contractor shall direct specific attention, in writing or on resubmitted Shop Drawings, Product Data, Samples or similar submittals, to revisions other than those requested by the Engineer, or his designee on previous submittals. In the absence of such written notice, the Engineer, or his designee 's approval of a resubmission shall not apply to such revisions.

§ 3.12.10 The Contractor shall not be required to provide professional services that constitute the practice of Engineer, or his designee ure or engineering unless such services are specifically required by the Contract Documents for a portion of the Work or unless the Contractor needs to provide such services in order to carry out the Contractor's responsibilities for construction means, methods, techniques, sequences and procedures. The Contractor shall not be required to provide professional services in violation of applicable law. If professional design services or certifications by a design professional related to systems, materials or equipment are specifically required of the Contractor by the Contract Documents, the Owner and the Engineer, or his designee will specify all performance and design criteria that such services must satisfy. The Contractor shall cause such services or certifications to be provided by a properly licensed design professional, whose signature and seal shall appear on all drawings, calculations, specifications, certifications, Shop Drawings and other submittals prepared by such professional. Shop Drawings and other submittals related to the Work designed or certified by such professional, if prepared by others, shall bear such professional's written approval when submitted to the Engineer or his designee . The Owner and the Engineer, or his designee shall be entitled to rely upon the adequacy, accuracy and completeness of the services, certifications and approvals performed or provided by such design professionals, provided the Owner and Engineer, or his designee have specified to the Contractor all performance and design criteria that such services must satisfy. Pursuant to this Section 3.12.10, the Engineer, or his designee will review, approve or take other appropriate action on submittals only for the limited purpose of checking for conformance with information given and the design concept expressed in the Contract Documents. The Contractor shall not be responsible for the adequacy of the performance and design criteria specified in the Contract Documents.

§ 3.13 USE OF SITE

§ 3.13.1 The Contractor shall confine operations at the site to areas permitted by applicable laws, statutes, ordinances, codes, rules and regulations, and lawful orders of public authorities and the Contract Documents and shall not unreasonably encumber the site with materials or equipment.

§ 3.13.2 The Contractor shall coordinate the Contractor's operations with, and secure the approval of, the Owner before using any portion of the Site.

§ 3.13.3 The Contractor shall store its apparatuses, materials, supplies, and equipment in such orderly fashion at the Site of the Work, if permitted, as will not unduly interfere with the progress of the Work or ongoing operations. The Contractor shall provide protective fencing around the designated storage areas.

§ 3.13.4 The Contractor shall see that stockpiles of materials and storage of equipment are kept to a minimum and neatly stored where directed by the Owner and the Engineer, or his designee .

§ 3.13.5 If the Work is to be executed in areas occupied by the Owner, the Contractor shall inform the Owner in advance of the areas scheduled to be worked on, so that the Owner's personnel may make proper preparations to protect equipment and records.

§3.13.6 The Contractor understands that some or all the Work of the Contract may be performed while the facilities are occupied by personnel, and accordingly shall make all reasonable and necessary provisions to ensure that the contract Work will be of minimal disruption to the environment.

§3.13.7 Materials and equipment that are to be used only directly in the Work, shall be brought to and stored on the Project site by the Contractor. After equipment is no longer required for the Work, it shall be promptly removed from the Project Site. Protection of construction materials and equipment stored at the Project Site from weather, theft, damage and all other adversity is solely the Contractor's responsibility. The Contractor shall bear the responsibility to replace all such materials that may be lost, damaged, or stolen at its expense, whether such materials or equipment have been entirely or partially paid for by the Owner.

§3.13.8 The Contractor and any entity for whom the Contractor is responsibility, shall not erect any sign on the Project Site without the prior written consent of the Owner, which may be withheld in the sole discretion of the Owner.

§3.13.9 Contractor shall ensure that the Work is performed at all times in a manner that affords reasonable access, both vehicular and pedestrian, to the Site of the Work and all adjacent areas. The Work shall be performed, to the fullest extent reasonably possible, in such a manner that public areas adjacent to the Site of the Work shall be free from all debris, building materials, and equipment likely to cause hazardous conditions.

§3.13.10 Without prior approval of the Owner, the Contractor shall not permit any workers to use any existing facilities at the Project Site, including, without limitation, the lavatories, toilets, entrances, and parking areas, other than those designated by the Owner. Without limitation of any other provision of the Contract Documents, the Contractor shall use its best efforts to comply with all rules and regulations promulgated by the Owner in connection with the use and occupancy of the Project Site and the Building, as amended from time to time. The Contractor shall immediately notify the Owner in writing, if during the performance of the Work, the Contractor finds compliance with any portion of such rules and regulations to be impracticable. This notification shall set forth the problems of such compliance and shall suggest alternatives through which the same results intended by such portions of the rules and regulations can be achieved. The Owner may, in the Owner's sole discretion, adopt such suggestions, develop new alternatives or require compliance with the existing requirements of the rules and regulations. The Contractor shall also comply with all insurance requirements and collective bargaining agreements applicable to use and occupancy of the Project Site and the Building.

§ 3.14 CUTTING AND PATCHING

§ 3.14.1 The Contractor shall be responsible for cutting, fitting or patching required to complete the Work or to make its parts fit together properly. All areas requiring cutting, fitting and patching shall be restored to the condition existing prior to the cutting, fitting and patching, unless otherwise required by the Contract Documents. Any costs incurred by the Onwer for defective cutting or patching shall be borne by the Contractor responsible therefore.

§ 3.14.2 The Contractor shall not damage or endanger a portion of the Work or fully or partially completed construction of the Owner or separate contractors by cutting, patching or otherwise altering such construction, or by excavation. The Contractor shall not cut or otherwise alter such construction by the Owner or a separate Contractor except with written consent of the Owner and of such separate Contractor; such consent shall not be unreasonably withheld. The Contractor shall not unreasonably withhold from the Owner or a separate Contractor the Contractor's consent to cutting or otherwise altering the Work.

§ 3.15 CLEANING UP

§ 3.15.1 The Contractor shall keep the premises and surrounding area free from accumulation of waste materials or rubbish caused by operations under the Contract. At completion of the Work, the Contractor shall remove waste materials, rubbish, the Contractor's tools, construction equipment, machinery and surplus materials from and about the Project.

§ 3.15.2 If the Contractor fails to clean up as provided in the Contract Documents, the Owner may do so and Owner shall be entitled to reimbursement from the Contractor, or shall be entitled to reduce the Contract Amount in an amount equal to the Owner's cost to clean up.

§3.15.3 The Contractor shall, on a daily basis, clean debris resulting from its Work, and protect construction in progress and maintain adjoining materials in place during handling and installation, and provide protective covering where required to assure protection from damage or deterioration until Substantial Completion.

§3.15.4 The Contractor shall clean and provide maintenance on completed construction, after installation, as frequently as necessary through the remainder of the construction period.

§3.15.5 The Contractor shall supervise its construction operations to assure that no part of the construction, completed or in progress, is subject to harmful, dangerous, damaging, or otherwise deleterious exposure during the construction period. The term "clean" shall include the removal of debris from the work area to dumpsters furnished by the Prime General Work Contractor or the Contractor for Single Overall Contract Work, whichever contracting method shall apply.

§ 3.16 ACCESS TO WORK

The Contractor shall provide the Owner and Engineer, or his designee access to the Work in preparation and progress wherever located.

§ 3.17 ROYALTIES, PATENTS AND COPYRIGHTS

The Contractor shall pay all royalties and license fees. The Contractor shall defend suits or claims for infringement of copyrights and patent rights and shall hold the Owner and Engineer, or his designee harmless from loss on account thereof, but shall not be responsible for such defense or loss when a particular design, process or product of a particular manufacturer or manufacturers is required by the Contract Documents, or where the copyright violations are contained in Drawings, Specifications or other documents prepared by the Owner or Engineer, or his designee. However, if the Contractor has reason to believe that the required design, process or product is an infringement of a copyright or a patent, the Contractor shall be responsible for such loss unless such information is promptly furnished to the Engineer, or his designee.

§ 3.18 INDEMNIFICATION

§ 3.18.1 The County of Union requires all bidders to accept the following indemnification requirements in the event the County accepts their bid. The Contract awarded by the County to the successful bidder will contain the following provision:

"To the fullest extent permitted by law the Contractor shall indemnify and hold harmless the Owner and Owner's consultants, agents, representatives, and employees from and against any and all claims, damages, losses, costs, and expenses, including, but not limited to attorney's fees, legal costs and legal expenses arising out of or resulting from the performance of the Contractor's work under this contract, provided that such claim, damage, loss, cost or expense is attributable to bodily injury, sickness, disease or death, or to injury to or destruction of tangible property (other than work itself) caused or alleged to be caused by the negligent acts, negligent omissions, and/or fault of the Contractor, anyone directly or indirectly employed or retained by the Contractor, or anyone for whose acts the Contractor may be liable regardless of whether caused in part by the negligent act or omission of a party indemnified hereunder provided it is not caused by the sole negligence of a party indemnified hereunder. Contractor shall further indemnify and hold harmless the Owner and the Owner's consultants, agents, representative, and employees from and against any and all claims, damages, losses, costs, and expenses, including, but not limited to attorneys' fees, legal costs and legal expenses, arising out of or resulting from performance of the work, provided that such claims, damage, loss, cost, or expense is attributable to bodily injury, sickness, disease or death, or to injury to destruction of tangible property (other than work itself) caused or alleged to be caused by the negligent acts, negligent omissions, and/or fault of the Owner or the Owner's consultants, agents, representatives, or employees and arises out of this project and provided such claim, damage, loss, cost, or expense is not caused by the sole negligence of a party indemnified hereunder."

§ 3.18.2 In claims against any person or entity indemnified under this Section 3.18 by an employee of the Contractor, a Subcontractor, anyone directly or indirectly employed by them or anyone for whose acts they may be liable, the indemnification obligation under Section 3.18.1 shall not be limited by a limitation on amount or type of damages, compensation or benefits payable by or for the Contractor or a Subcontractor under workers' compensation acts, disability benefit acts or other employee benefit acts.

ARTICLE 4 ENGINEER, OR HIS DESIGNEE OR ENGINEER

§ 4.1 GENERAL

§ 4.1.1 The Owner shall retain an Engineer, or his designee lawfully licensed to practice Engineer, or his designee in the jurisdiction where the Project is located. That person or entity is identified as the Engineer, or his designee in the Agreement and is referred to throughout the Contract Documents as if singular in number.

§ 4.1.2 Duties, responsibilities and limitations of authority of the Engineer, or his designee as set forth in the Contract Documents shall not be restricted, modified or extended without written consent of the Owner, Contractor and Engineer, or his designee. Consent shall not be unreasonably withheld.

§ 4.2 ADMINISTRATION OF THE CONTRACT

§ 4.2.1 The Engineer, or his designee will provide administration of the Contract as set forth in its respective Agreements with the Owner and as described in the Contract Documents.

§ 4.2.2 The Engineer, or his designee will visit the site at intervals appropriate to the stage of construction, or as otherwise agreed with the Owner, to become generally familiar with the progress and quality of the portion of the Work completed, and to determine in general if the Work observed is being performed in a manner indicating that the Work, when fully completed, will be in accordance with the Contract Documents.

§ 4.2.3 On the basis of the site visits, the Engineer, or his designee will keep the Owner reasonably informed about the progress and quality of the portion of the Work completed, and report to the Owner (1) known deviations from the Contract Documents and from the most recent construction schedule submitted by the Contractor, and (2) defects and deficiencies observed in the Work.

§ 4.2.4 COMMUNICATIONS FACILITATING CONTRACT ADMINISTRATION

Except as otherwise provided in the Contract Documents or when direct communications have been specially authorized, the Owner and Contractor shall endeavor to communicate with each other through the Engineer, or his designee about matters arising out of or relating to the Contract. Communications by and with the Engineer, or his designee's consultants shall be through the Engineer, or his designee. Communications by and with Subcontractors and material suppliers shall be through the Contractor. Communications by and with separate contractors shall be through the Owner.

§ 4.2.5 Based on the Engineer, or his designee's evaluations of the Contractor's Applications for Payment, the Engineer, or his designee will review and certify the amounts due the Contractor and will issue Certificates for Payment in such amounts.

§ 4.2.6 The Engineer, or his designee has authority to reject Work that does not conform to the Contract Documents. Whenever the Engineer, or his designee considers it necessary or advisable, the Engineer, or his designee will have authority to require inspection or testing of the Work in accordance with Sections 13.5.2 and 13.5.3, whether or not such Work is fabricated, installed or completed. However, neither this authority of the Engineer, or his designee nor a decision made in good faith either to exercise or not to exercise such authority shall give rise to a duty of responsibility of the Engineer, or his designee to the Contractor, Subcontractors, material and equipment suppliers, their agents or employees, or other persons or entities performing portions of the Work.

§ 4.2.7 The Engineer, or his designee will review and approve, or take other appropriate action upon, the Contractor's submittals such as Shop Drawings, Product Data and Samples, but only for the limited purpose of checking for conformance with information given and the design concept expressed in the Contract Documents. The Engineer, or his designee's action will be taken in accordance with the submittal schedule approved by the Engineer, or his designee or, in the absence of an approved submittal schedule, with reasonable promptness while allowing sufficient time in the Engineer, or his designee's professional judgment to permit adequate review. Review of such submittals is not conducted for the purpose of determining the accuracy and completeness of other details such as dimensions and quantities, or for substantiating instructions for installation or performance of equipment or systems, all of which remain the responsibility of the Contractor as required by the Contract Documents. The Engineer, or his designee's review of the Contractor's submittals shall not relieve the Contractor of the obligations under Sections 3.3, 3.5 and 3.12. The Engineer, or his designee's review shall not constitute

approval of safety precautions or, unless otherwise specifically stated by the Engineer, or his designee, of any construction means, methods, techniques, sequences or procedures. The Engineer, or his designee's approval of a specific item shall not indicate approval of an assembly of which the item is a component.

§ 4.2.8 The Engineer, or his designee will prepare Change Orders and Construction Change Directives, and may authorize minor changes in the Work as provided in Section 7. The Engineer, or his designee will investigate and make determinations and recommendations regarding concealed and unknown conditions as provided in Section 3.7.4.

§ 4.2.9 The Engineer, or his designee will conduct inspections to determine the date or dates of Substantial Completion and the date of final completion; issue Certificates of Substantial Completion pursuant to Section 9.8; receive and forward to the Owner, for the Owner's review and records, written warranties and related documents required by the Contract and assembled by the Contractor pursuant to Section 9.10; and issue a final Certificate for Payment pursuant to Section 9.10.

§ 4.2.10 If the Owner and Engineer, or his designee agree, the Engineer, or his designee will provide one or more project representatives to assist in carrying out the Engineer, or his designee's responsibilities at the site. The duties, responsibilities and limitations of authority of such project representatives shall be as set forth in the Owner's Agreement with the Engineer, or his designee.

§ 4.2.11 The Engineer, or his designee will interpret and decide matters concerning performance under, and requirements of, the Contract Documents on written request of either the Owner or Contractor. The Engineer, or his designee's response to such requests will be made in writing within any time limits agreed upon or otherwise with reasonable promptness.

§ 4.2.12 Interpretations and decisions of the Engineer, or his designee will be consistent with the intent of, and reasonably inferable from, the Contract Documents and will be in writing or in the form of drawings. When making such interpretations and decisions, the Engineer, or his designee will endeavor to secure faithful performance by both Owner and Contractor and will not show partiality.

§ 4.2.13 The Engineer, or his designee will review and respond to requests for information about the Contract Documents. The Engineer, or his designee's response to such requests will be made in writing within any time limits agreed upon or otherwise with reasonable promptness. If appropriate, the Engineer, or his designee will prepare and issue supplemental Drawings and Specifications in response to the requests for information.

ARTICLE 5 SUBCONTRACTORS

§ 5.1 DEFINITIONS

§ 5.1.1 A Subcontractor is a person or entity who has a direct contract with the Contractor to perform a portion of the Work at the site. The term "Subcontractor" is referred to throughout the Contract Documents as if singular in number and means a Subcontractor or an authorized representative of the Subcontractor. The term "Subcontractor" does not include a separate Contractor or subcontractors of a separate Contractor.

§ 5.1.2 A Sub-subcontractor is a person or entity who has a direct or indirect contract with a Subcontractor to perform a portion of the Work at the site. The term "Sub-subcontractor" is referred to throughout the Contract Documents as if singular in number and means a Sub-subcontractor or an authorized representative of the Sub-subcontractor.

§ 5.2 AWARD OF SUBCONTRACTS AND OTHER CONTRACTS FOR PORTIONS OF THE WORK

§ 5.2.1 Identification of Subcontractors required by N.J.S.A. 40A:11-16 shall be provided with the bid submission in accordance with the requirements of that statute. Names of persons or entities for any Subcontractor not covered by N.J.S.A. 18A-18 shall be furnished within thirty (30) thirty days of notification of Award of Contract. The Engineer, or his designee will notify the Contractor in writing if the Owner or Engineer, or his designee, after due investigation, has reasonable objection to any such proposed person or entity. The list of proposed Subcontractors shall include a description of the materials and equipment each proposes to furnish and install in the Work. The description shall be insufficient detail to allow the Engineer, or his designee to determine general conformance to Contract requirements. Approval of the submittals as required under this Article shall not relieve the Contractor from conformance to Contract requirements.

§5.2.2 Subcontractors shall comply with the statutory requirements of N.J.S.A. 34:11-56.25 and N.J.S.A. 34:11-56.48. Any subcontractors who fail to comply with those statutory provisions shall be rejected.

§5.2.3 Written confirmation of award of each major subcontract shall be submitted to the Owner by the Contractor, in form subject to his approval, within seven (7) days after receipt of Owner's approval of proposed Subcontractor list as provided under this Article. Every subcontract shall be in writing, shall be submitted to Owner for review and approval prior to execution, and shall specifically provide that the Owner is an intended third (3rd) party beneficiary of such subcontract.

§ 5.2.4 The Contractor shall not contract with a proposed person or entity to whom the Owner or Engineer, or his designee has made reasonable and timely objection. The Contractor shall not be required to contract with anyone to whom the Contractor has made reasonable objection.

§ 5.2.5 If the Owner or Engineer, or his designee has reasonable objection to a person or entity proposed by the Contractor, the Contractor shall propose another to whom the Owner or Engineer, or his designee has no reasonable objection. If the proposed but rejected Subcontractor was reasonably capable of performing the Work, the Contract Sum and Contract Time shall be increased or decreased by the difference, if any, occasioned by such change, and an appropriate Change Order shall be issued before commencement of the substitute Subcontractor's Work. However, no increase in the Contract Sum or Contract Time shall be allowed for such change unless the Contractor has acted promptly and responsively in submitting names as required.

§ 5.2.6 The Contractor shall not substitute a Subcontractor, person or entity previously selected if the Owner or Engineer, or his designee makes reasonable objection to such substitution.

§ 5.3 SUBCONTRACTUAL RELATIONS

§5.3.1 By appropriate agreement, written where legally required for validity, the Contractor shall require each Subcontractor, to the extent of the Work to be performed by the Subcontractor, to be bound to the Contractor by terms of the Contract Documents, and to assume toward the Contractor all the obligations and responsibilities, including the responsibility for safety of the Subcontractor's Work, which the Contractor, by these Documents, assumes toward the Owner and Engineer, or his designee. Each subcontract agreement shall preserve and protect the rights of the Owner and Engineer, or his designee under the Contract Documents and at law. No Subcontract shall diminish in any way any rights or benefits conferred upon the Owner by these Contract Documents. The Contractor shall make all Contract Documents available to the Subcontractors.

§5.3.2 Where the Contractor sublets portions of the Work, the entire responsibility for the subdividing of Work rests with the Contractor. The Owner and the Engineer, or his designee are not responsible for the manner of the subdivision of the Work, nor will they enter into or settle disagreements or disputes between Contractor and Subcontractors. The Contractor is, and will be held, responsible for the proper execution of the Work of all Subcontractors.

§ 5.4 CONTINGENT ASSIGNMENT OF SUBCONTRACTS

§ 5.4.1 Each subcontract agreement for a portion of the Work is assigned by the Contractor to the Owner, provided that

- 1 assignment is effective only after termination of the Contract by the Owner for cause pursuant to Section 14.2 and only for those subcontract agreements that the Owner accepts by notifying the Subcontractor and Contractor in writing.

§ 5.4.2 Upon such assignment to the Owner under this Section 5.4, the Owner may further assign the subcontract to a successor Contractor or other entity.

ARTICLE 6 CONSTRUCTION BY OWNER OR BY SEPARATE CONTRACTORS

§ 6.1 OWNER'S RIGHT TO PERFORM CONSTRUCTION AND TO AWARD SEPARATE CONTRACTS

§ 6.1.1 The Owner reserves the right to perform construction or operations related to the Project with the Owner's own forces, and to award separate contracts in connection with other portions of the Project or other construction or operations on the site.

§ 6.1.2 The Owner shall provide for coordination of the activities of the Owner's own forces and of each separate Contractor with the Work of the Contractor, who shall cooperate with them. The Contractor shall participate with other separate contractors and the Owner in reviewing their construction schedules. The Contractor shall make any revisions to the construction schedule deemed necessary after a joint review and mutual agreement. The construction schedules shall then constitute the schedules to be used by the Contractor, separate contractors and the Owner until subsequently revised.

§ 6.2 MUTUAL RESPONSIBILITY

§ 6.2.1 The Contractor shall afford the Owner and separate contractors reasonable opportunity for introduction and storage of their materials and equipment and performance of their activities, and shall connect and coordinate the Contractor's construction and operations with theirs as required by the Contract Documents.

§ 6.2.2 If part of the Contractor's Work depends for proper execution or results upon construction or operations by the Owner or a separate Contractor, the Contractor shall, prior to proceeding with that portion of the Work, promptly report to the Engineer, or his designee apparent discrepancies or defects in such other construction that would render it unsuitable for such proper execution and results. Failure of the Contractor so to report shall constitute an acknowledgment that the Owner's or separate Contractor's completed or partially completed construction is fit and proper to receive the Contractor's Work, except as to defects not then reasonably discoverable.

§ 6.2.3 The Contractor shall reimburse the Owner for costs the Owner incurs that are payable to a separate Contractor because of the Contractor's delays, improperly timed activities or defective construction. The Owner shall be responsible to the Contractor for costs the Contractor incurs because of a separate Contractor's delays, improperly timed activities, damage to the Work or defective construction.

§ 6.2.4 The Contractor shall promptly remedy damage the Contractor wrongfully causes to completed or partially completed construction or to property of the Owner or separate contractors as provided in Section 10.2.5.

§ 6.2.4.1 Should the Contractor cause damage to the Work or property of any separate Contractor on the Project, the Contractor shall promptly settle with such other Contractor by agreement, or otherwise resolve the dispute. If such separate Contractor institutes any legal proceeding against the Owner on account of any damage alleged to have been so sustained, the Contractor shall, indemnify, defend, or bear the cost of defense as the Owner shall in its own discretion determine, and hold the Owner's harmless. Said Indemnification shall be governed by Section 13, Page G7 of the Instructions to Bidders.

§ 6.2.5 The Owner and each separate Contractor shall have the same responsibilities for cutting and patching as are described for the Contractor in Section 3.14.

§ 6.3 OWNER'S RIGHT TO CLEAN UP

If a dispute arises among the Contractor, separate contractors and the Owner as to the responsibility under their respective contracts for maintaining the premises and surrounding area free from waste materials and rubbish, the Owner may clean up and the Engineer, or his designee will allocate the cost among those responsible, which amounts the Owner shall be entitled to reduce the Contract Amounts of the various contracts of those responsible.

ARTICLE 7 CHANGES IN THE WORK

§ 7.1 GENERAL

§ 7.1.1 Changes in the Work may be accomplished after execution of the Contract, and without invalidating the Contract, by Change Order, Construction Change Directive or order for a minor change in the Work, subject to the limitations stated in this Article 7 and elsewhere in the Contract Documents. Change Orders and Construction Change Directives shall be subject to and processed in accordance with N.J.A.C. 6A:23-7 and N.J.A.C. 6A:26-4.9, where applicable.

§ 7.1.2 A Change Order shall be based upon agreement among the Owner, Contractor and Engineer, or his designee; a Construction Change Directive requires a written agreement by the Owner and Engineer, or his designee and may or may not be agreed to by the Contractor; an order for a minor change in the Work which does not extend the Contract Time, increase the Contract Sum or change the Project Scope may be issued by the Engineer, or his designee alone.

§ 7.1.3 Changes in the Work shall be performed under applicable provisions of the Contract Documents, and the Contractor shall proceed promptly, unless otherwise provided in the Change Order, Construction Change Directive or order for a minor change in the Work.

§ 7.1.4 In order to facilitate checking of quotations for extras or credits, all proposals shall be accompanied by a complete itemization of costs including labor, materials and subcontracts. Labor and materials shall be itemized in the manner prescribed above. Where major cost items are subcontracts, they shall be itemized also. In no case will a change be approved without such itemization.

§ 7.2 CHANGE ORDERS

§ 7.2.1 A Change Order is a written instrument prepared by the Engineer, or his designee and signed by the Owner, Contractor and Engineer, or his designee stating their agreement upon all of the following:

- .1 The change in the Work;
- .2 The amount of the adjustment, if any, in the Contract Sum; and
- .3 The extent of the adjustment, if any, in the Contract Time.

A Change Order shall not require consent of the Owner if the Owner has provided an allowance for such a change.

§ 7.2.2 Methods used in determining adjustments to the Contract Sum shall be those listed in Section 7.3.3.

§ 7.2.3 Agreement on any Change Order shall constitute a final settlement of all matters relating to the change in the Work that is the subject of the Change Order, including, but not limited to, all direct and indirect costs associated with such change, and any and all adjustments to the Contract Sum and the construction schedule. In the event a Change Order increases the Contract Sum, Contractor shall include the Work covered by such Change Orders in Applications for Payment as if such Work were originally part of the Contract Documents.

§ 7.3 CONSTRUCTION CHANGE DIRECTIVES

§ 7.3.1 A Construction Change Directive is a written order prepared by the Engineer, or his designee and signed by the Owner and Engineer, or his designee, directing a change in the Work prior to agreement on adjustment, if any, in the Contract Sum or Contract Time, or both. A Construction Change Directive shall not require the Agreement of the Engineer, or his designee if the Owner specifically waives their consent in writing. The Owner may by Construction Change Directive, without invalidating the Contract, order changes in the Work within the general scope of the Contract consisting of additions, deletions or other revisions, the Contract Sum and Contract Time being adjusted accordingly.

§ 7.3.2 A Construction Change Directive shall be used in the absence of total agreement on the terms of a Change Order.

§ 7.3.3 If the Construction Change Directive provides for an adjustment to the Contract Sum, the adjustment shall be based on one of the following methods:

- .1 Mutual acceptance of a lump sum properly itemized and supported by sufficient substantiating data to permit evaluation;
- .2 Unit prices stated in the Contract Documents or subsequently agreed upon;
- .3 Cost to be determined in a manner agreed upon by the parties and a mutually acceptable fixed or percentage fee; or
- .4 As provided in Section 7.3.6.

§ 7.3.4 Upon receipt of a Construction Change Directive, the Contractor shall promptly proceed with the change in the Work involved and advise the Engineer, or his designee of the Contractor's agreement or disagreement with the method, if any, provided in the Construction Change Directive for determining the proposed adjustment in the Contract Sum or Contract Time. The Contractor's failure to comply with a Construction Change Directive shall constitute an incident of default and cause for termination by the Owner.

§ 7.3.5 A Construction Change Directive signed by the Contractor indicates the Contractor's agreement therewith, including adjustment in Contract Sum and Contract Time or the method for determining them. Such agreement shall be effective immediately and shall be recorded as a Change Order.

§ 7.3.6 If the Contractor does not respond promptly or disagrees with the method for adjustment in the Contract Sum, the Engineer, or his designee shall determine the method and the adjustment on the basis of reasonable expenditures and savings of those performing the Work attributable to the change, including, in case of an increase in the Contract Sum, an amount for overhead and profit as set forth in the Agreement, or if no such amount is set forth in the Agreement, a reasonable amount. In such case, and also under Section 7.3.3.3, the Contractor shall keep and present, in such form as the Engineer, or his designee may prescribe, an itemized accounting together with appropriate supporting data. Unless otherwise provided in the Contract Documents, costs for the purposes of this Section 7.3.6 shall be limited to the following:

- .1 Costs of labor, including social security, old age and unemployment insurance, fringe benefits required by agreement or custom, and workers' compensation insurance;
- .2 Costs of materials, supplies and equipment, including cost of transportation, whether incorporated or consumed;
- .3 Rental costs of machinery and equipment, exclusive of hand tools, whether rented from the Contractor or others; and
- .4 Costs of premiums for all bonds and insurance, permit fees, and sales, use or similar taxes related to the Work.

§ 7.3.7 The amount of credit to be allowed by the Contractor to the Owner for a deletion or change that results in a net decrease in the Contract Sum shall be actual net cost as confirmed by the Engineer, or his designee. When both additions and credits covering related Work or substitutions are involved in a change, the allowance for overhead and profit shall be figured on the basis of net increase, if any, with respect to that change.

§ 7.3.8 Pending final determination of the total cost of a Construction Change Directive to the Owner, the Contractor may request payment for Work completed under the Construction Change Directive in Applications for Payment. The Engineer, or his designee will make an interim determination for purposes of monthly certification for payment for those costs and certify for payment the amount that the Engineer, or his designee determines, in the Engineer, or his designee's professional judgment, to be reasonably justified. The Engineer, or his designee's interim determination of cost shall adjust the Contract Sum on the same basis as a Change Order, subject to the right of either party to disagree and assert a Claim in accordance with Article 15.

§ 7.3.9 When the Owner and Contractor agree with a determination made by the Engineer, or his designee concerning the adjustments in the Contract Sum and Contract Time, or otherwise reach agreement upon the adjustments, such agreement shall be effective immediately and the Engineer, or his designee will prepare a Change Order. Change Orders may be issued for all or any part of a Construction Change Directive.

§ 7.3.10 In subparagraphs 7.3.3 and 7.3.6, the allowance for overhead and profit combined shall be based upon the following schedule:

- .1 For the Contractor, for work performed by his own forces, 10% of cost.
- .2 For each Subcontractor, for the work performed by his own forces, 10% of cost.
- .3 For the Contractor, for work performed by a subcontractor, 5% of cost.

§ 7.3.11 Lump sum quotations for changes in the Work will not be accepted. Proposals shall be completely itemized and broken down. They shall be accompanied by such supporting data as the Engineer, or his designee may require, such as copies of subcontractor's or vendor's quotations, quantity take-off sheets, or other similar information.

§ 7.4 MINOR CHANGES IN THE WORK

The Engineer, or his designee has authority to order minor changes in the Work not involving adjustment in the Contract Sum or extension of the Contract Time and not inconsistent with the intent of the Contract Documents. Such changes will be effected by written order signed by the Engineer, or his designee and shall be binding on the Owner and Contractor. The Contractor shall carry out such written orders promptly.

ARTICLE 8 TIME

§ 8.1 DEFINITIONS

§ 8.1.1 Unless otherwise provided, Contract Time is the period of time, including authorized adjustments, allotted in the Contract Documents for Substantial Completion of the Work and services as required by the Contract

Documents, Substantial Completion of the Work shall be accomplished within the period of consecutive calendar days (or by the date), as stated in the Agreement, plus any authorized extension(s) of time as approved by written agreement. Final Completion of the Work shall be no later than thirty (30) consecutive calendar days from the date of Substantial Completion of the Work, unless otherwise set forth in Article 3.2 of the Owner/Contractor Agreement.

§ 8.1.2 Intentionally omitted

§ 8.1.3 Intentionally omitted.

§ 8.1.4 The term "day" as used in the Contract Documents shall mean calendar day unless otherwise specifically defined.

§ 8.2 PROGRESS AND COMPLETION

§ 8.2.1 Time limits stated in the Contract Documents are of the essence of the Contract. By executing the Agreement the Contractor confirms that the Contract Time is a reasonable period for performing the Work. There will be no bonus or incentives paid, should the Work, or any portion thereof, be completed in advance of the specified activity milestone dates.

§ 8.2.2 The Contractor shall not knowingly, except by agreement or instruction of the Owner in writing, prematurely commence operations on the site or elsewhere prior to the effective date of insurance required by Article 11 to be furnished by the Contractor and Owner. The date of commencement of the Work shall not be changed by the effective date of such insurance.

§ 8.2.3 The Contractor shall proceed expeditiously with adequate forces and shall achieve Substantial Completion within the Contract Time.

§ 8.3 DELAYS AND EXTENSIONS OF TIME

§ 8.3.1 Intentionally omitted

§ 8.3.2 Claims relating to time shall be made in accordance with applicable provisions of Article 15.

§ 8.3.3 Intentionally omitted

§ 8.3.4 No payment, compensation, or adjustment of any kind shall be made to the Contractor by the Owner for damages resulting from hindrances or delays caused by the delays of other contractors, or from foreseeable circumstances not attributable to the Owner's conduct. The Contractor agrees that it will make no claim against the Owner for payment, compensation, damages, mitigation of Liquidated Damages, or adjustment of any kind for such hindrances or delays, and will accept such extensions of time as may be granted by the Owner in the Owner's sole discretion in full satisfaction for any and all alleged claims against the Owner for any and all such hindrances or delays. For purposes of this Agreement, disputes arising between contractors before or during construction, adverse weather conditions, and delays on the part of local authorities issuing permits shall be considered foreseeable circumstances. Notwithstanding the foregoing, nothing herein shall limit the Contractor's remedies for Owner's negligence, bad faith, active interference, tortious conduct, or other reasons un contemplated by the parties that delay expenditures paid by the Owner to the Engineer, or his designee, other individual or entity, or to any inspector or inspectors necessarily employed by it on the Work, for any number of days in excess of the Contract Time, shall be deducted for the Contract Sum.

§ 8.3.5 The provisions of this Article shall not be so interpreted or construed as to preclude or prevent the Contractor from making and prosecuting any claim against any separate Contractor engaged or employed by the Owner for damages alleged to have been caused or occasioned by any such separate Contractor.

§ 8.3.6 To the extent permitted by law, the Owner may suspend the whole or any part of the Work, if it shall deem it for the best interest of the Owner to do so, without compensation to the Contractor for such suspension, other than extending the time for completion of the Work as much as it may have been delayed by such suspension. During such suspension, all materials delivered upon, but not placed in the Work shall be neatly piled by the Contractor so as not to obstruct public travel, or shall be removed from the line of Work at the direction of the Owner and, unless the

materials be moved by the Contractor upon such direction, the materials shall be removed by the Owner and expense thereof will be charged to the Contractor.

§8.4.1 Should the Contractor fail to complete fully, and in conformity with all provisions of the Contract within the Contract Time, the Contractor shall, and hereby agrees to, pay the Owner one thousand dollars (\$1,000.00) per day, for each consecutive calendar day beyond the number of days allowed by the Contract, which sum is agreed upon as reasonable and proper measure of damages that the Owner will sustain per diem by failure of Contractor to complete Work within time as stipulated; it being recognized by Owner and Contractor that the injury to Owner that could result from a failure of the Contractor to complete on schedule, is uncertain and cannot be computed exactly. In no way shall costs of Liquidated Damages be construed as a penalty to the Contractor.

§8.4.2 It is expressly understood and agreed by and between the Contractor and Owner that the Contract Time prescribed herein is a reasonable time for the completion of the Work.

ARTICLE 9 PAYMENTS AND COMPLETION

§ 9.1 CONTRACT SUM

The Contract Sum is stated in the Agreement and, including authorized adjustments, is the total amount payable by the Owner to the Contractor for performance of the Work under the Contract Documents.

§ 9.2 SCHEDULE OF VALUES

Where the Contract is based on a stipulated sum or Guaranteed Maximum Price, the Contractor shall submit to the Engineer, or his designee, before the first Application for Payment, a schedule of values allocating the entire Contract Sum to the various portions of the Work and prepared in such form and supported by such data to substantiate its accuracy as the Engineer, or his designee may require. This schedule, unless objected to by the Engineer, or his designee, shall be used as a basis for reviewing the Contractor's Applications for Payment.

§ 9.3 APPLICATIONS FOR PAYMENT

§ 9.3.1 See Article 5 of Standard Form of Agreement between Owner/Contractor.

§ 9.3.1.1 Applications for Payment may include requests for payment on account of changes in the Work which have been properly authorized by Construction Change Directives but not yet included in Change Orders.

§ 9.3.1.2 Such applications may not include requests for payment of amounts the Contractor does not intend to pay to a Subcontractor or material supplier because of a dispute or other reason.

§ 9.3.1.3 All applications for payment shall be accompanied by the Application and Certificate of Payment, AIA Document G702, and the Continuation Sheet, AIA Document G703, fully completed as required or such other application for Payment as the Owner's representative shall use.

§9.3.1.4 In cases where the work is awarded on a Single Overall Contract basis, payments shall be made in accordance with applicable State of New Jersey statutes.

§ 9.3.2 Unless otherwise provided in the Contract Documents, payments shall be made on account of materials and equipment delivered and suitably stored at the site for subsequent incorporation in the Work. If approved in advance by the Owner, payment may similarly be made for materials and equipment suitably stored off the site at a location agreed upon in writing. Payment for materials and equipment stored on or off the site shall be conditioned upon compliance by the Contractor with procedures satisfactory to the Owner to establish the Owner's title to such materials and equipment or otherwise protect the Owner's interest, and shall include the costs of applicable insurance, storage and transportation to the site for such materials and equipment stored off the site.

§ 9.3.3 The Contractor warrants that title to all Work covered by an Application for Payment will pass to the Owner no later than the time of payment. The Contractor further warrants that upon submittal of an Application for Payment all Work for which Certificates for Payment have been previously issued and payments received from the Owner shall, to the best of the Contractor's knowledge, information and belief, be free and clear of liens, claims, security interests or encumbrances in favor of the Contractor, Subcontractors, material suppliers, or other persons or entities making a claim by reason of having provided labor, materials and equipment relating to the Work.

§9.3.3.1 All municipal mechanic's liens filed by a lien claimant shall be governed by N.J.S.A. 2A:44-125 et seq. In the event a municipal mechanic's lien is filed, the Owner reserves the right to withhold the full amount of the lien. The Owner may release the funds to the party against whose account the lien is claimed, only after that party files with the Owner's financial officer, a bond in an amount double of all sums claimed ("Double Bond") under the lien, and such bond's form has been approved by the Owner's chief law officer and financial officer, per N.J.S.A. 2A:44-130 or if an acceptable release of liens is filed by the lien claimant.

§ 9.4 CERTIFICATES FOR PAYMENT

§ 9.4.1 See Article 5 of Standard Form of Agreement between Owner and Contractor.

§ 9.4.2 See Article 5 of Standard Form of Agreement between Owner and Contractor

§9.4.3 See Article 5 of Standard Form of Agreement between Owner and Contractor.

§ 9.5 DECISIONS TO WITHHOLD CERTIFICATION

§ 9.5.1 See Article 5 of Standard Form of Agreement between Owner and Contractor

§ 9.5.2 See Article 5 if Standard Form of Agreement between Owner and Contractor.

§ 9.6 PROGRESS PAYMENTS

§ 9.6.1 After the Engineer, or his designee has issued a Certificate for Payment, the Owner shall make payment in the manner and within the time provided in the Contract Documents, and shall so notify the Engineer, or his designee

§ 9.6.2 The Contractor shall promptly pay each Subcontractor, upon receipt of payment from the Owner, out of the amount paid to the Contractor on account of such Subcontractor's portion of the Work, the amount to which the Subcontractor is entitled, reflecting percentages actually retained from payments to the Contractor on account of the Subcontractor's portion of the Work and shall certify same to Owner. The Contractor shall, by appropriate agreement with each Subcontractor, require each Subcontractor to make payments to Sub-subcontractors in a similar manner.

§ 9.6.3 The Engineer, or his designee will, on request, furnish to a Subcontractor, if practicable, information regarding percentages of completion or amounts applied for by the Contractor and action taken thereon by the Owner and Engineer, or his designee on account of portions of the Work done by such Subcontractor.

§ 9.6.4 Neither the Owner nor Engineer, or his designee shall have an obligation to pay or to see to the payment of money to a Subcontractor except as may otherwise be required by law.

§ 9.6.5 Payment to material and equipment suppliers shall be treated in a manner similar to that provided in Sections 9.6.2, 9.6.3 and 9.6.4.

§ 9.7 FAILURE OF PAYMENT

If the Engineer, or his designee does not issue a Certificate for Payment, through no fault of the Contractor, within seven days after receipt of the Contractor's Application for Payment, or if the Owner does not pay the Contractor within seven days after the date established in the Contract Documents the amount certified by the Engineer, or his designee or awarded by binding dispute resolution, then the Contractor may, upon seven additional days' written notice to the Owner and Engineer, or his designee, stop the Work until payment of the amount owing has been received. The Contract Time shall be extended appropriately and the Contract Sum shall be increased by the amount of the Contractor's reasonable costs of shut-down, delay and start-up, plus interest as provided for in the Contract Documents.

§9.7 REIMBURSEMENT TO OWNER

§9.7.1 If the Owner is entitled to any reimbursement or payment from the Contractor under, or pursuant to, the Contract Documents, such payment shall be made promptly upon demand by the Owner. Notwithstanding anything contained in the Contract Documents to the contrary, if the Contractor fails to promptly make any payment due the Owner, or the Owner incurs any costs and expenses to cure any default of the Contractor or to correct defective Work, the Owner shall have an absolute right to offset such amount against the Contract Sum and may, in the Owner's sole discretion, elect either to: (1) deduct an amount equal to that which the Owner is entitled from any

payment then, or thereafter, due the Contractor from the Owner; or (2) issue a written notice to the Contractor reducing the Contract Sum by an amount equal to that which the Owner is entitled.

§ 9.8 SUBSTANTIAL COMPLETION

§ 9.8.1 Substantial Completion is the stage in the progress of the Work when the Work or designated portion thereof is sufficiently complete in accordance with the Contract Documents so that the Owner can occupy or utilize the Work for its intended use; provided, however, that a condition precedent to Substantial Completion shall be the Owner's receipt of all certificates of occupancy (permanent or temporary) and any other permits, approvals, licenses, and other documents from any governmental authority having jurisdiction thereof necessary for the occupancy of the Project. The Owner may withhold a certification of Substantial Completion if temporary installations or temporary construction exists in areas requesting certification, or if certificates of occupancy are temporary or conditional.

§ 9.8.2 When the Contractor considers that the Work, or a portion thereof which the Owner agrees to accept separately, is substantially complete, the Engineer, or his designee shall prepare a comprehensive list of items to be completed or corrected ("Punch List"). The Contractor shall proceed immediately and correct items on the list. Failure to include an item on such list does not alter the responsibility of the Contractor to complete all Work in accordance with the Contract Documents. Upon receipt of the list, the Engineer, or his designee, will make an inspection to determine whether the Work or designated portion thereof is substantially complete. If the Engineer, or his designee's inspection discloses any item, whether or not included on the list, which is not in accordance with the requirements of the Contract Documents, the Contractor shall, before issuance of the Certificate of Substantial Completion, complete or correct such item upon notification by the Engineer, or his designee. The Contractor shall then submit a request for another inspection by the Engineer, or his designee to determine Substantial Completion. When the Work or designated portion thereof is substantially complete, the Engineer, or his designee will prepare a Certificate of Substantial Completion which shall establish the date of Substantial Completion, shall establish responsibilities of the Contractor for security, maintenance, heat, utilities, damage to the Work and insurance, and shall fix the time within which the Contractor shall finish all items on the List accompanying the Certificate. Warranties required by the Contract Documents shall commence on the date of Substantial Completion of the Work or designated portion thereof unless otherwise provided in the Certificate of Substantial Completion. The Certificate of Substantial Completion shall be submitted to the Contractor for its written acceptance and to the Owner for its approval and acceptance as required by Section 9.8.1. No Certificate of Substantial Completion shall be deemed effective unless executed by both Owner and Contractor.

§ 9.9 PARTIAL OCCUPANCY OR USE

§ 9.9.1 The Owner may occupy or use any completed or partially completed portion of the Work at any stage when such portion is designated by separate agreement with the Contractor, who shall obtain all necessary modifications to its insurance coverage to permit such occupancy or use. In addition, Contractor shall obtain consent of those public authorities having jurisdiction over the Work. Such partial occupancy or use may commence whether or not the portion is substantially complete pursuant to the terms of that Agreement. When the Contractor considers a portion substantially complete, the Engineer, or his designee shall prepare a Punch List as provided under Section 9.8.2. Consent of the Contractor to partial occupancy or use shall not be unreasonably withheld.

§ 9.9.2 Immediately prior to such partial occupancy or use, the Owner, Contractor and Engineer, or his designee shall jointly inspect the area to be occupied or portion of the Work to be used in order to determine and record the condition of the Work.

§ 9.9.3 Unless otherwise agreed upon, partial occupancy or use of a portion or portions of the Work shall not constitute acceptance of Work not complying with the requirements of the Contract Documents.

§ 9.9.4 The occupancy of any portion of the Work shall not constitute acceptance of any Work, except as hereinafter stated, nor does it waive the Owner's right to Liquidated Damages. Final Acceptance of the Work shall be for the whole Work only and not part.

§ 9.9.5 Occupancy by the Owner shall not be deemed to constitute a waiver of existing claims on behalf of the Owner or Contractor against each other.

§ 9.10 FINAL COMPLETION AND FINAL PAYMENT

§ 9.10.1 Upon completion of the Work, the Contractor shall forward to the Engineer, or his designee a written notice that the Work is ready for final inspection and acceptance and shall also forward to the Engineer, or his designee a final Contractor's Application for Payment. The Engineer, or his designee will promptly make such inspection. When the Engineer, or his designee finds the Work acceptable under the Contract Documents and the Contract fully performed, the Engineer, or his designee will promptly issue a final Certificate for Payment stating that to the best of their knowledge, information and belief, and on the basis of their observations and inspections, the Work has been completed in accordance with terms and conditions of the Contract Documents and that the entire balance found to be due the Contractor and noted in the final Certificate is due and payable. The Engineer, or his designee's final Certificate for Payment will constitute a further representation that conditions listed in Section 9.10.2 as precedent to the Contractor's being entitled to final payment have been fulfilled.

§ 9.10.2 Neither final payment nor any remaining retained percentage shall become due until the Contractor complies with all requirements set forth in Section 6 of the Standard Form of Agreement between Owner and Contractor and the Contractor submits to the Engineer, or his designee (1) an affidavit that payrolls, bills for materials and equipment, and other indebtedness connected with the Work for which the Owner or the Owner's property might be responsible or encumbered (less amounts withheld by Owner) have been paid or otherwise satisfied, (2) a certificate evidencing that insurance required by the Contract Documents to remain in force after final payment is currently in effect and will not be canceled or allowed to expire until at least 30 days' prior written notice has been given to the Owner, (3) a written statement that the Contractor knows of no substantial reason that the insurance will not be renewable to cover the period required by the Contract Documents, (4) consent of surety, if any, to final payment and (5), if required by the Owner, other data establishing payment or satisfaction of obligations, such as receipts, releases and waivers of liens, claims, security interests or encumbrances arising out of the Contract, to the extent and in such form as may be designated by the Owner. If a Subcontractor refuses to furnish a release or waiver required by the Owner, the Contractor may furnish a bond satisfactory to the Owner to indemnify the Owner against such lien. If such lien remains unsatisfied after payments are made, the Contractor shall refund to the Owner all money that the Owner may be compelled to pay in discharging such lien, including all costs and reasonable attorneys' fees.

§ 9.10.3 Intentionally omitted

§ 9.10.4 Acceptance of final payment by the Contractor, a Subcontractor or material supplier shall constitute a waiver of claims by that payee

ARTICLE 10 PROTECTION OF PERSONS AND PROPERTY

§ 10.1 SAFETY PRECAUTIONS AND PROGRAMS

The Contractor shall be responsible for initiating, maintaining and supervising all safety precautions and programs in connection with the performance of the Contract. The Contractor shall submit the Contractor's safety program to the Engineer, or his designee for review and coordination with the safety programs of other Contractors.

§ 10.2 SAFETY OF PERSONS AND PROPERTY

§ 10.2.1 The Contractor shall take reasonable precautions for safety of, and shall provide reasonable protection to prevent damage, injury or loss to

- .1 employees on the Work and other persons who may be affected thereby;
- .2 the Work and materials and equipment to be incorporated therein, whether in storage on or off the site, under care, custody or control of the Contractor or the Contractor's Subcontractors or Sub-subcontractors; and
- .3 other property at the site or adjacent thereto, such as trees, shrubs, lawns, walks, pavements, roadways, structures and utilities not designated for removal, relocation or replacement in the course of construction.
- .4 Construction or operations by the Owner or other Contractors.

§ 10.2.2 The Contractor shall comply with and give notices required by applicable laws, statutes, ordinances, codes, rules and regulations, and lawful orders of public authorities bearing on safety of persons or property or their protection from damage, injury or loss.

§ 10.2.3 The Contractor shall erect and maintain, as required by existing conditions and performance of the Contract, reasonable safeguards for safety and protection, including posting danger signs and other warnings against hazards, promulgating safety regulations and notifying Owners and users of adjacent sites and utilities.

§ 10.2.4 When use or storage of explosives or other hazardous materials or equipment or unusual methods are necessary for execution of the Work, the Contractor shall exercise utmost care and carry on such activities under supervision of properly qualified personnel.

§ 10.2.5 The Contractor shall promptly remedy damage and loss (other than damage or loss insured under property insurance required by the Contract Documents) to property referred to in Sections 10.2.1.2, 10.2.1.3 and 10.2.1.4 caused in whole or in part by the Contractor, a Subcontractor, a Sub-subcontractor, or anyone directly or indirectly employed by any of them, or by anyone for whose acts they may be liable and for which the Contractor is responsible under Sections 10.2.1.2, 10.2.1.3 and 10.2.1.4, except damage or loss attributable to acts or omissions of the Owner or Engineer, or his designee or anyone directly or indirectly employed by either of them, or by anyone for whose acts either of them may be liable, and not attributable to the fault or negligence of the Contractor. The foregoing obligations of the Contractor are in addition to the Contractor's obligations under Section 3.18.

§ 10.2.6 The Contractor shall designate a responsible member of the Contractor's organization at the site whose duty shall be the prevention of accidents. This person shall be the Contractor's superintendent unless otherwise designated by the Contractor in writing to the Owner and Engineer, or his designee.

§ 10.2.7 The Contractor shall not permit any part of the construction or site to be loaded so as to cause damage or create an unsafe condition.

§ 10.2.8 INJURY OR DAMAGE TO PERSON OR PROPERTY

If either party suffers injury or damage to person or property because of an act or omission of the other party, or of others for whose acts such party is legally responsible, written notice of such injury or damage, whether or not insured, shall be given to the other party within a reasonable time not exceeding 21 days after discovery. The notice shall provide sufficient detail to enable the other party to investigate the matter.

§ 10.3 HAZARDOUS MATERIALS

§ 10.3.1 The Contractor is responsible for compliance with any requirements included in the Contract Documents regarding hazardous materials. If the Contractor encounters a hazardous material or substance not addressed in the Contract Documents and if reasonable precautions will be inadequate to prevent foreseeable bodily injury or death to persons resulting from a material or substance, including but not limited to asbestos or polychlorinated biphenyl (PCB), encountered on the site by the Contractor, the Contractor shall, upon recognizing the condition, immediately stop Work in the affected area and report the condition to the Owner and Engineer, or his designee in writing.

§ 10.3.2 Upon receipt of the Contractor's written notice, the Owner shall obtain the services of a licensed laboratory to verify the presence or absence of the material or substance reported by the Contractor and, in the event such material or substance is found to be present, to cause it to be rendered harmless. Unless otherwise required by the Contract Documents, the Owner shall furnish in writing to the Contractor and Engineer, or his designee the names and qualifications of persons or entities who are to perform tests verifying the presence or absence of such material or substance or who are to perform the task of removal or safe containment of such material or substance.

§ 10.3.3 Intentionally omitted

§ 10.3.4 The Owner shall not be responsible under this Section 10.3 for materials or substances the Contractor brings to the site unless such materials or substances are required by the Contract Documents. The Owner shall be responsible for materials or substances required by the Contract Documents, except to the extent of the Contractor's fault or negligence in the use and handling of such materials or substances.

§ 10.3.5 The Contractor shall indemnify the Owner for the cost and expense the Owner incurs (1) for remediation of a material or substance the Contractor brings to the site and negligently handles, or (2) where the Contractor fails to perform its obligations under Section 10.3.1, except to the extent that the cost and expense are due to the Owner's fault or negligence.

§ 10.3.6 Intentionally omitted

§ 10.4 EMERGENCIES

In an emergency affecting safety of persons or property, the Contractor shall act, at the Contractor's discretion, to prevent threatened damage, injury or loss. Additional compensation or extension of time claimed by the Contractor on account of an emergency shall be determined as provided in Article 15 and Article 7.

ARTICLE 11 INSURANCE AND BONDS

§ 11.1 CONTRACTOR'S LIABILITY INSURANCE

§ 11.1.1 The County of Union requires all bidders to be able to comply with the following insurance requirements. In the event a bid is accepted by the County, the bidder must accept the applicable insurance requirements, as set forth below, as part of any contract, awarded to it by the County.

1. Automobile Liability Insurance in any amount of not less than \$1,000,000.00 combined single limits for Bodily Injury and Property Damage Liability. A certificate of such current insurance will be provided to the County and will reflect the provision of at least thirty (30) days notice to the County before any major cancellation or major change may be made the policy.

2. Workers Compensation Insurance insuring the obligations of the Contractor and all Subcontractors under the New Jersey Workers Compensation and Occupational Disability Laws as respects to Work performed under the Contract. Insurance will be extended to include any obligations under the United States Longshoremen's and Harbor Workers Act or any maritime act, when applicable.

3. General Liability Insurance will be provided on a Comprehensive General Liability form with a combined single limit of \$3,000,000.00 per occurrence for Bodily Injury Liability and Property Damage Liability and will include the interest of the County with respect to Work emanating from the Contract with the County. The insurance will include the following:

- a) Personal Injury Liability
- b) Blanket Contractual Liability applies to assumption of liability under any written Contract
- c) Coverage for A, X, C, U exposures, relating to excavation, blasting underground damage
- d) Broad Form Property Damage Liability
- e) Products and/or Completed Operations Liability

A Certificate of Insurance will be filed with the County prior to commencement of any Work. This certificate will contain a provision that insurance afforded under the policies will not be canceled without at least (30) days prior written notice being given to the County.

.1

§ 11.1.2 The insurance required by Section 11.1.1 shall remain in effect for the duration of the project, i.e., from beginning of construction until final payment and closeout.

§ 11.1.3 All insurance required by Section 11.1.1 shall be issued by insurance companies authorized to do business in the State of New Jersey and rated as "A" or better as determined by A.M. Best Company.

§ 11.1.4 The Contractor waives all rights against the Owner for damages caused by fire or other perils to the extent covered by insurance provided under this Article. Any deductibles, co-insurance, or contribution to the loss will be borne solely by the Contractor.

§ 11.1.5 A certificate of insurance evidencing the coverages required by Section 11.1.1 shall be submitted to the Owner's attorney for approval and transmittal to the Owner and Engineer, or his designee prior to the commencement of the Work. The certificate must be submitted on the ACORD form Certificate of Insurance. These certificates and the insurance policies required by this Section 11.1 shall contain a provision that coverages afforded under the policies will not be canceled or allowed to expire until at least thirty (30) days written notice has been given to the Owner. If requested by the Owner, the Contractor shall provide complete copies of any policies of insurance required by this Contract to be obtained by the Contractor and Subcontractor(s). Information concerning any reduction of coverage shall be furnished by the Contractor with reasonable promptness in accordance with the Contractor's information and belief.

§ 11.2 PROPERTY INSURANCE

§ 11.2.1 Unless otherwise provided, the Owner shall purchase and maintain, in a company or companies lawfully authorized to do business in the jurisdiction in which the Project is located, property insurance in the amount of the initial Contract Sum as well as subsequent modifications thereto for the entire Work at the site on a replacement cost

basis without voluntary deductibles. Such property insurance shall be maintained, unless otherwise provided in the Contract Documents or otherwise agreed in writing by all persons and entities who are beneficiaries of such insurance, until final payment has been made as provided in Section 9.10 or until no person or entity other than the Owner has an insurance interest in the property required by this Section 11.2 to be covered, whichever is earlier. This insurance shall include the interest of the Owner, Contractor, Subcontractor(s), and Sub-Contractor(s) in the Work.

§ 11.2.1.1 Property insurance shall be on an "all-risk" policy form and shall be against the perils of fire and extended coverage and physical loss or damage including, without duplication of coverage, theft, vandalism, malicious mischief, collapse, falsework, temporary buildings and debris removal including demolition occasioned by enforcement of any applicable legal requirements, and shall cover reasonable compensation for Engineer, or his designee's services and expenses required as a result of such insured loss. Coverage for all other perils shall not be required unless otherwise provided in the Contract Documents.

§ 11.2.1.2 If the Owner does not intend to purchase such property insurance required by the Contract and with all of the coverages in the amount described above, the Owner shall so inform the Contractor in writing prior to commencement of the Work. The Contractor may then effect insurance which will protect the interests of the Contractor, Subcontractor(s) and Sub-subcontractor(s) in the Work. If the Contractor is damaged by the failure or neglect of the Owner to purchase or maintain insurance as described above, without so notifying the Contractor, then the Owner shall bear all reasonable costs properly attributable thereto.

§ 11.2.1.3 If the property insurance requires minimum deductibles, and such deductibles are identified in the Contract Documents, the Contractor shall pay costs not covered because of such deductibles. If the Owner or insurer increases the required minimum deductibles over the amounts so identified or if the Owner elects to purchase this insurance with voluntary deductible amounts, the Owner shall be responsible for payment of the additional costs not covered because of such increased or voluntary deductibles.

§ 11.2.1.4 Unless otherwise provided in the Contract documents, this property insurance shall cover portions of the Work stored off the site after written approval of the Owner at the value established in the approval, and also portions of the Work in transit.

§ 11.2.1.5 A loss insured under Owner's property insurance shall be adjusted by the Owner as fiduciary and made payable to the Owner as fiduciary for the insureds, as their interests may appear, subject to requirements of any applicable mortgage clause and of Section 11.3.10. The Contractor shall pay Subcontractor(s) their just shares of insurance proceeds received the Contractor, and by appropriate agreements, written where legally required for validity, shall require Subcontractor(s) to make payments to their Sub-Contractor(s) in a similar manner.

§ 11.2.2 BOILER AND MACHINERY INSURANCE

The Owner shall purchase and maintain boiler and machinery insurance required by the Contract Documents or by law, which shall specifically cover such insured objects during installation and until final acceptance by the Owner; this insurance shall include interests of the Owner, Contractor, Subcontractors and Sub-subcontractors in the Work, and the Owner and Contractor shall be named insureds. The Owner as fiduciary shall have the power to adjust and settle a loss with insurers.

§ 11.2.3 LOSS OF USE INSURANCE

The Owner, at the Owner's option, may purchase and maintain such insurance as will insure the Owner against loss of use of the Owner's property due to fire or other hazards, however caused.

§ 11.2.4 If the Contractor requests in writing that insurance for risks other than those described herein or other special causes of loss be included in the property insurance policy, the Owner shall, if possible, include such insurance, and the cost thereof shall be charged to the Contractor by appropriate Change Order.

§ 11.3 PERFORMANCE BOND, PAYMENT BOND AND MAINTENANCE BOND

§ 11.3.1 Contractor, at its sole expense, shall furnish bonds covering faithful performance of the contract and payment of obligations arising thereunder as stipulated in bidding requirements or specifically required in the Contract Documents on the date of execution of the Contract, including material and labor..

§ 11.3.2 Upon the request of any person or entity appearing to be a potential beneficiary of bonds covering payment of obligations arising under the Contract, the Contractor shall promptly furnish a copy of the bonds or shall authorize a copy to be made

§ 11.3.3 The Contractor shall file with the Owner, as a condition of final acceptance, a statement from the Surety of its Performance Bond and Payment Bond, that the Surety is satisfied that all claims for labor and material supplied under its contract have been satisfactorily settled.

§ 11.3.4 As a condition of Substantial Completion of the Work, the Contractor shall provide an acceptable Maintenance Bond in accordance with section 16, page G-9 of the Instructions to Bidders.

ARTICLE 12 UNCOVERING AND CORRECTION OF WORK

§ 12.1 UNCOVERING OF WORK

§ 12.1.1 If a portion of the Work uncovered is contrary to the Engineer, or his designee's request or to requirements specifically expressed in the Contract Documents, it must, if requested in writing by the Engineer, or his designee, be uncovered for the Engineer, or his designee's examination and be replaced at the Contractor's expense without change in the Contract Time or Contract Sum.

§ 12.1.2 If a portion of the Work has been covered that the Engineer, or his designee has not specifically requested to examine prior to its being covered, the Engineer, or his designee may request to see such Work and it shall be uncovered by the Contractor. If such Work is in accordance with the Contract Documents, costs of uncovering and replacement shall, by appropriate Change Order, be at the Owner's expense. If such Work is not in accordance with the Contract Documents, such costs and the cost of correction shall be at the Contractor's expense unless the condition was caused by the Owner or a separate Contractor in which event the Owner shall be responsible for payment of such costs.

§ 12.2 CORRECTION OF WORK

The Contractor shall promptly correct Work rejected by the Engineer, or his designee or failing to conform to the requirements of the Contract Documents, whether discovered before or after Substantial Completion and whether or not fabricated, installed or completed. Costs of correcting such rejected Work, including additional testing and inspections, the cost of uncovering and replacement, and compensation for the Engineer, or his designee's services and expenses made necessary thereby, shall be at the Contractor's expense.

§ 12.2.2.1 In addition to the Contractor's obligations under Section 3.5, if, within one year after the date of Substantial Completion of the Work or designated portion thereof or after the date for commencement of warranties established under Section 9.9.1, or by terms of an applicable special warranty required by the Contract Documents any of the Work is found to be not in accordance with the requirements of the Contract Documents, the Contractor shall correct it promptly after receipt of written notice from the Owner to do so unless the Owner has previously given the Contractor a written acceptance of such condition. The Owner shall give such notice promptly after discovery of the condition. The Contractor shall give such notice promptly after discovery of the non-conforming work. If the Contractor fails to correct nonconforming Work within a reasonable time during that period after the receipt of notice from the Owner or Engineer, or his designee, the Owner may correct it in accordance with Section 2.4. This obligation under Section 12.2.2 shall survive acceptance of the Work under the Contract and termination of the Contract.

§ 12.2.2.2 The one-year period for correction of Work shall be extended with respect to portions of Work first performed after Substantial Completion by the period of time between Substantial Completion and the actual completion of that portion of the Work.

§ 12.2.2.3 Intentionally omitted.

§ 12.2.3 The Contractor shall remove from the site portions of the Work that are not in accordance with the requirements of the Contract Documents and are neither corrected by the Contractor nor accepted by the Owner.

§ 12.2.4 The Contractor shall bear the cost of correcting destroyed or damaged work, whether completed or partially completed, of the Owner or separate contractors caused by the Contractor's correction or removal of Work that is not in accordance with the requirements of the Contract Documents.

§ 12.2.5 Nothing contained in this Section 12.2 shall be construed to establish a period of limitation with respect to other obligations the Contractor has under the Contract Documents. Establishment of the one-year period for correction of Work as described in Section 12.2.2 relates only to the specific obligation of the Contractor to correct the Work, and has no relationship to the time within which the obligation to comply with the Contract Documents may be sought to be enforced, nor to the time within which proceedings may be commenced to establish the Contractor's liability with respect to the Contractor's obligations other than specifically to correct the Work, nor to any deficient Work discovered after the one-year period that could not have readily been discovered.

§ 12.3 ACCEPTANCE OF NONCONFORMING WORK

If the Owner prefers to accept Work, that is not in accordance with the requirements of the Contract Documents, the Owner may do so instead of requiring its removal and correction, in which case the Contract Sum will be reduced as appropriate and equitable. Such adjustment shall be effected whether or not final payment has been made. However, there shall be no implied or expressed acceptance of Work not in compliance with applicable law. The amount of said reduction will be within the exclusive determination of the Owner as its representative.

ARTICLE 13 MISCELLANEOUS PROVISIONS

§ 13.1 GOVERNING LAW

§ 13.1.1 The Contract shall be governed by the laws of the State of New Jersey.

§ 13.1.2 Nothing in the Contract Documents shall be construed to permit deviation from the governing law.

§ 13.1.3 In accordance with N.J.S.A. 40A:11-18, American manufactured products or materials shall be used in the Work, wherever possible.

13.1.4 RATE OF WAGES

Where the Project is not subject to a Project Labor Agreement, wage notes shall be paid pursuant to the New Jersey Prevailing Wage Act, N.J.S.A. 34:11-56.25 et seq, the Contractor and Subcontractor are required to do the following:

§ 13.1.4.1 Pay to all workmen engaged in the performance of services, directly upon a public work, the prevailing rate of wages, which shall be those in effect for the Project site(s) on the Contract Date and such rates shall remain in effect for (2) years, unless superseded by a subsequent determination.

§ 13.1.4.2 Before final payment, furnish Owner with an affidavit stating that all workmen have been paid the prevailing rate of wages specified in the contract.

§ 13.1.4.3 Keep an accurate record showing the name, craft, or trade and actual hourly rate of wages paid to each workman employed by it in connection with any public work. Records shall be preserved for two (2) years from date of payment.

§ 13.1.4.4 Post the prevailing wage rated for each craft and classification involved as determined by the Commissioner of Labor and Industry, including the effective date of any changes thereof in prominent and easily accessible places at the site of the Work, and at such place or places as are used by them to pay workmen their wages.

§ 13.1.4.5 Submit the Owner, certified payroll records for each payroll period within ten (10) days of the date of the payment of wages. A certified payroll record is defined as "a payroll record that is attested by the employer or the Owner of the company doing business as the employer, or a corporate officer of such company, or an authorized agent of the employer". A copy of the certified payroll form for submission of the payroll records may be obtained by contacting the Department of Labor, Division of Workplace Standards at 609.292.2259.

§ 13.1.4.6 In the event the Owner finds that any workers employed by the Contractor or Subcontractor, covered by the said contract, have been paid a rate of wages less than the prevailing wage required to be paid by such contract, the Owner may terminate the Contractor's or Subcontractor's right to proceed with the Work, or such part of the

Work as to where there has been a failure to pay required wages, and to prosecute the Work to completion or otherwise, the Contractor and its sureties shall be liable to the Owner for any excess costs occasioned thereby,

§ 13.1.4.7 a current wage rate determination is on file at the offices of the Owner for inspection and Contractor's use.

§ 13.1.5 SAFETY AND HEALTH REGULATIONS (OSHA)

§ 13.1.5.1 The Contractor shall comply with the laws, rules, regulations and codes dealing with occupational safety and health, including, but not limited to, the latest amendments of the following:

§ 13.1.5.2 Williams – Steiger Occupational Safety and Health Act of 1970, Public Law 91-595

§ 13.1.5.3 Part 1910 – Occupational Safety and Health Standards Chapter XVII of Title 29, Code of Federal Regulations.

§ 13.1.5.4 Part 126 – Safety and Health Regulations for Construction, Chapter XVII of Title 29, Code of Federal Regulations.

§ 13.1.5.3 N.J.A.C. 8:59-5.1-5.109 requirements properly label any substances stored in containers) of the Worker and Community Right to Know Act, P.L. 1983, c.315.

§ 13.1.6 ENVIRONMENTAL REGULATIONS

§ 13.1.6.1 The Contractor shall comply with laws, rules, regulations, and codes dealing with the prevention of environmental pollution and the preservation of public natural resources, including but not limited to, the latest amendments of the following:

§ 13.1.6.2 Chapter 251, public Law of 1975 of the State of New Jersey, "soil Erosion and Sediment Control Act."

§ 13.1.7 AFFIRMATION ACTION EMPLOYMENT LAW

Contractor agrees to comply with the terms of the Mandatory Equal Employment Opportunity Language, a copy of which is annexed to the Contract Documents as Exhibit F and incorporated as if set forth herein.

§ 13.1.7.1 Contractor shall submit a copy of the Monthly Project Workforce Report, New Jersey Department of Treasury Form AA-202, to the New Jersey Department of Treasury's Division of Public Contracts Equal Employment Opportunity Compliance and to the Owner

§ 13.1.7.2 Contractor shall complete and submit to the Owner an Initial Project Workforce Report, New Jersey Department of Treasury Form AA 201, upon notification of award and no later than the execution of this Agreement. Failure to submit this completed form may result in this Agreement being terminated.

§ 13.2. SUCCESSORS AND ASSIGNS

§ 13.2.1 The Owner and Contractor respectively bind themselves, their partners, successors, assigns and legal representatives to covenants, agreements and obligations contained in the Contract Documents, neither party to the Contract shall assign the Contract as a whole without written consent of the other, unless as may be provided for elsewhere in the Contract Documents. If either party attempts to make such an assignment without such consent, that party shall nevertheless remain legally responsible for all obligations under the Contract.

§ 13.3 WRITTEN NOTICE

Written notice shall be deemed to have been duly served if delivered in person to the individual, to a member of the firm or entity, or to an officer of the corporation for which it was intended; or if delivered at or sent by registered or certified mail or by courier service providing proof of delivery to, the last business address known to the party giving notice.

§ 13.4 RIGHTS AND REMEDIES

§ 13.4.1 Duties and obligations imposed by the Contract Documents and rights and remedies available thereunder shall be in addition to and not a limitation of duties, obligations, rights and remedies otherwise imposed or available by law.

§ 13.4.2 No action or failure to act by the Owner, Engineer, or his designee or Contractor shall constitute a waiver of a right or duty afforded them under the Contract, nor shall such action or failure to act constitute approval of or acquiescence in a breach there under, except as may be specifically agreed in writing.

§ 13.5 TESTS AND INSPECTIONS

§ 13.5.1 Tests, inspections and approvals of portions of the Work shall be made as required by the Contract Documents and by applicable laws, statutes, ordinances, codes, rules and regulations or lawful orders of public authorities. Unless otherwise provided, the Contractor shall make arrangements for such tests, inspections and approvals with an independent testing laboratory or entity acceptable to the Owner, or with the appropriate public authority, and shall bear all related costs of tests, inspections and approvals. The Contractor shall give the Engineer, or his designee timely notice of when and where tests and inspections are to be made so that the Engineer, or his designee may be present for such procedures. The Owner shall bear costs of (1) tests, inspections or approvals that do not become requirements until after bids are received or negotiations concluded, and (2) tests, inspections or approvals where building codes or applicable laws or regulations prohibit the Owner from delegating their cost to the Contractor.

§ 13.5.2 If the Engineer, or his designee, Owner or public authorities having jurisdiction determine that portions of the Work require additional testing, inspection or approval not included under Section 13.5.1, the Engineer, or his designee will, upon written authorization from the Owner, instruct the Contractor to make arrangements for such additional testing, inspection or approval by an entity acceptable to the Owner, and the Contractor shall give timely notice to the Engineer, or his designee of when and where tests and inspections are to be made so that the Engineer, or his designee may be present for such procedures. Such costs, except as provided in Section 13.5.3, shall be at the Owner's expense.

§ 13.5.3 If such procedures for testing, inspection or approval under Sections 13.5.1 and 13.5.2 reveal failure of the portions of the Work to comply with requirements established by the Contract Documents, all costs made necessary by such failure including those of repeated procedures and compensation for the Engineer, or his designee's services and expenses shall be at the Contractor's expense.

§ 13.5.4 Required certificates of testing, inspection or approval shall, unless otherwise required by the Contract Documents, be secured by the Contractor and promptly delivered to the Engineer, or his designee.

§ 13.5.5 If the Engineer, or his designee is to observe tests, inspections or approvals required by the Contract Documents, the Engineer, or his designee will do so promptly and, where practicable, at the normal place of testing.

§ 13.5.6 Tests or inspections conducted pursuant to the Contract Documents shall be made promptly to avoid unreasonable delay in the Work.

§ 13.6 INTEREST

Except as required by Section 5.1.3 of the Owner Contractor Agreement and notwithstanding anything to the contrary contained in the Contract Documents and related documents, the Owner will pay no interest whatsoever for any payments due.

§ 13.7 TIME LIMITS ON CLAIMS

Intentionally deleted.

ARTICLE 14 TERMINATION OR SUSPENSION OF THE CONTRACT

§ 14.1 TERMINATION BY THE CONTRACTOR

§ 14.1.1 The Contractor may terminate the Contract if the Work is stopped for a period of 30 consecutive days through no act or fault of the Contractor or a Subcontractor, Sub-subcontractor or their agents or employees or any other persons or entities performing portions of the Work under direct or indirect contract with the Contractor, for any of the following reasons:

- .1 Issuance of an order of a court or other public authority having jurisdiction that requires all Work to be stopped;
- .2 An act of government, such as a declaration of national emergency that requires all Work to be stopped;

§ 14.1.2 Intentionally deleted

§ 14.1.3 If one of the reasons described in Section 14.1.1 exists, the Contractor may, upon thirty (30) days' written notice to the Owner and Engineer, or his designee, terminate the Contract

§ 14.1.4 Intentionally deleted.

§ 14.2 TERMINATION BY THE OWNER FOR CAUSE

§ 14.2.1 The Owner may terminate the Contract if the Contractor after Notice and an opportunity to cure.

- .1 refuses or fails to supply enough properly skilled workers or proper materials;
- .2 fails to make payment to Subcontractors for materials or labor in accordance with the respective agreements between the Contractor and the Subcontractors;
- .3 disregards laws, ordinances, rules or regulations, or orders of a public authority having jurisdiction;
- .4 fails to furnish the Owner with assurances satisfactory to the Owner, evidencing the Contractor's ability to complete the Work in compliance with all requirements of the Contract Documents;
- .5 fails after commencement of the Work, to proceed continuously with the construction and completion of the Work, for more than three (3) days, except as permitted by the Contract Documents;
- .6 disregards orders of the Owner or Engineer, or his designee;
- .7 fails to maintain the Site in a clean, safe and orderly manner;
- .8 fails to comply with a Construction Change Directive; or
- .9 otherwise is guilty of any breach of a provision of the Contract Documents.

§ 14.2.2 When any of the above reasons exist, the Owner, upon certification by the Initial Decision Maker that sufficient cause exists to justify such action, may without prejudice to any other rights or remedies of the Owner and after giving the Contractor and the Contractor's surety, if any, seven days' written notice, terminate employment of the Contractor and may, subject to any prior rights of the surety:

- .1 Exclude the Contractor from the site and take possession of all materials, equipment, tools, and construction equipment and machinery thereon owned by the Contractor;
- .2 Accept assignment of subcontracts pursuant to Section 5.4; and
- .3 Finish the Work by whatever reasonable method the Owner may deem expedient. And charge the costs incurred against the Contractor's Contract balance

§ 14.2.3 When the Owner terminates the Contract for one of the reasons stated in Section 14.2.1, the Contractor shall not be entitled to receive further payment until the Work is finished. The Engineer, or his designee's certification issued pursuant to Section 14.2.2 shall be given a presumption of correctness.

§ 14.2.4 If the unpaid balance of the Contract Sum exceeds costs of finishing the Work, including compensation for the Engineer, or his designee's services and expenses made necessary thereby, and other damages incurred by the Owner and not expressly waived, such excess shall be paid to the Contractor. If such costs and damages exceed the unpaid balance, the Contractor shall pay the difference to the Owner. The amount to be paid to the Contractor or Owner, as the case may be, shall be certified by the Engineer, or his designee, upon application, and this obligation for payment shall survive termination of the Contract.

§ 14.3 SUSPENSION BY THE OWNER FOR CONVENIENCE

§ 14.3.1 The Owner may, without cause, order the Contractor in writing to suspend, delay or interrupt the Work in whole or in part for such period of time as the Owner may determine.

§ 14.3.2 Intentionally deleted.

§ 14.4 TERMINATION BY THE OWNER FOR CONVENIENCE

§ 14.4.1 The Owner may, at any time, terminate the Contract for the Owner's convenience and without cause.

§ 14.4.2 Upon receipt of written notice from the Owner of such termination for the Owner's convenience, the Contractor shall

- .1 cease operations as directed by the Owner in the notice;

- 2 take actions necessary, or that the Owner may direct, for the protection and preservation of the Work; and
- 3 except for Work directed to be performed prior to the effective date of termination stated in the notice, terminate all existing subcontracts and purchase orders and enter into no further subcontracts and purchase orders.

§ 14.4.3 In case of such termination for the Owner's convenience, the Contractor shall be entitled to receive payment for Work executed, and costs incurred by reason of such termination, along with reasonable overhead and profit on the Work not executed.

ARTICLE 15 CLAIMS AND DISPUTES

§ 15.1 CLAIMS

§ 15.1.1 DEFINITION

A Claim is a demand or assertion by one of the parties seeking adjustment or interpretation of Contract terms, payment of money, extension of time, or other relief with respect to the terms of the Contract. Any Contractor Claim seeking the payment of money shall not include consequential damages, which Contractor hereby waives, and shall be calculated in accordance with Section 7.3.6 and Section 7.3.10 hereof.

§ 15.1.2 DECISION OF ENGINEER, OR HIS DESIGNEE

Owner and Contractor agree that the Engineer, or his designee shall be the initial arbiter of all Claims, including those alleging error or omission by the Engineer, or his designee. All claims, shall be referred, initially to the Engineer, or his designee for action as provided in Article 4 and shall be required as a condition precedent to litigation of a Claim between the Contractor and Owner to all such matters arising prior to the date final payment is due, regardless of: (1) whether such matters relate to execution and progress of the Work; or (2) the extent to which the work has been completed. The decision by the Engineer, or his designee in response to a Claim shall not be a condition precedent to litigation in the event: (1) the position of the Engineer, or his designee is vacant; (2) the Engineer, or his designee has not received evidence or has failed to render a decision within agreed time limits; (3) the Engineer, or his designee has failed to take action required under Article 4 within thirty (30) days after the Claim is made; (4) forty-five (45) days have passed after the Claim has been referred to the Engineer, or his designee; or, (5) the claim relates to a mechanic's lien.

§ 15.1.3 TIME LIMITS ON CLAIMS

Claims must be within twenty one (21) calendar days after the occurrence of the event giving rise to the Claim or within twenty-one (21) calendar days after the claimant first becomes aware of the condition giving rise to the Claim, whichever is later. There shall be no time limitation upon any Claims made by the Owner. Claims must be made by written notice to the Engineer, or his designee. An additional Claim made after the initial Claim has been implemented by Change Order will not be considered unless submitted pursuant to the requirements of this Paragraph. Notice shall be deemed effective upon the Engineer, or his designee's receipt of the Notice.

§ 15.1.4 CONTINUING CONTRACT PERFORMANCE

Pending final resolution of a Claim, unless otherwise agreed in writing, the Contractor shall proceed diligently with performance of the Contract and the Owner shall continue to make payments to the extent required by the Contract Documents.

§ 15.1.5 CLAIMS FOR CONCEALED OR UNKNOWN CONDITIONS

If conditions are encountered at the Site which are: (1) subsurface or otherwise concealed physical conditions which differ materially from those indicated in the Contract Documents; or (2) unknown physical conditions of an unusual nature, which differ materially from those ordinarily found to exist and generally recognized as inherent in construction activities of the character provided for the Contract Documents, the Owner and Contractor mutually agree to give written notice to each other; including the Engineer, or his designee and any affected Contractor or subcontractor, upon the observation of the condition within twenty-four (24) hours of first observation of the condition. The Engineer, or his designee will investigate such conditions within seventy-two (72) hours and will diligently process and render a recommendation within twenty-one (21) days unless otherwise agreed in writing. If the Engineer, or his designee determines that the condition at the site are not materially different from those indicated in the Contract Documents and that no change in the terms of the Contract is justified the Engineer, or his designee shall so notify the Owner and Contractor in writing, stating the reasons. Claims by either party in

opposition to such determination must be made within seven (7) days after the Engineer, or his designee has given notice of the decision.

§ 15.1.6 CLAIMS FOR ADDITIONAL COST

If the Contractor wishes to make a Claim for an increase in the Contract Sum written notice as provided herein shall be given before proceeding to execute the Work. All documentation in support of the Contractor's request shall, likewise be provided at the time said written request is made. Prior notice is not required for Claims relating to an emergency endangering life or property arising under Section 10.3 or elsewhere in the Contract Documents.

§ 15.2 CLAIMS FOR ADDITIONAL TIME

§ 15.2.1 If the Contractor wishes to make a Claim for an increase in the Contract Time, written notice as provided herein shall be given. The Contractor's Claim shall include an estimate of cost and of probable effect of delay on progress of the Work, , all documentation in support of the Contractor's request shall, likewise be provided at the time said written request is made. In the case of a continuing delay, only one Claim is necessary.

§ 15.2.2 If adverse weather conditions are the basis for a Claim for additional time, such Claim shall be documented by data substantiating that weather conditions were abnormal for the period of time, could not have been reasonably anticipated and had an adverse effect on the scheduled construction. The term "abnormal" as used here shall be construed according to the following formula: average rainfall (or snow, low temperature, etc) for the past five (5) years for the month in question, plus ten percent (10%). Accordingly, weather is not deemed to be abnormal unless it is ten percent (10%) worse than the average for the month over the past five (5) years. Claims relating to weather must be submitted within seven (7) calendar days of the occurrence of any such delays.

§ 15.3 CLAIMS FOR INJURY OR DAMAGE TO PERSON OR PROPERTY. If either Party to the Contract suffers injury or damage to person or property because of an act or omission of the other party, of any of the other party's employees or agents, or of others for whose acts such party is legally liable, written notice of such injury or damage, whether or not insured, shall be given to the other party, including the Engineer, or his designee , within a reasonable time not exceeding twenty-one (21) days after first occurrence, unless another time period is required by law. The notice shall provide sufficient detail to enable the other party to investigate the matter. If a Claim for additional cost or time related to this Claim is to be asserted, it shall be filed as provided for in Article 15.

§ 15.3.2 The Owner is not required to institute a claim under this section in order to terminate this Agreement.

§ 15.4 RESOLUTION OF CLAIMS AND DISPUTES

The Engineer, or his designee will review Claims and take one or more of the following preliminary actions with ten (10) days of receipt of a Claim: (1) request additional supporting data from the claimant; (2) reject the Claim in who or in part, stating reasons for rejection ; (3) recommend approval of the Claim by other party; or (4) suggest a compromise.

§ 15.4.2 If a Claim has been resolved, the Engineer, or his designee will prepare or obtain appropriate documentation in consultation with Owner's counsel as circumstances dictate.

§ 15.4.3 If a Claim has not been resolved after consideration of the foregoing and of further evidence presented by the parties or requested by the Engineer, or his designee , the Engineer, or his designee will notify the parties in writing that the Engineer, or his designee 's decision will be made within seven (7) days, which decision shall be final. Upon expiration of such time period, the Engineer, or his designee will render to the parties the Engineer, or his designee 's written decision relative to the Claim, including any change in the Contract Sum or Contract Time or both.

§ 15.5. CLAIMS FORUM

Unless otherwise required by Section 5.1.3 of the Standard Form of Agreement between the Owner and Contractor, claims, disputes, or other matters in question between the parties to this Contract arising out of or relating to the Project or to this Contract, or the alleges breach thereof, shall be subject in the first instance to mediation and failing that, there in, a Court of competent jurisdiction venued in Union County, New Jersey. The Owner may not be compelled to submit any dispute concerning the Project to arbitration. By accepting award of the Contract and executing the Agreement, the Contractor consents to its joinder as a party in any litigation, mediation, arbitration or any other legal proceeding involving the Project and any references in the Contract documents.

§ 16.1 INTERPRETATIONS IN WRITING

§ 16.1.1 Neither the price bid for the work of any Contract, nor the Contract Sum, shall be based in any manner upon oral opinions, or real or alleged instructions of an oral nature, regardless if whether such opinions or instructions are expressed by the Owner, the Engineer, or his designee or its Consultants, the Contractor, or agents or representative of any of them and no such oral communication shall form the basis of a Claim.

§ 16.1.2 These provisions do not intend to deny, on an oral basis, normal discussion, recommendations, explanations, suggestions, approvals, rejections, and similar activity in pursuit of the work of the Project, such as at job conferences and otherwise at the Site. In such instances, the written minutes, correspondence, shop drawing records, written field orders, and other written data shall govern over personal claims regarding statements made contrary to the written data.

§ 17.1 JOB SITE MEETINGS

§ 17.1.1 Job site meetings, when called by the Engineer, or his designee, shall be held at a location and time convenient to the Owner's representatives, the Engineer, or his designee, and Contractor(s). Each Contractor shall attend such meeting, or be represented by a person in authority who is thoroughly familiar with the Project and who can speak and make decisions for the Contractor. In the instance of a Single Overall Contract, each of the major Subcontractors-Structural Steel, and ornamental iron work, plumbing, gas fitting and all kindered work and steam power plants, steam, and hot water heating and ventilating apparatus and Electrical-shall have a person in authority who is thoroughly familiar with the Project attend the meetings.

§ 18.1 MANDATORY LAW AGAINST DISCRIMINATION LANGUAGE
PROCUREMENT, PROFESSIONAL AND SERVICE CONTRACTS
(N.J.A.C. 13:6-1.3)

§ 18.1.1 The parties of this contract do hereby agree that the provision of N.J.S.A. 10:2-1 through N.J.S.A. 10:2-4 dealing with discrimination in employment on public contracts, and the rules and regulations promulgated pursuant thereto, are hereby made a part of this contract and are binding upon them.

§ 18.1.1 Pursuant to the provision of N.J.S.A. 10:2-1 through N.J.S.A. 10:2-4, during the performance of this contract, the Contractor agrees as follows:

§ 18.2.1.1 In the hiring of persons for the performance of work under this contract or any subcontract hereunder, or for the procurement, manufacture, assembling or furnishing of any such materials, equipment, supplies or services to be acquired under this contract, no Contractor, including without limitation, the Contractor, nor any person acting on behalf of such Contractor or subcontractor, shall by reason of race, creed, color national origin, ancestry, Marital status, gender identity or expression, affectional or sexual orientation, or sex, discriminate against any person who is qualified and available to perform the Work, to which the employment relates;

§ 18.2.1.2 No Contractor, including, without limitation, the Contractor, Subcontractor, nor any person acting on its behalf shall, in any manner, discriminate against or intimidate any employee engaged in the performance of work under this Contract or any subcontract hereunder, or engaged in the procurement, manufacture, assembling or furnishing of any such materials, equipment, supplies or services to be acquired under such Contract, on account of race, creed, color, national origin, ancestry, marital status, gender identity or expression, affectional or sexual orientation, or sex;

§ 18.2.1.3 There may be deducted from the amount payable to the Contractor by the Owner, under the Contract, a penalty of \$50.00 (fifty dollars) for each person for each calendar day during which such person is discriminated against or intimidated in violation of the provisions of the Contract; and

§ 18.2.1.4 This contract may be canceled or terminated by the Owner, and all the money due or to become due hereunder may be forfeited, for any violation of this section of the Contract occurring after notice to the Contractor from the contracting public agency or any prior violation of this section of the Contract.

§ 19.1 CONTRACTOR AND SUBCONTRACTOR COLLECTION OF USE TAX TO LOCAL GOVERNMENTS

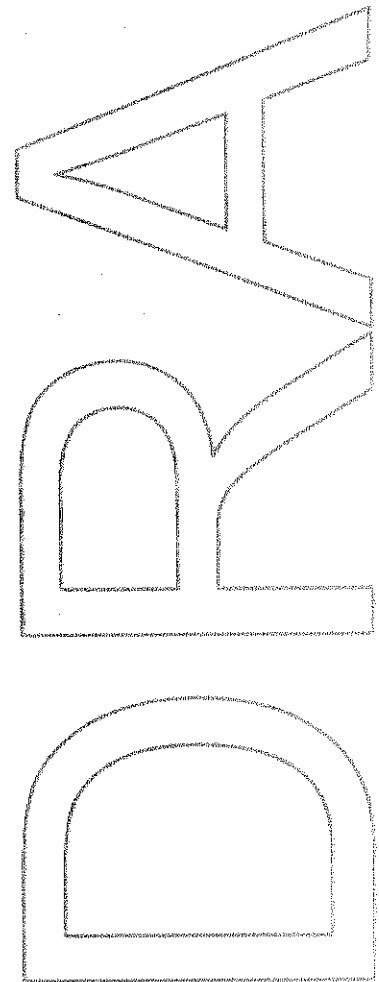
§ 19.1.1 The Contractor acknowledges and agrees that pursuant to P.L. 2004, c. 57, enacted by the State of New Jersey on June 29, 2004, contractors or contractors with subcontractors, or their affiliates, who enter into contracts

with New Jersey local government entities, including without limitation, boards of education, are, effective as of September 1, 2004, required to collect and remit to the New Jersey Director of Taxation in the Department of the Treasury the use tax pursuant to the "sales and Use Tax Act," P.L. 1966, c. 30 (C.54:32B-1 et. seq.) on all their sales of tangible personal property delivered into the State of New Jersey (hereinafter referred to as the "Contractor Use Tax Collection Legislation").

§ 19.2.1 The Contractor hereby covenants and agrees that the Contractor, any subcontractor and each of their affiliates, shall collect and remit to the New Jersey Director of the Division of Taxation in the Department of Treasury, the use tax due pursuant to the "Sales and Use Tax Act," P.L. 1966, c. 30 (C.54:32B-1 et. seq.) on all their sales of tangible personal property delivered into the State of New Jersey. For purposes herein, "affiliate" shall mean any entity that : (a) directly, indirectly or constructively controls another entity; (b) is directly, indirectly, or constructively controlled by another entity; or (c) is subject to the control of a common entity. For purposes of the immediately preceding sentence, an entity controls another entity if it owns, directly or indirectly, more than fifty percent (50%) of the Ownership interest in that entity.

§ 19.3.1 The parties intend that this Article 19 shall comply with the rules and regulations promulgated pursuant to the Contractor Use Tax Collection Legislation and shall be interpreted consistent therewith.

§ 19.4 Notwithstanding anything contained in the Agreement to the contrary, the Contractor hereby agrees to indemnify and hold the Owner harmless from and against any and all fines, taxes, penalties, interest, claims, losses. Costs, expenses, liabilities, or damages arising out of or in connection with the Contractor's failure to comply with the terms and condition of Sections 19.1 and 19.2 to the fullest extent permitted by law and public policy.





STATE OF NEW JERSEY
Department of Labor and Workforce Development
Division of Wage and Hour Compliance - Public Contracts Section
PO Box 389
Trenton, NJ 08625-0389

PREVAILING WAGE RATE DETERMINATION

The New Jersey Prevailing Wage Act (N.J.S.A. 34:11-56.25 et seq.) requires that the Department of Labor and Workforce Development establish and enforce a prevailing wage level for workers engaged in public works in order to safeguard their efficiency and general well being and to protect them as well as their employers from the effects of serious and unfair competition.

Prevailing wage rates are wage and fringe benefit rates based on the collective bargaining agreements established for a particular craft or trade in the locality in which the public work is performed. In New Jersey, these rates vary by county and by the type of work performed.

Applicable prevailing wage rates are those wages and fringe benefits in effect on the date the contract is awarded. All pre-determined rate increases listed at the time the contract is awarded must also be paid, beginning on the dates specified. Rates that have expired will remain in effect until new rates are posted.

Prevailing Wage Rate

The prevailing wage rate for each craft will list the effective date of the rate and the following information:

W = Wage Rate per Hour **B** = Fringe Benefit Rate per Hour* **T** = Total Rate per Hour

* Fringe benefits are an integral part of the prevailing wage rate. Employers not providing such benefits must pay the fringe benefit amount directly to the employee each payday. Employers providing benefits worth less than the fringe benefit amount must pay the balance directly to the employee each payday.

Unless otherwise stated in the Prevailing Wage Rate Determination, the fringe benefit rate for overtime hours remains at the straight time rate.

When the Overtime Notes in the Prevailing Wage Rate Determination state that the overtime rates are "inclusive of benefits," the benefit rate is increased by the same factor as the wage rate (i.e. multiplied by 1.5 for time and one-half, multiplied by 2 for double time, etc.).

Apprentice Rate Schedule

An "apprentice" is an individual who is registered with the United States Department of Labor - Office of Apprenticeship and enrolled in a certified apprenticeship program during the period in which they are working on the public works project.

The apprentice wage rate is a percentage of the journeyman wage rate, unless otherwise indicated. The apprentice benefit rate is the full journeyman benefit rate, unless otherwise indicated.

If there is no apprentice rate schedule listed, the individual must be paid at least the journeyman rate even if that individual is in a certified apprentice program for that trade.

If there is no ratio of apprentices to journeymen listed for a particular craft, then the ratio shall be one (1) apprentice to every four (4) journeymen.

Comments/Notes

For each craft listed there will be comments/notes that cover the definition of the regular workday, shift differentials, overtime, recognized holidays, and any other relevant information.

Public Works Contractor Registration

The Public Works Contractor Registration Act (N.J.S.A. 34:11-56.48, et seq.) requires that **all** contractors, subcontractors, or lower tier subcontractors who are working on or who bid on public works projects register with the Department of Labor and Workforce Development. Applications are available at www.nj.gov/labor (click on Wage & Hour and then go to Registration & Permits).

Pursuant to N.J.S.A. 34:11-56.51:

No contractor shall bid on any contract for public work as defined in section 2 of P.L.1963, c. 150 (C.34:11-56.26) unless the contractor is registered pursuant to this act. No contractor shall list a subcontractor in a bid proposal for the contract unless the subcontractor is registered pursuant to P.L.1999, c.238 (C.34:11-56.48 et seq.) at the time the bid is made. No contractor or subcontractor, including a subcontractor not listed in the bid proposal, shall engage in the performance of any public work subject to the contract, unless the contractor or subcontractor is registered pursuant to that act.

Snow Plowing

Snow plowing contracts are not subject to the New Jersey Prevailing Wage Act or the Public Works Contractor Registration Act.

**NEW JERSEY DEPARTMENT OF LABOR AND WORKFORCE DEVELOPMENT
PREVAILING WAGE RATE DETERMINATION**

County - UNION

Craft: Air Conditioning & Refrigeration - Service and Repair

PREVAILING WAGE RATE

	03/19/15
Journeyman (Mechanic)	W36.18 B21.10 T57.28

Expiration Date: 02/29/2016

Craft: Air Conditioning & Refrigeration - Service and Repair

APPRENTICE RATE SCHEDULE

INTERVAL	PERIOD AND RATES									
	As Shown	Mo. 1-3	Mo. 4-12	2nd Year	3rd Year	4th Year	5th Year		Wage = %	of Jnymn
Wage and Bene	50%	55%	60%	65%	75%	85%		Bene = %	of Jnymn	Bene

Ratio of Apprentices to Journeymen - 1:4

APPRENTICE RATE SCHEDULE FOR THOSE APPRENTICES ENTERING PROGRAM AFTER 3-1-13:

INTERVAL	PERIOD AND RATES								
As Shown	1st Year	2nd Year	3rd Year	4th Year	5th Year		Wage = % of Jnymn	Wage	
Wage and Benefit	40%	50%	60%	70%	80%		Bene. = % of Jnymn	Wage	

Craft: Air Conditioning & Refrigeration - Service and Repair

COMMENTS/NOTES

THESE RATES MAY BE USED FOR THE FOLLOWING:

- Service/Repair/Maintenance Work to EXISTING facilities.
- Replacement or Installation of air conditioning and refrigeration equipment when the combined tonnage does not exceed 15 tons for refrigeration, or 25 tons for air conditioning.
- Replacement or Installation of "packaged" or "unitary" rooftop-type units when the combined tonnage of the units does not exceed 75 tons.

NOTE: These rates may NOT be used for any work in new construction (including work on new additions).

The regular workday shall consist of 8 hours, starting between 6:00 AM and 10:00 AM, Monday through Friday.

SHIFT DIFFERENTIALS:

- The second and third shifts shall be paid an additional 15% of the hourly rate.
- All shifts must run for a minimum of 5 consecutive days.

OVERTIME:

Hours worked in excess of 8 per day or before or after the regular workday, that are not shift work, and all hours on Saturday shall be paid at time and one-half the hourly rate, inclusive of benefits. All hours on Sunday and holidays shall be paid at double the hourly rate, inclusive of benefits.

RECOGNIZED HOLIDAYS: New Year's Day, Presidents' Day, Memorial Day, July 4th, Labor Day, Veterans' Day, Thanksgiving Day, Christmas Day.

**NEW JERSEY DEPARTMENT OF LABOR AND WORKFORCE DEVELOPMENT
PREVAILING WAGE RATE DETERMINATION**

County - UNION

Craft: Boilermaker PREVAILING WAGE RATE

	01/09/15
Foreman	W45.00 B40.02 T85.02
General Foreman	W47.00 B41.00 T88.00
Journeyman	W41.00 B38.42 T79.42

Expiration Date: 12/31/2015

Craft: Boilermaker APPRENTICE RATE SCHEDULE

INTERVAL	PERIOD AND RATES									
	65%	70%	75%	80%	85%	90%	95%			
1000 Hours										
Benefit =	32.33	33.20	34.08	34.94	35.82	36.69	37.55			

Ratio of Apprentices to Journeymen - *

* 1 apprentice will be allowed for the first 5 journeymen, 1 apprentice for the next 10 journeymen and 1 apprentice for each succeeding 20 journeymen up to a maximum of 5 apprentices per contractor on any one job.

Craft: Boilermaker COMMENTS/NOTES

HIGH WORK: All apprentices working on the erection, repair, or dismantling of smoke stacks, standpipes, or water towers shall be paid the Journeyman rate.

The regular workday shall consist of 8 hours, between 8:00 AM and 4:30 PM.

SHIFT DIFFERENTIALS:

- The second shift shall work 7½ hours and receive 8 hours pay, at a rate equal to the regular hourly rate plus 10%.
- The third shift shall work 7 hours and receive 8 hours pay, at a rate equal to the regular hourly rate plus 20%.
- For "Municipal Water Works" projects only, the following shall apply: Two, four day, 10 hour shifts may be worked at straight time Monday through Thursday. The day shift shall work four days, at 10 hours, for 10 hours pay. The second shift shall work four days, at nine and a half hours, for 10 hours pay, plus 10% the hourly rate for new work and .25 cents on repair work. Friday may be used as a make-up day at straight time, due to weather conditions, holiday or any other circumstances beyond the employer's control.

OVERTIME:

- Hours in excess of 8 per day, Monday through Friday, and all hours on Saturdays shall be paid at time and one-half the hourly rate. All hours on Sundays and holidays (except Labor Day) shall be paid at double the hourly rate. All hours on Labor Day shall be paid at four times the hourly rate.
- If any other craft employed by the same contractor, or a subcontractor thereof, receives double time in lieu of time and one-half, then the Boilermaker shall receive double time in lieu of time and one-half.
- For "Municipal Water Works" projects only, the following shall apply: Four 10 hour days may be worked Monday through

**NEW JERSEY DEPARTMENT OF LABOR AND WORKFORCE DEVELOPMENT
PREVAILING WAGE RATE DETERMINATION**

County - UNION

Thursday at straight time. Friday may be used as a make-up day for a day lost to inclement weather, holiday or other conditions beyond the control of the employer. Overtime shall be paid for any hours that exceed 10 hours per day or 40 hours per week.

RECOGNIZED HOLIDAYS: New Year's Day, Washington's Birthday, Memorial Day, July 4th, Labor Day, Presidential Election Day, Veterans' Day, Thanksgiving Day, Christmas Day. Sunday holidays observed the following Monday.

**NEW JERSEY DEPARTMENT OF LABOR AND WORKFORCE DEVELOPMENT
PREVAILING WAGE RATE DETERMINATION**

County - UNION

Craft: Boilermaker - Minor Repairs

PREVAILING WAGE RATE

	01/09/15
Foreman	W30.29 B16.17 T46.46
General Foreman	W30.79 B16.17 T46.96
Mechanic	W28.79 B16.17 T44.96

Expiration Date: 12/31/2015

Craft: Boilermaker - Minor Repairs

COMMENTS/NOTES

NOTE: These rates apply to MINOR REPAIR WORK ONLY (repair work in the field for which the contract amount does not exceed \$20,000.00).

OVERTIME:

Hours in excess of 8 per day, Monday through Friday, and all hours on Saturdays shall be paid at time and one-half the hourly rate. All hours on Sundays and holidays (except Labor Day) shall be paid at double the hourly rate. All hours on Labor Day shall be paid at four times the hourly rate.

RECOGNIZED HOLIDAYS: New Year's Day, Washington's Birthday, Good Friday, Memorial Day, July 4th, Labor Day, Presidential Election Day, Thanksgiving Day, day after Thanksgiving, Christmas Day. Saturday holidays observed the preceding Friday, Sunday holidays observed the following Monday.

**NEW JERSEY DEPARTMENT OF LABOR AND WORKFORCE DEVELOPMENT
PREVAILING WAGE RATE DETERMINATION**

County - UNION

Craft: Bricklayer, Stone Mason

PREVAILING WAGE RATE

	11/01/14	05/01/15	11/01/15
Deputy Foreman	W41.25 B29.01 T70.26	W0.00 B0.00 T71.01	W0.00 B0.00 T71.76
Foreman	W44.25 B29.01 T73.26	W0.00 B0.00 T74.01	W0.00 B0.00 T74.76
Journeyman	W38.25 B29.01 T67.26	W0.00 B0.00 T68.01	W0.00 B0.00 T68.76

Expiration Date: 04/30/2016

Craft: Bricklayer, Stone Mason

APPRENTICE RATE SCHEDULE

INTERVAL	PERIOD AND RATES									
	40%	50%	55%	60%	65%	70%	75%	80%		
6 Months										
Benefits	3.72	4.65	5.12	5.58	19.21	20.47	21.74	23.01		

Ratio of Apprentices to Journeymen - 1:5

Craft: Bricklayer, Stone Mason

COMMENTS/NOTES

The regular workday shall consist of 8 hours, between 6:00 AM and 4:30 PM.

SHIFT DIFFERENTIALS:

- When a 2 shift schedule (including a day shift) is established, the first, or day shift, shall be established on an 8 hour basis. The second shift shall be established on an 8 hour basis, and receive the regular rate plus 15%, inclusive of benefits.
- When a three shift schedule is established, the first shift shall be established on an 8 hour basis, the second shift on a 7.5 hour basis, and the third shift on a 7 hour basis. The first shift shall receive the regular hourly rate, the second shift shall receive the regular rate plus 15%, inclusive of benefits, and the third shift shall receive the regular rate plus 20%, inclusive of benefits.
- When there is no day shift, and a second or third shift is established, it shall be established on an 8 hour basis. The second shift shall receive the regular rate plus 15%, inclusive of benefits, and the third shift shall receive the regular rate plus 20%, inclusive of benefits.

OVERTIME:

- The first 2 hours in excess of 8 per day, or before or after the regular workday that are not shift work, Monday through Friday, shall be paid at time and one-half the regular rate, inclusive of benefits. Any additional overtime shall be paid at double the regular rate, inclusive of benefits. The first 10 hours on Saturday shall be paid at time and one-half the regular rate, inclusive of benefits. Any additional overtime shall be paid at double the regular rate, inclusive of benefits. All hours on Sundays and holidays shall be paid at double the regular rate, inclusive of benefits.
- Saturday may be used as a make-up day for hours lost to inclement weather.
- When Bricklayers/Stone Masons work on Saturday with Laborers, and no other crafts are working on the project for the day, benefits may be paid at straight time. If other crafts are present, the applicable overtime rate for benefits shall be paid.

**NEW JERSEY DEPARTMENT OF LABOR AND WORKFORCE DEVELOPMENT
PREVAILING WAGE RATE DETERMINATION**

County - UNION

RECOGNIZED HOLIDAYS: New Year's Day, Presidents' Day, Memorial Day, July 4th, Labor Day, Presidential Election Day, Veterans' Day, Thanksgiving Day, Christmas Day. Sunday holidays will be observed the following Monday.

**NEW JERSEY DEPARTMENT OF LABOR AND WORKFORCE DEVELOPMENT
PREVAILING WAGE RATE DETERMINATION**

County - UNION

Craft: Carpenter

PREVAILING WAGE RATE

	11/01/14	05/01/15	11/01/15
Foreman	W50.30	W0.00	W0.00
	B28.16	B0.00	B0.00
	T78.46	T79.17	T80.42
Journeyman	W43.74	W0.00	W0.00
	B24.49	B0.00	B0.00
	T68.23	T69.48	T70.73

Expiration Date: 04/30/2016

Craft: Carpenter

APPRENTICE RATE SCHEDULE

INTERVAL	PERIOD AND RATES									
	40%	45%	50%	55%	60%	65%	70%	75%	85%	95%
6 Months										
Benefit	56% of	Appren	tice	Wage	Rate		for all	intervals		

Ratio of Apprentices to Journeymen - 1:4

Craft: Carpenter

COMMENTS/NOTES

FOREMAN REQUIREMENTS:

- When there are 2 or more Carpenters on a job, 1 shall be designated as a Foreman.
- When there are 21 or more Carpenters on a job, 2 shall be designated as Foremen.

The regular workday shall consist of 8 hours, starting between 7:00 AM and 9:00 AM.

SHIFT DIFFERENTIALS:

- When a 2 shift schedule (including a day shift) is established, the day shift shall be established on an 8 hour basis. The second shift shall be established on an 8 hour basis, and receive the regular rate plus 15%, inclusive of benefits.
- When a three shift schedule is established, the first shift shall be established on an 8 hour basis, the second shift on a 7.5 hour basis, and the third shift on a 7 hour basis. The first shift shall receive the regular hourly rate, the second shift shall receive the regular rate plus 15% and the third shift shall receive the regular rate plus 20%, inclusive of benefits.
- When there is no day shift, and a second or third shift is established, it shall be established on an 8 hour basis. The second shift shall receive the regular rate plus 15% and the third shift shall receive the regular rate plus 20%, inclusive of benefits.

OVERTIME:

- All hours in excess of 8 per day, or before or after an established shift that are not shift work, and all hours on Saturdays shall be paid at time and one-half the hourly rate, inclusive of benefits. All hours on Sundays and holidays shall be paid at double the hourly rate, inclusive of benefits.
- Four 10-hour days may be worked, Monday to Thursday, at straight time. Friday may be used as a make-up day for a day lost due to inclement weather. If Friday is not a make-up day, all hours on Friday shall be paid at time and one-half the hourly rate, inclusive of benefits.

RECOGNIZED HOLIDAYS: New Year's Day, Presidents' Day, Memorial Day, July 4th, Labor Day, Presidential Election

**NEW JERSEY DEPARTMENT OF LABOR AND WORKFORCE DEVELOPMENT
PREVAILING WAGE RATE DETERMINATION**

County - UNION

Day, Veterans' Day, Thanksgiving Day, Christmas Day. Sunday holidays observed the following Monday.

**NEW JERSEY DEPARTMENT OF LABOR AND WORKFORCE DEVELOPMENT
PREVAILING WAGE RATE DETERMINATION**

County - UNION

Craft: Carpenter - Resilient Flooring

PREVAILING WAGE RATE

	11/01/14
Foreman	W50.30 B28.16 T78.46
Journeyman	W43.74 B24.49 T68.23

Expiration Date: 04/30/2015

Craft: Carpenter - Resilient Flooring

APPRENTICE RATE SCHEDULE

INTERVAL	PERIOD AND RATES									
	6 Months	40%	45%	50%	55%	60%	65%	70%	75%	85%
Benefit	56%	of	Appren	tice	Wage	Rate		for all	intervals	

Ratio of Apprentices to Journeymen - *

* 1 apprentice shall be allowed to every 2 journeymen or major fraction thereof. No more than 3 apprentices on any one job or project.

Craft: Carpenter - Resilient Flooring

COMMENTS/NOTES

FOREMAN REQUIREMENTS:

- On any job where there are 4 or more Carpenters of Resilient Flooring, 1 must be designated a Foreman.

FOR SYNTHETIC TURF INSTALLATION ONLY:

- The rate shall be 90% of the wage and benefit rate.

The regular workday consists of 8 hours, starting between 6:00 AM and 9:00 AM.

SHIFT DIFFERENTIALS:

- When a 2 shift schedule (including a day shift) is established, the day shift, shall be established on an 8 hour basis. The second shift shall be established on an 8 hour basis, and receive the regular wage rate plus 15%.
- When a three shift schedule is established, the first shift shall be established on an 8 hour basis, the second shift on a 7.5 hour basis, and the third shift on a 7 hour basis. The first shift shall receive the regular wage rate, the second shift shall receive the regular wage rate plus 15% and the third shift shall receive the regular wage rate plus 20%.
- When there is no day shift, and a second or third shift is established, it shall be established on an 8 hour basis. The second shift shall receive the regular wage rate plus 15% and the third shift shall receive the regular wage rate plus 20%.

OVERTIME:

- Hours in excess of 8 per day or 40 per week, or before or after the regular workday, Monday through Friday, shall be paid at time and one-half the wage rate. Saturday may be used as a make-up day, at straight time, up to 8 hours, for hours lost to reasons beyond the control of the employer, up to a total of 40 hours per week; hours in excess of 8 on Saturday shall then be paid at time and one-half the wage rate. If Saturday is not a make-up day, all hours on Saturday shall be paid at time and one-half the wage rate. All hours on Sundays and holidays shall be paid at double the wage rate.
- Four 10-hour days may be worked, Monday to Thursday, at straight time. Friday may be used as a make-up day for hours lost to reasons beyond the control of the employer. If Friday is not a make-up day, all hours on Friday shall be paid at time and one-half the wage rate.

**NEW JERSEY DEPARTMENT OF LABOR AND WORKFORCE DEVELOPMENT
PREVAILING WAGE RATE DETERMINATION**

County - UNION

RECOGNIZED HOLIDAYS: New Year's Day, Presidents' Day, Memorial Day, July 4th, Labor Day, Presidential Election Day, Veterans' Day, Thanksgiving Day, Christmas Day. Sunday holidays will be observed the following Monday.

**NEW JERSEY DEPARTMENT OF LABOR AND WORKFORCE DEVELOPMENT
PREVAILING WAGE RATE DETERMINATION**

County - UNION

Craft: Cement Mason

PREVAILING WAGE RATE

See "Bricklayer, Stone Mason" Rates

Expiration Date:

Craft: Cement Mason

APPRENTICE RATE SCHEDULE

INTERVAL	PERIOD AND RATES									

Ratio of Apprentices to Journeymen - 1:4

Craft: Cement Mason

COMMENTS/NOTES

See "Bricklayer, Stone Mason" Rates

**NEW JERSEY DEPARTMENT OF LABOR AND WORKFORCE DEVELOPMENT
PREVAILING WAGE RATE DETERMINATION**

County - UNION

Craft: Diver PREVAILING WAGE RATE

	11/14/14
Diver	W54.34 B41.57 T95.91
Tender	W42.38 B41.57 T83.95

Expiration Date: 04/30/2015

Craft: Diver COMMENTS/NOTES

NOTE: All dive crews must consist of a Tender, a Diver, and a standby Diver (standby Diver is the same rate as a Diver).

DEPTH & PENETRATION RATES: Divers shall be paid the following depth and penetration rates, in addition to the regular hourly rate, when applicable:

AIR DIVES:

- 0-59 feet: No additional wage
- 60-74 feet: + \$0.25 per foot
- 5-125 feet: + \$0.78 per foot
- 126-200 feet: + \$1.60 per foot

MIXED GAS DIVES:

- 0-74 feet: No additional wage
- 75-125 feet: + \$1.00 per foot
- 126-200 feet: + \$2.00 per foot

PENETRATION DIVES:

- 126-200 feet: + \$1.50 per foot
- 201-275 feet: + \$1.75 per foot
- 276-350 feet: + \$2.00 per foot
- 351-425 feet: + \$2.50 per foot

OVERTIME:

Hours in excess of 8 per day, Monday through Friday, and all hours on Saturdays shall be paid at time and one-half the hourly rate. All hours on Sundays and holidays shall be paid at double the hourly rate.

RECOGNIZED HOLIDAYS: New Year's Day, Presidents' Day, Memorial Day, July 4th, Labor Day, Veterans' Day, Presidential Election Day, Thanksgiving Day, Christmas Day. Veterans' Day may be switched with the day after Thanksgiving.

**NEW JERSEY DEPARTMENT OF LABOR AND WORKFORCE DEVELOPMENT
PREVAILING WAGE RATE DETERMINATION**

County - UNION

Craft: Dockbuilder PREVAILING WAGE RATE

	11/14/14
Foreman	W48.99 B41.57 T90.56
Foreman (Concrete Form Work)	W48.99 B33.73 T82.72
Journeyman	W42.60 B41.57 T84.17
Journeyman (Concrete Form Work)	W42.60 B33.73 T76.33

Expiration Date: 04/30/2015

Craft: Dockbuilder APPRENTICE RATE SCHEDULE

<u>INTERVAL</u>	<u>PERIOD AND RATES</u>									
Yearly	17.04	21.30	27.69	34.08						
Benefit	28.42	for all	intervals		Concrete	Form Work	Only Ben.	= 23.03	for all	intervals

Ratio of Apprentices to Journeymen - *

* When there are 4 or fewer Dockbuilders on a job, no more than 1 may be an apprentice. When there are 5 or more Dockbuilders, there may be 1 apprentice for every 5 Dockbuilders.

Craft: Dockbuilder COMMENTS/NOTES

CREOSOTE HANDLING:

When handling creosote products on land piledriving, floating marine construction, and construction of wharves, the worker shall receive an additional \$0.25 per hour.

HAZARDOUS WASTE WORK:

- Hazardous waste removal work on a state or federally designated hazardous waste site where Level A, B, or C personal protection is required: an additional 20% of the hourly rate, per hour.
- Hazardous waste removal work in Level D, or where personal protection is not required: an additional \$1.00 per hour.

CERTIFIED WELDER: When required on the job by the project owner, a Certified Welder shall receive an additional \$1.00 per hour.

FOREMAN REQUIREMENTS:

The first Dockbuilder on the job shall be designated a Foreman.

OVERTIME:

Hours in excess of 8 per day, Monday through Friday, and all hours on Saturdays shall be paid at time and one-half the

**NEW JERSEY DEPARTMENT OF LABOR AND WORKFORCE DEVELOPMENT
PREVAILING WAGE RATE DETERMINATION**

County - UNION

hourly rate. All hours on Sundays and holidays shall be paid at double the hourly rate.

RECOGNIZED HOLIDAYS: New Year's Day, Presidents' Day, Memorial Day, July 4th, Labor Day, Veterans' Day, Presidential Election Day, Thanksgiving Day, Christmas Day. Veterans' Day may be switched with the day after Thanksgiving.

**NEW JERSEY DEPARTMENT OF LABOR AND WORKFORCE DEVELOPMENT
PREVAILING WAGE RATE DETERMINATION**

County - UNION

Craft: Drywall Finisher

PREVAILING WAGE RATE

	05/08/14
Foreman	W41.80 B21.60 T63.40
General Foreman	W43.70 B21.60 T65.30
Journeyman	W38.00 B21.60 T59.60

Expiration Date: 04/30/2015

Craft: Drywall Finisher

APPRENTICE RATE SCHEDULE

INTERVAL	PERIOD AND RATES									
4 Months	30%	40%	50%	60%	70%	75%	80%	85%	90%	
Benefits	Intervals	1 to 3 =	8.85	Intervals	4 to 6 =	11.28	Intervals	7 to 9 =	14.45	

Ratio of Apprentices to Journeymen - 1:4

Craft: Drywall Finisher

COMMENTS/NOTES

The regular workday shall consist of 8 hours between 7:00 AM and 5:30 PM.

SHIFT DIFFERENTIALS:

- The second shift shall receive an additional 10% of the hourly rate, per hour, and the third shift shall receive an additional 15% of the hourly rate, per hour.
- When 3 shifts are worked, the second shift shall receive 8 hours pay for 7.5 hours of work, and the third shift shall receive 8 hours pay for 7 hours of work.
- Shift work must run for a minimum of 5 consecutive workdays.

OVERTIME:

- Hours in excess of 8 per day, Monday through Friday, and all hours on Saturdays shall be paid at time and one-half the regular rate, inclusive of benefits. All hours on Sundays and holidays shall be paid at double the regular rate, inclusive of benefits.
- Saturday or Sunday may be used to make up a day lost to inclement weather, at straight time.

RECOGNIZED HOLIDAYS: New Year's Day, Memorial Day, July 4th, Labor Day, Presidential Election Day, Veterans' Day, Thanksgiving Day, Christmas Day. Saturday holiday observed the preceding Friday. Sunday holiday observed the following Monday.

**NEW JERSEY DEPARTMENT OF LABOR AND WORKFORCE DEVELOPMENT
PREVAILING WAGE RATE DETERMINATION**

County - UNION

Craft: Electrician

PREVAILING WAGE RATE

	06/02/14
Cable Splicer	W56.29 B32.17 T88.46
Foreman	W57.31 B32.76 T90.07
Journeyman	W51.17 B29.25 T80.42

Expiration Date: 05/31/2015

Craft: Electrician

APPRENTICE RATE SCHEDULE

INTERVAL	PERIOD AND RATES									
Yearly	40%	49%	58%	68%	80%		of Jour	neyman	Wage	Rate
Benefit	40%	49%	58%	68%	80%		of Jour	neyman	Benefit	Rate

Ratio of Apprentices to Journeymen - 2:3

Craft: Electrician

COMMENTS/NOTES

THESE RATES ALSO APPLY TO THE FOLLOWING:

- All burglar and fire alarm work.
- All fiber optic work.
- Teledata work in new construction.
- Teledata work involving 16 Voice/Data Lines or more.

The regular workday shall be 8 hours, between 8:00 AM and 4:30 PM.

FOREMAN REQUIREMENTS:

- On any job where there are 1 to 10 Journeymen electricians, 1 shall be designated a Foreman.

SHIFT DIFFERENTIALS:

- Shift work must run for a minimum of 5 consecutive workdays.
- 2nd Shift (4:30 PM to 12:30 AM) shall receive 8 hours pay for 7.5 hours work + an additional 10% of the regular rate, per hour, inclusive of benefits.
- 3rd Shift (12:30 AM to 8:00 AM) shall receive 8 hours pay for 7 hours work + an additional 15% of the regular rate, per hour, inclusive of benefits.

OVERTIME:

Hours in excess of 8 per day, or outside of the regular workday, Monday through Friday, and all hours on Saturdays, shall be paid at time and one-half the regular rate, inclusive of benefits. All hours on Sundays and holidays shall be paid at double the regular rate, inclusive of benefits.

**NEW JERSEY DEPARTMENT OF LABOR AND WORKFORCE DEVELOPMENT
PREVAILING WAGE RATE DETERMINATION**

County - UNION

RECOGNIZED HOLIDAYS: New Year's Day, Presidents' Day, Memorial Day, July 4th, Labor Day, Presidential Election Day, Veterans' Day, Thanksgiving Day, Christmas Day.

**NEW JERSEY DEPARTMENT OF LABOR AND WORKFORCE DEVELOPMENT
PREVAILING WAGE RATE DETERMINATION**

County - UNION

Craft: Electrician - Teledata (15 Voice/Data Lines & Less)

PREVAILING WAGE RATE

	12/04/14
Master Technician/General Foreman	W49.84 B28.49 T78.33
Senior Technician/Lead Foreman (21-30 Workers on Job)	W45.62 B26.08 T71.70
Technician A/Foreman (11-20 Workers on Job)	W43.71 B24.99 T68.70
Technician B/Working Foreman (4-10 Workers on Job)	W41.79 B23.89 T65.68
Technician C/Journeyman (1-3 Workers on Job)	W38.34 B21.92 T60.26

Expiration Date: 11/01/2015

Craft: Electrician - Teledata (15 Voice/Data Lines & Less)

APPRENTICE RATE SCHEDULE

INTERVAL	PERIOD AND RATES									
6 Months	19.20	20.48	22.62	25.18	28.16	30.72	33.71	36.70		
Benefits	7.96	8.49	9.38	10.44	11.68	12.74	13.98	15.22		

Ratio of Apprentices to Journeymen - 2:3

Craft: Electrician - Teledata (15 Voice/Data Lines & Less)

COMMENTS/NOTES

APPRENTICE RATE SCHEDULE FOR THOSE APPRENTICES ENTERING PROGRAM AFTER 10-31-14:

INTERVAL	PERIOD AND RATES									
6 Months	17.07	18.35	20.48	23.04	26.03	28.59	31.58	34.56		
Benefits	7.08	7.61	8.49	9.56	10.79	11.86	13.09	14.33		

NOTES:

- These rates are for service, maintenance, moves, and/or changes affecting 15 Voice/Data (teledata) lines or less. These rates may NOT be used for any teledata work in new construction (including additions) or any fiber optic work.
- The number of Teledata workers on the jobsite is the determining factor for which Foreman category applies.

The regular workday shall be 8 hours, between 8:00 AM and 4:30 PM.

SHIFT DIFFERENTIALS:

**NEW JERSEY DEPARTMENT OF LABOR AND WORKFORCE DEVELOPMENT
PREVAILING WAGE RATE DETERMINATION**

County - UNION

- Shift work must run for a minimum of 5 consecutive workdays.
- 2nd Shift (4:30 PM to 12:30 AM) shall receive 8 hours pay for 7.5 hours work + an additional 10% of the regular rate, per hour, inclusive of benefits.
- 3rd Shift (12:30 AM to 8:00 AM) shall receive 8 hours pay for 7 hours work + an additional 15% of the regular rate, per hour, inclusive of benefits.

OVERTIME:

Hours in excess of 8 per day, or outside of the regular workday, Monday through Friday, and all hours on Saturdays, shall be paid at time and one-half the regular rate, inclusive of benefits. All hours on Sundays and holidays shall be paid at double the regular rate, inclusive of benefits.

RECOGNIZED HOLIDAYS: New Year's Day, Presidents' Day, Memorial Day, July 4th, Labor Day, Presidential Election Day, Veterans' Day, Thanksgiving Day, Christmas Day.

NEW JERSEY DEPARTMENT OF LABOR AND WORKFORCE DEVELOPMENT
PREVAILING WAGE RATE DETERMINATION

County - UNION

Craft: Electrician - Teledata (16 Instruments & More)

PREVAILING WAGE RATE

See "Electrician" Rates

Expiration Date:

Craft: Electrician - Teledata (16 Instruments & More)

COMMENTS/NOTES

See ELECTRICIAN Rates

**NEW JERSEY DEPARTMENT OF LABOR AND WORKFORCE DEVELOPMENT
PREVAILING WAGE RATE DETERMINATION**

County - UNION

Craft: Electrician- Outside Commercial

PREVAILING WAGE RATE

	06/02/14
Cable Splicer	W56.56 B31.92 T88.48
Certified Welder	W53.99 B30.46 T84.45
Equipment Operator	W51.42 B29.01 T80.43
Foreman (1-10 Journeyman workers on job)	W57.59 B32.49 T90.08
Foreman (11-20 Journeyman workers on job)	W59.13 B33.37 T92.50
General Foreman (21-30 Journeyman workers on job)	W60.67 B34.23 T94.90
General Foreman (31-60 Journeyman workers on job)	W65.82 B37.13 T102.95
Groundman	W30.85 B17.41 T48.26
Journeyman Lineman/Technician	W51.42 B29.01 T80.43
Sub-Foreman	W57.59 B32.49 T90.08

Expiration Date: 06/01/2015

Craft: Electrician- Outside Commercial

APPRENTICE RATE SCHEDULE

INTERVAL	PERIOD AND RATES									
	60%	65%	70%	75%	80%	85%	90%			
1000 Hours										
Benefits	55.95% of	Journey	man	wage	+.01					

**NEW JERSEY DEPARTMENT OF LABOR AND WORKFORCE DEVELOPMENT
PREVAILING WAGE RATE DETERMINATION**

County - UNION

Craft: Electrician- Outside Commercial

COMMENTS/NOTES

APPRENTICE RATE SCHEDULE AS OF 6-2-14:

INTERVAL	PERIOD AND RATES							
1000 Hours	60%	65%	70%	75%	80%	85%	90%	
Benefits	56.41% of Journeyman wage + \$.01							

* FOR UTILITY WORK PLEASE SEE STATEWIDE RATES

The regular worday shall be 8 hours, between 8:00 AM and 4:30 PM.

FOREMAN REQUIREMENTS:

On jobs where there are 4 Journeymen, one shall be a Foreman. The following number of Foreman, General Foreman, Assistant General Foreman and Sub-Foreman shall be required with respect to number of Journeymen on site:

- 4-10 Journeymen (1 Foreman)
- 11-20 Journeymen (1 Foreman and 1 Sub-Foreman)
- 21-30 Journeymen (1 Foreman and 2 Sub-Foremen)

SHIFT DIFFERENTIALS:

Shift work must run for a minimum of 5 consecutive workdays.

2nd Shift (4:30 PM to 12:30 AM): 8 hrs. pay for 7.5 hrs. work + an additional 10% of the regular rate, inclusive of benefits.

3rd Shift (12:30 AM to 8:00 AM): 8 hrs. pay for 7 hrs. work + an additional 15% of the regular rate per hour, inclusive of benefits.

OVERTIME:

Hours in excess of 8 per day, or outside of the regular workday, Monday through Friday, and all hours on Saturdays, shall be paid at time and one-half the regular rate, inclusive of benefits. All hours on Sundays and holidays shall be paid at double the regular rate, inclusive of benefits.

RECOGNIZED HOLIDAYS:

New Year's Day, Presidents' Day, Memorial Day, July 4th, Labor Day, Presidential Election Day, Veterans' Day, Thanksgiving Day and Christmas Day.

**NEW JERSEY DEPARTMENT OF LABOR AND WORKFORCE DEVELOPMENT
PREVAILING WAGE RATE DETERMINATION**

County - UNION

Craft: Electrician-Utility Work (North)

PREVAILING WAGE RATE

Rates are located in the "Statewide" rate package

Expiration Date:

Craft: Electrician-Utility Work (North)

APPRENTICE RATE SCHEDULE

INTERVAL	PERIOD AND RATES									
6 Months	60%	65%	70%	75%	80%	85%	90%			
Benefits	62.5% of	Appren	tice	Wage	Rate	for all	intervals			

Craft: Electrician-Utility Work (North)

COMMENTS/NOTES

Electrician-Utility Work (North) rates are located in the "Statewide" rate package.

**NEW JERSEY DEPARTMENT OF LABOR AND WORKFORCE DEVELOPMENT
PREVAILING WAGE RATE DETERMINATION**

County - UNION

Craft: Electrician-Utility Work (South)

PREVAILING WAGE RATE

Rates are located in the "Statewide" rate package

Expiration Date:

Craft: Electrician-Utility Work (South)

APPRENTICE RATE SCHEDULE

INTERVAL	PERIOD AND RATES									
6 Months	26.27	28.46	30.65	32.84	35.03	37.22	39.41			
Benefits	21.83	23.08	24.32	25.57	26.81	28.06	29.32			

Craft: Electrician-Utility Work (South)

COMMENTS/NOTES

Electrician-Utility Work (South) rates are located in the "Statewide" rate package.

**NEW JERSEY DEPARTMENT OF LABOR AND WORKFORCE DEVELOPMENT
PREVAILING WAGE RATE DETERMINATION**

County - UNION

Craft: Elevator Constructor

PREVAILING WAGE RATE

	03/20/14
Journeyman	W58.23 B29.76 T87.99

Expiration Date: 03/16/2015

Craft: Elevator Constructor

APPRENTICE RATE SCHEDULE

INTERVAL	PERIOD AND RATES									
Yearly	26.06	32.03	37.85	43.67						
Benefits	25.76	26.16	26.96	27.76						

Ratio of Apprentices to Journeymen - 1:1

Craft: Elevator Constructor

COMMENTS/NOTES

The regular workday shall consist of either 7 or 8 hours to be established at the beginning of the project, between 7:00 AM and 4:30 PM.

OVERTIME:

For all hours worked before or after the regular workday, Monday through Friday, and all hours on Saturday and Sunday, shall be paid at double the hourly rate. Holiday pay is one days wages (8 hours) plus double the hourly rate for all hours worked.

RECOGNIZED HOLIDAYS: New Year's Day, Presidents' Day, Good Friday, Memorial Day, July 4th, Labor Day, Columbus Day, Veterans' Day, Thanksgiving Day and the day after, Christmas Day. Saturday holidays shall be observed on the previous Friday and Sunday holidays shall be observed on the following Monday.

**NEW JERSEY DEPARTMENT OF LABOR AND WORKFORCE DEVELOPMENT
PREVAILING WAGE RATE DETERMINATION**

County - UNION

Craft: Elevator Modernization & Service

PREVAILING WAGE RATE

	03/20/14
Journeyman	W46.00 B29.61 T75.61

Expiration Date: 03/16/2015

Craft: Elevator Modernization & Service

APPRENTICE RATE SCHEDULE

INTERVAL	PERIOD AND RATES									
Yearly	26.06	25.30	29.90	34.50						
Benefits	25.68	26.08	26.86	27.65						

Ratio of Apprentices to Journeymen - 1:1

Craft: Elevator Modernization & Service

COMMENTS/NOTES

MODERNIZATION (addition, replacement, refurbishing, relocation, or changes in design or appearance, of elevator equipment in existing buildings):

- The regular workday consists of 8 hours, between 7:00 AM and 4:30 PM.

- Overtime:

Hours in excess of 8 per day, or before or after the regular workday, Monday through Friday, and all hours on Saturday and Sunday shall be paid at time and one-half the hourly rate. Holiday pay is one days wages (8 hours) plus time and one-half the hourly rate for all hours worked.

SERVICE (repair or replacement of parts for the purpose of maintaining elevator equipment in good operating condition):

- The regular workday consists of 8 hours, between 6:00 AM and 6:00 PM.

- Overtime:

Hours in excess of 8 per day, or before or after the regular workday, Monday through Friday, and all hours on Saturday shall be paid at time and one-half the hourly rate. All hours on Sunday and holidays shall be paid at double the hourly rate.

RECOGNIZED HOLIDAYS (Modernization and Service): New Year's Day, Presidents' Day, Good Friday, Memorial Day, July 4th, Labor Day, Columbus Day, Veterans' Day, Thanksgiving Day and the day after, Christmas Day. Saturday holidays shall be observed on the previous Friday and Sunday holidays shall be observed on the following Monday.

**NEW JERSEY DEPARTMENT OF LABOR AND WORKFORCE DEVELOPMENT
PREVAILING WAGE RATE DETERMINATION**

County - UNION

Craft: Glazier PREVAILING WAGE RATE

	06/03/14	05/01/15	05/01/16
Foreman	W45.61 B22.04 T67.65	W0.00 B0.00 T69.15	W0.00 B0.00 T70.65
General Foreman	W47.61 B22.28 T69.89	W0.00 B0.00 T71.39	W0.00 B0.00 T72.89
Journeyman	W41.61 B21.56 T63.17	W0.00 B0.00 T64.67	W0.00 B0.00 T66.17

Expiration Date: 04/30/2017

Craft: Glazier APPRENTICE RATE SCHEDULE

INTERVAL	PERIOD AND RATES									
	30%	40%	50%	60%	70%	75%	80%	85%	90%	
4 Months										
Benefits	Intervals	1 to 3 =	6.51	Intervals	4 to 6 =	9.33	Intervals	7 to 9 =	11.67	

Ratio of Apprentices to Journeymen - 1:4

Craft: Glazier COMMENTS/NOTES

APPRENTICE RATE SCHEDULE FOR THOSE APPRENTICES ENTERING PROGRAM AS OF 5-1-14:

INTERVAL	PERIOD AND RATES							
6 Months	50%	55%	60%	65%	70%	75%	80%	90%
Benefits	8.10	8.10	10.34	10.34	11.51	11.51	14.62	14.62

Hazard/Height Pay: +\$1.00 per hour

FOREMAN REQUIREMENTS:

- When there are 4 or more Glaziers on a job, 1 must be designated a Foreman.
- When there are 15 or more Glaziers on a job, 1 must be designated a General Foreman.

The regular workday shall consist of 8 hours, between 7:00 AM and 5:30 PM, Monday to Friday.

SHIFT DIFFERENTIALS:

- The second shift shall receive an additional 10% of the hourly rate, per hour, and the third shift shall receive an additional 15% of the hourly rate, per hour.
- When 3 shifts are worked, the second shift shall receive 8 hours pay for 7.5 hours of work, and the third shift shall receive 8 hours pay for 7 hours of work.

OVERTIME:

Hours in excess of 8 per day, or before or after the regular workday Monday through Friday, and all hours on Saturdays shall be paid at time and one-half the regular rate. All hours on Sundays and holidays shall be paid at double the regular

**NEW JERSEY DEPARTMENT OF LABOR AND WORKFORCE DEVELOPMENT
PREVAILING WAGE RATE DETERMINATION**

County - UNION

rate.

RECOGNIZED HOLIDAYS: New Year's Day, Memorial Day, July 4th, Labor Day, General Election Day, Veterans' Day, Thanksgiving Day, Christmas Day. Saturday holiday observed the preceding Friday. Sunday holiday observed the following Monday.

**NEW JERSEY DEPARTMENT OF LABOR AND WORKFORCE DEVELOPMENT
PREVAILING WAGE RATE DETERMINATION**

County - UNION

Craft: Heat & Frost Insulator

PREVAILING WAGE RATE

	09/19/14
Foreman	W51.52 B28.42 T79.94
General Foreman	W54.07 B29.53 T83.60
Journeyman	W50.24 B27.86 T78.10

Expiration Date: 09/18/2015

Craft: Heat & Frost Insulator

APPRENTICE RATE SCHEDULE

INTERVAL	PERIOD AND RATES									
Yearly	23.27	27.59	33.35	39.16						
Benefits	16.96	20.03	21.99	23.76						

Ratio of Apprentices to Journeymen - 1:3

Craft: Heat & Frost Insulator

COMMENTS/NOTES

NOTE: These rates apply to the installing of insulation on hot and cold mechanical systems.

The regular workday shall be 8 hours between 8:00 AM and 4:30 PM.

SHIFT DIFFERENTIAL:

- Shift work must run for a minimum of 5 consecutive workdays.
- Second Shift shall work 7.5 hours and receive 8 hours pay, at the regular rate, plus 25% per hour.
- Third Shift shall work 7 hours and receive 8 hours pay, at the regular rate, plus 30% per hour.

OVERTIME:

The first 2 hours in excess of 8 per day, hours outside of the regular workday Monday through Friday that are not shift work, and the first 10 hours on Saturday, shall be paid at time and one-half the regular rate, inclusive of benefits. All hours in excess of 10 per day, and all hours on Sunday and holidays (except Labor Day) shall be paid at double the regular rate, inclusive of benefits. All hours on Labor Day shall be paid at triple the regular rate, inclusive of benefits.

RECOGNIZED HOLIDAYS: New Year's Day, President's Day, Memorial Day, July 4th, Labor Day, Veterans' Day, Presidential Election Day, Thanksgiving Day and Christmas Day. Sunday holidays observed the following Monday.

**NEW JERSEY DEPARTMENT OF LABOR AND WORKFORCE DEVELOPMENT
PREVAILING WAGE RATE DETERMINATION**

County - UNION

Craft: Heat & Frost Insulator - Asbestos Worker

PREVAILING WAGE RATE

	09/19/14
Asbestos Worker/Firestop	W25.68 B9.25 T34.93
Foreman	W51.52 B28.42 T79.94

Expiration Date: 09/18/2015

Craft: Heat & Frost Insulator - Asbestos Worker

APPRENTICE RATE SCHEDULE

INTERVAL	PERIOD AND RATES									
	SEE	HEAT &	FROST	INSULAT OR						

Ratio of Apprentices to Journeymen - 1:3

Craft: Heat & Frost Insulator - Asbestos Worker

COMMENTS/NOTES

NOTE: These rates apply only to the removal of insulation materials/asbestos from mechanical systems, including containment erection and demolition, and placing material in appropriate containers.

The regular workday shall be 8 hours between 8:00 AM and 4:30 PM.

SHIFT DIFFERENTIALS:

- Shift work must run for a minimum of 5 consecutive workdays.
- The second shift shall work 7.5 hours and receive 8 hours pay at the regular rate, plus 25% per hour.
- The third shift shall work 7 hours and receive 8 hours pay at the regular rate, plus 30% per hour.

OVERTIME: The first 2 hours in excess of 8 per day, hours outside of the regular workday Monday through Friday that are not shift work, and the first 10 hours on Saturday, shall be paid at time and one-half the regular rate, inclusive of benefits. All hours in excess of 10 per day, and all hours on Sunday and holidays (except Labor Day) shall be paid at double the regular rate, inclusive of benefits. All hours on Labor Day shall be paid at triple the regular rate, inclusive of benefits.

RECOGNIZED HOLIDAYS: New Year's Day, Presidents' Day, Memorial Day, July 4th, Labor Day, Veterans' Day, Presidential Election Day, Thanksgiving Day and Christmas Day. Sunday holidays observed the following Monday.

**NEW JERSEY DEPARTMENT OF LABOR AND WORKFORCE DEVELOPMENT
PREVAILING WAGE RATE DETERMINATION**

County - UNION

Craft: Ironworker PREVAILING WAGE RATE

	07/01/14
Rod Foreman	W40.74 B41.52 T82.26
Rod Journeyman	W37.74 B41.52 T79.26
Structural Foreman	W43.79 B41.52 T85.31
Structural Journeyman	W40.79 B41.52 T82.31

Expiration Date: 06/30/2015

Craft: Ironworker APPRENTICE RATE SCHEDULE

<u>INTERVAL</u>	<u>PERIOD AND RATES</u>									
6 Months	50%	60%		Yearly	70%	80%	90%			

Ratio of Apprentices to Journeymen - 1:4

Craft: Ironworker COMMENTS/NOTES

HAZARDOUS WASTE WORK: On hazardous waste removal work on a state or federally designated hazardous waste site where the Ironworker is required to wear Level A,B, or C personal protection: + \$3.00 per hour

The regular workday consists of 8 hours between 6:00 AM and 4:30 PM.

FOREMAN REQUIREMENTS:

When there are 2 or more Ironworkers on a job, 1 shall be designated a Foreman.

SHIFT DIFFERENTIALS:

- When a 2 shift schedule is established, the first, or day shift , shall be established on an 8 hour basis .The second shift shall be established on an 8 hour basis, and receive the regular rate plus 15%.
- When a three shift schedule is established, the first shift shall be established on an 8 hour basis, the second shift on a 7.5 hour basis, and the third shift on a 7 hour basis. The first shift shall receive the regular hourly rate, the second shift shall receive the regular rate plus 15%, and the third shift shall receive the regular rate plus 20%.
- When there is no day shift, and a second or third shift is established, it shall be established on an 8 hour basis.
- When an irregular shift is established for 5 consecutive days, the rate shall be paid at the regular rate and benefit rate , with no wage premium included. When an irregular shift is established for less than 5 days, the rate shall be paid at the regular rate plus 15%.

OVERTIME:

**NEW JERSEY DEPARTMENT OF LABOR AND WORKFORCE DEVELOPMENT
PREVAILING WAGE RATE DETERMINATION**

County - UNION

- All hours in excess of 8 per day, or before or after an established shift that are not shift work, and all hours on Saturday, shall be paid at time and one-half the regular rate, inclusive of benefits. All hours on Sunday and holidays shall be paid at double the hourly rate, inclusive of benefits. Saturday may be used as a make-up day for a day lost to inclement weather. If Saturday is not a make-up day, all hours on Saturday shall be paid at time and one-half the hourly rate, inclusive of benefits.

- Four 10-hour days may be worked, Monday to Thursday, at straight time. Friday may be used as a make-up day for a day lost to inclement weather. If Friday is not a make-up day, all hours on Friday shall be paid at time and one-half the hourly rate, inclusive of benefits.

RECOGNIZED HOLIDAYS: New Year's Day, Presidents' Day, Memorial Day, July 4th, Labor Day, Presidential Election Day, Veterans Day, Thanksgiving Day, Christmas Day.

**NEW JERSEY DEPARTMENT OF LABOR AND WORKFORCE DEVELOPMENT
PREVAILING WAGE RATE DETERMINATION**

County - UNION

Craft: Laborer - Asbestos & Hazardous Waste Removal

PREVAILING WAGE RATE

	12/17/14
Foreman	W38.00 B16.20 T54.20
Journeyman (Handler)	W36.00 B16.20 T52.20

Expiration Date: 07/31/2015

Craft: Laborer - Asbestos & Hazardous Waste Removal

APPRENTICE RATE SCHEDULE

INTERVAL	PERIOD AND RATES									
Yearly	27.96	28.66	29.72	31.84						
Benefits	16.15	for	all	intervals						

Ratio of Apprentices to Journeymen - *

* Ratio of apprentices to journeymen shall not be more than one apprentice for the first journeyman and no more than (1) apprentice for each additional three (3) journeymen.

Craft: Laborer - Asbestos & Hazardous Waste Removal

COMMENTS/NOTES

NOTE: These rates apply to work in connection with Asbestos, Radiation, Hazardous Waste, Lead, Chemical, Biological, Mold Remediation and Abatement.

The regular workday shall be 8 hours between 6:00 AM and 6:00 PM.

OVERTIME:

- Hours in excess of 8 per day, Monday through Saturday, and all hours on Sunday and holidays shall be paid at time and one-half the regular rate.
- When the owner (Public Body) mandates that work is to be performed on Sunday, those hours may be worked at straight time, up to 8 hours per day, up to 40 hours per week.
- Benefits on ALL overtime hours shall be paid at straight time.

RECOGNIZED HOLIDAYS: New Year's Day, President's Day, Good Friday, Easter, Memorial Day, July 4th, Labor Day, Presidential Election Day, Veterans' Day, Thanksgiving Day, Christmas Day.

**NEW JERSEY DEPARTMENT OF LABOR AND WORKFORCE DEVELOPMENT
PREVAILING WAGE RATE DETERMINATION**

County - UNION

Craft: Laborer - Building

PREVAILING WAGE RATE

	05/13/14
Class A Journeyman	W30.65 B23.37 T54.02
Class B Journeyman	W30.15 B23.37 T53.52
Class C Journeyman	W25.63 B23.37 T49.00
Foreman	W34.48 B23.37 T57.85
General Foreman	W38.31 B23.37 T61.68

Expiration Date: 04/30/2015

Craft: Laborer - Building

APPRENTICE RATE SCHEDULE

INTERVAL	PERIOD AND RATES									
	60%	70%	80%	90%						
6 Months										
Benefit	20.92	20.92	20.92	20.92						

Ratio of Apprentices to Journeymen - *

* Ratio of apprentices to journeymen shall not be more than one apprentice for the first journeyman and no more than (1) apprentice for each additional three (3) journeymen.

Craft: Laborer - Building

COMMENTS/NOTES

CLASS A: Specialist laborer including mason tender or concrete pour crew; scaffold builder (scaffolds up to 14 feet in height); operator of forklifts, Bobcats (or equivalent machinery), jack hammers, tampers, motorized tampers and compactors, vibrators, street cleaning machines, hydro demolition equipment, riding motor buggies, conveyors, burners; and nozzlemen on gunite work.

CLASS B: Basic laborer - includes all laborer work not listed in Class A or Class C.

CLASS C: Janitorial-type light clean-up work associated with the TURNOVER of a project, or part of a project, to the owner. All other clean-up work is Class B.

The regular workday shall be 8 hours between 6:00 AM and 6:00 PM.

SHIFT DIFFERENTIALS:

- Shift work must run for a minimum of 5 consecutive workdays.

- When a 2-shift schedule is worked, including a day shift, both shifts shall be established on the basis of 8 hours pay for 8 hours worked. The second shift shall receive the regular rate plus an additional 10%.

**NEW JERSEY DEPARTMENT OF LABOR AND WORKFORCE DEVELOPMENT
PREVAILING WAGE RATE DETERMINATION**

County - UNION

- When a 3-shift schedule is worked, the day shift shall be established on the basis of 8 hours pay for 8 hours worked, the second shift shall be established on the basis of 8 hours pay for 7.5 hours worked, and the third shift shall be established on the basis of 8 hours pay for 7 hours worked. The day shift shall receive the regular rate, the second shift shall receive the regular rate plus an additional 10%, and the third shift shall receive the regular rate plus an additional 15%.
- When a second or third shift is worked with no day shift, the second or third shift shall be established on the basis of 8 hours pay for 8 hours worked. The second shift shall receive the regular rate plus an additional 10%, and the third shift shall receive the regular rate plus an additional 15%.

OVERTIME:

- Hours in excess of 8 per day, or outside the regular workday that are not shift work, Monday through Friday, and all hours on Saturdays shall be paid at time and one-half the regular rate. Saturday may be used as a make-up day (paid at straight time) for a day lost to inclement weather, or for a holiday that is observed during the work week, Monday through Friday. All hours on Sundays and holidays shall be paid at double the regular rate.
- Four 10-hour days may be worked Monday to Thursday, at straight time, with Friday used a make-up day for a day lost to inclement weather. If Friday is not a make-up day, all hours on Friday shall be paid at time and one-half the regular rate.
- Benefits on ALL overtime hours shall be paid at time and one-half.

RECOGNIZED HOLIDAYS: New Year's Day, Washington's Birthday, Memorial Day, July 4th, Labor Day, Presidential Election Day, Veterans' Day, Thanksgiving Day, Christmas Day. Sunday holidays observed the following Monday.

**NEW JERSEY DEPARTMENT OF LABOR AND WORKFORCE DEVELOPMENT
PREVAILING WAGE RATE DETERMINATION**

County - UNION

Craft: Laborer - Heavy & General

PREVAILING WAGE RATE

Rates are located in the
"Statewide" rate package

Expiration Date:

Craft: Laborer - Heavy & General

APPRENTICE RATE SCHEDULE

INTERVAL	PERIOD AND RATES									
1000 Hours	60%	70%	80%	90%						
Benefit	18.03	for	all	intervals						

Ratio of Apprentices to Journeymen - *

* No more than 1 apprentice for the first journeyman and no more than 1 apprentice for each additional 3 journeymen.

Craft: Laborer - Heavy & General

COMMENTS/NOTES

Heavy & General Laborer rates are located in the "Statewide" rate package.

**NEW JERSEY DEPARTMENT OF LABOR AND WORKFORCE DEVELOPMENT
PREVAILING WAGE RATE DETERMINATION**

County - UNION

Craft: Millwright

PREVAILING WAGE RATE

	11/01/14	05/01/15	11/01/15
Foreman	W51.13	W0.00	W0.00
	B28.69	B0.00	B0.00
	T79.82	T80.59	T81.84
Journeyman	W44.46	W0.00	W0.00
	B24.95	B0.00	B0.00
	T69.41	T70.70	T71.95

Expiration Date: 04/30/2016

Craft: Millwright

APPRENTICE RATE SCHEDULE

INTERVAL	PERIOD AND RATES									
	40%	45%	50%	55%	60%	65%	70%	75%	85%	95%
6 Months										
Benefits	56% of	Appren	tice	Wage	Rate	for all	intervals	+.05		

Ratio of Apprentices to Journeymen - 1:4

Craft: Millwright

COMMENTS/NOTES

FOREMAN REQUIREMENTS:

- When there are 2 or more Millwrights on a job, 1 shall be designated as a Foreman.
- When there are 21 or more Millwrights on a job, 2 shall be designated as Foremen.

The regular workday shall consist of 8 hours, starting between 7:00 AM and 9:00 AM.

SHIFT DIFFERENTIALS:

- When a 2 shift schedule (including a day shift) is established, the day shift shall be established on an 8 hour basis. The second shift shall be established on an 8 hour basis, and receive the regular rate plus 15%, inclusive of benefits.
- When a three shift schedule is established, the first shift shall be established on an 8 hour basis, the second shift on a 7.5 hour basis, and the third shift on a 7 hour basis. The first shift shall receive the regular hourly rate, the second shift shall receive the regular rate plus 15% and the third shift shall receive the regular rate plus 20%, inclusive of benefits.
- When there is no day shift, and a second or third shift is established, it shall be established on an 8 hour basis. The second shift shall receive the regular rate plus 15% and the third shift shall receive the regular rate plus 20%, inclusive of benefits.

OVERTIME:

- All hours in excess of 8 per day, or before or after an established shift that are not shift work, and all hours on Saturdays shall be paid at time and one-half the hourly rate, inclusive of benefits. All hours on Sundays and holidays shall be paid at double the hourly rate, inclusive of benefits.
- Four 10-hour days may be worked, Monday to Thursday, at straight time. Friday may be used as a make-up day for a day lost due to inclement weather. If Friday is not a make-up day, all hours on Friday shall be paid at time and one-half the hourly rate, inclusive of benefits.

RECOGNIZED HOLIDAYS: New Year's Day, Presidents' Day, Memorial Day, July 4th, Labor Day, Presidential Election

**NEW JERSEY DEPARTMENT OF LABOR AND WORKFORCE DEVELOPMENT
PREVAILING WAGE RATE DETERMINATION**

County - UNION

Day, Veterans' Day, Thanksgiving Day, Christmas Day. Sunday holidays will be observed the following Monday.

**NEW JERSEY DEPARTMENT OF LABOR AND WORKFORCE DEVELOPMENT
PREVAILING WAGE RATE DETERMINATION**

County - UNION

Craft: **Operating Engineer**

PREVAILING WAGE RATE

Rates are located in the "Statewide" rate package

Expiration Date:

Craft: **Operating Engineer**

APPRENTICE RATE SCHEDULE

INTERVAL	PERIOD AND RATES									
Yearly	60%	70%	80%	90%						

Ratio of Apprentices to Journeymen - *

* 1 apprentice for each piece of heavy equipment. At least 10 pieces of heavy equipment or a minimum of 5 Operating Engineers must be on site.

Craft: **Operating Engineer**

COMMENTS/NOTES

Operating Engineer rates are located in the "Statewide" rate package.

**NEW JERSEY DEPARTMENT OF LABOR AND WORKFORCE DEVELOPMENT
PREVAILING WAGE RATE DETERMINATION**

County - UNION

Craft: Operating Engineer - Field Engineer

PREVAILING WAGE RATE

Rates are located in the
"Statewide" rate package

Expiration Date:

Craft: Operating Engineer - Field Engineer

APPRENTICE RATE SCHEDULE

INTERVAL	PERIOD AND RATES									
Yearly	70%	75%	of Rod/	Chainman	Wage					
Yearly			80%	90%	Transit/	Instrument	man	Wage		

Ratio of Apprentices to Journeymen - *

* No more than 1 Field Engineer Apprentice per Survey Crew.

Craft: Operating Engineer - Field Engineer

COMMENTS/NOTES

Operating Engineer - Field Engineer rates are located in the "Statewide" rate package.

**NEW JERSEY DEPARTMENT OF LABOR AND WORKFORCE DEVELOPMENT
PREVAILING WAGE RATE DETERMINATION**

County - UNION

Craft: Painter - Bridges

PREVAILING WAGE RATE

	05/15/14
Foreman	W55.68 B24.12 T79.80
General Foreman	W58.18 B24.12 T82.30
Journeyman	W50.68 B24.12 T74.80

Expiration Date: 04/30/2015

Craft: Painter - Bridges

APPRENTICE RATE SCHEDULE

INTERVAL	PERIOD AND RATES									
6 Months	50%	55%			60%	65%		75%	85%	
Benefits	Intervals	1 to 2 =	8.88	Intervals	3 to 4 =	10.56	Intervals	5 to 6 =	12.23	

Ratio of Apprentices to Journeymen - 1:4

Craft: Painter - Bridges

COMMENTS/NOTES

These rates apply to: All bridges that span waterways, roadways, railways and canyons. All tunnels, overpasses, viaducts and all appurtenances.

FOREMEN REQUIREMENTS:

- When there are 4 or more Painters on a job, 1 shall be designated a Foreman.
- When there are 15 or more Painters on a job, 1 shall be designated a General Foreman.

The regular workday shall consist of 8 hours between 7:00 AM and 5:30 PM.

SHIFT DIFFERENTIALS:

- The second shift shall receive an additional 10% of the hourly rate, per hour, and the third shift shall receive an additional 15% of the hourly rate, per hour.

OVERTIME:

- Hours in excess of 8 per day, Monday through Friday, and all hours on Saturdays and Sundays shall be paid at time and one-half the regular rate. All hours on holidays shall be paid at double the regular rate.
- Saturday or Sunday may be used to make up a day lost to inclement weather, at straight time.
- Four 10-hour days may be worked, at straight time, Monday through Friday.

RECOGNIZED HOLIDAYS: New Year's Day, President's Day, Memorial Day, July 4th, Labor Day, Presidential Election Day, Veterans' Day, Thanksgiving Day, Christmas Day. Saturday holiday observed the preceding Friday. Sunday holiday observed the following Monday.

**NEW JERSEY DEPARTMENT OF LABOR AND WORKFORCE DEVELOPMENT
PREVAILING WAGE RATE DETERMINATION**

County - UNION

Craft: Painter - Line Striping

PREVAILING WAGE RATE

	07/25/14
Foreman (Charge Person)	W35.45 B13.80 T49.25
Helper (1st Year)	W26.88 B13.71 T40.59
Helper (2nd Year)	W28.48 B13.74 T42.22
Helper (3rd Year)	W30.62 B13.75 T44.37
Journeyman	W34.95 B13.80 T48.75

Expiration Date: 06/30/2015

Craft: Painter - Line Striping

COMMENTS/NOTES

OVERTIME:

Hours in excess of 8 per day, Monday through Saturday, and all hours on Sundays and holidays shall be paid at time and one-half the hourly rate.

RECOGNIZED HOLIDAYS: New Year's Day, Presidents' Day, Memorial Day, July 4th, Labor Day, Veterans Day, Thanksgiving Day and Christmas Day. Veterans Day may be substituted for the day after Thanksgiving.

**NEW JERSEY DEPARTMENT OF LABOR AND WORKFORCE DEVELOPMENT
PREVAILING WAGE RATE DETERMINATION**

County - UNION

Craft: Painter - New Construction

PREVAILING WAGE RATE

	07/11/14
Foreman	W40.90 B21.34 T62.24
General Foreman	W44.67 B21.34 T66.01
Journeyman	W37.22 B21.34 T58.56

Expiration Date: 04/30/2015

Craft: Painter - New Construction

APPRENTICE RATE SCHEDULE

INTERVAL	PERIOD AND RATES									
4 Months	30%	40%	50%	60%	70%	75%	80%	85%	90%	
Benefits	Intervals	1 to 3 =	8.00	Intervals	4 to 6 =	10.00	Intervals	7 to 9 =	11.00	

Ratio of Apprentices to Journeymen - 1:4

Craft: Painter - New Construction

COMMENTS/NOTES

APPRENTICE RATE SCHEDULE FOR THOSE APPRENTICES ENTERING PROGRAM ON 5-1-14:

INTERVAL	PERIOD AND RATES							
6 Months	40%	45%	55%	65%	70%	75%	80%	90%
Benefits	8.00	8.00	10.00	10.00	11.00	11.00	14.00	14.00

Spraying, sandblasting, lead abatement, work on tanks or stacks, work performed above 3 stories or 30 feet in height, or using swing scaffolds requires an additional 10% of the wage rate.

FOREMEN REQUIREMENTS:

- When there are 4 or more Painters on a job, 1 shall be designated a Foreman.
- When there are 15 or more Painters on a job, 1 shall be designated a General Foreman.

The regular workday shall consist of 8 hours between 7:00 AM and 5:30 PM.

SHIFT DIFFERENTIALS:

- The second shift shall receive an additional 10% of the hourly rate, per hour, and the third shift shall receive an additional 15% of the hourly rate, per hour.

OVERTIME:

- Hours in excess of 8 per day, or before or after the regular workday, Monday through Friday, and all hours on Saturdays shall be paid at time and one-half the regular rate. All hours on Sundays and holidays shall be paid at double the regular

**NEW JERSEY DEPARTMENT OF LABOR AND WORKFORCE DEVELOPMENT
PREVAILING WAGE RATE DETERMINATION**

County - UNION

rate.

- Saturday or Sunday may be used to make up a day lost to inclement weather, at straight time.
- Four 10-hour days may be worked, at straight time, Monday through Friday.

RECOGNIZED HOLIDAYS: New Year's Day, President's Day, Memorial Day, July 4th, Labor Day, General Election Day, Veterans' Day, Thanksgiving Day, Christmas Day.

**NEW JERSEY DEPARTMENT OF LABOR AND WORKFORCE DEVELOPMENT
PREVAILING WAGE RATE DETERMINATION**

County - UNION

Craft: Painter - Repainting

PREVAILING WAGE RATE

	07/11/14
Foreman	W31.41 B17.95 T49.36
General Foreman	W34.27 B17.95 T52.22
Journeyman	W28.56 B17.95 T46.51

Expiration Date: 04/30/2015

Craft: Painter - Repainting

APPRENTICE RATE SCHEDULE

INTERVAL	PERIOD AND RATES									
	SEE	PAINTER	NEW	CONSTR UC	TION					

Ratio of Apprentices to Journeymen - 1:4

Craft: Painter - Repainting

COMMENTS/NOTES

NOTE: These rates may only be used on jobs where no major alterations occur, and where not more than 3 other trades are present on the job, but may NOT, under any circumstances, be used for work on bridges, stacks, elevated tank, or generating stations.

Spraying, sandblasting, lead abatement, work on tanks or stacks, work performed above 3 stories or 30 feet in height, or using swing scaffolds requires an additional 10% of the wage rate.

FOREMEN REQUIREMENTS:

- When there are 4 or more Painters on a job, 1 shall be designated a Foreman.
- When there are 15 or more Painters on a job, 1 shall be designated a General Foreman.

OVERTIME:

- Hours in excess of 8 per day and 40 per week shall be paid at time and one-half the regular rate.
- Four 10-hour days may be worked, at straight time, Monday through Sunday.

RECOGNIZED HOLIDAYS: New Year's Day, President's Day, Memorial Day, July 4th, Labor Day, General Election Day, Veterans' Day, Thanksgiving Day, Christmas Day.

**NEW JERSEY DEPARTMENT OF LABOR AND WORKFORCE DEVELOPMENT
PREVAILING WAGE RATE DETERMINATION**

County - UNION

Craft: Painter- Containment

PREVAILING WAGE RATE

	05/15/14
Journeyman	W31.37 B22.42 T53.79

Expiration Date: 04/30/2015

Craft: Painter- Containment

COMMENTS/NOTES

NOTE: These rates shall require no painting, but used in a supporting capacity only, such as wrapping, boxing, fencing, etc. on new tanks and structural steel only.

The regular workday shall consist of 8 hours between 7:00 AM and 5:30 PM.

SHIFT DIFFERENTIALS:

- The second shift shall receive an additional 10% of the hourly rate, per hour, and the third shift shall receive an additional 15% of the hourly rate, per hour.

OVERTIME:

- Hours in excess of 8 per day, Monday through Friday, and all hours on Saturdays and Sundays shall be paid at time and one-half the regular rate. All hours on holidays shall be paid at double the regular rate..

RECOGNIZED HOLIDAYS: New Year's Day President's Day, Memorial Day, July 4th, Labor Day, Presidential Election Day, Veterans' Day, Thanksgiving Day, Christmas Day. Saturday holiday observed the preceding Friday. Sunday holiday observed the following Monday.

**NEW JERSEY DEPARTMENT OF LABOR AND WORKFORCE DEVELOPMENT
PREVAILING WAGE RATE DETERMINATION**

County - UNION

Craft: Painter- Structural Steel and Tanks (New Construction)

PREVAILING WAGE RATE

	05/15/14
Foreman	W44.21 B22.42 T66.63
General Foreman	W46.71 B22.42 T69.13
Journeyman	W39.21 B22.42 T61.63

Expiration Date: 04/30/2015

Craft: Painter- Structural Steel and Tanks (New Construction)

APPRENTICE RATE SCHEDULE

INTERVAL	PERIOD AND RATES									
	SEE	PAINTER	BRIDGES							

Craft: Painter- Structural Steel and Tanks (New Construction)

COMMENTS/NOTES

These rates apply to: All work in nuclear plants, on towers, on steeples, on dams, on hangers and open steel whether new or repaint. All new work in refineries, tank farms, water/sewerage treatment facilities and on pipelines, and tanks, including all elevated and water tanks, tank interiors and repaint of ground tanks over sixty (60) feet in height.

FOREMEN REQUIREMENTS:

- When there are 4 or more Painters on a job, 1 shall be designated a Foreman.
- When there are 15 or more Painters on a job, 1 shall be designated a General Foreman.

The regular workday shall consist of 8 hours between 7:00 AM and 5:30 PM.

SHIFT DIFFERENTIALS:

- The second shift shall receive an additional 10% of the hourly rate, per hour, and the third shift shall receive an additional 15% of the hourly rate, per hour.

OVERTIME:

- Hours in excess of 8 per day, Monday through Friday, and all hours on Saturdays and Sundays shall be paid at time and one-half the regular rate. All hours on holidays shall be paid at double the regular rate.
- Saturday or Sunday may be used to make up a day lost to inclement weather, at straight time.
- Four 10-hour days may be worked, at straight time, Monday through Friday.

RECOGNIZED HOLIDAYS: New Year's Day, President's Day, Memorial Day, July 4th, Labor Day, Presidential Election Day, Veterans' Day, Thanksgiving Day, Christmas Day. Saturday holiday observed the preceding Friday. Sunday holiday observed the following Monday.

**NEW JERSEY DEPARTMENT OF LABOR AND WORKFORCE DEVELOPMENT
PREVAILING WAGE RATE DETERMINATION**

County - UNION

Craft: Painter- Structural Steel and Tanks (Repaint)

PREVAILING WAGE RATE

	05/15/14
Foreman	W35.31 B18.85 T54.16
General Foreman	W37.81 B18.85 T56.66
Journeyman	W30.31 B18.85 T49.16

Expiration Date: 04/30/2015

Craft: Painter- Structural Steel and Tanks (Repaint)

APPRENTICE RATE SCHEDULE

INTERVAL	PERIOD AND RATES									
	SEE	PAINTER	BRIDGES							

Craft: Painter- Structural Steel and Tanks (Repaint)

COMMENTS/NOTES

These rates apply to: All repaint work in refineries, tank farms, water/sewerage treatment facilities and on pipelines and repainting of all other tanks.

FOREMEN REQUIREMENTS:

- When there are 4 or more Painters on a job, 1 shall be designated a Foreman.
- When there are 15 or more Painters on a job, 1 shall be designated a General Foreman.

The regular workday shall consist of 8 hours between 7:00 AM and 5:30 PM.

SHIFT DIFFERENTIALS:

- The second shift shall receive an additional 10% of the hourly rate, per hour, and the third shift shall receive an additional 15% of the hourly rate, per hour.

OVERTIME:

- Hours in excess of 8 per day, Monday through Friday, and all hours on Saturdays and Sundays shall be paid at time and one-half the regular rate. All hours on holidays shall be paid at double the regular rate.
- Saturday or Sunday may be used to make up a day lost to inclement weather, at straight time.
- Four 10-hour days may be worked, at straight time, Monday through Friday.

RECOGNIZED HOLIDAYS: New Year's Day, President's Day, Memorial Day, July 4th, Labor Day, Presidential Election Day, Veterans' Day, Thanksgiving Day, Christmas Day.

**NEW JERSEY DEPARTMENT OF LABOR AND WORKFORCE DEVELOPMENT
PREVAILING WAGE RATE DETERMINATION**

County - UNION

Craft: Paperhanger - New Construction

PREVAILING WAGE RATE

	07/11/14
Foreman	W41.93 B21.44 T63.37
Journeyman	W38.12 B21.44 T59.56

Expiration Date: 04/30/2015

Craft: Paperhanger - New Construction

APPRENTICE RATE SCHEDULE

INTERVAL	PERIOD AND RATES									
	30%	40%	50%	60%	70%	75%	80%	85%	90%	
4 Months										
Benefits	Intervals	1 to 3 =	8.00	Intervals	4 to 6 =	10.00	Intervals	7 to 9 =	11.00	

Ratio of Apprentices to Journeymen - 1:4

Craft: Paperhanger - New Construction

COMMENTS/NOTES

APPRENTICE RATE SCHEDULE FOR THOSE APPRENTICES ENTERING PROGRAM ON 5-1-14:

INTERVAL	PERIOD AND RATES							
6 Months	40%	45%	55%	65%	70%	75%	80%	90%
Benefits	8.00	8.00	10.00	10.00	11.00	11.00	14.00	14.00

FOREMEN REQUIREMENTS:

- When there are 4 or more Paperhangers on a job, 1 shall be designated a Foreman.

The regular workday shall consist of 8 hours between 7:00 AM and 5:30 PM.

SHIFT DIFFERENTIALS:

- The second shift shall receive an additional 10% of the hourly rate, per hour, and the third shift shall receive an additional 15% of the hourly rate, per hour.

OVERTIME:

- Hours in excess of 8 per day, Monday through Friday, and all hours on Saturdays shall be paid at time and one-half the regular rate. All hours on Sundays and holidays shall be paid at double the regular rate.
- Saturday or Sunday may be used to make up a day lost to inclement weather, at straight time.
- Four 10-hour days may be worked, at straight time, Monday through Friday.

RECOGNIZED HOLIDAYS: New Year's Day, President's Day, Memorial Day, July 4th, Labor Day, General Election Day, Veterans' Day, Thanksgiving Day, Christmas Day.

**NEW JERSEY DEPARTMENT OF LABOR AND WORKFORCE DEVELOPMENT
PREVAILING WAGE RATE DETERMINATION**

County - UNION

Craft: Paperhanger - Renovation

PREVAILING WAGE RATE

	07/11/14
Foreman	W32.21 B18.03 T50.24
Journeyman	W29.28 B18.03 T47.31

Expiration Date: 04/30/2015

Craft: Paperhanger - Renovation

APPRENTICE RATE SCHEDULE

INTERVAL	PERIOD AND RATES									
	SEE	PAPER-	HANGER	NEW	CONSTR UC	TION				

Ratio of Apprentices to Journeymen - 1:4

Craft: Paperhanger - Renovation

COMMENTS/NOTES

NOTE: These rates may only be used on jobs where no major alterations occur, and where not more than 3 other trades are present on the job, but may NOT, under any circumstances, be used for work on bridges, stacks, elevated tanks, or generating stations.

FOREMEN REQUIREMENTS:

- When there are 4 or more Paperhangers on a job, 1 shall be designated a Foreman.

OVERTIME:

- Hours in excess of 8 per day and 40 per week shall be paid at time and one-half the regular rate.

- Four 10-hour days may be worked, at straight time, Monday through Sunday.

**NEW JERSEY DEPARTMENT OF LABOR AND WORKFORCE DEVELOPMENT
PREVAILING WAGE RATE DETERMINATION**

County - UNION

Craft: Pipefitter

PREVAILING WAGE RATE

	05/22/14
Foreman	W49.83 B37.22 T87.05
Journeyman	W46.08 B34.42 T80.50

Expiration Date: 04/30/2015

Craft: Pipefitter

APPRENTICE RATE SCHEDULE

INTERVAL	PERIOD AND RATES									
Yearly	35%	45%	55%	65%	75%					
Benefit	74.5% of	Appren	tice	Wage	Rate + .10	cents				

Ratio of Apprentices to Journeymen - 1:5

Craft: Pipefitter

COMMENTS/NOTES

FOR THOSE APPRENTICES REGISTERED PRIOR TO 5-1-10 THE FIFTH YEAR SHALL BE PAID AT 80%.

FOREMAN REQUIREMENTS:

- When there are 2 or more Journeyman Pipefitters on a job, 1 shall be designated a Foreman.
- There shall be a Foreman for every 8 Journeyman Pipefitters on a job.

The regular workday shall be 8 hours between 7:00 AM and 3:30 PM.

SHIFT DIFFERENTIAL:

- 2nd Shift (3:30 PM-11:30 PM) shall work 7.5 hours and receive 8 hours pay at the regular rate, plus 25% per hour.
- 3rd Shift (11:30 PM-7:00 AM) shall work 7 hours and receive 8 hours pay at the regular rate, plus 30% per hour.

OVERTIME:

- All hours worked in excess of 8 per day, Monday through Friday, and all hours worked on Saturday, shall be paid at time and one-half, inclusive of benefits. All hours on Sunday and holidays shall be paid at double time, inclusive of benefits.
- By mutual agreement, employees may work four 10-hour days, Monday to Thursday, at straight time rate. Friday may be used as a make-up day for a day lost to inclement weather, and may be paid at straight time. If Friday is not a make-up day, the first 8 hours shall be paid at time and one-half, inclusive of benefits; hours in excess of 8 shall be paid at double time, inclusive of benefits.

SHIFT DIFFERENTIAL (Maintenance Work Only):

- 2nd Shift (3:30 PM-11:30 PM) shall work 7.5 hours and receive 8 hours pay at the regular rate, plus 10% per hour.
- 3rd Shift (11:30 PM-7:00 AM) shall work 7 hours and receive 8 hours pay at the regular rate, plus 15% per hour.

OVERTIME (Maintenance Work Only):

**NEW JERSEY DEPARTMENT OF LABOR AND WORKFORCE DEVELOPMENT
PREVAILING WAGE RATE DETERMINATION**

County - UNION

- All hours in excess of 8 per day, Monday through Saturday, shall be paid at time and one-half, inclusive of benefits. All hours on Sundays and holidays shall be paid at double time, inclusive of benefits.

NOTE: Maintenance work is work to repair, restore, or improve the efficiency of existing facilities. This does NOT apply to ANY new construction.

RECOGNIZED HOLIDAYS: New Year's Day, Presidents' Day, Memorial Day, July 4th, Labor Day, Presidential Election Day, Veterans' Day, Thanksgiving Day, Christmas Day. Sunday holidays are observed the following Monday.

**NEW JERSEY DEPARTMENT OF LABOR AND WORKFORCE DEVELOPMENT
PREVAILING WAGE RATE DETERMINATION**

County - UNION

Craft: Plasterer

PREVAILING WAGE RATE

See Bricklayer, Stone Mason Rates

Expiration Date:

Craft: Plasterer

COMMENTS/NOTES

See BRICKLAYER, STONE MASON Rates

**NEW JERSEY DEPARTMENT OF LABOR AND WORKFORCE DEVELOPMENT
PREVAILING WAGE RATE DETERMINATION**

County - UNION

Craft: Plumber PREVAILING WAGE RATE

	05/01/14	05/01/15
Foreman	W53.31 B30.99 T84.30	W0.00 B0.00 T86.18
General Foreman	W56.76 B30.99 T87.75	W0.00 B0.00 T89.55
Journeyman	W49.36 B30.99 T80.35	W0.00 B0.00 T82.30

Expiration Date: 04/30/2016

Craft: Plumber APPRENTICE RATE SCHEDULE

INTERVAL	PERIOD AND RATES									
	30%	45%	55%	65%	75%					
Yearly										
Benefits	11.89	17.51	19.04	20.06	22.13					

Ratio of Apprentices to Journeymen - *

* Employers may employ 1 apprentice on any job where 1 or 2 journeymen are employed. Thereafter, 1 apprentice may be employed for every 4 journeymen.

Craft: Plumber COMMENTS/NOTES

FOREMAN REQUIREMENTS:

- On any job having 2 or more Plumbers, 1 must be designated a Foreman.
- On any job having 9 or more Plumbers, 2 shall be designated as Foremen.

The regular workday shall consist of 8 hours between 7:00 AM and 4:30 PM.

SHIFT DIFFERENTIALS:

- Shift work must continue for a minimum of 5 consecutive workdays.
- When two shifts are worked, the second shift shall work 7.5 hours and receive 8 hours pay, at a rate equal to the hourly rate plus 10%, inclusive of benefits.
- When a third shift is worked, the third shift shall work 7 hours and receive 8 hours pay, at a rate equal to the hourly rate plus 15%, inclusive of benefits.

OVERTIME:

- All hours in excess of 8 per day, or before of after the regular workday that are not shift work, Monday through Friday, and all hours on Saturday, shall be paid at time and one-half the regular rate, inclusive of benefits. All hours on Sunday and holidays, shall be paid at double the hourly rate, inclusive of benefits.
- Four 10-hour days may be worked, Monday to Thursday, at straight time. Friday may be used as a make-up day for a day lost due to inclement weather. If Friday is not a make-up day, all hours on Friday shall be paid at time and one-half, inclusive of benefits.

RECOGNIZED HOLIDAYS: New Year's Day, Presidents' Day, Memorial Day, July 4th, Labor Day, Presidential Election

**NEW JERSEY DEPARTMENT OF LABOR AND WORKFORCE DEVELOPMENT
PREVAILING WAGE RATE DETERMINATION**

County - UNION

Day, Veterans' Day, Thanksgiving Day, Christmas Day. Sunday holidays will be observed the following Monday.

**NEW JERSEY DEPARTMENT OF LABOR AND WORKFORCE DEVELOPMENT
PREVAILING WAGE RATE DETERMINATION**

County - UNION

Craft: Roofer PREVAILING WAGE RATE

	08/06/12
Foreman	W34.77 B21.52 T56.29
Journeyman	W33.77 B21.52 T55.29

Expiration Date: 05/31/2015

Craft: Roofer APPRENTICE RATE SCHEDULE

INTERVAL	PERIOD AND RATES									
	40%	50%	60%	70%	80%	90%				
6 Months										
Benefits	1.10	1.10	19.00	19.00	19.00	19.00				

Ratio of Apprentices to Journeymen - *

- * A) For roofing jobs that are of the 1 or single ply nature: 1:2 or fraction thereof
- B) For roofing jobs on new built up roofs: 1:3 or fraction thereof
- C) For roofing jobs that are of a tear-off nature: 1:2 or fraction thereof
- D) For roofing jobs {not requiring complete removal of existing systems, installation done over existing roof}: 1:3 or fraction thereof

Craft: Roofer COMMENTS/NOTES

Pitch: +.50 per hour

Mop Man: +.30 per hour

The regular workday consists of 8 hours between 8:00 AM and 4:30 PM.

OVERTIME:

Hours in excess of 8 per day, or before or after the regular workday, Monday through Friday, and all hours on Saturdays, Sundays, and holidays shall be paid at time and one-half the regular rate.

RECOGNIZED HOLIDAYS: New Year's Day, Good Friday, Memorial Day, July 4th, Labor Day, Presidential Election Day, Veterans' Day, Thanksgiving Day, Christmas Day.

**NEW JERSEY DEPARTMENT OF LABOR AND WORKFORCE DEVELOPMENT
PREVAILING WAGE RATE DETERMINATION**

County - UNION

Craft: Sheet Metal Sign Installation

PREVAILING WAGE RATE

	10/02/14
Foreman	W32.03 B27.97 T60.00
Journeyman	W30.78 B27.97 T58.75

Expiration Date: 03/31/2015

Craft: Sheet Metal Sign Installation

APPRENTICE RATE SCHEDULE

INTERVAL	PERIOD AND RATES									
	35%	40%	45%	50%	55%	60%	65%	70%	75%	80%
1000 hours										
Benefits	9.92	11.10	12.31	13.49	15.07	16.29	17.53	18.75	19.98	21.20

Ratio of Apprentices to Journeymen - 1:3

Craft: Sheet Metal Sign Installation

COMMENTS/NOTES

FOREMAN REQUIREMENT:

When there are 6 or more Sheet Metal Sign Installers on a job, 1 shall be designated a Foreman.

The regular workday consists of 8 hours, between 7:00 AM and 3:30 PM.

OVERTIME:

Hours before or after the regular workday, Monday through Friday, and all hours worked on Saturday shall be paid at time and one-half the hourly rate. All hours on Sunday and holidays shall be paid at double the hourly rate.

Four(4) 10 hour days may be worked, Monday through Friday, at straight time, for projects lasting at least one week in duration. The fifth day may be used as a make-up day at straight time for a day lost due to inclement weather. However, if the fifth day is not a make-up day, all hours worked will be paid at time and one-half the hourly rate.

RECOGNIZED HOLIDAYS: New Year's Day, Presidents' Day, Good Friday, Memorial Day, July 4th, Labor Day, Veterans' Day, Thanksgiving Day and the day after, Christmas Day. Saturday holidays observed the preceding Friday, Sunday holidays observed the following Monday.

**NEW JERSEY DEPARTMENT OF LABOR AND WORKFORCE DEVELOPMENT
PREVAILING WAGE RATE DETERMINATION**

County - UNION

Craft: Sheet Metal Worker

PREVAILING WAGE RATE

	06/09/14
Foreman	W47.13 B35.84 T82.97
General Foreman	W48.13 B35.84 T83.97
Journeyman	W44.63 B35.84 T80.47

Expiration Date: 05/31/2015

Craft: Sheet Metal Worker

APPRENTICE RATE SCHEDULE

INTERVAL	PERIOD AND RATES									
Yearly	35%	45%	55%	65%	of	Journey	man	Wage	Rate	
Benefit	35%	45%	55%	65%	of	Journey	man	Benefit	Rate	

Ratio of Apprentices to Journeymen - 1:4

Craft: Sheet Metal Worker

COMMENTS/NOTES

FOREMAN REQUIREMENTS:

- When there are 2 or more Sheet Metal Workers on a project, 1 must be designated a Foreman.
- When there are 17 or more Sheet Metal Workers on a project, 1 must be designated a General Foreman.
- When there is only 1 Sheet Metal Worker (1 Journeyman) on a project, he/she shall receive \$1.00 more than the regular Journeyman's rate.

The regular workday is 8 hours between 7:00 AM and 4:30 PM.

SHIFT DIFFERENTIAL:

- 2nd Shift (3:30 PM - 12:00 AM) : +17% of regular hourly rate
- Shift work must run for a minimum of 5 consecutive workdays.

OVERTIME:

- Hours in excess of 8 per day, or before or after the regular workday, that are not shift work, and the first 10 hours on Saturdays shall be paid at time and one-half of the regular rate, inclusive of benefits. Hours in excess of 10 per day on Saturday, and all hours on Sundays and holidays shall be at double the regular rate, inclusive of benefits.
- Four 10-hour days may be worked, Monday through Friday, at straight time, with hours in excess of 10 per day, and hours in excess of 40 per week paid at the overtime rates listed above.

RECOGNIZED HOLIDAYS: New Year's Day, Presidents' Day, Good Friday, Memorial Day, July 4th, Labor Day, Presidential Election Day, Veterans' Day, Thanksgiving Day, Christmas Day. Sunday holidays will be observed the following Monday.

**NEW JERSEY DEPARTMENT OF LABOR AND WORKFORCE DEVELOPMENT
PREVAILING WAGE RATE DETERMINATION**

County - UNION

Craft: Sprinkler Fitter

PREVAILING WAGE RATE

	07/01/14	07/01/15
Foreman	W60.78 B23.87 T84.65	W0.00 B0.00 T86.65
General Foreman	W63.59 B23.87 T87.46	W0.00 B0.00 T89.46
Journeyman	W56.78 B23.87 T80.65	W0.00 B0.00 T82.65

Expiration Date: 06/30/2016

Craft: Sprinkler Fitter

APPRENTICE RATE SCHEDULE

INTERVAL	PERIOD AND RATES									
1000 Hours	9.50	11.25	28.39	31.23	34.07	36.91	39.75	42.59	45.42	48.26
Benefits	10.12	10.12	19.87	19.87	19.87	19.87	Intervals	7 to 10	Jourymn	Ben.

APPRENTICE RATE SCHEDULE FOR THOSE APPRENTICES REGISTERED AS OF 7-1-13:

INTERVAL	PERIOD AND RATES									
1000 hours	14.20	17.03	22.71	25.55	31.23	34.07	39.75	42.59	48.26	51.10
Benefits	10.12	10.12	19.87	19.87	19.87	19.87	Intervals	7 to 10 receive	Journeyman	Ben.

Craft: Sprinkler Fitter

COMMENTS/NOTES

The regular workday consists of 8 consecutive hours between 6:00 AM and 4:30 PM.

FOREMAN REQUIREMENTS:

- The first Sprinkler Fitter on the job must be designated a Foreman.
- On any job having 12 or more Sprinkler Fitters, one must be designated a General Foreman.

SHIFT DIFFERENTIALS:

- Shift work must run for a minimum of 2 consecutive workdays.
- 2nd and 3rd shift shall receive an additional 15% of the regular rate, per hour.
- Any "off hours" shift starting at 8:00 PM or later shall receive an additional 25% of the regular rate, per hour.

OVERTIME:

The first 2 hours in excess of 8 per day, after the regular workday that are not shift work, Monday through Friday, shall be paid at time and one-half the regular rate. Hours worked in excess of 10 per day, Monday through Friday, and all hours on Saturday, Sunday and holidays, shall be paid double the regular rate.

Four 10 hour days may be worked, Monday through Thursday, at straight-time.

RECOGNIZED HOLIDAYS: New Year's Day, Presidents' Day, Good Friday, Memorial Day, July 4th, Labor Day, Presidential Election Day, Veterans Day, Thanksgiving Day, Christmas Day.

**NEW JERSEY DEPARTMENT OF LABOR AND WORKFORCE DEVELOPMENT
PREVAILING WAGE RATE DETERMINATION**

County - UNION

Craft: Tile Setter - Ceramic **PREVAILING WAGE RATE**

	02/23/15	06/01/15	12/07/15	06/06/16	12/05/16
Finisher	W41.10	W0.00	W0.00	W0.00	W0.00
	B28.07	B0.00	B0.00	B0.00	B0.00
	T69.17	T69.99	T70.81	T71.63	T72.45
Setter	W53.33	W0.00	W0.00	W0.00	W0.00
	B30.67	B0.00	B0.00	B0.00	B0.00
	T84.00	T85.13	T86.26	T87.39	T88.52

Expiration Date: 06/01/2017

Craft: Tile Setter - Ceramic **APPRENTICE RATE SCHEDULE**

INTERVAL	PERIOD AND RATES									
	50%	55%	60%	65%	70%	75%	85%	95%	100%	
750 Hours										

Ratio of Apprentices to Journeymen - 1:4

Craft: Tile Setter - Ceramic **COMMENTS/NOTES**

OVERTIME:

Hours in excess of 7 per day, and the first 10 hours on Saturdays shall be paid at time and one-half the hourly rate. All hours on Saturdays after 10 hours shall be paid double the hourly rate. All hours on Sundays and holidays shall be paid at double the hourly rate.

RECOGNIZED HOLIDAYS: New Year's Day, Memorial Day, July 4th, Labor Day, Thanksgiving Day, Christmas Day.

**NEW JERSEY DEPARTMENT OF LABOR AND WORKFORCE DEVELOPMENT
PREVAILING WAGE RATE DETERMINATION**

County - UNION

Craft: Tile Setter - Marble

PREVAILING WAGE RATE

	02/05/15	07/01/15	01/01/16	07/01/16	01/01/17	07/01/17	01/01/18
Tile Setter	W56.15	W56.53	W56.89	W57.32	W57.74	W58.18	W58.53
	B30.46	B31.32	B32.21	B33.23	B34.26	B35.27	B36.37
	T86.61	T87.85	T89.10	T90.55	T92.00	T93.45	T94.90

Expiration Date: 06/30/2018

Craft: Tile Setter - Marble

APPRENTICE RATE SCHEDULE

INTERVAL	PERIOD AND RATES									
	50%	55%	65%	70%	75%	85%	90%	95%		
750 Hours										

Ratio of Apprentices to Journeymen - 1:4

Craft: Tile Setter - Marble

COMMENTS/NOTES

OVERTIME:

Hours in excess of 7 per day, Monday through Friday, and the first 7 hours on Saturdays shall be paid at time and one-half the regular rate, inclusive of benefits. Hours in excess of 7 on Saturdays, and all hours on Sundays and holidays shall be paid at double the regular rate, inclusive of benefits.

RECOGNIZED HOLIDAYS: New Year's Day, Presidents' Day, Good Friday, Memorial Day, July 4th, Labor Day, Columbus Day, Veterans' Day, Thanksgiving Day and the day after, Christmas Day. Sunday holidays observed the following Monday.

**NEW JERSEY DEPARTMENT OF LABOR AND WORKFORCE DEVELOPMENT
PREVAILING WAGE RATE DETERMINATION**

County - UNION

Craft: Tile Setter - Mosaic & Terrazzo

PREVAILING WAGE RATE

	02/23/15	07/01/15	01/01/16	07/01/16	01/01/17
Grinder or Assistant	W48.12	W0.00	W0.00	W0.00	W0.00
	B32.28	B0.00	B0.00	B0.00	B0.00
	T80.40	T81.55	T82.70	T83.85	T85.00
Mechanic	W49.72	W0.00	W0.00	W0.00	W0.00
	B32.30	B0.00	B0.00	B0.00	B0.00
	T82.02	T83.17	T84.32	T85.47	T86.62

Expiration Date: 06/30/2017

Craft: Tile Setter - Mosaic & Terrazzo

APPRENTICE RATE SCHEDULE

INTERVAL	PERIOD AND RATES									
	50%	55%	65%	70%	75%	85%	90%	95%		
750 Hours										

Ratio of Apprentices to Journeymen - 1:5

Craft: Tile Setter - Mosaic & Terrazzo

COMMENTS/NOTES

The regular workday consists of 7 hours, between 8:00 AM and 3:30 PM.

OVERTIME:

- Hours in excess of 7 per day, or before or after the regular workday, Monday through Friday, and all hours on Saturdays shall be paid at time and one-half the hourly rate. All hours on Sundays and holidays shall be paid at double the hourly rate.

RECOGNIZED HOLIDAYS: New Year's Day, Presidents' Day, Good Friday, Monday after Easter, Memorial Day, July 4th, Labor Day, Columbus Day, Veterans' Day, Thanksgiving Day and the day after, Christmas Day. Sunday holidays observed the following Monday.

**NEW JERSEY DEPARTMENT OF LABOR AND WORKFORCE DEVELOPMENT
PREVAILING WAGE RATE DETERMINATION**

County - UNION

Craft: Truck Driver

PREVAILING WAGE RATE

	12/01/14	05/01/15	11/01/15
Bucket, Utility, Pick-up, Fuel Delivery trucks	W34.85 B31.07 T65.92	W0.00 B0.00 T67.57	W0.00 B0.00 T68.07
Dump truck, Asphalt Distributor, Tack Spreader	W34.85 B31.07 T65.92	W0.00 B0.00 T67.57	W0.00 B0.00 T68.07
Euclid-type vehicles (large, off-road equipment)	W35.00 B31.07 T66.07	W0.00 B0.00 T67.72	W0.00 B0.00 T68.22
Helper on Asphalt Distributor truck	W34.85 B31.07 T65.92	W0.00 B0.00 T67.57	W0.00 B0.00 T68.07
Slurry Seal, Seeding/Fertilizing/ Mulching truck	W34.85 B31.07 T65.92	W0.00 B0.00 T67.57	W0.00 B0.00 T68.07
Straight 3-axle truck	W34.90 B31.07 T65.97	W0.00 B0.00 T67.62	W0.00 B0.00 T68.12
Tractor Trailer (all types)	W35.00 B31.07 T66.07	W0.00 B0.00 T67.72	W0.00 B0.00 T68.22
Vacuum or Vac-All truck (entire unit)	W34.85 B31.07 T65.92	W0.00 B0.00 T67.57	W0.00 B0.00 T68.07
Winch Trailer	W35.10 B31.07 T66.17	W0.00 B0.00 T67.82	W0.00 B0.00 T68.32

Expiration Date: 04/30/2016

Craft: Truck Driver

COMMENTS/NOTES

BLENDED RATE:

When a truck driver is performing work on the site and also serving as a material delivery driver, the driver shall be paid a "blended rate" which shall be 80% of the above-listed wage rates, plus the full benefit rate. This rate shall be used when the driver "round robins" for a minimum of 6 hours during the work day.

HAZARDOUS WASTE REMOVAL:

- On hazardous waste removal work on a State designated hazardous waste site where the driver is in direct contact with hazardous materials and when personal protective equipment is required for respiratory, skin, and eye protection, the driver shall receive an additional \$3.00 per hour (with or without protective gear).
- A hazardous waste related certified worker at a designated hazardous waste site who is not working in a zone requiring level A, B or C personal protection shall receive an additional \$1.00 per hour.

TRUCK FOREMAN: \$.75 cents per hour above regular rate. Overtime shall be increased accordingly.

**NEW JERSEY DEPARTMENT OF LABOR AND WORKFORCE DEVELOPMENT
PREVAILING WAGE RATE DETERMINATION**

County - UNION

The regular workday shall be 8 hours, starting between 6:00 AM and 8:00 AM.

SHIFT DIFFERENTIAL:

- Shifts starting at 4:00 PM (2nd Shift): + \$2.50 per hour.
- Shifts starting at 12:00 AM (midnight/3rd Shift): time and one-half the hourly rate.
- Shifts starting at a time other than from 6:00 AM to 8:00 AM, when such hours are mandated by the project owner: + \$2.50 per hour.

OVERTIME:

- Hours in excess of 8 per day, or before or after the regular workday, Monday through Friday, that are not shift work, and all hours on Saturdays shall be paid at time and one-half the hourly rate. All hours on Sundays and holidays shall be paid at double the hourly rate.
- Employees may work four 10-hour days at straight time, Monday through Thursday, with Friday used as a make-up day for a lost day. If Friday is not a make-up day, then all hours on Friday shall be paid at time and one-half the hourly rate.

RECOGNIZED HOLIDAYS: New Year's Day, Presidents' Day, Memorial Day (Decoration Day), July 4th, Labor Day, Presidential Election Day, Veterans' Day, Thanksgiving Day, Christmas Day. Sunday holidays will be observed the following Monday. The day after Thanksgiving may be substituted for Veterans' Day.

NEW JERSEY DEPARTMENT OF LABOR AND WORKFORCE DEVELOPMENT
PREVAILING WAGE RATE DETERMINATION

County - UNION

Craft: Truck Driver-Material Delivery Driver

PREVAILING WAGE RATE

	05/01/12
Driver	W22.90 B10.17 T33.07

Expiration Date: 05/30/2016

Craft: Truck Driver-Material Delivery Driver

COMMENTS/NOTES

BLENDED RATE:

When a truck driver is performing work on the site and also serving as a material delivery driver, the driver shall be paid a "blended rate". See the "Truck Driver" craft for the blended rates.

Truck Foreman/Shop Steward: +\$0.25 per hour

SHIFT DIFFERENTIALS:

- 2nd Shift shall receive an additional \$0.50 per hour
- 3rd Shift shall receive time and one-half the hourly rate.

OVERTIME:

- Hours in excess of 8 per day, or before or after the regular workday that are not shift work, Monday through Friday, and all hours on Saturday shall be paid at time and one-half the hourly rate. All hours on Sundays shall be paid at two and one-half times the hourly rate. All hours on holidays shall be paid at double the hourly rate.

RECOGNIZED HOLIDAYS: New Year's Day, President's Day, Memorial Day (Decoration Day), July 4th, Labor Day, Presidential Election Day, Veterans' Day, Thanksgiving Day, Christmas Day. Sunday holidays will be observed the following Monday. The day after Thanksgiving may be substituted for Veterans' Day.

**NEW JERSEY DEPARTMENT OF LABOR AND WORKFORCE DEVELOPMENT
PREVAILING WAGE RATE DETERMINATION**

County - UNION

Craft: Welder

PREVAILING WAGE RATE

Welder

Expiration Date:

Craft: Welder

COMMENTS/NOTES

Welders rate is the same as the craft to which the welding is incidental .

STATEWIDE RATES

**NEW JERSEY DEPARTMENT OF LABOR AND WORKFORCE DEVELOPMENT
PREVAILING WAGE RATE DETERMINATION**

OPERATING ENGINEERS Rates Expiration Date : 06/30/2015

{For apprentice rates refer to "Operating Engineers" apprentice rates in any county rate package}

On all machines, including pile drivers with booms of 100 feet and over (including jib) the Operating Engineer shall receive the regular hourly rate plus: \$1.00 per hour on rigs with 100 foot Boom (including jib) up to 139 feet, and \$2.00 per hour on rigs with 140 foot Boom (including jib) and over. On all hoists where "Cat Head" or "Sheave Point" is 100 feet or more above ground level, the same differential pay shall apply as applicable to booms 100 feet and over.

The regular workday consists of 8 hours, Monday to Friday, between 6:00 AM and 4:30 PM.

SHIFT DIFFERENTIALS:

- Shift work must run for 5 consecutive workdays.
- When 2 shifts are worked, the second shift shall receive an additional 10% of the regular rate inclusive of benefits, per hour.
- When 3 shifts are worked, the second shift shall receive 8 hours pay for 7.5 hours of work, plus an additional 10% of the regular rate inclusive of benefits, per hour. The third shift shall receive 8 hours pay for 7 hours of work, plus an additional 15% of the regular rate inclusive of benefits, per hour.
- When such hours are mandated by the project owner, a shift that starts between 8:00 PM and midnight and ends by 6:00 AM Saturday, or that starts after 8:00 PM on Sunday, provided there are consecutive hours of work within the shift, shall receive an additional 15% of the regular rate, inclusive of benefits.
- On Highway, Road, Street, and Sewer projects irregular shifts starting between 5:00 PM and 12:00 AM may be worked Monday through Friday, and shall receive an additional 15% of the regular rate, inclusive of benefits. When working with other trades that receive a higher irregular shift rate, the Operating Engineer shall also receive the higher irregular shift rate.

OVERTIME:

- Hours in excess of 8 per day, or outside of the regular workday, Monday through Friday, that are not shift work, and all hours on Saturdays shall be paid at time and one-half the regular rate, inclusive of benefits. All hours on Sundays and holidays shall be paid at double the regular rate, inclusive of benefits.
- Four 10-hour days may be worked, Monday through Thursday, at straight time, with all hours on Friday paid at time and one-half the regular rate, inclusive of benefits.

RECOGNIZED HOLIDAYS: New Year's Day, Presidents' Day, Memorial Day, July 4th, Labor Day, Veterans' Day, Thanksgiving Day, Christmas Day. Sunday holidays observed the following Monday.

On hazardous waste removal work or asbestos removal work, on a state or federally designated hazardous waste site, where the operating engineer is in direct contact with hazardous material and when personal protective equipment is required for respiratory, skin, and eye protection, the operating engineer shall receive an additional 20% of the hourly wage, per hour.

NEW JERSEY DEPARTMENT OF LABOR AND WORKFORCE DEVELOPMENT
PREVAILING WAGE RATE DETERMINATION

OPERATING ENGINEERS Rates Expiration Date : 06/30/2015

Effective Date:	01/28/2015				
	Rate	Fringe	Total	Total	Total
	44.48	29.48	73.96	0.00	0.00
A-Frame					
Backhoe (combination)					
Boom Attachment on loaders (Except pipehook)					
Boring & Drilling Machine					
Brush Chopper, Brush Shredder, Tree Shredder					
Bulldozer, finish grade					
Cableway					
Carryall					
Concrete Pump					
Concrete Pumping System (Pumpcrete & similar types)					
Conveyor, 125 feet or longer					
Drill Doctor (Duties include dust collector and maintenance)					
Front End Loader (2 cu. yds. but less than 5 cu. yds.)					
Grader, finish					
Groove Cutting Machine (ride-on type)					
Heater Planer					
Hoist (all types including steam, gas, diesel, electric, air hydraulic, single and double drum, concrete, brick shaft caisson, snorkle roof, and other similar types, Except Chicago-boom type)					
Hydraulic Crane (10 tons & under)					
Hydro-Axe					
Hydro-Blaster					
Jack (screw, air hydraulic, power-operated unit, or console type, Except hand jack or pile load test type)					
Log Skidder					

TERRITORY
ENTIRE STATE

NEW JERSEY DEPARTMENT OF LABOR AND WORKFORCE DEVELOPMENT
PREVAILING WAGE RATE DETERMINATION

OPERATING ENGINEERS Rates Expiration Date : 06/30/2015

Effective Date:

01/28/2015

Rate	Fringe	Total	Total	Total
44.48	29.48	73.96	0.00	0.00

Pan

Paver, concrete

Plate & Frame Filter Press

Pumpcrete (unit type)

Pumpcrete, Squeezecrete, or Concrete Pumping machine
(regardless of size)

Scraper

Side Boom

Straddle Carrier (Ross and similar types)

Vacuum Truck

Whiphammer

Winch Truck (hoisting)

NEW JERSEY DEPARTMENT OF LABOR AND WORKFORCE DEVELOPMENT
PREVAILING WAGE RATE DETERMINATION

OPERATING ENGINEERS Rates Expiration Date : 06/30/2015

Effective Date:

01/28/2015

Rate	Fringe	Total	Total	Total
42.57	29.48	72.05	0.00	0.00

Asphalt Curbing Machine

Asphalt Plant Engineer

Asphalt Spreader

Autograde Curb Trimmer & Sidewalk Shoulder Slipform (CMI & similar types)

Autograde Curecrete Machine (CMI & similar types)

Autograde Tube Finisher & Texturing Machine (CMI & similar types)

Bar Bending Machines (Power)

Batcher, Batching Plant, & Crusher [On Site]

Belt Conveyor System

Boom-Type Skimmer Machine

Bridge Deck Finisher

Bulldozer (all sizes)

Captain (Power Boats)

Car Dumper (railroad)

Compressor & Blower unit for loading/unloading of concrete,
cement, fly ash, or similar type materials (used independently
or truck-mounted)

Compressor (2 or 3 battery)

Concrete Breaking Machine

Concrete Cleaning/Decontamination Machine

Concrete Finishing Machine

Concrete Saw or Cutter (ride-on type)

Concrete Spreader (Hetzl, Rexomatic & similar types)

Concrete Vibrator

NEW JERSEY DEPARTMENT OF LABOR AND WORKFORCE DEVELOPMENT
PREVAILING WAGE RATE DETERMINATION

OPERATING ENGINEERS Rates Expiration Date : 06/30/2015

Effective Date:	01/28/2015				
	Rate	Fringe	Total	Total	Total
	42.57	29.48	72.05	0.00	0.00
Conveyors - under 125 feet					
Crane Signalman					
Crushing Machine					
Directional Boring Machine					
Ditching Machine - Small (Ditchwitch, Vermeer or similar types)					
Dope Pot - Mechanical (with or without pump)					
Dumpster					
Elevator					
Fireman					
Fork Lift (Economobile, Lull & similar types)					
Front End Loader (1 cu. yd. and over but less than 2 cu. yds.)					
Generator (2 or 3 battery)					
Giraffe Grinder					
Grader & Motor Patrols					
Grout Pump					
Gunnite Machine (Excluding nozzle)					
Hammer - Vibratory (in conjunction with generator)					
Heavy Equipment Robotics - Operator/Technician					
Hoist (roof, tigger, aerial platform hoist, house car)					
Hopper					
Hopper Doors (power operated)					
Ladder (motorized)					
Laddervator					

TERRITORY
ENTIRE STATE

NEW JERSEY DEPARTMENT OF LABOR AND WORKFORCE DEVELOPMENT
PREVAILING WAGE RATE DETERMINATION

OPERATING ENGINEERS Rates Expiration Date : 06/30/2015

Effective Date:

01/28/2015

Rate	Fringe	Total	Total	Total
42.57	29.48	72.05	0.00	0.00

Locomotive (Dinky-type)

Maintenance Utility Man

Master Environmental Maintenance Technician

Mechanic

Mixer (Except paving mixers)

Pavement Breaker - maintenance of compressor or hydraulic unit

Pavement Breaker (truck-mounted or small self-propelled
ride-on type)

Pipe Bending Machine (power)

Pitch Pump

Plaster Pump (regardless of size)

Post Hole Digger (post pounder, auger)

Roller (black top)

Scale (power)

Seamen Pulverizing Mixer

Shoulder Widener

Silo

Skimmer Machine (boom type)

Steel Cutting Machine (service & maintenance)

Tamrock Drill

Tractor

Transfer Machines

Tug Captains

Tug Master (Power Boats)

NEW JERSEY DEPARTMENT OF LABOR AND WORKFORCE DEVELOPMENT
PREVAILING WAGE RATE DETERMINATION

OPERATING ENGINEERS **Rates Expiration Date : 06/30/2015**

Effective Date:	01/28/2015				
	Rate	Fringe	Total	Total	Total
	42.57	29.48	72.05	0.00	0.00
Ultra High Pressure Waterjet Cutting Tool System - Operator/Maintenance Technician					
Vacuum Blasting Machine - Operator/Maintenance Technician					
Vibrating Plant (used with unloading)					
Welder & Repair Mechanic					

Effective Date:	01/28/2015				
	Rate	Fringe	Total	Total	Total
	39.23	29.48	68.71	0.00	0.00
Assistant Engineer/Oiler					
Driller's Helper					
Field Engineer - Transit man or Instrument man					
Maintenance Apprentice (Deckhand)					
Maintenance Apprentice (Oiler)					
Mechanic's Helper					
Off Road Back Dump					

Effective Date:	01/28/2015				
	Rate	Fringe	Total	Total	Total
	36.65	29.48	66.13	0.00	0.00
Field Engineer - Rodman or Chainman					

Effective Date:	01/28/2015				
	Rate	Fringe	Total	Total	Total
	46.81	29.48	76.29	0.00	0.00
Lead Engineer, Foreman Engineer, Safety Engineer (minimum)					

NEW JERSEY DEPARTMENT OF LABOR AND WORKFORCE DEVELOPMENT
PREVAILING WAGE RATE DETERMINATION

OPERATING ENGINEERS Rates Expiration Date : 06/30/2015

Effective Date:

01/28/2015

Rate	Fringe	Total	Total	Total
46.07	29.48	75.55	0.00	0.00

Autograde Pavement Profiler - Recycle Type (CMI & similar types)

Autograde Pavement Profiler (CMI & similar types)

Autograde Placer/Trimmer/Spreader Combination (CMI & similar types)

Autograde Slipform Paver (CMI & similar types)

Backhoe (Excavator)

Central Power Plant

Concrete Paving Machine

Draglines

Drill, Bauer, AMI and similar types

Drillmaster, Quarrymaster

Drillmaster/Quarrymaster (down-the-hole drill), rotary drill, self-propelled hydraulic drill, self-powered drill

Elevator Grader

Field Engineer-Chief of Party

Front End Loader (5 cu. yards or larger)

Gradall

Grader, Rago

Helicopter Communications Engineer

Helicopter Co-Pilot

Juntann Pile Driver

Locomotive (large)

Mucking Machine

Pavement & Concrete Breaker (Superhammer & Hoe Ram)

TERRITORY
ENTIRE STATE

NEW JERSEY DEPARTMENT OF LABOR AND WORKFORCE DEVELOPMENT
PREVAILING WAGE RATE DETERMINATION

OPERATING ENGINEERS Rates Expiration Date : 06/30/2015

Effective Date:

01/28/2015

Rate	Fringe	Total	Total	Total
46.07	29.48	75.55	0.00	0.00

Pile Driver

Prentice Truck

Roadway Surface Grinder

Scooper (loader & shovel)

Shovel (Excavator)

Trackhoe (Excavator)

Tree Chopper with boom

Trenching Machine (cable plow)

Tunnel Boring Machine

NEW JERSEY DEPARTMENT OF LABOR AND WORKFORCE DEVELOPMENT
PREVAILING WAGE RATE DETERMINATION

OPERATING ENGINEERS Rates Expiration Date : 06/30/2015

Effective Date:

01/28/2015

Rate	Fringe	Total	Total	Total
40.94	29.48	70.42	0.00	0.00

Chipper

Compressor (single)

Concrete Spreader (small type)

Conveyor Loader (Except elevator graders)

Engines, Large Diesel (1620 HP) & Staging Pump

Farm Tractor

Fertilizing Equipment (operation & maintenance)

Fine Grade Machine (small type)

Form Line Grader (small type)

Front End Loader (under 1 cubic yard)

Generator (single)

Grease, Gas, Fuel, & Oil Supply Trucks

Heaters (Nelson or other type)

Lights - portable generating light plant

Mixer, Concrete (small)

Mulching Equipment (operation & maintenance)

Power Broom or Sweeper

Pump (diesel engine & hydraulic - regardless of power)

Pump (larger than 2 inch suction, including submersible pumps)

Road Finishing Machine (small type)

Roller - grade, fill, or stone base

Seeding Equipment (operation & maintenance)

Sprinkler & Water Pump Trucks

NEW JERSEY DEPARTMENT OF LABOR AND WORKFORCE DEVELOPMENT
PREVAILING WAGE RATE DETERMINATION

OPERATING ENGINEERS **Rates Expiration Date : 06/30/2015**

Effective Date:	01/28/2015				
	Rate	Fringe	Total	Total	Total
	40.94	29.48	70.42	0.00	0.00
Steam Generator or Boiler					
Stone Spreader					
Tamping Machine (vibrating ride-on type)					
Temporary Heating Plant (Nelson or other type, including propane, natural gas, and flow-type units)					
Water or Sprinkler Truck					
Welding Machine (gas, diesel, or electric convertor, of any type)					
Welding System - Multiple (rectifier transformer type)					
Wellpoint Systems (including installation by bull gang and maintenance)					

Effective Date:	01/28/2015				
	Rate	Fringe	Total	Total	Total
	47.89	29.48	77.37	0.00	0.00
Helicopter Pilot/Engineer					

Effective Date:	01/28/2015				
	Rate	Fringe	Total	Total	Total
	49.57	29.48	79.05	0.00	0.00
Cranes, Derricks, Pile Driver (all types), over 100 tons and TOWER CRANE with boom (including jib and/or leads) 140 ft. and over					

Effective Date:	01/28/2015				
	Rate	Fringe	Total	Total	Total
	48.57	29.48	78.05	0.00	0.00
Cranes, Derricks, Pile Driver (all types), over 100 tons and TOWER CRANE with boom (including jib and/or leads) from 100 ft. to 139 ft.					

Effective Date:	01/28/2015				
	Rate	Fringe	Total	Total	Total
	48.07	29.48	77.55	0.00	0.00
Cranes, Derricks, Pile Driver (all types) , under 100 tons with a boom (including jib and/or leads) 140 ft. and over					

TERRITORY
ENTIRE STATE

NEW JERSEY DEPARTMENT OF LABOR AND WORKFORCE DEVELOPMENT
PREVAILING WAGE RATE DETERMINATION

OPERATING ENGINEERS **Rates Expiration Date : 06/30/2015**

Effective Date:	01/28/2015				
	Rate	Fringe	Total	Total	Total
	47.57	29.48	77.05	0.00	0.00

Cranes, Derricks, Pile Driver (all types), over 100 tons and TOWER CRANE with a boom (including jib and/or leads) under 100 ft.

Effective Date:	01/28/2015				
	Rate	Fringe	Total	Total	Total
	47.07	29.48	76.55	0.00	0.00

Cranes, Derricks, Pile Driver (all types), under 100 tons with a boom (including jib and/or leads) from 100 ft. to 139 ft.

TERRITORY
ENTIRE STATE

NEW JERSEY DEPARTMENT OF LABOR AND WORKFORCE DEVELOPMENT
PREVAILING WAGE RATE DETERMINATION

STRUCTURAL STEEL ERECTION **Rates Expiration Date : 06/30/2015**

{For apprentice rates refer to "Operating Engineers" apprentice rates in any county rate package}

The regular workday consists of 8 hours, Monday to Friday, between 6:00 AM and 4:30 PM.

SHIFT DIFFERENTIALS:

- Shift work must run for 5 consecutive workdays.
- When 2 shifts are worked, the second shift shall receive an additional 10% of the regular rate inclusive of benefits, per hour.
- When 3 shifts are worked, the second shift shall receive 8 hours pay for 7.5 hours of work, plus an additional 10% of the regular rate inclusive of benefits, per hour. The third shift shall receive 8 hours pay for 7 hours of work, plus an additional 15% of the regular rate inclusive of benefits, per hour.
- When such hours are mandated by the project owner, a shift that starts between 8:00 PM and midnight and ends by 6:00 AM Saturday, or that starts after 8:00 PM on Sunday, provided there are consecutive hours of work within the shift, shall receive an additional 15% of the regular rate, inclusive of benefits.
- On Highway, Road, Street, and Sewer projects irregular shifts starting between 5:00 PM and 12:00 AM may be worked Monday through Friday, and shall receive an additional 15% of the regular rate, inclusive of benefits. When working with other trades that receive a higher irregular shift rate, the Operating Engineer shall also receive the higher irregular shift rate.

OVERTIME:

- Hours in excess of 8 per day, or outside of the regular workday, Monday through Friday, that are not shift work, and all hours on Saturdays shall be paid at time and one-half the regular rate, inclusive of benefits. All hours on Sundays and holidays shall be paid at double the regular rate, inclusive of benefits.
- Four 10-hour days may be worked, Monday through Thursday, at straight time, with all hours on Friday paid at time and one-half the regular rate, inclusive of benefits.

RECOGNIZED HOLIDAYS: New Year's Day, Presidents' Day, Memorial Day, July 4th, Labor Day, Veterans' Day, Thanksgiving Day, Christmas Day. Sunday holidays observed the following Monday.

On hazardous waste removal work or asbestos removal work, on a state or federally designated hazardous waste site, where the operating engineer is in direct contact with hazardous material and when personal protective equipment is required for respiratory, skin, and eye protection, the operating engineer shall receive an additional 20% of the hourly wage, per hour.

Effective Date:

01/28/2015

Rate	Fringe	Total	Total	Total
49.70	29.48	79.18	0.00	0.00

Helicopter Pilot or Engineer

NEW JERSEY DEPARTMENT OF LABOR AND WORKFORCE DEVELOPMENT
PREVAILING WAGE RATE DETERMINATION

STRUCTURAL STEEL ERECTION **Rates Expiration Date : 06/30/2015**

Effective Date:	01/28/2015				
	Rate	Fringe	Total	Total	Total
	45.64	29.48	75.12	0.00	0.00
A-Frame					
Cherry Picker -10 tons or less (Over 10 tons use crane rate)					
Hoist (all types Except Chicago-boom)					
Jack (screw, air hydraulic, power-operated unit or console type, Except hand jack or pile load test type)					
Side Boom					
Straddle Carrier					

Effective Date:	01/28/2015				
	Rate	Fringe	Total	Total	Total
	42.98	29.48	72.46	0.00	0.00
Aerial Platform Used On Hoists					
Apprentice Engineer/Oiler with Compressor or Welding Machine					
Captain (Power Boats)					
Compressor (2 or 3 in battery)					
Conveyor or Tugger Hoist					
Elevator or House Car					
Fireman					
Forklift					
Generator (2 or 3)					
Maintenance Utility Man					
Tug Master (Power Boats)					
Welding Machines, Gas or Electric Converters on any type-2 or 3 in battery including diesels					

TERRITORY
ENTIRE STATE

NEW JERSEY DEPARTMENT OF LABOR AND WORKFORCE DEVELOPMENT
PREVAILING WAGE RATE DETERMINATION

STRUCTURAL STEEL ERECTION **Rates Expiration Date : 06/30/2015**

Effective Date:	01/28/2015				
	Rate	Fringe	Total	Total	Total
	41.45	29.48	70.93	0.00	0.00
Compressor (Single)					
Generators					
Welding Machines, Gas, Diesel, Or Electric Converters of any type-single					
Welding System, Multiple (Rectifier Transformer Type)					

Effective Date:	01/28/2015				
	Rate	Fringe	Total	Total	Total
	39.69	29.48	69.17	0.00	0.00
Assistant Engineer/Oiler					
Drillers Helper					
Field Engineer - Transit/Instrument Man					
Maintenance Apprentice (Deckhand)					
Maintenance Apprentice (Oiler)					

Effective Date:	01/28/2015				
	Rate	Fringe	Total	Total	Total
	47.26	29.48	76.74	0.00	0.00
Lead Engineer, Foreman Engineer, Safety Engineer (Minimum)					

Effective Date:	01/28/2015				
	Rate	Fringe	Total	Total	Total
	36.65	29.48	66.13	0.00	0.00
Field Engineer - Rodman or Chainman					

Effective Date:	01/28/2015				
	Rate	Fringe	Total	Total	Total
	46.40	29.48	75.88	0.00	0.00
Field Engineer-Chief of Party					

TERRITORY
ENTIRE STATE

NEW JERSEY DEPARTMENT OF LABOR AND WORKFORCE DEVELOPMENT
PREVAILING WAGE RATE DETERMINATION

STRUCTURAL STEEL ERECTION **Rates Expiration Date : 06/30/2015**

Effective Date:	01/28/2015				
	Rate	Fringe	Total	Total	Total
	51.59	29.48	81.07	0.00	0.00

Cranes (all cranes, land or floating with booms, including jib, 140 ft. and over, above ground). Derricks (all derricks, land, floating or Chicago Boom type with booms including jib, 140 ft. and over, above ground), and Pile Drivers (all types) over 100 tons and Tower Cranes.

Effective Date:	01/28/2015				
	Rate	Fringe	Total	Total	Total
	49.93	29.48	79.41	0.00	0.00

Cranes (all cranes, land or floating with booms including jib, less than 140 ft. above ground), Derricks (all derricks, land, floating or Chicago Boom type with booms including jib, less than 140 ft. above ground), Pile Drivers (all types), over 100 tons and Tower Crane.

Effective Date:	01/28/2015				
	Rate	Fringe	Total	Total	Total
	50.09	29.48	79.57	0.00	0.00

Cranes (all cranes, land or floating with booms including jib, 140 ft. and over, above ground), Derricks (all derricks, land, floating or Chicago Boom type with booms including jib, 140 ft. and over, above ground), Pile Drivers (all types), under 100 tons.

Effective Date:	01/28/2015				
	Rate	Fringe	Total	Total	Total
	48.43	29.48	77.91	0.00	0.00

Cranes (all cranes, land or floating with booms including jib, less than 140 ft. above ground), Derricks (all derricks, land, floating or Chicago Boom type with booms including jib, less than 140 ft. above ground), Pile Drivers (all types), under 100 tons.

Effective Date:	01/28/2015				
	Rate	Fringe	Total	Total	Total
	50.09	29.48	79.57	0.00	0.00

Helicopter Communications Engineer

Helicopter Co-Pilot

**TERRITORY
ENTIRE STATE**

**NEW JERSEY DEPARTMENT OF LABOR AND WORKFORCE DEVELOPMENT
PREVAILING WAGE RATE DETERMINATION**

TEST BORING PRELIMINARY TO CONSTRUCTION-SOUTH/WEST Rates Expiration Date : 06/30/2015

THESE RATES APPLY IN THE FOLLOWING COUNTIES ONLY:

Atlantic, Burlington, Camden, Cape May, Cumberland, Gloucester, Hunterdon, Mercer, Monmouth, Ocean, Salem, Sussex, Warren

On all machines, including pile drivers with booms of 100 feet and over (including jib) the Operating Engineer shall receive the regular hourly rate plus: \$1.00 per hour on rigs with 100 foot Boom (including jib) up to 139 feet, and \$2.00 per hour on rigs with 140 foot Boom (including jib) and over. On all hoists where "Cat Head" or "Sheave Point" is 100 feet or more above ground level, the same differential pay shall apply as applicable to booms 100 feet and over.

The regular workday consists of 8 hours, Monday to Friday, between 6:00 AM and 4:30 PM.

SHIFT DIFFERENTIALS:

- Shift work must run for 5 consecutive workdays.
- When 2 shifts are worked, the second shift shall receive an additional 10% of the regular rate inclusive of benefits, per hour.
- When 3 shifts are worked, the second shift shall receive 8 hours pay for 7.5 hours of work, plus an additional 10% of the regular rate inclusive of benefits, per hour. The third shift shall receive 8 hours pay for 7 hours of work, plus an additional 15% of the regular rate inclusive of benefits, per hour.
- When such hours are mandated by the project owner, a shift that starts between 8:00 PM and midnight and ends by 6:00 AM Saturday, or that starts after 8:00 PM on Sunday, provided there are consecutive hours of work within the shift, shall receive an additional 15% of the regular rate, inclusive of benefits.
- On Highway, Road, Street, and Sewer projects irregular shifts starting between 5:00 PM and 12:00 AM may be worked Monday through Friday, and shall receive an additional 15% of the regular rate, inclusive of benefits. When working with other trades that receive a higher irregular shift rate, the Operating Engineer shall also receive the higher irregular shift rate.

OVERTIME:

- Hours in excess of 8 per day, or outside of the regular workday, Monday through Friday, that are not shift work, and all hours on Saturdays shall be paid at time and one-half the regular rate, inclusive of benefits. All hours on Sundays and holidays shall be paid at double the regular rate, inclusive of benefits.
- Four 10-hour days may be worked, Monday through Thursday, at straight time, with all hours on Friday paid at time and one-half the regular rate, inclusive of benefits.

RECOGNIZED HOLIDAYS: New Year's Day, Presidents' Day, Memorial Day, July 4th, Labor Day, Veterans' Day, Thanksgiving Day, Christmas Day. Sunday holidays observed the following Monday.

On hazardous waste removal work or asbestos removal work, on a state or federally designated hazardous waste site, where the operating engineer is in direct contact with hazardous material and when personal protective equipment is required for respiratory, skin, and eye protection, the operating engineer shall receive an additional 20% of the hourly wage, per hour.

Effective Date:

01/28/2015

Rate	Fringe	Total	Total	Total
46.07	29.48	75.55	0.00	0.00

Driller

TERRITORY
ENTIRE STATE

NEW JERSEY DEPARTMENT OF LABOR AND WORKFORCE DEVELOPMENT
PREVAILING WAGE RATE DETERMINATION

TEST BORING PRELIMINARY TO CONSTRUCTION-SOUTH/WEST Rates Expiration Date : 06/30/2015

Effective Date:

01/28/2015

Rate	Fringe	Total	Total	Total
39.23	29.48	68.71	0.00	0.00

Driller's Helper

TERRITORY
ENTIRE STATE

NEW JERSEY DEPARTMENT OF LABOR AND WORKFORCE DEVELOPMENT
PREVAILING WAGE RATE DETERMINATION

FREE AIR TUNNEL JOBS Rates Expiration Date : 02/28/2015

{For apprentice rates refer to "Heavy & General" apprentice rates in any county rate package}

The regular workday consists of 8 hours, starting at 7:00 AM or 8:00 AM.

SHIFT DIFFERENTIALS:

- Shifts must start at 3:00 PM, 4:00 PM, 12:00 AM, or 1:00 AM, to be considered shift work, except when the project owner mandates special hours of work in the job specifications, in which case those hours may be considered shift work.
- When such hours are mandated by the project owner, a shift that begins before midnight on Friday and ends on Saturday morning, or that begins at or after 8:00 PM on Sunday and ends on Monday morning may be paid at the shift differential rate.
- Shifts shall receive an additional \$2.50 per hour.

OVERTIME:

- Hours in excess of 8 per day, Monday through Friday, or outside of the regular workday that are not shift work, and all hours on Saturdays, shall be paid at time and one-half the hourly rate. All hours on Sundays and holidays shall be paid at double the hourly rate.
- Four 10-hour days may be worked, Monday through Thursday, at straight time, with Friday used as a make-up day for a day lost to inclement weather. If Friday is not a make-up day, all hours on Friday shall be paid at time and one-half the hourly rate.

RECOGNIZED HOLIDAYS: New Year's Day, Presidents' Day, Memorial Day, July 4th, Labor Day, Presidential Election Day, Veterans' Day, Thanksgiving Day, Christmas Day. Sunday holidays observed the following Monday. Veterans Day may be substituted for the day after Thanksgiving. However, in the trading of Veterans Day for the day after Thanksgiving, if overtime is worked on Veterans Day, it shall be paid at double the hourly rate.

Hazardous Waste Work:

- where Level A, B, or C protection is required: + \$3.00/hr
- other Hazardous Waste site: + \$1.00/hr

Effective Date:

03/01/2014

Rate	Fringe	Total	Total	Total
38.00	25.28	63.28	0.00	0.00

Walking Boss & Superintendent

Effective Date:

03/01/2014

Rate	Fringe	Total	Total	Total
37.70	25.28	62.98	0.00	0.00

Heading Foreman, Shaft Foreman, Rod Foreman, Electrician Foreman, Rigging Foreman

Effective Date:

03/01/2014

Rate	Fringe	Total	Total	Total
37.20	25.28	62.48	0.00	0.00

Iron Foreman, Caulking Foreman, Form Foreman, Cement Finishing Foreman, Concrete Foreman, Track Foreman, Cleanup Foreman, Grout Foreman

NEW JERSEY DEPARTMENT OF LABOR AND WORKFORCE DEVELOPMENT
PREVAILING WAGE RATE DETERMINATION

FREE AIR TUNNEL JOBS **Rates Expiration Date : 02/28/2015**

Effective Date:	03/01/2014				
	Rate	Fringe	Total	Total	Total
	39.70	25.28	64.98	0.00	0.00

Blaster

Effective Date:	03/01/2014				
	Rate	Fringe	Total	Total	Total
	36.65	25.28	61.93	0.00	0.00

Top Labor Foreman

Effective Date:	03/01/2014				
	Rate	Fringe	Total	Total	Total
	36.30	25.28	61.58	0.00	0.00

Skilled Men (including Caulker, Powder Carrier, all other skilled men)

Skilled Men (including Miner, Drill Runner, Iron Man, Conveyor Man, Manintenance Man, Safety Miner, Rigger, Block Layer, Cement Finisher, Tod Man)

Effective Date:	03/01/2014				
	Rate	Fringe	Total	Total	Total
	36.15	25.28	61.43	0.00	0.00

Semi-Skilled Men (including Bell or Signal Man Top or Bottom, Form Worker & Mover, Concrete Worker, Shaft Man, Tunnel Laborer, Caulker's Helper, all other semi-skilled)

Semi-Skilled Men (including Miner's Helper, Chuck Tender, Track Man, Nipper, Brake Man, Derail Man, Cable Man, Hose Man, Gravel Man, Form Man)

Effective Date:	03/01/2014				
	Rate	Fringe	Total	Total	Total
	35.65	25.28	60.93	0.00	0.00

All Others (including Powder Watchman, Change House Attendant, Top Laborer)

TERRITORY
ENTIRE STATE

NEW JERSEY DEPARTMENT OF LABOR AND WORKFORCE DEVELOPMENT
PREVAILING WAGE RATE DETERMINATION

DRILL FOR GROUND WATER SUPPLY **Rates Expiration Date : 06/30/2015**

The well driller and/or helper may perform all work relative to the construction, finishing, and servicing of wells, pumps and borings for ground water supply. The present methods of well drilling entailing as they do, many diverse job operations calling for drilling, pump discharge, piping, and the operation of various types of related power equipment, shall all be within the job duties and functions of the well driller and/or helper. In the event that an extension of work should occur beyond water well drilling functions, into the field of general construction work, such extension of work would come under the appropriate rates listed elsewhere in this wage determination.

- For Work Hours, Shift Differentials, Overtime Rates, and Recognized Holidays see the "Operating Engineers" section of this wage determination.

Effective Date:	01/28/2015				
	Rate	Fringe	Total	Total	Total
	44.82	29.48	74.30	0.00	0.00
Driller					

Effective Date:	01/28/2015				
	Rate	Fringe	Total	Total	Total
	37.98	29.48	67.46	0.00	0.00
Driller's Helper					

TERRITORY
ENTIRE STATE

NEW JERSEY DEPARTMENT OF LABOR AND WORKFORCE DEVELOPMENT
PREVAILING WAGE RATE DETERMINATION

OPERATING ENGINEERS MARINE-DREDGING **Rates Expiration Date : 09/30/2015**

NOTE: Boat crews carrying explosive material (dynamite, pourfex, and other similar materials) shall be paid at 120% of the hourly wage rate for hours engaged in handling of said materials. Employees required to possess a Hazardous Material Certification as a condition of employment shall be compensated at 120% of the hourly wage rate.

OVERTIME:

Hours in excess of 40 per week, and all hours on Saturdays and Sundays, shall be paid at time and one-half the hourly rate. All hours on holidays shall be paid at double the hourly rate.

RECOGNIZED HOLIDAYS: New Year's Day, Martin Luther King Day, Good Friday, Memorial Day, July 4th, Labor Day, Veterans' Day, Thanksgiving Day, Christmas Day. Sunday holidays observed the following Monday.

Effective Date:

10/01/2014

Rate	Fringe	Total	Total	Total
35.63	12.89	48.52	0.00	0.00

Lead Dredgerman, Operator, Leverman

Licensed Tug Operator (over 1000 HP)

Effective Date:

10/01/2014

Rate	Fringe	Total	Total	Total
30.81	12.50	43.31	0.00	0.00

Derrick Operator, Spider/Spill Barge Operator

Engineer, Electrician, Chief Welder, Chief Mate

Fill Placer, Operator II

Licensed Boat Operator

Maintenance Engineer

Effective Date:

10/01/2014

Rate	Fringe	Total	Total	Total
29.01	12.36	41.37	0.00	0.00

Certified Welder

Effective Date:

10/01/2014

Rate	Fringe	Total	Total	Total
28.22	12.00	40.22	0.00	0.00

Mate, Drag Barge Operator, Steward, Assistant Fill Placer

Welder

TERRITORY
ENTIRE STATE

NEW JERSEY DEPARTMENT OF LABOR AND WORKFORCE DEVELOPMENT
PREVAILING WAGE RATE DETERMINATION

OPERATING ENGINEERS MARINE-DREDGING Rates Expiration Date : 09/30/2015

Effective Date:	10/01/2014				
	Rate	Fringe	Total	Total	Total
	27.30	11.92	39.22	0.00	0.00
Boat Operator					

Effective Date:	10/01/2014				
	Rate	Fringe	Total	Total	Total
	22.68	11.25	33.93	0.00	0.00
Shoreman, Deckhand, Rodman, Scowman					

TERRITORY
ENTIRE STATE

NEW JERSEY DEPARTMENT OF LABOR AND WORKFORCE DEVELOPMENT
PREVAILING WAGE RATE DETERMINATION

MICROSURFACING/SLURRY SEAL Rates Expiration Date : 02/28/2018

THESE RATES APPLY IN THE FOLLOWING COUNTIES ONLY:

Atlantic, Burlington, Camden, Cape May, Cumberland, Gloucester, Mercer, Ocean, Salem

IN ALL OTHER COUNTIES use the Heavy and General Laborers - North "Slurry Seal Laborer" rates.

SHIFT DIFFERENTIALS:

Any shift starting at 3:30 PM or later shall receive an additional \$0.35/hr

OVERTIME:

Hours in excess of 8 per day or 40 per week shall be paid at time and one-half the hourly rate. All hours on holidays shall be paid at double the hourly rate.

RECOGNIZED HOLIDAYS: New Year's Day, Washington's Birthday, Memorial Day, July 4th, Labor Day, Presidential Election Day, Veterans' Day, Thanksgiving Day, Christmas Day.

Effective Date:	03/01/2015			03/01/2016	03/01/2017
	Rate	Fringe	Total	Total	Total
	35.00	19.69	54.69	56.10	57.77

Foreman

Effective Date:	03/01/2015			03/01/2016	03/01/2017
	Rate	Fringe	Total	Total	Total
	32.40	19.69	52.09	53.45	55.07

Box man

Effective Date:	03/01/2015			03/01/2016	03/01/2017
	Rate	Fringe	Total	Total	Total
	30.40	19.69	50.09	51.45	53.02

Microsurface/Slurry Preparation

Effective Date:	03/01/2015			03/01/2016	03/01/2017
	Rate	Fringe	Total	Total	Total
	30.40	19.69	50.09	51.45	53.02

Squeegee man

Effective Date:	03/01/2015			03/01/2016	03/01/2017
	Rate	Fringe	Total	Total	Total
	28.90	19.69	48.59	49.95	51.57

Cleaner, Taper

TERRITORY
ENTIRE STATE

NEW JERSEY DEPARTMENT OF LABOR AND WORKFORCE DEVELOPMENT
PREVAILING WAGE RATE DETERMINATION

ASPHALT LABORERS - SOUTH **Rates Expiration Date : 02/28/2015**

"THESE RATES APPLY IN THE FOLLOWING COUNTIES ONLY: Atlantic, Burlington, Camden, Cape May, Cumberland, Gloucester, Mercer, Ocean, Salem

{For apprentice rates refer to "Laborer - Heavy & General" apprentice rates in any county rate package}

The regular workday consists of 8 hours, starting at 7:00 AM or 8:00 AM.

SHIFT DIFFERENTIALS:

- Shifts must start at 3:00 PM, 4:00 PM, 12:00 AM, or 1:00 AM, to be considered shift work, except when the project owner mandates special hours of work in the job specifications, in which case those hours may be considered shift work.
- When such hours are mandated by the project owner, a shift that begins before midnight on Friday and ends on Saturday morning, or that begins at or after 8:00 PM on Sunday and ends on Monday morning may be paid at the shift differential rate.
- Shifts shall receive an additional \$2.50 per hour.

OVERTIME:

- Hours in excess of 8 per day, Monday through Friday, or outside of the regular workday that are not shift work, and all hours on Saturdays, shall be paid at time and one-half the hourly rate. All hours on Sundays and holidays shall be paid at double the hourly rate.
- Four 10-hour days may be worked, Monday through Thursday, at straight time, with Friday used as a make-up day for a day lost to inclement weather. If Friday is not a make-up day, all hours on Friday shall be paid at time and one-half the hourly rate.

RECOGNIZED HOLIDAYS: New Year's Day, Presidents' Day, Memorial Day, July 4th, Labor Day, Presidential Election Day, Veterans' Day, Thanksgiving Day, Christmas Day. Sunday holidays observed the following Monday. Veterans Day may be substituted for the day after Thanksgiving. However, in the trading of Veterans Day for the day after Thanksgiving, if overtime is worked on Veterans Day, it shall be paid at double the hourly rate.

Hazardous Waste Work:

- where Level A, B, or C protection is required: + \$3.00/hr
- other Hazardous Waste site: + \$1.00/hr

Effective Date:	03/01/2014				
	Rate	Fringe	Total	Total	Total
	37.50	25.28	62.78	0.00	0.00

Paving Foreman

Effective Date:	03/01/2014				
	Rate	Fringe	Total	Total	Total
	36.05	25.28	61.33	0.00	0.00

Head Raker

Effective Date:	03/01/2014				
	Rate	Fringe	Total	Total	Total
	35.90	25.28	61.18	0.00	0.00

Raker, Screedman, Luteman

Effective Date:	03/01/2014				
	Rate	Fringe	Total	Total	Total
	35.65	25.28	60.93	0.00	0.00

Tampers, Smoothers, Kettlemen,
Painters, Shovelers, Roller Boys

TERRITORY
ENTIRE STATE

NEW JERSEY DEPARTMENT OF LABOR AND WORKFORCE DEVELOPMENT
PREVAILING WAGE RATE DETERMINATION

ASPHALT LABORERS - SOUTH Rates Expiration Date : 02/28/2015

Effective Date:	03/01/2014				
	Rate	Fringe	Total	Total	Total
	36.75	25.28	62.03	0.00	0.00
Milling Controller					

Effective Date:	03/01/2014				
	Rate	Fringe	Total	Total	Total
	35.95	25.28	61.23	0.00	0.00
Traffic Control Coordinator					

TERRITORY
ENTIRE STATE

NEW JERSEY DEPARTMENT OF LABOR AND WORKFORCE DEVELOPMENT
PREVAILING WAGE RATE DETERMINATION

TEST BORING PRELIMINARY TO CONSTRUCTION-NORTH **Rates Expiration Date : 10/16/2015**

THESE RATES APPLY IN THE FOLLOWING COUNTIES ONLY:
Bergen, Essex, Hudson, Middlesex, Morris, Passaic, Somerset, Union

SHIFT DIFFERENTIAL:
Employees on a shift other than between the hours of 8:00 AM and 5:00 PM shall receive an additional \$1.00 per hour.

OVERTIME:
Hours in excess of 8 per day, Monday through Friday, and all hours on Saturday shall be paid at time and one-half the regular rate. All hours on Sundays and holidays shall be paid at double the regular rate.

RECOGNIZED HOLIDAYS: New Year's Day, Memorial Day, July 4th, Labor Day, Thanksgiving Day, and Christmas Day. Sunday holidays observed the following Monday.

Hazardous Waste Pay (for Levels A, B, and C): an additional 10% of the hourly rate, per hour.

A newly hired Helper with no experience in the industry shall be paid as follows:

- 1st year on the job - 70% of Helper wage rate
- 2nd year on the job - 80% of Helper wage rate
- 3rd year on the job - 90% of Helper wage rate
- All helpers receive full fringe benefit rate.

Effective Date:	11/13/2014				
	Rate	Fringe	Total	Total	Total
	29.44	22.89	52.33	0.00	0.00
Helper (4th year helper)					

Effective Date:	11/13/2014				
	Rate	Fringe	Total	Total	Total
	36.82	22.89	59.71	0.00	0.00
Driller					

Effective Date:	11/13/2014				
	Rate	Fringe	Total	Total	Total
	42.22	22.89	65.11	0.00	0.00
Foreman					

**TERRITORY
ENTIRE STATE**

**NEW JERSEY DEPARTMENT OF LABOR AND WORKFORCE DEVELOPMENT
PREVAILING WAGE RATE DETERMINATION**

HEAVY & GENERAL LABORERS - NORTH Rates Expiration Date : 02/28/2018

THESE RATES APPLY IN THE FOLLOWING COUNTIES ONLY:

Bergen, Essex, Hudson, Hunterdon, Middlesex, Monmouth, Morris, Passaic, Somerset, Sussex, Union, Warren

{For apprentice rates refer to "Laborer - Heavy & General" apprentice rates in any county rate package}

The regular workday consists of 8 hours, starting at 7:00 AM or 8:00 AM.

SHIFT DIFFERENTIALS:

- Shifts must start at 3:00 PM, 4:00 PM, 12:00 AM, or 1:00 AM, to be considered shift work, except when the project owner mandates special hours of work in the job specifications, in which case those hours may be considered shift work.
- When such hours are mandated by the project owner, a shift that begins before midnight on Friday and ends on Saturday morning, or that begins at or after 8:00 PM on Sunday and ends on Monday morning may be paid at the shift differential rate.
- Shifts shall receive an additional \$2.50 per hour.

OVERTIME:

- Hours in excess of 8 per day, Monday through Friday, or outside of the regular workday that are not shift work, and all hours on Saturdays, shall be paid at time and one-half the hourly rate. All hours on Sundays and holidays shall be paid at double the hourly rate.
- Four 10-hour days may be worked, Monday through Thursday, at straight time, with Friday used as a make-up day for a day lost to inclement weather. If Friday is not a make-up day, all hours on Friday shall be paid at time and one-half the hourly rate.

RECOGNIZED HOLIDAYS: New Year's Day, Presidents' Day, Memorial Day, July 4th, Labor Day, Presidential Election Day, Veterans' Day, Thanksgiving Day, Christmas Day. Sunday holidays observed the following Monday. Veterans Day may be substituted for the day after Thanksgiving. However, in the trading of Veterans Day for the day after Thanksgiving, if overtime is worked on Veterans Day, it shall be paid at double the hourly rate.

Hazardous Waste Work:

- where Level A, B, or C protection is required: + \$3.00/hr
- other Hazardous Waste site: + \$1.00/hr

Effective Date:	03/11/2015			09/01/2015	03/01/2016
	Rate	Fringe	Total	Total	Total
	35.75	26.28	62.03	62.78	64.28

"D" Rate:

basic, landscape, asphalt, slurry seal, or railroad track laborer; utility meter installer; traffic director/flagman; salamander tender; pitman; dumpman; rakers or tampers on cold patch work; wrappers or coatlers of pipe; waterproofer; timberman; wagon drill or drill master helper; powder carrier; magazine tender; signal man; power buggy operator; tree cutter; operator of basic power tools

Effective Date:	03/11/2015			09/01/2015	03/01/2016
	Rate	Fringe	Total	Total	Total
	36.45	26.28	62.73	63.48	64.98

"C" Rate:

pipe layer; laser man; conduit or duct line layer; operator of jack hammer, chipping hammer, pavement breaker, concrete cutter, asphalt cutter, sheet hammer, or walk-behind saw cutter; sandblaster; acetylene cutting or burning; wagon drill, directional drill, or hydraulic drill operator; drill master; core driller; traffic control coordinator; asphalt raker or lute man

TERRITORY
ENTIRE STATE

NEW JERSEY DEPARTMENT OF LABOR AND WORKFORCE DEVELOPMENT
PREVAILING WAGE RATE DETERMINATION

HEAVY & GENERAL LABORERS - NORTH **Rates Expiration Date : 02/28/2018**

Effective Date:	03/11/2015			09/01/2015	03/01/2016
	Rate	Fringe	Total	Total	Total
	36.70	26.28	62.98	63.73	65.23

"B" Rate:
concrete finisher; setter of brick or stone pavers; stone cutter; form setter; manhole, catch basin, or inlet builder; asphalt screedman;
rammer; hardscaping; gunite nozzle man

Effective Date:	03/11/2015			09/01/2015	03/01/2016
	Rate	Fringe	Total	Total	Total
	40.25	26.28	66.53	67.28	68.78

"A" Rate:
blaster

Effective Date:	03/11/2015			09/01/2015	03/01/2016
	Rate	Fringe	Total	Total	Total
	38.00	26.28	64.28	65.03	66.53

"FOREMAN" Rate:
labor foreman, asphalt foreman, drill foreman, pipe foreman, grade foreman, finisher foreman, concrete foreman

Effective Date:	03/11/2015			09/01/2015	03/01/2016
	Rate	Fringe	Total	Total	Total
	39.00	26.28	65.28	66.03	67.53

"GENERAL FOREMAN" Rate

TERRITORY
ENTIRE STATE

NEW JERSEY DEPARTMENT OF LABOR AND WORKFORCE DEVELOPMENT
PREVAILING WAGE RATE DETERMINATION

HEAVY & GENERAL LABORERS - SOUTH **Rates Expiration Date : 02/28/2015**

THESE RATES APPLY IN THE FOLLOWING COUNTIES ONLY:

Atlantic, Burlington, Camden, Cape May, Cumberland, Gloucester, Mercer, Ocean, Salem

{For apprentice rates refer to "Laborer - Heavy & General" apprentice rates in any county rate package}

The regular workday consists of 8 hours, starting at 7:00 AM or 8:00 AM.

SHIFT DIFFERENTIALS:

- Shifts must start at 3:00 PM, 4:00 PM, 12:00 AM, or 1:00 AM, to be considered shift work, except when the project owner mandates special hours of work in the job specifications, in which case those hours may be considered shift work.
- When such hours are mandated by the project owner, a shift that begins before midnight on Friday and ends on Saturday morning, or that begins at or after 8:00 PM on Sunday and ends on Monday morning may be paid at the shift differential rate.
- Shifts shall receive an additional \$2.50 per hour.

OVERTIME:

- Hours in excess of 8 per day, Monday through Friday, or outside of the regular workday that are not shift work, and all hours on Saturdays, shall be paid at time and one-half the hourly rate. All hours on Sundays and holidays shall be paid at double the hourly rate.
- Four 10-hour days may be worked, Monday through Thursday, at straight time, with Friday used as a make-up day for a day lost to inclement weather. If Friday is not a make-up day, all hours on Friday shall be paid at time and one-half the hourly rate.

RECOGNIZED HOLIDAYS: New Year's Day, Presidents' Day, Memorial Day, July 4th, Labor Day, Presidential Election Day, Veterans' Day, Thanksgiving Day, Christmas Day. Sunday holidays observed the following Monday. Veterans Day may be substituted for the day after Thanksgiving. However, in the trading of Veterans Day for the day after Thanksgiving, if overtime is worked on Veterans Day, it shall be paid at double the hourly rate.

Hazardous Waste Work:

- where Level A, B, or C protection is required: + \$3.00/hr
- other Hazardous Waste site: + \$1.00/hr

Effective Date:

03/01/2014

Rate	Fringe	Total	Total	Total
35.25	25.28	60.53	0.00	0.00

basic, landscape, or railroad track laborer; utility meter installer; traffic director/flagman; salamander tender; pitman; dumpman; rakers or tampers on cold patch work; wrappers or coaters of pipe; waterproofers
tree cutter

Effective Date:

03/01/2014

Rate	Fringe	Total	Total	Total
35.25	25.28	60.53	0.00	0.00

wagon drill or drill master helper; powder carrier; magazine tender; signal man

**TERRITORY
ENTIRE STATE**

**NEW JERSEY DEPARTMENT OF LABOR AND WORKFORCE DEVELOPMENT
PREVAILING WAGE RATE DETERMINATION**

HEAVY & GENERAL LABORERS - SOUTH Rates Expiration Date : 02/28/2015

Effective Date:	03/01/2014				
	Rate	Fringe	Total	Total	Total
	35.95	25.28	61.23	0.00	0.00

pipe layer; laser man; conduit or duct line layer; operator of jack hammer, chipping hammer, pavement breaker, concrete cutter, asphalt cutter, sheet hammer, or walk-behind saw cutter; sandblaster; acetylene cutting or burning

Effective Date:	03/01/2014				
	Rate	Fringe	Total	Total	Total
	35.25	25.28	60.53	0.00	0.00

timberman; wagon or directional drill operator; drill master

Effective Date:	03/01/2014				
	Rate	Fringe	Total	Total	Total
	39.75	25.28	65.03	0.00	0.00

blaster

Effective Date:	03/01/2014				
	Rate	Fringe	Total	Total	Total
	37.50	25.28	62.78	0.00	0.00

labor foreman, drill foreman, pipe foreman, grade foreman, finisher foreman, concrete foreman

Effective Date:	03/01/2014				
	Rate	Fringe	Total	Total	Total
	38.50	25.28	63.78	0.00	0.00

general foreman

Effective Date:	03/01/2014				
	Rate	Fringe	Total	Total	Total
	36.20	25.28	61.48	0.00	0.00

concrete finisher; setter of brick or stone pavers; stone cutter; form setter; manhole, catch basin, or inlet builder; rammer; gunite nozzle man

NEW JERSEY DEPARTMENT OF LABOR AND WORKFORCE DEVELOPMENT
PREVAILING WAGE RATE DETERMINATION

PIPELINE - MAINLINE TRANSMISSION Rates Expiration Date : 05/31/2015

These rates apply to the following: welding on Transportation Mainline pipe lines (cross-country pipe lines, or any segments thereof, transporting coal, gas, oil, water or other transportable materials, vapors or liquids, including portions of such pipe lines within private property boundaries up to the final metering station or connection - the point where a valve, consumer connection, or town border station divides mainline transmission lines or higher pressure lateral and branch lines from lower pressure distribution systems).

PER DIEM PAYMENT:

In addition to the total wage rate paid for each craft, the following per diem (per day) amounts must also be paid - Pipeline Journeyman: \$42.50; Pipeline Journeyman Welder: \$102.50; and Pipeline Helper: \$42.50. Note: in order to receive the per diem payment an employee must work a minimum of 8 hours in a 24 hour period.

NOTES:

- Journeymen employed as "stringer bead" welders and journeymen who are regularly employed as "hot-pass" welders shall receive \$1.00 per hour more than other journeymen.
- Welders running "stringer bead" or "hot-pass" on "cutouts" or "tie-ins" on a production basis shall be paid \$1.00 per hour above the journeymen rate.
- Whenever a welder helper is employed using a power buffer or power grinder immediately behind the stringer bead and/or hot-pass welders, and the pipe gang is set on a production basis, the helper shall be paid \$2.00 per hour above the helper rate.
- If back welding is performed inside a pipe under either or both of the following conditions, the welder engaged in the welding will receive \$3.00 per hour above the regular rate for the job only for the days on which such back welding is performed:
 - The employer elects, as a regular procedure, to back weld each line-up. This condition is not intended to apply to occasional back welding performed by the pipe gang to repair a bead, to rectify a "high-lo" condition or wall thickness, etc.
 - A welder is required to back weld a completed weld behind the firing line.
- If the welder helper is required to go inside the pipe for the purpose of brushing, buffing and grinding the weld, they shall receive a wage rate \$1.00 per hour above the regular helper rate for the days involved.
- Welders working on "hot work" shall be paid \$2.00 per hour above the regular rate for each day engaged in such work. "Hot work" is defined as work on lines in service where there is the danger of fire or explosion.

The regular workday shall be 8 hours, between 8:00 AM and 4:30 PM.

OVERTIME:

Hours in excess of 8 per day, and all hours on Sundays shall be paid at time and one-half the regular rate, inclusive of benefits. All hours on holidays shall be paid at double the regular rate, inclusive of benefits.

RECOGNIZED HOLIDAYS: New Year's Day, July 4th, Labor Day, Thanksgiving Day, and Christmas Day. Sunday holidays observed the following Monday.

Effective Date:

07/22/2014

Rate	Fringe	Total	Total	Total
52.50	24.01	76.51	0.00	0.00

Pipeline Journeyman Welder

TERRITORY
ENTIRE STATE

NEW JERSEY DEPARTMENT OF LABOR AND WORKFORCE DEVELOPMENT
PREVAILING WAGE RATE DETERMINATION

PIPELINE - MAINLINE TRANSMISSION Rates Expiration Date : 05/31/2015

Effective Date:	07/22/2014				
	Rate	Fringe	Total	Total	Total
	52.50	24.01	76.51	0.00	0.00
Pipeline Journeyman					

Effective Date:	07/22/2014				
	Rate	Fringe	Total	Total	Total
	31.55	17.22	48.77	0.00	0.00
Pipeline Helper					

NEW JERSEY DEPARTMENT OF LABOR AND WORKFORCE DEVELOPMENT
PREVAILING WAGE RATE DETERMINATION

PIPELINE - GAS DISTRIBUTION **Rates Expiration Date : 10/31/2015**

These rates apply to the following: welding on gas line distribution systems (that portion of the gas distribution system placed in streets, roads, subways, tunnels, viaducts, highways and easements which serves the users of gas).

SHIFT DIFFERENTIALS:

An "irregular" shift may start any time from 5:00 PM to 12:00 AM, Monday through Friday, and shall receive an additional 15% of the regular rate per hour, inclusive of benefits.

OVERTIME:

Hours in excess of forty per week, and all hours on Saturdays shall be paid at time and one-half the regular rate, inclusive of benefits. All hours on Sundays and holidays shall be paid at double the regular rate, inclusive of benefits.

RECOGNIZED HOLIDAYS: New Year's Day, Memorial Day, July 4th, Labor Day, Thanksgiving Day, and Christmas Day. Sunday holidays observed the following Monday.

Effective Date:

10/30/2014

Rate	Fringe	Total	Total	Total
54.13	20.90	75.03	0.00	0.00

Pipeline Journeyman Welder

Effective Date:

10/30/2014

Rate	Fringe	Total	Total	Total
54.13	20.90	75.03	0.00	0.00

Pipeline Journeyman

Effective Date:

10/30/2014

Rate	Fringe	Total	Total	Total
35.07	15.09	50.16	0.00	0.00

Pipeline Helper

**NEW JERSEY DEPARTMENT OF LABOR AND WORKFORCE DEVELOPMENT
PREVAILING WAGE RATE DETERMINATION**

ASPHALT LABORERS- NORTH Rates Expiration Date : 02/28/2015

THESE RATES APPLY IN THE FOLLOWING COUNTIES ONLY:

Bergen, Essex, Hudson, Hunterdon, Middlesex, Monmouth, Morris, Passaic, Somerset, Sussex, Union, Warren

{For apprentice rates refer to "Laborer - Heavy & General" apprentice rates in any county rate package}

The regular workday consists of 8 hours, starting at 7:00 AM or 8:00 AM.

SHIFT DIFFERENTIALS:

- Shifts must start at 3:00 PM, 4:00 PM, 12:00 AM, or 1:00 AM, to be considered shift work, except when the project owner mandates special hours of work in the job specifications, in which case those hours may be considered shift work.
- When such hours are mandated by the project owner, a shift that begins before midnight on Friday and ends on Saturday morning, or that begins at or after 8:00 PM on Sunday and ends on Monday morning may be paid at the shift differential rate.
- Shifts shall receive an additional \$2.50 per hour.

OVERTIME:

- Hours in excess of 8 per day, Monday through Friday, or outside of the regular workday that are not shift work, and all hours on Saturdays, shall be paid at time and one-half the hourly rate. All hours on Sundays and holidays shall be paid at double the hourly rate.
- Four 10-hour days may be worked, Monday through Thursday, at straight time, with Friday used as a make-up day for a day lost to inclement weather. If Friday is not a make-up day, all hours on Friday shall be paid at time and one-half the hourly rate.

RECOGNIZED HOLIDAYS: New Year's Day, Presidents' Day, Memorial Day, July 4th, Labor Day, Presidential Election Day, Veterans' Day, Thanksgiving Day, Christmas Day. Sunday holidays observed the following Monday. Veterans Day may be substituted for the day after Thanksgiving. However, in the trading of Veterans Day for the day after Thanksgiving, if overtime is worked on Veterans Day, it shall be paid at double the hourly rate.

Hazardous Waste Work:

- where Level A, B, or C protection is required: + \$3.00/hr
- other Hazardous Waste site: + \$1.00/hr

Effective Date:	03/01/2014				
	Rate	Fringe	Total	Total	Total
	37.50	25.28	62.78	0.00	0.00
Asphalt Foreman					

Effective Date:	03/01/2014				
	Rate	Fringe	Total	Total	Total
	36.20	25.28	61.48	0.00	0.00
Asphalt Screedman					

Effective Date:	03/01/2014				
	Rate	Fringe	Total	Total	Total
	35.95	25.28	61.23	0.00	0.00
Asphalt Raker or Lute Man					

Effective Date:	03/01/2014				
	Rate	Fringe	Total	Total	Total
	35.25	25.28	60.53	0.00	0.00
Asphalt Laborer					

TERRITORY
ENTIRE STATE

NEW JERSEY DEPARTMENT OF LABOR AND WORKFORCE DEVELOPMENT
PREVAILING WAGE RATE DETERMINATION

ELECTRICIAN- UTILITY WORK (NORTH) **Rates Expiration Date : 12/03/2017**

Electrician-Utility Work (North)

(For apprentice rates refer to Electrician-Utility Work (North) in any county rate package).

These rates apply to work contracted for by the following utility companies:

Public Service Electric & Gas Co. of NJ, GPU Energy, Borough of Madison Electric Department, Sussex Rural Electric Cooperative, Rockland Utilities, and Butler Municipal Electric Co.

These rates do not apply to work on substations or switching stations.

For Utility work contracted for by a utility company other than those listed above or those listed under "Electrician-Utility Work (South)", see the "Outside Commercial Rates" for the county in which the jobsite is located.

* FOR OUTSIDE COMMERCIAL RATES PLEASE SEE COUNTY RATES

The regular workday is 8 hours, between 6:00 AM and 6:00 PM.

FOR EMERGENCY WORK ONLY: (emergency work is defined as work caused by storm, catastrophe, act of god, and circumstances beyond the control of the employer)-all hours of work shall be paid at double the hourly rate.

SHIFT DIFFERENTIALS:

Shift work must run for a minimum of 5 consecutive workdays.

2nd shift (between the hours of 4:30 PM and 1:00 AM): 8 hours of work + 17.3% of the regular rate, inclusive of benefits.

3rd shift (between the hours of 12:30 AM and 9:00 AM): 8 hours of work + 31.4% of the regular rate per hour, inclusive of benefits.

OVERTIME:

Hours in excess of 8 per day, or before or after the regular workday Monday through Friday, that is not shift work, and all hours on Saturday shall be paid at time and one-half the regular rate, inclusive of benefits. All hours on Sundays and holidays shall be paid at double the hourly rate, inclusive of benefits.

Four 10-hour days may worked, at straight time, between 7:00 AM and 6:30 PM, Monday through Thursday.

RECOGNIZED HOLIDAYS:

New Year's Day, Presidents' Day, Memorial Day, July 4th, Labor Day, Presidential Election Day, Veterans' Day, Thanksgiving Day and Christmas Day, or day on which they are legally observed.

Effective Date:	12/01/2014			11/29/2015	12/04/2016
	Rate	Fringe	Total	Total	Total
Chief Lineman	48.93	32.78	81.71	84.36	87.27

Effective Date:	12/01/2014			11/29/2015	12/04/2016
	Rate	Fringe	Total	Total	Total
Journeyman Lineman	46.16	30.92	77.08	79.59	82.34

Effective Date:	12/01/2014			11/29/2015	12/04/2016
	Rate	Fringe	Total	Total	Total
Special License Operator	46.16	30.92	77.08	79.59	82.34

NEW JERSEY DEPARTMENT OF LABOR AND WORKFORCE DEVELOPMENT
PREVAILING WAGE RATE DETERMINATION

ELECTRICIAN- UTILITY WORK (NORTH) **Rates Expiration Date : 12/03/2017**

Effective Date:	12/01/2014			11/29/2015	12/04/2016
	Rate	Fringe	Total	Total	Total
	45.70	30.61	76.31	78.79	81.51

Transit Man

Effective Date:	12/01/2014			11/29/2015	12/04/2016
	Rate	Fringe	Total	Total	Total
	44.32	29.69	74.01	76.40	79.04

Line Equipment Operator

Effective Date:	12/01/2014			11/29/2015	12/04/2016
	Rate	Fringe	Total	Total	Total
	38.78	25.98	64.76	66.85	69.17

Dynamite Man

Effective Date:	12/01/2014			11/29/2015	12/04/2016
	Rate	Fringe	Total	Total	Total
	54.47	36.49	90.96	93.92	97.16

General Foreman

Effective Date:	12/01/2014			11/29/2015	12/04/2016
	Rate	Fringe	Total	Total	Total
	53.09	35.57	88.66	91.53	94.68

Assistant General Foreman

Effective Date:	12/01/2014			11/29/2015	12/04/2016
	Rate	Fringe	Total	Total	Total
	51.70	34.63	86.33	89.14	92.21

Line Foreman

Effective Date:	12/01/2014			11/29/2015	12/04/2016
	Rate	Fringe	Total	Total	Total
	37.39	25.05	62.44	64.46	66.69

Straight Light Mechanical Leader

Effective Date:	12/01/2014			11/29/2015	12/04/2016
	Rate	Fringe	Total	Total	Total
	35.54	23.81	59.35	61.28	63.40

Groundman Winch Operator

NEW JERSEY DEPARTMENT OF LABOR AND WORKFORCE DEVELOPMENT
PREVAILING WAGE RATE DETERMINATION

ELECTRICIAN- UTILITY WORK (NORTH) **Rates Expiration Date : 12/03/2017**

Effective Date:	12/01/2014			11/29/2015	12/04/2016
	Rate	Fringe	Total	Total	Total
	35.54	23.81	59.35	61.28	63.40

Groundman Truck Operator

Effective Date:	12/01/2014			11/29/2015	12/04/2016
	Rate	Fringe	Total	Total	Total
	35.08	23.50	58.58	60.48	62.57

Straight Light Mechanic

Effective Date:	12/01/2014			11/29/2015	12/04/2016
	Rate	Fringe	Total	Total	Total
	35.08	23.50	58.58	60.48	62.57

Line Equipment Mechanic

Effective Date:	12/01/2014			11/29/2015	12/04/2016
	Rate	Fringe	Total	Total	Total
	30.01	20.10	50.11	51.73	53.52

Groundman 2nd Year

Effective Date:	12/01/2014			11/29/2015	12/04/2016
	Rate	Fringe	Total	Total	Total
	27.70	18.55	46.25	47.76	49.39

Groundman 1st Year

Effective Date:	12/01/2014			11/29/2015	12/04/2016
	Rate	Fringe	Total	Total	Total
	45.70	30.61	76.31	78.79	81.51

Line Equipment Foreman

TERRITORY
ENTIRE STATE

NEW JERSEY DEPARTMENT OF LABOR AND WORKFORCE DEVELOPMENT
PREVAILING WAGE RATE DETERMINATION

ELECTRICIAN- UTILITY WORK (SOUTH) **Rates Expiration Date : 11/30/2015**

Electrician-Utility Work (South)

(For apprentice rates refer to Electrician-Utility Work (South) in any county rate package).

These rates apply to work contracted for by the following utility company:

Atlantic City Electric.

These rates do not apply to work on substations or switching stations.

For utility work contracted for by a utility company other than the one listed above or those listed under "Electrician-Utility Work (North)", see the "Outside Commercial Rates" for the county in which the jobsite is located.

* FOR OUTSIDE COMMERCIAL RATES PLEASE SEE COUNTY RATES

The regular workday is 8 hours, between 7:00 AM and 4:30 PM.

FOR EMERGENCY WORK ONLY: (emergency work is defined as work caused by storm, catastrophe, act of god, and circumstances beyond the control of the employer)- all hours of work shall be paid at double the hourly rate.

SHIFT DIFFERENTIALS:

Shift work must run for a minimum of 5 consecutive workdays.

When two (2) or three (3) shifts are worked the following shall apply:

1st shift (between the hours of 8:00 AM and 4:30 PM)

2nd shift (between the hours of 4:30 PM and 12:30 AM): 8 hours of work + 10% of the regular rate of pay for 7.5 hours worked.

3rd shift (between the hours of 12:30 AM and 8:00 AM): 8 hours of work + 15% of the regular rate of pay for 7 hours worked.

OVERTIME:

Hours in excess of 8 per day, or before or after the regular workday Monday through Friday, that is not shift work, and all hours on Saturday shall be paid at time and one-half the regular rate. All hours on Sundays and Holidays shall be paid double the hourly rate.

Four 10-hour days may be worked, at straight time, between 6:00 AM and 6:00 PM, Monday through Thursday with Friday used as a make-up day.

RECOGNIZED HOLIDAYS:

New Year's Day, Memorial Day, July 4th, Labor Day, Veterans' Day, Thanksgiving Day and Christmas Day or on days celebrated.

WORKING RULES:

There shall be a Foreman in charge of each work crew. No crews are to exceed twelve (12) men, including Foremen.

There shall be a General Foreman designated for transmission work when three (3) or more crews are on the same job and for distribution work where there are more than twenty (20) employees on site.

A small job crew shall consist of five (5) or less employees, one (1) of the Journeyman Linemen in the crew shall be designated as a Small Job Foreman.

Work performed from ladders and/or mechanical lift equipment shall be the work of Linemen and/or Apprentices.

On new construction, fitting and framing poles, towers or structures may be done by Journeymen and/or Apprentices.

Groundmen may assist, but may not perform any work which would be performed by Linemen if assembled in the air.

There shall be a Journeyman Lineman in each pole setting, erection, grounding, wire and cable-pulling crew of more than three (3) men.

NEW JERSEY DEPARTMENT OF LABOR AND WORKFORCE DEVELOPMENT
PREVAILING WAGE RATE DETERMINATION

ELECTRICIAN- UTILITY WORK (SOUTH) **Rates Expiration Date : 11/30/2015**

Effective Date:	12/04/2014				
	Rate	Fringe	Total	Total	Total
	56.05	41.02	97.07	0.00	0.00
General Foreman					

Effective Date:	12/04/2014				
	Rate	Fringe	Total	Total	Total
	49.92	37.54	87.46	0.00	0.00
Foreman					

Effective Date:	12/04/2014				
	Rate	Fringe	Total	Total	Total
	47.29	36.06	83.35	0.00	0.00
Small Job Foreman					

Effective Date:	12/04/2014				
	Rate	Fringe	Total	Total	Total
	43.79	34.05	77.84	0.00	0.00
Heavy Equipment Operator					

Effective Date:	12/04/2014				
	Rate	Fringe	Total	Total	Total
	43.79	34.05	77.84	0.00	0.00
Cable Splicer					

Effective Date:	12/04/2014				
	Rate	Fringe	Total	Total	Total
	43.79	34.05	77.84	0.00	0.00
Journeyman Lineman					

Effective Date:	12/04/2014				
	Rate	Fringe	Total	Total	Total
	43.79	34.05	77.84	0.00	0.00
Journeyman Welder					

Effective Date:	12/04/2014				
	Rate	Fringe	Total	Total	Total
	43.79	34.05	77.84	0.00	0.00
Journeyman Painter					

NEW JERSEY DEPARTMENT OF LABOR AND WORKFORCE DEVELOPMENT
PREVAILING WAGE RATE DETERMINATION

ELECTRICIAN- UTILITY WORK (SOUTH) **Rates Expiration Date : 11/30/2015**

Effective Date:	12/04/2014				
	Rate	Fringe	Total	Total	Total
	35.03	29.07	64.10	0.00	0.00

Light Equipment Operator

Effective Date:	12/04/2014				
	Rate	Fringe	Total	Total	Total
	30.65	26.57	57.22	0.00	0.00

Groundman Truck Driver

Effective Date:	12/04/2014				
	Rate	Fringe	Total	Total	Total
	28.46	25.33	53.79	0.00	0.00

Groundman 3rd Year

Effective Date:	12/04/2014				
	Rate	Fringe	Total	Total	Total
	26.27	24.08	50.35	0.00	0.00

Groundman 2nd Year

Effective Date:	12/04/2014				
	Rate	Fringe	Total	Total	Total
	24.08	22.84	46.92	0.00	0.00

Groundman 1st Year

Effective Date:	12/04/2014				
	Rate	Fringe	Total	Total	Total
	19.27	20.09	39.36	0.00	0.00

Flagman

TERRITORY
ENTIRE STATE

NEW JERSEY DEPARTMENT OF LABOR AND WORKFORCE DEVELOPMENT
PREVAILING WAGE RATE DETERMINATION

HEAVY & GENERAL LABORERS- NEW TRANS HUDSON TUNNELS **Rates Expiration Date : 02/28/2015**

THESE RATES APPLY TO CONSTRUCTION ON NEW TRANS HUDSON TUNNELS ONLY

{For apprentice rates refer to "Laborer - Heavy & General" apprentice rates in any county rate package}

The regular workday consists of 8 hours, starting at 7:00 AM or 8:00 AM.

SHIFT DIFFERENTIALS:

- Shifts must start at 3:00 PM, 4:00 PM, 12:00 AM, or 1:00 AM, to be considered shift work, except when the project owner mandates special hours of work in the job specifications, in which case those hours may be considered shift work.
- When such hours are mandated by the project owner, a shift that begins before midnight on Friday and ends on Saturday morning, or that begins at or after 8:00 PM on Sunday and ends on Monday morning may be paid at the shift differential rate.
- Shifts shall receive an additional \$2.50 per hour.

OVERTIME:

- Hours in excess of 8 per day, Monday through Friday, or outside of the regular workday that are not shift work, and all hours on Saturdays, shall be paid at time and one-half the hourly rate. All hours on Sundays and holidays shall be paid at double the hourly rate.
- Four 10-hour days may be worked, Monday through Thursday, at straight time, with Friday used as a make-up day for a day lost to inclement weather. If Friday is not a make-up day, all hours on Friday shall be paid at time and one-half the hourly rate.

RECOGNIZED HOLIDAYS: New Year's Day, Presidents' Day, Memorial Day, July 4th, Labor Day, Presidential Election Day, Veterans' Day, Thanksgiving Day, Christmas Day. Sunday holidays observed the following Monday. Veterans Day may be substituted for the day after Thanksgiving. However, in the trading of Veterans Day for the day after Thanksgiving, if overtime is worked on Veterans Day, it shall be paid at double the hourly rate.

Hazardous Waste Work:

- where Level A, B, or C protection is required: + \$3.00/hr
- other Hazardous Waste site: + \$1.00/hr

Effective Date:

03/01/2014

Rate	Fringe	Total	Total	Total
57.00	25.28	82.28	0.00	0.00

Walking Boss & Superintendent

Effective Date:

03/01/2014

Rate	Fringe	Total	Total	Total
56.55	25.28	81.83	0.00	0.00

Heading Foreman, Shaft Foreman, Rod Foreman, Electrical Foreman, Rigging Foreman

Effective Date:

03/01/2014

Rate	Fringe	Total	Total	Total
55.80	25.28	81.08	0.00	0.00

Iron Foreman, Caulking Foreman, Form Foreman, Cement Finishing Foreman, Concrete Foreman, Track Foreman, Clean-up Foreman, Grout Foreman

TERRITORY
ENTIRE STATE

NEW JERSEY DEPARTMENT OF LABOR AND WORKFORCE DEVELOPMENT
PREVAILING WAGE RATE DETERMINATION

HEAVY & GENERAL LABORERS- NEW TRANS HUDSON TUNNELS **Rates Expiration Date : 02/28/2015**

Effective Date:	03/01/2014				
	Rate	Fringe	Total	Total	Total
	59.55	25.28	84.83	0.00	0.00

Blaster

Effective Date:	03/01/2014				
	Rate	Fringe	Total	Total	Total
	54.98	25.28	80.26	0.00	0.00

Top Labor Foreman

Effective Date:	03/01/2014				
	Rate	Fringe	Total	Total	Total
	54.45	25.28	79.73	0.00	0.00

Skilled Men (including Caulker, Powder Carrier, all other skilled men)
Skilled Men (including Miner, Drill Runner, Iron Man, Conveyor Man, Maintenance Man, Safety Miner, Rigger, Block Layer, Cement Finisher, Rod Man)

Effective Date:	03/01/2014				
	Rate	Fringe	Total	Total	Total
	54.23	25.28	79.51	0.00	0.00

Semi-Skilled Men (including Bell or Signal Man top or bottom, Form Worker & Mover, Concrete Worker, Shaft Man, Tunnel Laborer, Caulker's Helper, all other semi-skilled)
Semi-Skilled Men (including Miner's Helper, Chuck Tender, Track Man, Nipper, Brake Man, Derail Man, Cable Man, Hose Man, Gravel Man, Form Man)

Effective Date:	03/01/2014				
	Rate	Fringe	Total	Total	Total
	53.48	25.28	78.76	0.00	0.00

All others (including Powder Watchman, Change House Attendant, Top Laborer, Job Steward)

TECHNICAL SPECIFICATIONS

FOR

**GARDEN SPRINKLER SYSTEM AT CHATFIELD GARDENS
LOCATED IN WARINANCO PARK**

**BOROUGH OF ROSELLE
UNION COUNTY, NEW JERSEY**

APRIL 2015

PREPARED BY:



Jose M. Betances, PE, PP, MCE
Harbor Consultants, Inc.
320 North Avenue East
Cranford, New Jersey 07016
Project No. 2014031

TABLE OF CONTENTS

<u>TITLE</u>	<u>SECTION</u>
SITE GRADING.....	02210
EARTHWORK FOR UTILITIES	02220
CONCRETE FOR SITE WORK	03001
EXTERIOR LIGHTING.....	265600
BRICK PAVERS, RESET BRICK AND VARIOUS PAVERS	321445
PLANTING IRRIGATION	328400
EROSION CONTROL	329210
FOUNTAINS.....	331213

SECTION 02210

SITE GRADING

1. PART 1 GENERAL

1.1 SECTION INCLUDES

- A. Excavation and placement of compacted fill to the grades as shown on the drawings. Excavation and embankments shall include the excavation of all earth and unclassified material as defined in the New Jersey Department of Transportation Standard Specifications, NJDOTSS, for Road and Bridge Construction, 2007 edition, Sections 202 and 203.

1.2 DEFINITIONS

- A. Excavation - shall consist of stripping and excavation necessary to grade the site as per the contract drawings. Excavation includes the following materials; earth, unclassified and unsuitable material and bituminous concrete base and surface courses.
- B. Embankment - is that material excavated which is suitable to use as fill on site.
- C. Borrow Excavation - is that material required for embankment obtained from an off-site source.

1.3 RELATED SECTION

- A. Section 02220 - Earthwork for Utilities.
- B. Section 329210 - Erosion Control.

1.4 REFERENCE DOCUMENTS

- A. New Jersey Department of Transportation Standard Specifications for Road and Bridge Construction, 2007 edition (NJDOTSS).
- B. American Society of Testing and Materials, (ASTM), designations as specified.

1.5 SUBMITTALS

- A. Submit data and certifications for select backfill and bedding materials.

B. Submit results of all laboratory and in-place field density tests.

2. PART 2 PRODUCTS

2.1 EMBANKMENT MATERIALS

A. Suitable Fill: Excavated material shall be used for embankment, provided that such material consists of loam, clay or other materials which, in the judgement of the Engineer, are suitable for filling. Unsuitable fill or frozen material shall not be used. Suitable fill shall be the following soils, classified by the Unified Soil Classification System, ASTM D-2487:

<u>Group Symbols</u>	<u>Typical Names</u>
GW	Well-graded gravels and gravel-sand mixtures, little or no fines.
GP	Poorly graded gravels and gravel-sand mixtures, little or no fines.
GM	Silty gravel, gravel-sand-silt mixtures.
GC	Clayey gravels, gravel-sand-clay mixtures.
SW	Well graded sands and gravelly sands, little or no fines.
SP	Poorly graded sands and gravelly sands, little or no fines.
SM	Silty sands, sand-silt mixtures.
SC	Clayey sands, sand-clay mixtures.
ML	Inorganic silts, very fine sands, rock flour, silty or clayey fine sands.
CL	Inorganic clays of low to medium plasticity, gravelly clays, sandy clays, silty clays, lean clays.

B. Unsuitable Backfill: Materials which are unsuitable for embankment include stones greater than 6 inches in their largest dimensions, pavement, rubbish, debris, wood, metal, plastic,

and the following soils, classified by the Unified Soil Classification System, ASTM D-2487:

<u>Group Symbols</u>	<u>Typical Names</u>
OL	Organic silts and organic silty clays of low plasticity.
MH	Inorganic silts, micaceous or diatomaceous fine sands or silts, elastic silts.
CH	Inorganic clays of high plasticity, fat clays.
OH	Organic clays of medium to high plasticity.
PT	Peat, muck, and other highly organic soils.

2.2 SUBBASE MATERIALS

- A. Type I-5 material shall conform to Section 901, Table 901-2 Standard Soil Aggregate Gradations as specified in NJDOTSS as follows:

<u>Sieve Size</u>	<u>Percentage by Weight Passing</u>
2"	100
3/4"	70 - 100
No. 4	30 - 80
No. 50	10 - 35
No. 200	5 - 12

- B. Quarry Process Stone shall conform to the requirements for Dense Graded Aggregate Base Course as specified in Subsection 901.08 of the NJDOTSS and shall be graded as follows:

<u>Sieve Size</u>	<u>Percentage by Weight Passing</u>
1-1/2"	100
3/4"	55 - 90
No. 4	25 - 60
No. 50	5 - 25
No. 200	3 - 12

3. PART 3 EXECUTION

3.1 EXAMINATION AND PREPARATION

- A. All information shown on the drawings relating to existing conditions is from surveys performed by other consultants. Such information is furnished only for the information and convenience of the Contractor. The Engineer does not warrant or guarantee that the materials and conditions encountered during construction will be the same as indicated on the drawings.
- B. Existing storm sewers, sanitary sewers, water mains, gas mains, electric ducts, telephone ducts, storm sewers and other underground structures and lines have been shown on the plans according to the best available information. The exact location and protection of these facilities and structures, their support and maintenance in operation during construction (in cooperation with the proper authorities), is the responsibility of the Contractor.

3.2 EXCAVATION

- A. Excavate topsoil in a manner to separate it clearly from subsoil and stockpile in designated areas on-site and keep segregated from undesirable material.
- B. Excavated soil suitable for embankment shall be stockpiled in designated areas on-site and segregated from undesirable material. Material determined to be unsuitable for embankment shall be disposed of off-site.
- C. Excavate subgrade to lines and grades indicated on the Drawings.
- D. When excavations are required to be made in or adjacent to existing paved surfaces, the pavement shall be saw cut to provide a clean uniform edge with minimum disturbance to the remaining pavement.
- E. Remove existing bituminous concrete sidewalks and curb as required to establish subgrade elevations and dispose of same off-site.
- F. Excavation shall be carried out in such a manner that the grade throughout the work is kept drained at all times. Prevent surface runoff onto adjacent

properties.

3.3 EMBANKMENT

- A. The soil and rock or rubble, free of wood, metal or other deleterious materials, obtained from on-site excavations shall be used for fill. The quantity of rock/boulders shall be such that there are no voids and no adverse effect on the compaction operations is created.
- B. The fill material shall be spread in loose lifts at a maximum of 6" thick and each lift shall be compacted as required to achieve the specified density.
- C. The soil shall be compacted to a minimum dry density equal to 95 percent of the dry density as determined by the Modified Proctor ASTM D1557. If the water content is such that proper compaction cannot be obtained, water shall be added or the soil dried in order to achieve a water content at which the compaction can be obtained.
- D. The contractor shall establish operating procedures whereby uniform coverage of an area is obtained and the number of passes of the compaction equipment can be readily determined. At the completion of the days work the fill surface shall be sealed with a rubber tired compactor or other appropriate equipment as approved by the engineer.
- E. No frozen material shall be used as fill. If fill material which has been compacted, tested, and approved by the engineer becomes frozen, the engineer shall be notified and shall determine whether it can remain in place or should be removed before additional fill is placed.
- F. Material which is not suitable for fill due to the existence of wood, metal, trash, etc. shall be disposed of off-site in a legal manner.
- G. Final grades shall be within 0.1' plus or minus of the elevations shown on the drawings.

3.4 SUBBASE

- A. Grade areas to receive subbase in accordance with

this Section.

- B. Place and compact quarry process stone in driveway and parking areas in accordance with the lines and grades on the drawings.
- C. Place and compact I-5 material in sidewalk and curb areas in accordance with the lines and grades on the drawings.
- D. Compact to a minimum dry density equal to 95 percent of the dry density as determined by the Modified Proctor ASTM D1557.
- E. Grades shall be within 0.1' plus or minus of the elevations shown on the drawings.

3.5 FIELD QUALITY CONTROL

- A. The Contractor shall employ and pay for the services of a qualified independent testing laboratory to perform the specified testing to ensure that proper compaction is obtained.
- B. Contractor is responsible for the means, methods, techniques, sequences and procedures of construction to compact the embankment which suites the conditions and type of soil used as backfill.
- C. Tests and analysis of fill material will be performed in accordance with ASTM D2487 and ASTM D1557; and will be measured in the field by ASTM D2167, D2922, or D1556.
- D. Frequency of Tests: Perform laboratory moisture density tests on existing on-site subgrade soils to be used for filling under this section. Perform in-place moisture density tests at 1 per 5,000 s.f. on each lift to demonstrate that proper compaction has been obtained.
- E. If tests indicate that work does not meet the specifications, correct and retest at no additional cost to Owner.

3.6 CLEANUP AND MAINTENANCE

- A. Cleanup job site as work is completed. Remove or stockpile excess fill materials. Restore items moved, damaged or destroyed during construction.

Grade areas to be restored.

- B. Maintain the job site until the work has been completed and accepted. Fill excavations which settle when settlement is visible. Restore items damaged by construction or improper restoration. Keep dust conditions to minimum by the use of water, salt, calcium chloride, or other means.

END OF SECTION

SECTION 02220

EARTHWORK FOR UTILITIES

1. PART 1 GENERAL

1.1 SECTION INCLUDES

- A. Trenching, backfilling and compaction for utilities.

1.2 RELATED SECTION

- A. Section 02210 - Site Grading
- B. Section 329210 - Erosion Control.

1.3 REFERENCE DOCUMENTS

- A. New Jersey Department of Transportation Standard Specifications for Road and Bridge Construction 2007 (NJDOTSS).
- B. American Society of Testing and Materials, (ASTM), designations as specified.

1.4 SUBMITTALS

- A. Submit data and certifications for select backfill and bedding materials.
- B. Submit results of all laboratory and in-place field density tests.

2. PART 2 PRODUCTS

2.1 BACKFILL MATERIALS

- A. Suitable Backfill: Excavated material shall be used when backfill is specified on the plans and when select backfill is not specifically specified, provided that such material consists of loam, clay or other materials which are suitable for backfilling. Unsuitable backfill or frozen backfill material shall not be used. Suitable backfill shall be the following soils, classified by the Unified Soil Classification System, ASTM D-2487:
Group

<u>Symbols</u>	<u>Typical Names</u>
GW	Well-graded gravels and gravel-sand mixtures, little or no fines.
GP	Poorly graded gravels and gravel-sand mixtures, little or no fines.
GM	Silty gravel, gravel-sand-silt mixtures.
GC	Clayey gravels, gravel-sand-clay mixtures.
SW	Well graded sands and gravelly sands, little or no fines.
SP	Poorly graded sands and gravelly sands, little or no fines.
SM	Silty sands, sand-silt mixtures.
SC	Clayey sands, sand-clay mixtures.
ML	Inorganic silts, very fine sands, rock flour, silty or clayey fine sands.
CL	Inorganic clays of low to medium plasticity, gravelly clays, sandy clays, silty clays, lean clays.

B. Unsuitable Backfill: Materials which are unsuitable for backfill include stones greater than 6 inches in their largest dimensions, pavement, rubbish, debris, wood, metal, plastic, and the following soils, classified by the Unified Soil Classification System, ASTM D-2487:

<u>Group Symbols</u>	<u>Typical Names</u>
OL	Organic silts and organic silty clays of low plasticity.
MH	Inorganic silts, micaceous or diatomaceous fine sands or silts, elastic silts.
CH	Inorganic clays of high plasticity, fat clays.

- OH Organic clays of medium to high plasticity.
- PT Peat, muck, and other highly organic soils.

C. Select Backfill: Type I-4 material shall conform to the requirements of Subsection 901.09 of the NJDOTSS and shall be graded as follows:

<u>Sieve Size</u>	<u>Percentage by Weight Passing</u>
2"	100
1"	60 - 100
1/2"	40 - 100
No. 4	25 - 100
No. 8	20 - 100
No. 16	15 - 85
No. 50	8 - 45
No. 200	5 - 10

2.2 BEDDING MATERIALS

A. Bedding: Type I-8 bedding material shall conform to Subsection 901.08 of the NJDOTSS and shall be graded as follows:

<u>Sieve Size</u>	<u>Percentage by Weight Passing</u>
1/2"	100
No. 4	95 - 100
No. 16	45 - 70
No. 50	5 - 25
No. 200	0 - 5

B. Bedding: Type No. 57 bedding material shall conform to Subsection 901.04 of the NJDOTSS and shall be graded as follows:

<u>Sieve Size</u>	<u>Percentage by Weight Passing</u>
1-1/2"	100
1"	95 - 100
1/2"	25 - 60
No. 4	0 - 10
No. 8	0 - 5

3. PART 3 EXECUTION

3.1 EXAMINATION AND PREPARATION

- A. Existing storm sewers, sanitary sewers, water mains, gas mains, electric ducts, telephone ducts, storm sewers and other underground structures and lines have been shown on the plans according to the best available information. The exact location and protection of these facilities and structures, their support and maintenance in operation during construction (in cooperation with the proper authorities), is the responsibility of the Contractor.

3.2 TRENCHING

- A. Strip vegetation and excavate topsoil in a manner to separate it clearly from subsoil and stockpile in area designated on site.
- B. Excavate for pipe; drainage structures; and water and sanitary service connections by open cut method.
- C. Separate and stockpile material suitable for backfilling in designated on-site area. Material determined to be unsuitable for backfilling shall be disposed of off-site
- D. Cut trenches sufficiently wide to provide suitable room for laying and joining pipe, building structures, trench wall support and dewatering.
- E. Hand trim excavation and leave free of loose matter. Replace over-excavations at bottom of trench with compacted select material.
- F. Support pipe and conduits during placement and compaction of bedding and backfill.
- G. Wherever sewer, gas, water or other pipes or conduits cross the trench, the Contractor shall support said pipes and conduits without damage to them and without interrupting the work as outlined in this contract.
- H. When excavations are required to be made in or adjacent to existing paved surfaces, the

pavement shall be saw cut to provide a clean uniform edge with minimum disturbance to the remaining pavement.

- I. Remove existing bituminous concrete sidewalks and curb as required to establish subgrade elevations and dispose of same off-site.

3.3 BACKFILLING

- A. Backfill areas to the required grades. Do not backfill over porous, wet, frozen, or spongy subgrade surfaces.
- B. Do not backfill until all utilities have been inspected by representatives of the Municipality and the respective utility companies and until all underground utilities and piping are installed in accordance with the requirements of the specifications and drawings.
- C. The backfill material shall be compacted to a minimum dry density equal to 95 percent of the dry density as determined by the Standard Proctor Test ASTM D698. If the water content is such that the proper compaction cannot be obtained, water shall be added or the material dried in order to achieve a water content at which the proper compaction can be achieved.
- D. No compaction shall be done when material is too wet to be compacted properly. At such times the work shall be suspended until the previously placed and new materials have dried out sufficiently to permit proper compaction.
- E. All trench excavations shall be backfilled and compacted on the same day as they were excavated. To the greatest extent possible, excavations shall not be left open overnight.
- F. Backfill for drainage structures shall be brought up evenly on all sides of the structure to prevent eccentric loading and excessive stress.
- G. Backfill to within plus or minus 0.1' of elevations shown on the drawings.

3.4 SHEETING AND SHORING

- A. Shore, sheet and brace all excavations as required to assure safe working conditions and to prevent damage to structures as required by laws and regulations.
- B. Contractor is solely responsible for the means, methods, techniques and procedures of construction to support the sides of the excavations and to prevent any movement of earth to prevent damage, injury or loss to:
 - 1. All employees on the work and other persons who may be affected thereby.
 - 2. All the work and all materials and equipment to be incorporated therein.
 - 3. Other property at the site or adjacent thereto, including trees, shrubs, lawns, walks, pavements, roadways, structures and utilities not designated for removal, relocation or replacement in the course of construction.

3.5 DEWATERING

- A. Keep excavations free from water until the water mains, sewers, structures, and appurtenances to be constructed in the excavations are completed and will safely withstand forces from water. Provide sufficient dewatering equipment and make satisfactory arrangements for the disposal of the water without undue interference with other work, damage to property, or damage to the environment.
- B. Operate dewatering equipment ahead of pipe laying and keep the water level below the pipe invert until the pipe is secured by backfill.

3.6 FIELD QUALITY CONTROL

- A. Contractor is responsible for the means, methods, techniques, sequences and procedures of construction to compact the trench backfill

which suites the conditions and type of soil used as backfill.

- B. Tests and analysis of fill material will be performed in accordance with ASTM D698 and ASTM D2487; and will be measured in the field by ASTM D2167, D2922, or D1556.
- C. Frequency of Tests: Perform laboratory moisture density tests on existing on-site subgrade soils to be used for backfilling under this section. Perform in-place moisture density tests at 50' intervals on each lift to demonstrate that proper compaction has been obtained.
- C. If tests indicate that work does not meet the specifications, correct and retest at no additional cost to Owner.

3.7 MAINTAINING TRAFFIC

- A. Before closing any street, the Contractor shall notify and, if necessary, obtain a permit from the Township, which notice shall be given not less than 72 hours in advance of the time when it may be necessary in the process of construction to close such street.
- B. The Contractor shall conduct his work in such manner as not to unduly or unnecessarily restrict or impede normal traffic through the streets of the community. Excavated material shall not be located in such manner as to obstruct traffic; and the traveled way of all streets and private driveways. If required, the Contractor shall, at his own expense, construct bridges or other temporary crossing structures over trenches so as not to unduly restrict traffic. Such structures shall be of adequate strength and proper construction and shall be maintained by the Contractor in such manner as not to constitute an undue traffic hazard. The Contractor shall be liable for any damages to persons or property resulting from his work.

3.8 WALKS AND PASSAGEWAYS

- A. To the greatest extent possible the Contractor shall not obstruct the sidewalks, gutters, or

streets, nor prevent in any manner the flow of water in the latter, but shall use all proper and necessary means to permit the free passage of surface water along the gutters. The Contractor shall immediately cart away all offensive matter. All material excavated must be so disposed of as to inconvenience the public and adjacent tenants as little as possible and to prevent damage to trees, sidewalks, fences, and adjacent property of all kinds.

3.9 WARNING LIGHTS

- A. The Contractor shall place sufficient warning lights on or near the work and keep them illuminated during periods of reduced visibility (from twilight in the evening until sunrise) and will be held responsible for any damages that any party or the Owner may sustain in consequences of neglecting the necessary precaution in prosecuting this work.

3.10 CLEANUP AND MAINTENANCE

- A. Cleanup the job site as backfilling is completed. Remove excess earth, rock, bedding, materials, and backfill materials. Remove unused piping materials, structure components, and appurtenances. Restore items moved, damaged, or destroyed during construction. Grade areas to be restored.
- B. Cold-mix asphalt patching material may be used as a temporary driving surface until all other heavy construction is completed, at which time permanent restoration shall be completed.
- C. Maintain the job site until the work has been completed and accepted. Fill trenches which settle when settlement is visible. Restore items damaged by construction or improper restoration.

END OF SECTION

SECTION 03001

CONCRETE FOR SITE WORK

1. PART 1 GENERAL

1.1 SECTION INCLUDES

- A. Formwork, reinforcement, accessories, cast-in-place concrete including thrust blocks and curbs.

1.2 RELATED SECTIONS

- A. Section 02210 - Site Grading
- B. Section 02220 - Earthwork for Utilities

1.3 REFERENCE DOCUMENTS

- A. New Jersey Department of Transportation Standard Specifications for Roadway and Bridge Construction (NJDOTSS), 2007 Edition.
- B. American Society of Testing and Materials, (ASTM), designations as specified.
- C. American Concrete Institute, (ACI), designations as specified.

1.4 SUBMITTALS

- A. Submit shop drawings for all materials.
- B. Shop Drawings: Indicate pertinent dimensioning, methods of construction, joints, inserts, reinforcement, and schedule of erection and stripping, and type and location of lifting devices.
- C. Indicate reinforcement sizes, spacings, locations, and quantities, bending and cutting schedules, supporting and spacing devices.
- D. Submit concrete mix design for each different mix used.
- E. Submit product data for specified materials to demonstrate conformance with specifications.

SECTION 03001
CONCRETE FOR SITE WORK

1.5 QUALITY ASSURANCE

- A. Construct and erect concrete formwork in accordance with ACI 301, 318, and 347, unless specified otherwise in this Section.
- B. Perform concrete reinforcing work in accordance with ACI 301 and 318, unless specified otherwise in this Section.
- C. Perform cast-in-place concrete work in accordance with ACI 301, 318, 304, 305 and 306, unless specified otherwise in this Section.

1.6 TRAFFIC CONTROL

- A. The Contractor shall plan construction operations such that existing local traffic access can be maintained and shall maintain during the construction, barricades, lights, flagmen, and other protective devices as appropriate.
- B. Traffic control to be in accordance with Section 02220, paragraphs 3.7, 3.8 and 3.9; and all applicable rules and regulations.

2. PART 2 PRODUCTS

2.1 FORM MATERIALS

- A. Form materials shall be plywood, lumber, or metal.
- B. Form release agent: colorless non-staining mineral oil.

2.2 REINFORCEMENT MATERIALS

- A. Reinforcing Steel: ASTM A615, 60 ksi yield grade; deformed billet steel bars, plain finish.
- B. Welded Wire Fabric: ASTM A185, plain wire, 60 ksi grade.
- C. Chairs, Bolsters, Bar Supports, Spacers: Sized and shaped for support of reinforcing.
- D. Fabricate concrete reinforcing in accordance with ACI 315.

SECTION 03001
CONCRETE FOR SITE WORK

2.3 CONCRETE MATERIALS

- A. Cement: ASTM C150, Type IA or Type IIA Portland type.
- B. Fine and Coarse Aggregates: ASTM C33 and NJDOTSS, Section 901.13- Aggregates for Portland Cement Concrete, Mortar, and Grout.
- C. Water: Clean and not detrimental to concrete.
- D. Air Entrainment Admixture: ASTM C260.
- E. Non-shrink Grout: Premixed compound consisting of non-metallic aggregate, cement, water reducing and plasticising agents.

2.4 COMPOUNDS, HARDENERS AND SEALERS

- A. Curing Compound: ASTM C309.
- B. Absorptive Mats: ASTM C171, burlap- polyethylene.

2.5 CONCRETE MIX

- A. Mix and deliver concrete in accordance with ASTM C94, Alternative 2, and ACI 304R-89.
- B. Provide concrete of the following strength:
 - 1. Class B: Compressive Strength of 4,000 psi at 28 days.
 - 2. Slump: 2 to 3 inches.
- C. Add air entraining agent to concrete mix for concrete work exposed to exterior in accordance with ACI C260 to achieve an air content of 6%.

3. PART 3 EXECUTION

3.1 FORMWORK ERECTION

- A. Erect formwork, shoring and bracing to achieve design requirements.
- B. Provide bracing to ensure stability of formwork.
- C. Apply form release agent to formwork in accordance with manufacturer's instructions, prior to placing for accessories and reinforcement.
- D. Clean forms as erection proceeds, to remove foreign matter.

SECTION 03001
CONCRETE FOR SITE WORK

3.2 INSERTS, EMBEDDED COMPONENTS, AND OPENINGS

- A. Provide formed openings where required for work to be embedded in and passing through concrete members.
- B. Coordinate work of other Sections in forming and setting openings, slots, recesses, chases, sleeves, bolts, anchors, and other inserts.
- C. Install concrete accessories straight, level, and plumb.

3.3 REINFORCEMENT PLACEMENT

- A. Place reinforcement, supported and secured against displacement.
- B. Ensure reinforcing is clean, free of loose scale, dirt, or other foreign coatings.

3.4 PLACING CONCRETE

- A. Prepare previously placed concrete by cleaning with steel brush and applying bonding agent. Apply bonding agent in accordance with manufacturer's instructions.
- B. Place concrete continuously between predetermined expansion, control and construction joints. Do not break or interrupt successive pours such that cold joints occur.
- C. Prior to placing concrete, mix on-site a minimum of 1 minute for each cubic yard in the mixer.
- D. Do not increase the quantity of water beyond the design quantity for the purpose of ease in placing the concrete. Immediately remove free water, soft concrete, or mortar that appears on the surface of the concrete. Correct the cause of this condition.
- E. Prior to beginning the placement of concrete, have material and equipment on hand, if necessary, for curing and protecting the concrete.
- F. Place concrete without segregation. Remove and discard any concrete which is segregated, too wet for use, or not of uniform consistency.

SECTION 03001
CONCRETE FOR SITE WORK

- G. Do not use concrete which becomes nonplastic and unworkable, or does not meet the required quality control limits, or which has been contaminated by foreign materials.
- H. Do not drop concrete a distance greater than 4 feet. Do not place the concrete mixture by means of pumps or similar devices, except with written permission of the Engineer.
- I. Do not place consecutive batches adjacent to each other at concrete temperatures differing by more than 20° F. Do not place concrete upon frozen foundation material, in forms containing frost, or around frosted reinforcement.
- J. For succeeding batches, place concrete in the forms within 30 minutes. Fill each part of the form by depositing the concrete as close to its final position as possible. Do not work or flow concrete along the forms from point of deposit. Work the concrete without displacing the reinforcement.
- K. When concrete must be placed in a sloping lift, place the concrete at the bottom of slope first, and place so that the upper surface is at the indicated elevation after it has been struck off and after initial shrinkage has taken place.
- L. Consolidate concrete by vibration uniformly and at systematic regular intervals in each lift using an internal vibrator.
- M. Provide clearance and concrete cover over reinforcing steel in accordance with ACI 318 Code, Section 7.6 & 7.7.
- N. Finish concrete surfaces accurately and evenly, free from open or rough areas, and free from depressions or projections.
- O. Remove and discard concrete segregated by improper vibrator operation.

3.5 COLD WEATHER CONCRETING

- A. From the time of the first frost until the mean daily temperature falls below 40 degrees F. for more than one day, protect concrete from freezing for the first two days.

SECTION 03001
CONCRETE FOR SITE WORK

- B. When mean daily temperatures are between 32 and 40 degrees F. the temperature of the concrete mix shall be not less than 55 degrees F. and protect concrete from freezing for seven days.
- C. Heat only mixing water to not more than 140 degrees F to obtain desired concrete placement temperature.
- D. When the mean daily temperatures are below 32 degrees F, no concreting shall be done without the approval of the Engineer.
- E. Protect concrete from freezing with covered forms in place, insulating blankets, tarpaulins with straw or hay.
- F. When cold weather concreting takes place (below 40 degrees F) record air temperature during concreting, high and low temperatures for the day and temperature of concrete when placed.
- G. After required protection period, remove insulation so that temperature drop of concrete is not more than 40 degrees F in 24 hours.

3.6 FORM REMOVAL

- A. Do not remove forms or bracing until concrete has gained sufficient strength to carry its own weight and imposed loads.
- B. Remove formwork progressively and in accordance with code requirements.

3.7 CURING

- A. Immediately after placement, protect concrete from premature drying.
- B. Maintain concrete with minimal moisture loss at relatively constant temperature for period necessary for hydration of cement and hardening of concrete.

3.8 PROTECTION

- A. Protect finished installation from damages or displacement.

END OF SECTION

SECTION
265600

EXTERIOR LIGHTING

PART 1 - GENERAL

1.01 DESCRIPTION OF WORK:

- A. Extent of exterior lighting fixture work is indicated by drawings and schedules.
- B. Types of exterior lighting fixtures in this section include the following:
 - High-intensity-discharge (HID).
 - Metal halide.
- C. Applications of exterior lighting fixtures required for project include the following:
 - Outdoor area lighting.
 - Outdoor supplementary lighting.

PART 2 - PRODUCTS

2.01 ACCEPTABLE MANUFACTURERS:

- A. Manufacturer: Cooper Lighting or equal. For reference see enclosed lighting description and specification from Cooper Lighting.

2.02 EXTERIOR LIGHTING FIXTURES:

- A. General: Provide lighting fixtures, of sizes, types and ratings indicated; complete with, but not necessarily limited to, housings, lamps, lamp holders, reflectors, ballasts, starters and wiring.
- B. Fluorescent-Lamp Ballasts: Provide fluorescent-lamp ballasts, capable of operating lamp types indicated; with high power factor, rapid-start, and low-noise features; Type 1, sound rated A, and with internal thermal protection.
- C. High-Intensity-Discharge-Lamp Ballasts: Provide HID lamp ballasts, capable of operating lamp types and ratings indicated; reactor type, high power factor, core and coil assembly encapsulated in non-melt resin; install capacitor outside ballast encapsulation for easy field replacement; and enclose assembly in drawn aluminum alloy housing(s) unless otherwise specified.
- D. High-Intensity-Discharge-Lamp Ballasts: Provide HID lamp ballasts, of ratings,

types and makes as recommended by lamp manufacturer, which properly matches lamps to power line by providing appropriate voltages and impedances for which lamps are designed.

- E. Comply with additional fixture requirements contained in Lighting Fixture Schedule shown on drawings.

2.03 LUMINAIRES:

- A. Provide corrosion-resistant, aluminum luminaires, of sizes, types and styles indicated on the drawings.

2.04 EXTERIOR LIGHTING CONTROL

- A. Provide photocell, timeclock and contactors as indicated on plans. Time clock shall be digital microprocessor-based with battery backup. All contactors shall be full size standard NEMA. Miniature size contactors will not be allowed.

PART 3 - EXECUTION

3.01 INSTALLATION OF EXTERIOR LIGHTING FIXTURES:

- A. Install exterior lighting fixtures at locations and heights as indicated, in accordance with fixture manufacturer's written instructions, applicable requirements of NEC, NECA's "Standard of Installation", NEMA standards, and with recognized industry practices to ensure that lighting fixtures fulfill requirements.
- B. Coordinate with other electrical work as appropriate to properly interface installation of exterior lighting fixtures with other work.
- C. Fasten fixtures securely to indicated structural supports; and check to ensure that solid pendant fixtures are plumb.
- D. Install lighting units as indicated, in accordance with manufacturer's written instructions, applicable requirements of NEC, NESC and NEMA standards, and with recognized industry practices to ensure that lighting units fulfill requirements.
- E. Coordinate with other electrical work as necessary to properly interface installation of roadway and parking area lighting with other work.
- F. Use belt slings or rope (not chain or cable) to raise and set finished poles and standards to protect finishes.
- G. Set poles and standards plumb. Support adequately during backfilling, or anchoring to foundations.

- H. Provide sufficient space encompassing hand access and cable entrance holes for installation of underground cabling where indicated.

3.02 ADJUST AND CLEAN:

- A. Clean exterior lighting fixtures of dirt and debris upon completion of installation.
- B. Protect installed fixtures from damage during remainder of construction period.

3.03 GROUNDING:

- A. Provide tight equipment grounding connections for each roadway and parking area lighting unit installation.
- B. Provide tight equipment grounding connections for each exterior lighting fixture installation.
- C. Exterior lighting branch circuits shall be equipped with a code size equipment grounding conductor. The equipment grounding conductor shall bond to the pole base, pole, luminaire housing, and ballast frame to insure a complete ground return path for all outdoor lighting system components.

3.04 FIELD QUALITY CONTROL:

- A. Upon completion of installation of exterior lighting fixtures, and after energizing branch supply circuitry, apply electrical energy to lighting fixtures to demonstrate capability and compliance with requirements. Where possible, correct malfunctioning units at site, then retest to demonstrate compliance; otherwise, remove and replace with new units, and proceed with retesting.
- B. Replace defective and burned-out lamps at the time of Substantial Completion.
- C. Furnish stock or replacement lamps amounting to 10% (but not less than one lamp in each case) of each type and size lamp used in each type fixture. Deliver replacement stock as directed to Owner's storage space.

END OF SECTION 265600

DESCRIPTION

The Cascade Series combines traditional styling with Dark Sky Friendly cutoff classified performance that provides excellent uniformity. Cascade's styling blends well in many settings downtown streetscapes, roadways residential neighborhoods and city parks.

Catalog #		Type
Project		
Comments		Date
Prepared by		

SPECIFICATION FEATURES

Construction

HOUSING: Heavy-duty cast aluminum housing and removable door 2G vibration tested to ensure strength of construction and longevity in application. A single quarter turn fastener on the removable door provides toolless access to the ballast, terminal block and the optional internally mounted photocontrol receptacle for ease of installation and maintenance. **CAGE ASSEMBLY:** Six-sided lantern cage assembly manufactured of heavy-duty cast aluminum and mounted to the exterior of the base housing via four [4] stainless steel fasteners. Finished to match housing. **TOPS AND FINIALS:** Cascade lantern top is heavy-duty cast aluminum with spun top cap offering top access for toolless entrance into the lamp compartment during relamping or maintenance. Choose from three [3] cast aluminum finials for customized fixture style.

Electrical

HID ballast assembly mounted to a toolless removable tray with quick disconnects for ease of installation and maintenance. Wide toolless access door provides ample hand and tool room for terminal block and plug-in starter access. Available with HID sources up to 400W metal halide or 250W high pressure sodium.

Optical

LENS: Clear thermo formed lighting grade acrylic lens ensures long lasting optical clarity and resistance to the gradual discoloration that results from exposure to sunlight or UV radiating sources. **REFLECTOR + CHIMNEY:** Equipped with multifaceted, precision formed Type III Cutoff [3C] or Type V Cutoff [5C] optical systems. Chimney housing electrical components supplied standard with a brushed aluminum finish or with an optional matte black [Y] or copper anodized [C] finish.

Mounting

Base casting slipfits over a standard 3" O.D. tenon and secured via four (4) stainless steel allen head fasteners. 3.5G vibration tested.

Finish

Cast and spun components finished in a 5 stage premium TGIC polyester powder coat paint, 2.5 mil nominal thickness for superior protection against fade and wear. Consult your Streetworks representative for a complete selection of standard colors include black, bronze, grey, white, dark platinum, graphite metallic, and hartford green. RAL and custom color matches available.



**CBS/ARS/ACS
CASCADE**

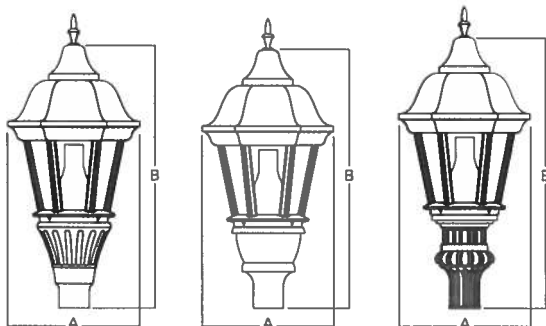
50 - 250W

Pulse Start Metal Halide
High Pressure Sodium
Metal Halide

DECORATIVE POST TOP
LUMINAIRE



DIMENSIONS



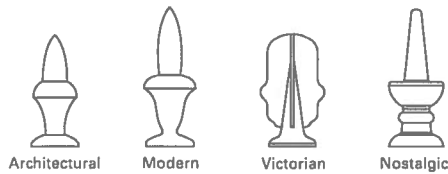
Fixture	A	B
CBS	20-3/8" [516mm]	40-7/8" [1038mm]
ARS	20-3/8" [516mm]	40-1/4" [1022mm]
ACS	20-3/8" [516mm]	41-1/4" [1048mm]

EPA
Effective Projected Area:
2.4 Square Feet

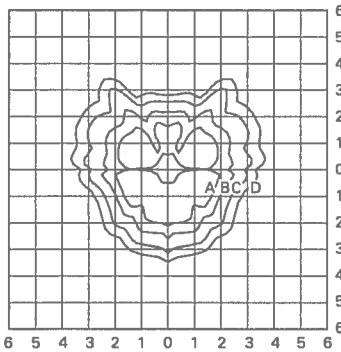
SHIPPING DATA
Approximate Net. Weight:
50 lbs. (23kgs.)



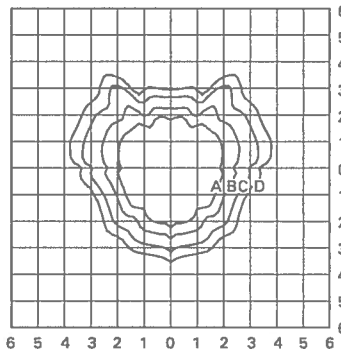
FINIAL OPTIONS (Painted to match housing)



PHOTOMETRICS (Complete IES files available at www.cooperlighting.com)



CBS17M3C.IES
175-Watt MH
14,000-Lumen Clear ED-28 Lamp
Type III Acrylic Refractor



CBS15S3C.IES
150-Watt HPS
16,000-Lumen Clear ED-23.5 Lamp
Type III Acrylic Refractor

Footcandle Table

Select mounting height and read across for footcandle values of each isofootcandle line. Distance in units of mounting height.

Mounting Height	Footcandle Values for Isofootcandle Lines			
	A	B	C	D
10'	2.25	1.12	0.45	0.22
15'	1.00	0.50	0.20	0.10
20'	0.56	0.28	0.11	0.05

ORDERING INFORMATION

Sample Number: CBS15SWW3C78X

<p>Product Family CBS=Cascade with Classical Base ACS=Cascade with Acorn Base ARS=Cascade with Architectural Base</p>	<p>Lamp Wattage <u>Pulse Start Metal Halide</u>¹ 70=70W 10=100W 15=150W 17=175W 25=250W 32=320W <u>High Pressure Sodium</u> 50=50W 70=70W 10=100W 15=150W 25=250W <u>Probe Start Metal Halide</u>² 17=175W 25=250W 40=400W³</p>	<p>Lamp Type⁴ P=Pulse Start Metal Halide S=High Pressure Sodium M=Probe Start Metal Halide</p> <p>Ballast Type C=CWI H=Reac./HPF K=10KV CWA⁵ N=Hi.Reac./NPF P=Hi. Reac./HPF R=Hi.Reac./NPF⁶ W=CWA</p>	<p>Voltage 2=120V 0=208V 4=240V 7=277V 8=480V 9=347V W=Multi-Tap wired 120V N=Multi-Tap wired 277V</p> <p>Distribution 3C=Type III Cutoff 5C=Type V Cutoff</p>	<p>Cage Type⁷ 7=Latem</p> <p>Top Type 8=Six Sided</p> <p>Finial Type 1=Victorian 2=Modern 3=Architectural 4=Nostalgic X=None</p>	<p>Color AP=Grey BZ=Bronze BK=Black DP=Dark Platinum GN=Hartford Green GM=Graphite Metallic WH=White</p>	<p>Options⁸ CEC=California Title 20 Compliant Ballast (Applies to 175-320W Pulse Start MH only) 1=Single Fuse (120,⁹ 277 or 347V) 2=Double Fuse, (208,⁹ 240, or 480V) 4=NEMA Photocontrol Receptacle C=Copper Accents¹⁰ L=Lamp Included HS=House Side Shield U=U.L./CSA Listed Y=Black Chimney</p> <p>Accessories¹¹ MA1220= House Side Shield - Cutoff</p>
--	--	--	--	--	---	---

- Notes: 1 Medium-base socket standard for up to 50 watt Metal Halide.
- 2 Probe Start Metal Halide available for non-US markets only.
- 3 400W Metal Halide requires reduced jacket ED28 lamp. Not available in 480V.
- 4 Refer to the technical section for lamp/ballast voltage compatibility.
- 5 Available 50-150W. 120/240 or single voltage only.
- 6 Available in 120V only.
- 7 Cage Type will be finished same color as base.
- 8 Add as suffix in the order shown.
- 9 Must specify voltage.
- 10 Chimney and Access Top finished in copper.
- 11 Order separately.

SECTION 328400 - PLANTING IRRIGATION

PART 1 - GENERAL

1.1 RELATED DOCUMENTS

- A. Drawings and general provisions of the Contract, including General and Supplementary Conditions and Division 01 Specification Sections, apply to this Section.

1.2 SUMMARY

- A. Section Includes:
 - 1. Piping.
 - 2. Sleeving for piping.
 - 3. Manual valves.
 - 4. Automatic control valves.
 - 5. Miscellaneous piping specialties.
 - 6. Sprinklers
 - 7. Quick couplers.
 - 8. Controllers.
 - 9. Boxes for automatic control valves.
 - 10. Wiring and connections.

1.3 DEFINITIONS

- A. Circuit Piping: Downstream from control valves to sprinklers, specialties, and drain valves. Piping is under pressure during flow.
- B. Drain Piping: Downstream from circuit-piping drain valves. Piping is not under pressure.
- C. Main Piping: Downstream from point of connection to water distribution piping to, and including, control valves. Piping is under water-distribution-system pressure.
- D. Low Voltage: As defined in NFPA 70 for circuits and equipment operating at less than 50 V or for remote-control, signaling power-limited circuits.

1.4 PERFORMANCE REQUIREMENTS

- A. Irrigation zone control shall be **automatic operation with controller and automatic control valves**.
- B. Location of Sprinklers and Specialties: Design location is approximate. Make minor adjustments necessary to avoid plantings and obstructions such as signs and light standards. Maintain 100 percent irrigation coverage of areas indicated.

SECTION 321445 – BRICK PAVERS, RESET BRICK AND VARIOUS PAVERS

1. PART 1 GENERAL

1.1 SCOPE OF WORK

This technical specification covers the furnishing of all labor, materials, tools, and equipment necessary to construct brick paving, or reset brick and other paving materials such as stone, slate, etc., as shown on the plans or as directed by the Engineer. Prior to installation of the bricks, all work within the brick paver limits shall be complete and shall include, but not be limited to, the adjustments of all public and private frames, grates, covers and utility boxes..

1.2 WORK SPECIFIED ELSEWHERE

A. Subgrade preparation shall be as specified in Section 02210 - Site Grading.

1.3 RELATED SECTIONS

A. Section 02210 - Site Grading.

B. Section 02220 - Earthwork for Utilities

C. Section 329210 – Erosion Control

1.4 REFERENCES

A. American Society for Testing and Materials (ASTM)

1. C 67, Standard Test Methods for Sampling and Testing Concrete Masonry Units and Related Units.
2. C 131, Standard Test Method for Resistance to Degradation of Small-Size Coarse Aggregate by Abrasion and Impact in the Los Angeles Machine.
3. C 136, Method for Sieve Analysis for Fine and Coarse Aggregate.
4. C 140, Test Methods for Sampling and Testing Brick and Structural Clay Tile, Section 8 — Freezing and Thawing.
5. D 448, Standard Classification for Sizes of Aggregate for Road and Bridge Construction.
6. C 936, Standard Specification for Solid Interlocking Concrete Pavers.
7. C 979, Specification for Pigments for Integrally Colored Concrete.
8. D 698, Test Methods for Moisture Density Relations of Soil and Soil Aggregate Mixtures Using a 5.5-lb (2.49 kg) Rammer and 12 in. (305 mm) drop.
9. D 1557, Test Methods for Moisture Density Relations of Soil and Soil Aggregate Mixtures Using a 10-lb (4.54 kg) Rammer and 18 in. (457 mm) drop.
10. D 4254, Standard Test Methods for Minimum Index Density and Unit Weight of Soils and Calculation of Relative Density.

B. New Jersey Department of Transportation Standard Specifications for Road and Bridge Construction, 2007 edition, (NJDOTSS).

1.5 SUBMITTALS

- A. In accordance with Conditions of the Contract and plans.
- B. Manufacturer's drawing and details: Indicate perimeter conditions, junction with other materials, expansion and control joints, paver layout, patterns, color arrangement, installation and setting details. Indicate layout, pattern, and relationship of paving joints to fixtures and project formed details.
- C. Sieve analysis of aggregates for base and bedding materials per ASTM C 136.
- D. Soils report indicating density test reports, classification, and infiltration rate measured on-site under compacted conditions, and suitability for the intended project.
- E. Pavers:
 - 1. Manufacturer's product catalog sheets with specifications.
 - 2. Four representative full-size samples of each paver type, thickness, color, and finish. Submit samples indicating the range of color expected in the finished installation.
 - 3. Accepted samples become the standard of acceptance for the work of this Section.
 - 4. Laboratory test reports certifying compliance of manufacturer's paving bricks with ASTM C 936 and ANSI/ASTM C 902-79a.
 - 5. Manufacturers material safety data sheets for safe handling of the specified materials and products.

1.6 QUALITY ASSURANCE

- A. Paver Installation Subcontractor Qualifications:
 - 1. Utilize an installer having successfully completed concrete paver installation similar in design, material, and extent indicated on this project.
 - 2. Utilize an installer holding a current certificate from the Interlocking Concrete Pavement Institute Concrete Paver Installer Certification program.
- B. Mock-Ups:
 - 1. Install a 10' x 10' paver area.
 - 2. Use this area to determine surcharge of the bedding sand layer, joint sizes, lines, laying pattern(s), color(s) and texture of the job.
 - 3. This area will be used as the standard by which the work will be judged.
 - 4. Subject to acceptance by owner, mock-up may be retained as part of finished work.
 - 5. If mock-up is not retained, remove and properly dispose of mock-up.

1.7 DELIVERY, STORAGE, AND HANDLING

- A. General: Comply with Contract documents.
- B. Comply with manufacturer's ordering instructions and lead-time requirements to avoid construction delays.
- C. Delivery: Deliver materials in manufacturer's original, unopened, undamaged container packaging with identification tags intact.

- D. Coordinate delivery and paving schedule to minimize interference with normal use of buildings adjacent to paving.
- E. Deliver concrete pavers to the site in steel banded, plastic banded, or plastic wrapped cubes capable of transfer by forklift or clamp lift.
- F. Unload pavers at job site in such a manner that no damage occurs to the product or existing construction.
- G. Storage and Protection: Store materials in protected area such that they are kept free from mud, dirt, and other foreign materials.

1.8 ENVIRONMENTAL REQUIREMENTS

- A. Do not install in rain or snow.
- B. Do not install frozen bedding materials.

1.9 MAINTENANCE (IF REQUIRED BY OWNER)

- A. Extra materials: Provide one full pallet additional material for use by owner for maintenance and repair.
- B. Pavers shall be from the same production run as installed materials.

2. PART 2 PRODUCTS

2.1 PAVERS

- A. Manufacturer:
 - 1. Anchor Concrete Products, Abby Hart Brick & Stone Co., or equal.
- B. Paver Units:
 - 1. Paver Type: London Cobble Series or equal.
 - 2. Material Standard: Comply with material standards set forth in ASTM C 936 and ANSI/ASTM C 902-79a.
 - 3. Color: As selected by owner.
 - 4. Color Pigment Material Standard: Comply with ASTM C 979.
 - 5. Size: Per plan and/or as directed by owner.
 - 6. Average Compressive Strength (ASTM C 140): 8000 psi with no individual unit under 7200 psi.
 - 7. Average Water Absorption (ASTM C 140): 5% with no unit greater than 7%.
 - 8. Freeze/Thaw Resistance (ASTM C 67): Resistant to 50 freeze/thaw cycles with no greater than 1% loss of material. Freeze-thaw testing requirements shall be waived for applications not exposed to freezing conditions.

2.2 JOINT FILLER, BEDDING, BASE AND SUBBASE

- A. Joint Filler: Commercial grade polymeric stabilizing sand per ASTM C 131, and/or as directed by the Engineer.
- B. Bedding if required: all stone materials shall be washed with less than 1% passing the No. 200 sieve.
- C. Subbase: Existing asphalt walkway. If required, aggregates shall conform to ASTM D 448 as follows:
 - 1. Joint filler: No. 8 aggregate.
 - 2. Bedding: No. 8 aggregate.
 - 3. Base: No. 57 aggregate.
 - 4. Subbase: No. 2 aggregate.

2.3 ACCESSORIES

- A. Edge Restraints: Per plan and as directed by the Engineer.
- B. Geotextile Fabric: Mirafi 140N or equal (When required).

3. PART 3 EXECUTION

3.1 EXAMINATION

- A. General Contractor shall inspect, accept and certify in writing to the paver installation subcontractor that site conditions meet specifications for the following items prior to installation of interlocking concrete pavers.
- B. Verify that subgrade preparation, compacted density and elevations conform to specified requirements.
- C. Provide written density test results for soil subgrade to the Owner, General Contractor and paver installation subcontractor.
- D. Verify location, type, and elevations of edge restraints, concrete collars around utility structures, and drainage pipes and inlets.
- E. Do not proceed with installation of bedding and interlocking concrete pavers until subgrade soil conditions are corrected by the General Contractor or designated subcontractor.

3.2 PREPARATION

- A. Verify that the soil subgrade is free from standing water.
- B. Stockpile joint filler, base and subbase materials such that they are free from standing water, uniformly graded, free of any organic material or sediment, debris, and ready for placement.
- C. Install edge restraints per the drawings.

3.3 INSTALLATION

RECONSTRUCT EXISTING PAVED WALKS WITH PAVING STONES:

- A. Repair cracks in existing paved areas, see plan details.
- B. Place asphalt tack coat on all areas to receive new asphalt.
- C. Install a one inch thick leveling course (4,140 sq. ft.), Mix 1-4 over area to receive cobbles.
- D. Install plastic border along all edges of proposed new cobblestone pavers.
- E. Place 2" quarry dust over entire area to set cobblestone pavers.
- F. Install of cobble stone pavers of various sizes chosen by project engineer.
- G. Fill joints with polymeric sand.
- H. Reset (12) twelve storm drain inlets to new elevations after setting of cobblestone pavers.
- I. Blend topsoil and seeding into areas between top of pavers and existing grass area to drain existing drains.

RECONSTRUCT EXISTING BRICKS ON SIDES OF MONUMENTAL BENCH:

- A. Install 4-inch thick concrete base.
- B. Install 1-inch thick stone dust setting bed.
- C. Install paving stones to match those in path.

3.4 INSTALLATION OTHER (IF REQUIRED)

- A. Any excess thickness of soil applied over the excavated soil subgrade to trap sediment from adjacent construction activities shall be removed before application of the geotextile and subbase materials.
- B. Keep area where pavement is to be constructed free from sediment during entire job. Geotextile, base and bedding materials contaminated with sediment shall be removed and replaced with clean materials.
- C. Do not damage drainpipes, overflow pipes, observation wells, or any inlets and other drainage appurtenances during installation. Report any damage immediately to the project engineer.
- D. Place geotextile on bottom and sides of soil subgrade. Secure in place to prevent wrinkling from vehicle tires and tracks. Overlap a minimum of 12 in. in the direction of drainage.

- E. Open-graded subbase and base:
1. Moisten, spread and compact the No. 2 subbase in 4 to 6 in. lifts lifts without wrinkling or folding the geotextile. Place subbase to protect geotextile from wrinkling under equipment tires and tracks.
 2. For each lift, make at least two passes in the vibratory mode then at least two in the static mode with a minimum 10 t (10T) vibratory roller until there is no visible movement of the No.2 stone. Do not crush aggregate with the roller.
 3. The surface tolerance of the compacted No. 2 subbase shall be $\pm 2 \frac{1}{2}$ in. over a 10 ft straightedge.
 4. Moisten, spread and compact No. 57 base in 4 in. lifts over the compacted No. 2 subbase with a minimum 10 t (10T) vibratory roller until there is no visible movement of the No.57 stone. Do not crush aggregate with the roller.
 5. The surface tolerance the compacted No. 57 base should not deviate more than. ± 1 in. over a 10 ft straightedge.
- F. Bedding layer:
1. Moisten, spread and screed the No. 8 stone bedding material.
 2. Fill voids left by removed screed rails with No. 8 stone.
 3. The surface tolerance of the compacted surface should not deviate more than $\pm 3/8$ in. over a 10 ft straightedge.
 4. Do not subject screeded bedding material to any pedestrian or vehicular traffic before paving unit installation begins.
- G. Joint filler material:
1. Lay the pavers [paving slabs] in the pattern(s) and joint widths shown on the drawings. Maintain straight pattern lines.
 2. Fill gaps at the edges of the paved area with cut units. Cut pavers subject to tire traffic shall be no smaller than 1/3 of a whole unit.
 3. Cut pavers to be placed along the edges with a [double-bladed splitter] or masonry saw.
 4. Fill the openings and joints with No. 8 stone.
 5. Remove excess aggregate by sweeping pavers clean.
 6. Compact and seat the pavers into the bedding material using a low- amplitude, 75-90 Hz plate compactor capable of at least 4,000 lbs centrifugal compaction force. This will require at least two passes with the plate compactor.
 7. Do not compact within 6 ft of the unrestrained edges of the paving units.
 8. Apply additional aggregate to the openings and joints, filling them completely. Remove excess aggregate by sweeping and compact the pavers. This will require at least two passes with the plate compactor.
 9. All pavers within 6 ft of the laying face must be left fully compacted at the completion of each day.
 10. The final surface tolerance of compacted pavers shall not deviate more than $\pm 3/8$ in. under a 10 ft. long straightedge.
 11. The surface elevation of pavers shall be 1/8 in. to 1/4 in. above adjacent drainage inlets, concrete collars or channels.

3.5 FIELD QUALITY CONTROL

- A. After sweeping the surface clean, check final elevations for conformance to the drawings.
- B. Lippage: No greater than 1/8 in. difference in height between adjacent pavers.
- C. The surface elevation of pavers shall be 1/8 in. to 1/4 in. above adjacent drainage inlets, concrete collars or channels.

3.6 PROTECTION

- A. After work in this section is complete, the General Contractor shall be responsible for protecting work from sediment deposition and damage due to subsequent construction activity on the site.

END OF SECTION

SECTION 328400 - PLANTING IRRIGATION

PART 1 - GENERAL

1.1 RELATED DOCUMENTS

- A. Drawings and general provisions of the Contract, including General and Supplementary Conditions and Division 01 Specification Sections, apply to this Section.

1.2 SUMMARY

- A. Section Includes:
 - 1. Piping.
 - 2. Sleeving for piping.
 - 3. Manual valves.
 - 4. Automatic control valves.
 - 5. Miscellaneous piping specialties.
 - 6. Sprinklers
 - 7. Quick couplers.
 - 8. Controllers.
 - 9. Boxes for automatic control valves.
 - 10. Wiring and connections.

1.3 DEFINITIONS

- A. Circuit Piping: Downstream from control valves to sprinklers, specialties, and drain valves. Piping is under pressure during flow.
- B. Drain Piping: Downstream from circuit-piping drain valves. Piping is not under pressure.
- C. Main Piping: Downstream from point of connection to water distribution piping to, and including, control valves. Piping is under water-distribution-system pressure.
- D. Low Voltage: As defined in NFPA 70 for circuits and equipment operating at less than 50 V or for remote-control, signaling power-limited circuits.

1.4 PERFORMANCE REQUIREMENTS

- A. Irrigation zone control shall be **automatic operation with controller and automatic control valves**.
- B. Location of Sprinklers and Specialties: Design location is approximate. Make minor adjustments necessary to avoid plantings and obstructions such as signs and light standards. Maintain 100 percent irrigation coverage of areas indicated.

- C. Delegated Design: Design 100 percent coverage irrigation system, including comprehensive engineering analysis by a qualified professional engineer, using performance requirements and design criteria indicated.
- D. Water supply from a 1” domestic supply, by others. Power supply by others. Sleeving & conduit by others.

1.5 SUBMITTALS

- A. Product Data: For each type of product indicated. Include rated capacities, operating characteristics, and furnished specialties and accessories.
- B. Delegated-Design Submittal: For irrigation systems indicated to comply with performance requirements and design criteria, including analysis data signed and sealed by the qualified professional engineer responsible for their preparation.
- C. Coordination Drawings: Irrigation systems, drawn to scale, on which components are shown and coordinated with each other, using input from Installers of the items involved. Also include adjustments necessary to avoid plantings and obstructions such as signs and light standards.
- D. Qualification Data: For qualified Installer.
- E. Field quality-control reports.
- F. Operation and Maintenance Data: Include operation and maintenance manuals.

1.6 QUALITY ASSURANCE

- A. Installer Qualifications: An employer of workers that include a **Certified Irrigation Contractor (CIC), qualified by The Irrigation Association**. Proof of certification shall be submitted with the bid proposal.
- B. Electrical Components, Devices, and Accessories: Listed and labeled as defined in NFPA 70, by a qualified testing agency, and marked for intended location and application.

1.7 DELIVERY, STORAGE, AND HANDLING

- A. Deliver piping with factory-applied end caps. Maintain end caps through shipping, storage, and handling to prevent pipe-end damage and to prevent entrance of dirt, debris, and moisture.
- B. Store plastic piping protected from direct sunlight. Support to prevent sagging and bending.

1.8 PROJECT CONDITIONS

- A. Interruption of Existing Water Service: Do not interrupt water service to facilities occupied by Owner or others unless permitted under the following conditions and then only after arranging to provide temporary water service according to requirements indicated:

1. Notify **Construction Manager** no fewer than **two** days in advance of proposed interruption of water service.
2. Do not proceed with interruption of water service without **Construction Manager's** written permission.

1.9 EXTRA MATERIALS

- A. Furnish extra materials that match products installed and that are packaged with protective covering for storage and identified with labels describing contents.
 1. Sprinklers: 2 extra of each.
 2. Automatic Control Valves: 1 extra of each
 3. Keys to controller cabinet: 2

PART 2 - PRODUCTS

2.1 PIPES, TUBES, AND FITTINGS

- A. Comply with requirements in the piping schedule for applications of pipe, tube, and fitting materials, and for joining methods for specific services, service locations, and pipe sizes.
- B. Soft Copper Tube: ASTM B 88, Type L (ASTM B 88M, Type B), water tube, annealed temper.
 1. Copper Pressure Fittings: ASME B16.18, cast-copper-alloy or ASME B16.22, wrought-copper solder-joint fittings. Furnish wrought-copper fittings if indicated.
 2. Bronze Flanges: ASME B16.24, Class 150, with solder-joint end.
 3. Copper Unions: MSS SP-123, cast-copper-alloy, hexagonal-stock body, with ball-and-socket, metal-to-metal seating surfaces and solder-joint or threaded ends.
- C. PVC Pipe: ASTM D 1785, PVC 1120 compound, SDR 21, Class 200.
 1. PVC Socket Fittings: ASTM D 2466, Schedule 40.
 2. PVC Threaded Fittings: ASTM D 2464, Schedule 80.
- D. Poly Pipe: ASTM D2239, 100 PSI.
 1. Insert Fittings & Saddles

2.2 PIPING JOINING MATERIALS

- A. Metal, Pipe-Flange Bolts and Nuts: ASME B18.2.1, carbon steel unless otherwise indicated.
- B. Brazing Filler Metals: AWS A5.8/A5.8M, BCuP Series, copper-phosphorus alloys for general-duty brazing unless otherwise indicated.
- C. Solder Filler Metals: ASTM B 32, lead-free alloys. Include water-flushable flux according to ASTM B 813.

- D. Solvent Cements for Joining PVC Piping: ASTM D 2564. Include primer according to ASTM F 656.
- E. Ear clamps for insert fittings for Poly Pipe

2.3 SLEEVING FOR PIPING

- A. Standard: ASTM D 1785, SDR 21, Class 200 PVC Pipe.

2.4 MANUAL VALVES

- A. PVC Ball Valves:

1. Manufacturers: Subject to compliance with requirements.
2. Basis-of-Design Product: Subject to compliance with requirements, provide or comparable product by one of the following:
 - a. Dura Plastics.

2.5 AUTOMATIC CONTROL VALVES

- A. Plastic, Automatic Control Valves:

1. Manufacturers: Subject to compliance with requirements.
2. Basis-of-Design Product: Subject to compliance with requirements, provide or comparable product by one of the following:
 - a. Hunter Industries Incorporated – PGV & ICV
 - b. Rainbird Corporation – DV & PEB
 - c. Toro – EZF & P220
3. Description: Molded-plastic body, normally closed, diaphragm type with manual-flow adjustment, and operated by 24-V ac solenoid.

2.6 MISCELLANEOUS PIPING SPECIALTIES

- A. Water Hammer Arresters: ASSE 1010 or PDI WH 201, with bellows or piston-type pressurized cushioning chamber and in sizes complying with PDI WH 201, Sizes A to F.
- B. Pressure Gages: ASME B40.1. Include 4-1/2-inch- (115-mm-) diameter dial, dial range of two times system operating pressure, and bottom outlet.
- C. Pressure reducer, if required.

2.7 SPRINKLERS

- A. General Requirements: Designed for uniform coverage over entire spray area indicated at available water pressure.

B. Spray Heads:

1. Manufacturers: Subject to compliance with requirements.
2. Basis-of-Design Product: Subject to compliance with requirements, provide or comparable product by one of the following:
 - a. Hunter Industries Incorporated –PROS
 - b. Rainbird Corporation – 1800
 - c. Toro Co. – 570Z PRX
3. Description:
 - a. Body Material: ABS.
 - b. Nozzle: Plastic, MP Rotator 1000 (to 15') and strip, by Hunter Industries.
 - c. Retraction Spring: Stainless steel.
 - d. Internal Parts: Corrosion resistant.
4. Capacities and Characteristics:
 - a. Flow: .16 to 4.2 GPM
 - b. Pop-up Height: 4" & 12".
 - c. Arc: 0 to 360 degrees.
 - d. Radius: 0' to 30'
 - e. Inlet: 1/2" IPS

2.8 CONTROLLERS

- A. Manufacturers: Subject to compliance with requirements.
- B. Basis-of-Design Product: Subject to compliance with requirements, or comparable product by one of the following:
 1. Hunter Industries Incorporated - I Core.
 2. Rain Bird Corporation – ESPLXME.
 3. The Toro Co. - CC
- C. Description:
 1. Controller Stations for Automatic Control Valves. Include switch for manual or automatic operation of each station.
 2. Exterior Control Enclosures: NEMA 250, Type 4, weatherproof, with locking cover and **two** matching keys; include provision for grounding.
 - a. Body Material **Molded plastic.**
 - b. Mounting: **Surface type for wall.**
 3. Control Transformer: 24-V secondary, with primary fuse.

4. Timing Device: Adjustable, 24-hour, 14-day clock, with automatic operations to skip operation any day in timer period, to operate every other day, or to operate two or more times daily.
 - a. Manual or Semiautomatic Operation: Allows this mode without disturbing preset automatic operation.
 - b. Nickel-Cadmium Battery and Trickle Charger: Automatically powers timing device during power outages.
 - c. Surge Protection: Metal-oxide-varistor type on each station and primary power.
5. Hunter Solar Sync
6. Wiring: UL 493, Type UF #18 gauge multi strand, with solid-copper conductors; insulated cable; suitable for direct burial.
 - a. Splicing Materials: Manufacturer's packaged kit consisting of insulating, spring-type connector or crimped joint and epoxy resin moisture seal; suitable for direct burial.

2.9 BOXES FOR AUTOMATIC CONTROL VALVES

A. Plastic Boxes:

1. Manufacturers: Subject to compliance with requirements.
 - a. Armorcast Products Company.
 - b. Carson Industries LLC.
 - c. Orbit Irrigation Products, Inc.
 - d. Dura Plastics.
2. Description: Box and cover, with open bottom and openings for piping; designed for installing flush with grade.
 - a. Size: As required for valves and service.
 - b. Shape: **[Round]** **[Square]** **[Rectangular]**.
 - c. Sidewall Material: **PE**.
 - d. Cover Material: **PE**.
 - 1) Lettering: "**[VALVE BOX]** **[IRRIGATION]**."

2.10 BACKFLOW

1. Manufacturers: Subject to compliance with requirements.
 - a. Conbraco (Febco)
2. Description: Backflow shall be a reduced pressure type..
 - a. Size: 1".
 - b. Shape: inline or angle.
 - c. Sidewall Material: **Brass or bronze**.

PART 3 - EXECUTION

3.1 EARTHWORK

- A. Excavating, trenching, and backfilling are specified in Section 02220.
- B. Install warning tape directly above pressure piping, **12 inches** below finished grades, except 6 inches below subgrade under pavement and slabs.
- C. Provide minimum cover over top of underground piping according to the following:
 - 1. Irrigation Main Piping: Minimum depth of 18 **inches** below finished grade
 - 2. Circuit Piping: 12 **inches**
 - 3. Sleeves: **24 inches**

3.2 PREPARATION

- A. Set stakes to identify locations of proposed irrigation system. Obtain Architect's approval before excavation.

3.3 PIPING INSTALLATION

- A. Location and Arrangement: Drawings indicate location and arrangement of piping systems. Install piping as indicated unless deviations are approved on Coordination Drawings.
- B. Install piping at minimum uniform slope of 0.5 percent down toward drain valves.
- C. Install piping free of sags and bends.
- D. Install groups of pipes parallel to each other, spaced to permit valve servicing.
- E. Install fittings for changes in direction and branch connections.
- F. Install underground thermoplastic piping according to ASTM D 2774[**and ASTM F 690**].
- G. Install expansion loops in control-valve boxes for plastic piping.
- H. Lay piping on solid subbase, uniformly sloped without humps or depressions.
- I. Install PVC piping in dry weather when temperature is above 40 deg F (5 deg C). Allow joints to cure at least 24 hours at temperatures above 40 deg F (5 deg C) before testing.
- J. Install piping in sleeves under parking lots, roadways, and sidewalks.
- K. Install sleeves made of Class 200 PVC pipe and socket fittings, and solvent-cemented joints.
- L. Install transition fittings for plastic-to-metal pipe connections according to the following:
 - 1. Underground Piping:

- a. NPS 1-1/2 (DN 40) and Smaller: Plastic-to-metal transition fittings.
 - b. NPS 2 (DN 50) and Larger: AWWA transition couplings.
2. Aboveground Piping:
- a. NPS 2 (DN 50) and Smaller: Plastic-to-metal transition [fittings] [unions].
 - b. NPS 2 (DN 50) and Larger: Use dielectric flange kits with one plastic flange.

3.4 JOINT CONSTRUCTION

- A. Ream ends of pipes and tubes and remove burrs. Bevel plain ends of steel pipe.
- B. Remove scale, slag, dirt, and debris from inside and outside of pipe and fittings before assembly.
- C. Threaded Joints: Thread pipe with tapered pipe threads according to ASME B1.20.1. Cut threads full and clean using sharp dies. Ream threaded pipe ends to remove burrs and restore full ID. Join pipe fittings and valves as follows:
 - 1. Apply appropriate tape or thread compound to external pipe threads unless dry seal threading is specified.
 - 2. Damaged Threads: Do not use pipe or pipe fittings with threads that are corroded or damaged. Do not use pipe sections that have cracked or open welds.
- D. Copper-Tubing Brazed Joints: Construct joints according to CDA's "Copper Tube Handbook," using copper-phosphorus brazing filler metal.
- E. Copper-Tubing Soldered Joints: Apply ASTM B 813 water-flushable flux to tube end unless otherwise indicated. Construct joints according to ASTM B 828 or CDA's "Copper Tube Handbook," using lead-free solder alloy (0.20 percent maximum lead content) complying with ASTM B 32.
- F. PVC Piping Solvent-Cemented Joints: Clean and dry joining surfaces. Join pipe and fittings according to the following:
 - 1. Comply with ASTM F 402 for safe-handling practice of cleaners, primers, and solvent cements.
 - 2. PVC Pressure Piping: Join schedule number, ASTM D 1785, PVC pipe and PVC socket fittings according to ASTM D 2672. Join other-than-schedule-number PVC pipe and socket fittings according to ASTM D 2855.
 - 3. PVC Nonpressure Piping: Join according to ASTM D 2855.

3.5 VALVE INSTALLATION

- A. Install in underground piping in boxes for automatic control valves. Install DBY splice kits at each automatic control valve. Fittings and nipples as required.

3.6 SPRINKLER INSTALLATION

- A. Install sprinklers after hydrostatic test is completed.
- B. Install sprinklers at manufacturer's recommended heights. Install on flexible swing joints.
- C. Locate part-circle sprinklers to maintain a minimum distance of 4 inches (100 mm) from walls and 2 inches (50 mm) from other boundaries unless otherwise indicated.

3.7 AUTOMATIC IRRIGATION-CONTROL SYSTEM INSTALLATION

- A. Equipment Mounting: Install interior controllers on **wall**.
 - 1. Place and secure anchorage devices. Use setting drawings, templates, diagrams, instructions, and directions furnished with items to be embedded.
 - 2. Install anchor bolts to elevations required for proper attachment to supported equipment.
- B. Equipment Mounting: Install exterior freestanding controllers on precast concrete bases.
 - 1. Place and secure anchorage devices. Use setting drawings, templates, diagrams, instructions, and directions furnished with items to be embedded.
 - 2. Install anchor bolts to elevations required for proper attachment to supported equipment.
- C. Install control cable in same trench as irrigation. Provide conductors of size not smaller than recommended by controller manufacturer. Install cable in separate sleeve under paved areas. Use expansions loops, by wrapping around a 1" dowel 12" long, every 500'.

3.8 CONNECTIONS

- A. Comply with requirements of utility company supplying water from exterior water service piping, water meters, protective enclosures, and backflow preventers. Drawings indicate general arrangement of piping, fittings, and specialties.
- B. Install piping adjacent to equipment, valves, and devices to allow service and maintenance.
- C. Connect wiring between controllers and automatic control valves.

3.9 IDENTIFICATION

- A. Identify system components. Piping materials shall bear label, stamp, or other markings of specified testing agency.
- B. Equipment Nameplates and Signs: Install engraved plastic-laminate equipment nameplates and signs on each automatic controller.
 - 1. Text: In addition to identifying unit, distinguish between multiple units, inform operator of operational requirements, indicate safety and emergency precautions, and warn of hazards and improper operations.

- C. Warning Tapes: Arrange for installation of continuous, underground, detectable warning tapes over underground piping during backfilling of trenches.

3.10 FIELD QUALITY CONTROL

- A. Manufacturer's Field Service: Engage a factory-authorized service representative to inspect, test, and adjust components, assemblies, and equipment installations, including connections.
- B. Perform tests and inspections.
 - 1. Manufacturer's Field Service: Engage a factory-authorized service representative to inspect components, assemblies, and equipment installations, including connections, and to assist in testing.
- C. Tests and Inspections:
 - 1. Leak Test: After installation, charge system and test for leaks. Repair leaks and retest until no leaks exist.
 - 2. Operational Test: After electrical circuitry has been energized, operate controllers and automatic control valves to confirm proper system operation.
 - 3. Test and adjust controls and safeties. Replace damaged and malfunctioning controls and equipment.
- D. Any irrigation product will be considered defective if it does not pass tests and inspections.
- E. Prepare test and inspection reports.

3.11 STARTUP SERVICE

- A. Startup service shall be the responsibility of the irrigation installer.
 - 1. Complete installation and startup checks according to manufacturer's written instructions.
 - 2. Verify that controllers are installed and connected according to the Contract Documents.
 - 3. Verify that electrical wiring installation complies with manufacturer's submittal.

3.12 ADJUSTING

- A. Adjust settings of controllers.
- B. Adjust automatic control valves to provide flow rate at rated operating pressure required for each sprinkler circuit.
- C. Adjust sprinklers and devices, except those intended to be mounted aboveground, so they will be flush with finish grade.

3.13 CLEANING

- A. Flush dirt and debris from piping before installing sprinklers and other devices.

3.14 DEMONSTRATION

- A. Train the Owner's maintenance personnel to adjust, operate, and maintain this system.

3.15 PIPING SCHEDULE

- A. Install components having pressure rating equal to or greater than system operating pressure.
- B. Piping in control-valve boxes and aboveground may be joined with flanges or unions instead of joints indicated.
- C. Underground irrigation main piping:
 - 1. SDR 21, PVC, pressure-rated pipe; Schedule 80, PVC socket fittings; and solvent-cemented joints.
- D. Underground Circuit piping,
 - 1. POLY pipe and insert & saddle fittings.

END OF SECTION 328400

SECTION 329210 - EROSION CONTROL

1. PART 1 GENERAL

1.1 WORK INCLUDED

- A. Erosion Control.
- B. Seeding, topsoil spreading, fertilizing, liming, and mulching for all disturbed areas of the work except for areas proposed to be covered by concrete, bituminous paving, or restoration of existing paved surfaces.

1.2 RELATED WORK

- A. Section 022210 – Site Grading
- B. Section n 02220 – Earthwork for Utilities

1.3 REFERENCES

- A. Standards for Soil Erosion and Sediment Control in New Jersey.
- B. New Jersey Soil and Erosion and Sediment Control Act, Chapter 251, P.L., 1975 (NJSA 4:24-39 et. seq.).
- C. New Jersey Department of Transportation Standard Specifications for Road and Bridge Construction, 2007 Edition.

1.4 DEFINITIONS

- A. Weeds: Include Dandelion, Jimsonweed, Quackgrass, Horsetail, Morning Glory, Rush Grass, Mustard, Lambsquarter, Chickweed, Cress, Crabgrass, Canadian Thistle, Nutgrass, Poison Oak, Blackberry, Tansy Ragwort, Bermuda Grass, Johnson Grass, Poison Ivy, Nut Sedge, Nimble Will, Bindweed, Bent Grass, Wild Garlic, Perennial Sorrel, and Brome Grass.

1.5 QUALITY ASSURANCE

- A. Provide seed mixture in containers showing percentage of seed mix.
- B. Deliver grass seed mixture in sealed containers.
- C. Deliver fertilizer in waterproof bags showing weight, chemical analysis, and name of manufacturer.

1.6 REGULATORY REQUIREMENTS

- A. Comply with regulatory agencies for fertilizer and herbicide composition.
- B. Provide certificate of compliance from authority having jurisdiction indicating approval of seed mixture.

1.7 SUBMITTALS

- A. Submit product data for seed mix, fertilizer and silt fence.

1.8 COORDINATION

- A. Coordinate the work of this Section with installation of all other Work.

2. PART 2 PRODUCTS

2.1 SEEDING

- A. Topsoil shall be fine, natural sandy loam surface material suitable for the growth of vegetation. Topsoil shall be free from organic matter, debris, stiff clay, subsoil, stones larger than 1 inch, and all other undesirable debris. The topsoil furnished shall have a pH of between 5.8 and 7.0 and shall have an organic content of at least 2.75%.
- B. Limestone shall be pulverized as specified in NJDOT Section 909.03. Fertilizer shall be a complete commercial fertilizer, proportioned by weight to consist of Nitrogen, Phosphoric Acid, and Potash respectively, in accordance with NJDOT Section 909.02.
- C. Seed mixture requirements (See section 3.4)

2.2 ACCESSORIES

- A. Mulching Material for seeded areas: Unrotted dry hay free from weeds and foreign matter detrimental to plant life.
- B. Mulch Anchoring: Non-petroleum based liquid mulch binder per Section 3.13 of the Standards for Soil Erosion and Sediment Control in New Jersey.
- C. Water: Clean, fresh and free of substances or matter which could inhibit vigorous growth of grass.
- D. Stakes: Softwood lumber, chisel pointed.
- E. Silt Fence: NJDOT Specification Section 158 or equal.

3. PART 3 EXECUTION

3.1 GENERAL

- A. Restore disrupted areas to an acceptable condition during and at the conclusion of construction work.
- B. Silt fences shall be installed as needed on the down-gradient side of the site or disturbed area to prevent sediment from being transported offsite.
- C. All soil erosion and sediment control practices shall be installed prior to any major soil disturbances in their proper sequence, and maintained until permanent protection is established.

- D. All paved roadways must be kept clean at all times.
- E. All topsoil stripped and stockpiled for use in final grading shall receive temporary seeding and the base protected with hay bale barrier or sediment fence.
- F. The site shall at all times be graded and maintained such that all storm water runoff is diverted to soil erosion and sediment control facilities.
- G. All storm drainage inlets shall be protected with a fabric filter to prevent entry of sediment control by runoff water until vegetation is established.

3.2 PREPARATION OF SUBSOIL

- A. Prepare subsoil to eliminate uneven areas and low spots. Maintain lines, levels, profiles and contours. Make changes in grade gradual. Blend slopes into level areas. Spread and compact 6 inches of topsoil in all disturbed areas to receive seeding, to meet required lines and grades.
- B. Remove foreign materials, weeds, and undesirable plants and their roots. Remove contaminated subsoil.
- C. Scarify the surface to be seeded to a depth of 3/4 inch in a direction parallel to the contours immediately prior to seeding.
- D. Apply water with a fine spray immediately after each area has been mulched.

3.3 FERTILIZING

- A. Apply fertilizer in accordance with manufacturer's instructions.
- B. Apply after smooth raking of topsoil [and prior to roller compaction].
- C. Do not apply fertilizer at same time or with same machine as will be used to apply seed.
- D. Mix thoroughly into upper 2 inches of topsoil.
- E. Lightly water to aid the dissipation of fertilizer.

3.4 SEEDING AND MULCHING

- A. All disturbed areas shall be immediately stabilized in accordance with C or D below as applicable.
- B. Permanent vegetation to be seeded on all exposed areas within 10 days after final grading.
- C. Seed Mixtures to be as follows:
 - 1. Temporary seeding:
 - a. Lime: 135 pounds per 1,000 S.F. ground limestone.

- b. Fertilizer: 14 pounds per 1,000 S.F. using a 10-20-10 analysis or an equivalent.
- c. Seed: Date and rate of application according to standards for Soil Erosion and Sediment Control in New Jersey, annual ryegrass at 1.0 pounds per 1,000 S.F. Mulch to be applied after seeding.
- d. Mulch: 80 pounds of salt hay per 1,000 S.F. secured with a liquid mulch binder.

2. Permanent seeding:

- a. Lime: 3 tons per acre of ground limestone incorporated 4" into soil.
- b. Fertilizer: 600 pounds per 1,000 S.F. of a 10-20-10 analysis or equivalent incorporated 4" into soil.
- c. Seed: Date 3/2 - 5/15 and 8/15 - 9/30, 60 pounds of Kentucky Bluegrass, 20 pounds of Red Fescue, and 40 pounds of a perennial ryegrass per acre. Mulch to be applied after seeding.
- d. Mulch: 80 pounds of salt hay per 1,000 S.F. secured with a liquid mulch binder.

- D. Between October 15 and March 15 mulch may be applied until permanent vegetation is established.

3.5 PROTECTION

- A. Protect finished installation from damages or displacement.

3.6 CLEANING

- A. Clean job site of rubbish, excess material, and equipment. Restore items damaged by construction or improper restoration.

END OF SECTION

SECTION 331213

FOUNTAINS

PART 1 - GENERAL

1.1 SUMMARY

- A. Section includes design and complete installation of decorative fountains complete as shown on Drawings and as specified, including:
 - 1. Equipment and accessories.
 - 2. Mechanical, electrical, and plumbing work.

- B. Related Sections include:
 - 1. Section 03001 - Concrete for Site Work.
 - 2. Section 321445 – Brick Pavers, Reset Brick and Various Pavers.
 - 3. Section 265600 – Exterior Lighting.

1.2 DEFINITIONS

- A. Fountains, pools, and water features include concrete fountains and linings, unit masonry basins and cast stone trim, decorative rock work, waterproofing, water pump and filters, sensors and controllers, valves, nozzles, drains, piping, valve and junction boxes, electrical power and lighting, and other incidental work.

1.3 PERFORMANCE REQUIREMENTS

- A. Structural Performance: Provide capable of withstanding the effects of gravity loads under conditions indicated.

- B. Operational Performance:
 - 1. Design systems and select components to achieve indicated effects with reliable operation and minimal maintenance.

 - 2. Design for satisfactory operation in ambient temperatures from 35 deg F to 110 deg F.

1.4 SUBMITTALS

- A. Product Data: For each type of product required. Where applicable, include construction details, material descriptions, dimensions of individual components and profiles, and finishes.
 - 1. For pumps and light fixtures, include wiring diagrams, power requirements, rated capacities, furnished specialties, and accessories.
- B. Shop Drawings: Include plans, elevations, sections, details, and attachments to other Work.
 - 1. Include piping layout for plumbing work indicating location of valves, pumps, piping, and nozzles.
 - 2. Include wiring diagrams indicating connections to electrical service and type of service required for electrical components including pumps, sensors, controllers, and lighting.
- C. Samples for Initial Selection: For each type of finish material required.
- D. Samples for Verification: For each type of finish material required.
- E. Maintenance Data: For operating components of fountains, pools, and water features to include in maintenance manuals.
- F. Warranties: Special warranties specified in this Section.

1.5 QUALITY ASSURANCE

- A. Installer Qualifications: An installer of decorative fountains and pools with not less than 5 years experience executing work of similar scope.
 - 1. Installer's responsibilities include design, fabricating, and installing fountains, pools, and water features and providing professional engineering services needed to assume engineering responsibility.
- B. Electrical Components, Devices, and Accessories: Listed and labeled as defined in NFPA 70, Article 100, by a testing agency acceptable to authorities having jurisdiction, and marked for intended use.
- C. Product Options: Information on system's aesthetic effects and performance characteristics. Aesthetic effects to be indicated by dimensions, arrangements, alignment, and profiles of components and assemblies as they relate to sightlines, to one another, and to adjoining construction. Performance characteristics to be indicated by criteria subject to verification by one or more methods including field testing, and in-service performance.

1. Do not modify intended aesthetic effects except with Landscape Architect's or engineer approval. If modifications are proposed, submit comprehensive explanatory data for review.
- D. Pre-installation Conference: Conduct conference at Project site to comply with requirements of the contract documents for Project Management and Coordination.
1. Review location for fountain.
 2. Review required coordination with other Work.
 3. Review locations and sizes for required utilities including service requirements.

1.6 PROJECT CONDITIONS

- A. Field Measurements:
1. Indicate measurements on Shop Drawings.
 2. Established Dimensions: Where field measurements cannot be made without delaying the Work, establish dimensions and proceed with fabricating without field measurements. Coordinate plaza construction to ensure that actual dimensions correspond to established dimensions.

1.7 WARRANTY

- A. Special Warranty: Installer's standard form in which Installer agrees to repair or replace fountain components that fails in materials or workmanship within specified warranty period.
1. Failures include, but are not limited to, the following:
 - a. Structural failures including cracking in cast stone and ceramic tile finishes.
 - b. Leaking through fountain structure, piping, or waterproof membranes.
 - c. Faulty operation of nozzles, pumps, filters, and electrical lighting.
 2. Warranty Period: 2 years from date of Substantial Completion.
- B. Special Warranty for Operating Components: Manufacturer's standard form in which manufacturer agrees to repair or replace components that fail in materials or workmanship within specified warranty period.
1. Components:
 - a. Pumps.
 - b. Filters.
 - c. Electrical light fixtures.
 2. Warranty Period: 5 years from date of Substantial Completion.

PART 2 - PRODUCTS

2.1 PRODUCTS

- A. Provide products by named manufacturer shown on the plans or comparable products approved by the Engineer.

2.2 PIPES, TUBES, AND FITTINGS

- A. PVC Pipe: ASTM D 1785, PVC 1120 compound, Schedule 40.
 - 1. PVC Socket Fittings, Schedule 40: ASTM D 2466.
- B. PVC, Pressure-Rated Pipe: ASTM D 2241, PVC 1120 compound, SDR 26.
 - 1. PVC Socket Fittings, Schedule 80: ASTM D 2467.
- C. Solvent Cements for Joining PVC Piping: ASTM D 2564. Include primer according to ASTM F 656.

PART 3 - EXECUTION

3.1 EARTHWORK

- A. Refer to Section 02220 – earthwork for Utilities.

3.2 PREPARATION

- A. Set stakes to identify location of proposed fountain. Obtain Engineer's approval before excavation.

3.3 INSTALLATION

- A. General: Install fountains, pools, and water features in locations indicated in accordance with approved Shop Drawings. Comply with manufacturer's written installation instructions unless more stringent requirements are indicated.

- B. Utility Connections: Make water and electrical connections to equipment and fixtures required for fountains and water features.
- C. In-Ground Vault and Box Installation: Install in approved locations and at approved elevations.
- D. Equipment Installation:
 - 1. Install equipment level and plumb, unless otherwise indicated.
 - 2. Install equipment to facilitate service, maintenance, and repair or replacement of components. Connect equipment for ease of disconnecting, with minimum interference with other installations. Extend grease fittings to an accessible location.
 - 3. Install equipment to allow right of way to piping systems installed at required slope.

3.4 DEMONSTRATION

- A. Train Owner's maintenance personnel to adjust, operate, and maintain pumps, filters, programmable components, and lighting.

END OF SECTION 331213

INSTALLATION OF GARDEN SPRINKLER SYSTEM

AT CHATFIELD GARDENS LOCATED IN WARINANCO PARK BOROUGH OF ROSELLE, UNION COUNTY, NEW JERSEY FOR THE DEPARTMENT OF ECONOMIC DEVELOPMENT DIVISION OF ENGINEERING



UNION COUNTY OFFICIALS BOARD OF CHOSEN FREEHOLDERS

MOHAMED S. JALLOH, CHAIRMAN
BRUCE H. BERGEN, VICE CHAIRMAN
LINDA CARTER, FREEHOLDER
ANGEL G. ESTRADA, FREEHOLDER
SERGIO GRANADOS, FREEHOLDER
CHRISTOPHER HUDAK, FREEHOLDER
BETTE JANE KOWALSKI, FREEHOLDER
ALEXANDER MIRABELLA, FREEHOLDER
VERNELL WRIGHT, FREEHOLDER

CLERK OF THE BOARD
JAMES E. PELLETTIERE

COUNTY MANAGER
ALFRED J. FAELLA

DEPARTMENT OF ECONOMIC DEVELOPMENT
WILLIAM REYES, JR, DEPUTY COUNTY MANAGER
DIRECTOR OF ECONOMIC DEVELOPMENT

COUNTY ENGINEER
DIVISION OF ENGINEERING
THOMAS O. MINEO, P.E.




LOCATION MAP
N.T.S.

SHEET INDEX			
SHEET NO.	DESCRIPTION	PREPARED	LAST REVISED
1	COVER SHEET	12/29/14	
2	RECONSTRUCTION PLANS & DETAILS	12/29/14	
3	IRRIGATION PLAN & DETAILS	12/29/14	

COPYRIGHT © 2008 HARBOR CONSULTANTS INC. ALL RIGHTS RESERVED.
 THE COPYING OR REUSE OF THIS DOCUMENT, OR PORTIONS THEREOF, FOR OTHER THAN THE ORIGINAL PROJECT OR
 THE PURPOSE ORIGINALLY INTENDED, WITHOUT THE WRITTEN PERMISSION OF HARBOR CONSULTANTS INC. IS PROHIBITED.

REV.	DATE	DESCRIPTION	CHK'D.	APP'VD.



Harbor Consultants Inc.
Engineers & Surveyors
320 NORTH AVENUE EAST
CRANFORD, N.J. 07016
Phone (908) 276-2715 Fax (908) 709-1738
Email: info@hccig.net

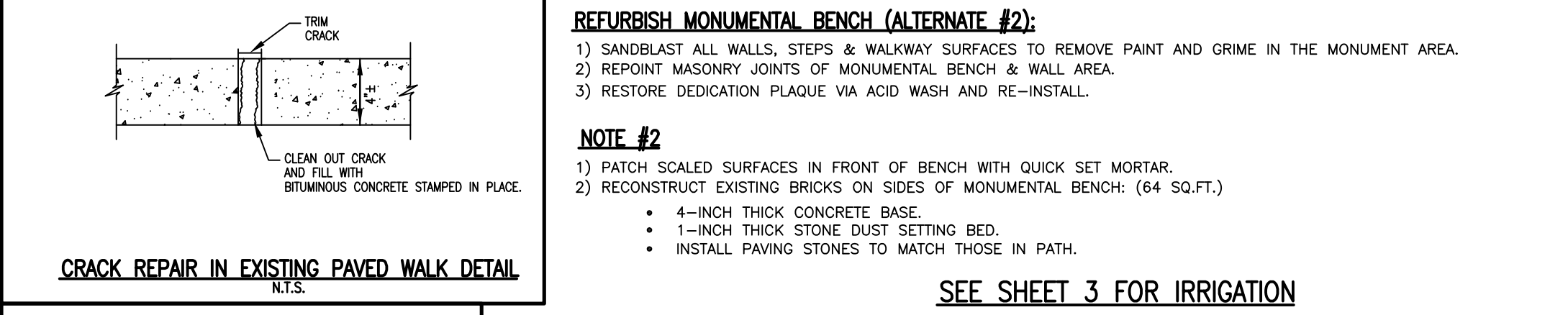
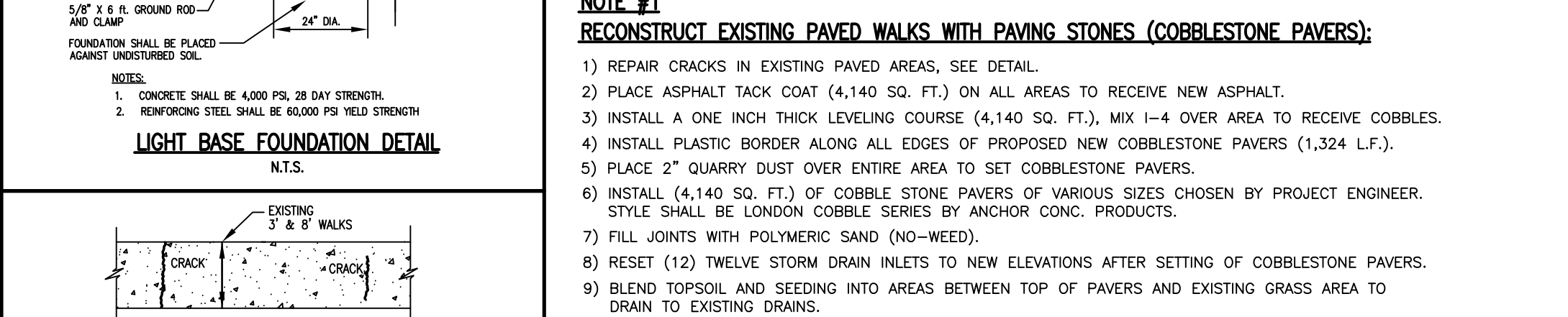
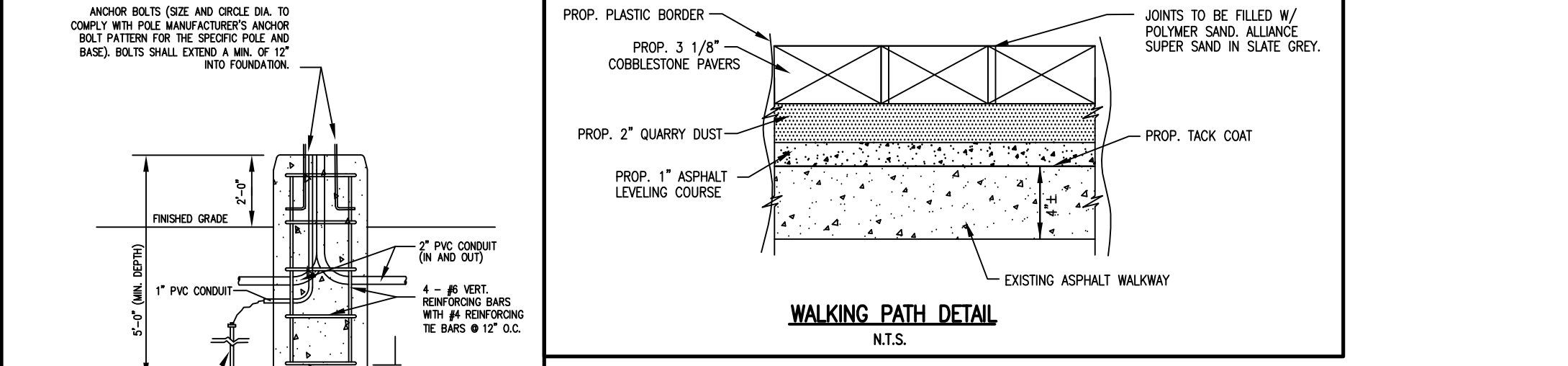
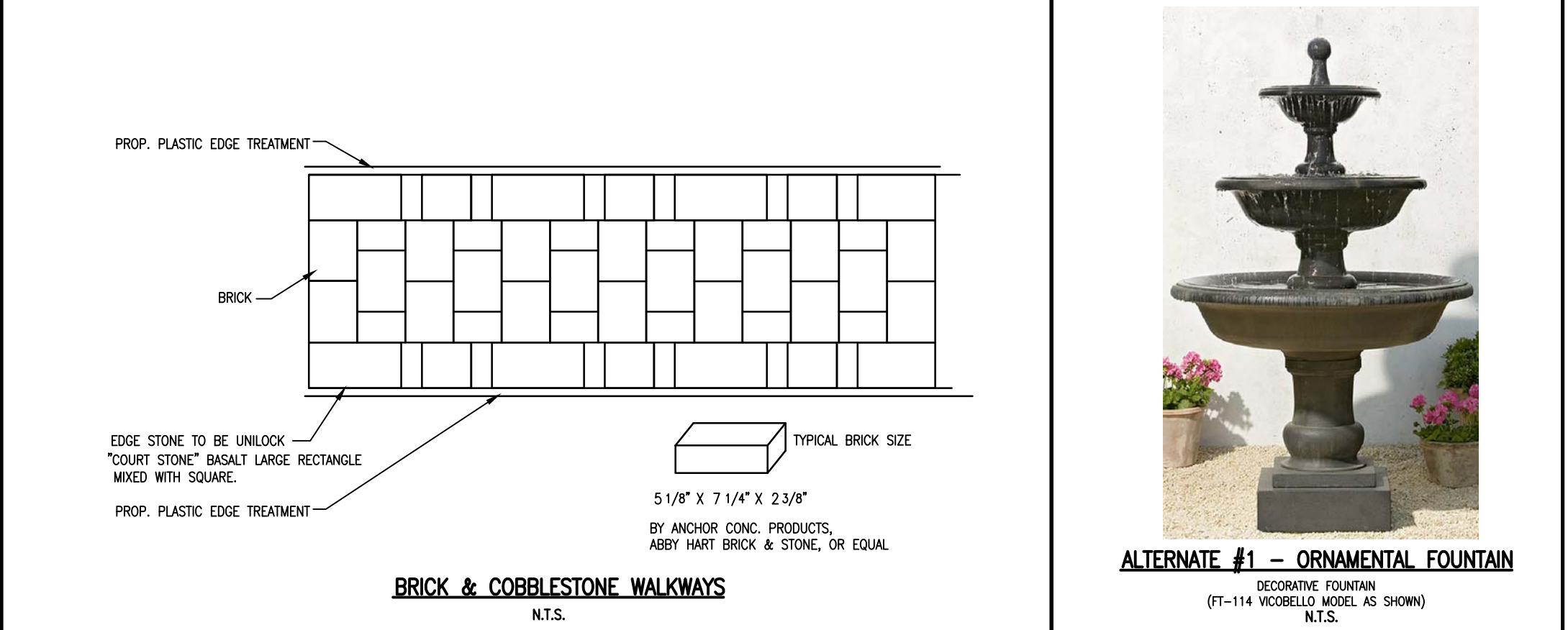
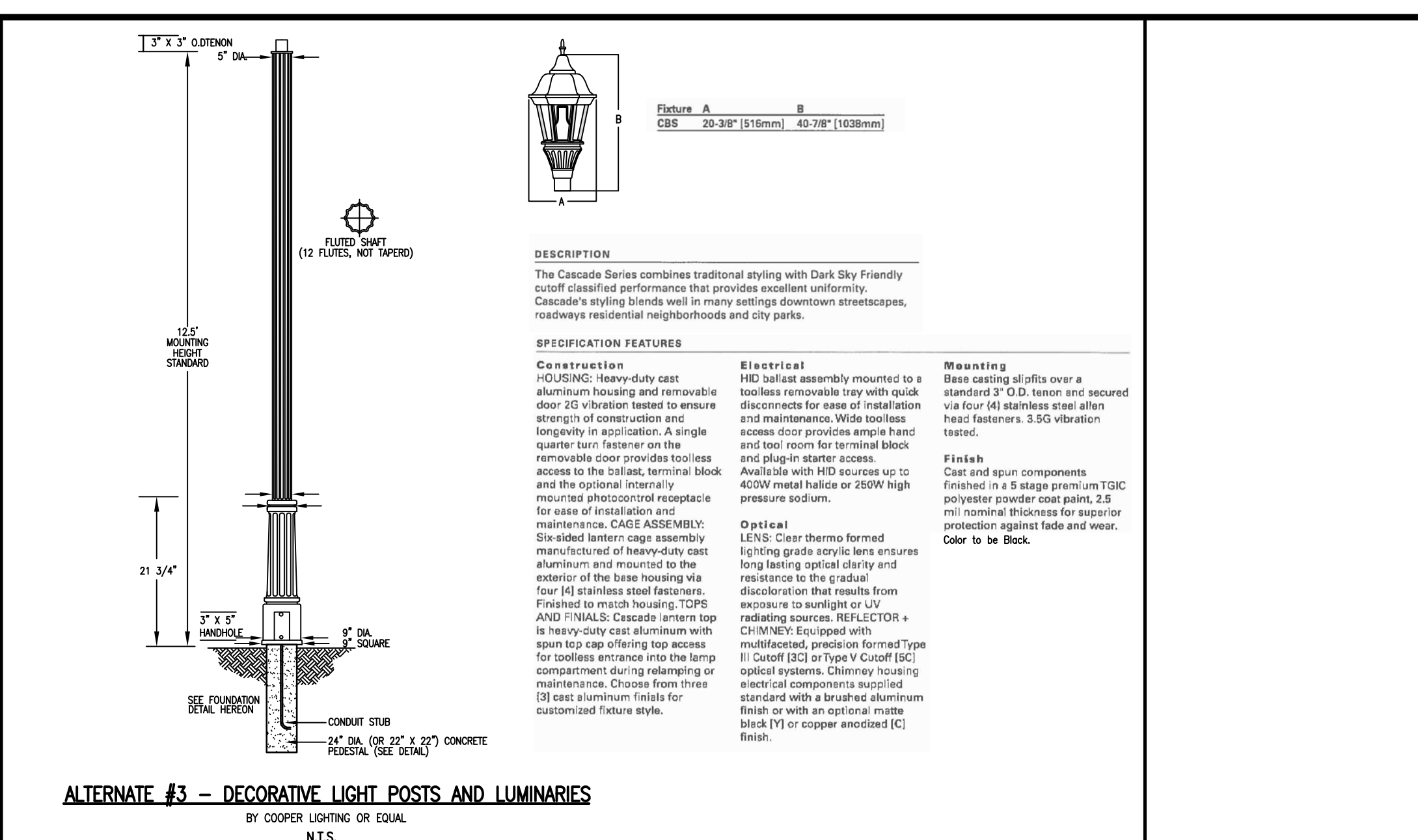
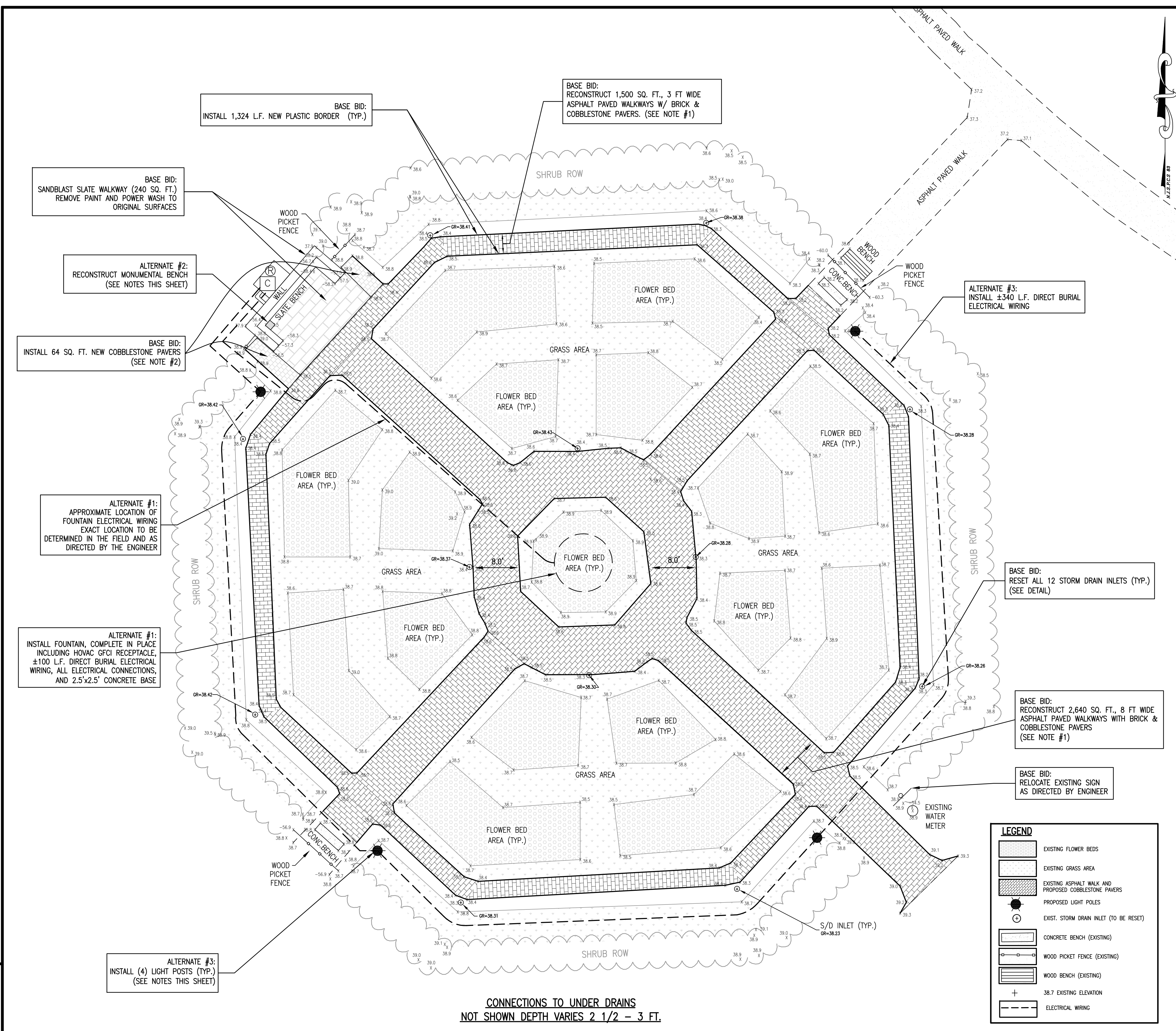
1

VICTOR E. VINEGRA
PROFESSIONAL ENGINEER & LAND SURVEYOR
NEW JERSEY LICENSE No. 34460

INSTALLATION OF GARDEN SPRINKLER SYSTEM
COVER SHEET
CHATFIELD GARDENS, WARINANCO PARK
LOT 1, BLOCK 7601

BOROUGH OF ROSELLE	COUNTY OF UNION	NEW JERSEY
SCALE: N.T.S.	DATE: 12/29/14	DESIGNED BY: V.V.
		DRAWN BY: M.P.C.
		WORK FILE: Cover
		CERTIFICATE OF AUTHORIZATION No. 24GA27962100
		PROJECT No. 2014022

PREPARED DECEMBER 2014



DIG SAFELY - NEW JERSEY

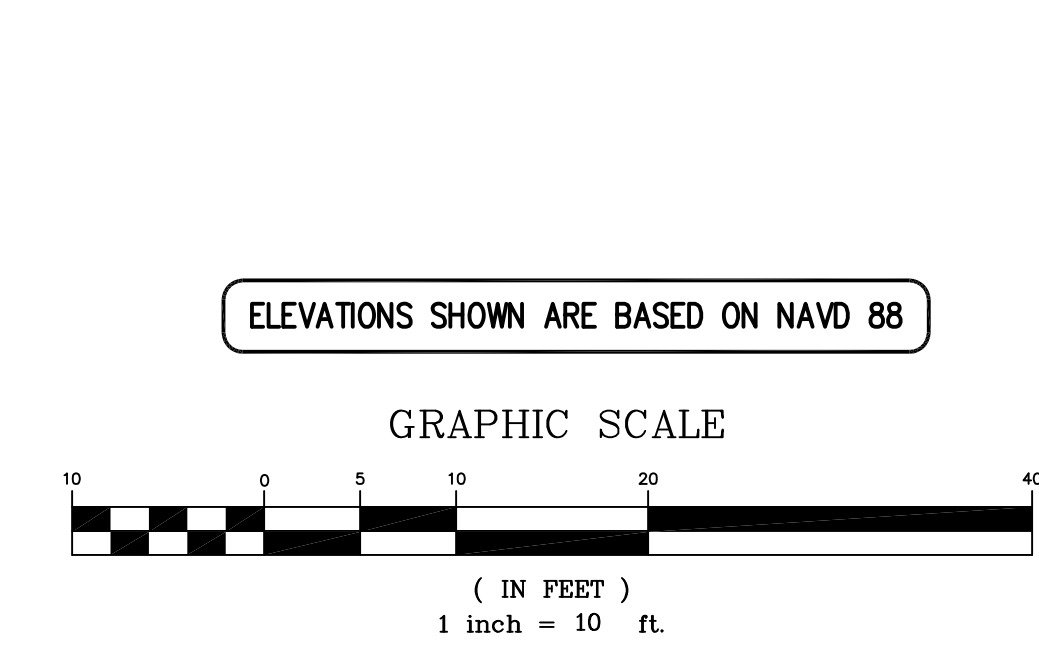
CALL BEFORE YOU DIG
1-800-272-1000
IT'S THE LAW

Dig Safely

NEW JERSEY ONE CALL
CONTRACTORS SHALL CALL 1-800-272-1000
MINIMUM THREE DAYS, MAXIMUM 10 DAYS NOTICE PRIOR TO BEGINNING EXCAVATION

- DEMOLITION NOTES:**
- WORK TO BE IN ACCORDANCE WITH ALL LOCAL AND STATE RULES AND REGULATIONS AND THE OCCUPATIONAL SAFETY AND HEALTH ADMINISTRATION (OSHA).
 - PROTECT AT ALL TIMES ADJACENT PROPERTIES AND PUBLIC RIGHT-OF-WAYS FROM DAMAGE, DUST AND DEBRIS. PROVIDE FOR THE SAFETY OF PEDESTRIANS AT ALL TIMES.
 - ALL UNDERGROUND PIPING TO BE REMOVED SHALL BE CAPPED AT THE PROPERTY LINE OR AS DIRECTED BY THE ENGINEER.
 - THE USE OF EXPLOSIVES IS PROHIBITED WITHOUT THE REQUIRED LOCAL AND STATE PERMITS.
 - THE LOCATION OF ALL UNDERGROUND UTILITIES ARE SHOWN FOR REFERENCE PURPOSES ONLY AND ARE TO BE FIELD VERIFIED PRIOR TO ANY CONSTRUCTION ACTIVITIES. ANY DISCREPANCIES BETWEEN PLAN AND FIELD INFORMATION ARE TO BE REPORTED IMMEDIATELY TO HARBOR CONSULTANTS.
 - THE DISRUPTION OF EXISTING UTILITY SERVICES SHALL BE AVOIDED TO THE GREATEST EXTENT POSSIBLE. ANY REQUIRED DISRUPTION OF SERVICES SHALL BE COORDINATED IN ADVANCE WITH THE RESPECTIVE AUTHORITY AND AFFECTED USERS SHALL BE ADEQUATELY NOTICED.
 - UNDERGROUND STORAGE TANKS, IF ANY, SHALL BE REMOVED IN ACCORDANCE WITH NJDEP REGULATIONS, UNDER A SEPARATE CONTRACT. HARBOR CONSULTANTS TO BE NOTIFIED.
 - SOLID WASTE TO BE DISPOSED OF BY CONTRACTOR IN ACCORDANCE WITH LOCAL, STATE AND FEDERAL REGULATIONS.

- GENERAL NOTES:**
- PLANIMETRIC FEATURES SHOWN HEREON HAVE BEEN DRAWN IN ACCORDANCE WITH FIELD SURVEY PERFORMED BY HARBOR CONSULTANTS, INC., JUNE 2014.
 - NO DETERMINATIONS HAVE BEEN MADE REGARDING UNDERGROUND UTILITIES WHICH MAY EXIST, UNLESS AS SHOWN.
 - EXISTING UTILITY INFORMATION SHOWN HEREON HAS BEEN COLLECTED FROM VARIOUS SOURCES AND IS NOT GUARANTEED AS TO ACCURACY OR COMPLETENESS. THE CONTRACTOR SHALL VERIFY ALL INFORMATION TO HIS SATISFACTION PRIOR TO EXCAVATION. WHERE EXISTING UTILITIES ARE TO BE CROSSED BY PROPOSED CONSTRUCTION, TEST PITS SHALL BE DUG BY THE CONTRACTOR PRIOR TO CONSTRUCTION TO ASCERTAIN EXISTING INVERTS, MATERIALS AND SIZES. TEST PIT INFORMATION SHALL BE GIVEN TO THE ENGINEER PRIOR TO CONSTRUCTION TO PERMIT ADJUSTMENTS AS REQUIRED TO AVOID CONFLICTS.
 - CONTRACTOR TO PROVIDE SHOP DRAWINGS AND SPECIFICATIONS OF ALL MATERIALS PRIOR TO CONSTRUCTION FOR REVIEW AND APPROVAL.



Harbor Consultants Inc.
Engineers & Surveyors
320 NORTH AVENUE EAST
CRANFORD, N.J. 07016
Phone (908) 276-2715 Fax (908) 709-1738
Email: info@hcginc.net

INSTALLATION OF GARDEN SPRINKLER SYSTEM
RECONSTRUCTION PLANS & DETAILS
CHATFIELD GARDENS, WARINANC PARK
LOT 1, BLOCK 7601
BOROUGH OF ROSSELLE COUNTY OF UNION NEW JERSEY

VICTOR E. VINEGRA
PROFESSIONAL ENGINEER & LAND SURVEYOR
NEW JERSEY LICENSE NO. 34460

SCALE: 1"=10'
DATE: 12/29/14
DESIGNED BY: V.E.V.
DRAWN BY: SK/JB
WORK FILE: 2014022 Site Plan
CERTIFICATE OF AUTHORIZATION NO.: 24GA27962100
PROJECT NO.: 2014022

REV. DATE DESCRIPTION CHK'D. APP'VD

2

COPYRIGHT © 2014 HARBOR CONSULTANTS INC. ALL RIGHTS RESERVED.
 THE FORMING OR REISSUE OF THIS DOCUMENT OR ANY PART THEREOF FOR OTHER THAN THE ORIGINAL PROJECT OR FOR THE PURPOSE ORALLY INTENDED, WITHOUT THE WRITTEN PERMISSION OF HARBOR CONSULTANTS INC. IS PROHIBITED.

BASE BID:
PROPOSED DIRECT BURIAL ±1250 LF CABLE
TO POWER SOURCE LOCATED AT BALL FIELD No. 1
NOTE:
CONTRACTOR TO CONFIRM LINEAR FOOT OF CABLE
IN THE FIELD PRIOR TO BID.

BASE BID:
PROPOSED CONTROLLER SHALL BE
PLACED IN HEAVY DUTY
NEMA RATED BOX,
BOLTED TO REAR WALL NEAR
MEMORIAL BENCH,
FURNISH 2 KEYS
ATTACH 2-IN DIAMETER
GALVANIZED PIPE TO REAR WALL
MOUNT RAIN SENSOR ON TOP

BASE BID:
PROPOSED RAIN BIRD
SPRINKLER HEAD &
ROTARY NOZZEL
MODEL # 1806 (TYP.)

BASE BID:
PROPOSED SHUT OFF VALVE
W/ENCLOSURE (TYP.)

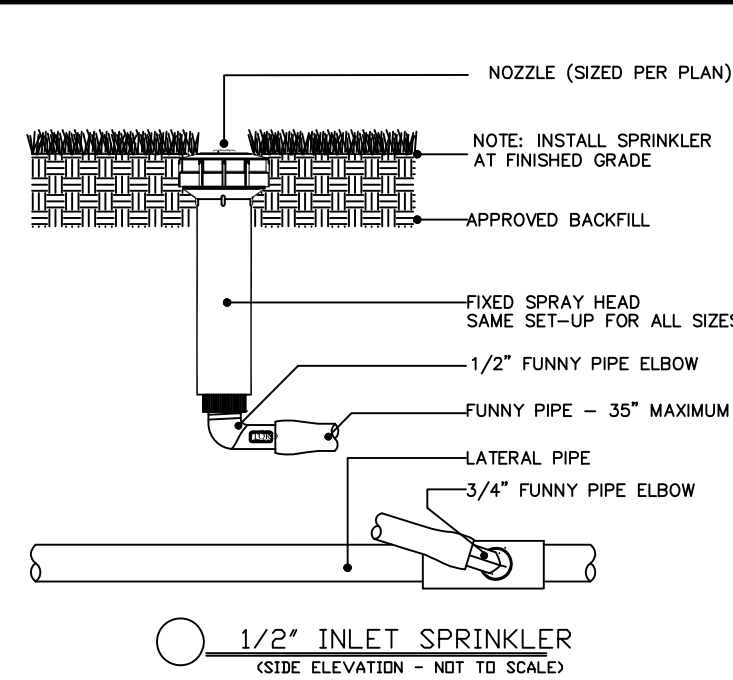
BASE BID:
PROPOSED
1 1/2" POLY PIPE

BASE BID:
PROPOSED
1" POLY PIPE

BASE BID:
EXISTING SIGN TO BE RELOCATED AS
DIRECTED BY THE ENGINEER.

BASE BID:
PROPOSED VALVE ASSEMBLY
(SEE DETAIL HEREON)

EXISTING WATER METER



LEGEND FOR IRRIGATION

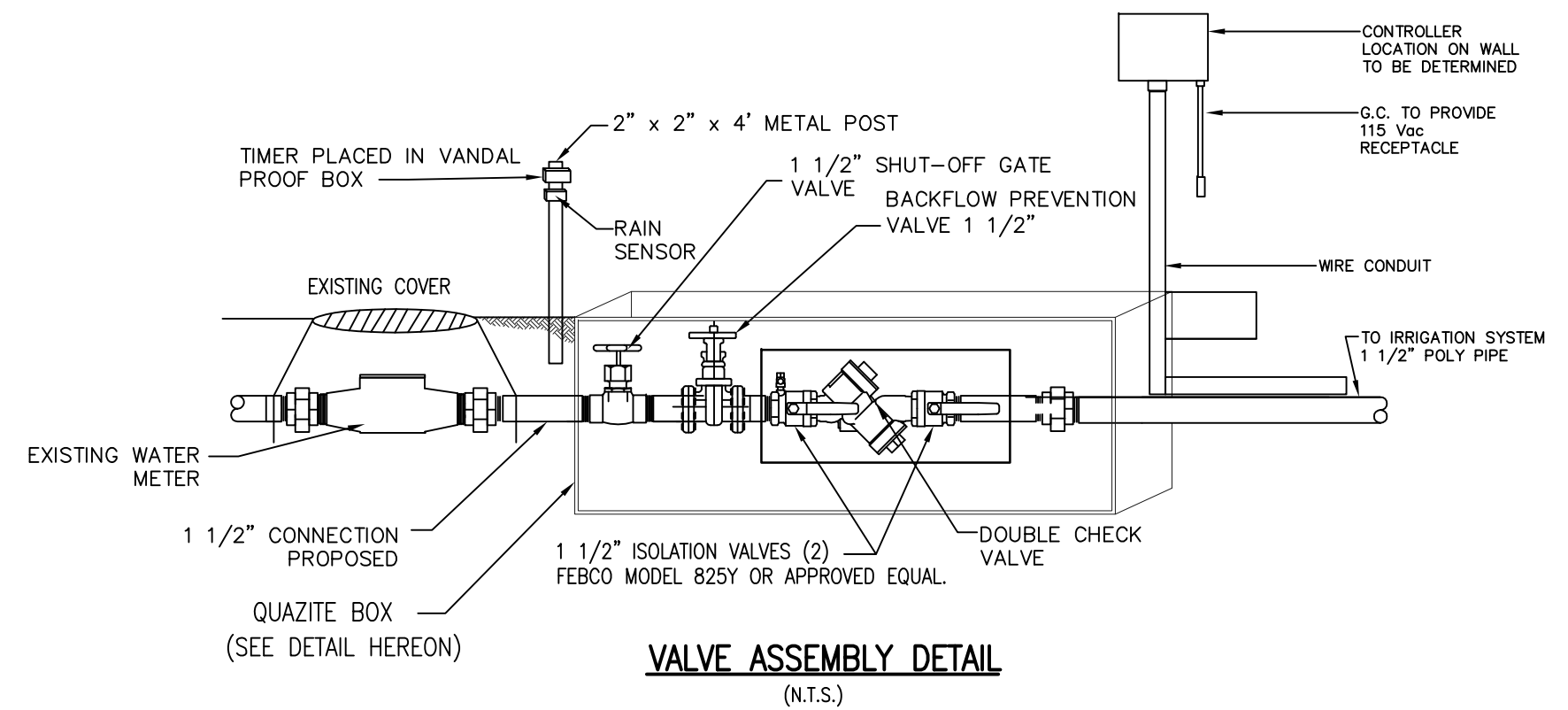
Irrigation Pipe Table		
Quantity	Symbol	Pipe
300'	---	POLY MAIN: 1 1/2" SW W/ WIRE
960'	---	POLY LATERALS: 100 PSI 1" POLY PIPE
100'	---	PVC SLEEVES: CLASS 200 4" PVC PIPE
300'	(no symbol)	WIRE: #18/12 UF MULTI STRAND

Irrigation Equipment Table		
Quantity	Symbol	Equipment
2	⊗	ZONE VALVE: HUNTER PGV-100G 1" PLASTIC
1	⊙	RAIN SENSOR: HUNTER SOLAR SYNC
1	⊖	POINT OF CONNECTION: 1" Ø 75 PSI. INSTALL SHUT OFF W/ DRAIN.
1	⊕	BLOW OUT: 3/4" BOILER DRAIN
1	⊗	BACKFLOW: 1" RPD W/ DRAIN ON 1" COPPER PIPE
1	⊙	RAINBIRD ESP 4ME W/ONE 3 ZONE MODULE
5	⊗	1 1/2" VALVE PGV 1 1/2" PLASTIC

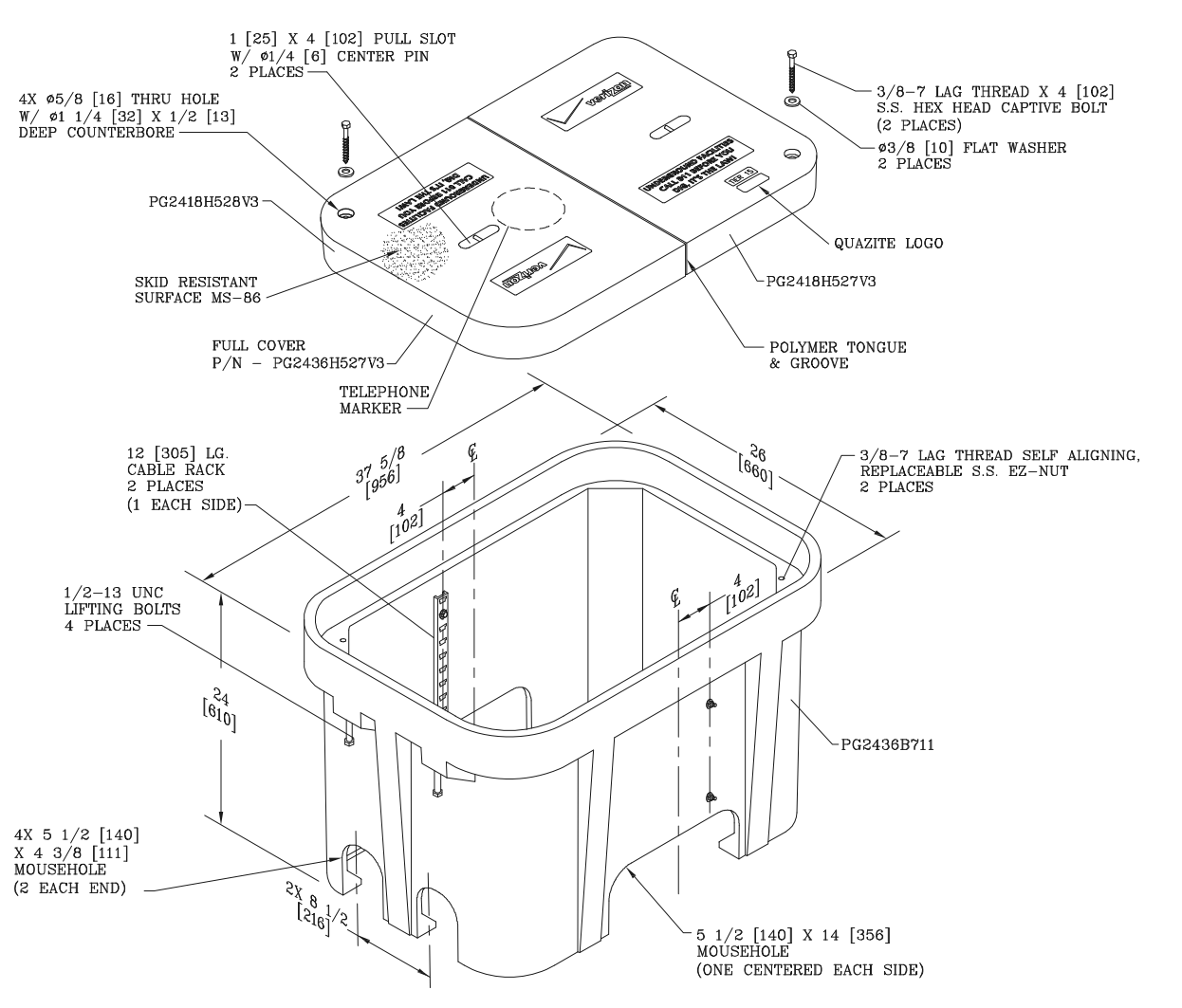
Irrigation Heads Table		
Quantity	Symbol	Sprinkler Heads
52	●	SPRAY HEAD: RAINBIRD SPRINKLER HEAD & ROTARY NOZZEL MODEL #1806

NOTES FOR IRRIGATION

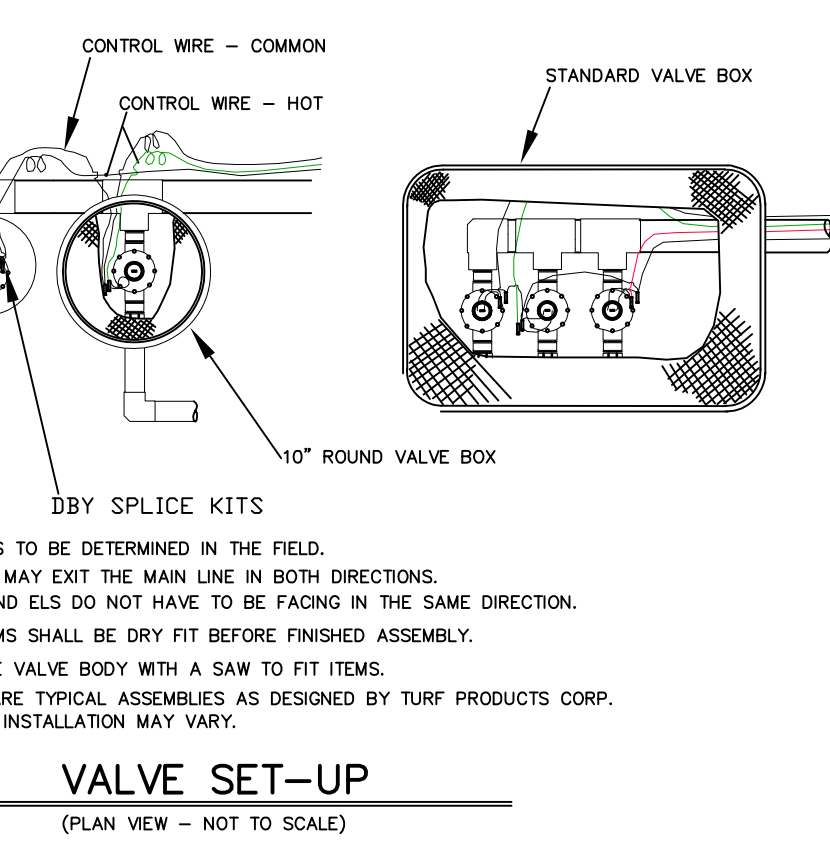
- SYSTEM IS DESIGNED FOR UP TO 15 GPM PER ZONE. PRESSURE REQUIRED AT THE INLET TO THE 1" RPD IS 65 PSI MINIMUM. PRESSURE SHALL BE VERIFIED PRIOR TO THE COMMENCEMENT OF WORK. A BOOSTER PUMP OR ADDITIONAL SPRINKLER HEADS SHALL BE PROVIDED BY THE IRRIGATION INSTALLER IN THE EVENT THE PRESSURE IS NOT ADEQUATE ENOUGH TO RUN THIS SYSTEM.
- FOLLOW ALL MANUFACTURER'S INSTALLATION INSTRUCTIONS.
- DESIGN IS DIAGRAMMATIC. INSTALLER SHALL FIELD LOCATE ALL ITEMS WITHOUT COMPROMISING THE INTEGRITY OF THIS DESIGN. ANY CHANGES TO THE NUMBER OF HEADS OR VALVES, OR TO THE HYDRAULICS SHALL BE SUBMITTED TO THE ENGINEER PRIOR TO THE COMMENCEMENT OF WORK. PIPE ROUTING, HEAD AND VALVE PLACEMENT SHALL BE THE RESPONSIBILITY OF THE INSTALLER, USING THIS DESIGN AS A GUIDE.
- AVERAGE RUN TIMES PER ZONE TO ACHIEVE 1.5" OF WATER PER WEEK IS AS FOLLOWS:
SPRAY ROTATOR: 30 MINUTES PER DAY (MIN/DAY); SPRAY STANDARD: 12 MIN/DAY.
END USER SHALL PROPERLY ADJUST RUN TIMES FOR CHANGING FIELD AND SEASONAL CONDITIONS.
- 14 ZONES x 30 MIN/ZONE x 12 GPM AVERAGE = 5040 GALLONS PER DAY & 420 MIN OR 7 HOURS PER DAY
START TIME: 11 PM, END TIME: 6 AM
- IRRIGATION INSTALLER IS RESPONSIBLE FOR, BUT NOT LIMITED TO THE COMPLETE INSTALLATION OF THIS IRRIGATION SYSTEM. FOLLOW ALL APPLICABLE CODES AND LAWS, CONTACT A UTILITY MARKING COMPANY PRIOR TO THE COMMENCEMENT OF WORK. IRRIGATION WORK TO INCLUDE ATTACHING TO THE WATER SUPPLY, VERIFYING THE PRESSURE & REPORTING RESULTS TO THE G.C., CONTROLLER & RAIN SENSOR INSTALLATION, SPRINKLERS, VALVES, PIPE & WIRE, AND RELATED ITEMS.
THE GENERAL CONTRACTOR SHALL BE RESPONSIBLE FOR THE POINT OF CONNECTION, 115 VAC POWER FOR THE CONTROLLER, SLEEVING & CONDUIT, AND RELATED ITEMS.



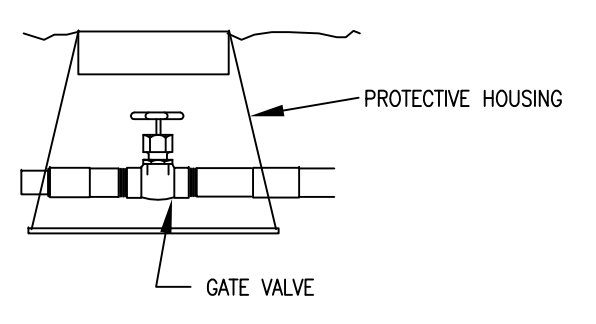
VALVE ASSEMBLY DETAIL
(N.T.S.)



QUAZITE BOX AND COVER ASSEMBLY
(N.T.S.)



VALVE SET-UP
(PLAN VIEW - NOT TO SCALE)



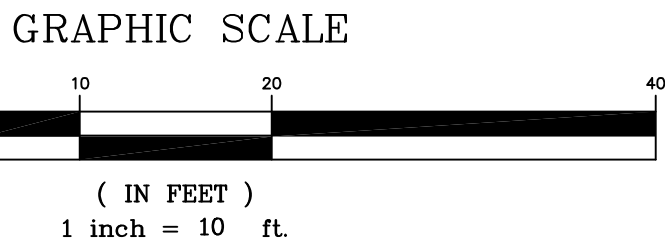
**1-1/2" SHUT OFF VALVE
W/ PROTECTIVE HOUSING**
(N.T.S.)

NOTE: UNDERDRAINS NOT SHOWN
DO NOT DISTURB STONE OR PAVED AREAS. TUNNEL UNDER THESE AREAS.
RESTORE GRASSED AREAS WHERE DISTURBED BY CONSTRUCTION

LEGEND

⊗	SHUT OFF VALVE W/ENCLOSURE
●	RAIN BIRD SPRINKLER
○	EXIST. STORM DRAIN INLET

PROPOSED SITE PLAN
SCALE 1"=10'



COPYRIGHT © 2014 HARBOR CONSULTANTS INC. ALL RIGHTS RESERVED.
 THE DESIGN OR INVENTION OF THIS DOCUMENT OR ANY PART THEREOF IS THE ORIGINAL INTELLECTUAL PROPERTY OF HARBOR CONSULTANTS INC. NO PART OF THIS DOCUMENT OR ANY PART THEREOF MAY BE REPRODUCED OR TRANSMITTED IN ANY FORM OR BY ANY MEANS, ELECTRONIC OR MECHANICAL, INCLUDING PHOTOCOPYING, RECORDING, OR BY ANY INFORMATION STORAGE AND RETRIEVAL SYSTEM, WITHOUT THE WRITTEN PERMISSION OF HARBOR CONSULTANTS INC. IS PROHIBITED.



Harbor Consultants Inc.
Engineers & Surveyors
320 NORTH AVENUE EAST
CRANFORD, N.J. 07016
Phone (908) 276-2715 Fax (908) 709-1738
Email: info@hcicg.net

INSTALLATION OF GARDEN SPRINKLER SYSTEM
IRRIGATION PLAN & DETAILS
CHATFILED GARDENS, WARINANCO PARK
LOT 1, BLOCK 7601
BOROUGH OF ROSELLE COUNTY OF UNION NEW JERSEY
SCALE: 1"=10' DATE: 12/29/2014 DESIGNED BY: V.E.V. DRAWN BY: S.K. WORK FILE: 2014022 Irrigation CERTIFICATE OF AUTHORIZATION No. 24GA27962100 PROJECT No. 2014022

VICTOR E. VINEGRA
PROFESSIONAL ENGINEER & LAND SURVEYOR
NEW JERSEY LICENSE No. 34460