



COUNTY OF UNION

DEPARTMENT OF ENGINEERING, PUBLIC WORKS & FACILITIES MANAGEMENT

Joseph A. Graziano Sr., Director

**BOARD OF
COUNTY COMMISSIONERS**

SERGIO GRANADOS
Chair

KIMBERLY PALMIERI-MOUEDE
Vice-Chairwoman

JAMES E. BAKER, JR.

JOSEPH C. BODEK

DR. ANGELA R. GARRETSON

BETTE JANE KOWALSKI

LOURDES M. LEON

ALEXANDER MIRABELLA

REBECCA WILLIAMS

EDWARD T. OATMAN
County Manager

AMY CRISP WAGNER
Deputy County Manager

BRUCE H. BERGEN, ESQ.
County Counsel

JAMES E. PELLETTIERE
Clerk of the Board

RICARDO S. MATIAS
PE, CME, CFM
County Engineer
Director, Division of Engineering

DATE: August 18, 2023

FROM: Ricardo S. Matias, PE, CME, CFM
County Engineer

TO: All Potential Bidders

RE: CLARIFICATION 1
Hydro Rake of Union County Ponds,
County of Union, New Jersey
BA# 32-2023;
Union County Engineering Project #2021-012

Per the New Jersey State Department of Treasury, the enforcement of the Prohibited Russia-Belarus Activities certification form has been temporarily suspended. Accordingly, all bidders should replace the Russia-Belarus certification form with the attached Disclosure of Investment Activities in Iran Form, along with the updated Checklist.

DIVISION OF ENGINEERING

2325 South Avenue

Scotch Plains, NJ 07076

(908)789-3675

fax(908)789-3674

www.ucnj.org

We're Connected to You!

COUNTY OF UNION NEW JERSEY
Division of Purchasing
DISCLOSURE OF INVESTMENT ACTIVITIES IN IRAN FORM

Solicitation Number: _____ Vendor/Bidder: _____

PART 1

CERTIFICATION

VENDOR/BIDDER MUST COMPLETE PART 1 BY CHECKING ONE OF THE BOXES

FAILURE TO CHECK ONE OF THE BOXES WILL RENDER THE PROPOSAL NON-RESPONSIVE

Pursuant to Public Law 2012, c. 25, any person or entity that submits a bid or proposal or otherwise proposes to enter into or renew a contract must complete the certification below to attest, under penalty of perjury, that neither the person nor entity, nor any of its parents, subsidiaries, or affiliates, is identified on the State of New Jersey, Department of the Treasury's Chapter 25 list as a person or entity engaged in investment activities in Iran. The Chapter 25 list is found on the Department's website at <http://www.state.nj.us/treasury/pdf/Chapter25List.pdf>. Vendors/Bidders must review this list prior to completing the below certification. **Failure to complete the certification will render a Vendor's/Bidder's proposal non-responsive.** If the Director of the Division of Purchase and Property finds a person or entity to be in violation of the law, s/he shall take action as may be appropriate and provided by law, rule or contract, including but not limited to, imposing sanctions, seeking compliance, recovering damages, declaring the party in default and seeking debarment or suspension of the party.

CHECK THE APPROPRIATE BOX

A. I certify, pursuant to Public Law 2012, c.25, that neither the Vendor/Bidder listed above nor any of its parents, subsidiaries, or affiliates is listed on the N.J. Department of Treasury's list of entities determined to be engaged in prohibited activities in Iran pursuant to P.L. 2012, c. 25 ("Chapter 25 List"). Disregard Part 2 and complete and sign the Certification below.

OR

B. I am unable to certify as above because the Vendor/Bidder and/or one or more of its parents, subsidiaries, or affiliates is listed on the Department's Chapter 25 list. I will provide a detailed, accurate and precise description of the activities in Part 2 below and sign and complete the Certification below. Failure to provide such information will result in the proposal being rendered as non-responsive and appropriate penalties, fines and/or sanctions will be assessed as provided by law.

PART 2

PLEASE PROVIDE ADDITIONAL INFORMATION RELATED TO INVESTMENT ACTIVITIES IN IRAN

If you checked Box "B" above, provide a detailed, accurate and precise description of the activities of the Vendor/Bidder, or one of its parents, subsidiaries or affiliates, engaged in investment activities in Iran by completing the information below.

ENTITY NAME: _____
RELATIONSHIP TO VENDOR/BIDDER: _____
DESCRIPTION OF ACTIVITIES: _____
DURATION OF ENGAGEMENT: _____
ANTICIPATED CESSATION DATE: _____
VENDOR/BIDDER CONTACT NAME: _____
VENDOR/BIDDER CONTACT PHONE#: _____

Attach Additional Sheets If Necessary

CERTIFICATION

I, the undersigned, certify that I am authorized to execute this certification on behalf of the Vendor/Bidder, that the foregoing information and any attachments hereto, to the best of my knowledge are true and complete. I acknowledge that the County of Union, New Jersey is relying on the information contained herein, and that the Vendor/Bidder is under a continuing obligation from the date of this certification through the completion of any contract(s) with the County of Union to notify the County of Union in writing of any changes to the information contained herein; that I am aware that it is a criminal offense to make a false statement or misrepresentation in this certification. If I do so, I will be subject to criminal prosecution under the law, and it will constitute a material breach of my agreement(s) with the County of Union, permitting the County of Union to declare any contract(s) resulting from this certification void and unenforceable.

Signature

Date

Print Name and Title

BID DOCUMENT SUBMISSION CHECKLIST

**ALL SIGNATURES AND SEALS SHALL BE ORIGINALS UNLESS OTHERWISE SPECIFIED
BID SHEETS SHOULD NOT BE SUBMITTED DOUBLE SIDED PAGES, (SINGLE SIDE ONLY)**

EACH BIDDER SHOULD COMPLETE THIS FORM AND INITIAL EACH ENTRY.

DATE COMPLETED: _____

**PLEASE SUBMIT BID DOCUMENTS ON SINGLE SIDED PAPER ONLY, WITH THE EXCEPTION OF THE SURETY
AND BID BOND DOCUMENTS.**

**IN ACCORDANCE WITH THE BID SPECIFICATIONS I HAVE REVIEWED, COMPLETED / EXECUTED AND
INCLUDED THE FOLLOWING FORMS:**

_____ Bid Form Page (**Signed, Dated and Bid on all alternatives applicable to the Work**).

_____ Security in the form of:

_____ Bid bond in an amount equal to 10% of the total amount of this bid not to exceed \$20,000.00; or

_____ Certified check or cashier's check in the amount of 10% of this bid not to exceed \$20,000.00

_____ Consent of Surety form signed by a Surety Company if the total amount of your Bid is over \$36,000.00.
If your bid is accepted, the Surety Company that provided the Consent shall be required to furnish a Performance,
Labor and Materials Bond in the amount of 100% of the award of the contract.

The County of Union has provided its Consent of Surety form for your use. The use of this form by your Surety Compar
will expedite the bid review process and eliminate the possibility of having your bid rejected. If, however, you should
need to use another form, please use language similar to that used on the Union County form and avoid making any
additions or deletions to the Union County form language. In lieu of the Consent of Surety you may submit a Certified
Check in the full amount of the bid.

_____ STATEMENT OF BIDDER OWNERSHIP. Pursuant to N.J.S.A. 52:25-24.2, which includes **BOTH** of the
following documents:

- Bidder Signature Page
- Bidder Disclosure Statement (**Fill out 2 pages completely**)

_____ SUBCONTRACTOR IDENTIFICATION. Pursuant to N.J.S.A. 40A:11-16, which includes **BOTH** of the
following documents:

- Subcontractor Identification Statement: List of Subcontractors (**only for certain types of work**)
- Subcontractor Identification Certification

_____ Acknowledgement of Addendum form: (**This form is to be used only when an addendum has been
added to the specifications**).

_____ A copy of the State of New Jersey Department of the Treasury, Division of Revenue, **Business
Registration Certificate ("BRC")** should be included with the bids as it must be received by the County
prior to the award of the contract. The BRC provided must show that the Bidder was registered at the
time of receipt of bids or the bid will be rejected.

_____ A copy of the State of New Jersey Department of the Treasury, Division of Revenue, **Business
Registration Certificate ("BRC")** of all named or listed subcontractors (List of Subcontractors) in a

Construction bid should be included with the bid as the BRC(s) must be received by the County prior to the award of the contract. Each subcontractor's certificate provided must show that the subcontractor was registered at the time of the receipt of bids or the bid will be rejected.

- Affirmative Action Requirement
- Experience Statement
- Certificate of Bidder showing ability to perform Contract
- Non-Collusion Affidavit – Fill out completely and notarize
- Certificates from New Jersey Department of Labor and Workforce and Workforce Development – Public Works Contractor Registration Act. (**Only for certain types of work**)
- Federal Attachments (**If applicable**)
- NJDPMC Certificate / Notice of Classification (**If applicable**)
- Americans with Disabilities Act
- Statement of Bidder's Qualifications
- Contractor Performance Record
- Affidavit Regarding List of Debarred, Suspended or Disqualified Bidders
- Prior Negative Experience Questionnaire
- Contractor's Certification of Compliance – New Jersey Prevailing Wage Act
- Uncompleted Contracts Affidavit (**For Bidder, if applicable**) **MUST ALSO PROVIDE DPMC FORM 701**
- Certificate of Insurance Statement
- Collection of Use Tax on Sales to Local Government Statement
- Time of Completion
- Disclosure of Investment Activities in Iran
- Federal Non-Debarment Certification
- BYRD Anti-Lobbying Amendment Certification
- Certification Regarding Lobbying
- Disclosure of Lobbying Activities (LLL Form)

I HAVE TAKEN THE FOLLOWING ACTIONS:

- Visited the site and attended the Pre-Bid Meeting (**Where applicable**)
- Reviewed the Contract Documents (including any permits the County or its professionals may have obtained), Work, Site, Locality, and Local Conditions and Laws and Regulations that in any manner may affect Cost, Progress, Performance or Furnishing of Work.
- Reviewed Bond Requirements
- Provided Proof of Compliance with New Jersey Prevailing Wage Act
- Reviewed Form of Owner/Contractor Agreement and General Conditions to the Contract

NOTE: QUESTIONS PERTAINING TO THIS BID ARE TO BE DIRECTED TO THE DIVISION OF PURCHASING AT ucbids@ucnj.org.

BIDDING DOCUMENTS

The Bidding Documents consist of the following items:

- **ADDENDA, if issued**
- **CLARIFICATIONS, if issued**
- **INSTRUCTION TO BIDDERS**
- **BID FORM**
- **OWNER-CONTRACTOR AGREEMENT (AIA 101) AND GENERAL CONDITIONS (AIA 201)**
- **SPECIFICATIONS: As outlined in the Table of Contents and included in the Project Manual.**
- **DRAWINGS: As per List of Drawings, indicated on the Project Title Sheet.**

SPECIFICATIONS

FOR

**Hydro Rake of Union County Ponds
County of Union, New Jersey**

BA# 32-2023; Union County Engineering Project #2021-012

AUGUST 2023

**UNION COUNTY
BOARD OF COUNTY COMMISSIONERS**

Sergio Granados Chairman
Kimberly Palmieri-Mouded, Vice Chair
James E. Baker, Jr., Commissioner
Joseph C. Bodek, Commissioner
Dr. Angela R. Garretson, Commissioner
Bette Jane Kowalski, Commissioner
Lourdes M. Leon, Commissioner
Alexander Mirabella, Commissioner
Rebecca Williams, Commissioner

CLERK OF THE BOARD

James E. Pellettiere, RMC

COUNTY MANAGER

Edward T. Oatman

**DEPARTMENT OF ENGINEERING, PUBLIC WORKS AND
FACILITIES MANAGEMENT**

Joseph A. Graziano, Sr., CPWM
Director, Department of Engineering, Public Works and
Facilities Management

**COUNTY ENGINEER
DIVISION OF ENGINEERING**

Ricardo Matias, PE, CME, CFM

Prepared by:

Colliers Engineering & Design
101 Crawfords Corner Road, Suite 3400
Holmdel, NJ 07733

**COUNTY OF UNION
NOTICE TO BIDDERS**

Sealed bids will be received by the assistant director of the Division of Purchasing, or her designee, at the County of Union, New Jersey on September 14, 2023 at 10:30 a.m., prevailing time, in the 3rd Floor Conference Room, U.C. Administration Building, 10 Elizabethtown Plaza, Elizabeth, New Jersey for:

**Hydro Rake of Union County Ponds
County of Union, New Jersey
BA# 32-2023; Union County Engineering Project #2021-012**

Bid Packages may be obtained at no charge by registering and downloading at <http://ucnj.org/bid-specs>. Bid Packages may also be obtained in person from the Division of Engineering at 2325 South Avenue, Scotch Plains, New Jersey 07076 between 8:30 a.m. and 4:00 p.m. weekdays upon payment of a non-refundable money order or bank check in the amount of \$275.00 made payable to the County of Union. No Personal / Company checks will be accepted. Requests for mailing of specifications will not be honored. For further information please call 908-789-3675.

The County reserves the right to reject any and all bids and to waive any and all informalities in the bid in accordance with the New Jersey Local Public Contracts Law.

Bids shall be submitted in a sealed envelope and clearly marked with the subject of the bid, name and address of the bidder, phone & fax number, and date of the bid opening. Each bid must be delivered to reach the Division of Purchasing prior to the stated time of the opening of the bids. The County will not be responsible for late delivery by the U.S. Mail or any other carrier. If hand delivered, please note that parking and security access at the County Complex may cause delays and bidders should take them into consideration in order to submit a timely bid. **No** late bids will be accepted.

Bidders are required to comply with the requirements of N.J.S.A. 10:5-31 et seq. and N.J.A.C. 17:27.

MICHELLE HAGOPIAN, ASSISTANT DIRECTOR OF PURCHASING

***Union County Board of County
Commissioners***

We're Connected to You!

NB-1

**Hydro Rake of Union County Ponds
County of Union, New Jersey
BA# 32-2023; Union County Engineering Project #2021-012**

TABLE OF CONTENTS

NB-1: Notice to Bidders

GENERAL SPECIFICATIONS

Definitions

Section 1: BID FORM
Section 2: WITHDRAWAL OF BID DUE TO MISTAKE
Section 3: QUALIFICATIONS OF BIDDERS AND REQUIRED SUBMISSIONS
Section 4: INTERPRETATIONS AND ADDENDA
Section 5: OBLIGATION OF BIDDER TO INSPECT SITE AND CONTRACT DOCUMENTS
Section 6: BID AND PERFORMANCE GUARANTEE
Section 7: COMMENCEMENT AND COMPLETION
Section 8: BIDDER AFFIDAVIT
Section 9: LABOR AND MATERIALS
Section 10: INSURANCE REQUIREMENTS
Section 11: INDEMNIFICATION REQUIREMENTS
Section 12: ROYALTIES AND PATENTS
Section 13: PLANS AND SPECIFICATIONS
Section 14: GUARANTEE AGAINST DEFECTIVE WORK
Section 15: TRAFFIC AND STREET MAINTENANCE
Section 16: CONTRACTOR'S EMPLOYEES
Section 17: OWNERSHIP DISCLOSURES REQUIRED
Section 18: NON-COLLUSION AFFIDAVIT
Section 19: EQUAL EMPLOYMENT OPPORTUNITY COMPLIANCES
Section 20: COMPLIANCE WITH NEW JERSEY PREVAILING WAGE ACT
Section 21: BRAND NAME OR EQUAL
Section 22: LINES AND GRADES
Section 23: NUMBER OF WORKING DAYS
Section 24: PROMPT PAYMENT OF CONSTRUCTION CONTRACTS (NJ Prompt Payment Act)
Section 25: STOPPING WORK ON ACCOUNT OF BAD WEATHER
Section 26: ACCESS FOR OTHER CONTRACTORS
Section 27: CONDEMNED MATERIALS AND WORK
Section 28: STORAGE
Section 29: FINAL CLEAN UP
Section 30: SUB-LETTING OF WORK
Section 31: SAFETY
Section 32: QUALITY, SAFETY AND PERFORMANCE STANDARDS
Section 33: MATTERS NOT MENTIONED IN CONTRACT DOCUMENTS
Section 34: PERMITS
Section 35: CONTRACTOR TO PROVIDE PROOF OF PAYMENT
Section 36: CHANGE ORDERS
Section 37: SUPPLEMENTAL WORK
Section 38: FORM OF CONTRACT
Section 39: PROGRESS PAYMENTS
Section 40: INSPECTION
Section 41: DAMAGES
Section 42: LIQUIDATED DAMAGES
Section 43: AFFIRMATIVE ACTION REQUIREMENTS
Section 44: PROHIBITED ACTIVITIES IN RUSSIA AND BELARUS & INVESTMENT ACTIVITIES IN IRAN

GENERAL SPECIFICATIONS CONTINUED

- Section 45: COMPLIANCE WITH THE PUBLIC WORKS CONTRACTOR REGISTRATION ACT
(N.J.S.A. 34:11-56.48 et. seq.)
- Section 46: UTILITIES
- Section 47: MATERIAL COMPLIANCE AND SHOP DRAWINGS
- Section 48: PRECONSTRUCTION
- Section 49: DISPUTES UNDER THE CONTRACT
- Section 50: CONTRACTOR BUSINESS REGISTRATION CERTIFICATE
(New Mandatory Requirement – Effective 1/18/2010)
- Section 51: BID PROTEST - LEGAL FEES AND COSTS
- Section 52: AMERICAN GOODS AND PRODUCTS WHERE POSSIBLE
- Section 53: NEW JERSEY PAY-TO-PLAY REQUIREMENTS
- Section 54: STATEMENT OF EQUIPMENT TO BE USED IN CONSTRUCTION
- Section 55: NEW JERSEY SALES AND USE TAX REQUIREMENTS
- Section 56: RESOLUTION No. 2014-408
- Section 57: FEDERAL TERMS

BIDDING DOCUMENTS

- Bid Document Submission Checklist
- Bidding Documents
- Bid Form
- Consent of Surety
- Bidder Signature Page
- Bidder Disclosure Statement
- Subcontractor Identification Statement: List of Subcontractors
- Subcontractor Identification Certification
- Acknowledgement of Addendum
- Contractor Business Registration Certificate
- Affirmative Action Requirement
- Experience Statement
- Certificate of Bidder Showing Ability to Perform Contract
- Non-Collusion Affidavit
- Contractor Registration Advisement
- Americans with Disabilities Act
- Statement of Bidder's Qualifications
- Contractor Performance Record
- Affidavit Regarding List of Disbarred, Suspended or Disqualified Bidders
- Prior Negative Experience Questionnaire-Certification
- Contractor's Certification of Compliance - New Jersey Prevailing Wage Act
- Uncompleted Contracts Affidavit
- Certificate of Insurance Statement
- Collection of Use Tax on Sales to Local Governments Statement
- Time of Completion
- Disclosure of Investment Activities in Iran
- Federal Non-Debarment Certification
- Byrd Anti-Lobbying Amendment Certification
- Certification regarding lobbying
- Disclosure of lobbying activities (LLL Form)

STANDARD SPECIFICATION FORM - SS-1

NEW JERSEY PREVAILING WAGE DETERMINATION DOCUMENTS

PROJECT TECHNICAL SPECIFICATIONS

**UNION COUNTY BOARD OF COUNTY COMMISSIONERS
INSTRUCTIONS TO BIDDERS AND FORMS**

DEFINITIONS

Wherever reference is made to the County, Title of Project, Bidder, or Vendor/Contractor they shall be as follows:

OWNER/COUNTY:

Union County Board of County Commissioners
UC Administration Building, 6th Floor
10 Elizabethtown Plaza
Elizabeth, New Jersey 07207

ADDRESS INQUIRIES TO:

Union County Division of Purchasing
UC Administration Building, 3rd Floor
10 Elizabethtown Plaza
Elizabeth, NJ 07207
Attn: Michelle Hagopian, Assistant Director, Division of Purchasing
Telephone: 908-527-4130
Facsimile: 908-558-2548
ucbids@ucnj.org

ADDRESS BIDS AND SUBMIT TO:

Union County Division of Purchasing
UC Administration Building, 3rd Floor
10 Elizabethtown Plaza
Elizabeth, NJ 07207
Attn: Michelle Hagopian, Assistant Director, Division of Purchasing
Telephone: 908-527-4130
Facsimile: 908-558-2548
ucbids@ucnj.org

**TITLE OF PROJECT: Hydro Rake of Union County Ponds
County of Union, New Jersey, BA# 32-2023; Union County Engineering Project #2021-012**

BIDDER: Bidder shall be a single overall contract bidder

ENGINEER: Colliers Engineering & Design

COUNTY ENGINEER AND/OR CONSTRUCTION MANAGER (as applicable):

COUNTY ENGINEER:

Ricardo S. Matias, PE, CME, CFM
Union County, Division of Engineering

GENERAL SPECIFICATIONS

1. BID FORM

Bids for this Work will be enclosed in a sealed envelope addressed to the Purchasing Division, County of Union, New Jersey, Union County Administration Building, 10 Elizabethtown Plaza, Elizabeth, New Jersey 07207, with the full name of the Project clearly marked on the outside. Refer to the sheet marked "Notice of Bid (Advertisement)" for the correct name of the Project. Bidders must submit their bids on the attached pricing sheet (Bid Form), in a sealed envelope addressed to the County and bearing on the outside: the name of the Bidder, Bidder's business address, and the title of the Project.

The Division of Purchasing will receive the bids for this Work at the Union County Administration Building, 10 Elizabethtown Plaza, Elizabeth, New Jersey on the date and time noted on the sheet marked "**Notice of Bid (Advertisement)**".

The County will not assume responsibility for bids forwarded by mail. It is the individual's responsibility to see that the bids are presented to the Purchasing Division at the time and at the place designated.

Bids will be accepted only on the Bid Form supplied. Bids on forms other than the original supplied herein will be rejected. The "complete" Bid Documents includes the Bid Bond, Bid Form, Bidder's Checklist, Consent of Surety, Ownership Disclosure Certification, Non-Collusion Affidavit, and any other documents noted in these Instructions to Bidders or Contract Document to be submitted with this Bid.

The bidder will state in the bidding sheet the price per unit of measure for each scheduled Item of Work for which he will agree to carry out the Work, and the Total Bid Price for the construction of the Project.

The prices in the Bid Form shall be typed or written in pen and ink. Erasures or alterations must be initialed by the bidder in ink.

The bidding sheet for this Project may include a fixed amount as a Bid Allowance. If applicable, all bidders are required to add this fixed amount to their base bid and to include this additional amount in their Bid Bond. This sum will be included in the Contract as well as the performance, labor and materials bond. Payment by the County will be made to the Contractor from these funds only upon the completion of extra Work pursuant to a written Change Order(s) signed by the County's Engineer or his designee and the Contractor, prior to the commencement of such Work. Work commenced prior to written approval by the County shall be done at Contactor's risk. Such payment will only be in

the amount agreed to by the parties, in writing in the Change Order(s). See Section 37, Change Orders, of these general specifications for further details.

Refer to Bid Document Submission Checklist for all required documents.

In the event there is a discrepancy between the unit price given and the extended total, the unit price will govern. Any discrepancies will be mathematically adjusted.

Insert applicable alternates, if any have been specified, applicable to the Bidder's Work. All alternates MUST be bid upon. Any Bidder's failure to do so will be deemed a material, non-waivable defect and shall render the bid nonresponsive. The Bidder shall clearly designate whether the change in price is an addition or subtraction, by using either a "+" sign or the word "addition", or in the alternative, a "-" sign or the word "minus". If there is no other change in price, the Bidder shall insert "NC" or "No Charge".

When two or more low bids are equal in all respects, awards will be made according to the provisions of N.J.S.A. 40A:11-6.1(d).

Where unit prices have already been established by the Contract Documents, the Bidder agrees that such unit prices shall prevail. All unit prices, whether filled in by the Bidder or established by the Contract Documents, shall become part of the Contract. No bid will be considered or award made, unless applicable unit prices, as required, are filled in.

The County reserves the right to reject any or all bids and also reserves the right to waive any minor informalities or non-material exceptions in the bids.

The County of Union has the right to reject any and all bids from any bidder that is in, or contemplates bankruptcy of any chapter of nature. Said bidder shall notify the County, in writing, of any condition or knowledge of the same.

Conditional bids will not be accepted. Bids may be withdrawn prior to the advertised time for the opening of bids or authorized postponement thereof or in accordance with the provisions of N.J.S.A. 40A:11-23.3 discussed below. Bids received after the advertised time shall not be considered. Bidders shall be solely responsible for premature opening or late delivery of bids not properly marked, addressed, or directed.

2. WITHDRAWAL OF BID DUE TO MISTAKE

N.J.S.A. 40A:11-23.3 authorizes a bidder to request withdrawal of a public works bid due to a mistake on the part of the bidder. A mistake is defined by N.J.S.A. 40A:11-2(42) as a clerical error that is an **unintentional and substantial computational error**

or an unintentional omission of a substantial quantity of labor, material, or both, from the final bid computation.

A bidder claiming a mistake under N.J.S.A. 40A:11-23.3 must submit a request for withdrawal, **in writing**, by certified or registered mail to Michele Hagopian, Assistant Director, Division of Purchasing, County of Union, New Jersey, Union County Administration Building, 10 Elizabethtown Plaza, Elizabeth, New Jersey 07207. The bidder must request withdrawal of a bid due to a mistake, as defined by the law, within five business days after the receipt and opening of the bids. Since the bid withdrawal request shall be effective as of the postmark of the certified or registered mailing, Michele Hagopian, Assistant Director of the Division of Purchasing or his designee may contact all bidders, after bids are opened, to ascertain if any bidders wish to, or already have exercised a request to withdraw their bid pursuant to N.J.S.A. 40A:11-23.3.

A bidder's request to withdraw the bid **shall** contain evidence, including any pertinent documents, demonstrating that a mistake was made. Such documents and relevant written information shall be reviewed and evaluated by the County's designated staff pursuant to the statutory criteria of N.J.S.A. 40A:11-23.3.

The County will not consider any written request for a bid withdrawal for a mistake, as defined by N.J.S.A. 40A:11-2(42), by a bidder in the preparation of a bid proposal unless the postmark of the certified or registered mailing is within the five business days following the opening of bids.

3. QUALIFICATIONS OF BIDDERS AND REQUIRED SUBMISSIONS

The County may make such investigation as it deems necessary to determine the ability of the Bidders to perform the Work, which includes investigation of any and all subcontractors listed with the bid. The Bidder shall furnish any information and data for this purpose as the County may request.

4. INTERPRETATIONS AND ADDENDA

Any explanation desired by a bidder regarding the meaning or interpretation of the Contract Documents must be requested in writing to the Assistant Director, Division of Purchasing at ucbids@ucnj.org with reasonable time allowed for a reply to reach bidders before submission of their bids. Any interpretation or instruction made by the County Engineer will be in the form of an addendum to the Contract Documents or clarification and will be furnished to all prospective bidders. Oral explanations or instructions given before the award of the Contract will not be binding. Bidders are required to bring to the attention of the Assistant Director, Division of Purchasing at ucbids@ucnj.org, the discovery of any apparent ambiguity, inconsistency, error,

discrepancy, omission in the Contract Documents for interpretation and correction at least ten (10) working days before opening of bids with the exception of Saturdays, Sundays and holidays.

All Addenda issued through the Office of the Division of Purchasing are amendments to the Contract Documents and shall be considered in preparing bids. Same shall become part of the Contract Documents.

Addenda take precedence over all earlier documents and over each other according to the latest date. Addenda unless themselves interpretive remain subject to interpretation the same as any other document incorporated in the Contract.

Addenda may be issued by the Assistant Director, Division of Purchasing up to seven (7) working days prior to the opening of bids. Failure of any bidder to receive an addendum shall not relieve such bidder from the obligation imposed by such addendum. Bidders are to keep themselves currently acquainted with the Contract Documents during the entire bidding period and make inquiry on their own initiative as to issuance of any Addenda. Receipts of all Addenda shall be acknowledged on the "*Acknowledgement of Receipt of Changes*" included in the bid package and must be submitted with the bid.

5. OBLIGATION OF BIDDER TO INSPECT SITE AND CONTRACT DOCUMENTS

At the time of the opening of bids, each Bidder will be presumed to have inspected the site(s) and to have read, and be thoroughly familiar with the Contract Documents. The failure or neglect of any Bidder to receive or examine any form, instrument, or document shall in no way relieve any Bidder from any obligation in respect to its bid.

The Bidder shall examine the contents of the Project Manual and the set of Drawings and assure itself that all pages of the Specifications, Drawings, and other Contract Documents are included in the documents obtained for bidding purposes. Should the Specifications, Drawings, and other Contract Documents be incomplete, the Bidder shall notify the County Engineer in writing, who will supply the Bidder with any missing pages of Specifications, Drawings, or other Contract Documents. The lack of such written notification by the Bidder will be construed as evidence that the Specifications, Drawings, or other Contract Documents supplied it for bidding purposes are full and complete and as a waiver of any subsequent claim to the contrary.

6. BID AND PERFORMANCE GUARANTEE

Each bidder must furnish a Bid Bond, Certified Check or Bank Cashier's Check in the amount of ten percent (10%) of the Bid. Checks shall be drawn to the order of the County of Union, New Jersey, not to exceed \$20,000.

Each bidder must furnish with the bid a certificate from a Surety Company, i.e. Consent of Surety, stating that in the event of the contract being awarded to said bidder, such Surety Company will provide the Contractor with bonds guaranteeing the faithful performance of the Work in accordance with the plans and specifications, and the payment for labor, materials, and all other indebtedness which may accrue on the account of this Work. A Performance, Labor and Materials Bond will be furnished by the Contractor upon an award of Contract, and will be in the amount of 100% of the contract price.

A one-year Maintenance Bond will be required upon acceptance of the Project by the County in the amount as stated in Section 15 of the General Specifications. Bonds will be written by a firm authorized to issue the bonds under the laws of the State of New Jersey and be in a form acceptable to the County Counsel.

N.J.S.A. 40A:11-1 et seq. allows the prime Contractor to furnish the Performance Security for his Subcontractors. The County of Union requires Performance Security to be furnished by the prime contractor for the entire job in the total amount of the contract.

The County will return all certified checks or cashier's checks after the proposals have been opened, tabulated and reviewed except those of the three (3) bidders lowest responsible bidders. The County will return the checks of these bidders when a contract is awarded to the successful bidder within ten (10) days after the award of the contract.

If the successful bidder refuses or neglects to sign an agreement and furnish the required bonds, the Bid Bond will be held and used by the County to offset any damages for such refusal or neglect.

7. COMMENCEMENT AND COMPLETION

Work will not commence until a Notice to Proceed is received from the County Engineer.

Upon substantial completion of the Project, the Contractor must request a joint inspection with the County Engineer. Upon completion of this inspection, the County Engineer will prepare a list of incomplete or incorrect items (punch list) and have Contractor initial and date same. The Contractor shall rectify all deficiencies noted on the

punch list within 30 calendar days of receipt of the list. The County Engineer may approve extensions for extenuating circumstances.

8. BIDDER AFFIDAVIT

All Bidders are required to complete, sign, and submit with their Bid, the attached "Affidavit Regarding List of Debarred, Suspended or Disqualified Bidders". (See form enclosed)

9. LABOR AND MATERIALS

The prices will cover all costs of any nature incident to and growing out of the Work, including all labor, material, equipment, transportation, loss by damage or destruction of the Project, settlement of damages, and for replacement of defective work or materials. N.J.S.A. 54:32B-1 et seq. exempts all materials sold to the County of Union from sales or use taxes and should not be included in the prices provided on the Bidding Sheet.

10. INSURANCE REQUIREMENTS

The County of Union requires all contractors to be able to comply with the following insurance requirements. In the event a bid is accepted by the County, the contractor must accept the applicable insurance requirements, as set forth below, as part of any contract awarded to it by the County.

Contractor shall carry and maintain at all times while the contract is in full force and effect, the following insurance coverage with an insurance company or companies acceptable to the County, with limits not less than those shown below. A Certificate of Insurance shall be filed with the County prior to commencement of any Work indicating the following:

- a) Commercial General Liability (CGL): Coverage for all operations including, but not limited to, contractual, products and completed operations, and personal injury with limits no less than \$5,000,000 per occurrence/\$10,000,000 aggregate. The County of Union, its Board of County Commissioners, officers, employees, agents and servants shall be included as an additional insured. Coverage is provided on a primary and non-contributory basis to the County of Union, et al.
- b) Automobile Liability: Coverage for all owned, non-owned and hired vehicles with limits not less than \$5,000,000 per occurrence, combined single limits (CSL) or its equivalent.

- c) Workers Compensation: As required by the State of New Jersey and Employers Liability with limits not less than \$1,000,000 per accident for bodily injury or disease.
- d) Professional Liability (if design/build): Coverage with limits not less than \$1,000,000 per occurrence or claim, \$2,000,000 aggregate
- e) Contractor's Pollution Legal Liability and/or Asbestos Legal Liability and/or Errors & Omissions (if project involves environmental hazards): Coverage with limits no less than \$1,000,000 per occurrence or claim/\$2,000,000 aggregate.
- f) Builders Risk (for major renovations): During the course of construction utilizing an "All Risk" coverage form with limits equal to the completed value of the project and no coinsurance penalty provisions.

Where applicable, a waiver of subrogation in favor of the County of Union, its Board of County Commissioners, officers, employees, agents, servants and the State of New Jersey is to be included in those policies of insurance where permitted by law.

Notice of Cancellation: Each insurance policy required above shall provide that coverage shall not be canceled, except with notice to the Entity.

Special Risks or Circumstances: The County reserves the right to modify these requirements, including limits, based on the nature of the risk, prior experience, insurer, coverage, or other special circumstances.

11. INDEMNIFICATION REQUIREMENTS

The County of Union requires all bidders to accept the following indemnification requirements in the event the County accepts their bid. The Contract awarded by the County to the successful bidder will contain the following provision:

"To the fullest extent permitted by law the Contractor shall indemnify, defend, and hold harmless the owner and the owner's consultants, agents, representatives, and employees from and against any and all claims, damages, losses, costs, and expenses, including, but not limited to attorneys' fees, legal costs and legal expenses arising out of or resulting from the performance of the Contractor's work under this contract, provided that such claim, damage, loss, cost, or expense is attributable to bodily injury, sickness, disease or death, or to injury to or destruction of tangible property (other than the work itself) caused or alleged to be caused by

the negligent acts, negligent omissions, and/or fault of the Contractor, anyone directly or indirectly employed or retained by the Contractor, or anyone for whose acts the Contractor may be liable regardless of whether caused in part by the negligent act or omission of a party indemnified hereunder provided it is not caused by the sole negligence of a party indemnified hereunder. Contractor shall further indemnify and hold harmless the County and the County's consultants, agents, representative, and employees from and against any and all claims, damages, losses, costs, and expenses, including, but not limited to attorneys' fees, legal costs and legal expenses, arising out of or resulting from performance of the work, provided that such claim, damage, loss, cost, or expense is attributable to bodily injury, sickness, disease or death, or to injury to or destruction of tangible property (other than the work itself) caused or alleged to be caused by the negligent acts, negligent omissions, and/or fault of the County or the County's consultants, agents, representatives, or employees and arises out of this project and provided such claim, damage, loss, cost, or expense is not caused by the sole negligence of a party indemnified hereunder."

12. ROYALTIES AND PATENTS

The Contractor shall pay all royalties and license fees. He shall defend all suits or claims for infringement of any patent rights and shall hold the County harmless from loss on account thereof.

13. PLANS AND SPECIFICATIONS

In carrying out the Work, the plan(s) and the specifications will be followed by the Contractor. Minor alterations in the plan may be made or permitted by the County Engineer from time to time and, if no additional Work is necessary, there will be no additional charge for carrying out such minor alterations.

The Contractor shall provide the County Engineer a set of reproducible as-built drawings upon completion of the Project. The Contractor shall maintain an updated construction progress plan in the Project field office at all times.

When applicable, The New Jersey Department of Transportation Standard Specifications for Road and Bridge Construction, as amended, and Supplemental Specifications for State Aid Projects, herein after referred to as the "Standard Specifications", are made a part of these specifications and contract for the improvements, and will govern the construction of this Project, the material used and the execution of this Project, except as revised and modified herein. The references to these specifications are given herein for the purpose of aiding in the rapid location of the description of the various items herein specified. The entire Work must be carried on and

completed to the satisfaction of the County. The Standard Specifications are amended as follows:

“Any reference to the Commissioner, Department, Department Laboratory, Engineer or Inspector should be redefined to be the County of Union”.

14. GUARANTEE AGAINST DEFECTIVE WORK

Prior to final payment being made or before the release of the performance security required by Section 3 above, the Contractor and Surety shall execute and deliver to the County an original Maintenance Bond with an original signature and seal having a penal sum equal to:

- A) One hundred percent (100%) of the final adjusted Contract amount, if such amount is \$50,000.00 or less;
- B) Fifty percent (50%) of the final adjusted Contract amount, if such amount be greater than \$50,000.00 but less than \$250,000.00; and,
- C) Twenty-five percent (25%) of the final adjusted contract amount, if such amount is \$250,000.00 or more.

The Bond and Surety shall be satisfactory to the Union County Counsel. The Surety shall hold a Certificate of Authorization to do business in the State of New Jersey and shall conform to P.L. 1995 c.384, codified as N.J.S.A. 2A:44-143, 144. The Surety Disclosure Statement and Certification required by N.J.S.A. 2A: 44-143, 144, shall be attached to the Bond. Such Maintenance Bond shall remain in full force and effect for a period of one (1) year from the date of Final Completion. Such Maintenance Bond shall also provide that the Contractor and the Surety guarantee to replace for the said period of one (1) year from the date of Final Completion, all Work performed and/or all materials furnished that were not performed or were not furnished in accordance to the terms and performance requirements of the Contract Documents, and will make good any defects thereof which become apparent before the expiration of one (1) year. If, during that period, any part of the Project, in the judgment of the Engineer, is found defective, the Contractor will repair or replace same within five (5) days of receipt of notice from the County Engineer. If the Contractor refuses or neglects to do such Work in the time specified, the County Engineer may have the Work done by others and the Contractor or his Surety thereof will pay the cost.

The Contractor will furnish the County a Maintenance Bond for a percentage of the final adjusted contract price, as stated above. The one (1) year period will start the day of Final Completion of Project by the County. Final payment is conditional on the receipt of a maintenance bond in a form acceptable to County Counsel.

15. TRAFFIC AND STREET MAINTENANCE

The Work must be started and performed by the Contractor in such a manner as to minimize delays to the traveling public. It must be completed in a timely fashion, with little or no inconvenience to traffic and pedestrians, where such inconvenience may be avoided.

All municipal, county, and state roadways shall remain open to traffic unless otherwise provided for in the technical specifications.

If modified traffic patterns are authorized in order to provide a safe working or traveling environment, the Contractor is responsible for providing all equipment, barrels, cones, signs, and barricades to implement the work zone and detours, unless otherwise specified in the technical specifications. All work zones and detours shall be established in accordance with the technical plans and specifications if provided or in strict compliance with the current version of the Manual for Uniform Traffic Control Devices (MUTCD). The Contractor shall obtain approval for these work zones and detour plans from the Municipal Police or applicable police agency and the Union County Bureau of Traffic Maintenance prior to implementation.

All traffic control plans shall provide for safe movement of vehicular, bicycle, and pedestrian traffic. Particular attention shall be given to requirements of the Americans with Disabilities Act.

No portion of any street or alleyway may be used for the storage of any materials or equipment without the approval of the Municipal Police or other applicable police agency. Sidewalks, gutters, drains, fire hydrants and private drives shall be maintained for their intended use unless specifically approved by the County Engineer.

Upon suspension of Work, at the end of the day or for protracted periods, the Contractor shall remove all rubbish and materials from the Work site to the approved storage/staging location. All road cuts, saw cuts, and trenches that may pose hazard to vehicular, pedestrian, or bicycle traffic, to include handicapped users, shall be filled to the surface of the roadway or sidewalk. At no time will steel plates or settled trenches be allowed at the daily suspension of Work, unless specifically approved by the County Engineer.

Use of Traffic Control Officers shall be determined by the County in accordance with the provisions of N.J.S.A. 40A:11-23.1(c). If applicable to the Project, the County shall have provided an allowance for same as set forth in the Bid Form.

With respect to pedestrian traffic, the Contractor shall install signs restricting access of the general public and, as necessary, Union County employees to the area of construction. The Contractor shall provide safe access to required areas and place physical barriers to restricted areas. These barriers may range from caution tape to actual barriers, at the direction of the County Engineer.

16. CONTRACTOR'S EMPLOYEES

The Contractor must employ only suitable and competent labor in the Work, and must remove from the Work any incompetent, unsuitable, or disorderly person upon complaint from the County Engineer.

The parties to any contract resulting from this proposal do hereby agree that the provisions of N.J.S.A. 10:2-1 through 10:2-4 (discrimination in employment on public works contracts): 34:11-56.25 et seq. (payment of prevailing rate of wages determined pursuant to N.J.S.A. 34:11-56.30 by the Commissioner), and the Rules and Regulations promulgated pursuant thereto, are hereby made a part of any contract and are binding upon them.

There will be no discrimination against any employee who is employed in the Work to be covered by any contract resulting from this bid because of age, race, creed, color, national origin, ancestry, marital status or sex.

Any person, firm, or corporation violating the provisions of this Section will be deemed and judged a disorderly person.

17. OWNERSHIP DISCLOSURES REQUIRED

Pursuant to P.L. 2016, c. 43, codified as N.J.S.A. 52:25-24.2, no corporation, partnership, or limited liability company shall be awarded any contract nor shall any agreement be entered into for the performance of any work or the furnishing of any materials or supplies the County unless prior to the receipt of the bid or accompanying the bid, of said corporation, said partnership, or said limited liability company there is submitted a statement setting forth the names and addresses of all stockholders in the corporation who own ten percent (10%) or more of its stock, of any class, or of all individual partners in the partnership who own a ten percent (10%) or greater interest therein, or of all members in the limited liability company who own a ten percent (10%) or greater interest therein, as the case may be. If one or more such stockholder or partner or member is itself a corporation or partnership or limited liability company, the stockholders holding ten percent (10%) or more of that corporation's stock, or the individual partners owning ten percent (10%) or greater interest in that partnership, or the members owning ten percent (10%) or greater interest in that limited liability company, as

the case may be, shall also be listed. The disclosure shall be continued until names and addresses of every non corporate stockholder, and individual partner, and member, exceeding the ten percent (10%) ownership criteria has been listed.

To comply with this section, a bidder with any direct or indirect parent entity which is publicly traded may submit the name and address of each publicly traded entity and the name and address of each person that holds a ten percent (10%) or greater beneficial interest in the publicly traded entity as of the last annual filing with the federal Securities and Exchange Commission ("SEC") or the foreign equivalent, and, if there is any person that holds a ten percent (10%) or greater beneficial interest, also shall submit links to the websites containing the last annual filings with the federal SEC or the foreign equivalent and the relevant page numbers of the filings that contain the information on each person that holds a ten percent (10%) or greater beneficial interest.

(See forms attached)

18. NON-COLLUSION AFFIDAVIT

The Bidder shall submit with its bid either the attached completed "Non-Collusion Affidavit" or a statement of non-collusion with verbiage similar to same.

19. EQUAL EMPLOYMENT OPPORTUNITY COMPLIANCES

The successful bidder shall be required to complete and submit an Initial Project Workforce Report, New Jersey Department of Treasury Form AA-201, upon notification of award. Failure to submit this completed form may result in the Contract being terminated.

The successful bidder shall also be required to submit a copy of its Monthly Project Workforce Report, New Jersey Department of Treasury Form AA-202, to the New Jersey Department of Treasury's Division of Public Contracts Equal Employment Opportunity Compliance and to the Board.

20. COMPLIANCE WITH NEW JERSEY PREVAILING WAGE ACT

The County of Union, in order to fulfill the requirements of N.J.S.A. 34:11-56.25 et seq, requires that the following additional conditions be strictly followed. The bidders represent that he is not listed or is not on record in the Office of the Commissioner or the Department of Labor and Workforce Development as one who failed to pay prevailing wages in accordance with the provisions of this Act. The bidder agrees to the inclusion of a contract provision upon award which specifically requires said Contractor to fully comply with each and all of the requirements of the aforesaid Act as it relates to prevailing

rates of wages on public contracts as set forth in the New Jersey Prevailing Wage Act, P.L. 1963, Chapter 150 and P.L. 1974, Chapter 64.

A Copy of the Prevailing Wage Rates is attached for your reference. Applicable rates are those wages and fringe benefit rates in effect on the date the contract is awarded. All predetermined rate increases listed at the time the contract award must also be paid, beginning on the dates specified. Rates may change between the time of issuance of this determination and the award of the public works contract. Therefore, prior to the award of the contract, verification must be made with the Public Contracts section, to insure that the rates contained in this determination are still prevailing.

The Contractor agrees to abide and be bound by each and all of the said statutory provisions with respect to the payment of prevailing rates of wages, and acknowledges that the County reserves the right to terminate the Contractor's (or his subcontractors') right to proceed with the scope of Work, or such portion thereof that relates to the failure to pay prevailing rates of wages. In such event or under the terms of N.J.S.A. 34:11-56.27, the Contractor and his surety will be liable to the County of Union for any excess costs occasioned by such a violation.

The Contractor or subcontractors for this Project will post the Prevailing Wage Rates for each craft and classification involved as determined by the Commissioner of Labor and Industry, including the effective date of any changes thereof, in prominent and easily accessible places at the site of the Work or at such place or places as are used by them to pay workmen their wages.

The County of Union requires a copy of payroll records from the Contractor and subcontractors. Payroll records shall be submitted with each voucher request for payment. Prevailing wage rates may be obtained from the New Jersey Labor, Division of Workplace Standards, Public Contracts Section, (609-292-2259).

In addition to compliance with the New Jersey Prevailing Wage Act, the County requires compliance with procedures established by Resolution No. 2014-0408 adopted by the Union County Board of County Commissioners on May 8, 2014. The resolution is furnished in Section 56 of these General Specifications.

UNION LABOR IS PREFERRED ON ALL COUNTY WORK

The foregoing reference to specific laws will not be deemed to be a limitation of obligation of the Contractor to perform his obligations in full compliance with the provisions and requirements of all federal and state statues and local ordinances applicable to the Work to be done under the contract.

It is agreed and understood that any contracts and/or orders placed as a result of this proposal will be governed and construed and the rights and obligations of the parties hereto will be determined in accordance with the laws of the State of New Jersey.

Upon completion of the Work, the Contractor will furnish a Certification of Compliance with the New Jersey Prevailing Wage Act. The certificate in a form acceptable to County Counsel is a condition of the final payment. (See form attached)

21. BRAND NAME OR EQUAL

When the Specifications, Forms, and other Contract Documents use “brand name or equivalent” or similar language, the listed brand name shall serve as a reference or point of comparison for the functional or operational characteristic desired for the goods or services being requested. Where a bidder attempts to submit an equivalent product for a brand name, it shall be the responsibility of the bidder to fully describe and document the product to be provided with the bid in order to establish the equivalence claim.

- A. If the Bidder proposes to offer substitute goods as an equal to those specified herein, the bidder shall so indicate with the Bid Proposal. For the purposes of this paragraph, a proposed item shall be considered equal to goods specified herein if:
 - 1. The County, in its sole discretion, determines that: (i) the goods conform substantially, even with deviations, to the brand name goods specified herein; (ii) the goods are equal to or greater than the brand name goods specified herein in terms of quality, durability, functionality, appearance, strength and design; (iii) the goods are capable, at least as well as the brand name goods specified herein, or performing with existing equipment; and (iv) the goods do not cost the County more than the brand name goods specified herein costs the County.

- B. To offer substitute goods as an equal to those specified herein, it is necessary that:
 - 1. The Bidder submits sufficient information with its bid to permit the County to determine that the goods are equivalent to the brand name goods specified herein, including, but not necessarily limited to the brand, catalog number and specifications/data sheets;

2. The Bidder fully identifies and describes the variations of the goods from the brand name goods specified herein on a separate sheet that is to be submitted with the bid proposal. Bidder's literature WILL NOT suffice in explaining exceptions to these specifications.
 3. The Bidder certifies that the goods (i) are similar in substance to the brand name goods specified, and (ii) are suited to the same use as the item specified;
- C. The County shall be allowed a reasonable time within which to evaluate the Bidder's proposal to offer substitute goods as an equal to those specified herein. The County shall be the sole judge of acceptability. No "or-equal" goods shall be ordered, delivered, assembled, set-up or utilized until the County's evaluation is complete. The County's determination as to equivalency shall be deemed final and absolute.

In the event the Bidder does not provide sufficient supporting documentation with the bid, it will be presumed and required that the brand name goods and services as described in the specifications will be provided.

22. LINES AND GRADES

Normally, horizontal and vertical control points will be provided in the technical specifications. All other surveying will be the responsibility of the Contractor unless otherwise noted.

23. NUMBER OF WORKING DAYS

In accordance with N.J.S.A. 40A:11-17, the Work for the within Project shall be completed as specified on the Time of Completion Form. See form attached

There shall be taken a deduction from the contract price, or any wages paid by the County, to any inspector(s) necessarily employed by it on the Work, for any number of days in excess of the number allowed in the specifications.

24. PROMPT PAYMENT OF CONSTRUCTION CONTRACTS (NJ Prompt Payment Act)

Pursuant to N.J.S.A. 2A:30A-1 et seq., payment to the Contractor, other than for Work done pursuant to a contact allowance, where applicable, shall be processed and paid as follows:

1. All contractor bills shall be either approved for payment, or notice provided as to why the bill or any portion of it will not be approved by the representative(s) of the governing body no later than the public meeting following 20 calendar days of the billing date as defined in the statute.
2. If the billing is approved, said bill shall be paid in the payment cycle following the meeting.

25. STOPPING WORK ON ACCOUNT OF BAD WEATHER

Work must only be performed in weather suitable for the type of construction planned or underway. Extremes in temperature, humidity, precipitation, evaporation, etc. can detrimentally affect the constructed product. Refer to the Standard and Technical Specifications for specific items.

26. ACCESS FOR OTHER CONTRACTORS

The Contractor for this Work will give proper access to other contractors who may be employed upon the Project and must not hinder or delay unnecessarily any Work that may be progressing under other contracts.

27. CONDEMNED MATERIALS AND WORK

Any materials and or part of the Work that may be condemned by the County Engineer will be removed and replaced by the Contractor or otherwise rectified, as may be directed by the County Engineer. No payment will be made upon the Work until such faulty work has been made good as may be directed. In the event the Contractor refuses or neglects to make good such faulty work, he will be deemed to have abandoned the contract and proceedings may be taken against him as provided herein.

28. STORAGE

In the event that it is necessary for the Contractor to stockpile or store materials or equipment on the job site, the Contractor shall inform the County of such necessity and the County may offer available space, if any, for storage of such materials or equipment. The Contractor shall use said space only for such purpose. Any and all materials which may be stored in such space or which may be brought onto the job site at any time by the Contractor will be at the Contractor's sole risk. The County will not be responsible for loss of or damage to said materials or equipment for any cause whatsoever. The

Contractor shall take necessary measures to protect any such storage area and shall be responsible for any and all damages.

29. FINAL CLEAN UP

Upon completion of the Work, the Contractor will remove all equipment, unused materials, rubbish, etc., and will repair, or replace in an a manner acceptable to the County Engineer, all areas that may have been damaged in the prosecution of the Work. Same shall be a condition precedent to final payment. Should said Contractor fail to comply with this requirement, the County shall undertake the clean-up with its own forces and charge the cost of same against the Contractor's contract balance.

30. SUB-LETTING OF WORK

Except for the List of Subcontractors, pursuant to N.J.S.A. 40A:11-16 (See form attached), no portion of the Work will be sublet by the Contractor to any other entities, except with the consent of the County Engineer. A complete list of subcontractors must be submitted to the County Engineer at the preconstruction meeting. If the job does not warrant a preconstruction meeting, the Contractor must submit such list prior to the start of Work.

All Subcontractors will be subject to N.J.S.A. 34:11-56 et al.

N.J.S.A. 40A:11-16 requires the bidder to list in the bid sheets the name or names of all subcontractors involved in the following types of Work: plumbing and gas fitting and all kindred work, steam and hot water heating, ventilating apparatus, steam power plants and kindred work, electrical work, ornamental iron work, and structural steel. In addition, the County may require the identification of specific additional subcontractors. If these trades are expected to be part of the contract, such subcontractors should be listed on the "Subcontractor Identification Statement List of Subcontractors" and Bidder shall certify same on the accompanying sheet titled "Subcontractor Identification Certification". (See forms attached) **Bidder's failure to submit these two forms shall be considered a material defect and result in rejection of Bidder's bid.** Substitutions of any listed subcontractors pursuant to N.J.S.A. 40A:11-16 will not be permitted except with the consent of the County Engineer.

31. SAFETY

The Contractor shall observe all rules and regulations of the Federal, State, and local health officials. Attention is directed to Federal, State, and local laws, rules, and regulations concerning construction safety and health standards. The Contractor shall not require any worker to work in surroundings or under conditions that are unsanitary, hazardous, or dangerous to the worker's health or safety.

The Contractor shall admit to the site, without delay and without the presentation of an inspection warrant, any inspector of OSHA or other legally responsible agency involved in safety and health administration upon presentation of proper credentials.

The Contractor shall make available to the Contractor's employees, subcontractors, the County Engineer, and the public, all information pursuant to OSHA 29 CFR Part 1926.59 of The Hazard Communication Standard 29 CFR 1910.1200, and shall also maintain a file on each job site containing all Material Safety Data Sheets (MSDS) for products in use at the Project. These Material Safety Data Sheets shall be made available to the Engineer upon request.

The Contractor shall at all times conduct the Work to provide for the safety and convenience of the general public and protection of persons and property. The safety provisions of applicable laws, OSHA regulations, building and construction codes, and the rules and regulations of the New Jersey Department of Labor and Workforce Development shall be observed.

32. QUALITY, SAFETY AND PERFORMANCE STANDARDS

All goods and services must be constructed and provided with the highest quality materials and workmanship. It is the intent of these specifications that only equipment equal to, or exceeding, the standard specified will be acceptable in order to protect the safety of the occupants of the Building.

33. MATTERS NOT MENTIONED IN CONTRACT DOCUMENTS

Any Work, material, or method, not specifically described in these specifications, but shown upon the plans of the Work, will be carried out as shown on said plan.

34. PERMITS

The Contractor will obtain all necessary permits required by law and provide the County with necessary approvals prior to commencement of permitted Work.

35. CONTRACTOR TO PROVIDE PROOF OF PAYMENT

Upon the completion of the Work, the Contractor will furnish a General Release as proof that all claims for labor, materials, etc., have been settled by the Contractor. The General Release, in a form acceptable to County Counsel, is a condition of final payment.

36. CHANGE ORDERS

The applicability of change orders and change order procedures shall comply with *N.J.S.A. 40A:11-16.7* and *N.J.A.C. 5:30-11.1 et seq.*, "Change Orders and Open End Contracts".

37. SUPPLEMENTAL WORK

In case any supplemental work is necessary, it will be performed by the Contractor at a price fixed by agreement between the Contractor and the County Engineer and approved by the County as specified in Section 36. The Contractor will do no supplemental work on any character, for which the Contractor will demand pay, except upon the written order of the County.

38. FORM OF CONTRACT

The Contract will be subject to all statutory provisions on the matter of Public Works, Public Contracts, The Law Against Discrimination, the Laws Governing Affirmative Action and Prevailing Rates of Wages under the laws of New Jersey.

The Agreements shall be executed by both parties not later than twenty-one (21) days from the date of the award by the County (Sundays and holidays excluded); however, such time frame may be extended by agreement of the parties.

39. PROGRESS PAYMENTS

Monthly progress payments will be made based on the value of labor and materials incorporated in the Work and of materials suitably stored at the site. An itemized schedule of values shall be submitted with each Application for Payment.

(Refer to the Owner/Contractor Agreement for Retainage and other conditions pertaining to payment and the application of *N.J.S.A. 2A:30A-1 et seq.*)

All Applications for Payment shall be accompanied by paid invoices for materials incorporated in the Work and for materials suitably stored at the site, and affidavit(s) by Subcontractors whose Work was included in the next to the last application to the effect such Work and such materials have been paid for.

No payment shall be made without Contractor having provided all submittals set forth in this Section, and the approval of same by the County.

For contracts exceeding \$100,000.00, monthly payments will be made on the Work to the extent of 98% of the value of the Work done which is considered to be retainage.

For contracts less than \$100,000.00, monthly payments will be on the Work to the extent of 90% of the value of the Work done. In lieu of the retainage, the Contractor will, at his option, deposit with the County Counsel negotiable bearer bonds of the State of New Jersey or any political subdivision thereof, equal to the amount otherwise withheld as retainage.

When the Project is completed, the final cost of the Project will be based on actual quantities of authorized Work done under each item scheduled in the bidding sheet and approved Change Orders, if any. The money due to the Contractor as determined by said final certificate after deduction of previous monthly payments on account, will be paid to the Contractor in accordance with the terms of the contract dealing with Prompt Payment, providing, however that before such final payment is made, all outstanding claims against the Contractor must be satisfied. Before final payment is released, the Contractor must furnish: **a)** Maintenance Bond (see Section 6 of these general specifications); **b)** Certification of Compliance, New Jersey Prevailing Wage Act (see Sections 21 and 51); and **c)** General Release (see Section 36) in a form satisfactory to County Counsel; **d)** complete set of as-built plans in the latest AutoCad on compact disc; and **e)** a complete set of in-progress photos in jpg, jpeg, or bmp digital format on a compact disc.

40. INSPECTION

The Work must be done in accordance with the plans and specifications, and will be inspected by the County Engineer. An inspector may be placed upon the Work at any time by the County Engineer to see that the plans, specifications, and instructions of the County Engineer are carried out. In connection herewith, bidders are referred to N.J.S.A. 40A:11-17.

41. DAMAGES

The Contractor will be held responsible for all damages that may occur to Work, or to persons or property by reason of the nature of the Work or from the elements, or by reason of inadequate protection of the Work, or from any carelessness or negligence on his part or on the part of his employees. The County will withhold payments on the Work until all suits or claims for damages sustained on, or by reason of, this Work will have been settled by the Contractor.

The construction and final completion of this Work will be guaranteed by the Contractor. Any damages that may be done to the Work or any part thereof, by the elements or otherwise, during its construction, will be made good by the Contractor.

42. LIQUIDATED DAMAGES

If the Project is not completed within the time specified herein or within such further time as may have been granted by the County Engineer, then the Contractor hereby agrees to pay to the County as liquidated damages, but not as a penalty, \$1,000.00 per day for each and every calendar day that he is in default on time to complete the Work. The said sum will be deducted from moneys due the Contractor and if the damages exceed this amount, then the Contractor or his Surety Company will pay the excess. These damages may be waived at the option of the County.

43. AFFIRMATIVE ACTION REQUIREMENTS

(REVISED 01/2022)

EXHIBIT B

MANDATORY EQUAL EMPLOYMENT OPPORTUNITY LANGUAGE

N.J.S.A. 10:5-31 et seq. (P.L.1975, c.127)

N.J.A.C. 17:27-1.1 et seq.

CONSTRUCTION CONTRACTS

During the performance of this contract, the contractor agrees as follows:

The contractor or subcontractor, where applicable, will not discriminate against any employee or applicant for employment because of age, race, creed, color, national origin, ancestry, marital status, affectional or sexual orientation, gender identity or expression, disability, nationality or sex. Except with respect to affectional or sexual orientation and gender identity or expression, the contractor will ensure that equal employment opportunity is afforded to such applicants in recruitment and employment, and that employees are treated during employment, without regard to their age, race, creed, color, national origin, ancestry, marital status, affectional or sexual orientation, gender identity or expression, disability, nationality or sex. Such equal employment opportunity shall include, but not be limited to the following: employment, upgrading, demotion, or transfer; recruitment or recruitment advertising; layoff or termination; rates of pay or other forms of compensation; and selection for training, including apprenticeship. The contractor agrees to post in conspicuous places, available to employees and applicants for employment, notices to be provided by the Public Agency Compliance Officer setting forth provisions of this nondiscrimination clause.

The contractor or subcontractor, where applicable will, in all solicitations or advertisements for employees placed by or on behalf of the contractor, state that all qualified applicants will

receive consideration for employment without regard to age, race, creed, color, national origin, ancestry, marital status, affectional or sexual orientation, gender identity or expression, disability, nationality or sex.

The contractor or subcontractor will send to each labor union, with which it has a collective bargaining agreement, a notice, to be provided by the agency contracting officer, advising the labor union or workers' representative of the contractor's commitments under this act and shall post copies of the notice in conspicuous places available to employees and applicants for employment.

The contractor or subcontractor, where applicable, agrees to comply with any regulations promulgated by the Treasurer, pursuant to N.J.S.A. 10:5-31 et seq., as amended and supplemented from time to time and the Americans with Disabilities Act.

When hiring or scheduling workers in each construction trade, the contractor or subcontractor agrees to make good faith efforts to employ minority and women workers in each construction trade consistent with the targeted employment goal prescribed by N.J.A.C. 17:27-7.2; provided, however, that the Dept. of LWD, Construction EEO Monitoring Program, may, in its discretion, exempt a contractor or subcontractor from compliance with the good faith procedures prescribed by the following provisions, A, B, and C, as long as the Dept. of LWD, Construction EEO Monitoring Program is satisfied that the contractor or subcontractor is employing workers provided by a union which provides evidence, in accordance with standards prescribed by the Dept. of LWD, Construction EEO Monitoring Program, that its percentage of active "card carrying" members who are minority and women workers is equal to or greater than the targeted employment goal established in accordance with N.J.A.C. 17:27-7.2. The contractor or subcontractor agrees that a good faith effort shall include compliance with the following procedures:

(A) If the contractor or subcontractor has a referral agreement or arrangement with a union for a construction trade, the contractor or subcontractor shall, within three business days of the contract award, seek assurances from the union that it will cooperate with the contractor or subcontractor as it fulfills its affirmative action obligations under this contract and in accordance with the rules promulgated by the Treasurer pursuant to N.J.S.A. 10:5-31 et. seq., as supplemented and amended from time to time and the Americans with Disabilities Act. If the contractor or subcontractor is unable to obtain said assurances from the construction trade union at least five business days prior to the commencement of construction work, the contractor or subcontractor agrees to afford equal employment opportunities minority and women workers directly, consistent with this chapter. If the contractor's or subcontractor's prior experience with a construction trade union, regardless of whether the union has provided said assurances, indicates a significant possibility that the trade union will not refer sufficient minority and women workers consistent with affording equal employment opportunities as specified in this chapter, the contractor or

subcontractor agrees to be prepared to provide such opportunities to minority and women workers directly, consistent with this chapter, by complying with the hiring or scheduling procedures prescribed under (B) below; and the contractor or subcontractor further agrees to take said action immediately if it determines that the union is not referring minority and women workers consistent with the equal employment opportunity goals set forth in this chapter.

(B) If good faith efforts to meet targeted employment goals have not or cannot be met for each construction trade by adhering to the procedures of (A) above, or if the contractor does not have a referral agreement or arrangement with a union for a construction trade, the contractor or subcontractor agrees to take the following actions:

(1) To notify the public agency compliance officer, the Dept. of LWD, Construction EEO Monitoring Program, and minority and women referral organizations listed by the Division pursuant to N.J.A.C. 17:27-5.3, of its workforce needs, and request referral of minority and women workers;

(2) To notify any minority and women workers who have been listed with it as awaiting available vacancies;

(3) Prior to commencement of work, to request that the local construction trade union refer minority and women workers to fill job openings, provided the contractor or subcontractor has a referral agreement or arrangement with a union for the construction trade;

(4) To leave standing requests for additional referral to minority and women workers with the local construction trade union, provided the contractor or subcontractor has a referral agreement or arrangement with a union for the construction trade, the State Training and Employment Service and other approved referral sources in the area;

(5) If it is necessary to lay off some of the workers in a given trade on the construction site, layoffs shall be conducted in compliance with the equal employment opportunity and nondiscrimination standards set forth in this regulation, as well as with applicable Federal and State court decisions;

(6) To adhere to the following procedure when minority and women workers apply or are referred to the contractor or subcontractor:

(i) The contractor or subcontractor shall interview the referred minority or women worker.

(ii) If said individuals have never previously received any document or certification signifying a level of qualification lower than that required in

order to perform the work of the construction trade, the contractor or subcontractor shall in good faith determine the qualifications of such individuals. The contractor or subcontractor shall hire or schedule those individuals who satisfy appropriate qualification standards in conformity with the equal employment opportunity and non-discrimination principles set forth in this chapter. However, a contractor or subcontractor shall determine that the individual at least possesses the requisite skills, and experience recognized by a union, apprentice program or a referral agency, provided the referral agency is acceptable to the Dept. of LWD, Construction EEO Monitoring Program. If necessary, the contractor or subcontractor shall hire or schedule minority and women workers who qualify as trainees pursuant to these rules. All of the requirements, however, are limited by the provisions of (C) below.

(iii) The name of any interested women or minority individual shall be maintained on a waiting list, and shall be considered for employment as described in (i) above, whenever vacancies occur. At the request of the Dept. of LWD, Construction EEO Monitoring Program, the contractor or subcontractor shall provide evidence of its good faith efforts to employ women and minorities from the list to fill vacancies.

(iv) If, for any reason, said contractor or subcontractor determines that a minority individual or a woman is not qualified or if the individual qualifies as an advanced trainee or apprentice, the contractor or subcontractor shall inform the individual in writing of the reasons for the determination, maintain a copy of the determination in its files, and send a copy to the public agency compliance officer and to the Dept. of LWD, Construction EEO Monitoring Program.

(7) To keep a complete and accurate record of all requests made for the referral of workers in any trade covered by the contract, on forms made available by the Dept. of LWD, Construction EEO Monitoring Program and submitted promptly to the Dept. of LWD, Construction EEO Monitoring Program upon request.

(C) The contractor or subcontractor agrees that nothing contained in (B) above shall preclude the contractor or subcontractor from complying with the union hiring hall or apprenticeship policies in any applicable collective bargaining agreement or union hiring hall arrangement, and, where required by custom or agreement, it shall send journeymen and trainees to the union for referral, or to the apprenticeship program for admission, pursuant to such agreement or arrangement. However, where the practices of a union or

apprenticeship program will result in the exclusion of minorities and women or the failure to refer minorities and women consistent with the targeted county employment goal, the contractor or subcontractor shall consider for employment persons referred pursuant to (B) above without regard to such agreement or arrangement; provided further, however, that the contractor or subcontractor shall not be required to employ women and minority advanced trainees and trainees in numbers which result in the employment of advanced trainees and trainees as a percentage of the total workforce for the construction trade, which percentage significantly exceeds the apprentice to journey worker ratio specified in the applicable collective bargaining agreement, or in the absence of a collective bargaining agreement, exceeds the ratio established by practice in the area for said construction trade. Also, the contractor or subcontractor agrees that, in implementing the procedures of (B) above, it shall, where applicable, employ minority and women workers residing within the geographical jurisdiction of the union.

After notification of award, but prior to signing a construction contract, the contractor shall submit to the public agency compliance officer and the Dept. of LWD, Construction EEO Monitoring Program an initial project workforce report (Form AA-201) electronically provided to the public agency by the Dept. of LWD, Construction EEO Monitoring Program, through its website, for distribution to and completion by the contractor, in accordance with N.J.A.C. 17:27-7. The contractor also agrees to submit a copy of the Monthly Project Workforce Report once a month thereafter for the duration of this contract to the Dept. of LWD, Construction EEO Monitoring Program, and to the public agency compliance officer.

The contractor agrees to cooperate with the public agency in the payment of budgeted funds, as is necessary, for on-the-job and/or off-the-job programs for outreach and training of minorities and women. (D) The contractor and its subcontractors shall furnish such reports or other documents to the Dept. of LWD, Construction EEO Monitoring Program as may be requested by the Dept. of LWD, Construction EEO Monitoring Program from time to time in order to carry out the purposes of these regulations, and public agencies shall furnish such information as may be requested by the Dept. of LWD, Construction EEO Monitoring Program for conducting a compliance investigation pursuant to N.J.A.C. 17:27-1.1 et seq.

44. PROHIBITED ACTIVITIES IN RUSSIA AND BELARUS & INVESTMENT ACTIVITIES IN IRAN

P.L. 2022, c. 3 prohibits the award, renewal, amendment, or extension of State and local public contracts for goods or services with persons or entities engaging in prohibited activities in Russia or Belarus. P.L. 2012, c.25 prohibits the award or renewal of State and local public contracts for goods and services with persons or entities

engaged in certain investment activities in the energy or finance sectors of Iran.

Before a goods and services contract can be entered into, vendors and contractors must certify that neither they nor any parent entity, subsidiary, or affiliate is listed on the New Jersey Department of the Treasury's list of entities determined to be engaged in prohibited activities in Russia or Belarus pursuant to P.L. 2022, c. 3 ("Russia-Belarus list") or in Iran pursuant to P.L. 2012, c. 25 ("Chapter 25 list").

45. COMPLIANCE WITH THE PUBLIC WORKS CONTRACTOR REGISTRATION ACT - (N.J.S.A. 34:11-56.48 et. seq.)

Pursuant to the above-referenced law, Bidders are required to be registered with the New Jersey Department of Labor and Workforce Development and to possess a current certificate by said Department indicating compliance with the Act prior to the time and date that bids are received. Bidders are notified of this requirement of their compliance. Such certificates or applications shall also be provided for each Subcontractor furnishing plumbing and gas fitting, steam and hot water heating and ventilating apparatus, and all kindred work, steam power plants and kindred work, electrical work, structural steel and ornamental iron work, and such other subcontractors as the specifications require relative to prior identification.

46. UTILITIES

Attention of the bidder is directed to the fact that the approximate locations of known utility structures and facilities that may be encountered within and adjacent to the limits of the Work are shown on the plans and described herein. The accuracy and completeness of this information is not guaranteed by the County Engineer and the bidder is advised to ascertain for himself all the facts concerning the location of these and other utilities.

The Contractor will not proceed with his Work until he has made diligent inquiries of all public utility and municipal officials to determine the exact location of all underground structures and pipes within the site of the Project. The Contractor will notify utility owners not less than ten (10) days in advance of the time he proposes to perform any Work that will endanger or affect their facilities in compliance with **New Jersey One-Call**. In excavating in any part of the Work, care must be taken not to remove or damage any gas, water, sewer, or other pipe, conduit, or structure, - public or private - without the concurrence of the owner and the County Engineer. The Contractor will, at his own expense, shore up, secure and maintain a continuous flow in such structures, and will keep them in repair until final acceptance of the Work.

When pipes or other structures are encountered or when the removal, relocation or protection of these utilities are necessary in carrying out the Project as planned, the Contractor will cooperate with the owner of said utilities and will permit the owners or their agents access to the site of the Work in order to relocate or protect their facilities and not hinder or delay unnecessarily the Work of the owners in moving same. No extra allowance of payment will be made to the Contractor for the use of any materials, equipment, etc., or for the performance of any Work in connection with the moving of said structures unless the Contractor is specifically ordered by the County Engineer to furnish such materials, equipment, or services. If directed by the County Engineer to do any Work or furnish any materials or equipment, payment will be allowed the Contractor in accordance with the unit prices bid for such Work, or, if such items are not scheduled in the proposal, such Work shall be allowed "Supplemental Work" as provided in Section 39 of these general specifications. The corporations, companies, agencies or municipalities owning or controlling the utilities, and the name, and telephone numbers are listed in the beginning of the Technical Specifications.

47. MATERIAL COMPLIANCE AND SHOP DRAWINGS

The Contractor will require the manufacturer or supplier to furnish three (3) copies of Certification of Compliance with each delivery of materials, components and manufactured items for the Project. Two (2) copies will be furnished to the County Engineer; one copy will be retained by the Contractor. Certificates of Compliance will contain the following information:

1. Project to which material is consigned;
2. Name of the Contractor to which the material is supplied;
3. Kind of material supplied;
4. Quantity of material represented by the Certificate;
5. Means of identifying the consignment, such as label marking, seal number, etc.;
6. Date and method of shipment;
7. That the material is in conformity with the pertinent specifications stated in the certificate; and
8. Signature of a person having legal authority to bind the supplier.

The Contractor will submit to the County Engineer for his approval five (5) copies of complete and fully detailed shop or working drawings for those items listed in the beginning of the technical specifications.

Each drawing will identify the name of the job, location and Contractor.

All drawings will be approved in accordance with the standard specifications. Refer to the Technical Specifications for specific items.

All materials or articles used in the Work will be of American manufacture, insofar as same are available, in conformance with N.J.S.A. 40A:11-18.

48. PRECONSTRUCTION

In order to provide full coordination of this Project among the parties concerned, the County Engineer will arrange for a preconstruction meeting between the Contractor, County Engineer and other interested parties as soon as possible after the contract is executed. At this meeting the Contractor will present his proposed schedule of Work which shall be subject to review and approval of the County through its designated representatives.

49. DISPUTES UNDER THE CONTRACT

A dispute arising under the Contract shall be submitted in writing to the County Engineer with all facts and supporting data. The County Engineer will review the dispute and issue his decision or request additional facts or documentation after which he will render his decision.

In the event the dispute is not then resolved, the matter shall, pursuant to law, be submitted to mediation before being submitted to a court of competent jurisdiction venued in Union County.

The County Engineer will notify the County Counsel when a matter is to be submitted to mediation. The County Counsel will communicate with the parties and inform them of the procedures to be followed in making such a submission.

50. CONTRACTOR BUSINESS REGISTRATION CERTIFICATE

Pursuant to N.J.S.A. 52:32-44, the County of Union is prohibited from entering into a contract with an entity unless the bidder/proposer/contractor, and each subcontractor that is required by law to be named in a bid/proposal/contract has a valid Business Registration Certificate on file with the Division of Revenue and Enterprise Services within the Department of the Treasury.

Prior to contract award or authorization, the contractor shall provide the County of Union with its proof of business registration and that of any named subcontractor(s).

Subcontractors named in a bid or other proposal shall provide proof of business registration to the bidder, who in turn, shall provide it to the County of Union prior to the time a contract, purchase order, or other contracting document is awarded or authorized.

Proof of registration must show that the bidder was in fact registered with the State of New Jersey Department of the Treasury, Division of Revenue and obtained the business registration prior to the receipt of bids. If subcontractors are named on the bid, proof of the business registration for each must be provided prior to the award of a contract. Similarly, to the bidder, the proof must show that each subcontractor was registered with the State of New Jersey Department of the Treasury, Division of Revenue and obtained the business registration prior to the receipt of bids.

During the course of contract performance:

- 1) the contractor shall not enter into a contract with a subcontractor unless the subcontractor first provides the contractor with a valid proof of business registration.
- 2) the contractor shall maintain and submit to the County of Union a list of subcontractors and their addresses that may be updated from time to time.
- 3) the contractor and any subcontractor providing goods or performing services under the contract, and each of their affiliates, shall collect and remit to the Director of the Division of Taxation in the Department of the Treasury, the use tax due pursuant to the Sales and Use Tax Act, (N.J.S.A. 54:32B-1 et seq.) on all sales of tangible personal property delivered into the State. Any questions in this regard can be directed to the Division of Taxation at (609)292-6400. Form NJ-REG can be filed online at <http://www.state.nj.us/treasury/revenue/busregcert.shtml>.

Before final payment is made under the contract, the contractor shall submit to the County of Union a complete and accurate list of all subcontractors used and their addresses.

Pursuant to N.J.S.A. 54:49-4.1, a business organization that fails to provide a copy of a business registration as required, or that provides false business registration information, shall be liable for a penalty of \$25 for each day of violation, not to exceed \$50,000, for each proof of business registration not properly provided under a contract with a contracting agency.

51. BID PROTEST – LEGAL FEES AND COSTS

In the event a Bidder unsuccessfully challenges a Bid Submission by filing an action in a court of law concerning same, said Bidder shall be responsible for payment of reasonable legal costs and fees incurred by the County relating to said protest.

52. AMERICAN GOODS AND PRODUCTS WHERE POSSIBLE

Bidder shall comply with the requirements of N.J.S.A. 40A:11-18 and use only manufactured and farm products of the United States, wherever available, for the Project.

53. NEW JERSEY PAY-TO-PLAY REQUIREMENTS

This Contract is required by law to be publicly advertised for bids. As such, lists of political contributions pursuant to N.J.S.A. 19:44A-1 et seq. are NOT REQUIRED to be provided with the bids.

54. STATEMENT OF EQUIPMENT TO BE USED IN CONSTRUCTION

Pursuant to N.J.S.A. 40A:11-20 entitled Certificate of Bidder Showing Ability to Perform Contract, the County requires a Certification from all bidders submitting a bid showing that the Bidder owns, leases, or controls all necessary equipment required by the Project Plans and Specifications. All bidders shall provide this information at the time of the bid opening using the attached form entitled, "CERTIFICATE OF BIDDER SHOWING ABILITY TO PERFORM CONTRACT".

If the Bidder is not the actual owner of the equipment, it shall state the source from which the equipment will be obtained and shall attach a certificate from the owner or person in control of the equipment demonstrating that the equipment owner has granted the Bidder control of the requisite equipment during such time as may be necessary for completion of the portion of the contract for which the equipment is necessary.

55. NEW JERSEY SALES AND USE TAX REQUIREMENTS,

Contractors are required to comply with the following:

New Jersey Sales and Use Tax Requirements: All contractors with subcontractors, or any of their affiliates, who enter into contracts for the provision of goods or services with or for New Jersey local government entities, are required to collect and remit to the New Jersey Director of Taxation in the Department of the Treasury the use tax due on all of their sales of tangible personal property delivered into the State of New Jersey pursuant to the "Sales and Use Tax Act," (N.J.S.A. 54:32B-1 et seq.), regardless of whether the tangible personal property is intended for a

contract with the contracting agency. This tax shall be remitted for the term of the Contract.

For purposes herein "affiliate" shall mean any entity that: (a) directly, indirectly, or constructively controls another entity, (b) is directly, indirectly, or constructively controlled by another entity, or (c) is subject to the control of a common entity. For purposes of the immediately preceding sentence, an entity controls another entity if it owns, directly or indirectly, more than fifty percent (50%) of the ownership interest in that entity. NJSA 52:32-44(g)(3).

56. RESOLUTION NO. 2014-408

WHEREAS, the County of Union recognizes there is a need to ensure that all work on significant public construction and maintenance contracts is performed by responsible, qualified firms that maintain the capacity, expertise, personnel, and other qualifications and resources necessary to successfully perform public contracts in a timely, reliable, and cost-effective manner; and

WHEREAS, in order to effectuate the purpose of selecting responsible contractors for significant public contracts and to protect Union County's capital investments in such contracts prospective contractors and subcontractors should be required to meet pre-established, clearly-defined, minimum standards relating to contractor responsibility, including retirements and criteria concerning qualifications, competency) expertise, adequacy of resources, including equipment, financial and personnel, and satisfactory records regarding past project performance, safety, legal compliance and business integrity; and

WHEREAS, the County has a compelling interest in assuring that its Public Works Projects meet the highest standard of safety and quality; and

WHEREAS, due to the critical impact that skilled construction craft labor has on public works projects, and due to the limited availability of skilled construction craft labor and imminent craft labor skill shortages, it is necessary to require contractors and subcontractors to participate in established, formal apprenticeship training programs for the purpose of both promoting successful project delivery and ensuring future workforce development; and

WHEREAS, an apprenticeship program is a structured system of training designed to prepare individuals for occupations and lifelong careers in skilled trades and crafts by providing a wage-paying job that incorporates extensive

workplace and classroom training under the supervision of experienced workers, in preparation for highly skilled occupations; and

WHEREAS, apprenticeship programs are a critical component in public safety, by ensuring that workers on public projects are properly trained, able, competent and capable craftsmen, and provide assurance of compliance with the County's bid specifications and achieve high quality standards; and

WHEREAS, for an apprenticeship program to be fully effective, the public and private sectors must recognize its value and commit to supporting its mission; and

WHEREAS, Union County has long recognized the value of apprenticeship programs through its support of the Union County Vocational-Technical Schools, which offer training programs to help ensure that Union County will continue to produce a skilled and educated work force in the trade specialties, and thus, strengthen Union County's economy by fostering the development of highly paid trade and craft careers; and

WHEREAS, the use of apprenticeship programs or apprenticeship trained employees on Union County Public Works Projects will serve the dual goal of providing the County with assurance that its public works projects are completed with a well-trained workforce, in a highly skilled and timely fashion, while creating opportunities for careers in the skilled trades and craft industry for County residents; and

WHEREAS, the County of Union also recognizes that it is beneficial to their employees to utilize fair business, employment, and training practices that have a positive impact on local communities affected by such contracts:

NOW, THEREFORE, BE IT RESOLVED by the Board of Chosen Freeholders of the County of Union as follows:

1. The County of Union shall require compliance with the provisions of this Resolution by business entities seeking to provide services to the County of Union as specified herein. The requirements of this Resolution are intended to supplement, not replace, existing contractor qualifications and performance standards or criteria currently required by law, public policy or contracting documents, including but not limited to Union County's DPMC classification and Project Labor Agreement policies

2. All contractors and subcontractors that perform significant work on any public facility or public works project, including construction, alteration, renovation, repair, service, or maintenance work, shall meet the requirements of this Resolution. For purposes of this Resolution, the term "significant work" shall be defined as any work or activity covered under the New Jersey Prevailing Wage Act, N.J.S.A. 34:11-56.25 et seq.

3. All firms engaged in contracts covered by this Resolution shall be qualified responsible contractors or subcontractors that have sufficient capabilities in all respects to successfully perform contracts on which they are engaged, including the necessary experience, equipment, technical skills and qualifications and organizational, financial and personnel resources. Firms bidding on public contracts shall also be required to have a satisfactory past performance record and a satisfactory record of legal compliance, integrity and business ethics. Compliance with these standards shall be established by compliance with the requirements set forth in paragraph 8 of this Resolution.

4. As a condition of performing work on public works contracts over the public works threshold, the general contractor shall provide certification that he and each subcontractor working on the project shall have at least one (1) employee who has successfully completed the OSHA 10-hour construction safety and health course. As a condition of performing work on public works contracts of \$500,000.00 or more total cost of project, the general contractor shall provide certification that each subcontractor working on the project shall have at least one (1) employee who has successfully completed the OSHA 30-hour construction safety and health course.

5. All contractors and subcontractors that perform significant work on any public facility or public works project shall be required to affirmatively provide evidence of and confirm compliance with proof of participation in an Apprenticeship Program currently registered and approved by the United States Department of Labor ("USDOL"), the New Jersey Department of Labor ("NJDOL") or any state having equal to or higher requirements as either the USDOL or NJDOL apprenticeship programs. Additionally, Apprenticeship Programs shall meet the criteria set forth in Section 8(i) of this Resolution.

6. As a condition of performing work on public works contracts subject to this Resolution, a general contractor seeking award of a

contract shall submit a Contractor Responsibility Certification at the time it submits its bid for contract.

7. The Contractor Responsibility Certification shall be completed on a form provided by the Union County Purchasing Department and shall reference the project for which a bid is being submitted by name and contract or project number.

8. In the Contractor Responsibility Certification, general contractors and subcontractors shall certify the following facts regarding their past performance and work history and its current qualifications and performance capabilities:

a. The firm has all valid, effective licenses, registrations or certificates required by federal, state, county, or local law, including, but not limited to, licenses, registrations, certificates required to: (1) do business in the designated locale; and (2) perform the contract work it seeks to perform. These shall include, but not be limited to, licenses, registrations or certificates for any type of trade work or specialty work, which the firm proposes to self-perform.

b. The firm meets the bonding requirements for the contract, as required by applicable law or contract specifications and any insurance requirements, as required by applicable law or contract specifications, including general liability insurance, workers compensation insurance and unemployment requirements.

c. The firm has not been debarred by any federal, state or local government agency or authority in the past three (3) years.

d. The firm has not defaulted on any project in the past three (3) years.

e. The firm has not had any type of business, contracting or trade license, registration, or other certification suspended or revoked in the past three (3) years.

f. The firm has not been cited and found guilty for a willful violation of federal or state safety laws in the past three (3) years.

g. The firm and/or its owners have not been convicted of any crime relating to the contracting business by a final decision of a court or government agency in the past three (3) years.

h. The firm will pay all craft employees that it employs on the project the current wage rates and benefits as required under applicable Federal or State prevailing wage laws.

i. The firm participates in an Apprenticeship Program that is currently registered with the USDOL, the NJDOL or any state having equal to or higher requirements as either the USDOL or NJDOL apprenticeship programs, for each craft or trade in which it apprentices. The firm shall provide proof of meeting this qualification standard by submitting appropriate documentation as an attachment to this Certification. The firm shall continue to participate in applicable apprenticeship programs for the full duration of the contract work. The apprenticeship program in which the firm participates shall have graduated at least one (1) enrollee in each of the past three (3) years.

9. The County of Union may conduct any additional inquiries to verify that the prospective awardee and its subcontractors have the technical qualifications and performance capabilities necessary to successfully perform the contract and that the firms have a sufficient record of legal compliance and business integrity to justify the award of a public contract. In conducting such inquiries, the County of Union may seek relevant information from the firm, its prior clients or customers, its subcontractors or any other relevant source.

10. If any provision of this Resolution shall be held to be invalid or unenforceable by a court of competent jurisdiction, any such holding shall not invalidate any other provisions of this Resolution and all remaining provisions shall remain in full force and effect.

NOW, THEREFORE, BE IT RESOLVED by the Board of Chosen Freeholders of the County of Union that it hereby establishes and adopts the Responsible Contractor Policy, and it hereby authorizes the County Manager to sign any and all documents necessary to make said Policy effective immediately.

57. FEDERAL TERMS

TERMS AND CONDITIONS APPLICABLE TO ALL CONTRACTS/PURCHASES

FUNDED, IN WHOLE OR IN PART, BY FEDERAL FUNDS.

The provisions set forth below apply to all contracts funded, in whole or in part, by Federal funds as required by 2 CFR 200.317.

1. CONTRACTING WITH SMALL AND MINORITY BUSINESSES, WOMEN'S BUSINESS ENTERPRISES, AND LABOR SURPLUS AREA FIRMS

Pursuant to 2 CFR 200.321, the State must take all necessary affirmative steps to assure that minority businesses, women's business enterprises, and labor surplus area firms are used when possible. Accordingly, if subawards are to be made the Contractor shall:

- (1) Include qualified small and minority businesses and women's business enterprises on solicitation lists;
- (2) Assure that small and minority businesses, and women's business enterprises are solicited whenever they are potential sources;
- (3) Divide total requirements, when economically feasible, into smaller tasks or quantities to permit maximum participation by small and minority businesses, and women's business enterprises;
- (4) Establish delivery schedules, where the requirement permits, which encourage participation by small and minority businesses, and women's business enterprises; and,
- (5) Use the services and assistance, as appropriate, of such organizations as the Small Business Administration and the Minority Business Development Agency of the Department of Commerce.

2. DOMESTIC PREFERENCE FOR PROCUREMENTS

Pursuant to 2 CFR 200.322, where appropriate, the State has a preference for the purchase, acquisition, or use of goods, products, or materials produced in the United States (including but not limited to iron, aluminum, steel, cement, and other manufactured products). If subawards are to be made the Contractor shall include a preference for the purchase, acquisition, or use of goods, products, or materials produced in the United States (including but not limited to iron, aluminum, steel, cement, and other manufactured products). For purposes of this section:

- (1) "Produced in the United States" means, for iron and steel products, that all manufacturing processes, from the initial melting stage through the application of coatings, occurred in the United States.
- (2) "Manufactured products" means items and construction materials composed in whole or in part of nonferrous metals such as aluminum;

plastics and polymer-based products such as polyvinyl chloride pipe; aggregates such as concrete; glass, including optical fiber; and lumber.

3. PROCUREMENT OF RECOVERED MATERIALS

Where applicable, in the performance of contract, pursuant to 2 CFR 200.323, the contractor must comply with section 6002 of the Solid Waste Disposal Act, as amended by the Resource Conservation and Recovery Act. The requirements of Section 6002 include procuring only items designated in guidelines of the Environmental Protection Agency (EPA) at 40 CFR Part 247 that contain the highest percentage of recovered materials practicable, consistent with maintaining a satisfactory level of competition, where the purchase price of the item exceeds \$ 10,000 or the value of the quantity acquired during the preceding fiscal year exceeded \$10,000; procuring solid waste management services in a manner that maximizes energy and resource recovery; and establishing an affirmative procurement program for procurement of recovered materials identified in the EPA guidelines.

To the extent that the scope of work or specifications in the contract requires the contractor to provide recovered materials the scope of work or specifications are modified to require that as follows.

- i. In the performance of this contract, the Contractor shall make maximum use of products containing recovered materials that are EPA-designated items unless the product cannot be acquired—
 1. Competitively within a timeframe providing for compliance with the contract performance schedule;
 2. Meeting contract performance requirements; or
 3. At a reasonable price.
- ii. Information about this requirement, along with the list of EPA-designated items, is available at EPA's Comprehensive Procurement Guidelines web site, <https://www.epa.gov/smm/comprehensive-procurement-guideline-cpg-program>.
- iii. The Contractor also agrees to comply with all other applicable requirements of Section 6002 of the Solid Waste Disposal Act."

4. EQUAL EMPLOYMENT OPPORTUNITY

Except as otherwise provided under 41 CFR Part 60, all contracts that meet the definition of "federally assisted construction contract" in 41 CFR Part 60-1.3 must include the equal opportunity clause provided under 41 CFR 60-1.4(b), in accordance with Executive Order 11246, "Equal Employment Opportunity" (30 FR 12319, 12935, 3 CFR Part, 1964-1965 Comp., p. 339),

as amended by Executive Order 11375, "Amending Executive Order 11246 Relating to Equal Employment Opportunity," and implementing regulations at 41 CFR part 60, "Office of Federal Contract Compliance Programs, Equal Employment Opportunity, Department of Labor." See, 2 CFR Part 200, Appendix II, para. C.

During the performance of this contract, the contractor agrees as follows:

- (1) The contractor will not discriminate against any employee or applicant for employment because of race, color, religion, sex, sexual orientation, gender identity, or national origin. The contractor will take affirmative action to ensure that applicants are employed, and that employees are treated during employment without regard to their race, color, religion, sex, sexual orientation, gender identity, or national origin. Such action shall include, but not be limited to the following:
Employment, upgrading, demotion, or transfer; recruitment or recruitment advertising; layoff or termination; rates of pay or other forms of compensation; and selection for training, including apprenticeship. The contractor agrees to post in conspicuous places, available to employees and applicants for employment, notices to be provided setting forth the provisions of this nondiscrimination clause.
- (2) The contractor will, in all solicitations or advertisements for employees placed by or on behalf of the contractor, state that all qualified applicants will receive consideration for employment without regard to race, color, religion, sex, sexual orientation, gender identity, or national origin.
- (3) The contractor will not discharge or in any other manner discriminate against any employee or applicant for employment because such employee or applicant has inquired about, discussed, or disclosed the compensation of the employee or applicant or another employee or applicant. This provision shall not apply to instances in which an employee who has access to the compensation information of other employees or applicants as a part of such employee's essential job functions discloses the compensation of such other employees or applicants to individuals who do not otherwise have access to such information, unless such disclosure is in response to a formal complaint or charge, in furtherance of an investigation, proceeding, hearing, or action, including an investigation conducted by the employer, or is consistent with the contractor's legal duty to furnish information.
- (4) The contractor will send to each labor union or representative of workers with which he/she has a collective bargaining agreement or other contract or understanding, a notice to be provided advising the said labor union or workers' representatives of the contractor's commitments under this section, and shall post copies of the notice in conspicuous places available to employees and applicants for employment.

- (5) The contractor will comply with all provisions of Executive Order 11246 of September 24, 1965, and of the rules, regulations, and relevant orders of the Secretary of Labor.
- (6) The contractor will furnish all information and reports required by Executive Order 11246 of September 24, 1965, and by rules, regulations, and orders of the Secretary of Labor, or pursuant thereto, and will permit access to his/her books, records, and accounts by the administering agency and the Secretary of Labor for purposes of investigation to ascertain compliance with such rules, regulations, and orders.
- (7) In the event of the contractor's noncompliance with the nondiscrimination clauses of this contract or with any of the said rules, regulations, or orders, this contract may be canceled, terminated, or suspended in whole or in part and the contractor may be declared ineligible for further Government contracts or federally assisted construction contracts in accordance with procedures authorized in Executive Order 11246 of September 24, 1965, and such other sanctions may be imposed and remedies invoked as provided in Executive Order 11246 of September 24, 1965, or by rule, regulation, or order of the Secretary of Labor, or as otherwise provided by law.
- (8) The contractor will include the portion of the sentence immediately preceding paragraph (1) and the provisions of paragraphs (1) through (8) in every subcontract or purchase order unless exempted by rules, regulations, or orders of the Secretary of Labor issued pursuant to section 204 of Executive Order 11246 of September 24, 1965, so that such provisions will be binding upon each subcontractor or vendor. The contractor will take such action with respect to any subcontract or purchase order as the administering agency may direct as a means of enforcing such provisions, including sanctions for noncompliance:

Provided, however, that in the event a contractor becomes involved in, or is threatened with, litigation with a subcontractor or vendor as a result of such direction by the administering agency, the contractor may request the United States to enter into such litigation to protect the interests of the United States.

The applicant further agrees that it will be bound by the above equal opportunity clause with respect to its own employment practices when it participates in federally assisted construction work: Provided, That if the applicant so participating is a State or local government, the above equal opportunity clause is not applicable to any agency, instrumentality or subdivision of such government which does not participate in work on or under the contract.

The applicant agrees that it will assist and cooperate actively with the administering agency and the Secretary of Labor in obtaining the compliance of contractors and subcontractors with the equal opportunity clause and the rules, regulations, and relevant orders of the Secretary of Labor, that it will furnish the administering agency and the Secretary of Labor such information as they may require for the supervision of such compliance, and that it will otherwise assist the administering agency in the discharge of the agency's primary responsibility for securing compliance.

The applicant further agrees that it will refrain from entering into any contract or contract modification subject to Executive Order 11246 of September 24, 1965, with a contractor debarred from, or who has not demonstrated eligibility for, Government contracts and federally assisted construction contracts pursuant to the Executive Order and will carry out such sanctions and penalties for violation of the equal opportunity clause as may be imposed upon contractors and subcontractors by the administering agency or the Secretary of Labor pursuant to Part II, Subpart D of the Executive Order. In addition, the applicant agrees that if it fails or refuses to comply with these undertakings, the administering agency may take any or all of the following actions: Cancel, terminate, or suspend in whole or in part this grant (contract, loan, insurance, guarantee); refrain from extending any further assistance to the applicant under the program with respect to which the failure or refund occurred until satisfactory assurance of future compliance has been received from such applicant; and refer the case to the Department of Justice for appropriate legal proceedings.

5. DAVIS-BACON ACT, 40 U.S.C. 3141-3148, AS AMENDED

When required by Federal program legislation, all prime construction contracts in excess of \$2,000 shall be done in compliance with the Davis-Bacon Act (40 U.S.C. 3141- 3144, and 3146-3148) and the requirements of 29 C.F.R. pt. 5 as may be applicable. The contractor shall comply with 40 U.S.C. 3141-3144, and 3146-3148 and the requirements of 29 C.F.R. pt. 5 as applicable. Contractors are required to pay wages to laborers and mechanics at a rate not less than the prevailing wages specified in a wage determination made by the Secretary of Labor. Additionally, contractors are required to pay wages not less than once a week. The non-Federal entity must place a copy of the current prevailing wage determination issued by

the Department of Labor in each solicitation. The decision to award a contract or subcontract must be conditioned upon the acceptance of the wage determination. The non-Federal entity must report all suspected or reported violations to the Federal awarding agency.

6. COPELAND ANTI-KICKBACK ACT

Where applicable, the Contractor must comply with Copeland "Anti-Kickback" Act (40 U.S.C. 3145), as supplemented by Department of Labor regulations (29 CFR Part 3, "Contractors and Subcontractors on Public Building or Public Work Financed in Whole or in Part by Loans or Grants from the United States").

- a. Contractor. The Contractor shall comply with 18 U.S.C. § 874, 40 U.S.C. § 3145, and the requirements of 29 C.F.R. pt. 3 as may be applicable, which are incorporated by reference into the OGS centralized contract.
- b. Subcontracts. The Contractor or subcontractor shall insert in any subcontracts the clause above and such other clauses as FEMA may by appropriate instructions require, and also a clause requiring the subcontractors to include these clauses in any lower tier subcontracts. The prime contractor shall be responsible for the compliance by any subcontractor or lower tier subcontractor with all of these contract clauses.
- c. Breach. A breach of the clauses above may be grounds for termination of the OGS centralized contract, and for debarment as a Contractor and subcontractor as provided in 29 C.F.R. § 5.12.

7. CONTRACT WORK HOURS AND SAFETY STANDARDS ACT, 40 U.S.C. 3701-3708

Where applicable, all contracts awarded by the non-Federal entity in excess of \$ 100,000 that involve the employment of mechanics or laborers must comply with 40 U.S.C. 3702 and 3704, as supplemented by Department of Labor regulations (29 CFR Part 5).

- (1) Overtime requirements. No contractor or subcontractor contracting for any part of the contract work which may require or involve the employment of laborers or mechanics shall require or permit any such laborer or mechanic in any workweek in which he or she is employed on such work to work in excess of forty hours in such workweek unless such laborer or mechanic receives compensation at a rate not less than one and one-half times the basic rate of pay for all hours worked in excess of forty hours in such workweek.

- (2) Violation; liability for unpaid wages; liquidated damages. In the event of any violation of the clause set forth in paragraph (b)(1) of this section the contractor and any subcontractor responsible therefor shall be liable for the unpaid wages. In addition, such contractor and subcontractor shall be liable to the United States (in the case of work done under contract for the District of Columbia or a territory, to such District or to such territory), for liquidated damages. Such liquidated damages shall be computed with respect to each individual laborer or mechanic, including watchmen and guards, employed in violation of the clause set forth in paragraph (b)(1) of this section, in the sum of \$27 for each calendar day on which such individual was required or permitted to work in excess of the standard workweek of forty hours without payment of the overtime wages required by the clause set forth in paragraph (b)(1) of this section.
- (3) Withholding for unpaid wages and liquidated damages. The unauthorized user shall upon its own action or upon written request of an authorized representative of the Department of Labor withhold or cause to be withheld, from any moneys payable on account of work performed by the contractor or subcontractor under any such contract or any other Federal contract with the same prime contractor, or any other federally-assisted contract subject to the Contract Work Hours and Safety Standards Act, which is held by the same prime contractor, such sums as may be determined to be necessary to satisfy any liabilities of such contractor or subcontractor for unpaid wages and liquidated damages as provided in the clause set forth in paragraph (b)(2) of this section.
- (4) Subcontracts. The contractor or subcontractor shall insert in any subcontracts the clauses set forth in paragraph (b)(1) through (4) of this section and also a clause requiring the subcontractors to include these clauses in any lower tier subcontracts. The prime contractor shall be responsible for compliance by any subcontractor or lower tier subcontractor with the clauses set forth in paragraphs (b)(1) through (4) of this section.

8. RIGHTS TO INVENTIONS MADE UNDER A CONTRACT OR AGREEMENT

If the Federal award meets the definition of "funding agreement" under 37 CFR § 401.2 (a) and the recipient or subrecipient wishes to enter into a contract with a small business firm or nonprofit organization regarding the substitution of parties, assignment or performance of experimental, developmental, or research work under that "funding agreement," the recipient or subrecipient must comply with the requirements of 37 CFR Part

401, "Rights to Inventions Made by Nonprofit Organizations and Small Business Firms Under Government Grants, Contracts and Cooperative Agreements," and any implementing regulations issued by the awarding agency.

9. CLEAN AIR ACT, 42 U.S.C. 7401-7671Q, AND THE FEDERAL WATER POLLUTION CONTROL ACT, 33 U.S.C. 1251-1387, AS AMENDED

Where applicable, Contracts and subgrants of amounts in excess of \$150,000, must comply with the following:

Clean Air Act

1. The contractor agrees to comply with all applicable standards, orders or regulations issued pursuant to the Clean Air Act, as amended, 42 U.S.C. § 7401 et seq.
2. The contractor agrees to report each violation to the Division of Purchase and Property and understands and agrees that the Division of Purchase and Property will, in turn, report each violation as required to assure notification to the Federal Emergency Management Agency, and the appropriate Environmental Protection Agency Regional Office.
3. The contractor agrees to include these requirements in each subcontract exceeding \$150,000 financed in whole or in part with Federal assistance provided by FEMA.

Federal Water Pollution Control Act

1. The contractor agrees to comply with all applicable standards, orders, or regulations issued pursuant to the Federal Water Pollution Control Act, as amended, 33 U.S.C. 1251 et seq.
2. The contractor agrees to report each violation to the Division of Purchase and Property and understands and agrees that the Division of Purchase and Property will, in turn, report each violation as required to assure notification to the Federal Emergency Management Agency, and the appropriate Environmental Protection Agency Regional Office.
3. The contractor agrees to include these requirements in each subcontract exceeding \$150,000 financed in whole or in part with Federal assistance provided by FEMA.

10. DEBARMENT AND SUSPENSION (EXECUTIVE ORDERS 12549 AND 12689)

- (1) This contract is a covered transaction for purposes of 2 C.F.R. pt. 180 and 2 C.F.R. pt. 3000. As such, the contractor is required to verify that

none of the contractor's principals (defined at 2 C.F.R. § 180.995) or its affiliates (defined at 2 C.F.R. § 180.905) are excluded (defined at 2 C.F.R. § 180.940) or disqualified (defined at 2 C.F.R. § 180.935).

- (2) The contractor must comply with 2 C.F.R. pt. 180, subpart C and 2 C.F.R. pt. 3000, subpart C, and must include a requirement to comply with these regulations in any lower tier covered transaction it enters into.
- (3) This certification is a material representation of fact relied upon by the State or authorized user. If it is later determined that the contractor did not comply with 2 C.F.R. pt. 180, subpart C and 2 C.F.R. pt. 3000, subpart C, in addition to remedies available to the State or authorized user, the Federal Government may pursue available remedies, including but not limited to suspension and/or debarment.
- (4) The bidder or proposer agrees to comply with the requirements of 2 C.F.R. pt. 180, subpart C and 2 C.F.R. pt. 3000, subpart C while this offer is valid and throughout the period of any contract that may arise from this offer. The bidder or proposer further agrees to include a provision requiring such compliance in its lower tier covered transactions.

11. BYRD ANTI-LOBBYING AMENDMENT, 31 U.S.C. 1352

Contractors that apply or bid for an award exceeding \$100,000 must file the required certification. Each tier certifies to the tier above that it will not and has not used Federal appropriated funds to pay any person or organization for influencing or attempting to influence an officer or employee of any agency, a member of Congress, officer or employee of Congress, or an employee of a member of Congress in connection with obtaining any Federal contract, grant or any other award covered by 31 U.S.C. 1352. Each tier must also disclose any lobbying with non-Federal funds that takes place in connection with obtaining any Federal award. Such disclosures are forwarded from tier to tier up to the non-Federal award. Such disclosures are forwarded from tier to tier up to the recipient who in turn will forward the certification(s) to the awarding agency.

12. PROHIBITION ON CERTAIN TELECOMMUNICATIONS AND VIDEO SURVEILLANCE SERVICES OR EQUIPMENT

- (a) Recipients and subrecipients are prohibited from obligating or expending loan or grant funds to:
 - (1) Procure or obtain;
 - (2) Extend or renew a contract to procure or obtain; or
 - (3) Enter into a contract (or extend or renew a contract) to procure or

obtain equipment, services, or systems that uses covered telecommunications equipment or services as a substantial or essential component of any system, or as critical technology as part of any system. As described in Public Law 115–232, section 889, covered telecommunications equipment is telecommunications equipment produced by Huawei Technologies Company or ZTE Corporation (or any subsidiary or affiliate of such entities).

(i) For the purpose of public safety, security of government facilities, physical security surveillance of critical infrastructure, and other national security purposes, video surveillance and telecommunications equipment produced by Hytera Communications Corporation, Hangzhou Hikvision Digital Technology Company, or Dahua Technology Company (or any subsidiary or affiliate of such entities).

(ii) Telecommunications or video surveillance services provided by such entities or using such equipment.

(iii) Telecommunications or video surveillance equipment or services produced or provided by an entity that the Secretary of Defense, in consultation with the Director of the National Intelligence or the Director of the Federal Bureau of Investigation, reasonably believes to be an entity owned or controlled by, or otherwise connected to, the government of a covered foreign country.

13. CONTRACTS FOR MORE THAN THE SIMPLIFIED ACQUISITION THRESHOLD

Contracts for more than the simplified acquisition threshold, which is the inflation adjusted amount determined by the Civilian Agency Acquisition Council and the Defense Acquisition Regulations Council (Councils) as authorized by 41 U.S.C. 1908, must address administrative, contractual, or legal remedies in instances where contractors violate or breach contract terms, and provide for such sanctions and penalties as appropriate.

14. TERMINATION FOR CONVENIENCE PROVISION

All contracts in excess of \$10,000 must address termination for cause and for convenience by the non-Federal entity including the manner by which it will be effected and the basis for settlement.

15. BONDING REQUIREMENTS

For construction or facility improvement contracts or subcontracts exceeding the Simplified Acquisition Threshold, the Federal awarding agency or pass-through entity may accept the bonding policy and requirements of the non-Federal entity provided that the Federal awarding agency or pass-through entity has made a determination that the Federal interest is adequately protected. If such a determination has not been made, the minimum requirements must be as follows:

(a) A bid guarantee from each bidder equivalent to five percent of the bid price. The “bid guarantee” must consist of a firm commitment such as a bid bond, certified check, or other negotiable instrument accompanying a bid as assurance that the bidder will, upon acceptance of the bid, execute such contractual documents as may be required within the time specified.

(b) A performance bond on the part of the contractor for 100 percent of the contract price. A “performance bond” is one executed in connection with a contract to secure fulfillment of all the contractor's requirements under such contract.

(c) A payment bond on the part of the contractor for 100 percent of the contract price. A “payment bond” is one executed in connection with a contract to assure payment as required by law of all persons supplying labor and material in the execution of the work provided for in the contract.

EDWARD T. OATMAN
COUNTY MANAGER

MICHELLE HAGOPIAN, ASSISTANT DIRECTOR
DIRECTOR / DIVISION OF PURCHASING

BID DOCUMENT SUBMISSION CHECKLIST

**ALL SIGNATURES AND SEALS SHALL BE ORIGINALS UNLESS OTHERWISE SPECIFIED
BID SHEETS SHOULD NOT BE SUBMITTED DOUBLE SIDED PAGES, (SINGLE SIDE ONLY)**

EACH BIDDER SHOULD COMPLETE THIS FORM AND INITIAL EACH ENTRY.

DATE COMPLETED: _____

**PLEASE SUBMIT BID DOCUMENTS ON SINGLE SIDED PAPER ONLY, WITH THE EXCEPTION OF THE SURETY
AND BID BOND DOCUMENTS.**

**IN ACCORDANCE WITH THE BID SPECIFICATIONS I HAVE REVIEWED, COMPLETED / EXECUTED AND INCLUDED
THE FOLLOWING FORMS:**

_____ Bid Form Page (**Signed, Dated and Bid on all alternatives applicable to the Work**).

_____ Security in the form of:

_____ Bid bond in an amount equal to 10% of the total amount of this bid not to exceed \$20,000.00; or

_____ Certified check or cashier's check in the amount of 10% of this bid not to exceed \$20,000.00

_____ Consent of Surety form signed by a Surety Company if the total amount of your Bid is over \$36,000.00.

If your bid is accepted, the Surety Company that provided the Consent shall be required to furnish a Performance, Labor and Materials Bond in the amount of 100% of the award of the contract.

The County of Union has provided its Consent of Surety form for your use. The use of this form by your Surety Company will expedite the bid review process and eliminate the possibility of having your bid rejected. If, however, you should need to use another form, please use language similar to that used on the Union County form and avoid making any additions or deletions to the Union County form language. In lieu of the Consent of Surety you may submit a Certified Check in the full amount of the bid.

_____ STATEMENT OF BIDDER OWNERSHIP. Pursuant to N.J.S.A. 52:25-24.2, which includes **BOTH** of the following documents:

- Bidder Signature Page
- Bidder Disclosure Statement (**Fill out 2 pages completely**)

_____ SUBCONTRACTOR IDENTIFICATION. Pursuant to N.J.S.A. 40A:11-16, which includes **BOTH** of the following documents:

- Subcontractor Identification Statement: List of Subcontractors (**only for certain types of work**)
- Subcontractor Identification Certification

_____ Acknowledgement of Addendum form: (**This form is to be used only when an addendum has been added to the specifications**).

_____ A copy of the State of New Jersey Department of the Treasury, Division of Revenue, **Business Registration Certificate ("BRC")** may be included with the bids to expedite the contract process because the bidder is required to provide the County of Union with its proof of business registration and that of any named subcontractor(s) prior to contract award or authorization.

_____ A copy of the State of New Jersey Department of the Treasury, Division of Revenue, **Business Registration Certificate ("BRC")** of all named or listed subcontractors (List of Subcontractors) in a Construction bid may be included with the bid as the BRC(s) for each named or listed subcontractors in order to expedite the contract process. Subcontractors named in a bid or other proposal shall provide proof of business registration to the bidder, who in turn, shall provide it to the County of Union prior to the time a contract, purchase order, or other contracting document is awarded or authorized.

- _____ Affirmative Action Requirement
- _____ Experience Statement
- _____ Certificate of Bidder showing ability to perform Contract
- _____ Non-Collusion Affidavit – Fill out completely and notarize
- _____ Certificates from New Jersey Department of Labor and Workforce Development – Public Works Contractor Registration Act. **(Only for certain types of work)**
- _____ Federal Attachments **(If applicable)**
- _____ NJDPMC Certificate / Notice of Classification **(If applicable)**
- _____ Americans with Disabilities Act
- _____ Statement of Bidder’s Qualifications
- _____ Contractor Performance Record
- _____ Affidavit Regarding List of Debarred, Suspended or Disqualified Bidders
- _____ Prior Negative Experience Questionnaire
- _____ Contractor’s Certification of Compliance – New Jersey Prevailing Wage Act
- _____ Uncompleted Contracts Affidavit **(For Bidder, if applicable) MUST ALSO PROVIDE DPMC FORM 701**
- _____ Certificate of Insurance Statement
- _____ Collection of Use Tax on Sales to Local Government Statement
- _____ Time of Completion
- _____ Prohibited Russia-Belarus Activities & Iran Investment Activities Certification
- _____ Federal Non-Debarment Certification
- _____ BYRD Anti-Lobbying Amendment Certification
- _____ Certification regarding Lobbying
- _____ Disclosure of Lobbying Activities (LLL Form)

I HAVE TAKEN THE FOLLOWING ACTIONS:

- _____ Visited the site and attended the Pre-Bid Meeting **(Where applicable)**
- _____ Reviewed the Contract Documents (including any permits the County or its professionals may have obtained), Work, Site, Locality, and Local Conditions and Laws and Regulations that in any manner may affect Cost, Progress, Performance or Furnishing of Work.
- _____ Reviewed Bond Requirements
- _____ Provided Proof of Compliance with New Jersey Prevailing Wage Act
- _____ Reviewed Form of Owner/Contractor Agreement and General Conditions to the Contract

NOTE: QUESTIONS PERTAINING TO THIS BID ARE TO BE DIRECTED TO THE DIVISION OF PURCHASING AT ucbids@ucnj.org.

BIDDING DOCUMENTS

The Bidding Documents consist of the following items:

- **ADDENDA, if issued**
- **CLARIFICATIONS, if issued**
- **INSTRUCTION TO BIDDERS**
- **BID FORM**
- **SPECIFICATIONS:** **As outlined in the Table of Contents and included in the Project Manual.**
- **DRAWINGS:** **As per List of Drawings, indicated on the Project Title Sheet.**

BID FORM

I/We have carefully examined the plans, specifications, and advertisement for bid for the

**Hydro Rake of Union County Ponds
County of Union, New Jersey
BA# 32-2023 Union County Engineering Project # 2021-012**

that is on file in the Union County Division of Engineering. I/We have inspected the site of the work and will contract to do all the work and furnish all materials mentioned in said plans and specifications. Work will be accomplished in the manner prescribed therein.

BASE BID ITEMS:

ITEM NO	DESCRIPTION	UNIT	CONTRACT QUANTITY	UNIT PRICE	AMOUNT
1	MOBILIZATION	LS	1		
2	TRAFFIC CONTROL MEASURES	LS	1		
3	SOIL EROSION AND SEDIMENT CONTROL	LS	1		
4	HYDRO RAKING (INCLUDING STOCKPILING, LIMESTONE)	CY	1,500		
5	TRUCKING	CY	1,500		
6	MATERIAL DUMPING	TON	2,100		
7	MATERIAL TESTING	LS	1		
8	SITE RESTORATION	LS	1		

TOTAL BASE BID AMOUNT:

Written

Figures

BID CONTINGENCY: (To be used if and when directed by the County)

Twenty Five Thousand Dollars and no cents
Written

\$25,000.00
Figures

TOTAL BASE BID ITEMS PLUS BID CONTINGENCY AMOUNT:

Written

Figures

NOTE: Bid Contingency may include one-half of one percent of contract amount set aside for local training if and when directed by the County.

CONSENT OF SURETY
TO ACCOMPANY PROPOSAL (BID)

_____ (hereinafter called Surety), organized and existing under the laws of the State of _____ duly authorized and qualified to transact business in the State of New Jersey, in consideration of the sum of One Dollar (\$1.00), lawful money of the United States of America, to it in hand paid, receipt whereof is hereby acknowledged, and in consideration, hereby certifies and agrees that if the contract for which the attached proposal is made be awarded to _____ (hereinafter called Contractor) for the performance of certain work and labor or the supplying of certain materials, or both, as more particularly set forth in said proposal and described for purposes of this instrument as a proposal for _____ to the COUNTY OF UNION and if Contractor shall enter into the contract, Surety will become bound as surety for its faithful performance, labor and material payment and will provide the Contractor with a performance, labor and material payment bond in the full amount of the contract price.

NOTE:
Expiration date
Needed if Annual
Surety

NAME OF INSURANCE COMPANY

ADDRESS: _____

ORIGINAL SIGNATURE

ATTORNEY-IN-FACT FOR INSURANCE CO.

NOTE: PROOF OF AUTHORITY OF OFFICERS OF SURETY COMPANY TO EXECUTE THIS DOCUMENT MUST BE SUBMITTED.

BIDDER SIGNATURE PAGE

THE BIDDER MUST READ THE FOLLOWING INSTRUCTIONS TO COMPLETE THIS PAGE:

1. If doing business under a **trade name, partnership or a sole proprietorship**, you must submit the bid under exact title of the trade name, partnership, or proprietorship, and the bid must be signed by either the **owner**, or a **partner** and **witnessed** by a **notary public**.
2. If a **Corporation**, the bid must be signed by the **President** or **Vice President** and **witnessed** by a **Corporate Secretary** (corporate title must be exact) and **affix corporate seal**. If a Corporate Secretary does not exist, President or Vice President's signature shall be witnessed by a Notary Public.
3. Other persons **authorized** by **corporate resolution** to execute agreements in its behalf may also sign the bid documents (pages). **Copy of a resolution must accompany the bid**.
4. The person who signs this bid form **must also** sign the **Non-Collusion Affidavit**.
5. You **cannot** witness your own signature.

NAME OF BIDDER

ADDRESS OF BIDDER

**ORIGINAL SIGNATURE
CORPORATE SECRETARY**

**PRINT NAME AND TITLE
CORPORATE SECRETARY**

TEL: _____
FAX: _____
E-Mail: _____

BY: _____
ORIGINAL SIGNATURE

Corporate Seal

PRINT OR TYPE NAME AND TITLE

WARNING: IF YOU FAIL TO FULLY, ACCURATELY, AND COMPLETELY SUPPLY THE INFORMATION REQUESTED ON THIS PAGE, YOUR BID MAY BE REJECTED.

STATEMENT OF OWNERSHIP DISCLOSURE

N.J.S.A. 52:25-24.2 (P.L. 1977, c.33, as amended by P.L. 2016, c.43)

This statement shall be completed, certified to, and included with all bid and proposal submissions. Failure to submit the required information is cause for automatic rejection of the bid or proposal.

Name of Organization: _____

Organization Address: _____

Part I Check the box that represents the type of business organization:

Sole Proprietorship (skip Parts II and III, execute certification in Part IV)

Non-Profit Corporation (skip Parts II and III, execute certification in Part IV)

For-Profit Corporation (any type) Limited Liability Company (LLC)

Partnership Limited Partnership Limited Liability Partnership (LLP)

Other (be specific): _____

Part II

The list below contains the names and addresses of all stockholders in the corporation who own 10 percent or more of its stock, of any class, or of all individual partners in the partnership who own a 10 percent or greater interest therein, or of all members in the limited liability company who own a 10 percent or greater interest therein, as the case may be. **(COMPLETE THE LIST BELOW IN THIS SECTION)**

OR

No one stockholder in the corporation owns 10 percent or more of its stock, of any class, or no individual partner in the partnership owns a 10 percent or greater interest therein, or no member in the limited liability company owns a 10 percent or greater interest therein, as the case may be. **(SKIP TO PART IV)**

(Please attach additional sheets if more space is needed):

Name of Individual or Business Entity	Address

Part III DISCLOSURE OF 10% OR GREATER OWNERSHIP IN THE STOCKHOLDERS, PARTNERS OR LLC MEMBERS LISTED IN PART II

If a bidder has a direct or indirect parent entity which is publicly traded, and any person holds a 10 percent or greater beneficial interest in the publicly traded parent entity as of the last annual federal Security and Exchange Commission (SEC) or foreign equivalent filing, ownership disclosure can be met by providing links to the website(s) containing the last annual filing(s) with the federal Securities and Exchange Commission (or foreign equivalent) that contain the name and address of each person holding a 10% or greater beneficial interest in the publicly traded parent entity, along with the relevant page numbers of the filing(s) that contain the information on each such person. **Attach additional sheets if more space is needed.**

Website (URL) containing the last annual SEC (or foreign equivalent) filing	Page #'s

Please list the names and addresses of each stockholder, partner or member owning a 10 percent or greater interest in any corresponding corporation, partnership and/or limited liability company (LLC) listed in Part II **other than for any publicly traded parent entities referenced above**. The disclosure shall be continued until names and addresses of every noncorporate stockholder, and individual partner, and member exceeding the 10 percent ownership criteria established pursuant to N.J.S.A. 52:25-24.2 has been listed. **Attach additional sheets if more space is needed.**

Stockholder/Partner/Member and Corresponding Entity Listed in Part II	Address

Part IV Certification

I, being duly sworn upon my oath, hereby represent that the foregoing information and any attachments thereto to the best of my knowledge are true and complete. I acknowledge: that I am authorized to execute this certification on behalf of the bidder/proposer; that the **County of Union** is relying on the information contained herein and that I am under a continuing obligation from the date of this certification through the completion of any contracts with **County of Union** to notify the **County of Union** in writing of any changes to the information contained herein; that I am aware that it is a criminal offense to make a false statement or misrepresentation in this certification, and if I do so, I am subject to criminal prosecution under the law and that it will constitute a material breach of my agreement(s) with the, permitting the **County of Union** to declare any contract(s) resulting from this certification void and unenforceable.

Full Name (Print):		Title:	
Signature:		Date:	

SUBCONTRACTOR IDENTIFICATION STATEMENT

LIST OF SUBCONTRACTORS

This form is ONLY required for plumbing and gas fitting, steam and hot water heating and ventilating apparatus, steam power plants, electrical work, structural steel, ornamental iron work, and any other trades required to be identified by the specifications (including, but not limited, to satisfying any DPMC Classification requirements).

CHECK THIS BOX IF NONE OF THE ABOVE LISTED TRADES OR THOSE REQUIRED TO BE IDENTIFIED IN THE SPECIFICATIONS ARE TO BE USED TO PERFORM THE WORK

In compliance with N.J.S.A. 40A:11-16 and the bid specifications, the undersigned hereby lists the name or names of the following subcontractors:

Company Name: _____

Address: _____

Telephone: _____ Subcontract Amount: \$ _____

Specific Scope of Work Subcontracted: _____

License No. _____

Company Name: _____

Address: _____

Telephone: _____ Subcontract Amount: \$ _____

Specific Scope of Work Subcontracted: _____

License No. _____

Company Name: _____

Address: _____

Telephone: _____ Subcontract Amount: \$ _____

Specific Scope of Work Subcontracted: _____

License No. _____

IF MORE THAN THREE SUBCONTRACTORS, PLEASE COPY THIS SHEET AS NECESSARY AND ATTACH TO THE BID PACKAGE.

(Continued on following page)

SUBCONTRACTOR IDENTIFICATION CERTIFICATION

Note the law does not permit the listing of alternate subcontractors. However, multiple subcontractors for the same trade are permitted to be named provided the bidder meets the following requirements:

- Bidder identifies each subcontractor named for that category;
- Bidder states the scope of work, goods and services (the portion of the work) to be performed by each subcontractor; and
- Bidder provides the price quote provided by each subcontractor.

The bidder is advised that any change of subcontractor(s) from ones listed herein is subject to the County's approval. Change of subcontractor(s) will be approved only if made for good cause and not as a result of an arbitrary purpose.

The undersigned Bidder certifies and declares that the subcontractors listed above shall be used as subcontractors to complete certain portions of the work in this project as set forth in N.J.S.A. 40A: 11-16.

Witness

Date _____

NAME OF BIDDER

ADDRESS

By: _____
ORIGINAL SIGNATURE ONLY

PRINT NAME AND TITLE

ACKNOWLEDGMENT OF ADDENDUM

COUNTY OF UNION

(Name of Construction /Public Works Project)

(Project or Bid Number)

Pursuant to N.J.S.A. 40A:11-23.1a., the undersigned bidder, hereby acknowledges receipt of the following notices, revisions, or addenda to the bid advertisement, specifications or bid documents. By indicating date of receipt, bidder acknowledges the submitted bid takes into account the provisions of the notice, revision or addendum. Note that the County of Union's record of notice to bidders shall take precedence and that failure to include provisions of changes in a bid proposal may be subject for rejection of the bid.

Local Unit Reference Number or Title of Addendum/Revision	How Received (mail, fax, pick- up, etc.)	Date Received

ACKNOWLEDGMENT BY BIDDER:

NAME OF BIDDER: _____

ORIGINAL SIGNATURE: _____

PRINTED NAME AND TITLE: _____

DATE: _____

CONTRACTOR BUSINESS REGISTRATION CERTIFICATE

New Mandatory Requirement - Effective 1/18/2010

The recently enacted **P.L. 2009, c.315**, requires that effective January 18, 2010; a contracting agency must receive proof of the bidder's business registration prior to the award of a contract. However, the proof must show that the bidder was in fact registered with the State of New Jersey Department of the Treasury, Division of Revenue and obtained the business registration prior to the receipt of bids.

If subcontractors are named on the bid, proof of the business registration for each subcontractor must be provided prior to the award of bid. Similarly to the bidder, the proof must show that each subcontractor was registered with the State of New Jersey Department of the Treasury, Division of Revenue and obtained the business registration prior to the receipt of bids.

Proof of business registration shall be

- A copy of a Business Registration Certificate issued by the Department of the Treasury, Division of Revenue;
- or
- A copy of the web version provided by the NJ Division of Revenue, or

Register online at www.nj.gov/treasury/revenue/taxreg.htm. Click the "online" link and then select "Register for Tax and Employer Purposes or call the Division at 609-292-1730.

Note: A NJ Certificate of Authority is not acceptable.

FAILURE to submit proof of registration of the bidder or any subcontractor named on the bid prior to the award of a contract shall be cause to reject the bids.

FAILURE of the bidder or any subcontractor named on the bid to be registered prior to the receipt of bids is cause for a **MANDATORY REJECTION** of bids. (A NON-WAIVABLE DEFECT). This covers construction work as well as non-construction bids.

IN ADDITION:

The contractor shall provide written notice to all **subcontractors and suppliers** not specifically named on the bid of the responsibility to register and submit proof of business registration to the contractor. The requirement of proof of business registration extends down through all levels (tiers) of the project.

Before final payment on the contract is made by the contracting agency, the contractor shall submit an accurate list and the proof of business registration of each subcontractor or supplier used in the fulfillment of the contract, or shall attest that no subcontractors were used.

For the term of the contract, the contractor and each of its affiliates and a subcontractor and each of its affiliates [N.J.S.A. 52:32-44(g)(3)] shall collect and remit to the Director, New Jersey Division of Taxation, the use tax due pursuant to the Sales and Use Tax Act on all sales of tangible personal property delivered into this State, regardless of whether the tangible personal property is intended for a contract with a contracting agency.

A business organization that fails to provide a copy of a business registration as required pursuant to section 1 of P.L.2001,c.134 (C.52:32-44 et al.) or subsection e. or f. of section 92 of P.L.1977,c.110 (C.5:12-92), or that provides false business registration information under the requirements of either of those sections, shall be liable for a penalty of \$25 for each day of violation, not to exceed \$50,000 for each business registration copy not properly provided under a contract with a contracting agency.

BUSINESS REGISTRATION

Pursuant to N.J.S.A. 52:32-44, the County of Union is prohibited from entering into a contract with an entity unless the bidder/proposer/contractor, and each subcontractor that is required by law to be named in a bid/proposal/contract has a valid Business Registration Certificate on file with the Division of Revenue and Enterprise Services within the Department of the Treasury.

Prior to contract award or authorization, the contractor shall provide the County of Union with its proof of business registration and that of any named subcontractor(s).

Subcontractors named in a bid or other proposal shall provide proof of business registration to the bidder, who in turn, shall provide it to the County of Union prior to the time a contract, purchase order, or other contracting document is awarded or authorized.

Proof of registration must show that the bidder was in fact registered with the State of New Jersey Department of the Treasury, Division of Revenue and obtained the business registration prior to the receipt of bids. If subcontractors are named on the bid, proof of the business registration for each must be provided prior to the award of a contract. Similarly to the bidder, the proof must show that each subcontractor was registered with the State of New Jersey Department of the Treasury, Division of Revenue and obtained the business registration prior to the receipt of bids.

During the course of contract performance:

- (1) the contractor shall not enter into a contract with a subcontractor unless the subcontractor first provides the contractor with a valid proof of business registration.
- (2) the contractor shall maintain and submit to the County of Union a list of subcontractors and their addresses that may be updated from time to time.
- (3) the contractor and any subcontractor providing goods or performing services under the contract, and each of their affiliates, shall collect and remit to the Director of the Division of Taxation in the Department of the Treasury, the use tax due pursuant to the Sales and Use Tax Act, (N.J.S.A. 54:32B-1 et seq.) on all sales of tangible personal property delivered into the State. Any questions in this regard can be directed to the Division of Taxation at (609)292-6400. Form NJ-REG can be filed online at <http://www.state.nj.us/treasury/revenue/busregcert.shtml>.

Before final payment is made under the contract, the contractor shall submit to the County of Union a complete and accurate list of all subcontractors used and their addresses.

Pursuant to N.J.S.A. 54:49-4.1, a business organization that fails to provide a copy of a business registration as required, or that provides false business registration information, shall be liable for a penalty of \$25 for each day of violation, not to exceed \$50,000, for each proof of business registration not properly provided under a contract with a contracting agency.

STATE OF NEW JERSEY
BUSINESS REGISTRATION CERTIFICATE
FOR STATE AGENCY AND CASINO SERVICE CONTRACTORS

TAXPAYER NAME: TAX REGISTRATION TEST ACCOUNT
TRADE NAME: CLIENT REGISTRATION
TAXPAYER IDENTIFICATION: 010-007-382/000
SEQUENCE NUMBER: 01007510
ADDRESS: 847 ROEBLING AVE, TRENTON, NJ 08611
ISSUANCE DATE: 07/14/04

DEPARTMENT OF TREASURY
DIVISION OF REVENUE
10000 000
TRENTON, N.J. 08646

FORM-BRC(08/04)

The Certificate is NOT assignable or transferable. It must be conspicuously displayed at above address.

STATE OF NEW JERSEY
BUSINESS REGISTRATION CERTIFICATE

Taxpayer Name: TAX REG TEST ACCOUNT
Trade Name:
Address: 847 ROEBLING AVE, TRENTON, NJ 08611
Certificate Number: 1093907
Date of Issuance: October 14, 2004

For Office Use Only:
20041014112823533

ATTACH BRC HERE

AFFIRMATIVE ACTION REQUIREMENT

REQUIRED AFFIRMATIVE ACTION EVIDENCE

General Requirements of P.L. 1975, c. 127: You are hereby put on notice that:

CONSTRUCTION CONTRACTS: The successful contractor must submit within three (3) days of the notice of intent to award or the signing of the contract the initial project manning report (A.A.201). This report should be submitted at the time the signed contract is returned to the County of Union. Attention: *Affirmative Action Officer*.

If the successful contract does not submit the initial project manning report (A.A.201) within the three (3) days from the time the signed contract is returned to the County of Union, the County of Union WILL declare the contractor non-responsive and award the contract to the next lowest responsible bidder.

NAME OF BIDDER

ORIGINAL SIGNATURE

PRINT OR TYPE NAME AND TITLE

DATE THIS FORM IS COMPLETED

EXPERIENCE STATEMENT

I hereby certify that my company has performed the following private or public work, which is relevant to this bid. I further certify that my company has never defaulted under any contract. Should you not sign this form due to prior defaults, please provide details on an attached sheet.

Witness

Date

NAME OF BIDDER

ADDRESS

By: _____
ORIGINAL SIGNATURE ONLY

PRINT NAME AND TITLE

YOU MAY ATTACH ADDITIONAL SHEETS, BUT YOU MUST SIGN AND WITNESS THIS SHEET.

NON-COLLUSION AFFIDAVIT

(N.J.S.A. 52:34-15)

STATE OF _____)
) SS: _____
COUNTY OF _____)

I _____, of the City of _____, in the County of _____, and the State of _____, of full age, being duly sworn according to law, on my oath depose and say that: I am _____ of the firm of _____, the bidder making the proposal for the above named project, and that I executed the said proposal for the above named project, and that I executed the said proposal with full authority to do so; that said bidder has not, directly or indirectly, entered into any agreement, participation in any collusion, or otherwise taken any action in restraint of free, competitive bidding in connection with the above named project; and that all statements contained in said proposal and in this Affidavit are true and correct, and made with full knowledge that the COUNTY OF UNION, NEW JERSEY relies upon the truth of the statements contained in said proposal and in the statements contained in the affidavit in awarding the contract for the said project.

I further warrant that no person or selling agency has been employed or retained to solicit or secure such contract upon an agreement or understanding for a commission, percentage, brokerage or contingent fee, except bona fide employees or bonafide established commercial or selling agencies maintained by _____ (N.J.S.A. 52:34-15).

NAME OF BIDDER

ORIGINAL SIGNATURE ONLY

NOTE: The person who signed the bidder signature page for the bidder should sign this form also.

Subscribed and sworn to before me

this _____ day of _____, 20__.

(Seal) Notary Public of New Jersey/ _____
Specify Other State

My Commission Expires _____, 20__.

WARNING: IF YOU FAIL TO FULLY, ACCURATELY, AND COMPLETELY FILL OUT THIS AFFIDAVIT OF NON-COLLUSION, YOUR BID MAY BE REJECTED.

Contractor Registration Advisement

For Public Works Projects

A new law, known as "The Public Works Contractor Registration Act" (P.L. 1999, c.238), became effective April 11, 2000. Under the Act, no contractor/subcontractor will be permitted to bid on or engage in any contract for public work, as defined in Section 2 of P.L. 1963, c.150 (C:34:11-56.26), unless that contractor/subcontractor is registered with the New Jersey Department of Labor and Workforce Development. The Act provides that upon registration with the Department, a public works contractor/subcontractor will be issued a certificate by the Department indicating compliance with the Act's requirements. The registration fee has been set at \$300.00 per year. Upon the effective date of the Act, public bodies will be expected to request production of such a certificate from those bidding on or engaging in public works projects.

It is important to note that the term "contractor," is defined in the, Act as, "a person, partnership, association, joint stock company, trust, corporation or other legal business entity or successor thereof who enters into a contract which is subject to the provision of the "New Jersey Prevailing Wage Act," P.L. 1963, c.150 (C.34:11-56.25, et seq.) for the construction, reconstruction, demolition, alteration, repair or maintenance of a public building regularly open to and used by the general public or a public institution, and includes any subcontractor or lower tier subcontractor as defined herein: except that, for the purposes of the act, no pumping station, treatment plant or other facility associated with utility and environmental construction, reconstruction, demolition, alteration, repair or maintenance shall be regarded as a public building regularly open to and used by the general public or a public institution."

Registration forms, copies of the Act, and other relevant information can be obtained by contacting:

Contractor Registration Unit
New Jersey Department of Labor and Workforce Development
Division of Wage & Hour Compliance
PO Box 389
Trenton, New Jersey 08625-0389
Telephone: 609-292-9464
Fax: 609-633-8591
E-mail: contreg@dol.state.nj.us

AMERICANS WITH DISABILITIES ACT
EQUAL OPPORTUNITY FOR INDIVIDUALS WITH DISABILITIES

The contractor and the County of Union (hereafter "Owner") do hereby agree that the provisions of Title II of the Americans With Disabilities Act of 1990 (the "Act") (42 US.C. S12101 et seq.), which prohibits discrimination on the basis of disability by public entities in all services, programs and activities provided or made available by public entities, and the rules and regulations promulgated pursuant thereunto, are made a part of this contract. In providing any aid, benefit, or service on behalf of the Owner pursuant to this contract, the contractor agrees that the performance shall be in strict compliance with the Act. In the event the contractor, its agents, servants, employees, or subcontractors violate or are alleged to have violated the Act during the performance of this contract, the contractor shall defend the Owner in any action or administrative proceeding commenced pursuant to this Act. The contractor shall indemnify, protect, and save harmless the Owner, its agents, servants, and employees from and against any and all suits, claims, losses, demands, or damages of whatever kind or nature arising out of or claimed to arise out of the alleged violation. The contractor shall, at its own expense, appear, defend, and pay any and all charges for legal services and any and all costs and other expenses arising from such action or administrative proceeding or incurred in connection therewith. In any and all complaints brought pursuant to the Owner's grievance procedure, the contractor agrees to abide by any decision of the Owner which is rendered pursuant to said grievance procedure. If any action or administrative proceeding results in an award of damages against the Owner, or if the Owner incurs any expense to cure a violation of the ADA which has been brought pursuant to its grievance procedure, the contractor shall satisfy and discharge the same at its own expense.

The Owner shall, as soon as practicable after a claim has been made against it, give written notice thereof to the contractor along with full and complete particulars of the claim. If any action or administrative proceeding is brought against the Owner or any of its agents, servants, and employees, the Owner shall expeditiously forward or have forwarded to the contractor every demand, complaint, notice, summons, pleading, or process received by the Owner or its representatives.

It is expressly agreed and understood that any approval by the Owner of the services provided by the contractor pursuant to this contract will not relieve the contractor of the obligation to comply with the Act and to defend, indemnify, protect, and save harmless the Owner pursuant to this paragraph.

It is further agreed and understood that the Owner assumes no obligation to indemnify or save harmless the contractor, its agents, servants, employees and subcontractors for any claim which may arise out of their performance of this Agreement. Furthermore, the contractor expressly understands and agrees that the provisions of this indemnification clause shall in no way limit the contractor's obligations assumed in this Agreement, nor shall they be construed to relieve the contractor from any liability, nor preclude the Owner from taking any other actions available to it under any other provisions of this Agreement or otherwise at law.

Name _____ (Please print or type)

Signature _____ Date _____

STATEMENT OF BIDDER'S QUALIFICATIONS

All questions must be answered and the data given must be clear and comprehensive. This statement must be notarized. Questions may be answered on separate attached sheets. The Bidder may submit any additional information it desires.

1. _____
(Name of Bidder)

2. _____
(Permanent Main Office Address)

3. _____
(When Organized)

4. _____
(If a Corporation, where incorporated)

5. Number of years your organization has been engaged in construction or contracting business under present firm or trade name? _____

6. How many years of experience in construction work has your organization had (a) as a general contractor? And/or (b) As a subcontractor? _____

7. Contracts on hand: (Attach a list or table showing gross amounts of each Contract and the appropriate dates of completion) _____

8. General character of work performed by you. _____

9. Have you ever failed to complete any work awarded to you? _____

10. Have you ever defaulted on a Contract? _____ If so, complete details, including where and why?

STATEMENT OF BIDDER'S QUALIFICATIONS - (continued)

11. Has any officer or partner of your organization ever failed to complete a construction contract handled in its own name? If so, state name of individual, name of owner, location and type of project, and reason for the failure to complete. _____

12. List your major equipment available for this Contract.

13. Experience in the construction work similar in importance to this Project.

14. Have you had any material adverse changes from the trades as listed in NJ Notice of Classification within last five (5) years? _____. If so, list prior classification.

15. Background and experience of the principal members of your organization, including the officers.

Individual's Name	Present Position or Office	Yrs. of Construction Experience	Magnitude & Type of Work	In What Capacity

16. Bank Reference. (Name, Address, Phone, Representative) _____

17. Will you, upon request, fill out a detailed financial statement? _____

18. The undersigned, hereby authorizes and requests any person, firm or corporation to furnish any information requested by the proper agency in verification of the responses comprising this Statement of Bidder's Qualifications.
19. Bidder's telephone number, fax number and e-mail address (if applicable).
- Phone _____
- Fax _____
- E-mail _____
- Mobile _____

Dated at _____ this _____ day of __, 20__.

BIDDER (Signature)

BIDDER (Print Name)

Subscribed and sworn to before me

this _____ day of _____, 20__.

(Seal) Notary Public of New Jersey/ _____
Specify Other State

My Commission Expires _____, 20__.

NOTE: FAILURE TO COMPLETE AND SUBMIT THIS DOCUMENT WITH YOUR PROPOSAL MAY RESULT IN A REJECTION OF YOUR BID.

CONTRACTOR PERFORMANCE RECORD

List all contracts completed by you below or provide separate form.

Name of Owner	Name & Location of Project: Type Of Work	Prime or Sub-Cont.	Engineer or Architect in Charge for Owner	Contract Price (Omit Cost)	Date Completed	Was Time* Extension Necessary	Were Any Penalties Imposed	Were Liens* Claims or Stop Notice Filed

* If answer is YES, provide explanation of details in connection with non-completion of contracts, time extensions, penalties imposed, labor troubles, liens, claims and notices filed against contracts listed in preceding item "Performance Record" on an attached sheet.

NOTE: FAILURE TO COMPLETE AND SUBMIT THIS DOCUMENT WITH YOUR PROPOSAL MAY RESULT IN A REJECTION OF YOUR BID.

CONTRACTOR PERFORMANCE RECORD
CERTIFICATION

The information above is true and complete to the best of my knowledge and belief.

(Name of Organization)

(Signature)

(Title)

Subscribed and sworn to before me

this _____ day of _____, 20__.

(Seal) Notary Public of New Jersey/ _____
Specify Other State

My Commission Expires _____, 20__.

PRIOR NEGATIVE EXPERIENCE QUESTIONNAIRE

(N.J.S.A. 40A:11-4)

1. Within the past ten (10) years, have you been found, through either court adjudication, arbitration, mediation, or other contractually stipulated alternate dispute resolution mechanism, to have: failed to provide or perform goods or services; or failed to complete a contract in a timely manner; or otherwise performed unsatisfactorily under a prior contract with a public entity?

_____ yes _____ no If yes, please provide full, detailed explanation.

2. Within the past ten (10) years, have you defaulted on a contract, thereby requiring a public entity to utilize the services of another contractor to provide the goods or perform the services or to correct or complete the contract?

_____ yes _____ no If yes, please provide full, detailed explanation.

3. Within the past ten (10) years, have you defaulted on a contract, thereby requiring a public entity to look to your surety for completion of the contract or tender of the costs of completion?

_____ yes _____ no If yes, please provide full, detailed explanation.

4. Within the past ten (10) years, have you been debarred or suspended from contracting with any of the agencies or department of the executive branch of the State of New Jersey at the time of the contract award, where the action was based on failure to perform a contract for goods or services with a public entity?

_____ yes _____ no If yes, please provide full, detailed explanation.

PRIOR NEGATIVE EXPERIENCE CERTIFICATION

I hereby certify that the above statements are true and accurate as of this _____ day of _____, 20__.

Name of Contractor

By _____
(Signature of Authorized Representative)

Subscribed and sworn to before me

this _____ day of _____, 20__.

(Seal) Notary Public of New Jersey/ _____
Specify Other State

My Commission Expires _____, 20__.

NOTE: FAILURE TO COMPLETE AND SUBMIT THIS DOCUMENT WITH YOUR PROPOSAL MAY RESULT IN A REJECTION OF YOUR BID.

TO BE COMPLETED ONLY WHEN FINAL PAYMENT IS REQUESTED

CONTRACTOR'S CERTIFICATION OF COMPLIANCE - NEW JERSEY PREVAILING WAGE ACT

TO: County of Union
Division of Engineering
2325 South Avenue
Scotch Plains, New Jersey 07076

CONTRACT:

PROJECT:

In accordance with the requirements of the New Jersey Prevailing Wage Act, N.J.S.A. 34:11-56 et al *, the undersigned contractor on the public work being performed for:

COUNTY OF UNION

hereby certifies that he/she has complied with the contract requirements regarding the payment of the minimum prevailing wages established under "The New Jersey Prevailing Wage Act" N.J.S.A. 34:11-56 et al.

CONTRACTOR: _____
ADDRESS: _____

BY: _____
ORIGINAL SIGNATURE ONLY

STATE OF NEW JERSEY
COUNTY OF _____

Being by me duly sworn according to law, on his oath deposes and says that _____ is _____ of _____ the above named contractor, and that the facts set forth in the above statement are true.

Subscribed and sworn to before me

this _____ day of _____, 20__.

(Seal) Notary Public of New Jersey/_____
Specify Other State

My Commission Expires _____, 20__.

* N.J.S.A. 34:11-56.33 requires the contractor and subcontractor to file written statements with the public body in form satisfactory to the Commissioner certifying to the amounts then due and owing from such contractor and subcontractor filing such statement to any and all workmen for wages due on account of the public work, setting forth therein the names of the persons whose wages are unpaid and the amount due to each respectively. Union County will withhold the amount so deducted for the benefit of the workmen whose wages are unpaid as shown by the verified statement filed, and will pay directly to any workman the amount shown by such statement to be due to him for such wages. Such payment shall thereby discharge the obligation of the contractor to the person receiving such payment to the extent of the amount thereof.

UNCOMPLETED CONTRACTS AFFIDAVIT

(To be Submitted with DPMC Form 701)

PURSUANT TO N.J.A.C. 17:19-2.13, BIDDER DECLARES THE FOLLOWING WITH RESPECT TO ITS UNCOMPLETED CONTRACTS, ON ALL WORK, FROM WHATEVER SOURCE (PUBLIC AND PRIVATE), BOTH IN NEW JERSEY AND FROM OTHER GOVERNMENTAL JURISDICTIONS

ENTITY	PROJECT TITLE	ORIGINAL CONTRACT AMOUNT	UNCOMPLETED AMOUNT AS OF BID OPENING DATE	NAME AND TELEPHONE NUMBER OF PARTY TO BE CONTACTED FROM ENTITY FOR VERIFICATION

TOTAL AMOUNT OF UNCOMPLETED CONTRACTS \$ _____

BIDDER:

(Signature)

(Print Name)

Subscribed and sworn to before me

this _____ day of _____, 20__.

(Seal) Notary Public of New Jersey/ _____
Specify Other State

My Commission Expires _____, 20__.

NOTE: FAILURE TO COMPLETE AND SUBMIT THIS DOCUMENT WITH YOUR PROPOSAL MAY RESULT IN A REJECTION OF YOUR BID.

CERTIFICATE OF INSURANCE STATEMENT

The Bidder fully understands the County of Union insurance requirements as stated in the Instructions to Bidders as well as the Owner/Contractor Agreement and agrees to provide all insurance required by these documents prior to the issuance of the Notice to Proceed.

BIDDER (Signature)

BIDDER (Print Name)

NOTE: FAILURE TO COMPLETE AND SUBMIT THIS DOCUMENT WITH YOUR PROPOSAL MAY RESULT IN A REJECTION OF YOUR BID.

COLLECTION OF USE TAX ON SALES TO LOCAL GOVERNMENTS STATEMENT

The Bidder fully understands the requirements of the use tax on sales to local governments as stated in the General Conditions to the Contract for Construction and the Instructions to Bidders, and agrees at all times to comply with the "Contractor Use Tax Collection Legislation", as defined therein, and the terms relating thereto contained in the Contract Documents.

BIDDER (Signature)

BIDDER (Print Name)

NOTE: FAILURE TO COMPLETE AND SUBMIT THIS DOCUMENT WITH YOUR PROPOSAL MAY RESULT IN A REJECTION OF YOUR BID.

TIME OF COMPLETION

The undersigned proposed that if awarded the Contract, the scope of work will be started within ten (10) calendar days and will be substantially completed within 60 **calendar days** from the date of the notice to proceed.

I, _____ of _____
NAME (Print or type) COMPANY

Agree to complete work in the time frame specified _____
SIGNATURE

SITE VISIT – GENERAL CONTRACTOR

I, _____ of _____
NAME (Print or type) COMPANY

Visited the site of the work on _____
SIGNATURE

Prohibited Russia-Belarus Activities & Iran Investment Activities

Person or
Entity

Part 1: Certification

COMPLETE PART 1 BY CHECKING ONE OF THE THREE BOXES BELOW

Pursuant to law, any person or entity that is a successful bidder or proposer, or otherwise proposes to enter into or renew a contract, for goods or services must complete the certification below prior to contract award to attest, under penalty of perjury, that neither the person or entity, nor any parent entity, subsidiary, or affiliate, is identified on the Department of Treasury's Russia-Belarus list or Chapter 25 list as a person or entity engaging in prohibited activities in Russia, Belarus or Iran. Before a contract for goods or services can be amended or extended, a person or entity must certify that neither the person or entity, nor any parent entity, subsidiary, or affiliate, is identified on the Department of Treasury's Russia-Belarus list. Both lists are found on Treasury's website at the following web addresses:

<https://www.nj.gov/treasury/administration/pdf/RussiaBelarusEntityList.pdf>
www.state.nj.us/treasury/purchase/pdf/Chapter25List.pdf.

As applicable to the type of contract, the above-referenced lists must be reviewed prior to completing the below certification.

A person or entity unable to make the certification must provide a detailed, accurate, and precise description of the activities of the person or entity, or of a parent entity, subsidiary, or affiliate, engaging in prohibited activities in Russia or Belarus and/or investment activities in Iran. The person or entity must cease engaging in any prohibited activities and provide an updated certification before the contract can be entered into.

If a vendor or contractor is found to be in violation of law, action may be taken as appropriate and as may be provided by law, rule, or contract, including but not limited to imposing sanctions, seeking compliance, recovering damages, declaring the party in default, and seeking debarment or suspension of the party.

CONTRACT AWARDS AND RENEWALS



I certify, pursuant to law, that neither the person or entity listed above, nor any parent entity, subsidiary, or affiliate appears on the N.J. Department of Treasury's lists of entities engaged in prohibited activities in Russia or Belarus pursuant to P.L. 2022, c. 3 or in investment activities in Iran pursuant to P.L. 2012, c. 25 ("Chapter 25 List"). I further certify that I am the person listed above, or I am an officer or representative of the entity listed above and am authorized to make this certification on its behalf. (Skip Part 2 and sign and complete the Certification below.)

<input type="checkbox"/>	<p><i>I certify, pursuant to law, that neither the person or entity listed above, nor any parent entity, subsidiary, or affiliate is listed on the N.J. Department of the Treasury’s lists of entities determined to be engaged in prohibited activities in Russia or Belarus pursuant to P.L. 2022, c. 3. I further certify that I am the person listed above, or I am an officer or representative of the entity listed above and am authorized to make this certification on its behalf. (Skip Part 2 and sign and complete the Certification below.)</i></p>
--------------------------	--

IF UNABLE TO CERTIFY

<input type="checkbox"/>	<p><i>I am unable to certify as above because the person or entity and/or a parent entity, subsidiary, or affiliate is listed on the Department's Russia-Belarus list and/or Chapter 25 Iran list. I will provide a detailed, accurate, and precise description of the activities as directed in Part 2 below, and sign and complete the Certification below. <u>Failure to provide such will prevent the award of the contract to the person or entity, and appropriate penalties, fines, and/or sanctions will be assessed as provided by law.</u></i></p>
--------------------------	--

Part 2: Additional Information

PLEASE PROVIDE FURTHER INFORMATION RELATED TO PROHIBITED ACTIVITIES IN RUSSIA OR BELARUS AND/OR INVESTMENT ACTIVITIES IN IRAN.

You must provide a detailed, accurate, and precise description of the activities of the person or entity, or of a parent entity, subsidiary, or affiliate, engaging in prohibited activities in Russia or Belarus and/or investment activities in Iran in the space below and, if needed, on additional sheets provided by you.

Part 3: Certification of True and Complete Information

I, being duly sworn upon my oath, hereby represent and state that the foregoing information and any attachments there, to the best of my knowledge, are true and complete. I attest that I am authorized to execute this certification on behalf of the above-referenced person or entity.

I acknowledge that the County of Union is relying on the information contained herein and hereby acknowledge that I am under a continuing obligation from the date of this certification through the completion of any contracts with the County of Union to notify the County of Union in writing of any changes to the answers of information contained herein.

I acknowledge that I am aware that it is a criminal offense to make a false statement or misrepresentation in this certification. If I do so, I recognize that I am subject to criminal prosecution under the law and that it will also constitute a material breach of my agreement(s) with the County of Union and that the County of Union at its option may declare any contract(s) resulting from this certification void and unenforceable.

Full Name (Print)		Title	
Signature		Date	

STANDARD BID DOCUMENT REFERENCE	
Name of Form:	FEDERAL NON-DEBARMENT CERTIFICATION
Statutory Reference:	N.J.S.A. 52:32-44.1 (P.L. 2019, c.406)
Description:	Meets statutory criteria for certification of non-debarment by a federal government agency.

Summary of the Certification Requirements under N.J.S.A. 52:32-44.1

Pursuant to state law any natural person, company, firm, association, corporation, or other entity prohibited, or “debarred,” from contracting with the federal government agencies, shall also be prohibited from contracting for public work in the state of New Jersey. This prohibition also extends to any affiliate organization(s) held by or subject to the control of an entity of that prohibited person or entity.

Prior to awarding a contract for public work a local units must obtain written certification from the contracting person or entity through the form below, attesting to their non-debarment from contracting with federal government agencies. Contracting units are reminded that they must fill-in the boilerplate information in the certification sections of Parts II through IV regarding their name and type of contracting unit before using the form.

CERTIFICATION OF NON-DEBARMENT
FOR FEDERAL GOVERNMENT CONTRACTS

N.J.S.A. 52:32-44.1 (P.L. 2019, c.406)

This certification shall be completed, certified to, and submitted to the contracting unit prior to contract award, except for emergency contracts where submission is required prior to payment.

PART I: VENDOR INFORMATION	
Individual or Organization Name	
Physical Address of Individual or Organization	
Unique Entity ID (if applicable)	
CAGE/NCAGE Code (if applicable)	
Check the box that represents the type of business organization:	

- Sole Proprietorship (skip Parts III and IV)
 Non-Profit Corporation (skip Parts III and IV)
 For-Profit Corporation (any type)
 Limited Liability Company (LLC)
 Partnership
 Limited Partnership
 Limited Liability Partnership (LLP)
 Other (be specific): _____

PART II – CERTIFICATION OF NON-DEBARMENT: Individual or Organization			
I hereby certify that the individual or organization listed above in Part I is not debarred by the federal government from contracting with a federal agency. I further acknowledge: that I am authorized to execute this certification on behalf of the above-named organization; that the County of Union is relying on the information contained herein and that I am under a continuing obligation from the date of this certification through the date of contract award by the County of Union to notify the County of Union in writing of any changes to the information contained herein; that I am aware that it is a criminal offense to make a false statement or misrepresentation in this certification, and if I do so, I am subject to criminal prosecution under the law and that it will constitute a material breach of my agreement(s) with the County of Union, permitting the County of Union to declare any contract(s) resulting from this certification void and unenforceable.			
Full Name (Print):		Title:	
Signature:		Date:	

PART III – CERTIFICATION OF NON-DEBARMENT: Individual or Entity Owning Greater than 50 Percent of Organization

Section A (Check the Box that applies)

<input type="checkbox"/>	Below is the name and address of the stockholder in the corporation who owns more than 50 percent of its voting stock, or of the partner in the partnership who owns more than 50 percent interest therein, or of the member of the limited liability company owning more than 50 percent interest therein, as the case may be.
--------------------------	---

Name of Individual or Organization	
---	--

Physical Address	
-------------------------	--

OR

<input type="checkbox"/>	No one stockholder in the corporation owns more than 50 percent of its voting stock, or no partner in the partnership owns more than 50 percent interest therein, or no member in the limited liability company owns more than 50 percent interest therein, as the case may be.
--------------------------	---

Section B (Skip if no Business entity is listed in Section A above)

<input type="checkbox"/>	Below is the name and address of the stockholder in the corporation who owns more than 50 percent of the voting stock of the organization’s parent entity, or of the partner in the partnership who owns more than 50 percent interest in the organization’s parent entity, or of the member of the limited liability company owning more than 50 percent interest in organization’s parent entity, as the case may be.
--------------------------	---

Stockholder/Partner/Member Owning Greater Than 50 Percent of Parent Entity	
---	--

Physical Address	
-------------------------	--

OR

<input type="checkbox"/>	No one stockholder in the parent entity corporation owns more than 50 percent of its voting stock, no partner in the parent entity partnership owns more than 50 percent interest therein, or no member in the parent entity limited liability company owns more than 50 percent interest therein, as the case may be.
--------------------------	--

Section C – Part III Certification

Section C – Part III Certification

I hereby certify that no individual or organization that is debarred by the federal government from contracting with a federal agency owns greater than 50 percent of the **Organization listed above in Part I** or, if applicable, owns greater than 50 percent of a parent entity of **<name of organization>**

_____. I further acknowledge: that I am authorized to execute this certification on behalf of the above-named organization; that the County of Union is relying on the information contained herein and that I am under a continuing obligation from the date of this certification through the date of contract award by the County of Union to notify the County of Union in writing of any changes to the information contained herein; that I am aware that it is a criminal offense to make a false statement or misrepresentation in this certification, and if I do so, I am subject to criminal prosecution under the law and that it will constitute a material breach of my agreement(s) with the County of Union, permitting the County of Union to declare any contract(s) resulting from this certification void and unenforceable.

Full Name (Print):		Title:	
Signature:		Date:	

Part IV – CERTIFICATION OF NON-DEBARMENT: Contractor – Controlled Entities

Section A



Below is the name and address of the corporation(s) in which the **Organization listed in Part I** owns more than 50 percent of voting stock, or of the partnership(s) in which the **Organization listed in Part I** owns more than 50 percent interest therein, or of the limited liability company or companies in which the **Organization listed above in Part I** owns more than 50 percent interest therein, as the case may be.

Name of Business Entity

Physical Address

****Add additional sheets if necessary****

OR



The **Organization listed above in Part I** does not own greater than 50 percent of the voting stock in any corporation and does not own greater than 50 percent interest in any partnership or any limited liability company.

Section B (skip if no business entities are listed in Section A of Part IV)

<input type="checkbox"/>	Below are the names and addresses of any entities in which an entity listed in Part III A owns greater than 50 percent of the voting stock (corporation) or owns greater than 50 percent interest (partnership or limited liability company).		
Name of Business Entity Controlled by Entity Listed in Section A of Part IV		Physical Address	
Add additional Sheets if necessary			
OR			
<input type="checkbox"/>	No entity listed in Part III A owns greater than 50 percent of the voting stock in any corporation or owns greater than 50 percent interest in any partnership or limited liability company.		
Section C – Part IV Certification			
<p>I hereby certify that the Organization listed above in Part I does not own greater than 50 percent of any entity that that is debarred by the federal government from contracting with a federal agency and, if applicable, does not own greater than 50 percent of any entity that in turns owns greater than 50 percent of any entity debarred by the federal government from contracting with a federal agency. I further acknowledge: that I am authorized to execute this certification on behalf of the above-named organization; that the County of Union is relying on the information contained herein and that I am under a continuing obligation from the date of this certification through the date of contract award by the County of Union to notify the County of Union in writing of any changes to the information contained herein; that I am aware that it is a criminal offense to make a false statement or misrepresentation in this certification, and if I do so, I am subject to criminal prosecution under the law and that it will constitute a material breach of my agreement(s) with the County of Union, permitting the County of Union to declare any contract(s) resulting from this certification void and unenforceable.</p>			
Full Name (Print):		Title:	
Signature:		Date:	

BYRD ANTI-LOBBYING AMENDMENT CERTIFICATION
(To be submitted with each bid, proposal or offer exceeding \$100,000)

The undersigned, [Company] _____ certifies, to the best of his or her knowledge, that:

1. No Federal appropriated funds have been paid or will be paid, by or on behalf of the undersigned, to any person for influencing or attempting to influence an officer or employee of an agency, a Member of Congress, an officer or employee of Congress, or an employee of a Member of Congress in connection with the awarding of any Federal contract, the making of any Federal grant, the making of any Federal loan, the entering into of any cooperative agreement, and the extension, continuation, renewal, amendment, or modification of any Federal contract, grant, loan, or cooperative agreement.
2. If any funds other than Federal appropriated funds have been paid or will be paid to any person for influencing or attempting to influence an officer or employee of any agency, a Member of Congress, an officer or employee of Congress, or an employee of a Member of Congress in connection with this Federal contract, grant, loan, or cooperative agreement, the undersigned shall complete and submit Standard Form - LLL, "Disclosure Form to Report Lobbying," in accordance with its instructions.
3. The undersigned shall require that the language of this certification be included in the award documents for all subawards at all tiers (including subcontracts, subgrants, and contracts under grants, loans, and cooperative agreements) and that all subrecipients shall certify and disclose accordingly.

This certification is a material representation of fact upon which reliance was placed when this transaction was made or entered into. Submission of this certification is a prerequisite for making or entering into this transaction imposed by 31, U.S.C. § 1352 (as amended by the Lobbying Disclosure Act of 1995). Any person who fails to file the required certification shall be subject to a civil penalty of not less than \$10,000 and not more than \$100,000 for each such failure.

The Contractor, [Company] _____, certifies or affirms the truthfulness and accuracy of each statement of its certification and disclosure, if any. In addition, the Contractor understands and agrees that the provisions of 31 U.S.C. § 3801 et seq., apply to this certification and disclosure, if any.

Signature of Contractor's Authorized Representative

Name and Title of Contractor's Authorized Representative

Date

CERTIFICATION REGARDING LOBBYING

The undersigned certifies, to the best of his or her knowledge and belief, that:

(1) No Federal appropriated funds have been paid or will be paid, by or on behalf of the undersigned, to any person for influencing or attempting to influence an officer or employee of any agency, a Member of Congress, an officer or employee of Congress, or an employee of a Member of Congress in connection with the awarding of any Federal grant, the making of any Federal loan, the entering into of any cooperative agreement, and the extension, continuation, renewal, amendment or modification of any Federal contract, grant, loan, or cooperative agreement.

(2) If any funds other than Federal appropriated funds have been paid or will be paid to any person for influencing or attempting to influence an officer or employee of any agency, a Member of Congress, an officer or employee of Congress, or an employee of a Member of Congress in connection with this Federal contract, grant, loan, or cooperative agreement, the undersigned shall complete and submit Standard Form-LLL, "Disclosure of Lobbying Activities," in accordance with its instructions.

(3) The undersigned shall require that the language of this certification be included in the award documents of all sub-awards at all tiers (including subcontracts, sub-grants, and contracts under grants, loans, and cooperative agreements) and that all subrecipients shall certify and disclose accordingly. This certification is a material representation of fact upon which reliance was placed when this transaction was made or entered into. Submission of this certification is a prerequisite for making or entering into this transaction imposed by section 1352, title 31, United States Code. Any person who fails to file the required certification shall be subject to a civil penalty of not less than \$10,000 and not more than \$100,000 for each such failure.

Organization: _____

Street address: _____

City, State, Zip: _____

CERTIFIED BY: (type or print)

TITLE: _____

(signature)

(date)

DISCLOSURE OF LOBBYING ACTIVITIES (LLL Form)

Complete this form to disclose lobbying activities pursuant to 31 U.S.C. 1352 0348-0046

N/A – My agency does not engage in any lobbying activities

<p>1. Type of Federal Action:</p> <p><input type="checkbox"/> a. contract <input type="checkbox"/> b. grant <input type="checkbox"/> c. cooperative agreement <input type="checkbox"/> d. loan <input type="checkbox"/> e. loan guarantee <input type="checkbox"/> f. loan insurance</p>	<p>2. Status of Federal Action:</p> <p><input type="checkbox"/> a. bid/offer/application <input type="checkbox"/> b. Initial award <input type="checkbox"/> c. Post-award</p>	<p>3. Report Type:</p> <p><input type="checkbox"/> a. initial filing <input type="checkbox"/> b. material change</p> <p>For Material Change Only: year _____ quarter _____ date of last report _____</p>
<p>4. Name and Address of Reporting Entity:</p> <p><input type="checkbox"/> Prime <input type="checkbox"/> Subawardee Tier _____, if known:</p> <p>Congressional District, if known:</p>	<p>5. If Reporting Entity in NO.4 is a Subawardee, enter Name and Address of Prim:</p> <p>Congressional District, if known:</p>	
<p>6. Federal Department/Agency:</p>	<p>7. Federal Program Name/Description:</p> <p>CDFA NUMBER, if applicable _____</p>	
<p>8. Federal Action Number, if known:</p>	<p>9. Award Amount, if known:</p> <p>\$ _____</p>	
<p>10. a. Name and address of Lobbying Registrant <i>(if individual, last name, first name, MI):</i></p>	<p>b. Individuals Performing Services <i>(including address if different from No. 10a) (las name, first name, MI):</i></p>	
<p>11. Information request through this form is authorized by title 31 U.S.C. Section 1352. This disclosure of lobbying activities is a material representation of fact upon which reliance was placed by the tier above when this transaction was made or entered into. This disclosure is required pursuant to 31 U.S.C. 1352. This information will be available for public inspection. Any person who fails to file the required disclosure shall be subject to a civil penalty of not less than \$10,000 and not more than \$100,000 for each such failure.</p>	<p>Signature: _____ Print Name: _____ Title: _____ Telephone NO.: _____ Date: _____</p>	
<p>Federal Use Only:</p>		<p align="center">Authorized for Local Reproduction Standard Form LLL (Rev. 7-97)</p>

INSTRUCTIONS FOR COMPLETION OF SF-LLL, DISCLOSURE OF LOBBYING ACTIVITIES

This disclosure form shall be completed by the reporting entity, whether subawardee or prime Federal recipient, at the initiation or receipt of a covered Federal action, or a material change to a previous filing, pursuant to title 31 U.S.C. section 1352. The filing of a form is required for each payment or agreement to make payment to any lobbying entity for influencing or attempting to influence an officer or employee of any agency, a Member of Congress, an officer or employee of Congress, or an employee of a Member of Congress with a covered Federal action. Complete all items that apply for both the initial filing and material change report. Refer to the implementing guidance published by the Office of Management and Budget for additional information.

1. Identify the type of covered Federal action for which lobbying activity is and/or has been secured to influence the outcome of a Federal action.
2. Identify the status of the covered Federal action.
3. Identify the appropriate classification of this report. If this is a follow-up report caused by a material change to the information previously reported, enter the year and quarter in which the change occurred. Enter the date of the last previously submitted report by this reporting entity for this covered Federal action.
4. Enter the full name, address, city, state and zip code of the reporting entity include Congressional District, if known. Check the appropriate classification of the reporting entity that designates if it is or expects to be a prime or subaward recipient. Identify the tier of the subawardee, e.g., the first subawardee of the prime is the 1st tier. Subawards include but are not limited to subcontracts, subgrants and contract awards under grants.
5. If the organization filing the report in item 4 checks "Subawardee," then enter the full name, address, city, state and zip code of the prime Federal recipient. Include Congressional District, if known.
6. Enter the name of the Federal agency making the award or loan commitment. Include at least one organizational level below agency name, if known. For example, Department of Transportation, United States Coast Guard.
7. Enter the Federal program name or description for the covered Federal action (item 1). If known, enter the full Catalog of Federal Domestic Assistance (CFDA) number for grants, cooperative agreements, loans and loan commitments.
8. Enter the most appropriate Federal identifying number available for the Federal action identified in item 1 (e.g., Request for Proposal (RFP) number, Invitation for Bid (IFB) number, grant announcement number, the contract, grant, or loan award number, the application/proposal control number assigned by the Federal agency.) Include prefixes, e.g. "RFP-DE-90-001."
9. For a covered Federal action where there has been an award or loan commitment by the Federal agency, enter the Federal amount of the award/loan commitment for the prime entity identified in item 4 or 5.
10. A) Enter the full name, address, city, state and zip code of the lobbying registrant under the Lobbying Disclosure Act of 1995 engaged by the reporting entity identified in item 4 to influence the covered Federal action.
B) Enter the full names of the individual(s) performing services, and include full address if different from 10(a). Enter last name, first name and middle initial (MI).
11. The certifying official shall sign and date the form; print his/her name, title, and telephone number.

According to the Paperwork Reduction Act, as amended, no persons are required to respond to a collection of information unless it displays a valid OMB Control Number. The valid OMB control number for this information collection is OMB No. 0348-0046. Public reporting burden for this collection of information is estimated to average 10 minutes per response, including time for reviewing instructions, searching existing data sources, gathering and maintaining the data needed, and completing and reviewing the collection of information. Send comments regarding the burden estimate or any other aspect of this collection of information, including suggestions for reducing this burden, to the Office of Management and Budget, Paperwork Reduction Project (0348-10046), Washington, DC 20503.

GENERAL SPECIFICATIONS

FEDERAL TERMS

TERMS AND CONDITIONS APPLICABLE TO ALL CONTRACTS/PURCHASES FUNDED, IN WHOLE OR IN PART, BY FEDERAL FUNDS.

The provisions set forth below apply to all contracts funded, in whole or in part, by Federal funds as required by 2 CFR 200.317.

1. CONTRACTING WITH SMALL AND MINORITY BUSINESSES, WOMEN'S BUSINESS ENTERPRISES, AND LABOR SURPLUS AREA FIRMS

Pursuant to 2 CFR 200.321, the State must take all necessary affirmative steps to assure that minority businesses, women's business enterprises, and labor surplus area firms are used when possible. Accordingly, if subawards are to be made the Contractor shall:

- (1) Include qualified small and minority businesses and women's business enterprises on solicitation lists;
- (2) Assure that small and minority businesses, and women's business enterprises are solicited whenever they are potential sources;
- (3) Divide total requirements, when economically feasible, into smaller tasks or quantities to permit maximum participation by small and minority businesses, and women's business enterprises;
- (4) Establish delivery schedules, where the requirement permits, which encourage participation by small and minority businesses, and women's business enterprises; and,
- (5) Use the services and assistance, as appropriate, of such organizations as the Small Business Administration and the Minority Business Development Agency of the Department of Commerce.

2. DOMESTIC PREFERENCE FOR PROCUREMENTS

Pursuant to 2 CFR 200.322, where appropriate, the State has a preference for the purchase, acquisition, or use of goods, products, or materials produced in the United States (including but not limited to iron, aluminum, steel, cement, and other manufactured products). If subawards are to be made the Contractor shall include a preference for the purchase, acquisition, or use of goods, products, or materials produced in the United States (including but not limited to iron, aluminum, steel, cement, and other manufactured products). For purposes of this section:

- (1) "Produced in the United States" means, for iron and steel products, that all manufacturing processes, from the initial melting stage through the application of coatings, occurred in the United States.
- (2) "Manufactured products" means items and construction materials composed in whole or in part of nonferrous metals such as aluminum; plastics and polymer-based products such as polyvinyl chloride pipe; aggregates such as concrete; glass, including optical fiber; and lumber.

3. PROCUREMENT OF RECOVERED MATERIALS

Where applicable, in the performance of contract, pursuant to 2 CFR 200.323, the contractor must comply with section 6002 of the Solid Waste Disposal Act, as amended by the Resource Conservation and Recovery Act. The requirements of Section 6002 include procuring only items designated in guidelines of the Environmental Protection Agency (EPA) at 40 CFR Part 247 that contain the highest percentage of recovered materials practicable, consistent with maintaining a satisfactory level of competition, where the purchase price of the item exceeds \$ 10,000 or the value of the quantity acquired during the preceding fiscal year exceeded \$10,000; procuring solid waste management services in a manner that maximizes energy and resource recovery; and establishing an affirmative procurement program for procurement of recovered materials identified in the EPA guidelines.

To the extent that the scope of work or specifications in the contract requires the contractor to provide recovered materials the scope of work or specifications are modified to require that as follows.

- i. In the performance of this contract, the Contractor shall make maximum use of products containing recovered materials that are EPA-designated items unless the product cannot be acquired—
 1. Competitively within a timeframe providing for compliance with the contract performance schedule;
 2. Meeting contract performance requirements; or

3. At a reasonable price.
- ii. Information about this requirement, along with the list of EPA- designated items, is available at EPA's Comprehensive Procurement Guidelines web site, <https://www.epa.gov/smm/comprehensive-procurement-guideline-cpg-program>.
- iii. The Contractor also agrees to comply with all other applicable requirements of Section 6002 of the Solid Waste Disposal Act."

4. EQUAL EMPLOYMENT OPPORTUNITY

Except as otherwise provided under 41 CFR Part 60, all contracts that meet the definition of "federally assisted construction contract" in 41 CFR Part 60-1.3 must include the equal opportunity clause provided under 41 CFR 60-1.4(b), in accordance with Executive Order 11246, "Equal Employment Opportunity" (30 FR 12319, 12935, 3 CFR Part, 1964-1965 Comp., p. 339), as amended by Executive Order 11375, "Amending Executive Order 11246 Relating to Equal Employment Opportunity," and implementing regulations at 41 CFR part 60, "Office of Federal Contract Compliance Programs, Equal Employment Opportunity, Department of Labor." See, 2 CFR Part 200, Appendix II, para. C.

During the performance of this contract, the contractor agrees as follows:

- (1) The contractor will not discriminate against any employee or applicant for employment because of race, color, religion, sex, sexual orientation, gender identity, or national origin. The contractor will take affirmative action to ensure that applicants are employed, and that employees are treated during employment without regard to their race, color, religion, sex, sexual orientation, gender identity, or national origin. Such action shall include, but not be limited to the following:
Employment, upgrading, demotion, or transfer; recruitment or recruitment advertising; layoff or termination; rates of pay or other forms of compensation; and selection for training, including apprenticeship. The contractor agrees to post in conspicuous places, available to employees and applicants for employment, notices to be provided setting forth the provisions of this nondiscrimination clause.
- (2) The contractor will, in all solicitations or advertisements for employees placed by or on behalf of the contractor, state that all qualified applicants will receive consideration for employment without regard to race, color, religion, sex, sexual orientation, gender identity, or national origin.
- (3) The contractor will not discharge or in any other manner discriminate against any employee or applicant for employment because such employee or applicant has inquired about, discussed, or disclosed the compensation of the employee or applicant or another employee or applicant. This provision shall not apply to instances in which an employee who has access to the compensation information of other employees or applicants as a part of such employee's essential job functions discloses the compensation of such other employees or applicants to individuals who do not otherwise have access to such information, unless such disclosure is in response to a formal complaint or charge, in furtherance of an investigation, proceeding, hearing, or action, including an investigation conducted by the employer, or is consistent with the contractor's legal duty to furnish information.
- (4) The contractor will send to each labor union or representative of workers with which he/she has a collective bargaining agreement or other contract or understanding, a notice to be provided advising the said labor union or workers' representatives of the contractor's commitments under this section, and shall post copies of the notice in conspicuous places available to employees and applicants for employment.
- (5) The contractor will comply with all provisions of Executive Order 11246 of September 24, 1965, and of the rules, regulations, and relevant orders of the Secretary of Labor.
- (6) The contractor will furnish all information and reports required by Executive Order 11246 of September 24, 1965, and by rules, regulations, and orders of the Secretary of Labor, or pursuant thereto, and will permit access to his/her books, records, and accounts by the administering agency and the Secretary of Labor for purposes of investigation to ascertain compliance with such rules, regulations, and orders.
- (7) In the event of the contractor's noncompliance with the nondiscrimination clauses of this contract or with any of the said rules, regulations, or orders, this contract may be canceled, terminated, or suspended in whole or in part and the contractor may be declared ineligible for further Government contracts or federally assisted construction contracts in accordance with procedures authorized in Executive Order 11246 of September 24, 1965, and such other sanctions may be imposed and remedies invoked as provided in Executive Order 11246 of September 24, 1965, or by rule, regulation, or order of the Secretary of Labor, or as otherwise provided by law.
- (8) The contractor will include the portion of the sentence immediately preceding paragraph (1) and the provisions of paragraphs (1) through (8) in every subcontract or purchase order unless exempted by rules, regulations, or orders of the Secretary of Labor issued pursuant to section 204 of Executive Order

11246 of September 24, 1965, so that such provisions will be binding upon each subcontractor or vendor. The contractor will take such action with respect to any subcontract or purchase order as the administering agency may direct as a means of enforcing such provisions, including sanctions for noncompliance:

Provided, however, that in the event a contractor becomes involved in, or is threatened with, litigation with a subcontractor or vendor as a result of such direction by the administering agency, the contractor may request the United States to enter into such litigation to protect the interests of the United States. The applicant further agrees that it will be bound by the above equal opportunity clause with respect to its own employment practices when it participates in federally assisted construction work: Provided, That if the applicant so participating is a State or local government, the above equal opportunity clause is not applicable to any agency, instrumentality or subdivision of such government which does not participate in work on or under the contract.

The applicant agrees that it will assist and cooperate actively with the administering agency and the Secretary of Labor in obtaining the compliance of contractors and subcontractors with the equal opportunity clause and the rules, regulations, and relevant orders of the Secretary of Labor, that it will furnish the administering agency and the Secretary of Labor such information as they may require for the supervision of such compliance, and that it will otherwise assist the administering agency in the discharge of the agency's primary responsibility for securing compliance.

The applicant further agrees that it will refrain from entering into any contract or contract modification subject to Executive Order 11246 of September 24, 1965, with a contractor debarred from, or who has not demonstrated eligibility for, Government contracts and federally assisted construction contracts pursuant to the Executive Order and will carry out such sanctions and penalties for violation of the equal opportunity clause as may be imposed upon contractors and subcontractors by the administering agency or the Secretary of Labor pursuant to Part II, Subpart D of the Executive Order. In addition, the applicant agrees that if it fails or refuses to comply with these undertakings, the administering agency may take any or all of the following actions: Cancel, terminate, or suspend in whole or in part this grant (contract, loan, insurance, guarantee); refrain from extending any further assistance to the applicant under the program with respect to which the failure or refund occurred until satisfactory assurance of future compliance has been received from such applicant; and refer the case to the Department of Justice for appropriate legal proceedings.

5. DAVIS-BACON ACT, 40 U.S.C. 3141-3148, AS AMENDED

When required by Federal program legislation, all prime construction contracts in excess of \$2,000 shall be done in compliance with the Davis-Bacon Act (40 U.S.C. 3141- 3144, and 3146-3148) and the requirements of 29 C.F.R. pt. 5 as may be applicable. The contractor shall comply with 40 U.S.C. 3141-3144, and 3146-3148 and the requirements of 29 C.F.R. pt. 5 as applicable. Contractors are required to pay wages to laborers and mechanics at a rate not less than the prevailing wages specified in a wage determination made by the Secretary of Labor. Additionally, contractors are required to pay wages not less than once a week. The non-Federal entity must place a copy of the current prevailing wage determination issued by the Department of Labor in each solicitation. The decision to award a contract or subcontract must be conditioned upon the acceptance of the wage determination. The non-Federal entity must report all suspected or reported violations to the Federal awarding agency.

6. COPELAND ANTI-KICKBACK ACT

Where applicable, the Contractor must comply with Copeland "Anti-Kickback" Act (40 U.S.C. 3145), as supplemented by Department of Labor regulations (29 CFR Part 3, "Contractors and Subcontractors on Public Building or Public Work Financed in Whole or in Part by Loans or Grants from the United States").

- a. Contractor. The Contractor shall comply with 18 U.S.C. § 874, 40 U.S.C. § 3145, and the requirements of 29 C.F.R. pt. 3 as may be applicable, which are incorporated by reference into the OGS centralized contract.
- b. Subcontracts. The Contractor or subcontractor shall insert in any subcontracts the clause above and such other clauses as FEMA may by appropriate instructions require, and also a clause requiring the subcontractors to include these clauses in any lower tier subcontracts. The prime contractor shall be responsible for the compliance by any subcontractor or lower tier subcontractor with all of these contract clauses.

- c. Breach. A breach of the clauses above may be grounds for termination of the OGS centralized contract, and for debarment as a Contractor and subcontractor as provided in 29 C.F.R. § 5.12.

7. CONTRACT WORK HOURS AND SAFETY STANDARDS ACT, 40 U.S.C. 3701-3708

Where applicable, all contracts awarded by the non-Federal entity in excess of \$ 100,000 that involve the employment of mechanics or laborers must comply with 40 U.S.C. 3702 and 3704, as supplemented by Department of Labor regulations (29 CFR Part 5).

- (1) Overtime requirements. No contractor or subcontractor contracting for any part of the contract work which may require or involve the employment of laborers or mechanics shall require or permit any such laborer or mechanic in any workweek in which he or she is employed on such work to work in excess of forty hours in such workweek unless such laborer or mechanic receives compensation at a rate not less than one and one-half times the basic rate of pay for all hours worked in excess of forty hours in such workweek.
- (2) Violation; liability for unpaid wages; liquidated damages. In the event of any violation of the clause set forth in paragraph (b)(1) of this section the contractor and any subcontractor responsible therefor shall be liable for the unpaid wages. In addition, such contractor and subcontractor shall be liable to the United States (in the case of work done under contract for the District of Columbia or a territory, to such District or to such territory), for liquidated damages. Such liquidated damages shall be computed with respect to each individual laborer or mechanic, including watchmen and guards, employed in violation of the clause set forth in paragraph (b)(1) of this section, in the sum of \$27 for each calendar day on which such individual was required or permitted to work in excess of the standard workweek of forty hours without payment of the overtime wages required by the clause set forth in paragraph (b)(1) of this section.
- (3) Withholding for unpaid wages and liquidated damages. The unauthorized user shall upon its own action or upon written request of an authorized representative of the Department of Labor withhold or cause to be withheld, from any moneys payable on account of work performed by the contractor or subcontractor under any such contract or any other Federal contract with the same prime contractor, or any other federally-assisted contract subject to the Contract Work Hours and Safety Standards Act, which is held by the same prime contractor, such sums as may be determined to be necessary to satisfy any liabilities of such contractor or subcontractor for unpaid wages and liquidated damages as provided in the clause set forth in paragraph (b)(2) of this section.
- (4) Subcontracts. The contractor or subcontractor shall insert in any subcontracts the clauses set forth in paragraph (b)(1) through (4) of this section and also a clause requiring the subcontractors to include these clauses in any lower tier subcontracts. The prime contractor shall be responsible for compliance by any subcontractor or lower tier subcontractor with the clauses set forth in paragraphs (b)(1) through (4) of this section.

8. RIGHTS TO INVENTIONS MADE UNDER A CONTRACT OR AGREEMENT

If the Federal award meets the definition of "funding agreement" under 37 CFR § 401.2 (a) and the recipient or subrecipient wishes to enter into a contract with a small business firm or nonprofit organization regarding the substitution of parties, assignment or performance of experimental, developmental, or research work under that "funding agreement," the recipient or subrecipient must comply with the requirements of 37 CFR Part 401, "Rights to Inventions Made by Nonprofit Organizations and Small Business Firms Under Government Grants, Contracts and Cooperative Agreements," and any implementing regulations issued by the awarding agency.

9. CLEAN AIR ACT, 42 U.S.C. 7401-7671Q, AND THE FEDERAL WATER POLLUTION CONTROL ACT, 33 U.S.C. 1251-1387, AS AMENDED

Where applicable, Contracts and subgrants of amounts in excess of \$150,000, must comply with the following:

Clean Air Act

1. The contractor agrees to comply with all applicable standards, orders or regulations issued pursuant to the Clean Air Act, as amended, 42 U.S.C. § 7401 et seq.
2. The contractor agrees to report each violation to the Division of Purchase and Property and understands and agrees that the Division of Purchase and Property will, in turn, report each violation as required to assure notification to the Federal Emergency Management Agency, and the appropriate Environmental Protection Agency Regional Office.

3. The contractor agrees to include these requirements in each subcontract exceeding \$150,000 financed in whole or in part with Federal assistance provided by FEMA.

Federal Water Pollution Control Act

1. The contractor agrees to comply with all applicable standards, orders, or regulations issued pursuant to the Federal Water Pollution Control Act, as amended, 33 U.S.C. 1251 et seq.
2. The contractor agrees to report each violation to the Division of Purchase and Property and understands and agrees that the Division of Purchase and Property will, in turn, report each violation as required to assure notification to the Federal Emergency Management Agency, and the appropriate Environmental Protection Agency Regional Office.
3. The contractor agrees to include these requirements in each subcontract exceeding \$150,000 financed in whole or in part with Federal assistance provided by FEMA.

10. DEBARMENT AND SUSPENSION (EXECUTIVE ORDERS 12549 AND 12689)

- (1) This contract is a covered transaction for purposes of 2 C.F.R. pt. 180 and 2 C.F.R. pt. 3000. As such, the contractor is required to verify that none of the contractor's principals (defined at 2 C.F.R. § 180.995) or its affiliates (defined at 2 C.F.R. § 180.905) are excluded (defined at 2 C.F.R. § 180.940) or disqualified (defined at 2 C.F.R. § 180.935).
- (2) The contractor must comply with 2 C.F.R. pt. 180, subpart C and 2 C.F.R. pt. 3000, subpart C, and must include a requirement to comply with these regulations in any lower tier covered transaction it enters into.
- (3) This certification is a material representation of fact relied upon by the State or authorized user. If it is later determined that the contractor did not comply with 2 C.F.R. pt. 180, subpart C and 2 C.F.R. pt. 3000, subpart C, in addition to remedies available to the State or authorized user, the Federal Government may pursue available remedies, including but not limited to suspension and/or debarment.
- (4) The bidder or proposer agrees to comply with the requirements of 2 C.F.R. pt. 180, subpart C and 2 C.F.R. pt. 3000, subpart C while this offer is valid and throughout the period of any contract that may arise from this offer. The bidder or proposer further agrees to include a provision requiring such compliance in its lower tier covered transactions.

11. BYRD ANTI-LOBBYING AMENDMENT, 31 U.S.C. 1352

Contractors that apply or bid for an award exceeding \$100,000 must file the required certification. Each tier certifies to the tier above that it will not and has not used Federal appropriated funds to pay any person or organization for influencing or attempting to influence an officer or employee of any agency, a member of Congress, officer or employee of Congress, or an employee of a member of Congress in connection with obtaining any Federal contract, grant or any other award covered by 31 U.S.C. 1352. Each tier must also disclose any lobbying with non-Federal funds that takes place in connection with obtaining any Federal award. Such disclosures are forwarded from tier to tier up to the non-Federal award. Such disclosures are forwarded from tier to tier up to the recipient who in turn will forward the certification(s) to the awarding agency.

12. PROHIBITION ON CERTAIN TELECOMMUNICATIONS AND VIDEO SURVEILLANCE SERVICES OR EQUIPMENT

- (a) Recipients and subrecipients are prohibited from obligating or expending loan or grant funds to:
 - (1) Procure or obtain;
 - (2) Extend or renew a contract to procure or obtain; or
 - (3) Enter into a contract (or extend or renew a contract) to procure or obtain equipment, services, or systems that uses covered telecommunications equipment or services as a substantial or essential component of any system, or as critical technology as part of any system. As described in Public Law 115-232, section 889, covered telecommunications equipment is telecommunications equipment produced by Huawei Technologies Company or ZTE Corporation (or any subsidiary or affiliate of such entities).
 - (i) For the purpose of public safety, security of government facilities, physical security surveillance of critical infrastructure, and other national security purposes, video surveillance and telecommunications equipment produced by Hytera Communications Corporation, Hangzhou

Hikvision Digital Technology Company, or Dahua Technology Company (or any subsidiary or affiliate of such entities).

(ii) Telecommunications or video surveillance services provided by such entities or using such equipment.

(iii) Telecommunications or video surveillance equipment or services produced or provided by an entity that the Secretary of Defense, in consultation with the Director of the National Intelligence or the Director of the Federal Bureau of Investigation, reasonably believes to be an entity owned or controlled by, or otherwise connected to, the government of a covered foreign country.

13. CONTRACTS FOR MORE THAN THE SIMPLIFIED ACQUISITION THRESHOLD

Contracts for more than the simplified acquisition threshold, which is the inflation adjusted amount determined by the Civilian Agency Acquisition Council and the Defense Acquisition Regulations Council (Councils) as authorized by 41 U.S.C. 1908, must address administrative, contractual, or legal remedies in instances where contractors violate or breach contract terms, and provide for such sanctions and penalties as appropriate.

14. TERMINATION FOR CONVENIENCE PROVISION

All contracts in excess of \$10,000 must address termination for cause and for convenience by the non-Federal entity including the manner by which it will be effected and the basis for settlement.

15. BONDING REQUIREMENTS

For construction or facility improvement contracts or subcontracts exceeding the Simplified Acquisition Threshold, the Federal awarding agency or pass-through entity may accept the bonding policy and requirements of the non-Federal entity provided that the Federal awarding agency or pass-through entity has made a determination that the Federal interest is adequately protected. If such a determination has not been made, the minimum requirements must be as follows:

(a) A bid guarantee from each bidder equivalent to five percent of the bid price. The "bid guarantee" must consist of a firm commitment such as a bid bond, certified check, or other negotiable instrument accompanying a bid as assurance that the bidder will, upon acceptance of the bid, execute such contractual documents as may be required within the time specified.

(b) A performance bond on the part of the contractor for 100 percent of the contract price. A "performance bond" is one executed in connection with a contract to secure fulfillment of all the contractor's requirements under such contract.

(c) A payment bond on the part of the contractor for 100 percent of the contract price. A "payment bond" is one executed in connection with a contract to assure payment as required by law of all persons supplying labor and material in the execution of the work provided for in the contract.

STANDARD SPECIFICATIONS

The Standard Specifications for Road and Bridge Construction of New Jersey Department of Transportation, 2019 Edition; is added to and/or amended elsewhere herein by the Notice to Contractors (Advertisement), Proposal, Information for Bidders, General Conditions, Supplemental Conditions, Project Plans, and Supplementary Specifications; shall, insofar as technical requirements are involved, govern in the execution of this project.

Such Standard Specifications are made a part of these Specifications by this reference and will not be repeated herein. It is the responsibility of prospective bidders to familiarize themselves with these Standard Specifications, copies of which may be examined at the office of the Engineer and may be obtained, upon payment of the cost thereof, from:

Department of Transportation
State of New Jersey
1035 Parkway Avenue
Trenton, New Jersey 08625

The Notice to Contractors (Advertisement), Proposal, General Conditions, Special Provisions, Project Plans and/or Supplementary Specifications shall govern and prevail in the case of conflict between them and the Standard Specifications.

In these Standard Specifications the words "COMMISSIONER" or "DEPARTMENT" shall refer to and mean the person, persons, body, board or agent legally empowered to enter into contracts and otherwise legally act for the Owner. The word "STATE" shall refer to and mean the professional engineering representative of the Owner as hereinbefore defined and the word "ENGINEER" shall refer to and mean the professional engineering representative of the Owner as hereinbefore defined and the word "INSPECTOR" shall mean the authorized project representative of the Engineer with the authority as hereinbefore defined. The word "LABORATORY" shall mean and refer to the Engineer who may, at his discretion, and with the consent of the Owner, employ qualified technical personnel or testing laboratories to assist him in fulfilling the duties normally assigned to the "LABORATORY" in these Standard Specifications.

When reference is made herein to the bulletins, standards, specifications, publications or requirements of the American Association of State Highway Official (AASHO), the American Concrete Institute (ACI), the American Society of Civil Engineers (ASCE) or similar national or regional societies, associations, institutes or organizations; the requirements of the bulletins, specifications, publications or requirements referred to shall be considered a part of these Specifications by such reference and shall not be repeated herein but shall have the same import and be as binding as if herein set forth in full.



STATE OF NEW JERSEY
Department of Labor and Workforce Development
Division of Wage and Hour Compliance - Public Contracts Section
PO Box 389
Trenton, NJ 08625-0389

PREVAILING WAGE RATE DETERMINATION

The New Jersey Prevailing Wage Act (N.J.S.A. 34:11-56.25 et seq.) requires that the Department of Labor and Workforce Development establish and enforce a prevailing wage level for workers engaged in public works in order to safeguard their efficiency and general well being and to protect them as well as their employers from the effects of serious and unfair competition.

Prevailing wage rates are wage and fringe benefit rates based on the collective bargaining agreements established for a particular craft or trade in the locality in which the public work is performed. In New Jersey, these rates vary by county and by the type of work performed.

Applicable prevailing wage rates are those wages and fringe benefits in effect on the date the contract is awarded. All pre-determined rate increases listed at the time the contract is awarded must also be paid, beginning on the dates specified. Rates that have expired will remain in effect until new rates are posted.

Prevailing Wage Rate

The prevailing wage rate for each craft will list the effective date of the rate and the following information:

W = Wage Rate per Hour

B = Fringe Benefit Rate per Hour*

T = Total Rate per Hour

* Fringe benefits are an integral part of the prevailing wage rate. Employers not providing such benefits must pay the fringe benefit amount directly to the employee each payday. Employers providing benefits worth less than the fringe benefit amount must pay the balance directly to the employee each payday.

Unless otherwise stated in the Prevailing Wage Rate Determination, the fringe benefit rate for overtime hours remains at the straight time rate.

When the Overtime Notes in the Prevailing Wage Rate Determination state that the overtime rates are "inclusive of benefits," the benefit rate is increased by the same factor as the wage rate (i.e. multiplied by 1.5 for time and one-half, multiplied by 2 for double time, etc.).

Apprentice Rate Schedule

An "apprentice" is an individual who is registered with the United States Department of Labor - Office of Apprenticeship and enrolled in a certified apprenticeship program during the period in which they are working on the public works project.

The apprentice wage rate is a percentage of the journeyman wage rate, unless otherwise indicated. The apprentice benefit rate is the full journeyman benefit rate, unless otherwise indicated.

If there is no apprentice rate schedule listed, the individual must be paid at least the journeyman rate even if that individual is in a certified apprentice program for that trade.

If there is no ratio of apprentices to journeymen listed for a particular craft, then the ratio shall be one (1) apprentice to every four (4) journeymen.

Comments/Notes

For each craft listed there will be comments/notes that cover the definition of the regular workday, shift differentials, overtime, recognized holidays, and any other relevant information.

Public Works Contractor Registration

The Public Works Contractor Registration Act (N.J.S.A. 34:11-56.48, et seq.) requires that **all** contractors, subcontractors, or lower tier subcontractors who are working on or who bid on public works projects register with the Department of Labor and Workforce Development. Applications are available at www.nj.gov/labor (click on Wage & Hour and then go to Registration & Permits).

Pursuant to N.J.S.A. 34:11-56.51:

No contractor shall bid on any contract for public work as defined in section 2 of P.L.1963, c. 150 (C.34:11-56.26) unless the contractor is registered pursuant to this act. No contractor shall list a subcontractor in a bid proposal for the contract unless the subcontractor is registered pursuant to P.L.1999, c.238 (C.34:11-56.48 et seq.) at the time the bid is made. No contractor or subcontractor, including a subcontractor not listed in the bid proposal, shall engage in the performance of any public work subject to the contract, unless the contractor or subcontractor is registered pursuant to that act.

Snow Plowing

Snow plowing contracts are not subject to the New Jersey Prevailing Wage Act or the Public Works Contractor Registration Act.

**NEW JERSEY DEPARTMENT OF LABOR AND WORKFORCE DEVELOPMENT
PREVAILING WAGE RATE DETERMINATION**

County - UNION

Craft: Air Conditioning & Refrigeration - Service and Repair

PREVAILING WAGE RATE

	03/01/23
Journeyman (Mechanic)	W44.23 B28.63 T72.86

Craft: Air Conditioning & Refrigeration - Service and Repair

APPRENTICE RATE SCHEDULE

INTERVAL	PERIOD AND RATES									
As Shown	1st Year	2nd Year	3rd Year	4th Year	5th Year	Wage = %	of Jnymn	Wage		
Wage and Bene	40%	50%	60%	70%	80%	Bene = %	of Jnymn	Bene		

Ratio of Apprentices to Journeymen - 1:4

Craft: Air Conditioning & Refrigeration - Service and Repair

COMMENTS/NOTES

THESE RATES MAY BE USED FOR THE FOLLOWING:

- Service/Repair/Maintenance Work to EXISTING facilities.
- Replacement or Installation of air conditioning and refrigeration equipment when the combined tonnage does not exceed 15 tons for refrigeration, or 25 tons for air conditioning.
- Replacement or Installation of "packaged" or "unitary" rooftop-type units when the combined tonnage of the units does not exceed 75 tons.

NOTE: These rates may NOT be used for any work in new construction (including work on new additions).

The regular workday shall consist of 8 hours, starting between 6:00 AM and 10:00 AM, Monday through Friday.

SHIFT DIFFERENTIALS:

- The second and third shifts shall be paid an additional 15% of the hourly rate.
- All shifts must run for a minimum of 5 consecutive days.

OVERTIME:

Hours worked in excess of 8 per day or before or after the regular workday, that are not shift work, and all hours on Saturday shall be paid at time and one-half the hourly rate, inclusive of benefits. All hours on Sunday and holidays shall be paid at double the hourly rate, inclusive of benefits.

RECOGNIZED HOLIDAYS: New Year's Day, Presidents' Day, Memorial Day, July 4th, Labor Day, Veterans' Day, Thanksgiving Day, Christmas Day.

**NEW JERSEY DEPARTMENT OF LABOR AND WORKFORCE DEVELOPMENT
PREVAILING WAGE RATE DETERMINATION**

County - UNION

Craft: Boilermaker PREVAILING WAGE RATE

	01/01/23
Foreman	W53.50 B46.66 T100.16
General Foreman	W55.50 B47.71 T103.21
Journeyman	W48.50 B44.92 T93.42

Craft: Boilermaker APPRENTICE RATE SCHEDULE

INTERVAL	PERIOD AND RATES									
1000 Hours	65%	70%	75%	80%	85%	90%	95%			
Benefit =	38.07	39.03	40.03	41.00	41.99	42.97	43.93			

Ratio of Apprentices to Journeymen - *

* 1 apprentice will be allowed for the first 5 journeymen, 1 apprentice for the next 10 journeymen and 1 apprentice for each succeeding 20 journeymen up to a maximum of 5 apprentices per contractor on any one job.

Craft: Boilermaker COMMENTS/NOTES

HIGH WORK: All apprentices working on the erection, repair, or dismantling of smoke stacks, standpipes, or water towers shall be paid the Journeyman rate.

The regular workday shall consist of 8 hours, between 8:00 AM and 4:30 PM.

SHIFT DIFFERENTIALS:

- The second shift shall work 7½ hours and receive 8 hours pay, at a rate equal to the regular hourly rate plus 10%.
- The third shift shall work 7 hours and receive 8 hours pay, at a rate equal to the regular hourly rate plus 20%.
- For "Municipal Water Works" projects only, the following shall apply: Two, four day, 10 hour shifts may be worked at straight time Monday through Thursday. The day shift shall work four days, at 10 hours, for 10 hours pay. The second shift shall work four days, at nine and a half hours, for 10 hours pay, plus 10% the hourly rate for new work and .25 cents on repair work. Friday may be used as a make-up day at straight time, due to weather conditions, holiday or any other circumstances beyond the employer's control.

OVERTIME:

- Hours in excess of 8 per day, Monday through Friday, and all hours on Saturdays shall be paid at time and one-half the hourly rate. All hours on Sundays and holidays (except Labor Day) shall be paid at double the hourly rate. All hours on Labor Day shall be paid at four times the hourly rate.
- If any other craft employed by the same contractor, or a subcontractor thereof, receives double time in lieu of time and one-half, then the Boilermaker shall receive double time in lieu of time and one-half.
- For "Municipal Water Works" projects only, the following shall apply: Four 10 hour days may be worked Monday through Thursday at straight time. Friday may be used as a make-up day for a day lost to inclement weather, holiday or other conditions beyond the control of the employer. Overtime shall be paid for any hours that exceed 10 hours per day or 40 hours per week.

**NEW JERSEY DEPARTMENT OF LABOR AND WORKFORCE DEVELOPMENT
PREVAILING WAGE RATE DETERMINATION**

County - UNION

RECOGNIZED HOLIDAYS: New Year's Day, Washington's Birthday, Memorial Day, July 4th, Labor Day, Presidential Election Day, Veterans' Day, Thanksgiving Day, Christmas Day. Sunday holidays observed the following Monday.

**NEW JERSEY DEPARTMENT OF LABOR AND WORKFORCE DEVELOPMENT
PREVAILING WAGE RATE DETERMINATION**

County - UNION

Craft: Boilermaker - Minor Repairs

PREVAILING WAGE RATE

	01/01/23
Foreman	W35.45 B17.78 T53.23
General Foreman	W35.95 B17.78 T53.73
Mechanic	W33.95 B17.78 T51.73

Craft: Boilermaker - Minor Repairs

COMMENTS/NOTES

NOTE: These rates apply to MINOR REPAIR WORK ONLY (repair work in the field for which the contract amount does not exceed \$125,000.00), for boilers that do not produce electric or are not used in the heating of petroleum products.

OVERTIME:

Hours in excess of 8 per day, Monday through Friday, and all hours on Saturdays shall be paid at time and one-half the hourly rate. All hours on Sundays and holidays (except Labor Day) shall be paid at double the hourly rate. All hours on Labor Day shall be paid at four times the hourly rate.

RECOGNIZED HOLIDAYS: New Year's Day, Washington's Birthday, Good Friday, Memorial Day, July 4th, Labor Day, Presidential Election Day, Thanksgiving Day, day after Thanksgiving, Christmas Day. Saturday holidays observed the preceding Friday, Sunday holidays observed the following Monday.

**NEW JERSEY DEPARTMENT OF LABOR AND WORKFORCE DEVELOPMENT
PREVAILING WAGE RATE DETERMINATION**

County - UNION

Craft: Bricklayer, Stone Mason

PREVAILING WAGE RATE

	06/01/23
Deputy Foreman	W51.00 B36.28 T87.28
Foreman	W55.75 B36.28 T92.03
Journeyman	W48.00 B36.28 T84.28

Craft: Bricklayer, Stone Mason

APPRENTICE RATE SCHEDULE

INTERVAL	PERIOD AND RATES									
	40%	50%	55%	60%	65%	70%	75%	80%		
6 Months										
Benefits	4.00	5.00	5.50	6.00	24.29	26.00	27.73	29.43		

Ratio of Apprentices to Journeymen - 1:5

Craft: Bricklayer, Stone Mason

COMMENTS/NOTES

The regular workday shall consist of 8 hours, between 6:00 AM and 4:30 PM.

SHIFT DIFFERENTIALS:

- When a 2 shift schedule (including a day shift) is established, the first, or day shift, shall be established on an 8 hour basis. The second shift shall be established on an 8 hour basis, and receive the regular rate plus 10%, inclusive of benefits.
- When a three shift schedule is established, the first shift shall be established on an 8 hour basis, the second shift on a 7.5 hour basis, and the third shift on a 7 hour basis. The first shift shall receive the regular hourly rate, the second shift shall receive the regular rate plus 10%, inclusive of benefits, and the third shift shall receive the regular rate plus 15%, inclusive of benefits.
- When there is no day shift, and a second or third shift is established, it shall be established on an 8 hour basis. The second shift shall receive the regular rate plus 10%, inclusive of benefits, and the third shift shall receive the regular rate plus 15%, inclusive of benefits.
- When an irregular shift must be established, this shift shall receive the regular rate plus 10%, inclusive of benefits.

OVERTIME:

- The first 2 hours in excess of 8 per day, or before or after the regular workday that are not shift work, Monday through Friday, shall be paid at time and one-half the regular rate, inclusive of benefits. Any additional overtime shall be paid at double the regular rate, inclusive of benefits. The first 10 hours on Saturday shall be paid at time and one-half the regular rate, inclusive of benefits. Any additional overtime shall be paid at double the regular rate, inclusive of benefits. All hours on Sundays and holidays shall be paid at double the regular rate, inclusive of benefits.
- Saturday may be used as a make-up day for hours lost to inclement weather.
- When Bricklayers/Stone Masons work on Saturday with Laborers, and no other crafts are working on the project for the day, benefits may be paid at straight time. If other crafts are present, the applicable overtime rate for benefits shall be paid.

**NEW JERSEY DEPARTMENT OF LABOR AND WORKFORCE DEVELOPMENT
PREVAILING WAGE RATE DETERMINATION**

County - UNION

RECOGNIZED HOLIDAYS: New Year's Day, President's Day, Memorial Day, July 4th, Labor Day, Veterans' Day, Thanksgiving Day, Christmas Day. Sunday holidays will be observed the following Monday.

**NEW JERSEY DEPARTMENT OF LABOR AND WORKFORCE DEVELOPMENT
PREVAILING WAGE RATE DETERMINATION**

County - UNION

Craft: Carpenter PREVAILING WAGE RATE

	05/04/23
Foreman	W62.72 B37.56 T100.28
Journeyman	W54.54 B32.73 T87.27

Craft: Carpenter APPRENTICE RATE SCHEDULE

INTERVAL	PERIOD AND RATES									
Yearly	40%	55%	65%	80%	90%					
Benefit	59% of	Appren	tice	Wage	for all	intervals	+ \$0.56			

Ratio of Apprentices to Journeymen - 1:3

For Solar installation- all work on solar projects that fall under the jurisdiction of the carpenters, and does not require an electrician, the ratio of Apprentices to Journeymen shall be 1:1.

Craft: Carpenter COMMENTS/NOTES

APPRENTICE RATE SCHEDULE FOR THOSE APPRENTICES REGISTERED AS OF 5-1-19:

INTERVAL PERIOD AND RATES
 Yearly 40% 55% 65% 80%
 Benefits 59% of apprentice wage rate for all intervals + \$0.56

FOREMAN REQUIREMENTS:

- When there are 2 or more Carpenters on a job, 1 shall be designated as a Foreman.
- When there are 21 or more Carpenters on a job, 2 shall be designated as Foremen.

The regular workday shall consist of 8 hours, starting between 6:00 AM and 9:00 AM.

SHIFT DIFFERENTIALS:

- When a 2 shift schedule (including a day shift) is established, the day shift shall be established on an 8 hour basis. The second shift shall be established on an 8 hour basis, and receive the regular rate plus 10%, inclusive of benefits.
- When a three shift schedule is established, the first shift shall be established on an 8 hour basis, the second shift on a 7.5 hour basis, and the third shift on a 7 hour basis. The first shift shall receive the regular hourly rate, the second shift shall receive the regular rate plus 10% and the third shift shall receive the regular rate plus 15%, inclusive of benefits.
- When there is no day shift, and a second or third shift is established, it shall be established on an 8 hour basis. The second shift shall receive the regular rate plus 10% and the third shift shall receive the regular rate plus 15%, inclusive of benefits.
- When an irregular shift must be established, this shift shall receive the regular rate plus 15%, inclusive of benefits.

OVERTIME:

- All hours in excess of 8 per day, or before or after an established shift that are not shift work, and all hours on Saturdays shall be paid at time and one-half the hourly rate, inclusive of benefits. All hours on Sundays and holidays shall be paid at double the hourly rate, inclusive of benefits.

**NEW JERSEY DEPARTMENT OF LABOR AND WORKFORCE DEVELOPMENT
PREVAILING WAGE RATE DETERMINATION**

County - UNION

- Four 10-hour days may be worked, Monday to Thursday, at straight time. Friday may be used as a make-up day for a day lost due to inclement weather. If Friday is not a make-up day, all hours on Friday shall be paid at time and one-half the hourly rate, inclusive of benefits.

RECOGNIZED HOLIDAYS: New Year's Day, Presidents' Day, Memorial Day, July 4th, Labor Day, Veterans' Day, Thanksgiving Day, Christmas Day. Sunday holidays observed the following Monday. Veterans' Day may be substituted for the day after Thanksgiving.

**NEW JERSEY DEPARTMENT OF LABOR AND WORKFORCE DEVELOPMENT
PREVAILING WAGE RATE DETERMINATION**

County - UNION

Craft: Carpenter - Resilient Flooring

PREVAILING WAGE RATE

	05/04/23
Foreman	W62.72 B37.47 T100.19
Journeyman	W54.54 B32.64 T87.18

Craft: Carpenter - Resilient Flooring

APPRENTICE RATE SCHEDULE

INTERVAL	PERIOD AND RATES									
Yearly	40%	55%	65%	80%	90%					
Benefit	59%	of	Appren	tice	Wage	for all	intervals	+ \$0.47		

Ratio of Apprentices to Journeymen - *

* 1 apprentice shall be allowed to every 2 journeymen or major fraction thereof. No more than 3 apprentices on any one job or project.

Craft: Carpenter - Resilient Flooring

COMMENTS/NOTES

APPRENTICE RATE SCHEDULE FOR THOSE APPRENTICES REGISTERED AS OF 5-1-19:

INTERVAL PERIOD AND RATES
 Yearly 40% 55% 65% 80%
 Benefits 59% of apprentice wage rate for all intervals + \$0.47

FOREMAN REQUIREMENTS:

- On any job where there are 4 or more Carpenters of Resilient Flooring, 1 must be designated a Foreman.

FOR SYNTHETIC TURF INSTALLATION ONLY:

- The rate shall be 90% of the wage and benefit rate.

The regular workday consists of 8 hours, starting between 6:00 AM and 9:00 AM.

SHIFT DIFFERENTIALS:

- When a 2 shift schedule (including a day shift) is established, the day shift, shall be established on an 8 hour basis. The second shift shall be established on an 8 hour basis, and receive the regular wage rate plus 10%.
- When a three shift schedule is established, the first shift shall be established on an 8 hour basis, the second shift on a 7.5 hour basis, and the third shift on a 7 hour basis. The first shift shall receive the regular wage rate, the second shift shall receive the regular wage rate plus 10% and the third shift shall receive the regular wage rate plus 15%.
- When there is no day shift, and a second or third shift is established, it shall be established on an 8 hour basis. The second shift shall receive the regular wage rate plus 10% and the third shift shall receive the regular wage rate plus 15%.
- When an irregular shift must be established, this shift shall receive the regular rate plus 15%, inclusive of benefits.

OVERTIME:

- Hours in excess of 8 per day or 40 per week, or before or after the regular workday, Monday through Friday, shall be paid at time and one-half the wage rate. Saturday may be used as a make-up day, at straight time, up to 8 hours, for hours lost to reasons beyond the control of the employer, up to a total of 40 hours per week; hours in excess of 8 on Saturday shall

**NEW JERSEY DEPARTMENT OF LABOR AND WORKFORCE DEVELOPMENT
PREVAILING WAGE RATE DETERMINATION**

County - UNION

then be paid at time and one-half the wage rate. If Saturday is not a make-up day, all hours on Saturday shall be paid at time and one-half the wage rate. All hours on Sundays and holidays shall be paid at double the wage rate.

- Four 10-hour days may be worked, Monday to Thursday, at straight time. Friday may be used as a make-up day for hours lost to reasons beyond the control of the employer. If Friday is not a make-up day, all hours on Friday shall be paid at time and one-half the wage rate.

RECOGNIZED HOLIDAYS: New Year's Day, Presidents' Day, Memorial Day, July 4th, Labor Day, Veterans' Day, Thanksgiving Day, Christmas Day. Sunday holidays will be observed the following Monday. Veterans' Day may be substituted for the day after Thanksgiving.

**NEW JERSEY DEPARTMENT OF LABOR AND WORKFORCE DEVELOPMENT
PREVAILING WAGE RATE DETERMINATION**

County - UNION

Craft: Carpenter-Residential Construction

PREVAILING WAGE RATE

	07/19/23
Foreman	W52.62 B11.78 T64.40
Journeyman	W45.76 B10.97 T56.73

Craft: Carpenter-Residential Construction

APPRENTICE RATE SCHEDULE

INTERVAL	PERIOD AND RATES									
Yearly	40%	55%	65%	80%						
Benefit	12% of	Appren	tice	wage rate	for all	intervals	+ \$5.47			

Ratio of Apprentices to Journeymen - 1:3

Craft: Carpenter-Residential Construction

COMMENTS/NOTES

FOREMAN REQUIREMENTS:

- When there are 2 or more Carpenters on a job, 1 shall be designated as a Foreman.
- When there are 21 or more Carpenters on a job, 2 shall be designated as Foremen.

The regular workday shall consist of 8 hours, starting between 6:00 AM and 9:00 AM.

RESIDENTIAL CONSTRUCTION:

All residential construction (excluding commercial buildings and institutional housing), no more than four (4) floors in height above grade consisting of those projects involving the construction, alteration, or repair of town houses or row houses, single family homes, mobile homes, multi-family homes, mixed-use buildings that include commercial space on the first floor or below grade, and apartment buildings.

SHIFT DIFFERENTIALS:

- When a 2 shift schedule (including a day shift) is established, the day shift shall be established on an 8 hour basis. The second shift shall be established on an 8 hour basis, and receive the regular rate plus 10%, inclusive of benefits.
- When a three shift schedule is established, the first shift shall be established on an 8 hour basis, the second shift on a 7.5 hour basis, and the third shift on a 7 hour basis. The first shift shall receive the regular hourly rate, the second shift shall receive the regular rate plus 10% and the third shift shall receive the regular rate plus 15%, inclusive of benefits.
- When there is no day shift, and a second or third shift is established, it shall be established on an 8 hour basis. The second shift shall receive the regular rate plus 10% and the third shift shall receive the regular rate plus 15%, inclusive of benefits.
- When an irregular shift must be established, this shift shall receive the regular rate plus 15%, inclusive of benefits.

OVERTIME:

- All hours in excess of 8 per day, or before or after an established shift that are not shift work, and all hours on Saturdays shall be paid at time and one-half the hourly rate, inclusive of benefits. All hours on Sundays and holidays shall be paid at double the hourly rate, inclusive of benefits.
- Four 10-hour days may be worked, Monday to Thursday, at straight time. Friday may be used as a make-up day for a

**NEW JERSEY DEPARTMENT OF LABOR AND WORKFORCE DEVELOPMENT
PREVAILING WAGE RATE DETERMINATION**

County - UNION

day lost due to inclement weather. If Friday is not a make-up day, all hours on Friday shall be paid at time and one-half the hourly rate, inclusive of benefits.

RECOGNIZED HOLIDAYS: New Year's Day, Presidents' Day, Memorial Day, July 4th, Labor Day, Veterans' Day, Thanksgiving Day, Christmas Day. Sunday holidays observed the following Monday. Veterans' Day may be substituted for the day after Thanksgiving.

**NEW JERSEY DEPARTMENT OF LABOR AND WORKFORCE DEVELOPMENT
PREVAILING WAGE RATE DETERMINATION**

County - UNION

Craft: Cement Mason

PREVAILING WAGE RATE

See "Bricklayer, Stone Mason" Rates

Craft: Cement Mason

APPRENTICE RATE SCHEDULE

INTERVAL	PERIOD AND RATES									

Ratio of Apprentices to Journeymen - 1:4

Craft: Cement Mason

COMMENTS/NOTES

See "Bricklayer, Stone Mason" Rates

**NEW JERSEY DEPARTMENT OF LABOR AND WORKFORCE DEVELOPMENT
PREVAILING WAGE RATE DETERMINATION**

County - UNION

Craft: Commercial Painter PREVAILING WAGE RATE

	05/02/23
Foreman	W48.02 B29.51 T77.53
General Foreman	W52.38 B29.51 T81.89
Journeyman	W43.65 B29.51 T73.16

Craft: Commercial Painter APPRENTICE RATE SCHEDULE

INTERVAL	PERIOD AND RATES									
	40%	45%	55%	65%	70%	75%	80%	80%		
6 Months										
Benefits	8.85	8.85	11.25	11.25	12.30	12.30	15.10	15.10		

Ratio of Apprentices to Journeymen - 1:4

Craft: Commercial Painter COMMENTS/NOTES

* Commercial Painters perform work on all commercial structures such as offices, schools, hotels, shopping malls, restaurants, condominiums, etc.

Spraying, sandblasting, lead abatement work on commercial buildings, work performed above 3 stories or 30 feet in height, or using swing scaffolds requires an additional 10% of the wage rate.

FOREMEN REQUIREMENTS:

- When there are 4 or more Painters on a job, 1 shall be designated a Foreman.
- When there are 15 or more Painters on a job, 1 shall be designated a General Foreman.

The regular workday shall consist of 8 hours between 7:00 AM and 5:30 PM.

SHIFT DIFFERENTIALS:

- The second shift shall receive an additional 10% of the hourly rate, per hour, and the third shift shall receive an additional 15% of the hourly rate, per hour.

OVERTIME:

- Hours in excess of 8 per day, or before or after the regular workday, Monday through Friday, and all hours on Saturdays shall be paid at time and one-half the regular rate. All hours on Sundays and holidays shall be paid at double the regular rate.
- Saturday or Sunday may be used to make up a day lost to inclement weather, at straight time.
- Four 10-hour days may be worked, at straight time, Monday through Friday.

RECOGNIZED HOLIDAYS: New Year's Day, President's Day, Memorial Day, July 4th, Labor Day, General Election Day,

**NEW JERSEY DEPARTMENT OF LABOR AND WORKFORCE DEVELOPMENT
PREVAILING WAGE RATE DETERMINATION**

County - UNION

Veterans' Day, Thanksgiving Day, Christmas Day.

**NEW JERSEY DEPARTMENT OF LABOR AND WORKFORCE DEVELOPMENT
PREVAILING WAGE RATE DETERMINATION**

County - UNION

Craft: Diver **PREVAILING WAGE RATE**

	06/01/23
Diver	W63.24 B51.72 T114.96
Tender	W51.50 B51.72 T103.22

Craft: Diver **COMMENTS/NOTES**

NOTE: All dive crews must consist of a Tender, a Diver, and a standby Diver (standby Diver is the same rate as a Diver).

DEPTH & PENETRATION RATES: Divers shall be paid the following depth and penetration rates, in addition to the regular hourly rate, when applicable:

- | | |
|--------------------------------|---------------------------------|
| AIR DIVES: | MIXED GAS DIVES: |
| 0-59 feet: No additional wage | 0-74 feet: No additional wage |
| 60-74 feet: + \$0.25 per foot | 75-125 feet: + \$1.00 per foot |
| 75-125 feet: + \$0.78 per foot | 126-200 feet: + \$2.00 per foot |

- PENETRATION DIVES:**
- 126-200 feet: + \$1.50 per foot
 - 201-275 feet: + \$1.75 per foot
 - 276-350 feet: + \$2.00 per foot
 - 351-425 feet: + \$2.50 per foot

SHIFT DIFFERENTIAL:

- When a 2 shift schedule (including a day shift) is established, the day shift shall be established on an 8 hour basis. The second shift shall be established on an 8 hour basis and receive an additional 113% of the wage rate.
- When a three shift schedule is established, all three shifts shall be established on an 8 hour basis, but the second and third shifts shall receive an additional 113% of the wage rate.
- Benefits on shift work shall be paid at the straight-time rate.

OVERTIME:

Hours in excess of 8 per day, Monday through Friday, and all hours on Saturdays shall be paid at time and one-half the hourly rate. All hours on Sundays and holidays shall be paid at double the hourly rate.

RECOGNIZED HOLIDAYS: New Year's Day, Presidents' Day, Memorial Day, July 4th, Labor Day, Veterans' Day, Presidential Election Day, Thanksgiving Day, Christmas Day. Veterans' Day may be switched with the day after Thanksgiving.

**NEW JERSEY DEPARTMENT OF LABOR AND WORKFORCE DEVELOPMENT
PREVAILING WAGE RATE DETERMINATION**

County - UNION

Craft: Dockbuilder/Pile Driver

PREVAILING WAGE RATE

	06/01/23
Foreman	W59.23 B51.72 T110.95
Foreman (Concrete Form Work)	W58.13 B38.36 T96.49
Journeyman	W51.50 B51.72 T103.22
Journeyman (Concrete Form Work)	W50.55 B38.36 T88.91

Craft: Dockbuilder/Pile Driver

APPRENTICE RATE SCHEDULE

<u>INTERVAL</u>	<u>PERIOD AND RATES</u>									
Yearly	20.60	25.75	33.48	41.20						
Benefits	33.96	for all	intervals							

Ratio of Apprentices to Journeymen - *

* When there are 4 or fewer Dockbuilders/Pile Drivers on a job, no more than 1 may be an apprentice. When there are 5 or more Dockbuilders/Pile Drivers, there may be 1 apprentice for every 5 Dockbuilders/Pile Drivers.

Craft: Dockbuilder/Pile Driver

COMMENTS/NOTES

APPRENTICE RATE SCHEDULE FOR CONCRETE FORM WORK ONLY:

INTERVAL	PERIOD AND RATES			
Yearly	20.22	25.28	32.86	40.44
Benefits	26.14 for all intervals			

CREOSOTE HANDLING:

When handling creosote products on land piling, floating marine construction, and construction of wharves, the worker shall receive an additional \$0.25 per hour.

HAZARDOUS WASTE WORK:

- Hazardous waste removal work on a state or federally designated hazardous waste site where Level A, B, or C personal protection is required: an additional 20% of the hourly rate, per hour.
- Hazardous waste removal work in Level D, or where personal protection is not required: an additional \$1.00 per hour.

CERTIFIED WELDER: When required on the job by the project owner, a Certified Welder shall receive an additional \$1.00 per hour.

FOREMAN REQUIREMENTS:

The first Dockbuilder/Pile Driver on the job shall be designated a Foreman.

**NEW JERSEY DEPARTMENT OF LABOR AND WORKFORCE DEVELOPMENT
PREVAILING WAGE RATE DETERMINATION**

County - UNION

SHIFT DIFFERENTIAL:

- When a 2 shift schedule (including a day shift) is established, the day shift shall be established on an 8 hour basis. The second shift shall be established on an 8 hour basis and receive an additional 113% of the wage rate.
- When a three shift schedule is established, all three shifts shall be established on an 8 hour basis, but the second and third shifts shall receive an additional 113% of the wage rate.
- Benefits on shift work shall be paid at the straight-time rate.

OVERTIME:

Hours in excess of 8 per day, Monday through Friday, and all hours on Saturdays shall be paid at time and one-half the hourly rate. All hours on Sundays and holidays shall be paid at double the hourly rate.

RECOGNIZED HOLIDAYS: New Year's Day, Presidents' Day, Memorial Day, July 4th, Labor Day, Veterans' Day, Presidential Election Day, Thanksgiving Day, Christmas Day. Veterans' Day may be switched with the day after Thanksgiving.

**NEW JERSEY DEPARTMENT OF LABOR AND WORKFORCE DEVELOPMENT
PREVAILING WAGE RATE DETERMINATION**

County - UNION

Craft: Drywall Finisher

PREVAILING WAGE RATE

	05/02/23
Foreman	W47.17 B29.54 T76.71
General Foreman	W49.31 B29.54 T78.85
Journeyman	W42.88 B29.54 T72.42

Craft: Drywall Finisher

APPRENTICE RATE SCHEDULE

INTERVAL	PERIOD AND RATES									
	40%	50%		60%	70%		80%	90%		
6 Months										
Benefits	Intervals	1 to 2 =	11.45	Intervals	3 to 4 =	14.33	Intervals	5 to 6 =	18.04	

Ratio of Apprentices to Journeymen - 1:4

Craft: Drywall Finisher

COMMENTS/NOTES

The regular workday shall consist of 8 hours between 7:00 AM and 5:30 PM.

SHIFT DIFFERENTIALS:

- The second shift shall receive an additional 10% of the hourly rate, per hour, and the third shift shall receive an additional 15% of the hourly rate, per hour.
- When 3 shifts are worked, the second shift shall receive 8 hours pay for 7.5 hours of work, and the third shift shall receive 8 hours pay for 7 hours of work.
- Shift work must run for a minimum of 5 consecutive workdays.

OVERTIME:

- Hours in excess of 8 per day, Monday through Friday, and all hours on Saturdays shall be paid at time and one-half the regular rate, inclusive of benefits. All hours on Sundays and holidays shall be paid at double the regular rate, inclusive of benefits.
- Saturday or Sunday may be used to make up a day lost to inclement weather, at straight time.

RECOGNIZED HOLIDAYS: New Year's Day, Memorial Day, July 4th, Labor Day, Presidential Election Day, Veterans' Day, Thanksgiving Day, Christmas Day. Saturday holiday observed the preceding Friday. Sunday holiday observed the following Monday.

**NEW JERSEY DEPARTMENT OF LABOR AND WORKFORCE DEVELOPMENT
PREVAILING WAGE RATE DETERMINATION**

County - UNION

Craft: Electrician

PREVAILING WAGE RATE

	05/29/23	06/03/24
Cable Splicer	W68.06 B43.20 T111.26	W69.72 B44.96 T114.68
Foreman (11-20 Journeymen)	W72.39 B45.95 T118.34	W74.15 B47.84 T121.99
Foreman (1-3 Journeymen)	W68.06 B43.20 T111.26	W69.72 B44.96 T114.68
Foreman (4-10 Journeymen)	W71.15 B45.17 T116.32	W72.89 B47.02 T119.91
General Foreman (21-30 Journeymen)	W74.24 B47.14 T121.38	W76.06 B49.06 T125.12
General Foreman (31-60 Journeymen)	W80.43 B51.07 T131.50	W82.39 B53.15 T135.54
General Foreman (61+ Journeymen)	W81.67 B51.85 T133.52	W83.66 B53.97 T137.63
Journeyman	W61.87 B39.30 T101.17	W63.38 B40.89 T104.27
Sub-Foreman	W70.52 B44.79 T115.31	W72.25 B46.61 T118.86

Craft: Electrician

APPRENTICE RATE SCHEDULE

<u>INTERVAL</u>	<u>PERIOD AND RATES</u>									
Yearly	40%	49%	58%	68%	80%		of Jour	neyman	Wage	Rate
Benefit	40%	49%	58%	68%	80%		of Jour	neyman	Benefit	Rate

Ratio of Apprentices to Journeymen - 2:3

Craft: Electrician

COMMENTS/NOTES

**NEW JERSEY DEPARTMENT OF LABOR AND WORKFORCE DEVELOPMENT
PREVAILING WAGE RATE DETERMINATION**

County - UNION

THESE RATES ALSO APPLY TO THE FOLLOWING:

- All burglar and fire alarm work.
- All fiber optic work.
- Teledata work in new construction.
- Teledata work involving 16 Voice/Data Lines or more.

The regular workday shall be 8 hours, between 8:00 AM and 4:30 PM.

FOREMAN REQUIREMENTS:

- 1 to 3 Journeymen- 1 must be a Foreman (Foreman/1-3 Journeymen rate).
- 4 to 10 Journeymen- 1 must be a Foreman (Foreman/4-10 Journeymen rate).
- 11 to 20 Journeymen- 1 must be Foreman (Foreman/11-20 Journeymen rate) and 1 must be a Sub-Foreman.
- 21 to 30 Journeymen- 1 must be a General Foreman (General Foreman/21-30 Journeymen rate) and 2 must be a Sub-Foreman.
- 31 to 40 Journeymen- 1 must be a General Foreman (General Foreman/31-40 Journeymen rate) and 3 must be a Sub-Foreman.
- 41 to 50 Journeymen- 1 must be a General Foreman (General Foreman/31-60 Journeymen rate) and 4 must be a Sub-Foreman.
- 51 to 60 Journeymen- 1 must be a General Foreman (General Foreman/31-60 Journeymen rate) and 5 must be a Sub-Foreman.
- 61+ Journeymen- 1 must be a General Foreman (General Foreman/61+ Journeymen rate) and 6 must be a Sub-Foreman.

SHIFT DIFFERENTIALS:

- Shift work must run for a minimum of 5 consecutive workdays.
- 2nd Shift (4:30 PM to 12:30 AM) shall receive 8 hours pay for 7.5 hours work + an additional 10% of the regular rate, per hour, inclusive of benefits.
- 3rd Shift (12:30 AM to 8:00 AM) shall receive 8 hours pay for 7 hours work + an additional 15% of the regular rate, per hour, inclusive of benefits.

OVERTIME:

Hours in excess of 8 per day, or outside of the regular workday, Monday through Friday, and all hours on Saturdays, shall be paid at time and one-half the regular rate, inclusive of benefits. All hours on Sundays and holidays shall be paid at double the regular rate, inclusive of benefits.

RECOGNIZED HOLIDAYS: New Year's Day, Presidents' Day, Memorial Day, July 4th, Labor Day, Presidential Election Day, Veterans' Day, Thanksgiving Day, Christmas Day.

**NEW JERSEY DEPARTMENT OF LABOR AND WORKFORCE DEVELOPMENT
PREVAILING WAGE RATE DETERMINATION**

County - UNION

Craft: Electrician - Teledata (15 Voice/Data Lines & Less)

PREVAILING WAGE RATE

	11/28/22	12/04/23	12/02/24
Journeyman Technician (1-2 Workers on Job)	W45.86 B27.05 T72.91	W47.08 B27.78 T74.86	W48.21 B28.45 T76.66
Master Tech/General Foreman (26 + Workers on Job)	W59.62 B35.16 T94.78	W61.20 B36.12 T97.32	W62.67 B36.99 T99.66
Senior Technician/Lead Foreman (16-25 Workers on Job)	W54.57 B32.19 T86.76	W56.03 B33.05 T89.08	W57.37 B33.86 T91.23
Technician A/Foreman (9-15 Workers on Job)	W52.28 B30.84 T83.12	W53.67 B31.67 T85.34	W54.96 B32.43 T87.39
Technician B/Working Foreman (4-8 Workers on Job)	W49.99 B29.48 T79.47	W51.32 B30.28 T81.60	W52.55 B31.01 T83.56
Technician C/Foreman (3 Workers on Job)	W47.69 B28.14 T75.83	W48.96 B28.89 T77.85	W50.14 B29.59 T79.73

Craft: Electrician - Teledata (15 Voice/Data Lines & Less)

APPRENTICE RATE SCHEDULE

<u>INTERVAL</u>	<u>PERIOD AND RATES</u>									
6 Months	35%	35%	40%	43%	48%	54%	61%	67%	74%	81%
Benefits	7.45	7.45	8.51	9.15	10.22	11.49	12.98	14.26	15.76	17.24

Ratio of Apprentices to Journeymen - 2:3

Craft: Electrician - Teledata (15 Voice/Data Lines & Less)

COMMENTS/NOTES

APPRENTICE RATE SCHEDULE FOR THOSE APPRENTICES ENTERING PROGRAM AFTER 11-28-22:

<u>INTERVAL</u>	<u>PERIOD AND RATES</u>									
6 Months	35%	35%	40%	43%	48%	54%	61%	67%	74%	81%
Benefits	7.67	7.67	8.76	9.43	10.52	11.84	13.38	14.69	16.22	17.76

APPRENTICE RATE SCHEDULE FOR THOSE APPRENTICES ENTERING PROGRAM AFTER 12-4-23:

<u>INTERVAL</u>	<u>PERIOD AND RATES</u>									
6 Months	35%	35%	40%	43%	48%	54%	61%	67%	74%	81%
Benefits	7.88	7.88	9.00	9.68	10.80	12.15	13.73	15.09	16.66	18.23

APPRENTICE RATE SCHEDULE FOR THOSE APPRENTICES ENTERING PROGRAM AFTER 12-2-24:

**NEW JERSEY DEPARTMENT OF LABOR AND WORKFORCE DEVELOPMENT
PREVAILING WAGE RATE DETERMINATION**

County - UNION

INTERVAL	PERIOD AND RATES									
6 Months	35%	35%	40%	43%	48%	54%	61%	67%	74%	81%
Benefits	8.07	8.07	9.22	9.91	11.07	12.45	14.06	15.44	17.06	18.68

NOTES:

- These rates are for service, maintenance, moves, and/or changes affecting 15 Voice/Data (teledata) lines or less. These rates may NOT be used for any teledata work in new construction (including additions) or any fiber optic work.
- The number of Teledata workers on the jobsite is the determining factor for which Foreman category applies .

The regular workday shall be 8 hours, between 7:00 AM and 5:30 PM.

SHIFT DIFFERENTIALS:

- Shift work must run for a minimum of 5 consecutive workdays.
- 2nd Shift (4:30 PM to 12:30 AM) shall receive 8 hours pay for 7.5 hours work + an additional 10% of the regular rate, per hour, inclusive of benefits.
- 3rd Shift (12:30 AM to 8:00 AM) shall receive 8 hours pay for 7 hours work + an additional 15% of the regular rate, per hour, inclusive of benefits.

OVERTIME:

Hours in excess of 8 per day, or before or after the regular workday, Monday through Friday, that are not shift work, and the first 10 hours on Saturday, shall be paid at time and one-half the regular rate, inclusive of benefits. Hours in excess of 10 on Saturday and all hours on Sunday and holidays shall be paid at double the regular rate, inclusive of benefits.

- Four 10-hour days may be worked Monday through Friday, between the hours of 7:00 AM and 5:30 PM. A make-up day may be used for a day not being worked during the four 10-hour day schedule if a holiday occurs during the week or for any other conditions that prevent an employee from working the four 10-hour day schedule.

RECOGNIZED HOLIDAYS: New Year's Day, Presidents' Day, Memorial Day, July 4th, Labor Day, Presidential Election Day, Veterans Day, Thanksgiving Day, Christmas Day. Sunday holidays will be observed the following Monday. Saturday holidays will be observed the preceding Friday.

**NEW JERSEY DEPARTMENT OF LABOR AND WORKFORCE DEVELOPMENT
PREVAILING WAGE RATE DETERMINATION**

County - UNION

Craft: Electrician - Teledata (16 Instruments & More)

PREVAILING WAGE RATE

See "Electrician" Rates

Craft: Electrician - Teledata (16 Instruments & More)

COMMENTS/NOTES

See ELECTRICIAN Rates

**NEW JERSEY DEPARTMENT OF LABOR AND WORKFORCE DEVELOPMENT
PREVAILING WAGE RATE DETERMINATION**

County - UNION

Craft: Electrician- Outside Commercial

PREVAILING WAGE RATE

	05/29/23	06/03/24
Cable Splicer	W68.37 B42.89 T111.26	W70.04 B44.66 T114.70
Certified Welder	W65.26 B40.95 T106.21	W66.86 B42.62 T109.48
Equipment Operator	W62.15 B39.00 T101.15	W63.67 B40.60 T104.27
Foreman (11-20 Journeymen workers on job)	W72.72 B45.62 T118.34	W74.50 B47.50 T122.00
Foreman (1-3 Journeymen workers on job)	W68.37 B42.89 T111.26	W70.04 B44.66 T114.70
Foreman (4-10 Journeymen workers on job)	W71.47 B44.86 T116.33	W73.23 B46.70 T119.93
General Foreman (21-30 Journeymen workers on job)	W74.58 B46.81 T121.39	W76.41 B48.71 T125.12
General Foreman (31-60 Journeymen workers on job)	W80.80 B50.70 T131.50	W82.78 B52.76 T135.54
General Foreman (61+ Journeymen workers on job)	W82.04 B51.48 T133.52	W84.05 B53.58 T137.63
Groundman	W37.29 B23.41 T60.70	W38.21 B24.35 T62.56
Journeyman Lineman/Technician	W62.15 B39.00 T101.15	W63.67 B40.60 T104.27
Sub-Foreman	W70.85 B44.46 T115.31	W72.59 B46.27 T118.86

**NEW JERSEY DEPARTMENT OF LABOR AND WORKFORCE DEVELOPMENT
PREVAILING WAGE RATE DETERMINATION**

County - UNION

Craft: Electrician- Outside Commercial

APPRENTICE RATE SCHEDULE

INTERVAL	PERIOD AND RATES									
1000 Hours	60%	65%	70%	75%	80%	85%	90%			
Benefits	61.75% of	Journey	man	wage	+	\$.01				

Craft: Electrician- Outside Commercial

COMMENTS/NOTES

APPRENTICE RATE SCHEDULE AS OF 5-29-23:

Interval Period and Rates
 1000 Hours 60% 65% 70% 75% 80% 85% 90%
 Benefits 62.75% of the Journeyman wage + \$.01

APPRENTICE RATE SCHEDULE AS OF 6-3-24:

Interval Period and Rates
 1000 Hours 60% 65% 70% 75% 80% 85% 90%
 Benefits 63.75% of the Journeyman wage + \$.01

* FOR UTILITY WORK PLEASE SEE STATEWIDE RATES

The regular worday shall be 8 hours, between 8:00 AM and 4:30 PM.

FOREMAN REQUIREMENTS:

- 1 to 3 Journeymen- 1 must be a Foreman (Foreman/1-3 Journeymen rate).
- 4 to 10 Journeymen- 1 must be a Foreman (Foreman/4-10 Journeymen rate).
- 11 to 20 Journeymen- 1 must be Foreman (Foreman/11-20 Journeymen rate) and 1 must be a Sub-Foreman.
- 21 to 30 Journeymen- 1 must be a General Foreman (General Foreman/21-30 Journeymen rate) and 2 must be a Sub-Foreman.
- 31 to 40 Journeymen- 1 must be a General Foreman (General Foreman/31-40 Journeymen rate) and 3 must be a Sub-Foreman.
- 41 to 50 Journeymen- 1 must be a General Foreman (General Foreman/31-60 Journeymen rate) and 4 must be a Sub-Foreman.
- 51 to 60 Journeymen- 1 must be a General Foreman (General Foreman/31-60 Journeymen rate) and 5 must be a Sub-Foreman.
- 61+ Journeymen- 1 must be a General Foreman (General Foreman/61+ Journeymen rate) and 6 must be a Sub-Foreman.

SHIFT DIFFERENTIALS:

- Shift work must run for a minimum of 5 consecutive workdays.
- 2nd Shift (4:30 PM to 12:30 AM): 8 hrs. pay for 7.5 hrs. work + an additional 10% of the regular rate, inclusive of benefits.
- 3rd Shift (12:30 AM to 8:00 AM): 8 hrs. pay for 7 hrs. work + an additional 15% of the regular rate per hour, inclusive benefits.

OVERTIME:

Hours in excess of 8 per day, or outside of the regular workday, Monday through Friday, and all hours on Saturdays, shall be paid at time and one-half the regular rate, inclusive of benefits. All hours on Sundays and holidays shall be paid at double the regular rate, inclusive of benefits.

RECOGNIZED HOLIDAYS:

New Year's Day, Presidents' Day, Memorial Day, July 4th, Labor Day, Presidential Election Day, Veterans' Day,

**NEW JERSEY DEPARTMENT OF LABOR AND WORKFORCE DEVELOPMENT
PREVAILING WAGE RATE DETERMINATION**

County - UNION

Thanksgiving Day and Christmas Day.

**NEW JERSEY DEPARTMENT OF LABOR AND WORKFORCE DEVELOPMENT
PREVAILING WAGE RATE DETERMINATION**

County - UNION

Craft: Electrician-Utility Work (North)

PREVAILING WAGE RATE

Rates are located in the "Statewide" rate package

Craft: Electrician-Utility Work (North)

APPRENTICE RATE SCHEDULE

INTERVAL	PERIOD AND RATES									
* 6 Months	60%	65%	70%	75%	80%	85%	90%			
Benefits	69% of	Appren	tice	Wage	Rate	for all	intervals			

Craft: Electrician-Utility Work (North)

COMMENTS/NOTES

Electrician-Utility Work (North) rates are located in the "Statewide" rate package.

* The apprentice wage rate is paid at the percentage of the Journeyman Lineman wage rate located in the "Statewide" rate package.

**NEW JERSEY DEPARTMENT OF LABOR AND WORKFORCE DEVELOPMENT
PREVAILING WAGE RATE DETERMINATION**

County - UNION

Craft: Electrician-Utility Work (South)

PREVAILING WAGE RATE

Rates are located in the "Statewide" rate package

Craft: Electrician-Utility Work (South)

APPRENTICE RATE SCHEDULE

INTERVAL	PERIOD AND RATES									
6 Months	31.65	34.29	36.93	39.56	42.20	44.84	47.78			
Benefits	28.02	29.62	31.20	32.80	34.40	36.00	37.58			

Craft: Electrician-Utility Work (South)

COMMENTS/NOTES

Electrician-Utility Work (South) rates are located in the "Statewide" rate package.

**NEW JERSEY DEPARTMENT OF LABOR AND WORKFORCE DEVELOPMENT
PREVAILING WAGE RATE DETERMINATION**

County - UNION

Craft: Elevator Constructor

PREVAILING WAGE RATE

	03/29/23
Journeyman	W77.49 B45.23 T122.72

Craft: Elevator Constructor

APPRENTICE RATE SCHEDULE

INTERVAL	PERIOD AND RATES									
Yearly	34.60	42.62	50.37	58.12						
Benefits	35.56	36.49	38.02	39.55						

Ratio of Apprentices to Journeymen - 1:1

Craft: Elevator Constructor

COMMENTS/NOTES

The regular workday shall consist of either 7 or 8 hours to be established at the beginning of the project, between 7:00 AM and 4:30 PM.

OVERTIME:

For all hours worked before or after the regular workday, Monday through Friday, and all hours on Saturday and Sunday, shall be paid at double the hourly rate. Holiday pay is one days wages (8 hours) plus double the hourly rate for all hours worked.

RECOGNIZED HOLIDAYS: New Year's Day, Presidents' Day, Good Friday, Memorial Day, July 4th, Labor Day, Columbus Day, Veterans' Day, Thanksgiving Day and the day after, Christmas Day. Saturday holidays shall be observed on the previous Friday and Sunday holidays shall be observed on the following Monday.

**NEW JERSEY DEPARTMENT OF LABOR AND WORKFORCE DEVELOPMENT
PREVAILING WAGE RATE DETERMINATION**

County - UNION

Craft: Elevator Modernization & Service

PREVAILING WAGE RATE

	03/29/23
Journeyman	W60.89 B44.07 T104.96

Craft: Elevator Modernization & Service

APPRENTICE RATE SCHEDULE

INTERVAL	PERIOD AND RATES									
Yearly	34.60	33.49	39.58	45.67						
Benefits	35.50	36.07	37.52	38.97						

Ratio of Apprentices to Journeymen - 1:1

Craft: Elevator Modernization & Service

COMMENTS/NOTES

MODERNIZATION (addition, replacement, refurbishing, relocation, or changes in design or appearance, of elevator equipment in existing buildings):

- The regular workday consists of 8 hours, between 7:00 AM and 4:30 PM.

- Overtime:

Hours in excess of 8 per day, or before or after the regular workday, Monday through Friday, and all hours on Saturday and Sunday shall be paid at time and one-half the hourly rate. Holiday pay is one days wages (8 hours) plus time and one-half the hourly rate for all hours worked.

SERVICE (repair or replacement of parts for the purpose of maintaining elevator equipment in good operating condition):

- The regular workday consists of 8 hours, between 6:00 AM and 6:00 PM.

- Overtime:

Hours in excess of 8 per day, or before or after the regular workday, Monday through Friday, and all hours on Saturday shall be paid at time and one-half the hourly rate. All hours on Sunday and holidays shall be paid at double the hourly rate.

RECOGNIZED HOLIDAYS (Modernization and Service): New Year's Day, Presidents' Day, Good Friday, Memorial Day, July 4th, Labor Day, Columbus Day, Veterans' Day, Thanksgiving Day and the day after, Christmas Day. Saturday holidays shall be observed on the previous Friday and Sunday holidays shall be observed on the following Monday.

**NEW JERSEY DEPARTMENT OF LABOR AND WORKFORCE DEVELOPMENT
PREVAILING WAGE RATE DETERMINATION**

County - UNION

Craft: Glazier PREVAILING WAGE RATE

	06/20/23
* Leadman	W52.53 B30.38 T82.91
Foreman	W54.53 B30.62 T85.15
General Foreman	W56.53 B30.86 T87.39
Journeyman	W50.53 B30.14 T80.67

Craft: Glazier APPRENTICE RATE SCHEDULE

<u>INTERVAL</u>	<u>PERIOD AND RATES</u>									
6 Months	50%	55%	60%	65%	70%	75%	80%	90%		
Benefits	10.16	10.16	12.85	12.85	16.15	16.15	17.64	17.64		

Ratio of Apprentices to Journeymen - 1:4

Craft: Glazier COMMENTS/NOTES

Hazard/Height Pay: +\$1.00 per hour

* When there are three (3) men working on a jobsite for three (3) days or longer, 1 Journeyman may be designated as a Leadman for the duration of the job, provided he has his OSHA certification.

FOREMAN REQUIREMENTS:

- When there are 4 or more Glaziers on a job, 1 must be designated a Foreman.
- When there are 15 or more Glaziers on a job, 1 must be designated a General Foreman.

The regular workday shall consist of 8 hours, between 7:00 AM and 5:30 PM, Monday to Friday.

SHIFT DIFFERENTIALS:

- The second shift shall receive an additional 10% of the hourly rate, per hour, and the third shift shall receive an additional 15% of the hourly rate, per hour.
- When 3 shifts are worked, the second shift shall receive 8 hours pay for 7.5 hours of work, and the third shift shall receive 8 hours pay for 7 hours of work.

OVERTIME:

Hours in excess of 8 per day, or before or after the regular workday Monday through Friday, and all hours on Saturdays shall be paid at time and one-half the regular rate. All hours on Sundays and holidays shall be paid at double the regular

**NEW JERSEY DEPARTMENT OF LABOR AND WORKFORCE DEVELOPMENT
PREVAILING WAGE RATE DETERMINATION**

County - UNION

rate.

RECOGNIZED HOLIDAYS: New Year's Day, Memorial Day, July 4th, Labor Day, General Election Day, Veterans' Day, Thanksgiving Day, Christmas Day. Saturday holiday observed the preceding Friday. Sunday holiday observed the following Monday.

**NEW JERSEY DEPARTMENT OF LABOR AND WORKFORCE DEVELOPMENT
PREVAILING WAGE RATE DETERMINATION**

County - UNION

Craft: Heat & Frost Insulator

PREVAILING WAGE RATE

	09/20/22
Foreman	W60.72 B36.22 T96.94
General Foreman	W63.06 B37.33 T100.39
Journeyman	W58.44 B35.66 T94.10

Craft: Heat & Frost Insulator

APPRENTICE RATE SCHEDULE

INTERVAL	PERIOD AND RATES									
Yearly	27.38	32.49	39.13	45.71						
Benefits	20.86	24.73	27.41	30.01						

Ratio of Apprentices to Journeymen - 1:3

Craft: Heat & Frost Insulator

COMMENTS/NOTES

NOTE: These rates apply to the installing of insulation on hot and cold mechanical systems.

The regular workday shall be 8 hours between 7:00 AM and 3:30 PM. In addition, the regular workday may also be 8 hours between 6:00 AM and 2:30 PM.

SHIFT DIFFERENTIAL:

- Shift work must run for a minimum of 5 consecutive workdays.
- Second Shift shall work 7.5 hours and receive 8 hours pay, at the regular rate, plus 25% per hour.
- Third Shift shall work 7 hours and receive 8 hours pay, at the regular rate, plus 30% per hour.

OVERTIME:

The first 2 hours in excess of 8 per day, hours outside of the regular workday Monday through Friday that are not shift work, and the first 10 hours on Saturday, shall be paid at time and one-half the regular rate, inclusive of benefits. All hours in excess of 10 per day, and all hours on Sunday and holidays (except Labor Day) shall be paid at double the regular rate, inclusive of benefits. All hours on Labor Day shall be paid at triple the regular rate, inclusive of benefits.

RECOGNIZED HOLIDAYS: New Year's Day, President's Day, Memorial Day, July 4th, Labor Day, Veterans' Day, Presidential Election Day, Thanksgiving Day and Christmas Day. Sunday holidays observed the following Monday.

**NEW JERSEY DEPARTMENT OF LABOR AND WORKFORCE DEVELOPMENT
PREVAILING WAGE RATE DETERMINATION**

County - UNION

Craft: Heat & Frost Insulator - Asbestos Worker

PREVAILING WAGE RATE

	09/20/22
Asbestos Helper	W36.89
Abatement	B24.92
	T61.81

Craft: Heat & Frost Insulator - Asbestos Worker

APPRENTICE RATE SCHEDULE

INTERVAL	PERIOD AND RATES									
	SEE	HEAT &	FROST	INSULAT OR						

Ratio of Apprentices to Journeymen - 1:3

Craft: Heat & Frost Insulator - Asbestos Worker

COMMENTS/NOTES

NOTE: These rates apply only to the removal of insulation materials/asbestos from mechanical systems, including containment erection and demolition, and placing material in appropriate containers.

The regular workday shall be 8 hours between 7:00 AM and 3:30 PM. In addition, the regular workday may also be 8 hours between 6:00 AM and 2:30 PM.

SHIFT DIFFERENTIALS:

- Shift work must run for a minimum of 5 consecutive workdays.
- The second shift shall work 7.5 hours and receive 8 hours pay at the regular rate, plus 25% per hour.
- The third shift shall work 7 hours and receive 8 hours pay at the regular rate, plus 30% per hour.

OVERTIME: The first 2 hours in excess of 8 per day, hours outside of the regular workday Monday through Friday that are not shift work, and the first 10 hours on Saturday, shall be paid at time and one-half the regular rate, inclusive of benefits. All hours in excess of 10 per day, and all hours on Sunday and holidays (except Labor Day) shall be paid at double the regular rate, inclusive of benefits. All hours on Labor Day shall be paid at triple the regular rate, inclusive of benefits.

RECOGNIZED HOLIDAYS: New Year's Day, Presidents' Day, Memorial Day, July 4th, Labor Day, Veterans' Day, Presidential Election Day, Thanksgiving Day and Christmas Day. Sunday holidays observed the following Monday.

**NEW JERSEY DEPARTMENT OF LABOR AND WORKFORCE DEVELOPMENT
PREVAILING WAGE RATE DETERMINATION**

County - UNION

Craft: Industrial Painter- Bridges

PREVAILING WAGE RATE

	02/01/23	02/01/24	02/01/25	02/01/26
Foreman	W63.28 B34.92 T98.20	W0.00 B0.00 T100.20	W0.00 B0.00 T102.20	W0.00 B0.00 T104.20
General Foreman	W65.78 B34.92 T100.70	W0.00 B0.00 T102.70	W0.00 B0.00 T104.70	W0.00 B0.00 T106.70
Journeyman	W58.28 B34.92 T93.20	W0.00 B0.00 T95.20	W0.00 B0.00 T97.20	W0.00 B0.00 T99.20

Craft: Industrial Painter- Bridges

APPRENTICE RATE SCHEDULE

INTERVAL	PERIOD AND RATES									
	50%	70%	90%							
6 Months										
Benefits	13.65	20.81	27.43							

Ratio of Apprentices to Journeymen - 1:3

Craft: Industrial Painter- Bridges

COMMENTS/NOTES

* Industrial Painters perform work on all industrial structures, such as bridges.

These rates apply to: All bridges that span waterways, roadways, railways and canyons. All tunnels, overpasses, viaducts and all appurtenances.

FOREMEN REQUIREMENTS:

- When there are 4 or more Painters on a job, 1 shall be designated a Foreman.
- When there are 15 or more Painters on a job, 1 shall be designated a General Foreman.

The regular workday shall consist of 8 hours between 7:00 AM and 5:30 PM.

SHIFT DIFFERENTIALS:

- The second shift shall receive an additional 10% of the hourly rate, per hour, and the third shift shall receive an additional 15% of the hourly rate, per hour.

OVERTIME:

- Hours in excess of 8 per day, Monday through Friday, and all hours on Saturdays and Sundays shall be paid at time and one-half the regular rate. All hours on holidays shall be paid at double the regular rate, except Veterans Day, which shall be paid at time and one-half the regular rate.
- During a regular work week schedule, Saturday may be used as a make-up day lost to inclement weather, paid at the regular rate.
- Four 10-hour days may be worked, at the regular rate, Monday through Thursday. When the four 10-hour day schedule is used, the 11th and 12th hours shall be paid at time and one-half the regular rate. After the 12th hour, a worker shall be paid at double the regular rate. Friday may be used as a make-up day lost to inclement weather, paid at the regular rate.

**NEW JERSEY DEPARTMENT OF LABOR AND WORKFORCE DEVELOPMENT
PREVAILING WAGE RATE DETERMINATION**

County - UNION

RECOGNIZED HOLIDAYS: New Year's Day, President's Day, Memorial Day, July 4th, Labor Day, Presidential Election Day, Veterans Day, Thanksgiving Day, Christmas Day. Saturday holiday observed the preceding Friday. Sunday holiday observed the following Monday.

**NEW JERSEY DEPARTMENT OF LABOR AND WORKFORCE DEVELOPMENT
PREVAILING WAGE RATE DETERMINATION**

County - UNION

Craft: Industrial Painter- Structural Steel

PREVAILING WAGE RATE

	02/01/23	02/01/24	02/01/25	02/01/26
Foreman	W52.02	W0.00	W0.00	W0.00
	B32.57	B0.00	B0.00	B0.00
	T84.59	T86.59	T88.59	T90.59
General Foreman	W54.52	W0.00	W0.00	W0.00
	B32.57	B0.00	B0.00	B0.00
	T87.09	T89.09	T91.09	T93.09
Journeyman	W47.02	W0.00	W0.00	W0.00
	B32.57	B0.00	B0.00	B0.00
	T79.59	T81.59	T83.59	T85.59

Craft: Industrial Painter- Structural Steel

APPRENTICE RATE SCHEDULE

INTERVAL	PERIOD AND RATES									
	SEE	INDUST	RIAL	PAINTER	BRIDGES					

Ratio of Apprentices to Journeymen - 1:3

Craft: Industrial Painter- Structural Steel

COMMENTS/NOTES

* Industrial Painters perform work on all industrial structures, such as water tanks, waste water facilities, refineries, any structural steel work, etc.

These rates apply to: All work in power plants (any aspect). On steeples, on dams, on hangers, transformers, substations, on all open steel, in refineries, tank farms, water/sewerage treatment facilities and on pipelines.

FOREMEN REQUIREMENTS:

- When there are 4 or more Painters on a job, 1 shall be designated a Foreman.
- When there are 15 or more Painters on a job, 1 shall be designated a General Foreman.

The regular workday shall consist of 8 hours between 7:00 AM and 5:30 PM.

SHIFT DIFFERENTIALS:

- The second shift shall receive an additional 10% of the hourly rate, per hour, and the third shift shall receive an additional 15% of the hourly rate, per hour.

OVERTIME:

- Hours in excess of 8 per day, Monday through Friday, and all hours on Saturdays and Sundays shall be paid at time and one-half the regular rate. All hours on holidays shall be paid at double the regular rate, except for Veterans Day, which shall be paid at time and one-half the regular rate.
- During the regular work week schedule, Saturday may be used to make-up a day lost to inclement weather, paid at the regular rate.
- Four 10-hour days may be worked, at the regular rate, Monday through Thursday. When the four 10-hour day schedule is used, the 11th and 12th hours shall be paid at time and one-half the regular rate. After the 12th hour, a worker shall be paid at double the regular rate. Friday may be used as a make-up day lost to inclement weather, paid at the regular rate.

**NEW JERSEY DEPARTMENT OF LABOR AND WORKFORCE DEVELOPMENT
PREVAILING WAGE RATE DETERMINATION**

County - UNION

RECOGNIZED HOLIDAYS: New Year's Day, President's Day, Memorial Day, July 4th, Labor Day, Presidential Election Day, Veterans Day, Thanksgiving Day, Christmas Day. Saturday holiday observed the preceding Friday. Sunday holiday observed the following Monday.

**NEW JERSEY DEPARTMENT OF LABOR AND WORKFORCE DEVELOPMENT
PREVAILING WAGE RATE DETERMINATION**

County - UNION

Craft: Industrial Painter- Water Tanks

PREVAILING WAGE RATE

	02/01/23	02/01/24	02/01/25	02/01/26
Foreman	W53.07 B32.22 T85.29	W0.00 B0.00 T87.29	W0.00 B0.00 T89.29	W0.00 B0.00 T91.29
General Foreman	W55.57 B32.22 T87.79	W0.00 B0.00 T89.79	W0.00 B0.00 T91.79	W0.00 B0.00 T93.79
Journeyman	W48.07 B32.22 T80.29	W0.00 B0.00 T82.29	W0.00 B0.00 T84.29	W0.00 B0.00 T86.29

Craft: Industrial Painter- Water Tanks

APPRENTICE RATE SCHEDULE

INTERVAL	PERIOD AND RATES									
	50%	70%	90%							
6 Months										
Benefits	13.65	20.81	27.43							

Ratio of Apprentices to Journeymen - 1:3

Craft: Industrial Painter- Water Tanks

COMMENTS/NOTES

* Industrial Painters perform work on all industrial structures, such as water tanks, waste water facilities, refineries, any structural steel work, etc.

These rates apply to: All new and repaint water tanks (interior and exterior).

FOREMEN REQUIREMENTS:

- When there are 4 or more Painters on a job, 1 shall be designated a Foreman.
- When there are 15 or more Painters on a job, 1 shall be designated a General Foreman.

The regular workday shall consist of 8 hours between 7:00 AM and 5:30 PM.

SHIFT DIFFERENTIALS:

- The second shift shall receive an additional 10% of the hourly rate, per hour, and the third shift shall receive an additional 15% of the hourly rate, per hour.

OVERTIME:

- Hours in excess of 8 per day, Monday through Friday, and all hours on Saturdays and Sundays shall be paid at time and one-half the regular rate. All hours on holidays shall be paid at double the regular rate, except Veterans Day, which shall be paid at time and one-half the regular rate.
- During a regular work week schedule, Saturday may be used to make-up a day lost to inclement weather, paid at the regular rate.
- Four 10-hour days may be worked, at the regular rate, Monday through Thursday. When the four 10-hour day schedule is used, the 11th and 12th hours shall be paid at time and one-half the regular rate. After the 12th hour, a worker shall be paid at double the regular rate. Friday may be used as a make-up day lost to inclement weather, paid at the regular rate.

**NEW JERSEY DEPARTMENT OF LABOR AND WORKFORCE DEVELOPMENT
PREVAILING WAGE RATE DETERMINATION**

County - UNION

RECOGNIZED HOLIDAYS: New Year's Day, President's Day, Memorial Day, July 4th, Labor Day, Presidential Election Day, Veterans Day, Thanksgiving Day, Christmas Day. Saturday holiday observed the preceding Friday. Sunday holiday observed the following Monday.

**NEW JERSEY DEPARTMENT OF LABOR AND WORKFORCE DEVELOPMENT
PREVAILING WAGE RATE DETERMINATION**

County - UNION

Craft: Ironworker PREVAILING WAGE RATE

	07/07/23
Rod /Fence Foreman	W49.89 B49.67 T99.56
Rod/Fence Journeyman	W46.89 B49.67 T96.56
Structural Foreman	W52.19 B49.67 T101.86
Structural Journeyman	W49.19 B49.67 T98.86

Craft: Ironworker APPRENTICE RATE SCHEDULE

<u>INTERVAL</u>	<u>PERIOD AND RATES</u>									
6 Months	50%	60%		Yearly	70%	80%	90%			
Benefits	same as	journeyma n	amount							

Ratio of Apprentices to Journeymen - 1:4

Craft: Ironworker COMMENTS/NOTES

HAZARDOUS WASTE WORK: On hazardous waste removal work on a state or federally designated hazardous waste site where the Ironworker is required to wear Level A,B, or C personal protection: + \$3.00 per hour

The regular workday consists of 8 hours between 6:00 AM and 4:30 PM.

FOREMAN REQUIREMENTS:

When there are 2 or more Ironworkers on a job, 1 shall be designated a Foreman.

SHIFT DIFFERENTIALS:

- When a 2 shift schedule is established, the first, or day shift , shall be established on an 8 hour basis .The second shift shall be established on an 8 hour basis, and receive the regular rate plus 15%.
- When a three shift schedule is established, the first shift shall be established on an 8 hour basis, the second shift on a 7.5 hour basis, and the third shift on a 7 hour basis. The first shift shall receive the regular hourly rate, the second shift shall receive the regular rate plus 15%, and the third shift shall receive the regular rate plus 20%.
- When there is no day shift, and a second or third shift is established, it shall be established on an 8 hour basis.
- When an irregular shift is established for the Ironworker (Structural) classification, the rate shall be paid at time and one-half the regular rate, inclusive of benefits. When an irregular shift is established for the Rod/Fence classification, the shift shall be established on an 8 hour basis and receive the regular rate, plus 20%.

OVERTIME:

**NEW JERSEY DEPARTMENT OF LABOR AND WORKFORCE DEVELOPMENT
PREVAILING WAGE RATE DETERMINATION**

County - UNION

- All hours in excess of 8 per day, or before or after an established shift that are not shift work, and all hours on Saturday, shall be paid at time and one-half the regular rate, inclusive of benefits. All hours on Sunday and holidays shall be paid at double the hourly rate, inclusive of benefits. Saturday may be used as a make-up day for a day lost to inclement weather. If Saturday is not a make-up day, all hours on Saturday shall be paid at time and one-half the hourly rate, inclusive of benefits.

- Four 10-hour days may be worked, Monday to Thursday, at straight time. Friday may be used as a make-up day for a day lost to inclement weather. If Friday is not a make-up day, all hours on Friday shall be paid at time and one-half the hourly rate, inclusive of benefits.

RECOGNIZED HOLIDAYS: New Year's Day, Presidents' Day, Memorial Day, July 4th, Labor Day, Presidential Election Day, Veterans Day, Thanksgiving Day, Christmas Day.

**NEW JERSEY DEPARTMENT OF LABOR AND WORKFORCE DEVELOPMENT
PREVAILING WAGE RATE DETERMINATION**

County - UNION

Craft: Laborer - Asbestos & Hazardous Waste Removal

PREVAILING WAGE RATE

	08/09/22
Foreman	W41.38 B24.21 T65.59
Journeyman (Handler)	W36.78 B24.21 T60.99

Craft: Laborer - Asbestos & Hazardous Waste Removal

APPRENTICE RATE SCHEDULE

INTERVAL	PERIOD AND RATES									
Yearly	22.07	25.75	29.42	33.10						
Benefits	22.06	for	all	intervals						

Ratio of Apprentices to Journeymen - *

* Ratio of apprentices to journeymen shall not be more than one apprentice for the first journeyman and no more than (1) apprentice for each additional three (3) journeymen.

Craft: Laborer - Asbestos & Hazardous Waste Removal

COMMENTS/NOTES

NOTE: These rates apply to work in connection with Asbestos, Radiation, Hazardous Waste, Lead, Chemical, Biological, Mold Remediation and Abatement.

The regular workday shall be 8 hours.

OVERTIME:

- Hours in excess of 8 per day, Monday through Saturday, and all hours on Sunday and holidays shall be paid at time and one-half the regular rate.
- Benefits on ALL overtime hours shall be paid at straight time.

RECOGNIZED HOLIDAYS: New Year's Day, President's Day, Easter, Memorial Day, July 4th, Labor Day, Veterans Day, Thanksgiving Day, Christmas Day. (Holidays start at 12:00 am).

**NEW JERSEY DEPARTMENT OF LABOR AND WORKFORCE DEVELOPMENT
PREVAILING WAGE RATE DETERMINATION**

County - UNION

Craft: Laborer - Building

PREVAILING WAGE RATE

	06/01/23
Class A Journeyman	W38.00 B32.17 T70.17
Class B Journeyman	W37.00 B32.17 T69.17
Class C Journeyman	W31.45 B32.17 T63.62
Foreman	W42.75 B32.17 T74.92
General Foreman	W47.50 B32.17 T79.67

Craft: Laborer - Building

APPRENTICE RATE SCHEDULE

<u>INTERVAL</u>	<u>PERIOD AND RATES</u>									
	60%	70%	80%	90%	of Class B	wage rate				
6 Months										
Benefit	28.92	28.92	28.92	28.92						

Ratio of Apprentices to Journeymen - *

* Ratio of apprentices to journeymen shall not be more than one apprentice for the first journeyman and no more than (1) apprentice for each additional three (3) journeymen.

Craft: Laborer - Building

COMMENTS/NOTES

CLASS A: Specialist laborer including mason tender or concrete pour crew; scaffold builder (scaffolds up to 14 feet in height); operator of forklifts, Bobcats (or equivalent machinery), jack hammers, tampers, motorized tampers and compactors, vibrators, street cleaning machines, hydro demolition equipment, riding motor buggies, conveyors, burners; and nozzle men on gunite work.

CLASS B: Basic laborer - includes all laborer work not listed in Class A or Class C.

CLASS C: Janitorial-type light clean-up work associated with the TURNOVER of a project, or part of a project, to the owner. All other clean-up work is Class B.

The regular workday shall be 8 hours between 6:00 AM and 6:00 PM.

SHIFT DIFFERENTIALS:

- Shift work must run for a minimum of 5 consecutive workdays.
- When a 2-shift schedule is worked, including a day shift, both shifts shall be established on the basis of 8 hours pay for 8 hours worked. The second shift shall receive the regular rate plus an additional 10%.
- When a 3-shift schedule is worked, the day shift shall be established on the basis of 8 hours pay for 8 hours worked, the second shift shall be established on the basis of 8 hours pay for 7.5 hours worked, and the third shift shall be established

**NEW JERSEY DEPARTMENT OF LABOR AND WORKFORCE DEVELOPMENT
PREVAILING WAGE RATE DETERMINATION**

County - UNION

on the basis of 8 hours pay for 7 hours worked. The day shift shall receive the regular rate, the second shift shall receive the regular rate plus an additional 10%, and the third shift shall receive the regular rate plus an additional 15%.

- When a second or third shift is worked with no day shift, the second or third shift shall be established on the basis of 8 hours pay for 8 hours worked. The second shift shall receive the regular rate plus an additional 10%, and the third shift shall receive the regular rate plus an additional 15%.

- When an irregular shift must be established this shift shall receive the regular rate plus an additional 10%.

OVERTIME:

- Hours in excess of 8 per day, or outside the regular workday that are not shift work, Monday through Friday, and all hours on Saturdays shall be paid at time and one-half the regular rate. Saturday may be used as a make-up day (paid at straight time) for a day lost to inclement weather, or for a holiday that is observed during the work week, Monday through Friday. All hours on Sundays and holidays shall be paid at double the regular rate.

- Four 10-hour days may be worked Monday to Thursday, at straight time, with Friday used a make-up day for a day lost to inclement weather. If Friday is not a make-up day, all hours on Friday shall be paid at time and one-half the regular rate.

- Benefits on ALL overtime hours shall be paid at time and one-half.

RECOGNIZED HOLIDAYS: New Year's Day, Presidents' Day, Memorial Day, July 4th, Labor Day, Veterans Day, Thanksgiving Day, Christmas Day. Sunday holidays observed the following Monday.

**NEW JERSEY DEPARTMENT OF LABOR AND WORKFORCE DEVELOPMENT
PREVAILING WAGE RATE DETERMINATION**

County - UNION

Craft: Laborer - Heavy & General

PREVAILING WAGE RATE

Rates are located in the
"Statewide" rate package

Craft: Laborer - Heavy & General

APPRENTICE RATE SCHEDULE

INTERVAL	PERIOD AND RATES									
1000 Hours	60%	70%	80%	90%						
Benefit	23.98	for	all	intervals						

Ratio of Apprentices to Journeymen - *

* No more than 1 apprentice for the first journeyman and no more than 1 apprentice for each additional 3 journeymen.

Craft: Laborer - Heavy & General

COMMENTS/NOTES

Heavy & General Laborer rates are located in the "Statewide" rate package.

**NEW JERSEY DEPARTMENT OF LABOR AND WORKFORCE DEVELOPMENT
PREVAILING WAGE RATE DETERMINATION**

County - UNION

Craft: Laborer-Residential and Modular Construction

PREVAILING WAGE RATE

	04/01/23
* Skilled Tradesman (only applies to Modular Construction)	W27.90 B5.45 T33.35
Foreman (person directing crew, regardless of his skill classification)	W31.90 B5.45 T37.35
Laborer (for single family and stand-alone duplex owned by single owner)	W17.85 B2.95 T20.80
Residential and Modular Construction Laborer	W23.90 B5.45 T29.35

Craft: Laborer-Residential and Modular Construction

APPRENTICE RATE SCHEDULE

<u>INTERVAL</u>	<u>PERIOD AND RATES</u>									
	As shown	800 hours	600 hours	600 hours						
wage & benefits	70%	80%	90%							

Ratio of Apprentices to Journeymen-

One (1) apprentice shall be allowed for the first journeyman on site and no more than one (1) additional apprentice for each additional three (3) journeymen on site.

Craft: Laborer-Residential and Modular Construction

COMMENTS/NOTES

* SKILLED TRADESMAN- any worker doing work not typically done by a Building Laborer. Some examples are installing interior doors, sheet rock, hooking up appliances, installing light fixtures, installing railing systems, etc. Please note where local building codes require that certain work be performed under the supervision of a licensed tradesman (i.e. Plumber, Electrician, etc.) Laborers shall work under such supervision.

RESIDENTIAL CONSTRUCTION- All residential construction (not commercial), single-family, stand-alone duplex houses, townhouses and multi-family buildings of not more than four (4) floors. Each housing unit must be fully and independently functional; each housing unit must have its own kitchen and bathroom. The definition includes all incidental items such as site work, parking areas, utilities, streets and sidewalks. Please note the construction must be Residential in nature. A First Floor at or below grade may contain commercial space not to exceed 50% square footage of the floor; at least 50% of the First Floor must contain living accommodations or related nonresidential uses (e.g. laundry space, recreation/hobby rooms, and/or corridor space). Basement stories below grade used for storage, parking, mechanical systems/equipment, etc., are considered basement stories which are not used in determining the building's height. An attic is an unfinished space located immediately below the roof. Such space is not used in determining a building's height even if used for storage purposes. In addition, barracks and dormitories are not considered residential projects.

MODULAR RESIDENTIAL CONSTRUCTION- all aspects of modular residential construction (not commercial) at the site of installation of structures of no more than four (4) stories, including all excavation and site preparation, footings and

**NEW JERSEY DEPARTMENT OF LABOR AND WORKFORCE DEVELOPMENT
PREVAILING WAGE RATE DETERMINATION**

County - UNION

foundation systems whether poured on-site or prefabricated, all underground waterproofing, underground utilities, concrete slabs, sidewalks, driveways, paving, hardscape and landscaping. Please note the construction must be Residential as defined above. All work performed by the Set Crew (the crew of workers who set the modular boxes on the foundation), including the rigging, setting, attaching and assembly of all modules and structural members, preparation of the foundation to accept modules, such as sill plates, connection of all in-module and under-module connections including, but not limited to, plumbing, electrical, HVAC, fire suppression, CATS, telephone, television/internet, and fiber optic, the building or installation of any porches or decks regardless of material or method of construction, the on-site installation of, or completion of any roof system, doors, windows and fenestrations, including flashing, gutter and soffit systems, waterproofing, insulation and interior and exterior trim work, and painting. Please note that modular construction does not include on-site stick built construction, tip up construction or panel built construction.

The regular workday shall be 8 hours between 6:00 AM and 6:00 PM.

OVERTIME:

Hours worked in excess of 8 per day/40 per week, Monday through Saturday, and all hours worked on Sunday and holidays shall be paid at time and one-half the hourly rate.

RECOGNIZED HOILDAYS:

New Year's Day, Martin Luther King Day, Memorial Day, July 4th, Labor Day, Thanksgiving Day and Christmas Day.

**NEW JERSEY DEPARTMENT OF LABOR AND WORKFORCE DEVELOPMENT
PREVAILING WAGE RATE DETERMINATION**

County - UNION

Craft: Millwright PREVAILING WAGE RATE

	05/04/23
Foreman	W64.35 B38.57 T102.92
Journeyman	W55.96 B33.62 T89.58

Craft: Millwright APPRENTICE RATE SCHEDULE

INTERVAL	PERIOD AND RATES									
6 Months	40%	55%	65%	80%	90%					
Benefits	59% of	Appren	tice	Wage	Rate	for all	intervals	+ \$0.61		

Ratio of Apprentices to Journeymen - 1:3

Craft: Millwright COMMENTS/NOTES

FOREMAN REQUIREMENTS:

- When there are 2 or more Millwrights on a job, 1 shall be designated as a Foreman.

The regular workday shall consist of 8 hours, starting between 6:00 AM and 9:00 AM.

SHIFT DIFFERENTIALS:

- When a 2 shift schedule (including a day shift) is established, the day shift shall be established on an 8 hour basis. The second shift shall be established on an 8 hour basis, and receive the regular rate plus 15%, inclusive of benefits.
- When a three shift schedule is established, the first shift shall be established on an 8 hour basis, the second shift on a 7.5 hour basis, and the third shift on a 7 hour basis. The first shift shall receive the regular hourly rate, the second shift shall receive the regular rate plus 15% and the third shift shall receive the regular rate plus 20%, inclusive of benefits.
- When there is no day shift, and a second or third shift is established, it shall be established on an 8 hour basis. The second shift shall receive the regular rate plus 15% and the third shift shall receive the regular rate plus 20%, inclusive of benefits.
- When an irregular shift must be established, this shift shall receive the regular rate plus 15%, inclusive of benefits.

OVERTIME:

- All hours in excess of 8 per day, or before or after an established shift that are not shift work, and all hours on Saturdays shall be paid at time and one-half the hourly rate, inclusive of benefits. All hours on Sundays and holidays shall be paid at double the hourly rate, inclusive of benefits.
- Four 10-hour days may be worked, Monday to Thursday, at straight time. Friday may be used as a make-up day for a day lost due to inclement weather. If Friday is not a make-up day, all hours on Friday shall be paid at time and one-half the hourly rate, inclusive of benefits.

RECOGNIZED HOLIDAYS: New Year's Day, Presidents' Day, Memorial Day, July 4th, Labor Day, Veterans' Day, Thanksgiving Day, Christmas Day. Sunday holidays will be observed the following Monday. Veterans' Day may be substituted for the day after Thanksgiving.

**NEW JERSEY DEPARTMENT OF LABOR AND WORKFORCE DEVELOPMENT
PREVAILING WAGE RATE DETERMINATION**

County - UNION

Craft: Operating Engineer

PREVAILING WAGE RATE

Rates are located in the
"Statewide" rate package

Craft: Operating Engineer

APPRENTICE RATE SCHEDULE

INTERVAL	PERIOD AND RATES									
Yearly	60%	70%	80%	90%						

Ratio of Apprentices to Journeymen - *

* 1 apprentice for each piece of heavy equipment. At least 10 pieces of heavy equipment or a minimum of 5 Operating Engineers must be on site.

Craft: Operating Engineer

COMMENTS/NOTES

Operating Engineer rates are located in the "Statewide" rate package.

**NEW JERSEY DEPARTMENT OF LABOR AND WORKFORCE DEVELOPMENT
PREVAILING WAGE RATE DETERMINATION**

County - UNION

Craft: Operating Engineer - Field Engineer

PREVAILING WAGE RATE

Rates are located in the
"Statewide" rate package

Craft: Operating Engineer - Field Engineer

APPRENTICE RATE SCHEDULE

INTERVAL	PERIOD AND RATES									
Yearly	70%	75%	of Rod/	Chainman	Wage					
Yearly			80%	90%	Transit/	Instrument	man	Wage		

Ratio of Apprentices to Journeymen - *

* No more than 1 Field Engineer Apprentice per Survey Crew.

Craft: Operating Engineer - Field Engineer

COMMENTS/NOTES

Operating Engineer - Field Engineer rates are located in the "Statewide" rate package.

**NEW JERSEY DEPARTMENT OF LABOR AND WORKFORCE DEVELOPMENT
PREVAILING WAGE RATE DETERMINATION**

County - UNION

Craft: Painter - Line Striping

PREVAILING WAGE RATE

	12/07/22
Apprentice (1st year)	W29.15 B14.75 T43.90
Apprentice (2nd year)	W33.25 B25.70 T58.95
Foreman (Charge Person)	W42.05 B26.48 T68.53
Journeyman 1 (at least 1 year of working exp. as a journeyman)	W37.28 B26.48 T63.76
Journeyman 2 (at least 2 years of working exp. as a journeyman)	W41.05 B26.48 T67.53

Craft: Painter - Line Striping

COMMENTS/NOTES

OVERTIME:

Hours in excess of 8 per day, Monday through Saturday, and all hours on Sundays and holidays shall be paid at time and one-half the hourly rate.

RECOGNIZED HOLIDAYS: New Year's Day, Presidents' Day, Memorial Day, July 4th, Labor Day, Veterans Day, Thanksgiving Day and Christmas Day. Veterans Day may be substituted for the day after Thanksgiving.

**NEW JERSEY DEPARTMENT OF LABOR AND WORKFORCE DEVELOPMENT
PREVAILING WAGE RATE DETERMINATION**

County - UNION

Craft: Paperhanger PREVAILING WAGE RATE

	05/02/23
Foreman	W52.82 B29.51 T82.33
Journeyman	W48.02 B29.51 T77.53

Craft: Paperhanger APPRENTICE RATE SCHEDULE

INTERVAL	PERIOD AND RATES									
	SEE	COMME R	CIAL	PAINTER						

Craft: Paperhanger COMMENTS/NOTES

FOREMEN REQUIREMENTS:

- When there are 4 or more Paperhangers on a job, 1 shall be designated a Foreman.

The regular workday shall consist of 8 hours between 7:00 AM and 5:30 PM.

SHIFT DIFFERENTIALS:

- The second shift shall receive an additional 10% of the hourly rate, per hour, and the third shift shall receive an additional 15% of the hourly rate, per hour.

OVERTIME:

- Hours in excess of 8 per day, Monday through Friday, and all hours on Saturdays shall be paid at time and one-half the regular rate. All hours on Sundays and holidays shall be paid at double the regular rate.
- Saturday or Sunday may be used to make up a day lost to inclement weather, at straight time.
- Four 10-hour days may be worked, at straight time, Monday through Friday.

RECOGNIZED HOLIDAYS: New Year's Day, President's Day, Memorial Day, July 4th, Labor Day, General Election Day, Veterans Day, Thanksgiving Day, Christmas Day

**NEW JERSEY DEPARTMENT OF LABOR AND WORKFORCE DEVELOPMENT
PREVAILING WAGE RATE DETERMINATION**

County - UNION

Craft: Pipefitter PREVAILING WAGE RATE

	05/02/23
Foreman	W58.68 B49.97 T108.65
Journeyman	W54.43 B46.36 T100.79

Craft: Pipefitter APPRENTICE RATE SCHEDULE

INTERVAL	PERIOD AND RATES									
Yearly	35%	45%	55%	65%	75%					
Benefit	26.80	29.79	32.79	35.78	38.78					

Ratio of Apprentices to Journeymen - 1:5

Craft: Pipefitter COMMENTS/NOTES

FOREMAN REQUIREMENTS:

- When there are 2 or more Journeyman Pipefitters on a job, 1 shall be designated a Foreman.
- There shall be a Foreman for every 8 Journeyman Pipefitters on a job.

The regular workday shall be 8 hours between 7:00 AM and 3:30 PM.

SHIFT DIFFERENTIAL:

- 2nd Shift (3:30 PM-11:30 PM) shall work 7.5 hours and receive 8 hours pay at the regular rate, plus 10% per hour on the total rate.
- 3rd Shift (11:30 PM-7:00 AM) shall work 7 hours and receive 8 hours pay at the regular rate, plus 15% per hour on the total rate.

OVERTIME:

- All hours worked in excess of 8 per day, Monday through Friday, and all hours worked on Saturday, shall be paid at time and one-half, inclusive of benefits. All hours on Sunday and holidays shall be paid at double time, inclusive of benefits.
- By mutual agreement, employees may work four 10-hour days, Monday to Thursday, at straight time rate. Friday may be used as a make-up day for a day lost to inclement weather, and may be paid at straight time. If Friday is not a make-up day, the first 8 hours shall be paid at time and one-half, inclusive of benefits; hours in excess of 8 shall be paid at double time, inclusive of benefits.

SHIFT DIFFERENTIAL (Maintenance Work Only):

- 2nd Shift (3:30 PM-11:30 PM) shall work 7.5 hours and receive 8 hours pay at the regular rate, plus 10% per hour on the total rate.
- 3rd Shift (11:30 PM-7:00 AM) shall work 7 hours and receive 8 hours pay at the regular rate, plus 15% per hour on the total rate.

OVERTIME (Maintenance Work Only):

- All hours in excess of 8 per day, Monday through Saturday, shall be paid at time and one-half, inclusive of benefits. All

**NEW JERSEY DEPARTMENT OF LABOR AND WORKFORCE DEVELOPMENT
PREVAILING WAGE RATE DETERMINATION**

County - UNION

hours on Sundays and holidays shall be paid at double time, inclusive of benefits.

NOTE: Maintenance work is work to repair, restore, or improve the efficiency of existing facilities. This does NOT apply to ANY new construction.

RECOGNIZED HOLIDAYS: New Year's Day, Presidents' Day, Memorial Day, July 4th, Labor Day, Presidential Election Day, Veterans' Day, Thanksgiving Day, Christmas Day. Sunday holidays are observed the following Monday.

**NEW JERSEY DEPARTMENT OF LABOR AND WORKFORCE DEVELOPMENT
PREVAILING WAGE RATE DETERMINATION**

County - UNION

Craft: Plasterer

PREVAILING WAGE RATE

See Bricklayer, Stone Mason Rates

Craft: Plasterer

COMMENTS/NOTES

See BRICKLAYER, STONE MASON Rates

**NEW JERSEY DEPARTMENT OF LABOR AND WORKFORCE DEVELOPMENT
PREVAILING WAGE RATE DETERMINATION**

County - UNION

Craft: Plumber PREVAILING WAGE RATE

	05/02/23
Foreman	W64.25 B41.62 T105.87
General Foreman	W68.41 B41.62 T110.03
Journeyman	W59.49 B41.62 T101.11

Craft: Plumber APPRENTICE RATE SCHEDULE

INTERVAL	PERIOD AND RATES									
Yearly	30%	45%	55%	65%	75%					
Benefits	17.09	23.48	25.72	27.96	30.19					

Ratio of Apprentices to Journeymen - *

* Employers may employ 1 apprentice on any job where 1 or 2 journeymen are employed. Thereafter, 1 apprentice may be employed for every 4 journeymen.

Craft: Plumber COMMENTS/NOTES

FOREMAN REQUIREMENTS:

- On any job having 2 or more Plumbers, 1 must be designated a Foreman.
- On any job having 9 or more Plumbers, 2 shall be designated as Foremen.

The regular workday shall consist of 8 hours between 7:00 AM and 4:30 PM.

SHIFT DIFFERENTIALS:

- Shift work must continue for a minimum of 5 consecutive workdays.
- When two shifts are worked, the second shift shall work 7.5 hours and receive 8 hours pay, at a rate equal to the hourly rate plus 10%, inclusive of benefits.
- When a third shift is worked, the third shift shall work 7 hours and receive 8 hours pay, at a rate equal to the hourly rate plus 15%, inclusive of benefits.

OVERTIME:

- All hours in excess of 8 per day, or before or after the regular workday that are not shift work, Monday through Friday, and all hours on Saturday, shall be paid at time and one-half the regular rate, inclusive of benefits. All hours on Sunday and holidays, shall be paid at double the hourly rate, inclusive of benefits.
- Four 10-hour days may be worked, Monday to Thursday, at straight time. Friday may be used as a make-up day for a day lost due to inclement weather. If Friday is not a make-up day, all hours on Friday shall be paid at time and one-half, inclusive of benefits.

RECOGNIZED HOLIDAYS: New Year's Day, Presidents' Day, Memorial Day, July 4th, Labor Day, Presidential Election Day, Veterans' Day, Thanksgiving Day, Christmas Day. Sunday holidays will be observed the following Monday.

**NEW JERSEY DEPARTMENT OF LABOR AND WORKFORCE DEVELOPMENT
PREVAILING WAGE RATE DETERMINATION**

County - UNION

Craft: Roofer PREVAILING WAGE RATE

	06/13/23
Foreman	W46.77 B30.81 T77.58
Journeyman	W43.77 B30.81 T74.58

Craft: Roofer APPRENTICE RATE SCHEDULE

INTERVAL	PERIOD AND RATES									
6 Months	17.50	21.88	26.26	28.45	30.63	32.83	35.01	39.39		
Benefits	2.16	2.16	27.31	27.31	27.31	27.31	27.31	27.31		

Ratio of Apprentices to Journeymen - *

- * A) For roofing jobs that are of the 1 or single ply nature: 1:2 or fraction thereof
- B) For roofing jobs on new built up roofs: 1:3 or fraction thereof
- C) For roofing jobs that are of a tear-off nature: 1:2 or fraction thereof
- D) For roofing jobs {not requiring complete removal of existing systems, installation done over existing roof}: 1:3 or fraction thereof

Craft: Roofer COMMENTS/NOTES

Pitch: +.50 per hour

Mop Man: +.30 per hour

The regular workday consists of 8 hours between 8:00 AM and 4:30 PM.

OVERTIME:

Hours in excess of 8 per day, or before or after the regular workday, Monday through Friday, and all hours on Saturdays, Sundays, and holidays shall be paid at time and one-half the regular rate.

RECOGNIZED HOLIDAYS: New Year's Day, Good Friday, Memorial Day, July 4th, Labor Day, Presidential Election Day, Veterans' Day, Thanksgiving Day, Christmas Day.

**NEW JERSEY DEPARTMENT OF LABOR AND WORKFORCE DEVELOPMENT
PREVAILING WAGE RATE DETERMINATION**

County - UNION

Craft: Sheet Metal Sign Installation

PREVAILING WAGE RATE

	06/13/23
Foreman	W42.32 B41.76 T84.08
Journeyman	W40.07 B41.76 T81.83

Craft: Sheet Metal Sign Installation

APPRENTICE RATE SCHEDULE

INTERVAL	PERIOD AND RATES									
1000 hours	35%	40%	45%	50%	55%	60%	65%	70%	75%	80%
Benefits	13.85	15.77	17.72	19.69	22.11	24.09	26.07	28.06	30.04	32.02

Ratio of Apprentices to Journeymen - 1:3

Craft: Sheet Metal Sign Installation

COMMENTS/NOTES

FOREMAN REQUIREMENT:

When there are 6 or more Sheet Metal Sign Installers on a job, 1 shall be designated a Foreman.

The regular workday consists of 8 hours, between 7:00 AM and 3:30 PM.

OVERTIME:

Hours before or after the regular workday, Monday through Friday, and all hours worked on Saturday shall be paid at time and one-half the hourly rate. All hours on Sunday and holidays shall be paid at double the hourly rate.

Four(4) 10 hour days may be worked, Monday through Friday, at straight time, for projects lasting at least one week in duration. The fifth day may be used as a make-up day at straight time for a day lost due to inclement weather. However, if the fifth day is not a make-up day, all hours worked will be paid at time and one-half the hourly rate.

RECOGNIZED HOLIDAYS: New Year's Day, Presidents' Day, Good Friday, Memorial Day, July 4th, Labor Day, Veterans' Day, Thanksgiving Day and the day after, Christmas Day. Saturday holidays observed the preceding Friday, Sunday holidays observed the following Monday.

**NEW JERSEY DEPARTMENT OF LABOR AND WORKFORCE DEVELOPMENT
PREVAILING WAGE RATE DETERMINATION**

County - UNION

Craft: Sheet Metal Worker

PREVAILING WAGE RATE

	07/19/23
Foreman	W58.90 B49.52 T108.42
General Foreman	W59.90 B49.52 T109.42
Journeyman	W55.40 B49.52 T104.92

Craft: Sheet Metal Worker

APPRENTICE RATE SCHEDULE

INTERVAL	PERIOD AND RATES									
Yearly	35%	45%	55%	65%	of	Journey	man	Wage	Rate	
Benefit	35%	45%	55%	65%	of	Journey	man	Benefit	Rate	

Ratio of Apprentices to Journeymen - 1:4

Craft: Sheet Metal Worker

COMMENTS/NOTES

FOREMAN REQUIREMENTS:

- When there are 2 or more Sheet Metal Workers on a project, 1 must be designated a Foreman.
- When there are 17 or more Sheet Metal Workers on a project, 1 must be designated a General Foreman.
- When there is only 1 Sheet Metal Worker (1 Journeyman) on a project, he/she shall receive \$1.00 more than the regular Journeyman's rate.

The regular workday is 8 hours between 7:00 AM and 4:30 PM.

SHIFT DIFFERENTIAL:

- 2nd Shift (3:30 PM - 12:00 AM) : +17% of regular hourly rate
- Shift work must run for a minimum of 5 consecutive workdays.

OVERTIME:

- Hours in excess of 8 per day, or before or after the regular workday, that are not shift work, and the first 10 hours on Saturdays shall be paid at time and one-half of the regular rate, inclusive of benefits. Hours in excess of 10 per day on Saturday, and all hours on Sundays and holidays shall be at double the regular rate, inclusive of benefits.
- Four 10-hour days may be worked, Monday through Friday, at straight time, with hours in excess of 10 per day, and hours in excess of 40 per week paid at the overtime rates listed above.

RECOGNIZED HOLIDAYS: New Year's Day, Presidents' Day, Good Friday, Memorial Day, July 4th, Labor Day, Presidential Election Day, Veterans' Day, Thanksgiving Day, Christmas Day. Sunday holidays will be observed the following Monday.

**NEW JERSEY DEPARTMENT OF LABOR AND WORKFORCE DEVELOPMENT
PREVAILING WAGE RATE DETERMINATION**

County - UNION

Craft: Sprinkler Fitter

PREVAILING WAGE RATE

	07/01/23
Foreman	W71.62 B37.55 T109.17
General Foreman	W75.17 B37.55 T112.72
Journeyman	W67.12 B37.55 T104.67

Craft: Sprinkler Fitter

APPRENTICE RATE SCHEDULE

INTERVAL	PERIOD AND RATES									
1000 Hours									80%	85%
Benefits							Intervals	9 to 10	Jourymn	Ben.

Craft: Sprinkler Fitter

COMMENTS/NOTES

Apprentice rate schedule for those apprentices registered as of 7-1-13:

Interval Period and Rates
 1000 Hrs. 25% 30% 40% 45% 55% 60% 70% 75% 85% 90%
 Ben. 13.85 13.85 29.30 29.30 29.30 29.30 Intervals 7-10 Journy. Ben.

Apprentice rate schedule for those apprentices registered as of 7-1-22:

Interval Period and Rates
 1000 Hrs. 30% 35% 40% 45% 50% 55% 60% 70% 85% 95%
 Ben. 13.85 13.85 29.30 29.30 29.30 29.30 Intervals 7-10 Journy. Ben.

The regular workday consists of 8 consecutive hours between 6:00 AM and 4:30 PM.

FOREMAN REQUIREMENTS:

- The first Sprinkler Fitter on the job must be designated a Foreman.
- On any job having 12 or more Sprinkler Fitters, one must be designated a General Foreman.

SHIFT DIFFERENTIALS:

- Shift work must run for a minimum of 2 consecutive workdays.
- 2nd and 3rd shift shall receive an additional 15% of the regular rate, per hour.
- Any "off hours" shift starting at 8:00 PM or later shall receive an additional 25% of the regular rate, per hour.

OVERTIME:

The first 2 hours in excess of 8 per day, after the regular workday that are not shift work, Monday through Friday, shall be paid at time and one-half the regular rate. Hours worked in excess of 10 per day, Monday through Friday, and all hours on Saturday, Sunday and holidays, shall be paid double the regular rate.
 Four 10 hour days may be worked, Monday through Friday, at straight-time.

**NEW JERSEY DEPARTMENT OF LABOR AND WORKFORCE DEVELOPMENT
PREVAILING WAGE RATE DETERMINATION**

County - UNION

RECOGNIZED HOLIDAYS: New Year's Day, Presidents' Day, Memorial Day, July 4th, Labor Day, Veterans Day, Thanksgiving Day, Christmas Day.

**NEW JERSEY DEPARTMENT OF LABOR AND WORKFORCE DEVELOPMENT
PREVAILING WAGE RATE DETERMINATION**

County - UNION

Craft: Tile Finisher-Marble

PREVAILING WAGE RATE

	07/07/23
Finisher	W49.65 B36.82 T86.47

Craft: Tile Finisher-Marble

APPRENTICE RATE SCHEDULE

INTERVAL	PERIOD AND RATES									
750 Hours	40%	60%	65%	70%	75%	85%	95%			
Benefits	Interval 1	thru 5 =	75% of	jyrnm. ben	rate	Interval 6	thru 7 =	full jyrnm	benefit	rate

Ratio of Apprentices to Journeymen - 1:4

Craft: Tile Finisher-Marble

COMMENTS/NOTES

OVERTIME:

Hours in excess of 7 per day, Monday through Friday, and the first 7 hours on Saturdays shall be paid at time and one half the regular rate, inclusive of benefits. Hours in excess of 7 on Saturdays and all hours on Sundays and holidays shall be paid at double the regular rate, inclusive of benefits.

RECOGNIZED HOLIDAYS: New Year's Day, Presidents' Day, Good Friday, Memorial Day, July 4th, Labor Day, Columbus Day, Veterans' Day, Thanksgiving Day and the day after, Christmas Day. Sunday holidays observed the following Monday.

**NEW JERSEY DEPARTMENT OF LABOR AND WORKFORCE DEVELOPMENT
PREVAILING WAGE RATE DETERMINATION**

County - UNION

Craft: Tile Setter - Ceramic

PREVAILING WAGE RATE

	06/13/23
Finisher	W48.36 B32.52 T80.88
Setter	W62.98 B35.75 T98.73

Craft: Tile Setter - Ceramic

APPRENTICE RATE SCHEDULE

INTERVAL	PERIOD AND RATES									
750 Hours	35%	40%	50%	55%	60%	65%	70%	75%	80%	90%

Ratio of Apprentices to Journeymen - 1:4

Craft: Tile Setter - Ceramic

COMMENTS/NOTES

OVERTIME:

Hours in excess of 7 per day, and the first 10 hours on Saturdays shall be paid at time and one-half the hourly rate. All hours on Saturdays after 10 hours shall be paid double the hourly rate. All hours on Sundays and holidays shall be paid at double the hourly rate.

RECOGNIZED HOLIDAYS: New Year's Day, Memorial Day, July 4th, Labor Day, Thanksgiving Day, Christmas Day.

**NEW JERSEY DEPARTMENT OF LABOR AND WORKFORCE DEVELOPMENT
PREVAILING WAGE RATE DETERMINATION**

County - UNION

Craft: Tile Setter - Marble

PREVAILING WAGE RATE

	07/07/23
Tile Setter	W63.12 B39.49 T102.61

Craft: Tile Setter - Marble

APPRENTICE RATE SCHEDULE

INTERVAL	PERIOD AND RATES									
750 Hours	40%	60%	65%	70%	75%	85%	95%			
Benefits	Interval 1	thru 5 =	75% of	jyrm. ben	rate	Interval 6	thru 7 =	full jyrm	benefit	rate

Ratio of Apprentices to Journeymen - 1:4

Craft: Tile Setter - Marble

COMMENTS/NOTES

OVERTIME:

Hours in excess of 7 per day, Monday through Friday, and the first 7 hours on Saturdays shall be paid at time and one-half the regular rate, inclusive of benefits. Hours in excess of 7 on Saturdays, and all hours on Sundays and holidays shall be paid at double the regular rate, inclusive of benefits.

RECOGNIZED HOLIDAYS: New Year's Day, Presidents' Day, Good Friday, Memorial Day, July 4th, Labor Day, Columbus Day, Veterans' Day, Thanksgiving Day and the day after, Christmas Day. Sunday holidays observed the following Monday.

**NEW JERSEY DEPARTMENT OF LABOR AND WORKFORCE DEVELOPMENT
PREVAILING WAGE RATE DETERMINATION**

County - UNION

Craft: Tile Setter - Mosaic & Terrazzo

PREVAILING WAGE RATE

	01/01/23
Grinder or Assistant	W58.67 B39.00 T97.67
Mechanic	W60.28 B39.01 T99.29
Terrazzo Resinous Worker	W50.32 B31.63 T81.95

Craft: Tile Setter - Mosaic & Terrazzo

APPRENTICE RATE SCHEDULE

INTERVAL	PERIOD AND RATES									
750 Hours	50%	55%	60%	65%	70%	75%	85%	95%	100%	

Ratio of Apprentices to Journeymen - 1:5

Craft: Tile Setter - Mosaic & Terrazzo

COMMENTS/NOTES

APPRENTICE RATE SCHEDULE FOR THOSE APPRENTICES ENTERING PROGRAM AFTER 7-1-17:

INTERVAL	PERIOD AND RATES						
1500 Hours	35%	45%	60%	70%	80%	90%	100%

The regular workday consists of 7 hours, between 8:00 AM and 3:30 PM.

OVERTIME:

- Hours in excess of 7 per day, or before or after the regular workday, Monday through Friday, and all hours on Saturdays shall be paid at time and one-half the hourly rate. All hours on Sundays and holidays shall be paid at double the hourly rate.

RECOGNIZED HOLIDAYS: New Year's Day, Presidents' Day, Good Friday, Monday after Easter, Memorial Day, July 4th, Labor Day, Columbus Day, Veterans' Day, Thanksgiving Day and the day after, Christmas Day. Sunday holidays observed the following Monday.

**NEW JERSEY DEPARTMENT OF LABOR AND WORKFORCE DEVELOPMENT
PREVAILING WAGE RATE DETERMINATION**

County - UNION

Craft: Truck Driver

PREVAILING WAGE RATE

	05/01/23	05/01/24
Bucket, Utility, Pick-up, Fuel Delivery trucks	W43.56 B41.78 T85.34	W45.41 B43.28 T88.69
Dump truck, Asphalt Distributor, Tack Spreader	W43.56 B41.78 T85.34	W45.41 B43.28 T88.69
Euclid-type vehicles (large, off-road equipment)	W43.66 B41.78 T85.44	W45.51 B43.28 T88.79
Helper on Asphalt Distributor truck	W43.56 B41.78 T85.34	W45.41 B43.28 T88.69
Low Boy Driver	W45.16 B41.78 T86.94	W47.01 B43.28 T90.29
Slurry Seal, Seeding/Fertilizing/ Mulching truck	W43.56 B41.78 T85.34	W45.41 B43.28 T88.69
Straight 3-axle truck	W43.56 B41.78 T85.34	W45.41 B43.28 T88.69
Tractor Trailer (all types)	W43.66 B41.78 T85.44	W45.51 B43.28 T88.79
Vacuum or Vac-All truck (entire unit)	W43.56 B41.78 T85.34	W45.41 B43.28 T88.69
Winch Trailer	W43.76 B41.78 T85.54	W45.61 B43.28 T88.89

Craft: Truck Driver

COMMENTS/NOTES

BLENDED RATE:

When a truck driver is performing work on the site and also serving as a material delivery driver, the driver shall be paid a "blended rate" which shall be 80% of the above-listed wage rates, plus the full benefit rate. This rate shall be used when the driver "round robins" for a minimum of 6 hours during the work day.

HAZARDOUS WASTE REMOVAL:

- On hazardous waste removal work on a State designated hazardous waste site where the driver is in direct contact with hazardous materials and when personal protective equipment is required for respiratory, skin, and eye protection, the driver shall receive an additional \$3.00 per hour (with or without protective gear).
- A hazardous waste related certified worker at a designated hazardous waste site who is not working in a zone requiring level A, B or C personal protection shall receive an additional \$1.00 per hour.

**NEW JERSEY DEPARTMENT OF LABOR AND WORKFORCE DEVELOPMENT
PREVAILING WAGE RATE DETERMINATION**

County - UNION

TRUCK FOREMAN: \$.75 cents per hour above regular rate. Overtime shall be increased accordingly.

The regular workday shall be 8 hours, starting between 6:00 AM and 8:00 AM.

SHIFT DIFFERENTIAL:

- Shifts starting at 4:00 PM (2nd Shift): + \$3.00 per hour.
- Shifts starting at 12:00 AM (midnight/3rd Shift): time and one-half the hourly rate.
- Shifts starting at a time other than from 6:00 AM to 8:00 AM, when such hours are mandated by the project owner: + \$3.00 per hour.

OVERTIME:

- Hours in excess of 8 per day, or before or after the regular workday, Monday through Friday, that are not shift work, and all hours on Saturdays shall be paid at time and one-half the hourly rate. All hours on Sundays and holidays shall be paid at double the hourly rate.
- Employees may work four 10-hour days at straight time, Monday through Thursday, with Friday used as a make-up day for a lost day. If Friday is not a make-up day, then all hours on Friday shall be paid at time and one-half the hourly rate.
- Benefits on overtime shall be \$40.03.
- As of 5-1-23, benefits on overtime shall be \$41.53.
- As of 5-1-24, benefits on overtime shall be \$43.03.

RECOGNIZED HOLIDAYS: New Year's Day, President's Day, Memorial Day (Decoration Day), July 4th, Labor Day, Veterans Day, Thanksgiving Day, Christmas Day. Sunday holidays will be observed the following Monday. The day after Thanksgiving may be substituted for Veteran's Day.

**NEW JERSEY DEPARTMENT OF LABOR AND WORKFORCE DEVELOPMENT
PREVAILING WAGE RATE DETERMINATION**

County - UNION

Craft: Truck Driver-Material Delivery Driver

PREVAILING WAGE RATE

	05/01/23	05/01/24
Driver	W35.87 B41.78 T77.65	W37.62 B43.28 T80.90

Craft: Truck Driver-Material Delivery Driver

COMMENTS/NOTES

BLENDED RATE:

When a truck driver is performing work on the site and also serving as a material delivery driver, the driver shall be paid a "blended rate". See the "Truck Driver" craft for the blended rates.

Truck Foreman/Shop Steward: +\$0.25 per hour

SHIFT DIFFERENTIALS:

- 2nd Shift shall receive an additional \$0.50 per hour
- 3rd Shift shall receive time and one-half the hourly rate.

OVERTIME:

- Hours in excess of 8 per day, or before or after the regular workday that are not shift work, Monday through Friday, and all hours on Saturday shall be paid at time and one-half the hourly rate. All hours on Sunday and holidays shall be paid at double the hourly rate.

RECOGNIZED HOLIDAYS: New Year's Day, President's Day, Memorial Day (Decoration Day), July 4th, Labor Day, Veterans Day, Thanksgiving Day, Christmas Day. Sunday holidays will be observed the following Monday. The day after Thanksgiving may be substituted for Veterans Day.

**NEW JERSEY DEPARTMENT OF LABOR AND WORKFORCE DEVELOPMENT
PREVAILING WAGE RATE DETERMINATION**

County - UNION

Craft: Welder

PREVAILING WAGE RATE

Welder

Craft: Welder

COMMENTS/NOTES

Welders rate is the same as the craft to which the welding is incidental .

STATEWIDE RATES

OPERATING ENGINEERS **Rates Expiration Date :**

{For apprentice rates refer to "Operating Engineers" apprentice rates in any county rate package}

The regular workday consists of 8 hours, Monday to Friday, between 6:00 AM and 5:30 PM.

SHIFT DIFFERENTIALS:

- Shift work must be established for 5 consecutive workdays.
- Any work started outside of the allowed start time, 6:00 AM to 9:00 AM, except for * tidal work, shall be considered an irregular shift and paid at straight time, plus 15% for the first eight hours, inclusive of benefits.
- * FOR TIDAL WORK- a contractor can start their job according to tide schedules (tide schedules are the various high and low tides related to this work), providing the eight hour shift is completed between the hours of 5:00 AM and 6:30 PM.
- All time worked in excess of an established shift (an established shift is a shift that is determined at the time of the bid) shall be paid at the applicable overtime rate. When a portion of an established shift works into Saturday, Sunday or a holiday, that time worked shall be paid at the established shift rate.
- When working with other trades who receive a higher irregular shift differential, these employees shall also receive the higher differential rate.

OVERTIME:

- Hours in excess of 8 per day, or outside of the regular workday, Monday through Friday, that are not shift work, and all hours on Saturday shall be paid at time and one-half the regular rate, inclusive of benefits. All hours on Sunday and holidays shall be paid at double the regular rate, inclusive of benefits.
- Four 10-hour days may be worked, Monday through Thursday, at straight time, with all hours on Friday paid at time and one-half the regular rate, inclusive of benefits.

RECOGNIZED HOLIDAYS: New Year's Day, Presidents' Day, Memorial Day, July 4th, Labor Day, Presidential Election Day, Veterans Day, Thanksgiving Day, Christmas Day. Sunday holidays observed the following Monday. When all trades on a particular job site agree, the day after Thanksgiving may be substituted for Veterans Day.

For projects bid after April 1, 2020, on hazardous waste removal work of any kind, including a state or federally designated site, where the operating engineer is required to wear level A, B, or C personal protection, the operating engineer shall receive an hourly wage rate of his regular hourly wage plus \$5.00 per hour.

- An operating engineer working at a hazardous waste removal project or site at a task requiring hazardous waste related certification, but who is not working in a zone requiring level A, B, or C personal protection, shall receive an hourly wage rate of his regular rate plus \$1.00 per hour.

OPERATING ENGINEERS **Rates Expiration Date :**

Effective Dates:

07/01/2023

Rate	Fringe	Total
57.63	37.65	95.28

CLASSIFICATIONS:

A-Frame

Backhoe (combination)

Boom Attachment on loaders (Except pipehook)

Boring & Drilling Machine

Brush Chopper, Brush Shredder, Tree Shredder, Tree Shearer

Bulldozer, finish grade

Cableway

Carryall

Concrete Pump

Concrete Pumping System (Pumpcrete & similar types)

Conveyor, 125 feet or longer

Drill Doctor (Duties include dust collector and maintenance)

Front End Loader (2 cu. yds. but less than 5 cu. yds.)

Grader, finish

Groove Cutting Machine (ride-on type)

Heater Planer

Hoist: Outside Material Tower Hoist (all types including steam, gas, diesel, electric, air hydraulic, single and double drum, concrete, brick shaft caisson, snorkle roof, and other similar types, Except Chicago-boom type) * receives an additional \$1.00 per hour on 100 ft. up to 199 ft. total height, and an additional \$2.00 per hour on 200 ft. and over total height.

Hydraulic Crane (10 tons & under)

Hydraulic Dredge

Hydro-Axe

Hydro-Blaster

OPERATING ENGINEERS **Rates Expiration Date :**

Effective Dates:

07/01/2023

Rate	Fringe	Total
57.63	37.65	95.28

CLASSIFICATIONS:

Jack (screw, air hydraulic, power-operated unit, or console type, Except hand jack or pile load test type)

Log Skidder

Pan

Paver, concrete

Plate & Frame Filter Press

Pumpcrete (unit type)

Pumpcrete, Squeezecrete, or Concrete Pumping machine (regardless of size)

Scraper

Side Boom

Straddle Carrier (Ross and similar types)

Whiphammer

Winch Truck (hoisting)

OPERATING ENGINEERS **Rates Expiration Date :**

Effective Dates:

07/01/2023

Rate	Fringe	Total
55.72	37.65	93.37

CLASSIFICATIONS:

- Asphalt Curbing Machine
- Asphalt Plant Engineer
- Asphalt Spreader
- Autograde Curb Trimmer & Sidewalk Shoulder Slipform (CMI & similar types)
- Autograde Curecrete Machine (CMI & similar types)
- Autograde Tube Finisher & Texturing Machine (CMI & similar types)
- Bar Bending Machines (Power)
- Batcher, Batching Plant, & Crusher [On Site]
- Belt Conveyor System
- Boom-Type Skimmer Machine
- Bridge Deck Finisher
- Bulldozer (all sizes)
- Captain (Power Boats)
- Car Dumper (railroad)
- Compressor & Blower unit for loading/unloading of concrete, cement, fly ash, or similar type materials (used independently or truck-mounted)
- Compressor (2 or 3 battery)
- Concrete Breaking Machine
- Concrete Cleaning/Decontamination Machine
- Concrete Finishing Machine
- Concrete Saw or Cutter (ride-on type)
- Concrete Spreader (Hetzl, Rexomatic & similar types)
- Concrete Vibrator

OPERATING ENGINEERS **Rates Expiration Date :**

Effective Dates:

07/01/2023

Rate	Fringe	Total
55.72	37.65	93.37

CLASSIFICATIONS:

- Conveyors - under 125 feet
- Crane Signalman
- Crushing Machine
- Directional Boring Machine
- Ditching Machine - Small (Ditchwitch, Vermeer or similar types)
- Dope Pot - Mechanical (with or without pump)
- Dumpster
- Elevator
- Fireman
- Fork Lift (Economobile, Lull & similar types)
- Front End Loader (1 cu. yd. and over but less than 2 cu. yds.)
- Generator (2 or 3 battery)
- Giraffe Grinder
- Goldhofer/Hydraulic Jacking Trailer
- Grader & Motor Patrols
- Grout Pump
- Gunnite Machine (Excluding nozzle)
- Hammer - Vibratory (in conjunction with generator)
- Heavy Equipment Robotics - Operator/Technician
- Hoist (roof, tigger, aerial platform hoist, house car)
- Hopper
- Hopper Doors (power operated)
- Ladder (motorized)

OPERATING ENGINEERS **Rates Expiration Date :**

Effective Dates:

07/01/2023

Rate	Fringe	Total
55.72	37.65	93.37

CLASSIFICATIONS:

Laddervator

Locomotive (Dinky-type)

Maintenance Utility Man

Master Environmental Maintenance Technician

Mechanic

Mixer (Except paving mixers)

Pavement Breaker (truck-mounted or small self-propelled
ride-on type)

Pavement Breaker - maintenance of compressor or hydraulic unit

Pipe Bending Machine (power)

Pitch Pump

Plaster Pump (regardless of size)

Post Hole Digger (post pounder, auger)

Rod Bending Machines

Roller (black top)

Scale (power)

Seamen Pulverizing Mixer

Shoulder Widener

Silo

Skimmer Machine (boom type)

Steel Cutting Machine (service & maintenance)

Tamrock Drill

Tractor

Transfer Machines

OPERATING ENGINEERS **Rates Expiration Date :**

Effective Dates:

07/01/2023

Rate	Fringe	Total
55.72	37.65	93.37

CLASSIFICATIONS:

Tug Captains

Tug Master (Power Boats)

Ultra High Pressure Waterjet Cutting Tool System -
Operator/Maintenance Technician

Vacuum Blasting Machine - Operator/Maintenance Technician

Vibrating Plant (used with unloading)

Welder & Repair Mechanic

Effective Dates:

07/01/2023

Rate	Fringe	Total
50.38	37.65	88.03

CLASSIFICATIONS:

Assistant Engineer/Oiler

Driller's Helper

Field Engineer - Transit man or Instrument man

Maintenance Apprentice (Deckhand)

Maintenance Apprentice (Oiler)

Mechanic's Helper

Off Road Back Dump

Tire Repair & Maintenance

Effective Dates:

07/01/2023

Rate	Fringe	Total
47.80	37.65	85.45

CLASSIFICATIONS:

Field Engineer - Rodman or Chainman

TERRITORY
ENTIRE STATE

NEW JERSEY DEPARTMENT OF LABOR AND WORKFORCE DEVELOPMENT
PREVAILING WAGE RATE DETERMINATION

OPERATING ENGINEERS Rates Expiration Date :

Effective Dates:

07/01/2023

Rate	Fringe	Total
57.96	37.65	95.61

CLASSIFICATIONS:

Lead Engineer, Foreman Engineer, Safety Engineer (minimum)

OPERATING ENGINEERS **Rates Expiration Date :**

Effective Dates:

07/01/2023

Rate	Fringe	Total
59.22	37.65	96.87

CLASSIFICATIONS:

- Autograde Pavement Profiler (CMI & similar types)
- Autograde Pavement Profiler - Recycle Type (CMI & similar types)
- Autograde Placer/Trimmer/Spreader Combination (CMI & similar types)
- Autograde Slipform Paver (CMI & similar types)
- Backhoe (Excavator)
- Central Power Plant
- Concrete Paving Machine
- Cranes, Derricks, Pile Drivers (all types), under 100 tons with a boom (including jib and/or leads) under 100 ft.
- Draglines
- Drill, Bauer, AMI and similar types
- Drillmaster, Quarrymaster
- Drillmaster/Quarrymaster (down-the-hole drill), rotary drill, self-propelled hydraulic drill, self-powered drill
- Elevator Grader
- Field Engineer-Chief of Party
- Front End Loader (5 cu. yards or larger)
- Gradall
- Grader, Rago
- Helicopter Co-Pilot
- Helicopter Communications Engineer
- Juntann Pile Driver
- Locomotive (large)
- Mucking Machine

OPERATING ENGINEERS **Rates Expiration Date :**

Effective Dates:

07/01/2023

Rate	Fringe	Total
59.22	37.65	96.87

CLASSIFICATIONS:

Pavement & Concrete Breaker (Superhammer & Hoe Ram)

Pile Driver

Prentice Truck

Roadway Surface Grinder

Scooper (loader & shovel)

Shovel (Excavator)

Trackhoe (Excavator)

Tree Chopper with boom

Trenching Machine (cable plow)

Tunnel Boring Machine

Vacuum Truck

OPERATING ENGINEERS **Rates Expiration Date :**

Effective Dates:

07/01/2023

Rate	Fringe	Total
54.09	37.65	91.74

CLASSIFICATIONS:

- Chipper
- Compressor (single)
- Concrete Spreader (small type)
- Conveyor Loader (Except elevator graders)
- Engines, Large Diesel (1620 HP) & Staging Pump
- Farm Tractor
- Fertilizing Equipment (operation & maintenance)
- Fine Grade Machine (small type)
- Form Line Grader (small type)
- Front End Loader (under 1 cubic yard)
- Generator (single)
- Grease, Gas, Fuel, & Oil Supply Trucks
- Heaters (Nelson or other type)
- Lights - portable generating light plant
- Mixer, Concrete (small)
- Mulching Equipment (operation & maintenance)
- Power Broom or Sweeper
- Pump (diesel engine & hydraulic - regardless of power)
- Pump (larger than 2 inch suction, including submersible pumps)
- Road Finishing Machine (small type)
- Roller - grade, fill, or stone base
- Seeding Equipment (operation & maintenance)
- Sprinkler & Water Pump Trucks

OPERATING ENGINEERS **Rates Expiration Date :**

Effective Dates:

07/01/2023

Rate	Fringe	Total
54.09	37.65	91.74

CLASSIFICATIONS:

Steam Generator or Boiler

Stone Spreader

Tamping Machine (vibrating ride-on type)

Temporary Heating Plant (Nelson or other type, including propane, natural gas, and flow-type units)

Water or Sprinkler Truck

Welding Machine (gas, diesel, or electric convertor, of any type)

Welding System - Multiple (rectifier transformer type)

Wellpoint Systems (including installation by bull gang and maintenance)

Effective Dates:

07/01/2023

Rate	Fringe	Total
61.04	37.65	98.69

CLASSIFICATIONS:

Helicopter Pilot/Engineer

Effective Dates:

07/01/2023

Rate	Fringe	Total
65.72	37.65	103.37

CLASSIFICATIONS:

Cranes, Derricks, Pile Driver (all types), 100 tons and over and TOWER CRANE with boom (including jib and/or leads) 140 ft. and over

Effective Dates:

07/01/2023

Rate	Fringe	Total
64.72	37.65	102.37

CLASSIFICATIONS:

Cranes, Derricks, Pile Driver (all types), 100 tons and over and TOWER CRANE with boom (including jib and/or leads) from 100 ft. to 139 ft.

OPERATING ENGINEERS **Rates Expiration Date :**

Effective Dates:

07/01/2023

Rate	Fringe	Total
61.22	37.65	98.87

CLASSIFICATIONS:

Cranes, Derricks, Pile Driver (all types) , under 100 tons with a boom (including jib and/or leads) 140 ft. and over

Effective Dates:

07/01/2023

Rate	Fringe	Total
63.72	37.65	101.37

CLASSIFICATIONS:

Cranes, Derricks, Pile Driver (all types), 100 tons and over and TOWER CRANE with a boom (including jib and/or leads) under 100 ft.

Effective Dates:

07/01/2023

Rate	Fringe	Total
60.22	37.65	97.87

CLASSIFICATIONS:

Cranes, Derricks, Pile Driver (all types), under 100 tons with a boom (including jib and/or leads) from 100 ft. to 139 ft.

STRUCTURAL STEEL ERECTION **Rates Expiration Date :**

{For apprentice rates refer to "Operating Engineers" apprentice rates in any county rate package}

The regular workday consists of 8 hours, Monday to Friday, between 6:00 AM and 5:30 PM.

SHIFT DIFFERENTIALS:

- Shift work must be established for 5 consecutive workdays.
- Any work started outside of the allowed start time, 6:00 AM to 9:00 AM, except for * tidal work, shall be considered an irregular shift and paid at straight time, plus 15% for the first eight hours, inclusive of benefits.
- * FOR TIDAL WORK- a contractor can start their job according to tide schedules (tide schedules are the various high and low tides related to this work), providing the eight hour shift is completed between the hours of 5:00 AM and 6:30 PM.
- All time worked in excess of an established shift (an established shift is a shift that is determined at the time of the bid) shall be paid at the applicable overtime rate. When a portion of an established shift works into Saturday, Sunday or a holiday, that time worked shall be paid at the established shift rate.
- When working with other trades who receive a higher irregular shift differential, these employees shall also receive the higher differential rate.

OVERTIME:

- Hours in excess of 8 per day, or outside of the regular workday, Monday through Friday, that are not shift work, and all hours on Saturday shall be paid at time and one-half the regular rate, inclusive of benefits. All hours on Sunday and holidays shall be paid at double the regular rate, inclusive of benefits.
- Four 10-hour days may be worked, Monday through Thursday, at straight time, with all hours on Friday paid at time and one-half the regular rate, inclusive of benefits.

RECOGNIZED HOLIDAYS: New Year's Day, Presidents' Day, Memorial Day, July 4th, Labor Day, Presidential Election Day, Veterans Day, Thanksgiving Day, Christmas Day. Sunday holidays observed the following Monday. When all trades on a particular job site agree, the day after Thanksgiving may be substituted for Veterans Day.

For projects bid after April 1, 2020, on hazardous waste removal work of any kind, including a state or federally designated site, where the operating engineer is required to wear level A, B, or C personal protection, the operating engineer shall receive an hourly wage rate of his regular hourly wage plus \$5.00 per hour.

- An operating engineer working at a hazardous waste removal project or site at a task requiring hazardous waste related certification, but who is not working in a zone requiring level A, B, or C personal protection, shall receive an hourly wage rate of his regular rate plus \$1.00 per hour.

Effective Dates:

07/01/2023

Rate	Fringe	Total
62.85	37.65	100.50

CLASSIFICATIONS:

Helicopter Co-Pilot & Communications Engineer

TERRITORY
ENTIRE STATE

NEW JERSEY DEPARTMENT OF LABOR AND WORKFORCE DEVELOPMENT
PREVAILING WAGE RATE DETERMINATION

STRUCTURAL STEEL ERECTION Rates Expiration Date :

Effective Dates:

07/01/2023

Rate	Fringe	Total
58.79	37.65	96.44

CLASSIFICATIONS:

A-Frame

Cherry Picker -10 tons or less (Over 10 tons use crane rate)

Hoist (all types Except Chicago-boom)

Jack (screw, air hydraulic, power-operated unit or console type, Except hand jack or pile load test type)

Side Boom

Straddle Carrier

STRUCTURAL STEEL ERECTION **Rates Expiration Date :**

Effective Dates:

07/01/2023

Rate	Fringe	Total
56.13	37.65	93.78

CLASSIFICATIONS:

- Aerial Platform Used On Hoists
- Apprentice Engineer/Oiler with Compressor or Welding Machine
- Captain (Power Boats)
- Compressor (2 or 3 in battery)
- Concrete Cleaning/Decontamination Machine Operator
- Conveyor or Tugger Hoist
- Directional Boring Machine
- Elevator or House Car
- Fireman
- Forklift
- Generator (2 or 3)
- Heavy Equipment Robotics, Operator/Technician
- Maintenance Utility Man
- Master Environmental Maintenance Technician
- Tug Master (Power Boats)
- Ultra High Pressure Waterjet Cutting Tool System Operator/Maintenance Technician
- Vacuum Blasting Machine Operator/Maintenance Technician
- Welding Machines, Gas or Electric Converters on any type-2 or 3 in battery including diesels

STRUCTURAL STEEL ERECTION **Rates Expiration Date :**

Effective Dates:

07/01/2023

Rate	Fringe	Total
54.60	37.65	92.25

CLASSIFICATIONS:

Compressor (Single)

Generators

Welding Machines, Gas, Diesel, Or Electric Converters of any type-single

Welding System, Multiple (Rectifier Transformer Type)

Effective Dates:

07/01/2023

Rate	Fringe	Total
50.84	37.65	88.49

CLASSIFICATIONS:

Assistant Engineer/Oiler

Drillers Helper

Field Engineer - Transit/Instrument Man

Maintenance Apprentice (Deckhand)

Maintenance Apprentice (Oiler)

Off Road Back Dump

Effective Dates:

07/01/2023

Rate	Fringe	Total
58.41	37.65	96.06

CLASSIFICATIONS:

Lead Engineer, Foreman Engineer, Safety Engineer (Minimum)

Effective Dates:

07/01/2023

Rate	Fringe	Total
47.80	37.65	85.45

CLASSIFICATIONS:

Field Engineer - Rodman or Chainman

STRUCTURAL STEEL ERECTION **Rates Expiration Date :**

Effective Dates:

07/01/2023

Rate	Fringe	Total
59.55	37.65	97.20

CLASSIFICATIONS:

Field Engineer-Chief of Party

Vacuum Truck

Effective Dates:

07/01/2023

Rate	Fringe	Total
67.74	37.65	105.39

CLASSIFICATIONS:

Cranes (all cranes, land or floating with booms, including jib, 140 ft. and over, above ground). Derricks (all derricks, land, floating or Chicago Boom type with booms including jib, 140 ft. and over, above ground), and Pile Drivers (all types) 100 tons and over and Tower Cranes.

Effective Dates:

07/01/2023

Rate	Fringe	Total
66.08	37.65	103.73

CLASSIFICATIONS:

Cranes (all cranes, land or floating with booms including jib, less than 140 ft. above ground), Derricks (all derricks, land, floating or Chicago Boom type with booms including jib, less than 140 ft. above ground), Pile Drivers (all types), 100 tons and over and Tower Crane.

Effective Dates:

07/01/2023

Rate	Fringe	Total
63.24	37.65	100.89

CLASSIFICATIONS:

Cranes (all cranes, land or floating with booms including jib, 140 ft. and over, above ground), Derricks (all derricks, land, floating or Chicago Boom type with booms including jib, 140 ft. and over, above ground), Pile Drivers (all types), under 100 tons.

Effective Dates:

07/01/2023

Rate	Fringe	Total
61.58	37.65	99.23

CLASSIFICATIONS:

Cranes (all cranes, land or floating with booms including jib, less than 140 ft. above ground), Derricks (all derricks, land, floating or Chicago Boom type with booms including jib, less than 140 ft. above ground), Pile Drivers (all types), under 100 tons.

TERRITORY
ENTIRE STATE

NEW JERSEY DEPARTMENT OF LABOR AND WORKFORCE DEVELOPMENT
PREVAILING WAGE RATE DETERMINATION

STRUCTURAL STEEL ERECTION Rates Expiration Date :

Effective Dates:

07/01/2023

Rate	Fringe	Total
63.24	37.65	100.89

CLASSIFICATIONS:

Helicopter Pilot & Engineer

TEST BORING PRELIMINARY TO CONSTRUCTION-SOUTH/WEST **Rates Expiration Date :**

THESE RATES APPLY IN THE FOLLOWING COUNTIES ONLY:

Atlantic, Burlington, Camden, Cape May, Cumberland, Gloucester, Hunterdon, Mercer, Monmouth, Ocean, Salem, Sussex, Warren

The regular workday consists of 8 hours, Monday to Friday, between 6:00 AM and 5:30 PM.

SHIFT DIFFERENTIALS:

- Shift work must be established for 5 consecutive workdays.
- Any work started outside of the allowed start time, 6:00 AM to 9:00 AM, except for * tidal work, shall be considered an irregular shift and paid at straight time, plus 15% for the first eight hours, inclusive of benefits.
- * FOR TIDAL WORK- a contractor can start their job according to tide schedules (tide schedules are the various high and low tides related to this work), providing the eight hour shift is completed between the hours of 5:00 AM and 6:30 PM.
- All time worked in excess of an established shift (an established shift is a shift that is determined at the time of the bid) shall be paid at the applicable overtime rate. When a portion of an established shift works into Saturday, Sunday or a holiday, that time worked shall be paid at the established shift rate.
- When working with other trades who receive a higher irregular shift differential, these employees shall also receive the higher differential rate.

OVERTIME:

- Hours in excess of 8 per day, or outside of the regular workday, Monday through Friday, that are not shift work, and all hours on Saturday shall be paid at time and one-half the regular rate, inclusive of benefits. All hours on Sunday and holidays shall be paid at double the regular rate, inclusive of benefits.
- Four 10-hour days may be worked, Monday through Thursday, at straight time, with all hours on Friday paid at time and one-half the regular rate, inclusive of benefits.

RECOGNIZED HOLIDAYS: New Year's Day, Presidents' Day, Memorial Day, July 4th, Labor Day, Presidential Election Day, Veterans Day, Thanksgiving Day, Christmas Day. Sunday holidays observed the following Monday. When all trades on a particular job site agree, the day after Thanksgiving may be substituted for Veterans Day.

For projects bid after April 1, 2020, on hazardous waste removal work of any kind, including a state or federally designated site, where the operating engineer is required to wear level A, B, or C personal protection, the operating engineer shall receive an hourly wage rate of his regular hourly wage plus \$5.00 per hour.

- An operating engineer working at a hazardous waste removal project or site at a task requiring hazardous waste related certification, but who is not working in a zone requiring level A, B, or C personal protection, shall receive an hourly wage rate of his regular rate plus \$1.00 per hour.

Effective Dates:

07/01/2023

Rate	Fringe	Total
59.22	37.65	96.87

CLASSIFICATIONS:

Driller

Effective Dates:

07/01/2023

Rate	Fringe	Total
52.38	37.65	90.03

CLASSIFICATIONS:

Driller's Helper

FREE AIR TUNNEL JOBS **Rates Expiration Date :**

{For apprentice rates refer to "Heavy & General" apprentice rates in any county rate package}

The regular workday consists of 8 hours, starting at 7:00 AM or 8:00 AM.

SHIFT DIFFERENTIALS:

- Shifts must start at 3:00 PM, 4:00 PM, 12:00 AM, or 1:00 AM, to be considered shift work, except when the project owner mandates special hours of work in the job specifications, in which case those hours may be considered shift work.
- When such hours are mandated by the project owner, a shift that begins before midnight on Friday and ends on Saturday morning, or that begins at or after 8:00 PM on Sunday and ends on Monday morning may be paid at the shift differential rate.
- Shifts shall receive an additional \$3.00 per hour.

OVERTIME:

- Hours in excess of 8 per day, Monday through Friday, or outside of the regular workday that are not shift work, and all hours on Saturdays, shall be paid at time and one-half the hourly rate. All hours on Sundays and holidays shall be paid at double the hourly rate.
- Four 10-hour days may be worked, Monday through Thursday, at straight time, with Friday used as a make-up day for a day lost to inclement weather. If Friday is not a make-up day, all hours on Friday shall be paid at time and one-half the hourly rate.

RECOGNIZED HOLIDAYS: New Year's Day, Presidents' Day, Memorial Day, July 4th, Labor Day, Presidential Election Day, Veterans' Day, Thanksgiving Day, Christmas Day. Sunday holidays observed the following Monday. Veterans Day may be substituted for the day after Thanksgiving. However, in the trading of Veterans Day for the day after Thanksgiving, if overtime is worked on Veterans Day, it shall be paid at double the hourly rate.

Hazardous Waste Work:

- where Level A, B, or C protection is required: + \$3.00/hr
- other Hazardous Waste site: + \$1.00/hr

Effective Dates:

03/01/2023

Rate	Fringe	Total
50.30	35.73	86.03

CLASSIFICATIONS:

Walking Boss & Superintendent

Effective Dates:

03/01/2023

Rate	Fringe	Total
50.00	35.73	85.73

CLASSIFICATIONS:

Heading Foreman, Shaft Foreman, Rod Foreman, Electrician Foreman, Rigging Foreman

TERRITORY
ENTIRE STATE

NEW JERSEY DEPARTMENT OF LABOR AND WORKFORCE DEVELOPMENT
PREVAILING WAGE RATE DETERMINATION

FREE AIR TUNNEL JOBS **Rates Expiration Date :**

Effective Dates:

03/01/2023

Rate	Fringe	Total
49.50	35.73	85.23

CLASSIFICATIONS:

Iron Foreman, Caulking Foreman, Form Foreman, Cement Finishing Foreman, Concrete Foreman, Track Foreman, Cleanup Foreman, Grout Foreman

Effective Dates:

03/01/2023

Rate	Fringe	Total
52.00	35.73	87.73

CLASSIFICATIONS:

Blaster

Effective Dates:

03/01/2023

Rate	Fringe	Total
48.95	35.73	84.68

CLASSIFICATIONS:

Top Labor Foreman

Effective Dates:

03/01/2023

Rate	Fringe	Total
48.60	35.73	84.33

CLASSIFICATIONS:

Skilled Men (including Caulker, Powder Carrier, all other skilled men)

Skilled Men (including Miner, Drill Runner, Iron Man, Conveyor Man, Manitenance Man, Safety Miner, Rigger, Block Layer, Cement Finisher, Tod Man)

Effective Dates:

03/01/2023

Rate	Fringe	Total
48.45	35.73	84.18

CLASSIFICATIONS:

Semi-Skilled Men (including Bell or Signal Man Top or Bottom, Form Worker & Mover, Concrete Worker, Shaft Man, Tunnel Laborer, Caulker's Helper, all other semi-skilled)

Semi-Skilled Men (including Miner's Helper, Chuck Tender, Track Man, Nipper, Brake Man, Derail Man, Cable Man, Hose Man, Gravel Man, Form Man)

TERRITORY
ENTIRE STATE

NEW JERSEY DEPARTMENT OF LABOR AND WORKFORCE DEVELOPMENT
PREVAILING WAGE RATE DETERMINATION

FREE AIR TUNNEL JOBS Rates Expiration Date :

Effective Dates:

03/01/2023

Rate	Fringe	Total
48.05	35.73	83.78

CLASSIFICATIONS:

All Others (including Powder Watchman, Change House Attendant, Top Laborer)

DRILL FOR GROUND WATER SUPPLY **Rates Expiration Date :**

The well driller and/or helper may perform all work relative to the construction, finishing, and servicing of wells, pumps and borings for ground water supply. The present methods of well drilling entailing as they do, many diverse job operations calling for drilling, pump discharge, piping, and the operation of various types of related power equipment, shall all be within the job duties and functions of the well driller and/or helper. In the event that an extension of work should occur beyond water well drilling functions, into the field of general construction work, such extension of work would come under the appropriate rates listed elsewhere in this wage determination.

- For Work Hours, Shift Differentials, Overtime Rates, and Recognized Holidays see the "Operating Engineers" section of this wage determination.

Effective Dates:

07/01/2023

Rate	Fringe	Total
57.97	37.65	95.62

CLASSIFICATIONS:

Driller

Effective Dates:

07/01/2023

Rate	Fringe	Total
51.13	37.65	88.78

CLASSIFICATIONS:

Driller's Helper

OPERATING ENGINEERS MARINE-DREDGING **Rates Expiration Date :**

NOTE: These wage rates only apply to dredging and other marine construction activities occurring in navigable waters and their tributaries.

Boat crews carrying explosive material (dynamite, pourfex, and other similar materials) shall be paid at 120% of the hourly wage rate for hours engaged in handling of said materials. Employees required to possess a Hazardous Material Certification as a condition of employment shall be compensated at 120% of the hourly wage rate.

OVERTIME:

Hours in excess of 40 per week, and all hours on Saturdays and Sundays, shall be paid at time and one-half the hourly rate. All hours on holidays shall be paid at double the hourly rate.

RECOGNIZED HOLIDAYS: New Year's Day, Martin Luther King Day, Good Friday, Memorial Day, July 4th, Labor Day, Veterans Day, Thanksgiving Day, Christmas Day. Sunday holidays observed the following Monday.

Effective Dates:

10/01/2022			10/01/2023
Rate	Fringe	Total	Total
43.94	14.54	58.48	60.48

CLASSIFICATIONS:

Lead Dredgerman, Operator, Leverman

Licensed Tug Operator (over 1000 HP)

Effective Dates:

10/01/2022			10/01/2023
Rate	Fringe	Total	Total
38.00	14.18	52.18	53.93

CLASSIFICATIONS:

Derrick Operator, Spider/Spill Barge Operator

Engineer, Electrician, Chief Welder, Chief Mate

Fill Placer, Operator II

Licensed Boat Operator

Maintenance Engineer

Effective Dates:

10/01/2022			10/01/2023
Rate	Fringe	Total	Total
35.77	14.05	49.82	51.47

CLASSIFICATIONS:

Certified Welder

OPERATING ENGINEERS MARINE-DREDGING **Rates Expiration Date :**

Effective Dates:

10/01/2022			10/01/2023
Rate	Fringe	Total	Total
34.79	13.74	48.53	50.14

CLASSIFICATIONS:

Mate, Drag Barge Operator, Steward, Assistant Fill Placer

Welder

Effective Dates:

10/01/2022			10/01/2023
Rate	Fringe	Total	Total
33.67	13.67	47.34	48.91

CLASSIFICATIONS:

Boat Operator

Effective Dates:

10/01/2022			10/01/2023
Rate	Fringe	Total	Total
27.97	13.33	41.30	42.63

CLASSIFICATIONS:

Shoreman, Deckhand, Rodman, Scowman

Effective Dates:

10/01/2022			10/01/2023
Rate	Fringe	Total	Total
39.16	14.25	53.41	55.20

CLASSIFICATIONS:

Crane Operator

MICROSURFACING/SLURRY SEAL Rates Expiration Date :

THESE RATES APPLY IN THE FOLLOWING COUNTIES ONLY:

Atlantic, Burlington, Camden, Cape May, Cumberland, Gloucester, Mercer, Ocean, Salem

IN ALL OTHER COUNTIES use the Heavy and General Laborers - North "Slurry Seal Laborer" rates.

SHIFT DIFFERENTIALS:

Any shift starting at 3:30 PM or later shall receive an additional \$0.35/hr

OVERTIME:

Hours in excess of 8 per day or 40 per week shall be paid at time and one-half the hourly rate. All hours on holidays shall be paid at double the hourly rate.

RECOGNIZED HOLIDAYS: New Year's Day, Washington's Birthday, Memorial Day, July 4th, Labor Day, Presidential Election Day, Veterans' Day, Thanksgiving Day, Christmas Day.

Effective Dates:

03/01/2017

Rate	Fringe	Total
36.50	21.27	57.77

CLASSIFICATIONS:

Foreman

Effective Dates:

03/01/2017

Rate	Fringe	Total
33.80	21.27	55.07

CLASSIFICATIONS:

Box man

Effective Dates:

03/01/2017

Rate	Fringe	Total
31.75	21.27	53.02

CLASSIFICATIONS:

Microsurface/Slurry Preparation

Effective Dates:

03/01/2017

Rate	Fringe	Total
31.75	21.27	53.02

CLASSIFICATIONS:

Squeegee man

TERRITORY
ENTIRE STATE

NEW JERSEY DEPARTMENT OF LABOR AND WORKFORCE DEVELOPMENT
PREVAILING WAGE RATE DETERMINATION

MICROSURFACING/SLURRY SEAL Rates Expiration Date :

Effective Dates:

03/01/2017

Rate	Fringe	Total
30.30	21.27	51.57

CLASSIFICATIONS:

Cleaner, Taper

ASPHALT LABORERS - SOUTH Rates Expiration Date :

"THESE RATES APPLY IN THE FOLLOWING COUNTIES ONLY: Atlantic, Burlington, Camden, Cape May, Cumberland, Gloucester, Mercer, Ocean, Salem

{For apprentice rates refer to "Laborer - Heavy & General" apprentice rates in any county rate package}

The regular workday consists of 8 hours, starting at 7:00 AM or 8:00 AM.

SHIFT DIFFERENTIALS:

- Shifts must start at 3:00 PM, 4:00 PM, 12:00 AM, or 1:00 AM, to be considered shift work, except when the project owner mandates special hours of work in the job specifications, in which case those hours may be considered shift work.
- When such hours are mandated by the project owner, a shift that begins before midnight on Friday and ends on Saturday morning, or that begins at or after 8:00 PM on Sunday and ends on Monday morning may be paid at the shift differential rate.
- Shifts shall receive an additional \$3.00 per hour.

OVERTIME:

- Hours in excess of 8 per day, Monday through Friday, or outside of the regular workday that are not shift work, and all hours on Saturdays, shall be paid at time and one-half the hourly rate. All hours on Sundays and holidays shall be paid at double the hourly rate.
- Four 10-hour days may be worked, Monday through Thursday, at straight time, with Friday used as a make-up day for a day lost to inclement weather. If Friday is not a make-up day, all hours on Friday shall be paid at time and one-half the hourly rate.

RECOGNIZED HOLIDAYS: New Year's Day, Presidents' Day, Memorial Day, July 4th, Labor Day, Presidential Election Day, Veterans' Day, Thanksgiving Day, Christmas Day. Sunday holidays observed the following Monday. Veterans Day may be substituted for the day after Thanksgiving. However, in the trading of Veterans Day for the day after Thanksgiving, if overtime is worked on Veterans Day, it shall be paid at double the hourly rate.

Hazardous Waste Work:

- where Level A, B, or C protection is required: + \$5.00/hr
- other Hazardous Waste site: + \$1.00/hr

FOR TIDE WORK (pertains to tidal water): A contractor can start their job according to tide schedules (tide schedules are the various high and low tides related to this work) providing the eight (8) hour shift is completed between the hours of 5:00 AM and 6:30 PM.

Effective Dates:

03/01/2023

Rate	Fringe	Total
51.80	35.73	87.53

CLASSIFICATIONS:

Paving Foreman

Effective Dates:

03/01/2023

Rate	Fringe	Total
48.35	35.73	84.08

CLASSIFICATIONS:

Head Raker

Effective Dates:

03/01/2023

Rate	Fringe	Total
48.50	35.73	84.23

CLASSIFICATIONS:

Screedman

ASPHALT LABORERS - SOUTH Rates Expiration Date :

Effective Dates:

03/01/2023

Rate	Fringe	Total
47.95	35.73	83.68

CLASSIFICATIONS:

Tampers, Smoothers, Kettlemen,
Painters, Shovelers, Roller Boys

Effective Dates:

03/01/2023

Rate	Fringe	Total
48.05	35.73	83.78

CLASSIFICATIONS:

Milling Controller

Effective Dates:

03/01/2023

Rate	Fringe	Total
48.25	35.73	83.98

CLASSIFICATIONS:

Traffic Control Coordinator

Effective Dates:

03/01/2023

Rate	Fringe	Total
48.20	35.73	83.93

CLASSIFICATIONS:

Raker, Luteman

TEST BORING PRELIMINARY TO CONSTRUCTION-NORTH **Rates Expiration Date :**

THESE RATES APPLY IN THE FOLLOWING COUNTIES ONLY:
Bergen, Essex, Hudson, Middlesex, Morris, Passaic, Somerset, Union

SHIFT DIFFERENTIAL:

Employees on a shift other than between the hours of 8:00 AM and 5:00 PM shall receive an additional \$2.00 per hour.

OVERTIME:

Hours in excess of 8 per day, Monday through Friday, and all hours on Saturday shall be paid at time and one-half the regular rate. All hours on Sundays and holidays shall be paid at double the regular rate.

RECOGNIZED HOLIDAYS: New Year's Day, Memorial Day, July 4th, Labor Day, Thanksgiving Day, and Christmas Day. Sunday holidays observed the following Monday.

Hazardous Waste Pay (for Levels A, B, and C): an additional 15% of the hourly rate, per hour.

A newly hired Helper with no experience in the industry shall be paid as follows:

- 1st year on the job - 70% of Helper wage rate
- 2nd year on the job - 80% of Helper wage rate
- 3rd year on the job - 90% of Helper wage rate
- All helpers receive full fringe benefit rate.

Effective Dates:

10/18/2022

Rate	Fringe	Total
0.00	0.00	65.92

CLASSIFICATIONS:

Helper (4th year helper)

Effective Dates:

10/18/2022

Rate	Fringe	Total
0.00	0.00	75.24

CLASSIFICATIONS:

Driller

Effective Dates:

10/18/2022

Rate	Fringe	Total
0.00	0.00	81.28

CLASSIFICATIONS:

Foreman

HEAVY & GENERAL LABORERS - NORTH **Rates Expiration Date :**

THESE RATES APPLY IN THE FOLLOWING COUNTIES ONLY:

Bergen, Essex, Hudson, Hunterdon, Middlesex, Monmouth, Morris, Passaic, Somerset, Sussex, Union, Warren

{For apprentice rates refer to "Laborer - Heavy & General" apprentice rates in any county rate package}

The regular workday consists of 8 hours, starting at 7:00 AM or 8:00 AM.

SHIFT DIFFERENTIALS:

- Shifts must start at 3:00 PM, 4:00 PM, 12:00 AM, or 1:00 AM, to be considered shift work, except when the project owner mandates special hours of work in the job specifications, in which case those hours may be considered shift work.
- When such hours are mandated by the project owner, a shift that begins before midnight on Friday and ends on Saturday morning, or that begins at or after 8:00 PM on Sunday and ends on Monday morning may be paid at the shift differential rate.
- Shifts shall receive an additional \$3.00 per hour.

FOR TIDE WORK (pertains to tidal water): A contractor can start their job according to tide schedules (tide schedules are the various high and low tides related to this work) providing the eight (8) hour shift is completed between the hours of 5:00 AM and 6:30 PM.

OVERTIME:

- Hours in excess of 8 per day, Monday through Friday, or outside of the regular workday that are not shift work, and all hours on Saturdays, shall be paid at time and one-half the hourly rate. All hours on Sundays and holidays shall be paid at double the hourly rate.
- Four 10-hour days may be worked, Monday through Thursday, at straight time, with Friday used as a make-up day for a day lost to inclement weather. If Friday is not a make-up day, all hours on Friday shall be paid at time and one-half the hourly rate.

RECOGNIZED HOLIDAYS: New Year's Day, Presidents' Day, Memorial Day, July 4th, Labor Day, Presidential Election Day, Veterans' Day, Thanksgiving Day, Christmas Day. Sunday holidays observed the following Monday. Veterans Day may be substituted for the day after Thanksgiving. However, in the trading of Veterans Day for the day after Thanksgiving, if overtime is worked on Veterans Day, it shall be paid at double the hourly rate.

Hazardous Waste Work:

- where Level A, B, or C protection is required: + \$5.00/hr
- other Hazardous Waste site: + \$1.00/hr

Effective Dates:

03/01/2023

Rate	Fringe	Total
47.55	35.73	83.28

CLASSIFICATIONS:

"D" Rate:

basic, landscape, asphalt, slurry seal, or railroad track laborer; utility meter installer; flagman; salamander tender; pitman; dumpman; rakers or tampers on cold patch work; wrappers or coaters of pipe; waterproofer; timberman; wagon drill or drill master helper; powder carrier; magazine tender; signal man; power buggy operator; tree cutter; operator of basic power tools

Effective Dates:

03/01/2023

Rate	Fringe	Total
48.25	35.73	83.98

CLASSIFICATIONS:

"C" Rate:

pipe layer; laser man; conduit or duct line layer; operator of jack hammer, chipping hammer, pavement breaker, concrete cutter, asphalt cutter, sheet hammer, or walk-behind saw cutter; sandblaster; acetylene cutting or burning; wagon drill, directional drill, or hydraulic drill operator; drill master; core driller; traffic control coordinator; asphalt raker or lute man

HEAVY & GENERAL LABORERS - NORTH **Rates Expiration Date :**

Effective Dates:

03/01/2023

Rate	Fringe	Total
48.50	35.73	84.23

CLASSIFICATIONS:

"B" Rate:

concrete finisher; setter of brick or stone pavers; stone cutter; form setter; manhole, catch basin, or inlet builder; asphalt screedman; rammer; hardscaping; gunite nozzle man

Effective Dates:

03/01/2023

Rate	Fringe	Total
52.05	35.73	87.78

CLASSIFICATIONS:

"A" Rate:

blaster

Effective Dates:

03/01/2023

Rate	Fringe	Total
51.80	35.73	87.53

CLASSIFICATIONS:

"FOREMAN" Rate:

labor foreman, asphalt foreman, drill foreman, pipe foreman, grade foreman, finisher foreman, concrete foreman

Effective Dates:

03/01/2023

Rate	Fringe	Total
52.80	35.73	88.53

CLASSIFICATIONS:

"GENERAL FOREMAN" Rate

HEAVY & GENERAL LABORERS - SOUTH **Rates Expiration Date :**

THESE RATES APPLY IN THE FOLLOWING COUNTIES ONLY:

Atlantic, Burlington, Camden, Cape May, Cumberland, Gloucester, Mercer, Ocean, Salem

{For apprentice rates refer to "Laborer - Heavy & General" apprentice rates in any county rate package}

The regular workday consists of 8 hours, starting at 7:00 AM or 8:00 AM.

SHIFT DIFFERENTIALS:

- Shifts must start at 3:00 PM, 4:00 PM, 12:00 AM, or 1:00 AM, to be considered shift work, except when the project owner mandates special hours of work in the job specifications, in which case those hours may be considered shift work.
- When such hours are mandated by the project owner, a shift that begins before midnight on Friday and ends on Saturday morning, or that begins at or after 8:00 PM on Sunday and ends on Monday morning may be paid at the shift differential rate.
- Shifts shall receive an additional \$3.00 per hour.

FOR TIDE WORK (pertains to tidal water): A contractor can start their job according to tide schedules (tide schedules are the various high and low tides related to this work) providing the eight (8) hour shift is completed between the hours of 5:00 AM and 6:30 PM.

OVERTIME:

- Hours in excess of 8 per day, Monday through Friday, or outside of the regular workday that are not shift work, and all hours on Saturdays, shall be paid at time and one-half the hourly rate. All hours on Sundays and holidays shall be paid at double the hourly rate.
- Four 10-hour days may be worked, Monday through Thursday, at straight time, with Friday used as a make-up day for a day lost to inclement weather. If Friday is not a make-up day, all hours on Friday shall be paid at time and one-half the hourly rate.

RECOGNIZED HOLIDAYS: New Year's Day, Presidents' Day, Memorial Day, July 4th, Labor Day, Presidential Election Day, Veterans' Day, Thanksgiving Day, Christmas Day. Sunday holidays observed the following Monday. Veterans Day may be substituted for the day after Thanksgiving. However, in the trading of Veterans Day for the day after Thanksgiving, if overtime is worked on Veterans Day, it shall be paid at double the hourly rate.

Hazardous Waste Work:

- where Level A, B, or C protection is required: + \$5.00/hr
- other Hazardous Waste site: + \$1.00/hr

Effective Dates:

03/01/2023

Rate	Fringe	Total
47.55	35.73	83.28

CLASSIFICATIONS:

basic, landscape, or railroad track laborer; utility meter installer; flagman; salamander tender; pitman; dumpman; rakers or tampers on cold patch work; wrappers or coaters of pipe; waterproofers; tree cutter, timberman

Effective Dates:

03/01/2023

Rate	Fringe	Total
47.55	35.73	83.28

CLASSIFICATIONS:

wagon drill or drill master helper; powder carrier; magazine tender; signal man

HEAVY & GENERAL LABORERS - SOUTH **Rates Expiration Date :**

Effective Dates:

03/01/2023

Rate	Fringe	Total
48.25	35.73	83.98

CLASSIFICATIONS:

pipe layer; laser man; conduit or duct line layer; operator of jack hammer, chipping hammer, pavement breaker, concrete cutter, asphalt cutter, sheet hammer, or walk-behind saw cutter; sandblaster; acetylene cutting or burning

Effective Dates:

03/01/2023

Rate	Fringe	Total
48.25	35.73	83.98

CLASSIFICATIONS:

wagon or directional drill operator; drill master

Effective Dates:

03/01/2023

Rate	Fringe	Total
52.05	35.73	87.78

CLASSIFICATIONS:

blaster

Effective Dates:

03/01/2023

Rate	Fringe	Total
51.80	35.73	87.53

CLASSIFICATIONS:

labor foreman, drill foreman, pipe foreman, grade foreman, finisher foreman, concrete foreman

Effective Dates:

03/01/2023

Rate	Fringe	Total
52.80	35.73	88.53

CLASSIFICATIONS:

general foreman

TERRITORY
ENTIRE STATE

NEW JERSEY DEPARTMENT OF LABOR AND WORKFORCE DEVELOPMENT
PREVAILING WAGE RATE DETERMINATION

HEAVY & GENERAL LABORERS - SOUTH Rates Expiration Date :

Effective Dates:

03/01/2023

Rate	Fringe	Total
48.50	35.73	84.23

CLASSIFICATIONS:

concrete finisher; setter of brick or stone pavers; stone cutter; form setter; manhole, catch basin, or inlet builder; rammer; gunite nozzle man

PIPELINE - MAINLINE TRANSMISSION Rates Expiration Date :

These rates apply to the following: welding on Transportation Mainline pipe lines (cross-country pipe lines, or any segments thereof, transporting coal, gas, oil, water or other transportable materials, vapors or liquids, including portions of such pipe lines within private property boundaries up to the final metering station or connection - the point where a valve, consumer connection, or town border station divides mainline transmission lines or higher pressure lateral and branch lines from lower pressure distribution systems).

PER DIEM PAYMENT:

In addition to the total wage rate paid for each craft, the following per diem (per day) amounts must also be paid - Pipeline Journeyman: \$80.50; Pipeline Journeyman Welder: \$140.50; and Pipeline Helper: \$64.50. Note: in order to receive the per diem payment an employee must work a minimum of 8 hours in a 24 hour period.

NOTES:

- Journeymen employed as "stringer bead" welders and journeymen who are regularly employed as "hot-pass" welders shall receive \$1.00 per hour more than other journeymen.
- Welders running "stringer bead" or "hot-pass" on "cutouts" or "tie-ins" on a production basis shall be paid \$1.00 per hour above the journeymen rate.
- Whenever a welder helper is employed using a power buffer or power grinder immediately behind the stringer bead and/or hot-pass welders, and the pipe gang is set on a production basis, the helper shall be paid \$2.00 per hour above the helper rate.
- If back welding is performed inside a pipe under either or both of the following conditions, the welder engaged in the welding will receive \$3.00 per hour above the regular rate for the job only for the days on which such back welding is performed:
 - The employer elects, as a regular procedure, to back weld each line-up. This condition is not intended to apply to occasional back welding performed by the pipe gang to repair a bead, to rectify a "high-lo" condition or wall thickness, etc.
 - A welder is required to back weld a completed weld behind the firing line.
- If the welder helper is required to go inside the pipe for the purpose of brushing, buffing and grinding the weld, they shall receive a wage rate \$1.00 per hour above the regular helper rate for the days involved.
- Welders working on "hot work" shall be paid \$2.00 per hour above the regular rate for each day engaged in such work. "Hot work" is defined as work on lines in service where there is the danger of fire or explosion.

The regular workday shall be 8 hours, between 8:00 AM and 4:30 PM.

OVERTIME:

Hours in excess of 8 per day, and all hours on Sundays shall be paid at time and one-half the regular rate, inclusive of benefits. All hours on holidays shall be paid at double the regular rate, inclusive of benefits.

RECOGNIZED HOLIDAYS: New Year's Day, July 4th, Labor Day, Thanksgiving Day, and Christmas Day. Sunday holidays observed the following Monday.

Effective Dates:

07/01/2023

Rate	Fringe	Total
57.34	34.70	92.04

CLASSIFICATIONS:

Pipeline Journeyman Welder

TERRITORY
ENTIRE STATE

NEW JERSEY DEPARTMENT OF LABOR AND WORKFORCE DEVELOPMENT
PREVAILING WAGE RATE DETERMINATION

PIPELINE - MAINLINE TRANSMISSION Rates Expiration Date :

Effective Dates:

07/01/2023

Rate	Fringe	Total
57.34	34.70	92.04

CLASSIFICATIONS:

Pipeline Journeyman

Effective Dates:

07/01/2023

Rate	Fringe	Total
33.84	24.32	58.16

CLASSIFICATIONS:

Pipeline Helper

PIPELINE - GAS DISTRIBUTION **Rates Expiration Date :**

These rates apply to the following: welding on gas line distribution systems (that portion of the gas distribution system placed in streets, roads, subways, tunnels, viaducts, highways and easements which serves the users of gas).

SHIFT DIFFERENTIALS:

An "irregular" shift may start any time from 5:00 PM to 12:00 AM, Monday through Friday, and shall receive an additional 15% of the regular rate per hour, inclusive of benefits.

OVERTIME:

Hours in excess of forty per week, and all hours on Saturdays shall be paid at time and one-half the regular rate, inclusive of benefits. All hours on Sundays and holidays shall be paid at double the regular rate, inclusive of benefits.

RECOGNIZED HOLIDAYS: New Year's Day, Memorial Day, July 4th, Labor Day, Thanksgiving Day, and Christmas Day. Sunday holidays observed the following Monday.

Effective Dates:

11/02/2022

Rate	Fringe	Total
63.90	29.83	93.73

CLASSIFICATIONS:

Pipeline Journeyman Welder

Effective Dates:

11/02/2022

Rate	Fringe	Total
63.90	29.83	93.73

CLASSIFICATIONS:

Pipeline Journeyman

Effective Dates:

11/02/2022

Rate	Fringe	Total
40.53	22.15	62.68

CLASSIFICATIONS:

Pipeline Helper

ASPHALT LABORERS- NORTH Rates Expiration Date :

THESE RATES APPLY IN THE FOLLOWING COUNTIES ONLY:

Bergen, Essex, Hudson, Hunterdon, Middlesex, Monmouth, Morris, Passaic, Somerset, Sussex, Union, Warren

{For apprentice rates refer to "Laborer - Heavy & General" apprentice rates in any county rate package}

The regular workday consists of 8 hours, starting at 7:00 AM or 8:00 AM.

SHIFT DIFFERENTIALS:

- Shifts must start at 3:00 PM, 4:00 PM, 12:00 AM, or 1:00 AM, to be considered shift work, except when the project owner mandates special hours of work in the job specifications, in which case those hours may be considered shift work.
- When such hours are mandated by the project owner, a shift that begins before midnight on Friday and ends on Saturday morning, or that begins at or after 8:00 PM on Sunday and ends on Monday morning may be paid at the shift differential rate.
- Shifts shall receive an additional \$3.00 per hour.

OVERTIME:

- Hours in excess of 8 per day, Monday through Friday, or outside of the regular workday that are not shift work, and all hours on Saturdays, shall be paid at time and one-half the hourly rate. All hours on Sundays and holidays shall be paid at double the hourly rate.
- Four 10-hour days may be worked, Monday through Thursday, at straight time, with Friday used as a make-up day for a day lost to inclement weather. If Friday is not a make-up day, all hours on Friday shall be paid at time and one-half the hourly rate.

RECOGNIZED HOLIDAYS: New Year's Day, Presidents' Day, Memorial Day, July 4th, Labor Day, Presidential Election Day, Veterans' Day, Thanksgiving Day, Christmas Day. Sunday holidays observed the following Monday. Veterans Day may be substituted for the day after Thanksgiving. However, in the trading of Veterans Day for the day after Thanksgiving, if overtime is worked on Veterans Day, it shall be paid at double the hourly rate.

Hazardous Waste Work:

- where Level A, B, or C protection is required: + \$5.00/hr
- other Hazardous Waste site: + \$1.00/hr

FOR TIDE WORK (pertains to tidal water): A contractor can start their job according to tide schedules (tide schedules are the various high and low tides related to this work) providing the eight (8) hour shift is completed between the hours of 5:00 AM and 6:30 PM.

Effective Dates:

03/01/2023

Rate	Fringe	Total
51.80	35.73	87.53

CLASSIFICATIONS:

Asphalt Foreman

Effective Dates:

03/01/2023

Rate	Fringe	Total
48.50	35.73	84.23

CLASSIFICATIONS:

Asphalt Screedman

Effective Dates:

03/01/2023

Rate	Fringe	Total
48.25	35.73	83.98

CLASSIFICATIONS:

Asphalt Raker or Lute Man

TERRITORY
ENTIRE STATE

NEW JERSEY DEPARTMENT OF LABOR AND WORKFORCE DEVELOPMENT
PREVAILING WAGE RATE DETERMINATION

ASPHALT LABORERS- NORTH Rates Expiration Date :

Effective Dates:

03/01/2023

Rate	Fringe	Total
47.55	35.73	83.28

CLASSIFICATIONS:

Asphalt Laborer

ELECTRICIAN- UTILITY WORK (NORTH) **Rates Expiration Date :**

Electrician-Utility Work (North)

(For apprentice rates refer to Electrician-Utility Work (North) in any county rate package).

These rates apply to work contracted for by the following utility companies:

Public Service Electric & Gas Co. of NJ, GPU Energy, Borough of Madison Electric Department, Sussex Rural Electric Cooperative, Rockland Utilities, and Butler Municipal Electric Co.

These rates do not apply to work on substations or switching stations.

For Utility work contracted for by a utility company other than those listed above or those listed under "Electrician-Utility Work (South), see the "Outside Commercial Rates" for the county in which the jobsite is located.

* FOR OUTSIDE COMMERCIAL RATES PLEASE SEE COUNTY RATES

The regular workday is 8 hours, between 6:00 AM and 6:00 PM.

FOR EMERGENCY WORK ONLY: (emergency work is defined as work caused by storm, catastrophe, act of god, and circumstances beyond the control of the employer)-all hours of work shall be paid at double the hourly rate.

SHIFT DIFFERENTIALS:

Shift work must run for a minimum of 5 consecutive workdays.

2nd shift (between the hours of 4:30 PM and 1:00 AM): 8 hours of work + 17.3% of the regular rate, inclusive of benefits.

3rd shift (between the hours of 12:30 AM and 9:00 AM): 8 hours of work + 31.4% of the regular rate per hour, inclusive of benefits.

OVERTIME:

Hours in excess of 8 per day, or before or after the regular workday Monday through Friday, that is not shift work, and all hours on Saturday shall be paid at time and one-half the regular rate, inclusive of benefits. All hours on Sundays and holidays shall be paid at double the hourly rate, inclusive of benefits.

Four 10-hour days may worked, at straight time, between 6:00 AM and 6:00 PM, Monday through Thursday.

RECOGNIZED HOLIDAYS:

New Year's Day, Presidents' Day, Memorial Day, July 4th, Labor Day, Presidential Election Day, Veterans' Day, Thanksgiving Day and Christmas Day, or day on which they are legally observed.

Effective Dates:

	12/04/2022		12/03/2023	12/01/2024
Rate	Fringe	Total	Total	Total
61.07	42.13	103.20	106.36	109.56

CLASSIFICATIONS:

Chief Lineman

Effective Dates:

	12/04/2022		12/03/2023	12/01/2024
Rate	Fringe	Total	Total	Total
57.61	39.75	97.36	100.35	103.36

CLASSIFICATIONS:

Journeyman Lineman

ELECTRICIAN- UTILITY WORK (NORTH) **Rates Expiration Date :**

Effective Dates:

12/04/2022			12/03/2023	12/01/2024
Rate	Fringe	Total	Total	Total
57.61	39.75	97.36	100.35	103.36

CLASSIFICATIONS:

Special License Operator

Effective Dates:

12/04/2022			12/03/2023	12/01/2024
Rate	Fringe	Total	Total	Total
57.03	39.35	96.38	99.35	102.32

CLASSIFICATIONS:

Transit Man

Effective Dates:

12/04/2022			12/03/2023	12/01/2024
Rate	Fringe	Total	Total	Total
55.31	38.16	93.47	96.33	99.21

CLASSIFICATIONS:

Line Equipment Operator

Effective Dates:

12/04/2022			12/03/2023	12/01/2024
Rate	Fringe	Total	Total	Total
48.39	33.38	81.77	84.29	86.81

CLASSIFICATIONS:

Dynamite Man

Effective Dates:

12/04/2022			12/03/2023	12/01/2024
Rate	Fringe	Total	Total	Total
72.01	49.68	121.69	125.44	129.20

CLASSIFICATIONS:

General Foreman

Effective Dates:

12/04/2022			12/03/2023	12/01/2024
Rate	Fringe	Total	Total	Total
66.25	45.71	111.96	115.41	118.85

CLASSIFICATIONS:

Assistant General Foreman

ELECTRICIAN- UTILITY WORK (NORTH) **Rates Expiration Date :**

Effective Dates:

	12/04/2022		12/03/2023	12/01/2024
Rate	Fringe	Total	Total	Total
64.52	44.51	109.03	112.40	115.76

CLASSIFICATIONS:

Line Foreman

Effective Dates:

	12/04/2022		12/03/2023	12/01/2024
Rate	Fringe	Total	Total	Total
46.66	32.19	78.85	81.28	83.72

CLASSIFICATIONS:

Street Light Mechanical Leader

Effective Dates:

	12/04/2022		12/03/2023	12/01/2024
Rate	Fringe	Total	Total	Total
44.36	30.60	74.96	77.26	79.58

CLASSIFICATIONS:

Groundman Winch Operator

Effective Dates:

	12/04/2022		12/03/2023	12/01/2024
Rate	Fringe	Total	Total	Total
44.36	30.60	74.96	77.26	79.58

CLASSIFICATIONS:

Groundman Truck Operator

Effective Dates:

	12/04/2022		12/03/2023	12/01/2024
Rate	Fringe	Total	Total	Total
43.78	30.20	73.98	76.26	78.55

CLASSIFICATIONS:

Street Light Mechanic

Effective Dates:

	12/04/2022		12/03/2023	12/01/2024
Rate	Fringe	Total	Total	Total
43.78	30.20	73.98	76.26	78.55

CLASSIFICATIONS:

Line Equipment Mechanic

TERRITORY
ENTIRE STATE

NEW JERSEY DEPARTMENT OF LABOR AND WORKFORCE DEVELOPMENT
PREVAILING WAGE RATE DETERMINATION

ELECTRICIAN- UTILITY WORK (NORTH) **Rates Expiration Date :**

Effective Dates:

12/04/2022			12/03/2023	12/01/2024
Rate	Fringe	Total	Total	Total
37.45	25.84	63.29	65.23	67.17

CLASSIFICATIONS:

Groundman 2nd Year

Effective Dates:

12/04/2022			12/03/2023	12/01/2024
Rate	Fringe	Total	Total	Total
34.57	23.85	58.42	60.21	62.02

CLASSIFICATIONS:

Groundman 1st Year

Effective Dates:

12/04/2022			12/03/2023	12/01/2024
Rate	Fringe	Total	Total	Total
57.03	39.35	96.38	99.35	102.32

CLASSIFICATIONS:

Line Equipment Foreman

ELECTRICIAN- UTILITY WORK (SOUTH) **Rates Expiration Date :**

Electrician-Utility Work (South)

(For apprentice rates refer to Electrician-Utility Work (South) in any county rate package).

These rates apply to work contracted for by the following utility company:

Atlantic City Electric.

These rates do not apply to work on substations or switching stations.

For utility work contracted for by a utility company other than the one listed above or those listed under "Electrician-Utility Work (North), see the "Outside Commercial Rates" for the county in which the jobsite is located.

* FOR OUTSIDE COMMERCIAL RATES PLEASE SEE COUNTY RATES

The regular workday is 8 hours, between 7:00 AM and 4:30 PM.

FOR EMERGENCY WORK ONLY: (emergency work is defined as work caused by storm, catastrophe, act of god, and circumstances beyond the control of the employer)- all hours of work shall be paid at double the hourly rate.

SHIFT DIFFERENTIALS:

Shift work must run for a minimum of 5 consecutive workdays.

When two (2) or three (3) shifts are worked the following shall apply:

1st shift (between the hours of 8:00 AM and 4:30 PM)

2nd shift (between the hours of 4:30 PM and 12:30 AM): 8 hours of work + 10% of the regular rate of pay for 7.5 hours worked.

3rd shift (between the hours of 12:30 AM and 8:00 AM): 8 hours of work + 15% of the regular rate of pay for 7 hours worked.

OVERTIME:

Hours in excess of 8 per day, or before or after the regular workday Monday through Friday, that is not shift work, and all hours on Saturday shall be paid at time and one-half the regular rate. All hours on Sundays and Holidays shall be paid double the hourly rate.

Four 10-hour days may be worked, at straight time, between 6:00 AM and 6:00 PM, Monday through Thursday with Friday used as a make-up day.

RECOGNIZED HOLIDAYS:

New Year's Day, Memorial Day, July 4th, Labor Day, Veterans' Day, Thanksgiving Day and Christmas Day or on days celebrated.

WORKING RULES:

There shall be a Foreman in charge of each work crew. No crews are to exceed twelve (12) men, including Foremen.

There shall be a General Foreman designated for transmission work when three (3) or more crews are on the same job and for distribution work where there are more than twenty (20) employees on site.

A small job crew shall consist of five (5) or less employees, one (1) of the Journeyman Linemen in the crew shall be designated as a Small Job Foreman.

Work performed from ladders and/or mechanical lift equipment shall be the work of Linemen and/or Apprentices.

On new construction, fitting and framing poles, towers or structures may be done by Journeymen and/or Apprentices. Groundmen may assist, but may not perform any work which would be performed by Linemen if assembled in the air.

There shall be a Journeyman Lineman in each pole setting, erection, grounding, wire and cable-pulling crew of more than three (3) men.

Effective Dates:

12/04/2022

Rate	Fringe	Total
67.52	55.11	122.63

CLASSIFICATIONS:

General Foreman

ELECTRICIAN- UTILITY WORK (SOUTH) **Rates Expiration Date :**

Effective Dates:

12/04/2022

Rate	Fringe	Total
60.14	50.62	110.76

CLASSIFICATIONS:

Foreman

Effective Dates:

12/04/2022

Rate	Fringe	Total
56.97	48.72	105.69

CLASSIFICATIONS:

Small Job Foreman

Effective Dates:

12/04/2022

Rate	Fringe	Total
52.75	46.18	98.93

CLASSIFICATIONS:

Heavy Equipment Operator

Effective Dates:

12/04/2022

Rate	Fringe	Total
52.75	46.18	98.93

CLASSIFICATIONS:

Cable Splicer

Effective Dates:

12/04/2022

Rate	Fringe	Total
52.75	46.18	98.93

CLASSIFICATIONS:

Journeyman Lineman

Effective Dates:

12/04/2022

Rate	Fringe	Total
52.75	46.18	98.93

CLASSIFICATIONS:

Journeyman Welder

ELECTRICIAN- UTILITY WORK (SOUTH) **Rates Expiration Date :**

Effective Dates:

12/04/2022

Rate	Fringe	Total
52.75	46.18	98.93

CLASSIFICATIONS:

Journeyman Painter

Effective Dates:

12/04/2022

Rate	Fringe	Total
42.20	39.80	82.00

CLASSIFICATIONS:

Light Equipment Operator

Effective Dates:

12/04/2022

Rate	Fringe	Total
36.93	36.60	73.53

CLASSIFICATIONS:

Groundman Truck Driver

Effective Dates:

12/04/2022

Rate	Fringe	Total
34.29	35.02	69.31

CLASSIFICATIONS:

Groundman 3rd Year

Effective Dates:

12/04/2022

Rate	Fringe	Total
31.65	33.42	65.07

CLASSIFICATIONS:

Groundman 2nd Year

Effective Dates:

12/04/2022

Rate	Fringe	Total
29.01	31.83	60.84

CLASSIFICATIONS:

Groundman 1st Year

TERRITORY
ENTIRE STATE

NEW JERSEY DEPARTMENT OF LABOR AND WORKFORCE DEVELOPMENT
PREVAILING WAGE RATE DETERMINATION

ELECTRICIAN- UTILITY WORK (SOUTH) Rates Expiration Date :

Effective Dates:

12/04/2022

Rate	Fringe	Total
23.21	28.31	51.52

CLASSIFICATIONS:

Flagman

HEAVY & GENERAL LABORERS- NEW TRANS HUDSON TUNNELS **Rates Expiration Date :**

****THESE RATES APPLY TO CONSTRUCTION ON NEW TRANS HUDSON TUNNELS ONLY****

{For apprentice rates refer to "Laborer - Heavy & General" apprentice rates in any county rate package}

The regular workday consists of 8 hours, starting at 7:00 AM or 8:00 AM.

SHIFT DIFFERENTIALS:

- Shifts must start at 3:00 PM, 4:00 PM, 12:00 AM, or 1:00 AM, to be considered shift work, except when the project owner mandates special hours of work in the job specifications, in which case those hours may be considered shift work.
- When such hours are mandated by the project owner, a shift that begins before midnight on Friday and ends on Saturday morning, or that begins at or after 8:00 PM on Sunday and ends on Monday morning may be paid at the shift differential rate.
- Shifts shall receive an additional \$3.00 per hour.

OVERTIME:

- Hours in excess of 8 per day, Monday through Friday, or outside of the regular workday that are not shift work, and all hours on Saturdays, shall be paid at time and one-half the hourly rate. All hours on Sundays and holidays shall be paid at double the hourly rate.
- Four 10-hour days may be worked, Monday through Thursday, at straight time, with Friday used as a make-up day for a day lost to inclement weather. If Friday is not a make-up day, all hours on Friday shall be paid at time and one-half the hourly rate.

RECOGNIZED HOLIDAYS: New Year's Day, Presidents' Day, Memorial Day, July 4th, Labor Day, Presidential Election Day, Veterans' Day, Thanksgiving Day, Christmas Day. Sunday holidays observed the following Monday. Veterans Day may be substituted for the day after Thanksgiving. However, in the trading of Veterans Day for the day after Thanksgiving, if overtime is worked on Veterans Day, it shall be paid at double the hourly rate.

Hazardous Waste Work:

- where Level A, B, or C protection is required: + \$3.00/hr
- other Hazardous Waste site: + \$1.00/hr

Effective Dates:

03/01/2023

Rate	Fringe	Total
75.46	35.73	111.19

CLASSIFICATIONS:

Walking Boss & Superintendent

Effective Dates:

03/01/2023

Rate	Fringe	Total
75.01	35.73	110.74

CLASSIFICATIONS:

Heading Foreman, Shaft Foreman, Rod Foreman, Electrical Foreman, Rigging Foreman

HEAVY & GENERAL LABORERS- NEW TRANS HUDSON TUNNELS **Rates Expiration Date :**

Effective Dates:

03/01/2023

Rate	Fringe	Total
74.26	35.73	109.99

CLASSIFICATIONS:

Iron Foreman, Caulking Foreman, Form Foreman, Cement Finishing Foreman, Concrete Foreman, Track Foreman, Clean-up Foreman, Grout Foreman

Effective Dates:

03/01/2023

Rate	Fringe	Total
78.01	35.73	113.74

CLASSIFICATIONS:

Blaster

Effective Dates:

03/01/2023

Rate	Fringe	Total
73.43	35.73	109.16

CLASSIFICATIONS:

Top Labor Foreman

Effective Dates:

03/01/2023

Rate	Fringe	Total
72.91	35.73	108.64

CLASSIFICATIONS:

Skilled Men (including Caulker, Powder Carrier, all other skilled men)

Skilled Men (including Miner, Drill Runner, Iron Man, Conveyor Man, Maintenance Man, Safety Miner, Rigger, Block Layer, Cement Finisher, Rod Man)

Effective Dates:

03/01/2023

Rate	Fringe	Total
72.68	35.73	108.41

CLASSIFICATIONS:

Semi-Skilled Men (including Bell or Signal Man top or bottom, Form Worker & Mover, Concrete Worker, Shaft Man, Tunnel Laborer, Caulker's Helper, all other semi-skilled)

Semi-Skilled Men (including Miner's Helper, Chuck Tender, Track Man, Nipper, Brake Man, Derail Man, Cable Man, Hose Man, Gravel Man, Form Man)

TERRITORY
ENTIRE STATE

NEW JERSEY DEPARTMENT OF LABOR AND WORKFORCE DEVELOPMENT
PREVAILING WAGE RATE DETERMINATION

HEAVY & GENERAL LABORERS- NEW TRANS HUDSON TUNNELS Rates Expiration Date :

Effective Dates:

03/01/2023

Rate	Fringe	Total
72.08	35.73	107.81

CLASSIFICATIONS:

All others (including Powder Watchman, Change House Attendant, Top Laborer, Job Steward)

NJDOT SPECIAL PROVISIONS

Table of Contents

WAGE RATES.....	3
GENERAL.....	3
SPECIAL PROVISIONS.....	4
AUTHORIZATION OF CONTRACT.....	4
SPECIFICATIONS TO BE USED.....	4
DIVISION 100 – GENERAL PROVISIONS	5
DIVISION 150 – CONTRACT REQUIREMENTS	6
SECTION 152 – INSURANCE	6
SECTION 153 – PROGRESS SCHEDULE.....	6
SECTION 154 – MOBILIZATION.....	6
SECTION 157 – CONSTRUCTION LAYOUT AND MONUMENTS	10
SECTION 158 – SOIL EROSION AND SEDIMENT CONTROL AND WATER QUALITY CONTROL.....	10
SECTION 159 – TRAFFIC CONTROL	13
SECTION 161 – FINAL CLEANUP.....	14
DIVISION 200 – EARTHWORK.....	16
SECTION 201 – CLEARING SITE.....	16
SECTION 202 – EXCAVATION	17
DIVISION 600 – MISCELLANEOUS CONSTRUCTION	19
SECTION 613 – HYDRO RAKING	19
DIVISION 800 – LANDSCAPING	23
SECTION 802 – TRIMMING AND REMOVING TREES.....	23
SECTION 804 – TOPSOILING SPREADING.....	23
SECTION 806 – FERTILIZING AND SEEDING.....	24
SECTION 809 – MULCHING	25

The Contractor is made aware that regular text denotes the Supplementary changes made by the NJDOT. Paragraphs and Pay Items in bold text denote revisions and additions made by the Engineer to be project specific.

WAGE RATES

The contractor shall pay the minimum wage rates determined by the New Jersey Department of Labor.

State wage rates may be obtained from the New Jersey Department of Labor (Telephone: 609-292-2259) or by accessing the Department of Labor's web site at http://lwd.dol.state.nj.us/labor/wagehour/wagerate/prevaling_wage_determinations.html. The State wage rates in effect at the time of award will be made a part of this Contract, pursuant to Chapter 150, Laws of 1963 (NJSA 34:11-56.25, *et seq.*).

In the event it is found that any employee of the contractor or any subcontractor covered by the contract, has been paid a rate of wages less than the minimum wage required to be paid by the contract, the contracting agency may terminate the contractor's or **subcontractor's** right to proceed with the work, or such part of the work, as to which there has been a failure to pay required wages and to prosecute the work to completion or otherwise. The contractor and his sureties shall be liable to the contracting agency for any excess costs occasioned thereby.

GENERAL

All awards shall be made subject to the approval of the New Jersey Department of Transportation. No construction shall start before approval of said award by the New Jersey Department of Transportation. Prior to the start of construction, the contractor must submit a Material Questionnaire (SA-11) listing all sources of materials. Any materials used on the project from a non-approved New Jersey Department of Transportation source will be considered non-participating. The contractor is also notified that the District Office, Division of Local Aid and Economic Development must be notified of the construction commencement date at least five (5) calendar days prior to the start of construction.

Award of contract and subletting will not be permitted to, materials will not be permitted from, and use of equipment will not be permitted that is owned and/or operated by, firms and individuals included in the report of suspensions, debarments and disqualifications of firms and individuals as maintained by the Department of the Treasury, General Services Administration, CN-039, Trenton NJ 08625 (609-633-3990).

Payment for a pay item in the proposal includes all the compensation that will be made for the work of that item as described in the contract documents unless the "basis of payment" clause provides that certain work essential to that item will be paid for under another pay item.

Whenever any section, subsection, subpart or subheading is amended by such terms as changed to, deleted or added it is construed to mean that it amends that section, subsection, subpart or subheading of the 2019 Standard Specifications unless otherwise noted.

Whenever reference to page number is made, it is construed to refer to the 2019 Standard Specifications unless otherwise noted.

Henceforth in this supplementary specification whenever reference to the State, Commissioner, Department, Engineer or Inspector is made, it is construed to mean the particular municipality or county executing this contract.

Whenever reference to Title 27 is made, it is construed to mean Title 40.

SPECIAL PROVISIONS

AUTHORIZATION OF CONTRACT

The Contract is authorized by the provisions of Title 27 of the Revised Statutes of New Jersey and supplements thereto, and Title 23 of the United States Code - Highways.

SPECIFICATIONS TO BE USED

The 2019 Standard Specifications for Road and Bridge Construction, of the New Jersey Department of Transportation as amended herein will govern the construction of this Project and the execution of the Contract.

These Special Provisions consist of the following:

Pages SP1 to SP25 inclusive.

State wage rates may be obtained from the New Jersey Department of Labor & Workforce Development (Telephone: 609-292-2259) or by accessing the Department of Labor & Workforce Development's web site at http://wd.dol.state.nj.us/labor/wagehour/wagehour_index.html The State wage rates in effect at the time of award are part of this Contract, pursuant to Chapter 150, Laws of 1963 (NJSA 34:11-56.25, et seq.).

If an employee of the Contractor or subcontractor has been paid a rate of wages less than the prevailing wage, the Department may suspend the Work, and declare the Contractor in default.

DIVISION 100 – GENERAL PROVISIONS

IN CASE OF DISCREPANCY BETWEEN THE NJDOT STANDARD SPECIFICATIONS FOR ROAD AND BRIDGE CONSTRUCTION, 2019 U.S. CUSTOMARY ENGLISH UNITS AND THE INSTRUCTION TO BIDDERS, BID FORM(S), AGREEMENT, AND GENERAL CONDITIONS OF THIS CONTRACT, THE INSTRUCTION TO BIDDERS, BID FORM(S), AGREEMENT AND GENERAL CONDITIONS OF THIS CONTRACT SHALL GOVERN.

SECTION 101 - GENERAL INFORMATION

THIS SECTION IS NOT APPLICABLE TO THIS CONTRACT

SECTION 102 - BIDDING REQUIREMENTS AND CONDITIONS

THIS SECTION IS NOT APPLICABLE TO THIS CONTRACT

SECTION 103 - AWARD AND EXECUTION OF CONTRACT

THIS SECTION IS NOT APPLICABLE TO THIS CONTRACT

SECTION 104 - SCOPE OF WORK

THIS SECTION IS NOT APPLICABLE TO THIS CONTRACT

SECTION 105 - CONTROL OF WORK

THIS SECTION IS NOT APPLICABLE TO THIS CONTRACT

SECTION 106 - CONTROL OF MATERIAL

THIS SECTION IS NOT APPLICABLE TO THIS CONTRACT

SECTION 107 - LEGAL RELATIONS AND RESPONSIBILITY TO PUBLIC

THIS SECTION IS NOT APPLICABLE TO THIS CONTRACT

SECTION 108 - PROSECUTION AND PROGRESS

THIS SECTION IS NOT APPLICABLE TO THIS CONTRACT

SECTION 109 - MEASUREMENT AND PAYMENT

THIS SECTION IS NOT APPLICABLE TO THIS CONTRACT

DIVISION 150 – CONTRACT REQUIREMENTS

IN CASE OF DISCREPANCY BETWEEN THE NJDOT STANDARD SPECIFICATIONS FOR ROAD AND BRIDGE CONSTRUCTION, 2019 U.S. CUSTOMARY ENGLISH UNITS AND THE INSTRUCTION TO BIDDERS. BID FORM(S), AGREEMENT, AND GENERAL CONDITIONS OF THIS CONTRACT, THE INSTRUCTION TO BIDDERS, BID FORM(S), AGREEMENT AND GENERAL CONDITIONS OF THIS CONTRACT SHALL GOVERN.

SECTION 152 – INSURANCE

THIS SECTION IS NOT APPLICABLE TO THIS CONTRACT

SECTION 153 – PROGRESS SCHEDULE

THIS SECTION IS NOT APPLICABLE TO THIS CONTRACT

SECTION 154 – MOBILIZATION

154.01 DESCRIPTION

THE FOLLOWING IS ADDED:

MOBILIZATION shall include the cost of initiating the Contract, and such portions of the following that are required for the Project: setting up the Contractor's general plant, offices, shops, storage areas, sanitary and other facilities as required; providing access to the project sites; obtaining necessary permits and licenses, and payment of fees; protecting existing utilities; lighting work areas; providing working drawings; sampling and testing of materials; providing required insurance and bonds.

This item shall consist of the performance of construction preparatory operations, including the movement of personnel, equipment, and materials to and from the project site, obtaining all necessary permits, performing required measurements and site clearing.

154.02 MATERIALS

THE FOLLOWING IS ADDED:

Materials shall include, but not be limited to, all items necessary to prevent public entry to the site of work. These items shall include: snow fence, lights, barricades, or other means necessary to prevent entry of the public to the site of work.

Any such equipment that is necessary to clean and prepare the site, including graders, shovels, picks, and mechanical sweepers. Mechanical sweepers shall be of the enclosed type and shall be provided with a suitable dust control apparatus. Sweepers which raise dust will not be acceptable.

154.02.1 BRIANT'S POND ACCESS ROAD, STAGING and TURN-AROUND AREAS

- A. As shown on BRIANT'S POND Construction Plan and to be coordinated in Field with Engineer.
- B. All work associated with clearing and grubbing of the staging and turn-around areas will be performed by others prior to Contractor's mobilization.

- C. All work associated with setting up the access road, staging and turn-around areas including cleaning, fencing, stabilization and protection shall not be paid separately and considered incidental to Mobilization/Demobilization.

154.03 PROCEDURE

THE FOLLOWING IS ADDED:

Prior to the start of work, it is the responsibility of the CONTRACTOR to notify the owners of the overhead and underground utilities that may be encountered during all construction operations.

Prior to any excavation, the CONTRACTOR shall have all utilities marked out. If applicable, the CONTRACTOR shall arrange for any necessary utility work and shall reschedule his operations appropriately.

The CONTRACTOR shall take care and caution to preserve and protect all existing pavements, curbs, landscape areas, sidewalk, private and public property along and adjacent to the lines of work. Any destruction to any of the above, beyond the limits of work, or caused by careless construction procedures shall be replaced by the CONTRACTOR at no additional cost to the OWNER.

The CONTRACTOR shall notify all property owners affected by the proposed work at least seventy-two (72) hours prior to the commencement of construction. This notification shall be done by door-hangers or letters and should indicate the anticipated starting and completion dates.

CONTRACTOR shall provide barricades to protect the public from injury from the CONTRACTOR's work. Barricades shall be placed so as to prevent unauthorized persons from entering the work area. Barricades shall consist of snow fence, lights or other means necessary to prevent entry to the work area.

154.03.3.1 COORDINATION

Contractor shall notify the Engineer fourteen (14) days prior to mobilization.

3.2 MOBILIZATION

Mobilization shall consist of preparatory work and operations necessary for the movement of personnel, equipment, supplies and incidentals to the project, including, but not limited to: installation of construction fence, pond access path widening to allow for hauling operations, rock/stone moving, etc.

Contractor shall mobilize equipment and materials necessary for the items of work to the site.

Contractor shall install a temporary chain link construction fence, minimum of six-feet (6') high, with an access gate as shown on the construction documents.

- A. The Contractor shall store equipment and materials only inside the gated construction area, as shown on the construction documents.
- B. The Contractor shall not store equipment and materials that are not to be used during the progress of work.

3.3 PERMITS

- A. The Contractor shall obtain all permits necessary to perform the work.
- B. The Contractor must submit to the Engineer copies of all required permits.

3.4 FIELD MEASUREMENT

- A. The Contractor shall field measure and inspect the entirety of the project scope.
- B. Every attempt to minimize the inconvenience of the park patrons shall be made.

3.5 PROTECTION OF EXISTING UTILITIES

- A. The Contractor shall become acquainted with the existence and location of all surface and subsurface structures and utilities within the project area. Contractor shall not damage any of those that are to remain and shall leave them accessible.
- B. All signage within the boundaries of the project shall be removed, protected, and reinstalled in kind or as directed by the Engineer prior to the completion of the project. The Contractor is responsible for documenting the items that have been temporarily removed.
- C. The Contractor shall flag, barricade or suitably protect existing utilities during hauling operations and equipment movement.
- D. Any damage to existing utilities by the Contractor during the on-going construction operation shall be immediately repaired with the least impact to the operational facility to operational standards at the contractor's expense. If the repairs are not immediately addressed by the contractor, the utility owner and/or the Owner will contract for the repair at the contractor's expense.

3.6 SITE MAINTENANCE

- A. The Contractor shall keep the Site and adjacent areas free from accumulations of aquatic material, waste materials and debris.

154.03.4.1 SUBMITTALS

DESCRIPTION OF REQUIREMENTS

This section specifies the general methods and requirements of submissions applicable to work-related submittals.

CONTRACTOR'S RESPONSIBILITIES

The Contractor shall review the site and work area prior to submission to determine and verify the following:

- (1) Field measurements,
- (2) Field construction criteria,
- (3) Conformance with the specifications.

Notify the Owner in writing, at the time of submittal, of any deviations in the submittals from the requirements of the contract documents.

No portion of the work requiring a working drawing shall be started prior to the approval or qualified approval of such item. On-site construction accomplished which does not conform to approved data shall be at the Contractor's risk. The Owner will not be liable for any expense or delay due to corrections or remedies required to accomplish conformity.

SUBMISSION REQUIREMENTS

Make submittals promptly in accordance with approved schedule and in such sequence as to cause no delay in the Work or in the work of any other Contractor.

Number of submittals required:

- | | | |
|-----|------------------------|----------------------|
| (1) | Construction Schedule: | Submit one (1) copy. |
| (2) | Product Data: | Submit one (1) copy. |

Submittals shall contain:

- (1) The date of submission and the dates of any previous submissions.
- (2) The project title and number.
- (3) Contractor identification.
- (4) The names of the Contractor.
- (5) Field dimensions, clearly identified as such.
- (6) Relation to adjacent or critical features of the Work or materials.
- (7) Identification of deviations from Contract Documents.
- (8) Identification of revisions of resubmittals.
- (9) An 8 inch x 3 inch blank space for Contractor and Engineer stamp.

RESUBMISSION REQUIREMENTS

Make any corrections or changes in the submittals required by the Engineer and resubmit until approved.

GENERAL PROCEDURES FOR SUBMITTALS

Coordination of Submittal Times: Prepare and transmit each submittal sufficiently in advance of performing the related work or other applicable activities, or within the time specified in the individual work sections of the Specifications, so that the installation will not be delayed by processing times including disapproval and resubmittal (if required), coordination with other submittals, testing, purchasing, fabricating, delivery and similar sequenced activities. No extension of time will be authorized because of the Contractor's failure to transmit submittals sufficiently in advance of the Work.

154.04 MEASUREMENT AND PAYMENT

Measurement and Payment will be made for Mobilization. Contractor is to perform work as required and include payment for this work in the lump sum price.

THE FOLLOWING IS ADDED TO THE PAY ITEMS:

Pay Item:
MOBILIZATION

Pay Item:
LUMP SUM

THE CONTRACTOR SHALL PROVIDE, AND REMOVE AT THE CONCLUSION OF THE WORK, A TEMPORARY SITE ENCLOSURE FENCE, 6' HIGH, AROUND THE WORK AREA.

THE TEMPORARY FENCE SHALL HAVE ONE 12' WIDE, 6' HIGH, VEHICLE GATE AND ONE 4' WIDE, 6' HIGH, PEDESTRIAN GATE. EXACT LOCATIONS OF THE GATES SHALL BE FIELD VERIFIED WITH THE COUNTY ENGINEER AND IS SCHEMATICALLY SHOWN ON THE PLANS. No separate payment shall be made for this material or labor, and shall be paid for through the lump sum price for MOBILIZATION.

SECTION 157 – CONSTRUCTION LAYOUT AND MONUMENTS

157.01 DESCRIPTION

THE FOLLOWING IS ADDED:

Construction layout shall be performed by a New Jersey Licensed Professional Land Surveyor.

Contractor shall be responsible for establishing and maintaining all lines and grades as required to complete the work described on the project plans and herein the project specifications.

Contractor shall protect, preserve and/or replace existing benchmarks, monuments, and other reference points, if any.

157.04 MEASUREMENT AND PAYMENT

THE ENTIRE SUBSECTION IS REPLACED BY THE FOLLOWING:

Construction Layout and Monuments will not be measured for payment. No separate payment will be made for construction layout and monuments. The contractor shall perform all work described in this section and include costs under the various pay items in the proposal.

**SECTION 158 – SOIL EROSION AND SEDIMENT CONTROL
AND WATER QUALITY CONTROL**

158.01 DESCRIPTION

- A. Install, supplement and maintain all soil erosion and sediment control (S.E.S.C.) measures as shown in the drawings and details.
- B. Comply with the construction, maintenance, inspection, cleaning, remedial and close-out measures per the Drawings and the latest editions of “The Standards for Soil Erosion and Sediment Control in New Jersey” and the “New Jersey Stormwater Best Management Practices Manual”.

- C. Depending on the Contractor's means and methods of construction, a Soil Erosion Control permit may be required from the Somerset-Union County Soil Conservation District (SCD). The Contractor is responsible for submitting the required plans and application to the SCD should land disturbance exceed 5,000 sf.
- D. Throughout the construction period, maintain the site in a standard of cleanliness.

158.03.02 SESC MEASURES

THE FOLLOWING IS ADDED:

Soil Erosion and Sediment Control measures (SESC measures) shall be provided and maintained in accordance with the standards for soil erosion and sediment control in New Jersey and also in accordance with the standards of the Somerset-Union Soil Conservation District.

The Contractor shall adhere to the approved soil erosion and sediment control plan and the soil erosion and sediment control details and notes. The soil erosion and sediment control plan and soil erosion and sediment control details and notes have been made a part of the project plans.

PRODUCTS

SOIL EROSION AND SEDIMENT CONTROL DEVICES

- A. As indicated on the Soil Erosion & Sediment Control Details on the drawings.

EXECUTION GENERAL

- A. All soil erosion and sediment control measures shall be in accordance with "Standards for Soil Erosion and Sediment Control in New Jersey" as amended (N.J.S.A. 4:24-42) and NJAC 2.90-1.1 et seq.
- B. Areas of land disturbance shall be held to a minimum. All grading and construction shall proceed in such a manner to prevent disturbed soils from being carried off the site.
- C. The Engineer and the Soil Conservation District Office, where applicable, shall be notified 48-hours prior to beginning any land disturbance.
- D. The notice to SCD for start of work shall include the person who will have responsibility for all control work and maintenance of control measures.
- E. During land disturbance activities and during construction, any additional control measures as deemed necessary to prevent erosion and control of sediment beyond those shown on the approved plans, shall be installed as directed by the Engineer or Soil Conservation Officer.
- F. The Contractor is responsible for the maintenance of all soil erosion control measures for the duration of the project.
- G. The Contractor is required to have a copy of the Soil Erosion and Sediment Control Plan at the construction site if a permit becomes necessary.

VEGETATIVE CONTROL MEASURE

- A. Existing trees, shrubs, and other ground cover are a buffer to soil erosion, and they shall be protected. During construction, the Contractor shall exercise great care to prevent damage to existing vegetation that might be caused by construction equipment. Construct barriers made of wood or steel to surround trees and other vegetation.

EROSION & SEDIMENT CONTROL DEVICES

A. Stabilized Construction Entrance

- i. At entrance/exit point to the construction site, provide a stabilized pad of aggregates for capturing mud or sediment that may be transported by vehicular traffic. Use stone size per ASTM-33, size #2 or #3 that is well compacted over the sub-grade to maintain the dimensions (width, length and depth) of the site entrance/exit. Build stabilized construction entrances having at a minimum six-inches (6") thick stone. Replace aggregates on an as-needed basis after rainfall events.

B. Silt Fence

- i. Perimeter of disturbed area shall be fenced-off using a geotextile fabric (filter cloth) similar to Mirafi 100X to minimize runoff velocity and limit damages caused by carried over sediment. Construction of silt fence shall conform to the following recommendations from the U.S Department of Agriculture:
 1. Woven wire fence (14½ gauge and max. 6" mesh spacing) shall be fastened securely to supporting posts using wire ties or staples. Posts shall be 36" long and driven into the ground at least 18".
 2. Sedimentation filtering fabric similar to Mirafi 100X (geotextile material) or an approved equal shall be fastened securely to woven wire fence with ties spaced every 24" at top and mid-section.
 3. When two (2) sections of the filtering fabric adjoin each other, they shall be overlapped by six inches (6") and folded.

C. Floating Turbidity Barrier

- i. Barrier material will be a Polyethylene Plastic sheet, 10 mil., or suitable alternate to fit existing conditions.
- ii. Weights will be at ten-foot (10') intervals along the entire length.
- iii. They shall be five pounds and extend twelve inches (12") below the bottom of the material.
- iv. Floats will be at five-foot (5') intervals; there will be two (2) floats at each location, one on either side of the material.
- v. Rope will be one quarter inch (1/4") nylon or manila.
- vi. Barrier will be set on a 50' radius from the point of discharge when discharging through a conduit. If the radius cannot be accommodated, barrier shall be placed in accordance with no. 7 below.
- vii. Barrier will extend parallel to the channel bank(s) for the full length of the work area for shoreline disturbances.
- viii. Barrier will extend across the entire channel when work is performed within the channel.

INSPECTION/REPAIR

- A. All erosion and sediment control measures will be checked for stability and operation by the Contractor following every runoff-producing rainfall but in no case less than once every week. Any needed repairs or maintenance will be done immediately to maintain all practices as designed.
- B. Maintenance to the silt fence shall be performed as soon as six-inches (6") of sediment have accumulated behind the fence fabric, and upon completion of the contract.

PROGRESS CLEANING

- A. Retain stored items in an orderly arrangement allowing maximum access, not impeding traffic or drainage, and providing required protection of materials.
- B. Do not allow accumulation of scrap, debris, waste material, and other items not required for construction of this Work.
- C. Completely remove all scrap, debris, and waste material from the job site on a daily basis.
- D. Provide adequate storage for all items awaiting removal from the job site, observing requirements for fire protection and protection of the environment.

158.04 MEASUREMENT AND PAYMENT

THE ENTIRE SUBSECTION IS REPLACED BY THE FOLLOWING:

Payment for all costs associated with Soil Erosion and Sediment Control and Water Quality Control Measures, as delineated on the plans and/or directed in the field by the Engineer and as required by the Somerset-Union Soil Conservation District, shall be measured for payment per the following items scheduled in the proposal.

It is the Contractors responsibility to notify the Somerset-Union Soil Conservation District in advance of disturbance in compliance with the Soil Conservation District (SCD) certification. The Contractor must copy Colliers Engineering & Design on the written notice to the SCD. Any costs or effort associated with SCD coordination and complying with the SCD certification should be included in the lump sum pay item "Soil Erosion and Sediment Control Measures".

THE FOLLOWING IS ADDED TO THE PAY ITEMS:

<u>Pay Item</u>	<u>Pay Unit:</u>
SOIL EROSION AND SEDIMENT CONTROL MEASURES	LUMP SUM

SECTION 159 – TRAFFIC CONTROL

159.01 DESCRIPTION

THE FOLLOWING IS ADDED AFTER THE FIRST SENTENCE:

The Contractor shall be responsible for the proper notification of residences, businesses, emergency services, busing services, and all other parties affected by the traffic control implemented on the project.

159.03 PROCEDURE

159.03.08 Traffic Direction

THE FOLLOWING IS ADDED TO SUBSECTION 159.03.08, **Traffic Direction**, SUBPARAGRAPH A. **Flagger:**

Training Flaggers shall be provided as required by the plans or, if no requirements are set forth in the plans, at each location where the Contractor’s operations result in two way traffic being maintained in a single lane, unless otherwise approved by the Owner or the Owner’s designee for Traffic Control.

**SUBSECTION 159.04 MEASUREMENT AND PAYMENT:
THE FOLLOWING IS ADDED:**

No separate payment will be made for Traffic Control items other than Traffic Flaggers. All costs for additional traffic control items shall be included in the prices bid for the various items in the Proposal including the creation of traffic control plans, traffic devices, safety fences, variable message signs, detouring, and all other work and material described in this section.

THE FOLLOWING IS ADDED TO THE PAY ITEMS:

Pay Item
TRAFFIC FLAGGER

Pay Unit:
LUMP SUM

SECTION 161 – FINAL CLEANUP

161.01 Description

THE FOLLOWING IS ADDED:

- A. This section addresses maintenance, preservation and restoration of the existing site features disturbed by activities associated with the construction of staging area, turn-around area and the construction of all pond access roads.
- B. The Contractor shall provide all necessary labor, materials, equipment, tools, supplies, plants, and equipment required.

THE FOLLOWING IS ADDED:

161.03.02 Restoration

Restoration not specifically called out with construction notes, such as grading, concrete and asphalt walks, lawn, fencing, railings, curb, pavement restoration, trench restoration, signage, survey monuments, benches, and any other items disturbed or removed during construction shall be restored and reset to their original condition and location. The Contractor shall reset items at their preconstruction locations, unless otherwise directed by the Engineer. Amenities which are anchored to the ground shall be reset utilizing footing sizes, anchoring methods and materials as specified by the product’s manufacturer or as approved by the Engineer. Survey monuments shall be reset by a professional land surveyor licensed in the state of New Jersey. All costs associated with site restoration shall be included in the various pay items scheduled in the proposal.

All fences, decorative landscaping, sign posts, street marking posts, receptacles, benches, and all other features that interfere with construction operations shall be removed and reset in order to perform work. Any material damaged during construction shall be replaced and installed in its original location. All costs associated with site restoration shall be included in the various pay items scheduled in the proposal.

MATERIALS

- A. All equipment for the satisfactory performance of the work shall be on the project and approved before the work will be permitted to begin.

EXECUTION

- A. At the completion of work, all areas disturbed by the Contractor's operations including but not limited to, the haul routes, vehicle parking areas, staging and turn-around area and incidentals shall be restored to substantially the same condition as existed prior to commencement of mobilization operations.
- B. Any stone placed for the construction of tracking pads and overlay of the access road, truck-turn and staging areas shall be removed and the area restored. Stone shall be legally disposed of offsite at a location of the contractors choosing.
- C. Areas disturbed for the placement of stockpiles, material storage, etc. shall be restored to the original ground cover.
- D. The Contractor shall remove construction fence and reinstall directional signs, which have been removed during Mobilization, at the original location.
- E. The Contractor shall restore all drainage ditches impacted along the access road, impacted during hydro-raking and hauling operations to the pre-existing conditions.
- F. Prior to completion of the work, all construction tools, equipment, machinery, surplus materials, scrap, debris, waste and aquatic material shall be removed from the job site.
- G. Unless otherwise specifically directed by the Engineer, broom clean paved areas on public roads adjacent to the site. Completely remove resultant debris.
- H. Schedule final cleaning as approved by the Engineer to enable the Owner to accept a completely clean Work.

161.04 MEASUREMENT AND PAYMENT

THE FOLLOWING IS ADDED TO THE PAY ITEMS:

Pay Item
SITE RESTORATION

Pay Unit:
LUMP SUM

DIVISION 200 – EARTHWORK

SECTION 201 – CLEARING SITE

201.03.01 Clearing Site

THE FOLLOWING IS ADDED:

Work for CLEARING SITE shall include but is not limited to sawcutting existing pavement, removal and disposal of concrete curb, sidewalk, driveways, bituminous pavement, pavers, pipe, inlets, sanitary sewer manholes, pipes & laterals, irrigation pipes, valves, electrical lines, fences, foundations, scoreboards, miscellaneous debris, soils, lawn, trees, tree stumps, landscaping, and any other work required to prepare the site for construction.

Before any clearing site work or mobilization is performed at the project site, the Contractor is to film a pre-construction video of the entire existing site. The video should be common DVD standard formatting found in any home. One copy should be given to the Owner and the other copy to the Engineer at the Pre-Construction Meeting or soon thereafter. The notice to proceed will not be issued until the ENGINEER has received the pre-con video. All private property shall be specifically included in the video. Special attention shall be taken to these items to ensure accurate restoration.

Unless otherwise directed, all excess material, including soil shall be removed from the site and disposed of by the CONTRACTOR. Should the OWNER wish to retain portions of the excess material, the CONTRACTOR shall deliver said material to the required location as determined by the OWNER at no additional cost to the OWNER.

CONTRACTOR shall also remove and dispose of all construction debris. All debris shall be cleaned up on a daily basis and placed in containers or trucks. The materials shall be removed from the site of work and disposed of by the CONTRACTOR at no additional cost to the OWNER.

The CONTRACTOR, during the construction of the project, shall not stockpile materials or his equipment on any private property; except in areas designated on the plans or as directed by the ENGINEER. Areas for stockpiling and staging shall be approved by the ENGINEER prior to the commencement of construction.

The Item CLEARING SITE shall include all carefully removing, storing, and reinstalling any materials as depicted within the “Demolition Plan” and as directed in the field by the Engineer.

201.04 Measurement and Payment

THE FOLLOWING IS ADDED TO THE END OF THE SECTION:

The CONTRACTOR is responsible to clear any and all items required to build the project as shown on the plans. The notes shown on the plans may not be all-inclusive. Any items not specifically shown for removal on the plans, but required to build the proposed improvements shall be removed and disposed of under CLEARING SITE.

The CONTRACTOR shall dispose any excess soil that is not used. The cost of loading, transport and tipping fee if shall be included in the item for CLEARING SITE. Cost shall include the cost of soil erosion and sediment control as deemed necessary for this operation.

THE FOLLOWING IS ADDED TO THE PAY ITEMS:

ALL CLEARING SITE ITEMS IN SECTION 201 SHALL BE ACCOUNTED FOR IN THE LUMP SUM COST FOR MOBILIZATION LISTED IN THE PROPOSAL.

SECTION 202 – EXCAVATION

202.01 DESCRIPTION

THE FOLLOWING IS ADDED:

This work shall also include the removal of all excess materials and shall include soils unsuitable for re-use. Material that is observed to weave or pump during construction operations shall be deemed unsuitable for re-use and disposed off-site as per the direction of the Engineer. No separate payment shall be made for the excavation and off-site removal of material that is observed to be unsuitable for re-use and all costs shall be included in the various Items in the Proposal. Material characterization report (MCR) for excess soils that will be generated is appended to the bid documents

This work shall also include the cost for all excavation and site grading required for the installation and construction of all proposed improvements described on the project plans, regardless of the material encountered, in conformance with the final grades provided on the project plans. The work shall also include disposal of excess soils at off-site locations, at a facility chosen by the contractor subject to approval by the County Engineer. The cost of loading, transport, and tipping fee if any is deemed to be included in the various Items in the Proposal.

This work shall also consist of all work necessary to excavate in a manner which complies with the Occupation Safety and Health Administration (OSHA) requirements. The Contractor shall coordinate excavations with the Engineer. All excavations must be filled or plated prior to end of work shift. No open excavations are permitted at any time that work is not in progress. Plating of open excavations must be specifically approved by the Engineer.

This work shall also include the removal of rock due the need to install proposed underground improvements as indicated and as directed by the Engineer. The manner of rock excavation shall be examined on a case by case basis but shall include removal by hand or machine, the use of blasting is not permitted on this project.

All excavation and disposal including cutting, rock removal, etc., as required shall be included herein. Materials to be excavated are unclassified. Contractor shall be responsible for removal of any and all excessive and unsuitable materials encountered, without additional cost to the Owner.

Following the site clearing and stripping, excavation within the grading limits of the project shall be performed to establish the sub-grade for the site, as needed and determined in the field by the Engineer. Cost for disposal of all material shall be the responsibility of the contractor. Payment will be made under the pay item Mobilization.

Any excess subsoil shall be kept separate from topsoil and/or other excavated materials and properly stored in stockpiles so that it shall not be subject to abnormal erosion and loss and does not interfere with subsequent construction, material storage and/or contamination from construction activities. Material removed below grade shall be replaced with approved material, thoroughly compacted to a density equal to adjacent areas using suitable equipment, as approved by the Engineer.

Contractor shall carry excavation to lines and grades required, to dimensions and depths shown, with sufficient working space to permit placing, protection, inspection, and completion of all contract work. Materials of every nature encountered shall be loosened and removed manually or with power equipment. Excavated material shall be stockpiled on the construction site, if needed for the work; otherwise, it shall be disposed of properly off site.

The sides of all excavations shall be free of undercuts and properly sloped or braced to prevent slides and caving. Provide barriers, snow fence, markings, and guarding lighting as required at all open excavations for working and public safety. Remove protective materials when no longer required. All excavations shall be maintained free of water and protected at all times from frost.

1. Critical Areas of Existing Utilities: Hand excavation of such areas shall be required to ensure that utilities are not damaged.
2. Inspection: Contractor shall not begin work until bearing surfaces have been cleared, and Engineer's authorization given to proceed. Contractor is required to give ample advance notice to permit the Engineer

- to arrange for proper field inspection of conditions. The Engineer shall approve the sub-grade before permission is granted to proceed.
3. Timing: Contractor shall schedule excavation, construction, protection, inspection, and completion so as to minimize length of time that any excavation remains open.

Site grading shall include grading, preparation, and compacting all material required to bring the site to grade, as shown on the plans or as directed by the Engineer, and all incidental work to the satisfaction of the Engineer.

The spreading of the existing material to meet the sub-grade requirements shall be paid for under the Mobilization item. The importing of the fill material (borrow excavation) and spreading of the borrowing excavation, shall be paid for on a percentage complete basis. All material shall be certified clean by the contractor and/or contractor's representative or be virgin material as certified by a commercial quarry. The contractor shall install the material in lifts and compact the material to 95% compaction so that settling of the site does not occur. The contractor shall utilize the services of a geotechnical engineer in areas of fill that are greater than four feet.

Compaction shall be performed in accordance with Section 203 of the NJDOT Standard Specification. Costs of compaction and compaction testing shall be included in the pay item Mobilization.

202.04 MEASUREMENT AND PAYMENT.

THE ENTIRE SUBSECTION IS REPLACED BY THE FOLLOWING:

No separate payment for excavation and grading shall be measured and all costs associated with the work described above shall be included in the bid price for Mobilization. These costs shall include, but not be limited to, all costs associated with unclassified excavation, importing of material, disposal of material off-site, vehicle costs, stakeout and movement of all material to meet the final grades as described on the project plans and to the satisfaction of the Engineer. The contractor shall account for all soil movement activity including off-site disposal within the allotted bid price.

Costs of compaction and compaction testing shall be included in the pay item Mobilization.

THE FOLLOWING IS ADDED TO THE PAY ITEMS:

ALL ITEMS IN SECTION 202 SHALL BE ACCOUNTED FOR IN THE LUMP SUM COST FOR MOBILIZATION LISTED IN THE PROPOSAL.

DIVISION 600 – MISCELLANEOUS CONSTRUCTION

SECTION 613 – HYDRO RAKING

605.01 DESCRIPTION

- A. This Section describes the requirements for hydro-raking. The work consists of performing and maintaining excavation equipment necessary to hydro-rake a maximum of cubic yards as listed in the proposal of aquatic material from the Briant Pond. All construction activity must take place within the construction fence indicated on the Construction Plan unless otherwise approved from the Engineer.
- B. Should additional work be awarded, the maximum amount of cubic yards shall be as described in each Alternate.

605.02 MATERIALS

- A. Hydro-raking equipment employed on the work site shall be in satisfactory operating condition and capable of safely and efficiently performing the work as set forth in this specification and shall be subject to inspection by the Engineer at any time.

605.03 CONSTRUCTION

3.1 GENERAL

- A. The work consists of performing and maintaining excavation equipment necessary to hydro-rake a maximum of cubic yards as listed in the proposal of aquatic material from the Briant Pond. All construction activity must take place within the construction fence indicated on the Construction Plan unless otherwise approved from the Engineer. Should additional work be awarded, the maximum amount of cubic yards shall be as described in each Alternate as listed in the Proposal. The volume of organic material to be transported may increase or decrease from the actual volume removed from the pond due to the shrink/swell factor of the material. The Contractor shall not remove an excess of the cubic yards listed in the proposal of organic material without the written approval of the Engineer.
- B. Hydro-raking material from the pond shall be placed in containers along the shoreline of the pond to allow for dewatering. The stockpile containment area shall be limited to the area delineated in the plans. The Contractor shall apply lime to the organic material stockpile for odor control as needed and as directed by the Engineer in the field. The Contractor shall submit shop drawings for lime to the Engineer for review and approval.
- C. **The Contractor shall complete all activities by November 15, 2023.** If weather is unsuitable for work, the Contractor may be required to demobilize, at the discretion of the Engineer. **NO ADDITIONAL PAYMENT SHALL BE MADE FOR DEMOBILIZATION AND RE-MOBILIZATION TO RESUME WORK.**

- 3.2 WORK HOURS: 7:30 A.M. - 8:00 P.M. Work Hours will be confirmed with the County at the Pre-Construction Meeting.

3.3 STORAGE OF MATERIALS

- A. Contractor is responsible to secure area of storage of materials within the temporary fence as shown on the construction plans.
- B. All material generated during hydro-raking operations shall be immediately transported to a disposal center. **The overnight storage of the aquatic material inside the fenced area at all pond sites is prohibited unless permission is provided by the County.**

3.4 DISPOSAL

- A. The Contractor is responsible for the transportation of the organic material to the appropriate disposal facility. All material measurements will be taken in truck measurements.

3.5 OPERATION

- A. The Contractor shall be responsible for providing a stable means of moving hydro-raking equipment into and throughout the pond.
- B. The Contractor shall exercise caution when working adjacent to the existing outlet control structure.
- C. The hydro-raking operation shall begin at the mid-point of the pond and continue outward, toward the edges of the pond.
- D. The Contractor shall hydro-rake a maximum of cubic yards as listed in the proposal of organic material from the pond. At no point shall the Contractor over-excavate beyond the limits of organic material. Only aquatic material shall be removed during the hydro-raking process.
- E. While hydro-raking the pond, the Contractor shall be responsible for determining the means and methods of performing the work. The Contractor shall not deposit the material generated as the result of hydro-raking operations on-shore under any circumstances. The Contractor shall load material directly onto the truck bed and move material to the Disposal Facility as hydro-raking progresses.
- F. The Contractor shall strive to remove as much water as possible from organic aquatic during hydro-raking operations and truck loading.
- G. When leaving the site, hydro-raked material shall be loaded into baffled, watertight containers for transport and disposal.**
- H. During the hydro-raking process, the Contractor shall coordinate on a weekly basis with the Engineer to review areas and depths of organic material removed and to agree on the quantity of material excavated to date.
- I. Access into and out of the pond shall be only through the stabilized construction entrance shown on the Construction Plans. Pond access areas shall be restored to their original condition as soon as possible after hydro-raking operations are complete and the hydro-raking equipment has been removed from the site.
- J. Document Control. Provide the following items:
 - i. Construction Schedule. The Contractor shall submit for approval a construction schedule indicating start and completion dates of the work under this contract. At a minimum, the schedule shall include the start date of hydro-raking operations, the total number of days of hydro-raking and the scheduled completion date of hydro-raking. The Engineer may require additional scheduling information at any time throughout the project. The schedule shall be updated on a weekly basis and resubmitted to the Engineer.

- ii. Logs. Complete a tracking log for each working day involving hydro-raking, transport, and disposal of organic material. Monitor and record the following information on the tracking log:
 1. Date.
 2. Location maps showing hydro-raked locations, and depth of material removal at each location.
 3. Type, approximate volume, and characteristics of material removed.
 4. Number of trucks loaded and capacity of each truck.
 5. Estimated volume of material removed from the pond on that day.
 6. Names and signatures of personnel responsible for preparing and executing the tracking log.

Submit copies of daily tracking logs to the Engineer on a weekly basis. See Part 4 of this Section for additional information.

K. Misplaced Material

- i. Should the Contractor, during the progress of the work, lose, dump, throw overboard, sink or misplace any material, plant, machinery or appliance, which in the opinion of the Engineer may be dangerous to users of the pond, the Contractor shall recover and remove the same immediately and as directed by the Engineer. The Contractor shall give immediate notice, with description and location of such obstructions, to the Engineer or Inspector, and when required, shall mark or buoy such obstructions until the same are removed. The Contractor shall be responsible for removal of all obstructions at no cost to the Owner.

L. Disposal

- i. All excavated material shall be removed the pond by the end of the day that it is removed from the pond. The organic material shall be placed at a location agreed upon by the Contractor and the Engineer. The organic material stockpile shall be contained in a manner approved by the Engineer, with measures to provide positive drainage. Soil Erosion and Sediment Control Measures shall be installed around the temporary stockpile. Lime shall be applied to the organic material stockpile for odor control as needed and as directed by the Engineer.
- ii. All material measurements will be measured in TONS as recorded in weigh tickets by the receiving facility.
- iii. Waste will be treated as ID No. 23 vegetative waste in accordance with NJAC 7:26-2.13(g). **Material should be tested prior to disposal.**

M. Items of Value.

- i. Any items of value discovered by the Contractor during the hydro-raking or pond lowering operations shall be turned over to the Municipality.

605.04 MEASUREMENT AND PAYMENT

- 4.1 The quantity of material for which payment shall be made shall be taken in truck measurements – the number of loads delivered to the disposal facility. Prior beginning of the hydro-raking operations, **a determination for the single truck load volume in Cubic Yard will be made through agreement between the Engineer and Contractor.** Payment for Hydro-Raking shall be made for the quantity actually performed, measured in tons at the bid price per cubic yards in the proposal item Hydro-Raking, which price shall include cutting of plant material, drying, permitting (if required), and all materials, labor, equipment and all else necessary therefore and in connection therewith and incidental thereto. The County will only pay for the actual cubic yards removed following the daily inspection totals.
- 4.2 Any non-organic, non-sediment, debris located on the pond bottom shall be disposed of by the Contractor. This disposal shall include, but not be limited to, tires, metal objects, tree stumps and logs. **All costs associated with disposal of debris shall paid for in the various items in the proposal.**
- 4.3 Payment for Disposal and Disposal Transportation shall be made for the quantity actually performed, measured in tons at the price indicated in the proposal for the item Disposal and Disposal Transportation, which price shall include the cost of disposal, disposal transportation, collection of material, stockpiling of material, cost of watertight containers, permitting (if required) and all materials, labor, equipment and all else necessary therefore and in connection therewith and incidental thereto. The county will pay only for the actual tonnage removed following the receipt of the disposal tickets up to the Tonnage s as indicated in the proposal. Final tonnage totals will be subject to basis of award.

<u>Item</u>	<u>Pay Unit</u>
HYDRO-RAKING (INCLUDING STOCKPILING, LIMESTONE)	CUBIC YARD
TRUCKING	TON
MATERIAL DUMPING	TON
MATERIAL TESTING	LUMP SUM

DIVISION 800 – LANDSCAPING

SECTION 802 – TRIMMING AND REMOVING TREES

802.01 DESCRIPTION.

THE FOLLOWING IS ADDED:

This work shall also consist of trimming trees, if & where directed in the field by the Engineer.

802.04 MEASUREMENT AND PAYMENT.

No separate payment shall be measured for the tree trimming of existing trees. All costs associated with the removal of existing trees shall be included in the Item MOBILIZATION.

No separate payment shall be measured for the removal of existing trees and stumps. All costs associated with the removal of existing trees and stumps shall be included in the Item MOBILIZATION.

SECTION 804 – TOPSOILING SPREADING

804.01 DESCRIPTION

THIS SUBSECTION IS CHANGED TO:

This section describes the requirements for preparing, screening and placing topsoil stripped from the project site if deemed acceptable for use as topsoil. This Section also describes the requirement for preparing, screening and placing topsoil imported from off-site approved sources.

804.02 MATERIALS

804.03 CONSTRUCTION

804.03.01 Topsoil Spreading

THE FOLLOWING IS ADDED TO THE SECOND PARAGRAPH:

If on-site stripped topsoil is deemed acceptable, screen first the stripped topsoil to remove all stones equal to or larger than ½ inch in any dimension and other debris such as tree roots, clods, lumps, wires, cables, piece of concrete, piece of asphalt and other deleterious substances. Add pulverized limestone at the rate of 100 lbs. per 1,000 square feet to all screened topsoil, on-site and off-site. Bring screened topsoil in excess of that obtained from stripping.

TESTING: EXISTING SOIL SHALL BE TESTED FOR SUITABILITY OF PLANTING, LAWN, AND SEED MIX AREAS. CONTRACTOR TO PROVIDE A MINIMUM OF TWO TESTS PER ZONE OF PLANTING TYPOLOGY BY RUTGERS SOIL TESTING LAB (RUTGERS NJAES) AND/OR APPROVED EQUAL.

AMMENDMENTS: SOIL AREAS TO BE AMMENDED PER SOIL TESTS RECOMMENDATIONS TO ENSURE PROPER PH BALANCE AND OPTIMUM NUTRIENT LEVELS FOR SPECIFIED MATERIAL INSTALLATION.

804.04 MEASUREMENT AND PAYMENT

FOR THE PURPOSES OF THIS CONTRACT, TOPSOIL WILL BE BROUGHT IS AS NEEDED AS DIRECTED BY THE ENGINEER TO COMPLETE THE TASK OF SITE RESTORATION. NO SEPARATE PAYMENT SHALL BE MEASURED FOR BORROW TOPSOIL OR TOPSOIL SPREADING. ALL COSTS ASSOCIATED WITH THE REMOVAL OF EXISTING TREES AND STUMPS SHALL BE INCLUDED IN THE ITEM SITE RESTORATION.

A TOPSOIL SAMPLE SHALL BE PROVIDED TO THE PROJECT LANDSCAPE ARCHITECT FOR ANALYSIS PRIOR TO ANY MATERIAL BEING DELIVERED TO THE SITE.

THE PRICE BID FOR **SITE RESTORATION** ITEM SHALL INCLUDE ALL REQUIREMENTS IN THE STANDARD SPECIFICATIONS, THE ABOVE SPECIFICATIONS AND ALL LABOR, EQUIPMENT AND MATERIALS REQUIRED FOR THE FURNISHING, PLACING/INSTALLING AND FINISHING OF SAID ITEMS AS SET FORTH IN THE BID DOCUMENTS.

SECTION 806 – FERTILIZING AND SEEDING

804.04 MEASUREMENT AND PAYMENT

THE FOLLOWING IS ADDED:

- A. Seed Varieties: Fresh, clean, dry, new-crop seed complying with AOSA's "Journal of Seed Technology; Rules for Testing Seeds" for purity and germination tolerances.
 - 1. Seed Species: Seed of grass species as follows, with not less than 95 percent germination, not less than 85 percent pure seed, and not more than 0.5 percent weed seed:

LAWN SEED MIX NOTES
(FOR DISTURBED AREAS)

MIX #13 (WELL TO MODERATELY DRAINED SOIL):

HARD FESCUE AND/OR	
CHEWING FESCUE AND/OR	
STRONG CREEPING RED FESCUE	175 LBS/ACRE
PERENINIAL RYEGRASS	45 LBS/ACRE
KENTUCKY BLUE GRASS (BLEND)	45 LBS/ACRE

MIX #14 (EXCESSIVELY TO MODERATELY DRAINED SOIL):

TALL FESCUE	265 LBS/ACRE
KENTUCKY BLUE GRASS (BLEND)	20 LBS/ACRE
PERENINIAL RYE GRASS (BLEND)	20 LBS/ACRE

MIX #16 (POORLY DRAINED SOIL)

ROUGH BLUEGRASS	90 LBS/ACRE
STRONG CREEPING RED FESCUE	130 LBS/ACRE

OPTIMUM SEEDING DATES:

8/1 - 10/1 (ZONE 5b, 6a); 8/15 - 10/15 (ZONE 6b); 8/15 - 10/30 (ZONE 7a, 7b)

ACCEPTABLE SEEDING DATES:

3/15 - 5/31 (ZONE 5b, 6a); 3/1 - 4/30 (ZONE 6b); 2/1 - 4/30 (ZONE 7a, 7b)

SUMMER SEEDING DATES * :

6/1 - 7/31 (ZONE 5b, 6a); 5/1 - 8/14 (ZONE 6b, 7a, 7b)

* NOTE: SUMMER SEEDING SHOULD ONLY BE CONDUCTED WHEN THE SITE IS IRRIGATED. MIXES INCLUDING WHITE CLOVER REQUIRE THAT AT LEAST SIX WEEKS OF GROWING SEASON REMAIN AFTER SEEDING TO ENDURE ESTABLISHMENT BEFORE FREEZING CONDITIONS.

THE PRICE BID FOR **SITE RESTORATION** SHALL INCLUDE ALL REQUIREMENTS IN THE STANDARD SPECIFICATIONS, THE ABOVE SPECIFICATIONS AND ALL LABOR, EQUIPMENT AND MATERIALS REQUIRED FOR THE FURNISHING, PLACING/INSTALLING AND FINISHING OF SAID ITEMS AS SET FORTH IN THE BID DOCUMENTS.

SECTION 809 – MULCHING

809.04 MEASUREMENT AND PAYMENT

THE FOLLOWING IS ADDED:

MULCH: ORGANIC MULCH, FREE FROM DELETERIOUS MATERIALS AND SUITABLE AS A TOP DRESSING OF TREES AND SHRUBS, CONSISTING OF THE FOLLOWING:

SHREDDED BARK MULCH: NATURAL FIBROUS PRODUCT THAT IS NON-INJURIOUS TO LIVE PLANTS. PLANTING BED MULCH SHALL BE SHREDDED BARK MULCH ONLY. CHUNK, CHIP OR GRANULAR TYPE MULCHES ARE NOT ACCEPTABLE. PLANTING BED MULCH SHALL BE A CATEGORY 3 BASE BARK HAVING A MAXIMUM 10% WOOD FIBER, SHALL BE FIBROUS IN NATURE AND PROCESSED IN ACCORDANCE WITH THE NATIONAL BARK PRODUCERS ASSOCIATION.

STONE MULCHING, GRAVEL MULCHING, WOOD MULCHING, WOOD CHIP MULCHING SHALL NOT BE PERMITTED. ONLY ORGANIC DOUBLE SHREDDED HARDWOOD MULCH WILL BE ACCEPTED.

THE PRICE BID FOR **SITE RESTORATION** SHALL INCLUDE ALL REQUIREMENTS IN THE STANDARD SPECIFICATIONS, THE ABOVE SPECIFICATIONS AND ALL LABOR, EQUIPMENT AND MATERIALS REQUIRED FOR THE FURNISHING, PLACING/INSTALLING AND FINISHING OF SAID ITEMS AS SET FORTH IN THE BID DOCUMENTS.



COUNTY OF UNION
BOARD OF CHOSEN FREEHOLDERS
**BRIANT PARK HYDRO-RAKING
TOWNSHIP OF SUMMIT**

UNION COUNTY PROJECT #2021-012

BLOCK 3911, LOT 1
SUMMIT

UNION COUNTY, NEW JERSEY
AUGUST 2023

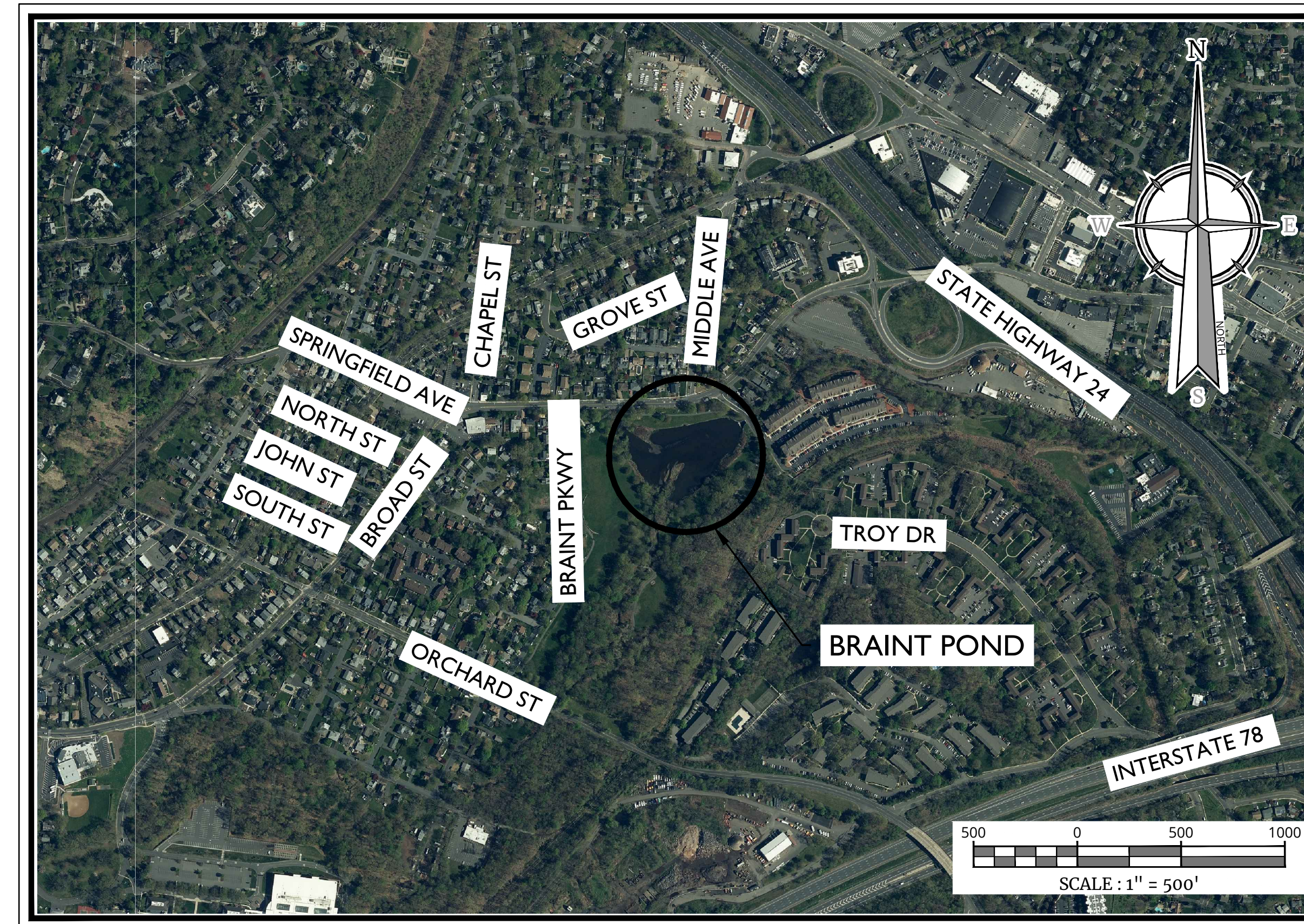
PUBLIC UTILITIES

GAS/ELECTRIC	PUBLIC SERVICE ELECTRIC & GAS COMPANY 80 PARK PLAZA, T6B NEWARK, NJ 07101 TEL: (800) 436-7734	CABLE	COMCAST CABLEVISION 73 ROCK AVENUE PLAINFIELD, NJ 07060 TEL: (908) 769-0740
WATER	NEW JERSEY AMERICAN WATER COMPANY PO BOX 5627 CHERRY HILL, NJ 08034 TEL: (856) 310-2206	FIBER OPTICS	AT&T CORPORATION ATTN: NANCY PENCE 2315 SALEM ROAD CONYERS, GA 30013
TELEPHONE	VERIZON NEW JERSEY, INC. C/O DUFF & PHELPS PO BOX 279 ADDISON, TX 75001	SANITARY SEWER	PLAINFIELD MUNICIPAL UTILITIES AUTHORITY 127 ROOSEVELT AVENUE PLAINFIELD, NJ 07060 TEL: (908) 226-2518
		STORM SEWER	CITY OF PLAINFIELD DEPARTMENT OF PUBLIC WORKS 515 WATCHUNG AVENUE PLAINFIELD, NJ 07060 TEL: (908) 753-3375

LOCATION OF UTILITIES SHOWN ON THE PLANS ARE PLOTTED FROM AVAILABLE DATA ON FILE WITH THE UTILITY COMPANIES AND ARE NOT WARRANTED AS TO EXACTNESS. CONTRACTOR IS TO DETERMINE EXACT LOCATION AND DEPTH OF UTILITIES AT ALL CROSSINGS PRIOR TO CONSTRUCTION IN ACCORDANCE WITH THE REQUIREMENTS OF THE CONTRACT DOCUMENTS.

GOVERNING BODY

COMMISSIONERS	SERGIO GRANADOS, CHAIRMAN KIMBERLY PALMIERI-MOUDED, VICE CHAIR JAMES E. BAKER, JR., COMMISSIONER JOSEPH BODEK, COMMISSIONER DR. ANGELA R. GARRETSON, COMMISSIONER BETTE JANE JOWALSKI, COMMISSIONER LOURDES M. LEON, COMMISSIONER ALEXANDER MIRABELLA, COMMISSIONER REBECCA WILLIAMS, COMMISSIONER
COUNTY MANAGER	EDWARD OATMAN
COUNTY ENGINEER	RICARDO MATIAS, P.E., C.M.E., C.F.M.



BRIANT POND LOCATION MAP

REFERENCE SOURCE:
USGS MAP - SUMMIT, NJ

INDEX OF SHEETS

SHT. No.	DESCRIPTION	LATEST REVISION
1	COVER SHEET	
2	BRIANT POND STAGING AREA	
3	SOIL EROSION AND SEDIMENT CONTROL NOTES AND DETAILS	

Colliers
Engineering & Design
www.colliersengineering.com
Copyright © 2023, Colliers Engineering & Design All Rights Reserved. This drawing and all the information contained herein is authorized for use only by the party for whom the services were contracted or to whom it is certified. This drawing may not be copied, revised, discarded, distributed or relied upon for any other purpose without the express written consent of Colliers Engineering & Design.

Doing Business as **MASER CONSULTING**

811 PROTECT YOURSELF
ALL STATES REQUIRE NOTIFICATION OF EXCAVATORS, DESIGNERS, OR ANY PERSON PREPARING TO DISTURB THE EARTH'S SURFACE ANYWHERE IN ANY STATE
Know what's below.
Call before you dig.
FOR STATE SPECIFIC DIRECT PHONE NUMBERS VISIT: WWW.CALL811.COM

REV.	DATE	DRAWN BY	DESCRIPTION

Joseph R. Venezia
Joseph R. Venezia
NEW JERSEY LICENSED PROFESSIONAL ENGINEER
LICENSE NUMBER: 6E45473
COLLIERS ENGINEERING & DESIGN, INC.
N.J. C.O.A. #: 246A-27986500

**BRIANT PARK
HYDRO-RAKING**
FOR
UNION COUNTY

BLOCK 3911
LOT 1

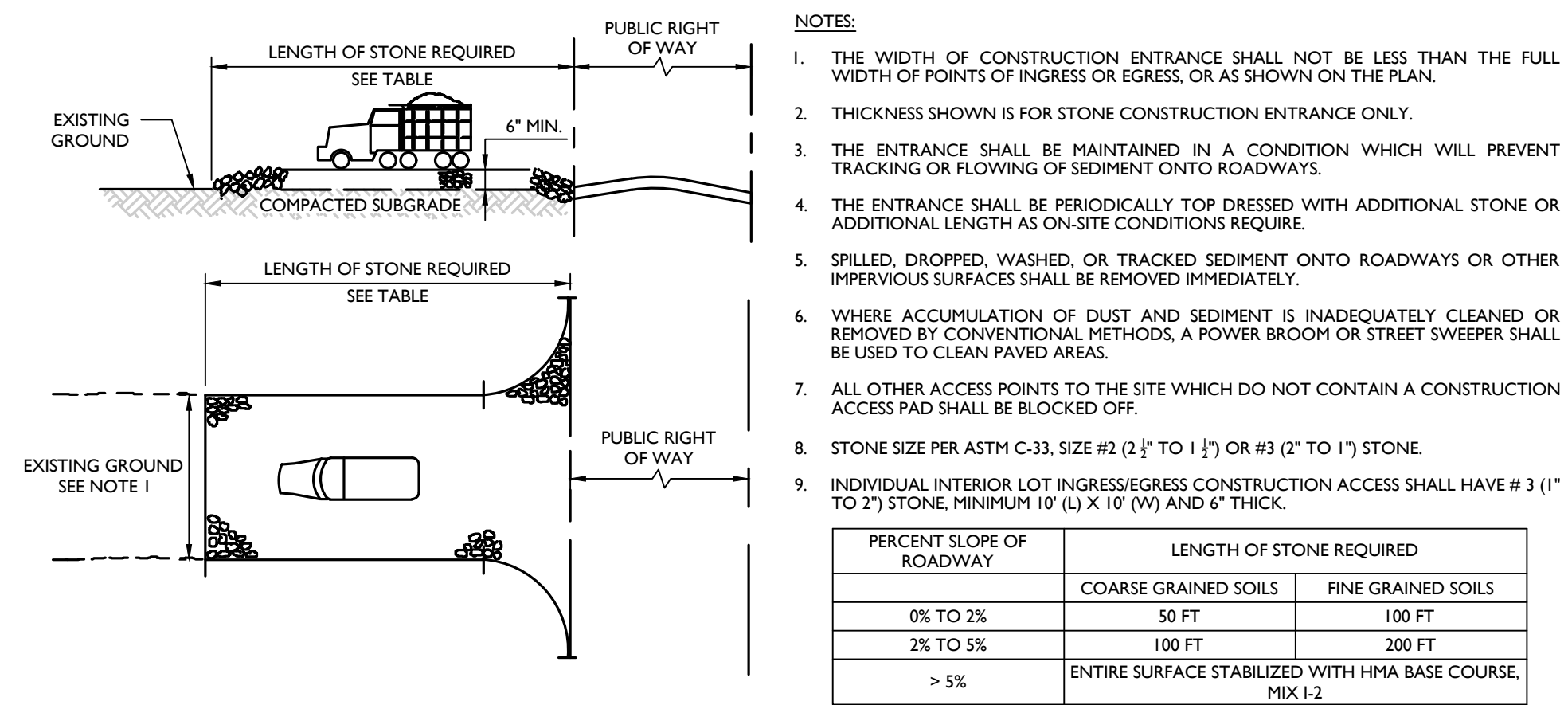
CITY OF SUMMIT
UNION COUNTY
NEW JERSEY

Colliers
Engineering & Design
RED BANK (Headquarters)
331 Newman Springs Road,
Suite 203
Red Bank, NJ 07701
Phone: 732.383.1950
COLLIERS ENGINEERING & DESIGN, INC.
DOING BUSINESS AS MASER CONSULTING

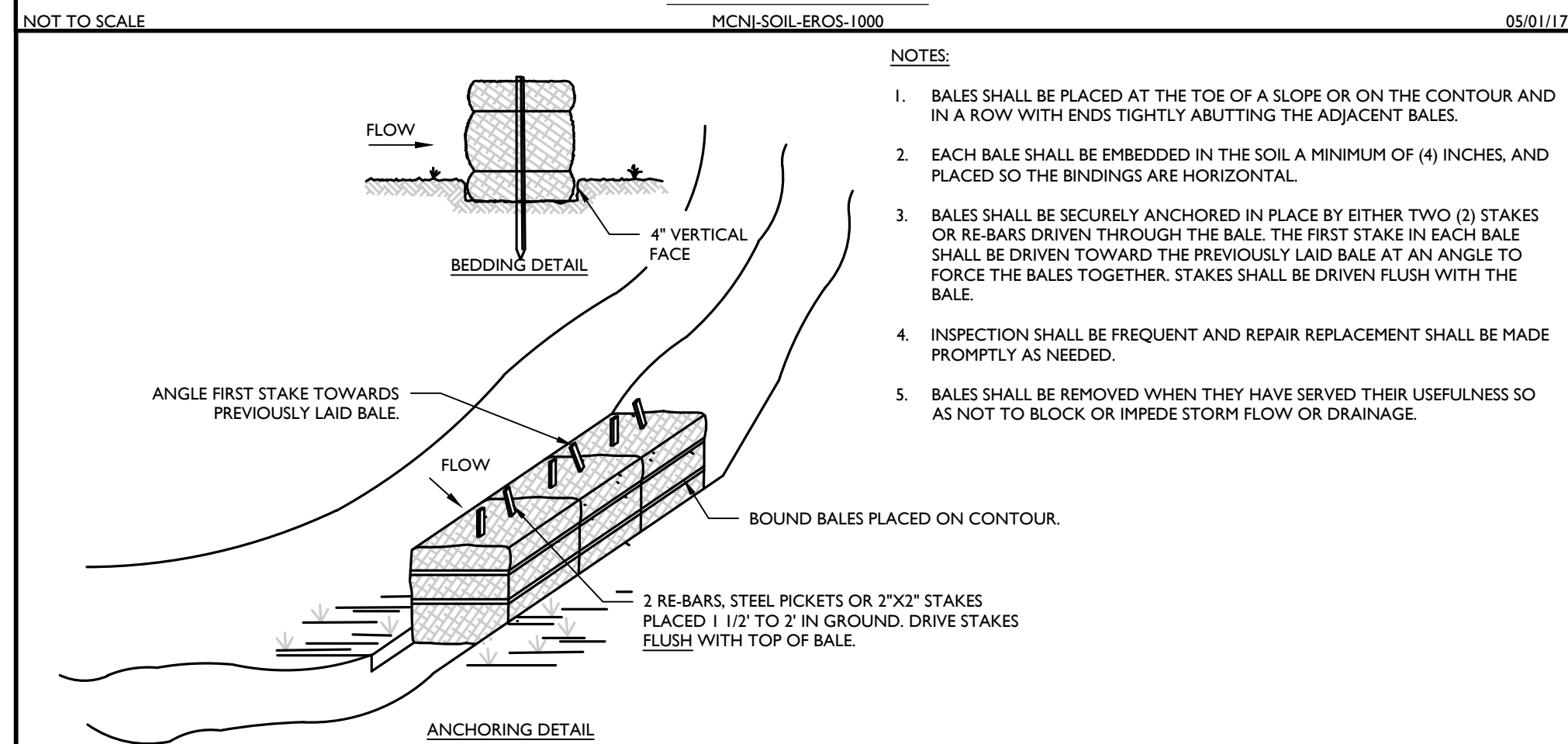
SCALE: AS SHOWN DATE: 07/18/23 DRAWN BY: MJU CHECKED BY: JJR
PROJECT NUMBER: 22005859G DRAWING NAME: C-COVER
SHEET TITLE: COVER SHEET
SHEET NUMBER: 1 of 3

SOMERSET-UNION SOIL CONSERVATION DISTRICT NOTES

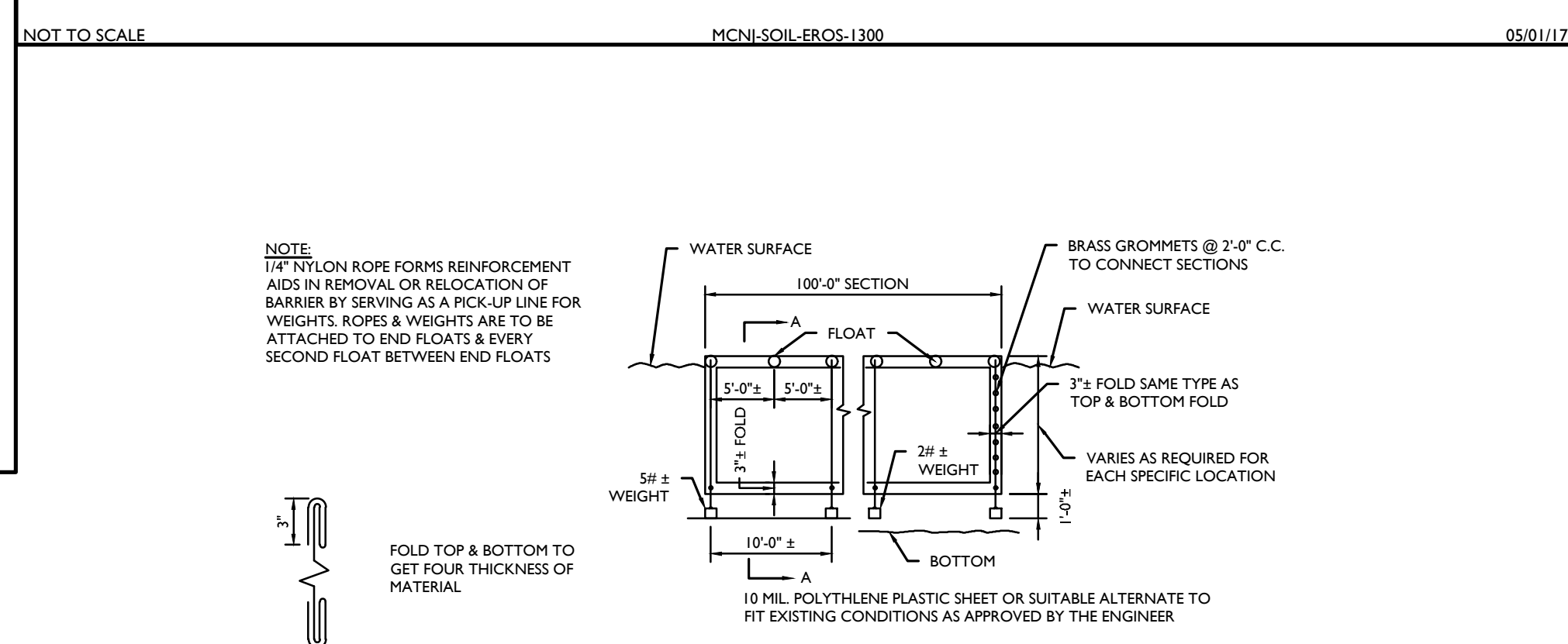
- MCNJ-SOIL-NOTE-1013 05/01/17
1. THE SOMERSET-UNION SOIL CONSERVATION DISTRICT SHALL BE NOTIFIED IN WRITING 48 HOURS IN ADVANCE OF ANY LAND DISTURBING ACTIVITY.
 2. ALL SOIL EROSION AND SEDIMENT CONTROL PRACTICES SHALL BE INSTALLED PRIOR TO ANY MAJOR SOIL DISTURBANCES OR IN THEIR PROPER SEQUENCE AND MAINTAINED UNTIL PERMANENT PROTECTION IS ESTABLISHED.
 3. ANY STOCKPILE OR DISTURBED AREAS THAT WILL BE LEFT EXPOSED MORE THAN 30 DAYS AND NOT SUBJECT TO CONSTRUCTION TRAFFIC, WILL IMMEDIATELY RECEIVE A TEMPORARY SEEDING. IF THE SEASON PREVENTS THE ESTABLISHMENT OF A TEMPORARY COVER, THE DISTURBED AREAS WILL BE MULCHED WITH STRAW, OR EQUIVALENT MATERIAL, AT A RATE OF TWO (2) TONS PER ACRE, ACCORDING TO NJ STATE STANDARDS.
 4. PERMANENT VEGETATION SHALL BE SEEDING OR SODDED ON ALL EXPOSED AREAS WITHIN TEN (10) DAYS AFTER FINAL GRADING. MULCH WILL BE USED FOR PROTECTION UNTIL SEEDING IS ESTABLISHED.
 5. ALL WORK SHALL BE DONE IN ACCORDANCE WITH THE NJ STATE STANDARDS FOR SOIL EROSION AND SEDIMENT CONTROL IN NEW JERSEY.
 6. A SUB-BASE COURSE WILL BE APPLIED IMMEDIATELY FOLLOWING ROUGH GRADING AND INSTALLATION OF IMPROVEMENTS IN ORDER TO STABILIZE STREETS, ROADS, DRIVEWAYS AND PARKING AREAS. IN AREAS WHERE NO UTILITIES ARE PRESENT, THE SUB-BASE SHALL BE INSTALLED WITHIN 15 DAYS OR PRELIMINARY GRADING.
 7. IMMEDIATELY FOLLOWING INITIAL DISTURBANCE OR ROUGH GRADING ALL CRITICAL AREAS SUBJECT TO EROSION (I.E. STEEP SLOPES, ROADWAY EMBANKMENTS) WILL RECEIVE A TEMPORARY SEEDING IN COMBINATION WITH STRAW MULCH OR A SUITABLE EQUIVALENT, AT A RATE OF TWO (2) TONS PER ACRE, ACCORDING TO THE NJ STATE STANDARDS.
 8. ANY STEEP SLOPES RECEIVING PIPELINE INSTALLATION WILL BE BACKFILLED AND STABILIZED DAILY, AS THE INSTALLATION PROCEEDS (I.E. SLOPES GREATER THAN 3:1).
 9. TRAFFIC CONTROL STANDARDS REQUIRE THE INSTALLATION OF A 5'0"X30'X6" PAD OF 1 1/2" OR 2" STONE AT ALL CONSTRUCTION DRIVEWAYS, IMMEDIATELY AFTER INITIAL SITE DISTURBANCE.
 10. AT THE TIME WHEN THE SITE PREPARATION FOR PERMANENT VEGETATIVE STABILIZATION IS GOING TO BE ACCOMPLISHED, ANY SOIL THAT WILL NOT PROVIDE A SUITABLE ENVIRONMENT TO SUPPORT ADEQUATE VEGETATIVE GROUND COVER, SHALL BE REMOVED OR TREATED IN SUCH A WAY THAT WILL PERMANENTLY ADJUST THE SOIL CONDITIONS AND RENDER IT SUITABLE FOR VEGETATIVE GROUND COVER. IF THE REMOVAL OR TREATMENT OF THE SOIL WILL NOT PROVIDE SUITABLE CONDITIONS, NON-VEGETATIVE MEANS OF PERMANENT GROUND STABILIZATION WILL HAVE TO BE EMPLOYED.
 11. IN THAT N.J.S.A. 4:24-39 ET SEQ. REQUIRES THAT NO CERTIFICATE OF OCCUPANCY BE ISSUED BEFORE THE PROVISIONS OF THE CERTIFIED PLAN FOR SOIL EROSION AND SEDIMENT CONTROL HAVE BEEN COMPLIED WITH FOR PERMANENT MEASURES, ALL SITE WORK FOR SITE PLANS AND ALL WORK AROUND INDIVIDUAL LOTS IN SUBDIVISIONS, WILL HAVE TO BE COMPLETED PRIOR TO THE DISTRICT ISSUING A REPORT OF COMPLIANCE FOR THE ISSUANCE OF A CERTIFICATE OF OCCUPANCY BY THE MUNICIPALITY.
 12. CONDUIT OUTLET PROTECTION MUST BE INSTALLED AT ALL REQUIRED OUTFALLS PRIOR TO THE DRAINAGE SYSTEM BECOMING OPERATIONAL.
 13. ANY CHANGES TO THE CERTIFIED SOIL EROSION AND SEDIMENT CONTROL PLAN WILL REQUIRE THE SUBMISSION OF REVISED SOIL EROSION AND SEDIMENT CONTROL PLANS TO THE DISTRICT FOR RECERTIFICATION. THE REVISED PLANS MUST MEET ALL CURRENT NJ STATE SOIL EROSION & SEDIMENT CONTROL STANDARDS.
 14. THE SOMERSET-UNION SOIL CONSERVATION DISTRICT SHALL BE NOTIFIED OF ANY CHANGES IN OWNERSHIP.
 15. MULCHING TO THE NJ STANDARDS IS REQUIRED FOR OBTAINING A CONDITIONAL REPORT OF COMPLIANCE. CONDITIONALS ARE ONLY ISSUED WHEN THE SEASON PROHIBITS SEEDING.
 16. CONTRACTOR IS RESPONSIBLE FOR KEEPING ALL ADJACENT ROADS CLEAN DURING LIFE OF CONSTRUCTION PROJECT.
 17. THE DEVELOPER SHALL BE RESPONSIBLE FOR REMEDIATING ANY EROSION OR SEDIMENT PROBLEMS THAT ARISE AS A RESULT OF ONGOING CONSTRUCTION AT THE REQUEST OF THE SOMERSET-UNION SOIL CONSERVATION DISTRICT.
 18. HYDRO SEEDING IS A TWO-STEP PROCESS. THE FIRST STEP INCLUDES SEED, FERTILIZER, LIME, ETC., ALONG WITH MINIMAL AMOUNTS OF MULCH TO PROMOTE CONSISTENCY, GOOD SEED TO SOIL CONTACT, AND GIVE A VISUAL INDICATION OF COVERAGE UPON COMPLETION OF SEEDING OPERATION. HYDROMULCH SHOULD BE APPLIED AT A RATE OF 1500 LBS. PER ACRE IN SECOND STEP. THE USE OF HYDROMULCH, AS OPPOSED TO STRAW, IS LIMITED TO OPTIMUM SEEDING DATES AS LISTED IN THE NJ STANDARDS.
 19. UNFILTERED DEWATERING IS NOT PERMITTED. NECESSARY PRECAUTIONS MUST BE TAKEN DURING ALL DEWATERING OPERATIONS TO MINIMIZE SOIL TRANSFER. ANY DEWATERING METHODS USED MUST BE IN ACCORDANCE WITH THE STANDARD FOR DEWATERING.



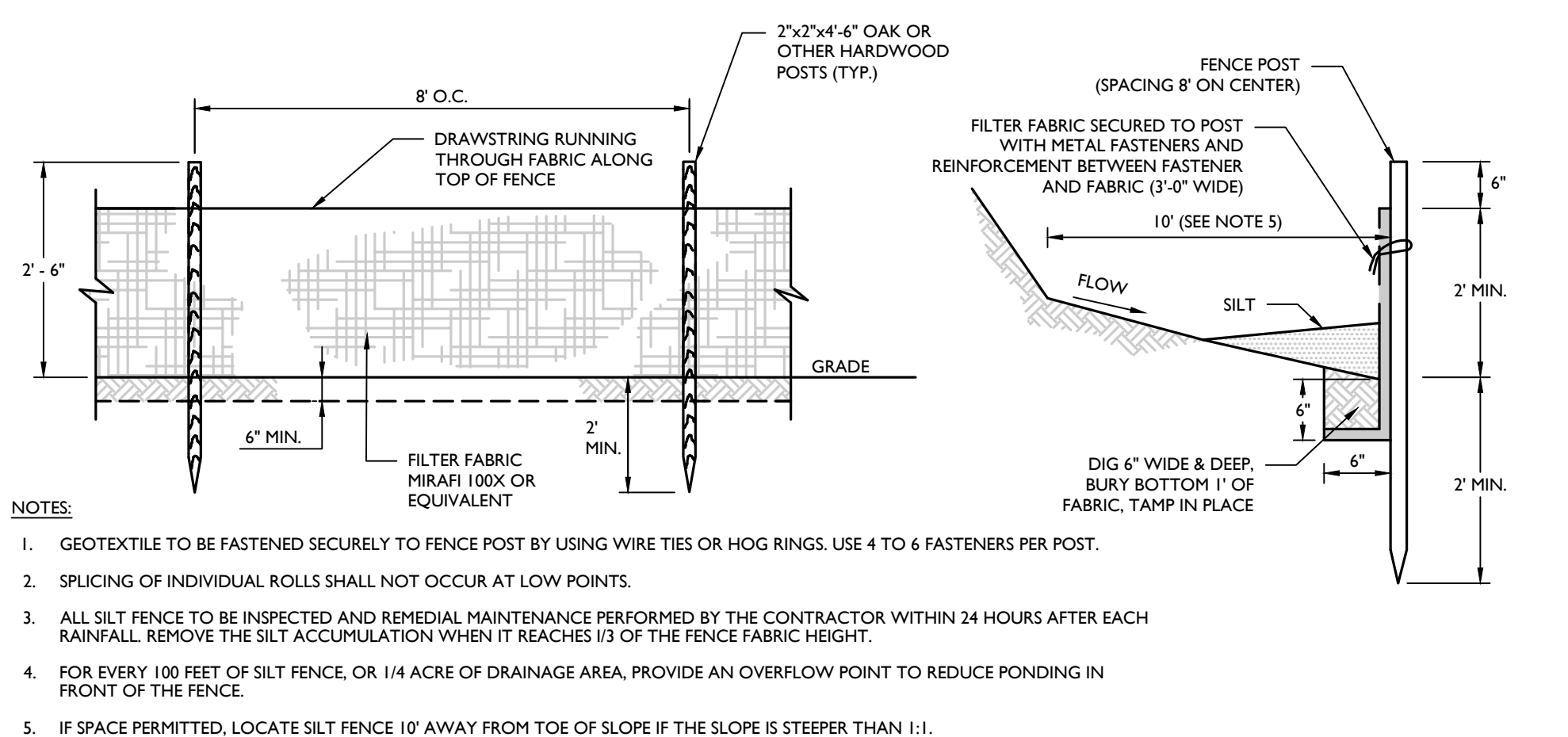
STABILIZED CONSTRUCTION ACCESS DETAIL



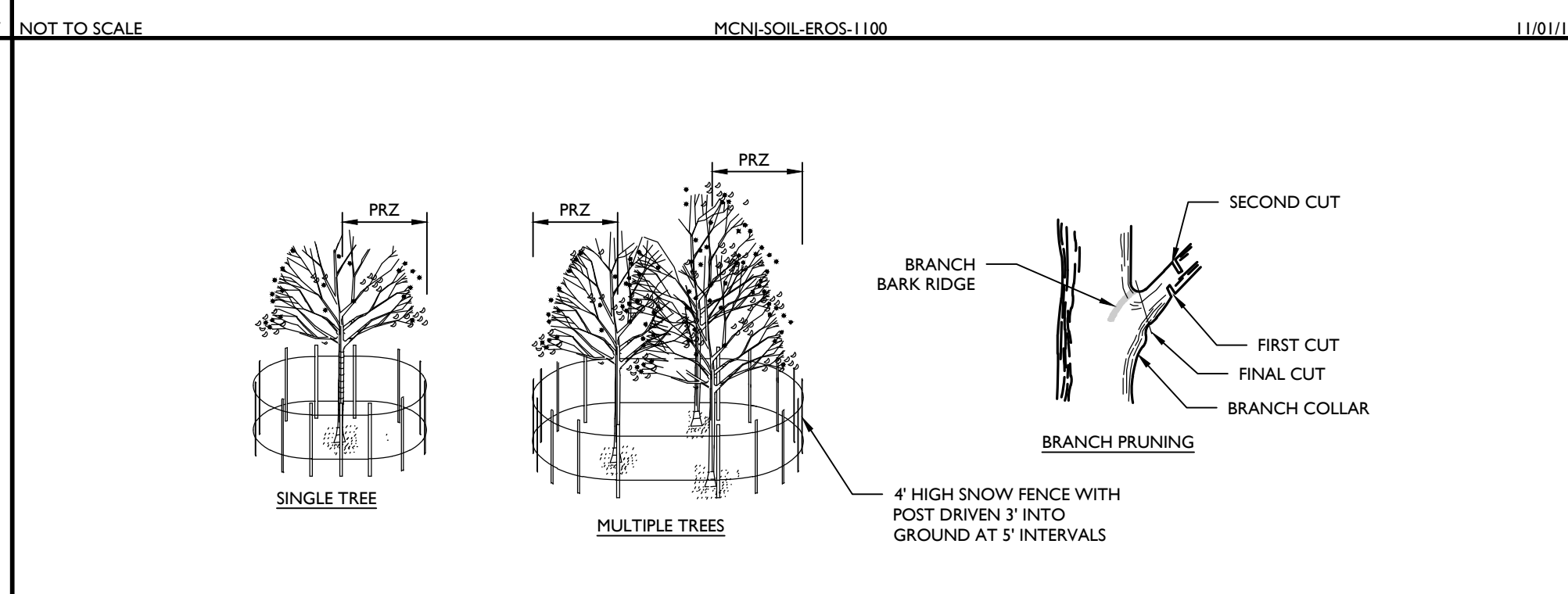
STRAW BALE DIKE DETAIL



FLOATING TURBIDITY BARRIER



SILT FENCE DETAIL



TEMPORARY TREE PROTECTION DETAIL

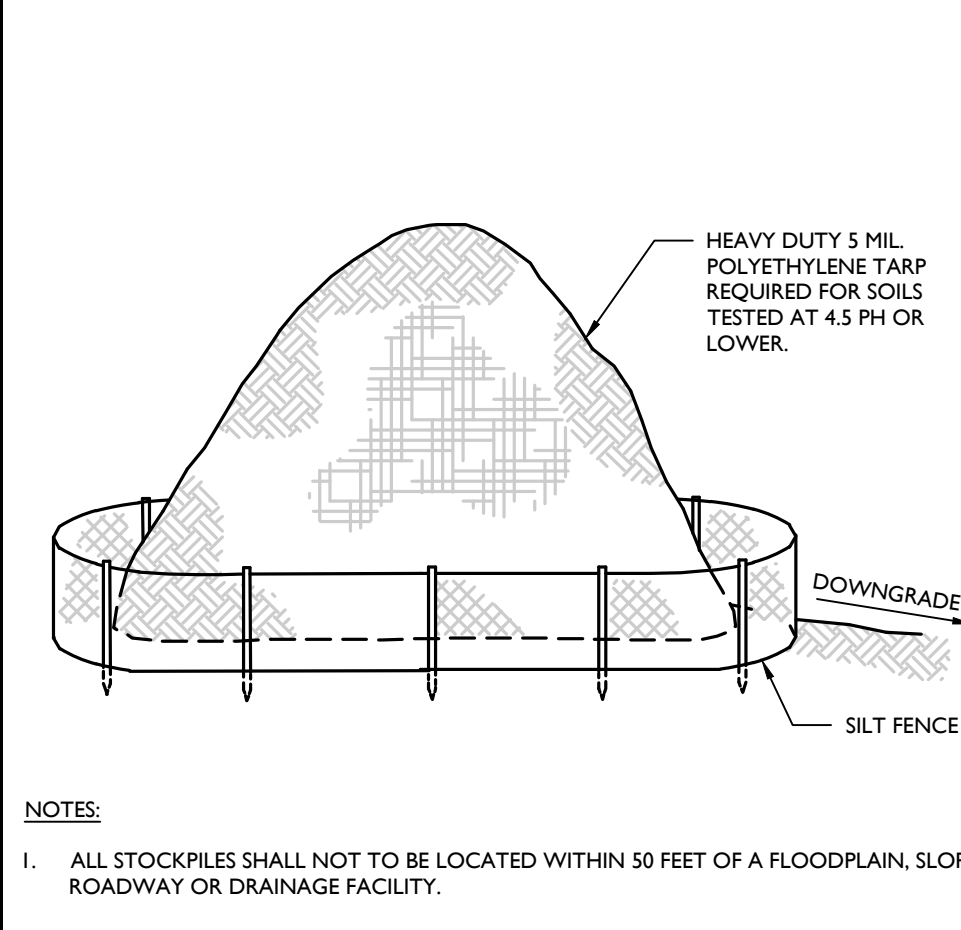
NOT TO SCALE MCNJ-SOIL-EROS-2100 05/01/17

PERMANENT SEEDING SPECIFICATIONS

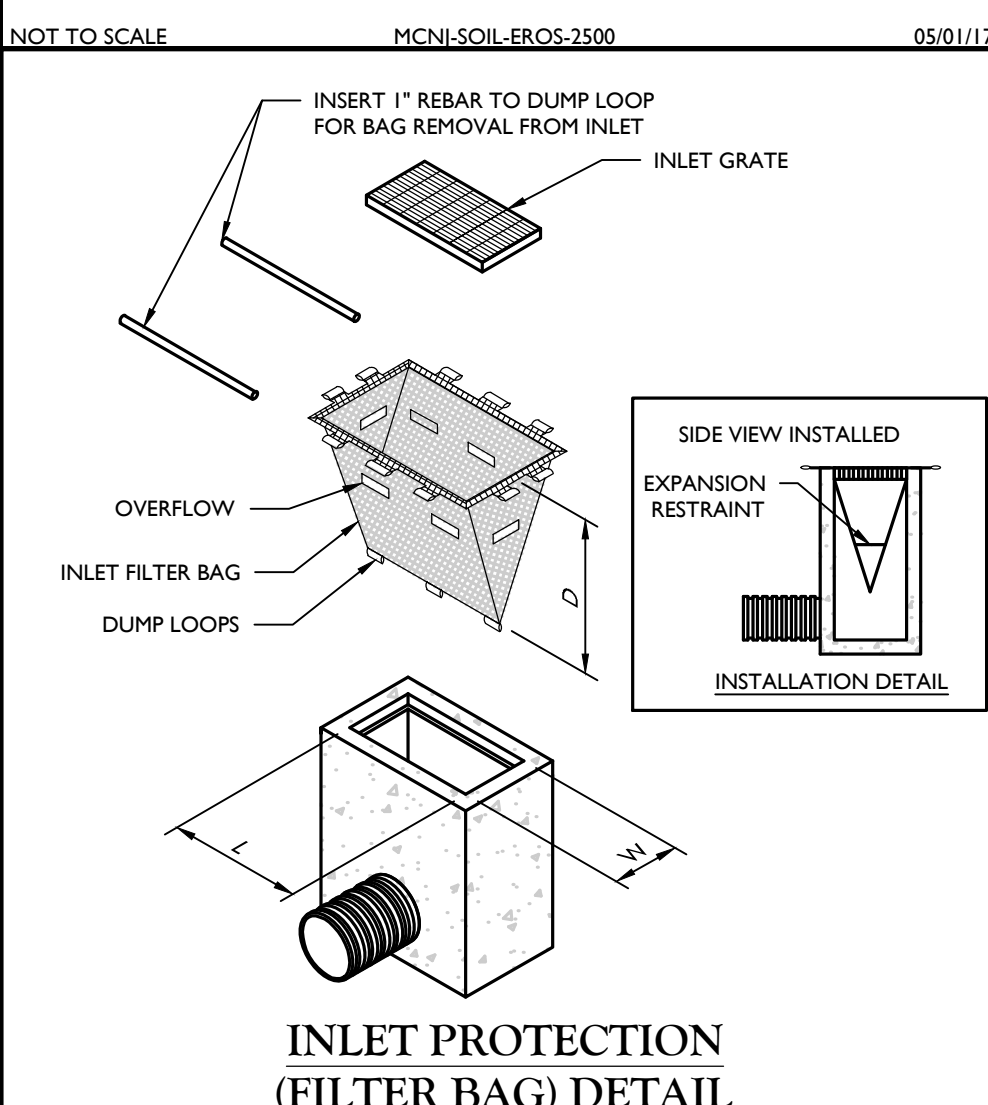
1. **SITE PREPARATION**
 - A. INSTALL EROSION CONTROL MEASURES AND FACILITIES SUCH AS SILT FENCE, DIVERSIONS, SEDIMENT BASINS, CHANNEL STABILIZATION, ETC. SEE STANDARDS 11 THROUGH 42.
 - B. GRADE AS NEEDED AND FEASIBLE TO PERMIT THE USE OF CONVENTIONAL EQUIPMENT FOR SEEDBED PREPARATION, SEEDING, MULCH APPLICATION, MULCH ANCHORING AND MAINTENANCE. ALL GRADING SHOULD BE DONE IN ACCORDANCE WITH THE STANDARD FOR LAND GRADING.
2. **SEEDBED PREPARATION**
 - A. APPLY A UNIFORM 5 INCHES (UNSETTLED) OF TOPSOIL IN ACCORDANCE WITH THE STANDARD FOR TOPSOILING OVER ALL DISTURBED AREAS WITH A PH OF 4.0 OR LESS OR CONTAINING IRON SULFIDE SHALL BE COVERED WITH A MINIMUM DEPTH OF 12 INCHES OF SOIL HAVING PH OF 5.0 OR MORE IN ACCORDANCE WITH THE STANDARD FOR MANAGEMENT OF HIGH ACID PRODUCING SOIL.
 - B. TOPSOIL SHOULD BE HANDLED ONLY WHEN DRY ENOUGH TO WORK WITHOUT DAMAGING SOIL STRUCTURE.
 - C. APPLY GROUND LIMESTONE AND FERTILIZER ACCORDING TO SOIL TEST RECOMMENDATIONS SUCH AS OFFERED BY RUTGERS CO-OPERATIVE EXTENSION. SOIL SAMPLE MAILERS ARE AVAILABLE FROM THE LOCAL RUTGERS CO-OPERATIVE EXTENSION OFFICES. FERTILIZER SHALL BE APPLIED AT THE RATE OF 500 POUNDS PER ACRE OR 11 POUNDS PER 1,000 SQUARE FEET OF 10-20-10 OR EQUIVALENT WITH 50% WATER INSOLUBLE NITROGEN UNLESS A SOIL TEST INDICATES OTHERWISE. APPLY LIMESTONE IN ACCORDANCE WITH THE TABLE BELOW AND THE RESULTS OF SOIL TESTING. CALCIUM CARBONATE IS THE EQUIVALENT AND STANDARD FOR 4. MEASURING THE ABILITY OF LIME MATERIALS TO NEUTRALIZE SOIL ACIDITY AND SUPPLY CALCIUM AND MAGNESIUM TO GRASSES AND LEGUMES. THE TABLE BELOW IS A GENERAL GUIDELINE FOR LIMESTONE APPLICATION RATES.

LIMESTONE APPLICATION RATE BY SOIL TEXTURE	TONS/ACRE	LBS/1,000 SQ. FT.
SOIL TEXTURE	1	135
CLAY, CLAY LOAM, AND HIGH ORGANIC SOIL	2	90
SANDY LOAM, LOAM, SILT LOAM	1	45
LOAMY SAND, SAND	1	45

 - D. IMMEDIATELY PRIOR TO SEEDING AND TOPSOIL APPLICATION, THE SURFACE SHOULD BE SCARIFIED 6" TO 12" WHERE THERE HAS BEEN SOIL COMPACTION. THIS PRACTICE IS PERMISSIBLE ONLY WHERE THERE IS NO DANGER TO UNDERGROUND UTILITIES (CABLES, IRRIGATION SYSTEMS, ETC.).
3. **SEEDING**
 - A. SOIL EROSION AND SEDIMENT CONTROL SEED MIXTURE SHALL BE APPLIED WITHIN THE DATES SPECIFIED IN THE STANDARDS.
 - B. CONVENTIONAL SEEDING IS PERFORMED BY APPLYING SEED UNIFORMLY BY HAND, CYCLONE (CENTRIFUGAL) SEEDER, DROP SEEDER, DRILL OR CULTIPACKER SEEDER EXCEPT FOR DRILLED, HYDROSEEDER OR CULTIPACKED SEEDINGS. SEED SHALL BE INCORPORATED INTO THE SOIL WITHIN 24 HOURS OF SEEDBED PREPARATION TO A DEPTH OF 1/4 TO 1/2 INCH. BY RAKING OR DRAGGING, DEPTH OF SEED PLACEMENT MAY BE 1/4 INCH DEEPER ON COARSE TEXTURED SOIL.
 - C. HYDROSEEDING IS A BROADCAST SEEDING METHOD USUALLY INVOLVING A TRUCK OR TRAILER MOUNTED TANK, WITH AN AGITATION SYSTEM AND MOUNTED PUMP FOR MIXING SEED, WATER AND FERTILIZER AND SPRAYING THE MIX ONTO THE PREPARED SEEDBED. MULCH SHALL NOT BE INCLUDED IN THE TANK WITH SEED. SHORT FIBERED MULCH MAY BE APPLIED WITH A HYDROSEEDER FOLLOWING SEEDING. (ALSO SEE SECTION 4 MULCHING BELOW) HYDROSEEDING IS NOT A PREFERRED SEEDING METHOD BECAUSE SEED AND FERTILIZER ARE APPLIED TO THE SURFACE AND NOT INCORPORATED INTO THE SOIL. POOR SEED TO SOIL CONTACT OCCURS REDUCING SEED GERMINATION AND GROWTH. HYDROSEEDING MAY BE USED FOR AREAS TOO STEEP FOR CONVENTIONAL EQUIPMENT TO TRAVERSE OR TOO OBSTRUCTED WITH ROCKS, STUMPS, ETC.
 - D. AFTER SEEDING, FIRING THE SOIL WITH A CORRUGATED ROLLER WILL ASSURE GOOD SEED-TO-SOIL CONTACT, RESTORE CAPILLARITY AND IMPROVE SEEDLING EMERGENCE. THIS IS THE PREFERRED METHOD. WHEN PERFORMED ON THE CONTOUR, SHEET EROSION WILL BE MINIMIZED AND WATER CONSERVATION ON SITE WILL BE MAXIMIZED.
4. **MULCHING**
 - A. MULCHING IS REQUIRED ON ALL SEEDING.
 - B. STRAW OR HAY - UNROTTED SMALL GRAIN STRAW, HAY FREE OF SEEDS, OR OR SALT HAY TO BE APPLIED AT THE RATE OF 1-1/2 TO 2 TONS PER ACRE (70 TO 90 POUNDS PER 1,000 SQUARE FEET), EXCEPT THAT WHERE A CRIMPER IS USED INSTEAD OF A LIQUID MULCH-BINDER (TACKIFYING OR ADHESIVE AGENT), THE RATE OF APPLICATION IS 3 TONS PER ACRE. MULCH CHOPPER-BLOWERS MUST NOT GRIND THE MULCH. HAY MULCH IS NOT RECOMMENDED FOR ESTABLISHING FINE TURF OR LAWNS DUE TO THE PRESENCE OF WEED SEED. STRAW OR HAY MULCH MUST BE ANCHORED IMMEDIATELY AFTER PLACEMENT USING PEG AND TWINE, MULCH NETTING, MECHANICAL CRIMPER OR LIQUID MULCH BINDERS IN ACCORDANCE WITH THE STANDARD.
 - C. WOOD-FIBER OR PAPER-FIBER MULCH - SHALL BE MADE FROM WOOD, PLANT FIBERS OR PAPER CONTAINING NO GROWTH OR GERMINATION INHIBITING MATERIALS, USED AT THE RATE OF 1,500 POUNDS PER ACRE (OR AS RECOMMENDED BY THE PRODUCT MANUFACTURER) AND MAY BE APPLIED BY A HYDROSEEDER. THIS MULCH SHALL NOT BE MIXED IN THE TANK WITH SEED. USE IS LIMITED TO FLATTER SLOPES AND DURING OPTIMUM SEEDING PERIODS IN SPRING AND FALL.
5. **WORK LINE AND FERTILIZER INTO THE SOIL TO A DEPTH OF APPROXIMATELY 4 INCHES. THE FINAL HARROWING OR DISC OPERATION SHOULD BE ON THE GENERAL CONTOUR. CONTINUE TILLAGE UNTIL A REASONABLY UNIFORM SEEDBED IS PREPARED.**
6. REMOVE FROM THE SURFACE ALL STONES 2 INCHES OR LARGER IN ANY DIMENSION AND OTHER DEBRIS SUCH AS WIRE, TREE ROOTS, PIECES OF CONCRETE, CLOSID LUMPS OR OTHER UNSUITABLE MATERIAL.



TOPSOIL STOCKPILE DETAIL



INLET PROTECTION (FILTER BAG) DETAIL

Colliers

Engineering & Design

www.colliersengineering.com

Copyright © 2023, Colliers Engineering & Design All Rights Reserved. This drawing and all the information contained herein is authorized for use only by the party for whom the services were contracted or to whom it is certified. This drawing may not be copied, revised, disclosed, distributed or relied upon for any other purpose without the express written consent of Colliers Engineering & Design.

Doing Business as

PROTECT YOURSELF

ALL STATES REQUIRE NOTIFICATION OF EXCAVATORS, DESIGNERS, OR ANY PERSON PREPARING TO DISTURB THE EARTH'S SURFACE ANYWHERE IN ANY STATE.

Know what's below. Call before you dig.

FOR STATE SPECIFIC DIRECT PHONE NUMBERS VISIT: WWW.CALL811.COM

REV	DATE	DRAWN BY	DESCRIPTION

Joseph R. Venezia
 NEW JERSEY LICENSED PROFESSIONAL ENGINEER
 LICENSE NUMBER: 645473
 COLLIER'S ENGINEERING & DESIGN, INC.
 N.J. C.O.A.# 246A-2798560

BRIANT PARK
HYDRO-RAKING

FOR
UNION COUNTY

BLOCK 3911
LOT 1

CITY OF SUMMIT
UNION COUNTY
NEW JERSEY

RED BANK (Headquarters)

331 Newman Springs Road,
Suite 203
Red Bank, NJ 07701

Phone: 732.383.1950
COLLIERS ENGINEERING & DESIGN, INC.
DOING BUSINESS AS MASER CONSULTING

SCALE: AS SHOWN
PROJECT NUMBER: 22005859G

DATE: 07/18/23
DRAWING NAME: C-SECC

DRAWN BY: MJU
CHECKED BY: JJR

SHEET TITLE
SOIL EROSION & SEDIMENT CONTROL DETAILS AND NOTES
 SHEET NUMBER:
3 of 3